

2018 PARTS CATALOG

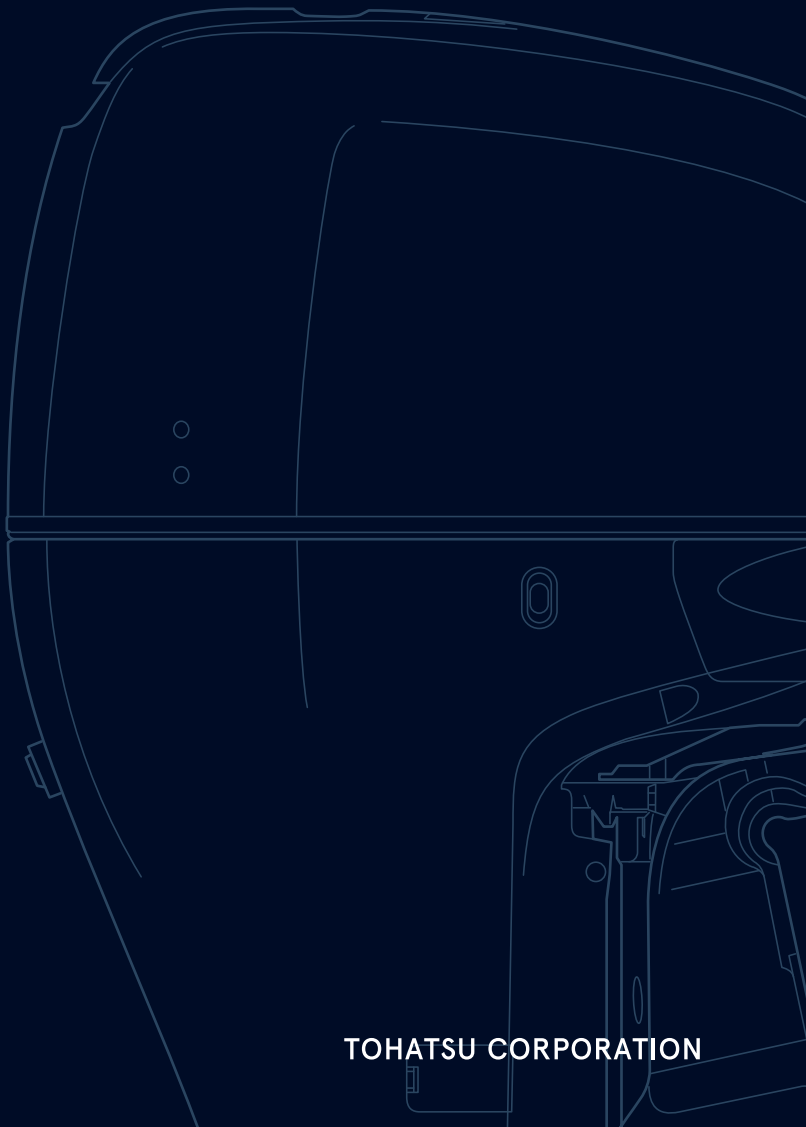


TOHATSU

Feel the Wind™

BFT 115A Model

OB NO.002-14ZX1-0AH 1712 US



TOHATSU CORPORATION

Instruction for use of parts catalogue

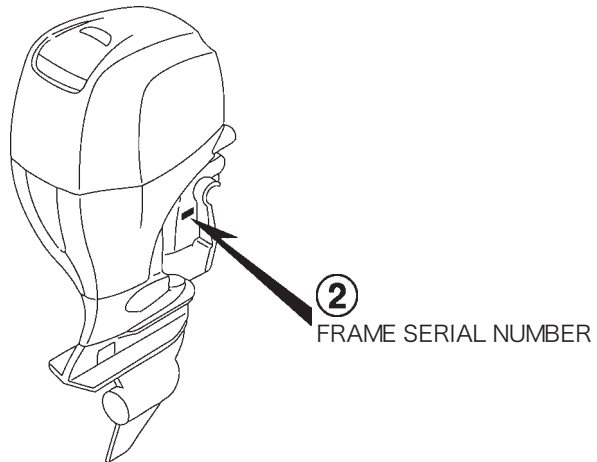
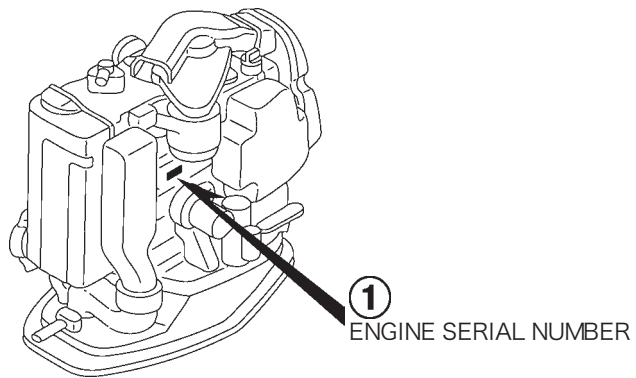
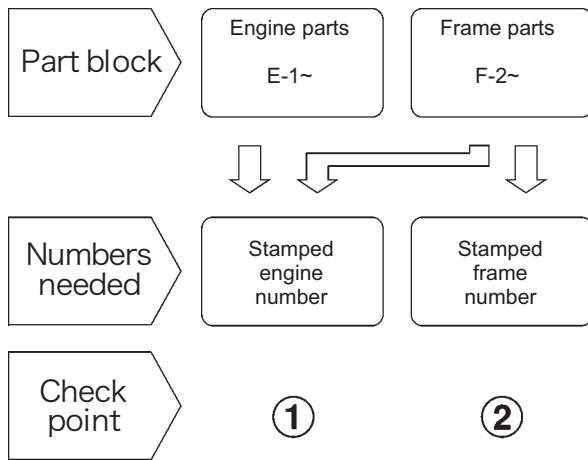
- **This parts catalogue was prepared based on the latest information available as of December 1, 2017.**
- See the Service Bulletin for any revision that is made after December 1, 2017.
- **Always specify the part number when ordering a part.**
 - Check the model, type, serial numbers, color, maker, and the size as needed before ordering a part.
 - Note that the illustrations (part drawings) can differ from the actual parts in shape.
Illustrations are given just to help you to refer to the parts.
- **When modifications or additions to this parts catalogue are made, a revised edition will be issued at an appropriate time, with successively progressing revision numbers on the cover. We recommend obtaining such revisions in order to keep your parts catalogue up-to-date at all times.**

Initial version issue date December 1, 2017

CONTENTS

E-1	CYLINDER HEAD COVER	1
E-3	CYLINDER BLOCK	3
E-4	EXHAUST PIPE	7
E-4-10	WATER HOSE	9
E-5	OIL PUMP/FLYWHEEL	11
E-6	OIL PAN	13
E-7	CRANKSHAFT/PISTON	15
E-9	CAMSHAFT/VALVE	19
E-9-10	CHAIN CASE/THARMOSTAT	23
E-9-20	CYLINDER HEAD	27
E-10	BALANCER SHAFT	31
E-13	A.C.G BELT/SILENCER DUCT	33
E-14	INTAKE MANIFOLD/INJECTOR	35
E-15	THROTTLE BODY	39
E-18	FUEL PUMP/FUEL HOSE	41
E-18-1	WATER SEPARATOR	45
E-18-10	VAPOR SEPARATOR ASSY	47
E-19	A.C.GENERATOR	51
E-20	IGNITION COIL/SPARK PLUG	55
E-20-10	ELECTRONIC CONTROL UNIT	57
E-21	STARTER MOTOR	59
F-2	SHIFT SHAFT	63
F-3	GEAR CASE	67
F-3-10	GEAR CASE ASSY	69
F-3-20	EXTENSION CASE	71
F-4	WATER PUMP/VERTICAL SHAFT	73
F-5	PROPELLER SHAFT/PROPELLER (LA/XA)	77
F-5-1	PROPELLER SHAFT/PROPELLER (XCA)	81
F-6	FUEL TUBE	85
F-7	WIRE HARNESS	87
F-7-10	STARTER CABLE	89
F-7-20	FUSE BOX/RELAY	91
F-7-30	CLAMP	93
F-8	ENGINE COVER ASSY	95
F-8-10	FR.COVER BRACKET/FR.LOCK	97
F-8-20	UNDER COVER	101
F-9	MOUNT CASE	103
F-10	STERN BRACKET/SWIVEL CASE	107
F-11	POWER TRIM-TILT	113
F-12	LABELS	117
F-13	TOOLS	119
FOP-1	RIGGING HOSE KIT	121
FOP-2	METER	123
FOP-6	CONTROL PANEL (1)	125
FOP-6-1	CONTROL PANEL (2)	127
FOP-7	TRIM ADJUST PLATE SET	129
FOP-8	REMOTE CONTROL (TOP MOUNT SINGLE TYPE) (RIGHT)	131
FOP-8-2	REMOTE CONTROL (TOP MOUNT DUAL TYPE) (RIGHT)	135
FOP-8-4	REMOTE CONTROL (FLUSH MOUNT TYPE) (RIGHT)	139
FOP-8-6	REMOTE CONTROL	143
FOP-9	BOLT KIT	149
FOP-10	WATER PUMP IMPELLER KIT (1)	151
FOP-10-1	WATER PUMP IMPELLER KIT (2)	153
FOP-11	INTERFACE CABLE KIT	155
FOP-12	TROLLING CONTROL SWITCH	157
FOP-13	SPEED SENSOR TUBE KIT	159
INDEX		161
INDEX (Parts Number)		167

How to check the part block and serial numbers



Models, parts catalogue codes and applicable serial numbers

- Models, parts catalogue codes and applicable serial Nos. given in this parts catalogue can be identified as follows.

Model	Type	Parts catalogue type	Engine		Applicable engine serial No.	Applicable frame serial No.
			Model	Type		
BFT 115A	LA	LA	BFT 115D	SE1	BEBHJ-1000001~	BBHJ-6000079~
	XA	XA				
	XCA	XCA				BBHJ-7000001~

Features of each type

- See the following table for the features of each type. (Items in brackets are optional)

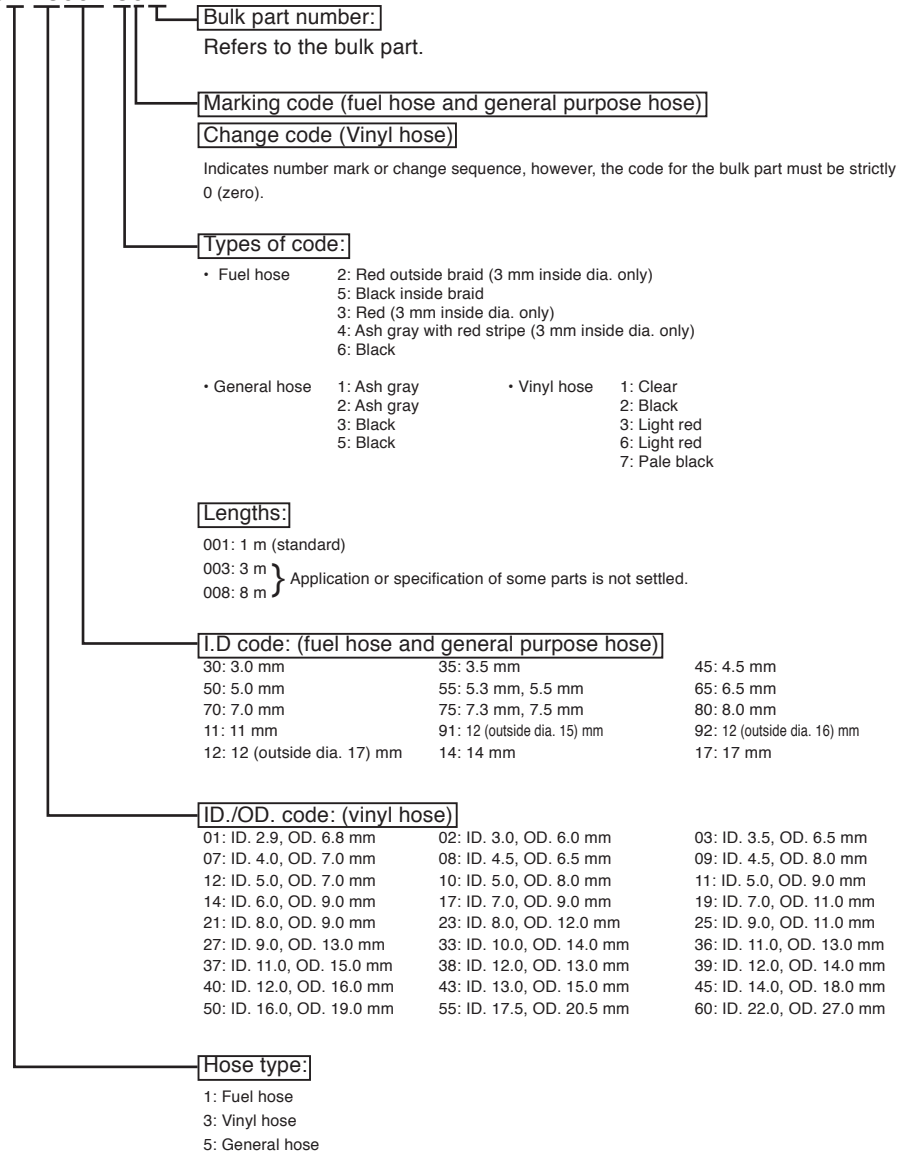
Specifications		Model	BFT 115A		
		Type	LA	XA	XCA
Transom height	508 mm		●		
	635 mm			●	●
Counter rotation					●
Propeller	14-1/2 x 15		(●)	(●)	(●)
	14-1/4 x 17		(●)	(●)	(●)
	14 x 19		(●)	(●)	(●)
	14 x 21		(●)	(●)	(●)
	14-1/2 x 23		(●)	(●)	(●)
	14 x 25		(●)	(●)	
	15-1/2 x 13		(●)	(●)	
	15-1/4 x 15		(●)	(●)	
	15 x 17		(●)	(●)	
	14-3/4 x 19		(●)	(●)	
	14-1/2 x 21		(●)	(●)	
	14-1/4 x 23		(●)	(●)	

Fuel hose, general purpose hoses and vinyl hose

- The standard part fuel hose, general purpose hose and vinyl hose may be substituted by the coiled bulk part.
- When ordering the standard part fuel hose, general purpose hose and vinyl hose use the bulk part number written in the parts catalog in brackets () underneath the part name.
- When exchanging the hose, cut and use at the specified length as mentioned in the part name. (For the method of cutting the bulk part, and method of filling out orders etc., please refer to the instructions issued with the bulk part.)

Bulk part number of fuel hose, general purpose hose and vinyl hose.

Example: 95001-75001-50M

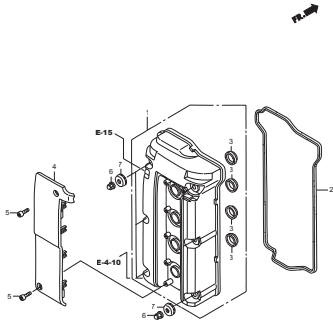


CAUTION: It is DANGEROUS to confuse the fuel hose with the general purpose hose or vinyl hose.

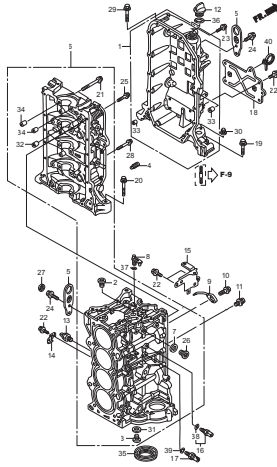
Never use a general purpose hose or vinyl hose in place of a fuel hose or vice versa.

Always use the correct bulk part in the parts catalogue, according to the service manual or the instructions issued with the bulk part.

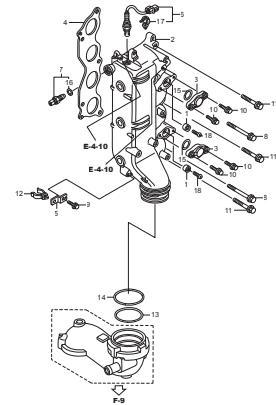
E-1 CYLINDER HEAD COVER



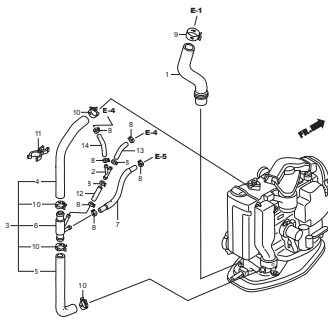
E-3 CYLINDER BLOCK



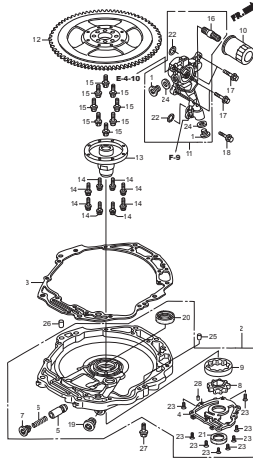
E-4 EXHAUST PIPE



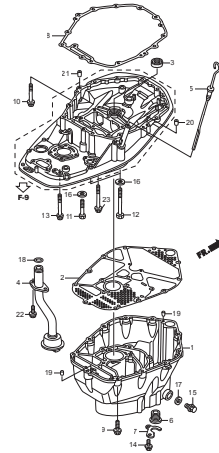
E-4-10 WATER HOSE



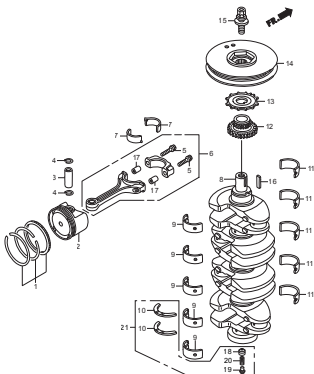
E-5 OIL PUMP/FLYWHEEL



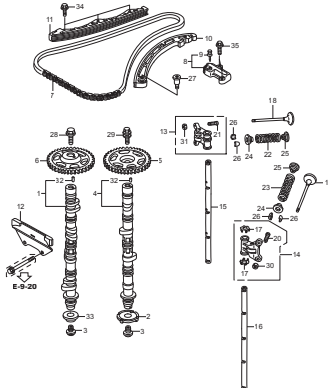
E-6 OIL PAN



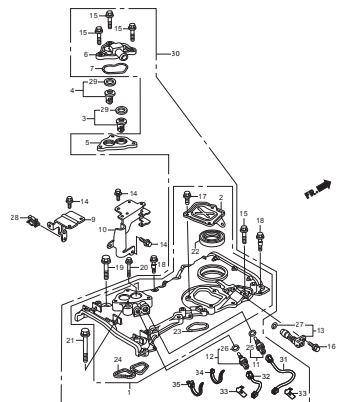
E-7 CRANKSHAFT/PISTON



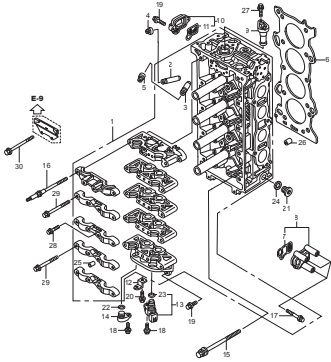
E-9 CAMSHAFT/VALVE



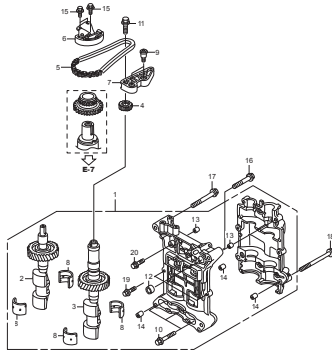
E-9-10 CHAIN CASE/THERMOSTAT



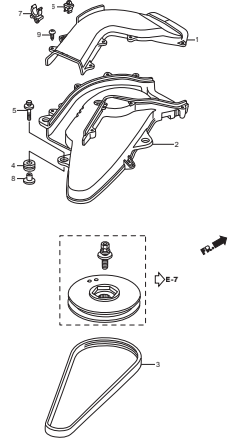
E-9-20 CYLINDER HEAD



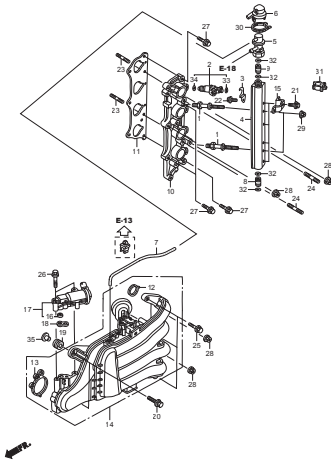
E-10 BALANCER SHAFT



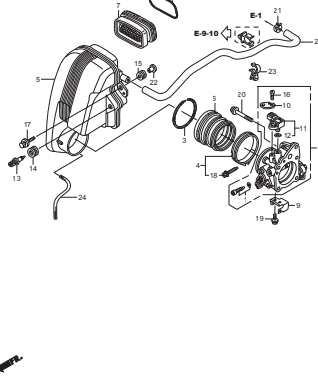
E-13 A.C.G BELT/SILENCER DUCT



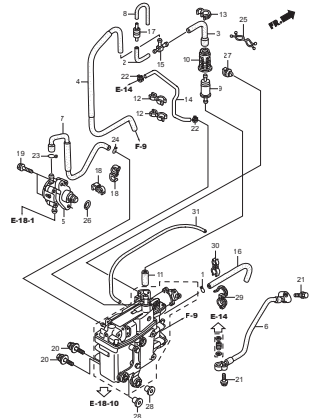
E-14 INTAKE MANIFOLD/INJECTOR



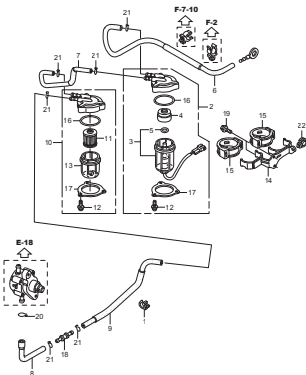
E-15 THROTTLE BODY



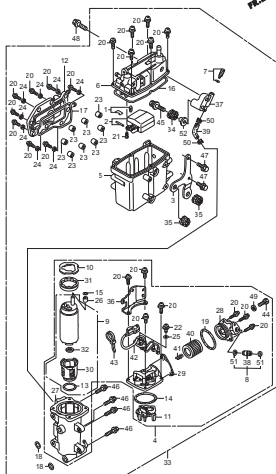
E-18 FUEL PUMP/FUEL HOSE



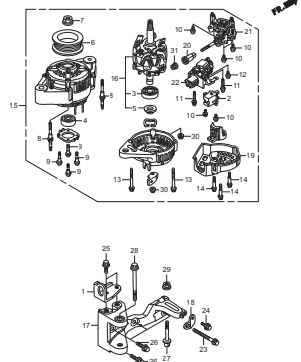
E-18-1 WATER SEPARATOR



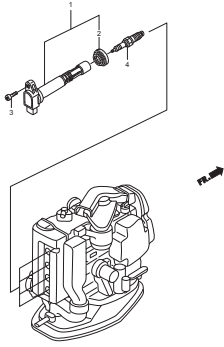
E-18-10 VAPOR SEPARATOR ASSY



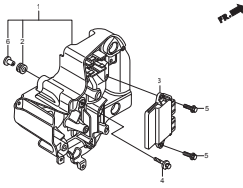
E-19 A.C.GENERATOR



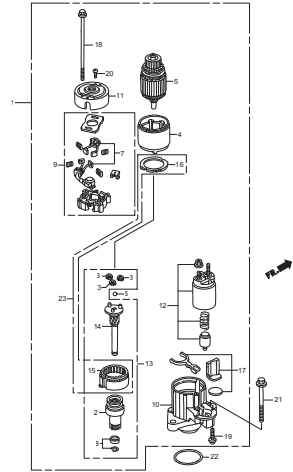
E-20 IGNITION COIL/SPARK PLUG



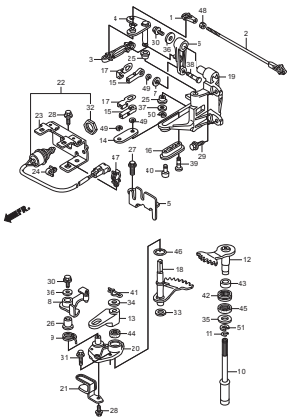
E-20-10 ELECTRONIC CONTROL UNIT



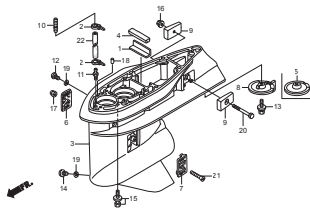
E-21 STARTER MOTOR



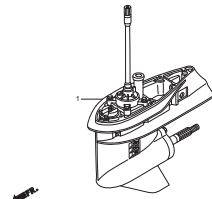
F-2 SHIFT SHAFT



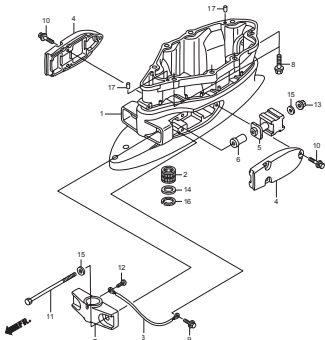
F-3 GEAR CASE



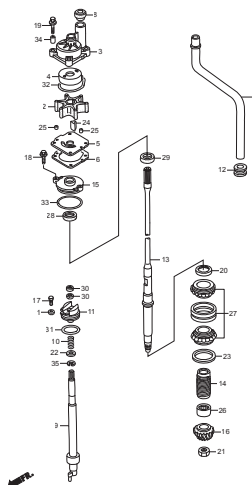
F-3-10 GEAR CASE ASSY



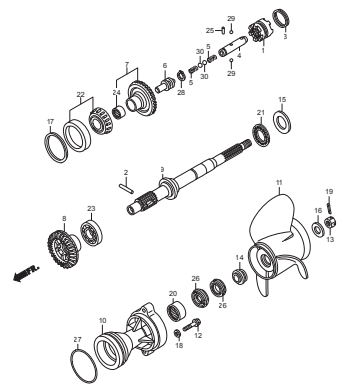
F-3-20 EXTENSION CASE



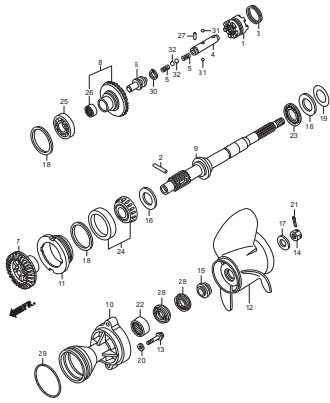
F-4 WATER PUMP/VERTICAL SHAFT



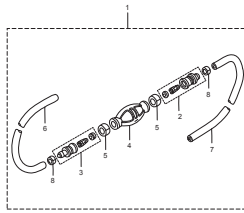
F-5 PROPELLER SHAFT/PROPELLER (LA/XA)



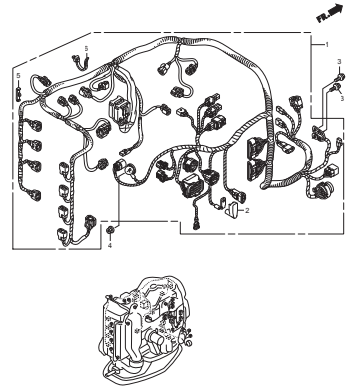
F-5-1 PROPELLER SHAFT/PROPELLER (XCA)



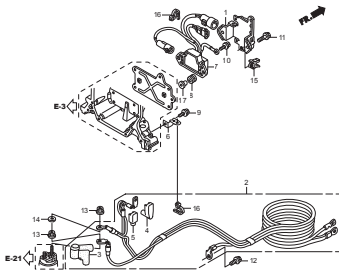
F-6 FUEL TUBE



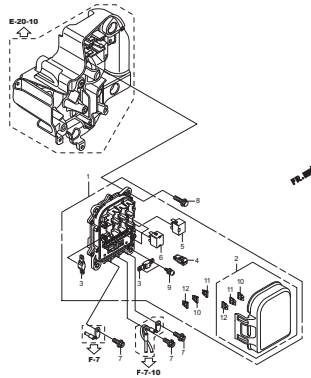
F-7 WIRE HARNESS



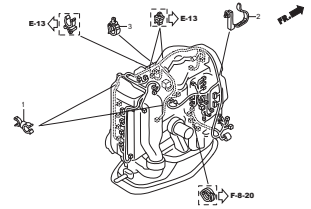
F-7-10 STARTER CABLE



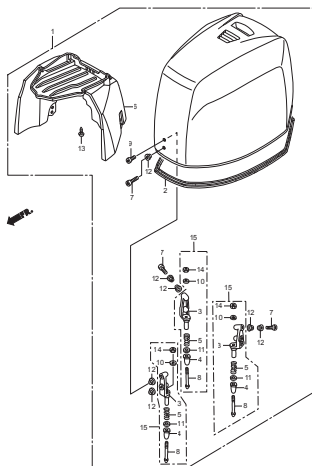
F-7-20 FUSE BOX/RELAY



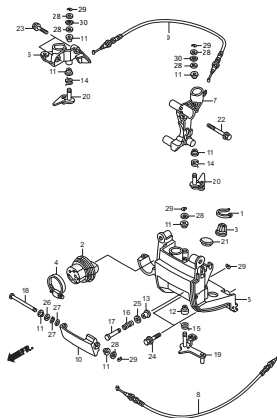
F-7-30 CLAMP



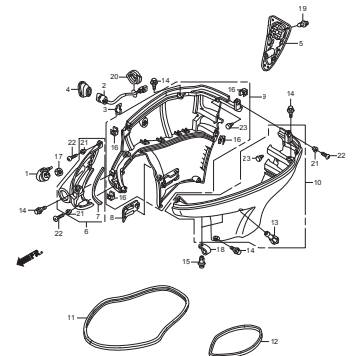
F-8 ENGINE COVER ASSY



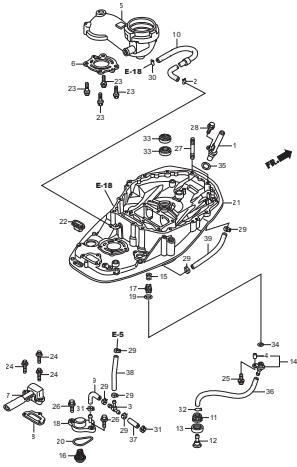
F-8-10 FR.COVER BRACKET/FR.LOCK



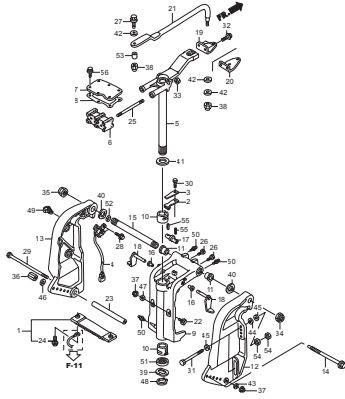
F-8-20 UNDER COVER



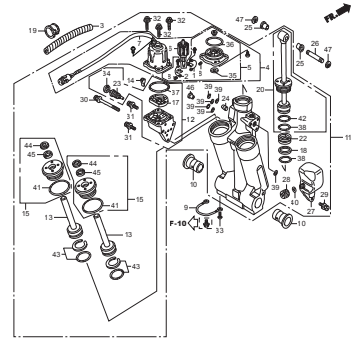
F-9 MOUNT CASE



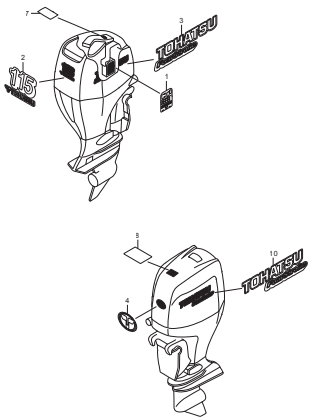
F-10 STERN BRACKET/SWIVEL CASE



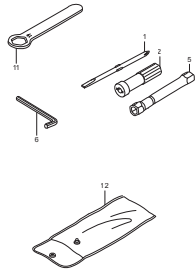
F-11 POWER TRIM-TILT



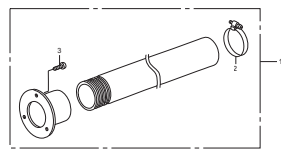
F-12 LABELS



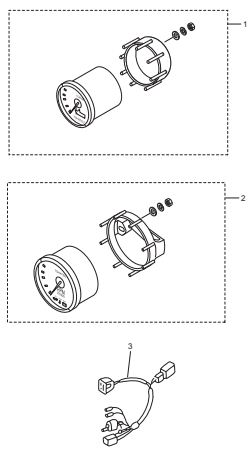
F-13 TOOLS



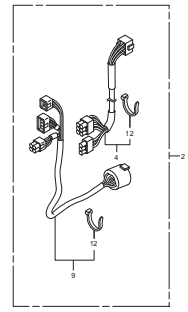
FOP-1 RIGGING HOSE KIT



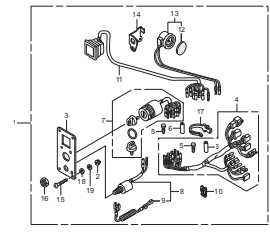
FOP-2 METER



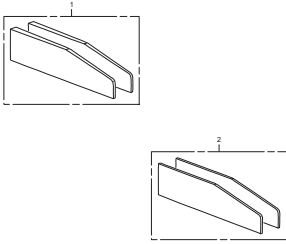
FOP-6 CONTROL PANEL (1)



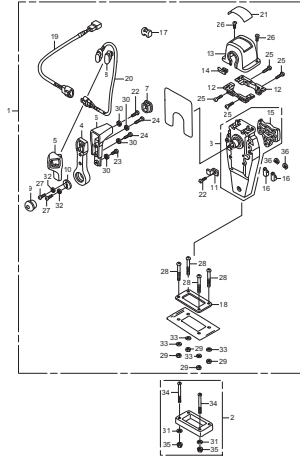
FOP-6-1 CONTROL PANEL (2)



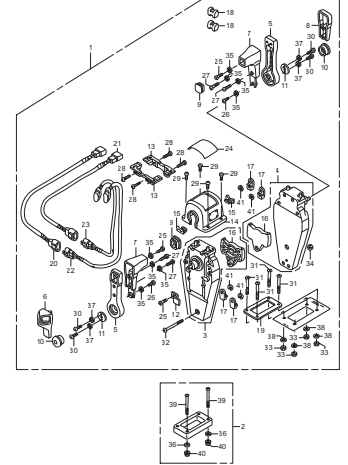
FOP-7 TRIM ADJUST PLATE SET



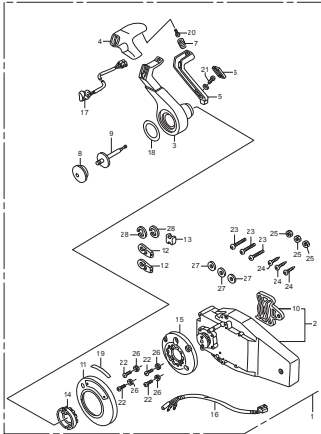
FOP-8 REMOTE CONTROL (TOP MOUNT SINGLE TYPE) (RIGHT)



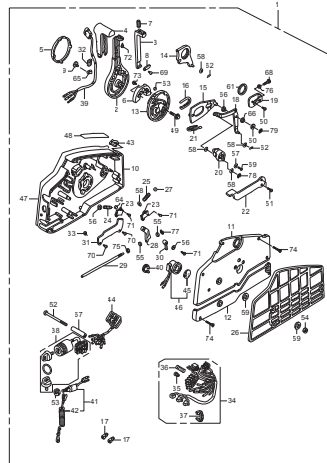
FOP-8-2 REMOTE CONTROL (TOP MOUNT DUAL TYPE) (RIGHT)



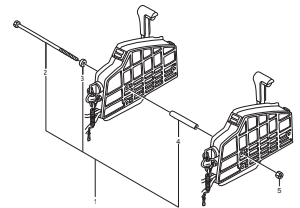
FOP-8-4 REMOTE CONTROL (FLUSH MOUNT TYPE) (RIGHT)



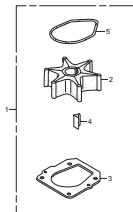
FOP-8-6 REMOTE CONTROL



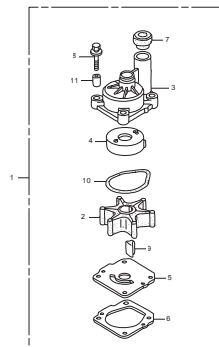
FOP-9 BOLT KIT



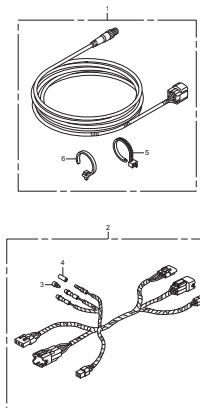
FOP-10 WATER PUMP IMPELLER KIT (1)



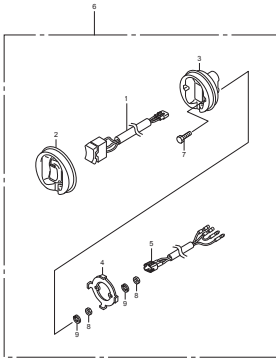
FOP-10-1 WATER PUMP IMPELLER KIT (2)



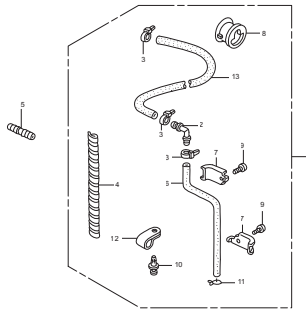
FOP-11 INTERFACE CABLE KIT

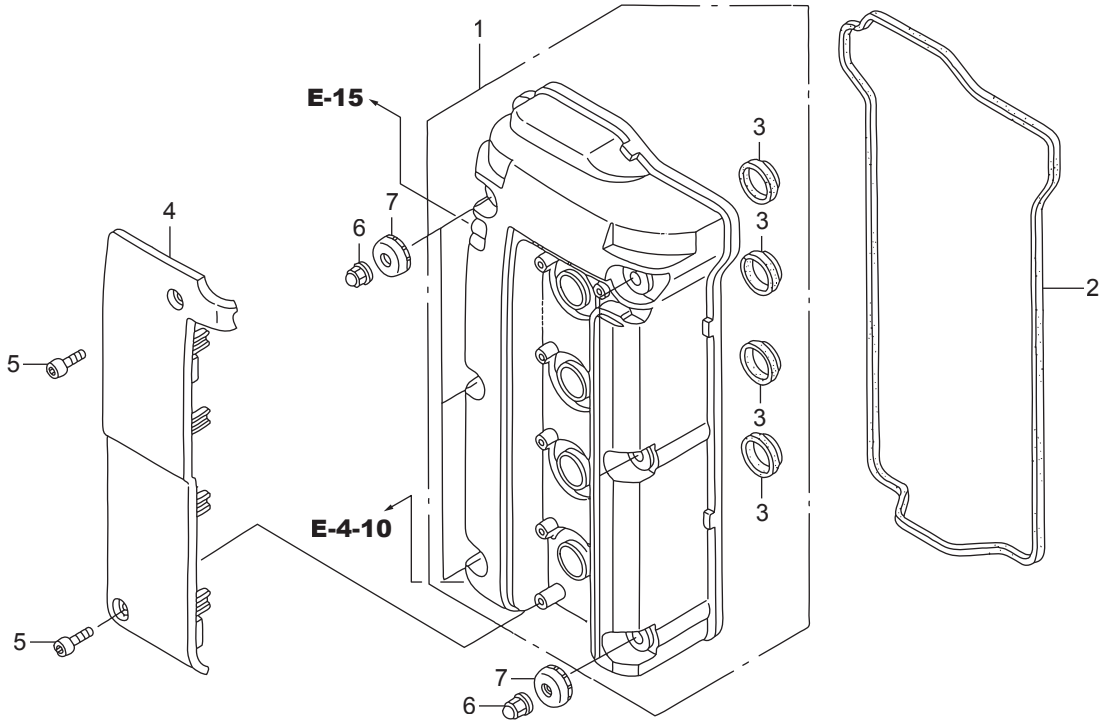


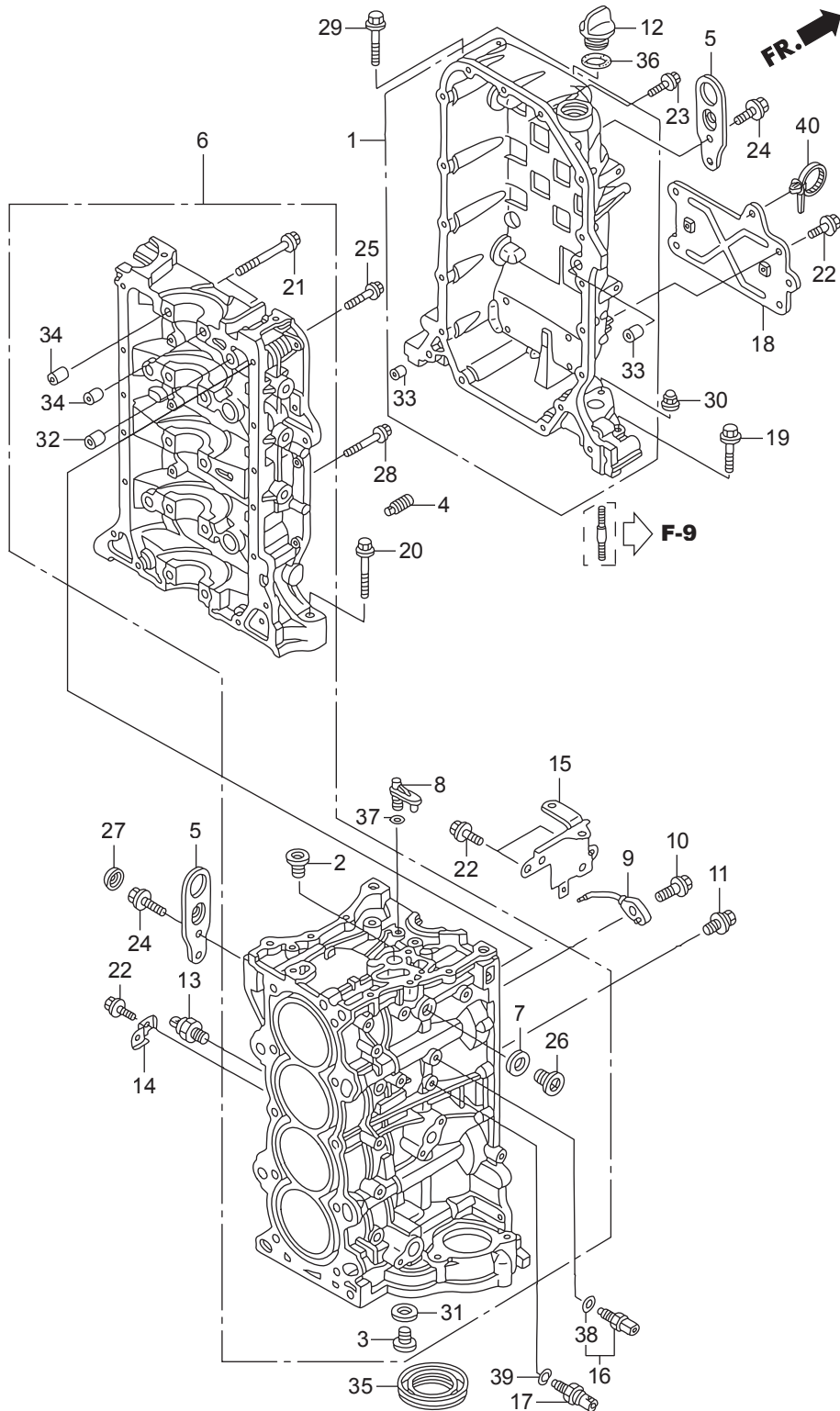
FOP-12 TROLLING CONTROL SWITCH



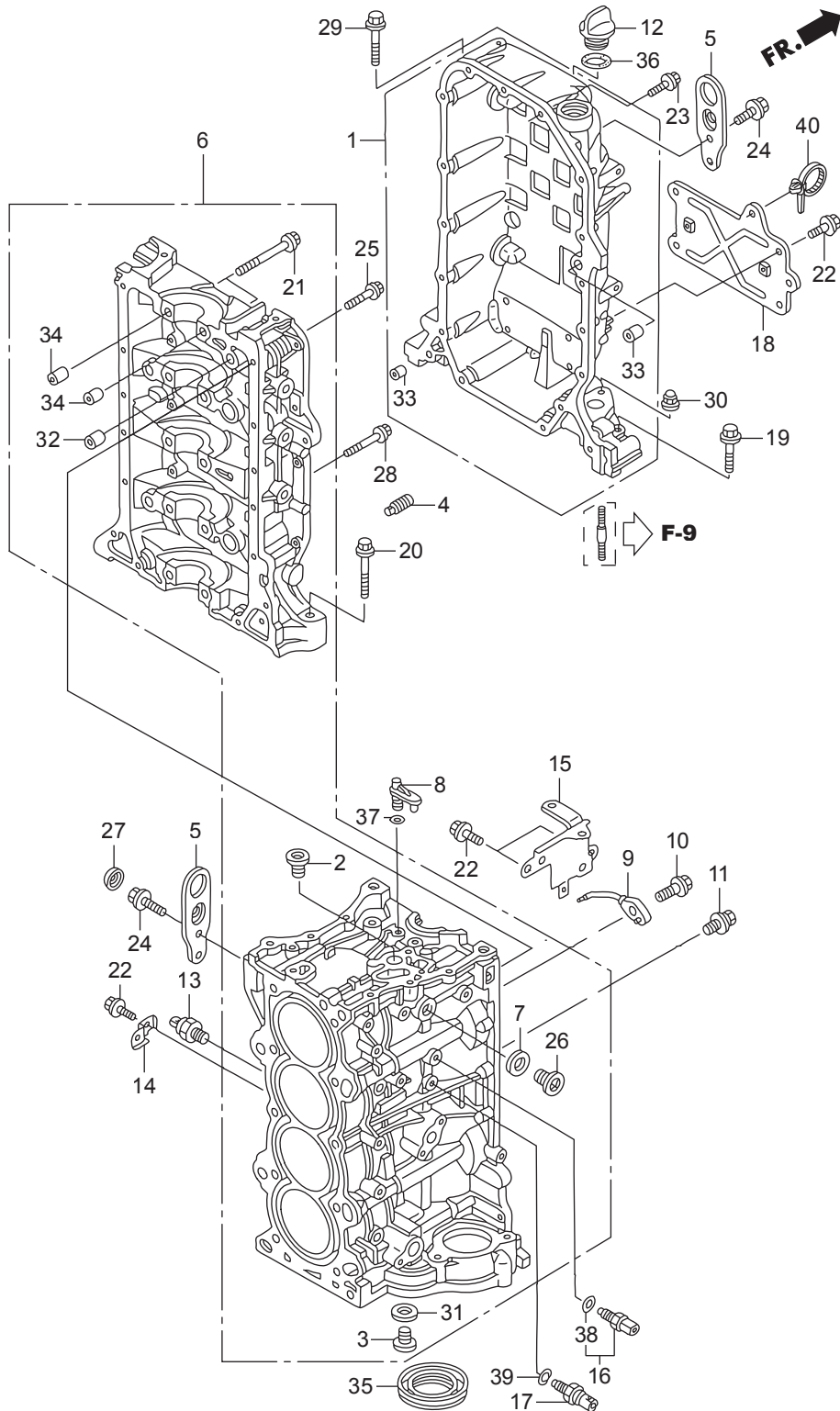
FOP-13 SPEED SENSOR TUBE KIT





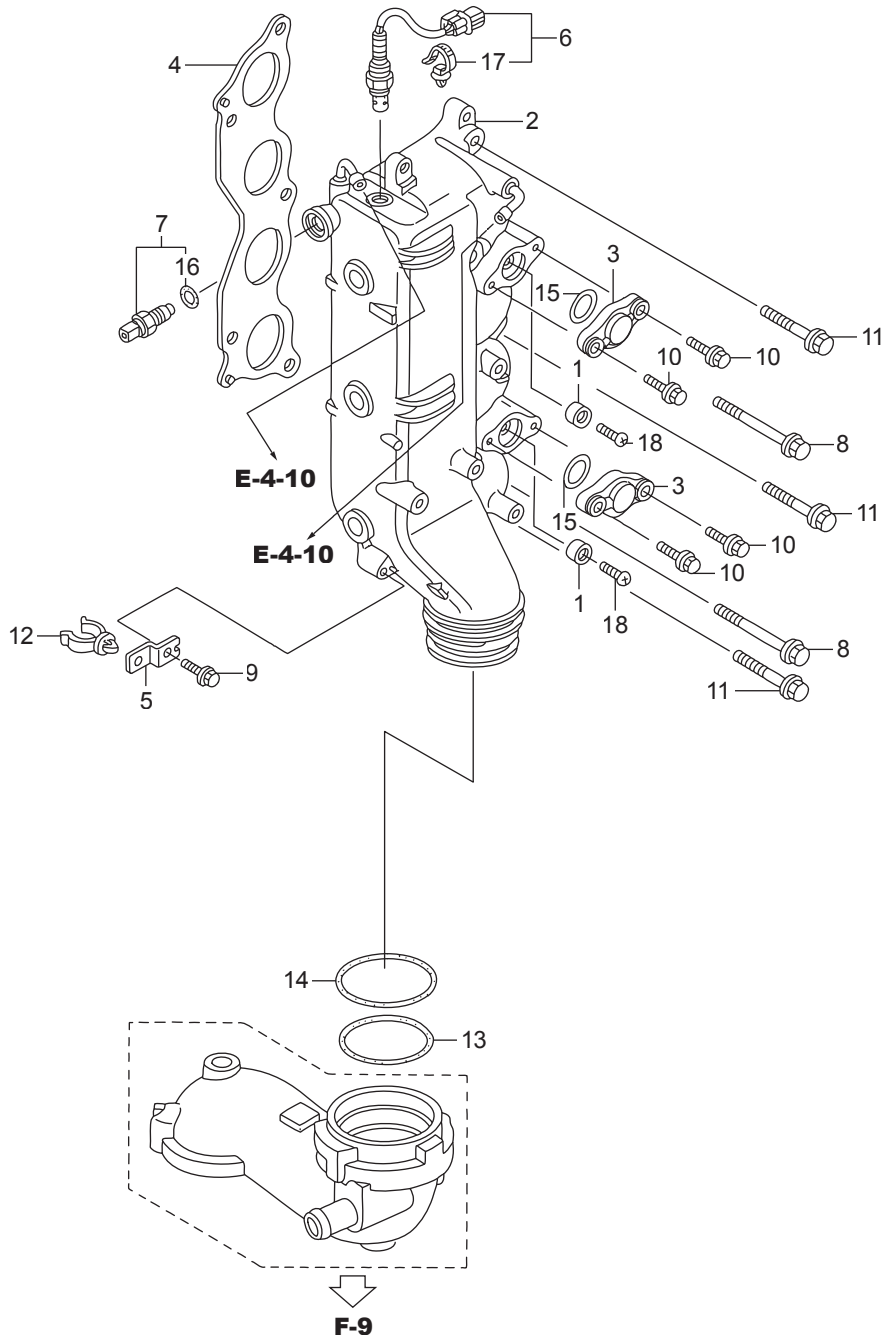


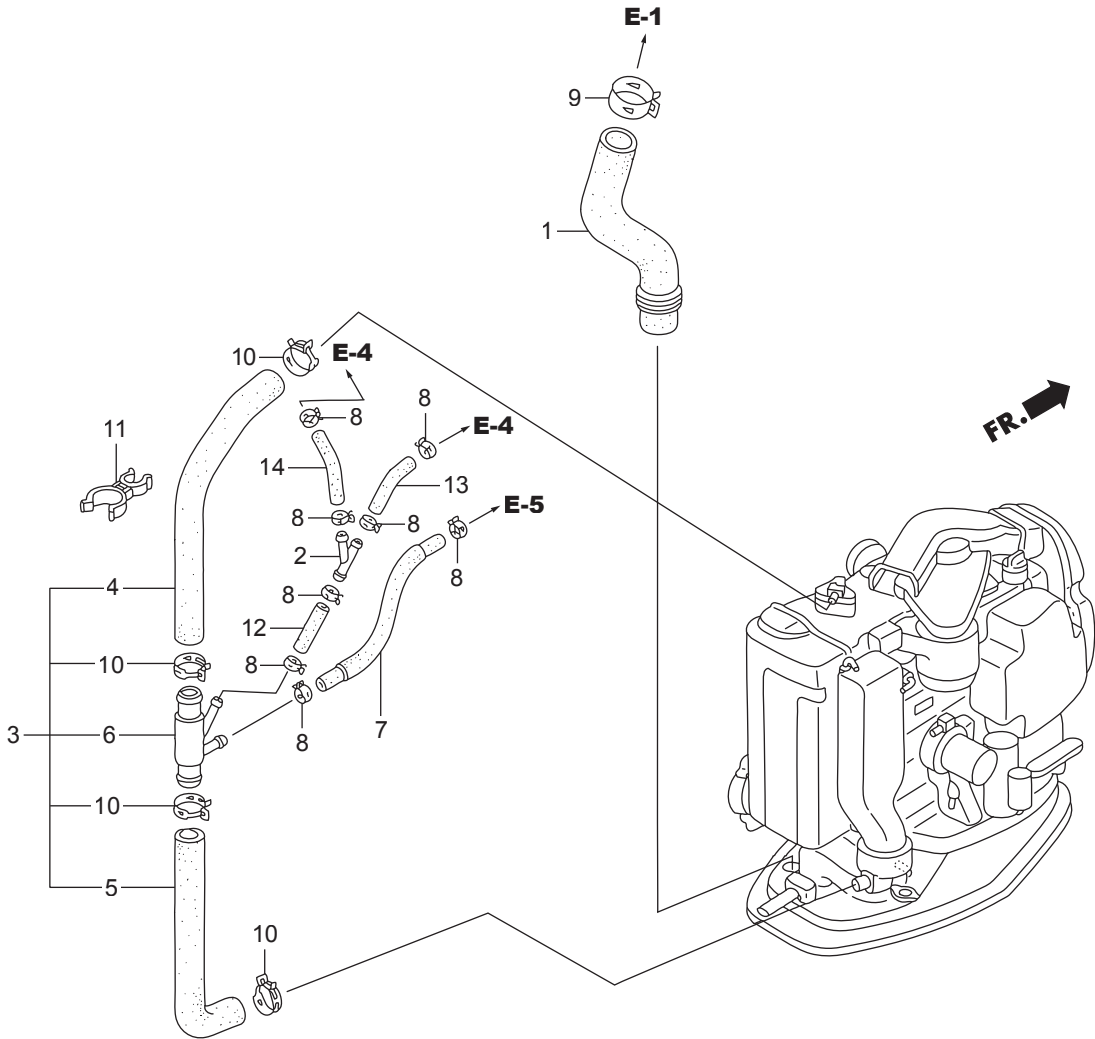
Ref.No.	Part No.	Description	Q' ty	Remarks	
			BFT115A		
E-3	1	HZY6-11100-405	CRANKCASE COMP.	1	
E-3	2	HPNA-11106-300	BOLT, SEALING, 20MM	1	
E-3	3	HPR4-11106-013	BOLT, SEALING, 28MM	1	
E-3	4	HPNA-11135-000	ORIFICE, LOWER BLOCK	1	
E-3	5	HZY6-11911-000	HANGER, ENGINE	2	
E-3	6	HZY6-12000-415ZA	BLOCK ASSY., CYLINDER	1	*NH8* DARK GRAY
E-3	7	HZV5-12214-000	WASHER, SEALING(22MM)	1	
E-3	8	HZY6-15152-000	ORIFICE, OIL JET	1	
E-3	9	HPRB-15280-A00	BODY COMP., OIL JET	2	
E-3	10	HPRA-15290-000	BOLT COMP., OIL JET	2	
E-3	11	HZY6-15299-000	BOLT-WASHER, 8X10	2	
E-3	12	H921-15611-000	CAP, OIL(YELLOW)	1	
E-3	13	HZY6-30530-003	SENSOR ASSY., KNOCK	1	
E-3	14	HZW9-32114-730	BRACKET, CLIP B	1	
E-3	15	HZY6-32114-010	BRACKET D, HARNESS CLIP	1	
E-3	16	HZY3-35673-003	SENSOR ASSY., WATER TEMPERATURE	1	
E-3	17	HRNA-37260-A01	SENSOR, OIL PRESSURE	1	
E-3	18	HZY6-38552-000	BRACKET, RELAY	1	
E-3	19	HZY6-90001-000	BOLT, FLANGE, 8X55	2	
E-3	20	HZY6-90005-000	BOLT, FLANGE, 12X83	1	
E-3	21	HPNA-90006-003	BOLT-WASHER, 11X95	10	
E-3	22	HZW9-90011-000	BOLT, FLANGE, 6X14(CT200)	7	
E-3	23	HZW9-90016-000	BOLT, FLANGE, 6X25	18	
E-3	24	HZY3-90026-000	BOLT, FLANGE, 8X20	4	
E-3	25	HZY3-90054-000	BOLT, FLANGE, 8X35	10	
E-3	26	HZV5-90081-010	BOLT, SEALING, 22MM	1	
E-3	27	HZY6-90082-003	CAP, BOLT, 8MM	1	
E-3	28	HZW4-90156-000	BOLT, FLANGE, 8X50	4	
E-3	29	HZW4-90162-000	BOLT, FLANGE, 10X70	1	



E-4

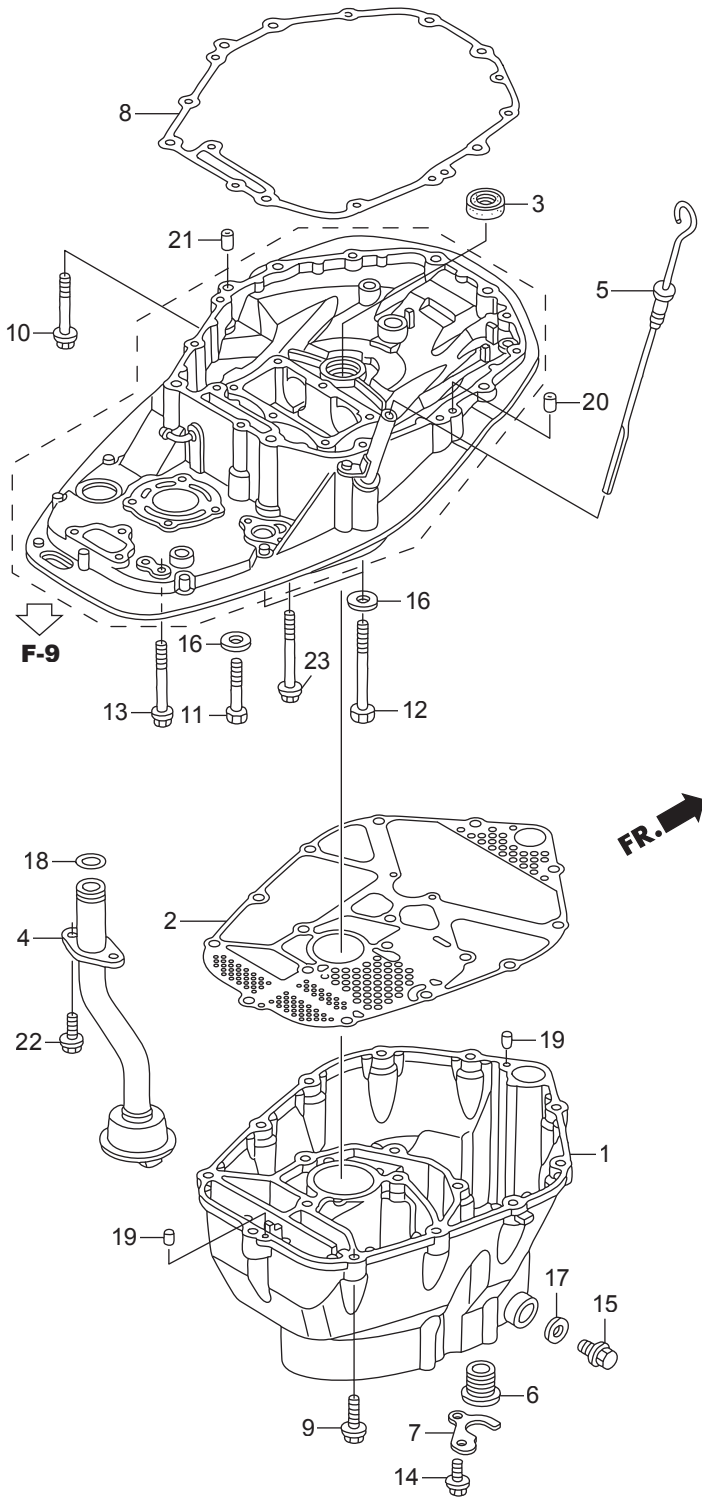
EXHAUST PIPE



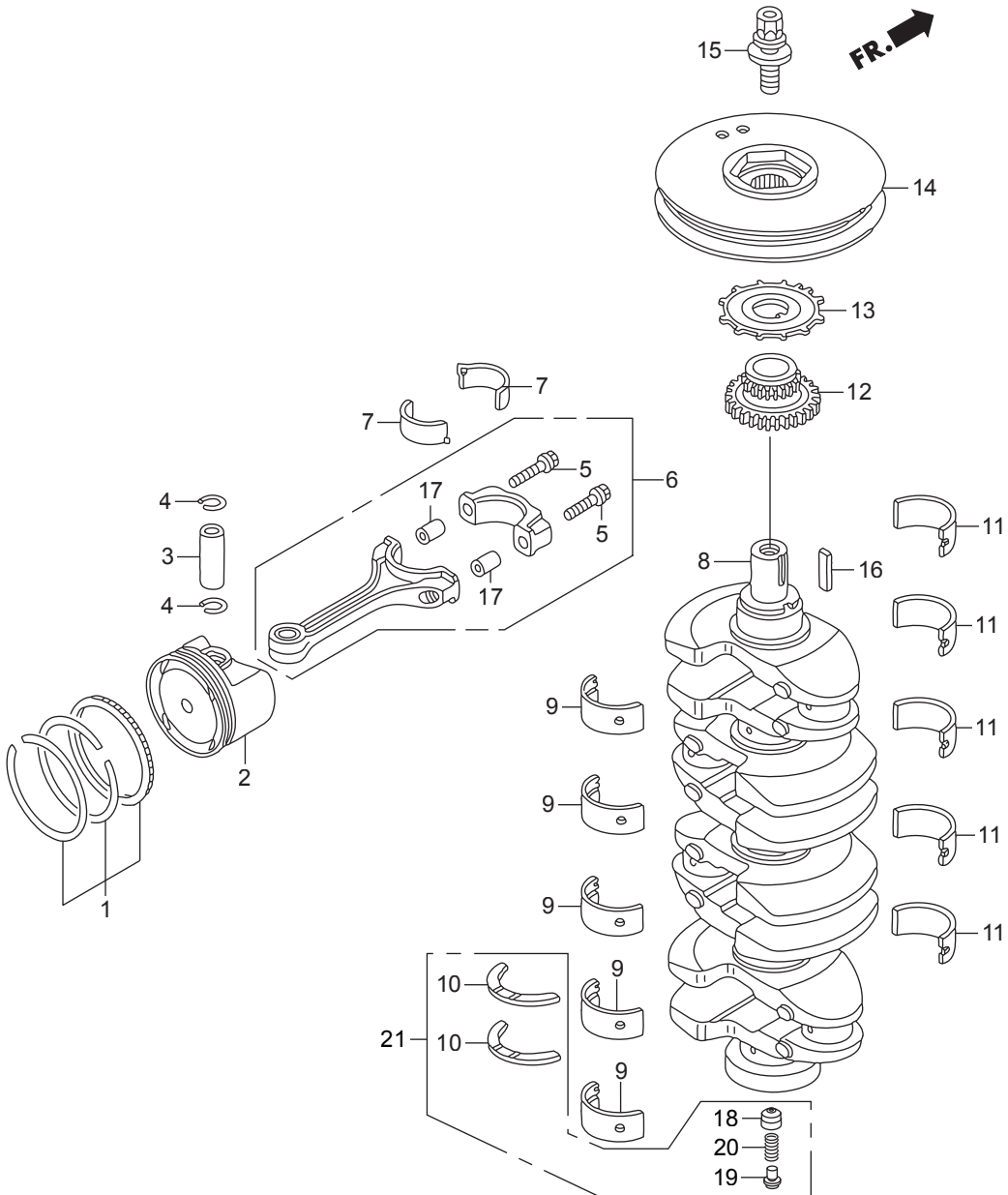


Ref.No.	Part No.	Description	Q' ty	Remarks	
			BFT115A		
E-5	1	HZW1-12217-010	BOLT, SEALING, 20MM	2	
E-5	2	HZY6-15100-000ZA	PUMP ASSY., OIL	1	*NH8* DARK GRAY
E-5	3	HZY6-15112-000	PACKING, OIL PUMP BODY	1	
E-5	4	HZY6-15121-000	COVER, OIL PUMP	1	
E-5	5	HPE0-15231-000	VALVE, RELIEF	1	
E-5	6	HPG6-15232-000	SPRING, RELIEF VALVE	1	
E-5	7	HPC6-15233-000	BOLT, SEALING, 18MM	1	
E-5	8	HZW5-15331-003	ROTOR, INNER OIL PUMP	1	
E-5	9	HZW5-15341-003	ROTOR, OUTER OIL PUMP	1	
E-5	10	HRTA-15400-004	CARTRIDGE, OIL FILTER	1	(TOYO ROKI)
E-5	11	HZY6-15410-010ZA	FLANGE COMP., OIL FILTER	1	*NH8* DARK GRAY
E-5	12	HZY6-31110-000ZA	FLYWHEEL COMP.	1	*TBLACK* BLACK
E-5	13	HZY3-31116-000	BOSS, FLYWHEEL	1	
E-5	14	HZW5-90002-013	BOLT, SPECIAL, 8MM	8	
E-5	15	HPH3-90011-000	BOLT, FLANGE, 12MM	8	
E-5	16	HPH1-90015-013	HOLDER, OIL FILTER	1	
E-5	17	HZW9-90016-000	BOLT, FLANGE, 6X25	4	
E-5	18	HZW5-90018-000	BOLT, FLANGE, 6X20	1	
E-5	19	HZV5-90081-010	BOLT, SEALING, 22MM	2	
E-5	20	HZW5-91201-003	OIL SEAL, 46X60X9	1	
E-5	21	HP01-91212-003	OIL SEAL, 31X46X7(NOK)	1	
E-5	22	HVD6-91360-003	O-RING, 22.5X2.4	2	
E-5	23	HCO-93600-06016-0A	SCREW, FLAT, 6X16	9	
E-5	24	HCO-94109-20000	WASHER, DRAIN PLUG, 20MM	2	
E-5	25	HCO-94301-10160	DOWEL PIN, 10X16	1	
E-5	26	HCO-94301-14200	DOWEL PIN, 14X20	1	
E-5	27	HCO-95701-08032-08	BOLT, FLANGE, 8X32	5	
E-5	28	HCO-96220-50080	ROLLER, 5X8	2	

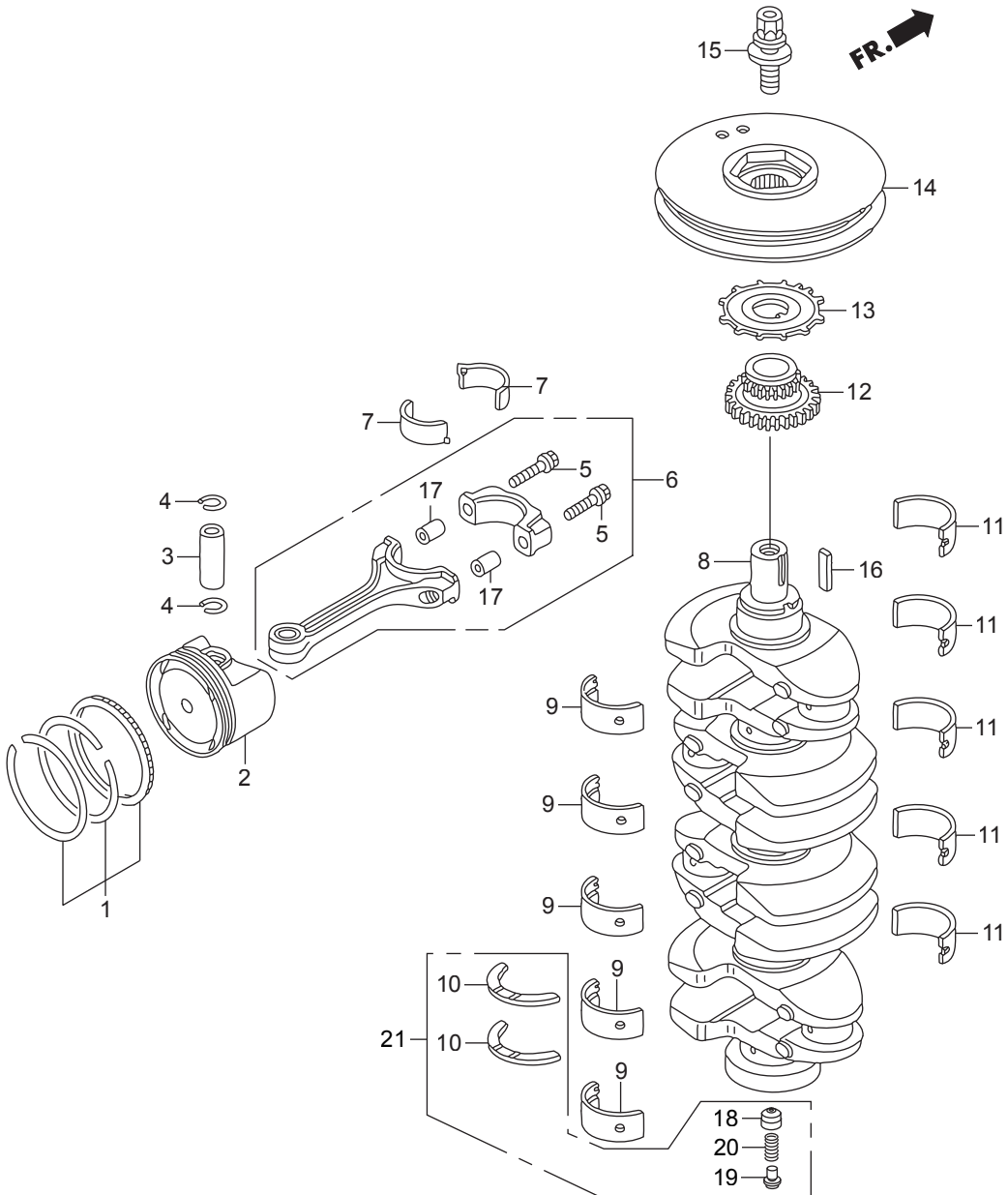
E-6 OIL PAN

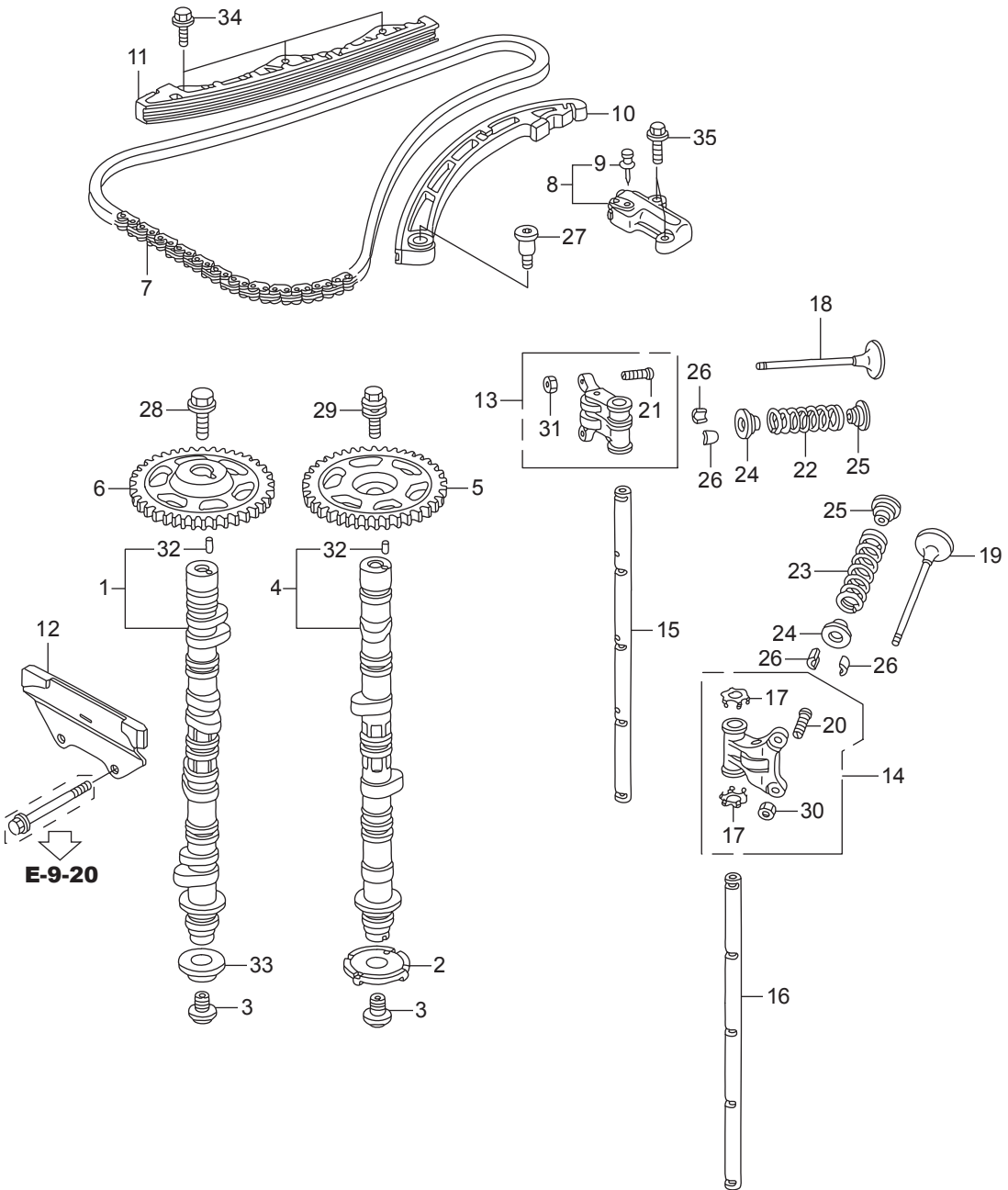


Ref.No.	Part No.	Description	Q' ty	Remarks	
			BFT115A		
E-6	1	HZY6-11321-010ZB	CASE, OIL	1	*TGRAY* GRAY
E-6	2	HZY6-11381-010	PACKING, OIL PAN	1	
E-6	3	HZW5-15113-000	RUBBER, OIL PUMP	1	
E-6	4	HZY6-15220-010	STRAINER COMP., OIL	1	
E-6	5	HZY6-15655-000	GAUGE COMP., OIL LEVEL	1	
E-6	6	HZW1-19252-000	GROMMET, WATER TUBE	1	
E-6	7	HZY6-19254-000	PLATE, WATER TUBE	1	
E-6	8	HZY6-23172-000	GASKET, MOUNT CASE	1	
E-6	9	HZY6-90002-000	BOLT, FLANGE, 10X40	16	
E-6	10	HZY6-90017-000	BOLT, FLANGE, 10X80	1	
E-6	11	HZY6-90018-000	BOLT, HEX., 12X70	1	
E-6	12	HZY6-90019-000	BOLT, HEX., 12X130	2	
E-6	13	HZY3-90046-000	BOLT, FLANGE, 8X100	1	
E-6	14	HZW9-90102-000	BOLT, FLANGE, 6X12	1	
E-6	15	HZV5-90131-000	BOLT, DRAIN PLUG	1	
E-6	16	HZV5-90559-000	WASHER, PLAIN, 12MM	3	
E-6	17	HZE2-90601-000	WASHER, DRAIN PLUG, 12MM	1	
E-6	18	HPC6-91324-000	O-RING, 20.6X2.6	1	
E-6	19	HCO-94301-06100	DOWEL PIN, 6X10	2	
E-6	20	HCO-94301-10160	DOWEL PIN, 10X16	1	
E-6	21	HCO-94301-14200	DOWEL PIN, 14X20	1	
E-6	22	HCO-95701-06018-09	BOLT, FLANGE, 6X18	2	
E-6	23	HCO-95701-10110-09	BOLT, FLANGE, 10X110	2	

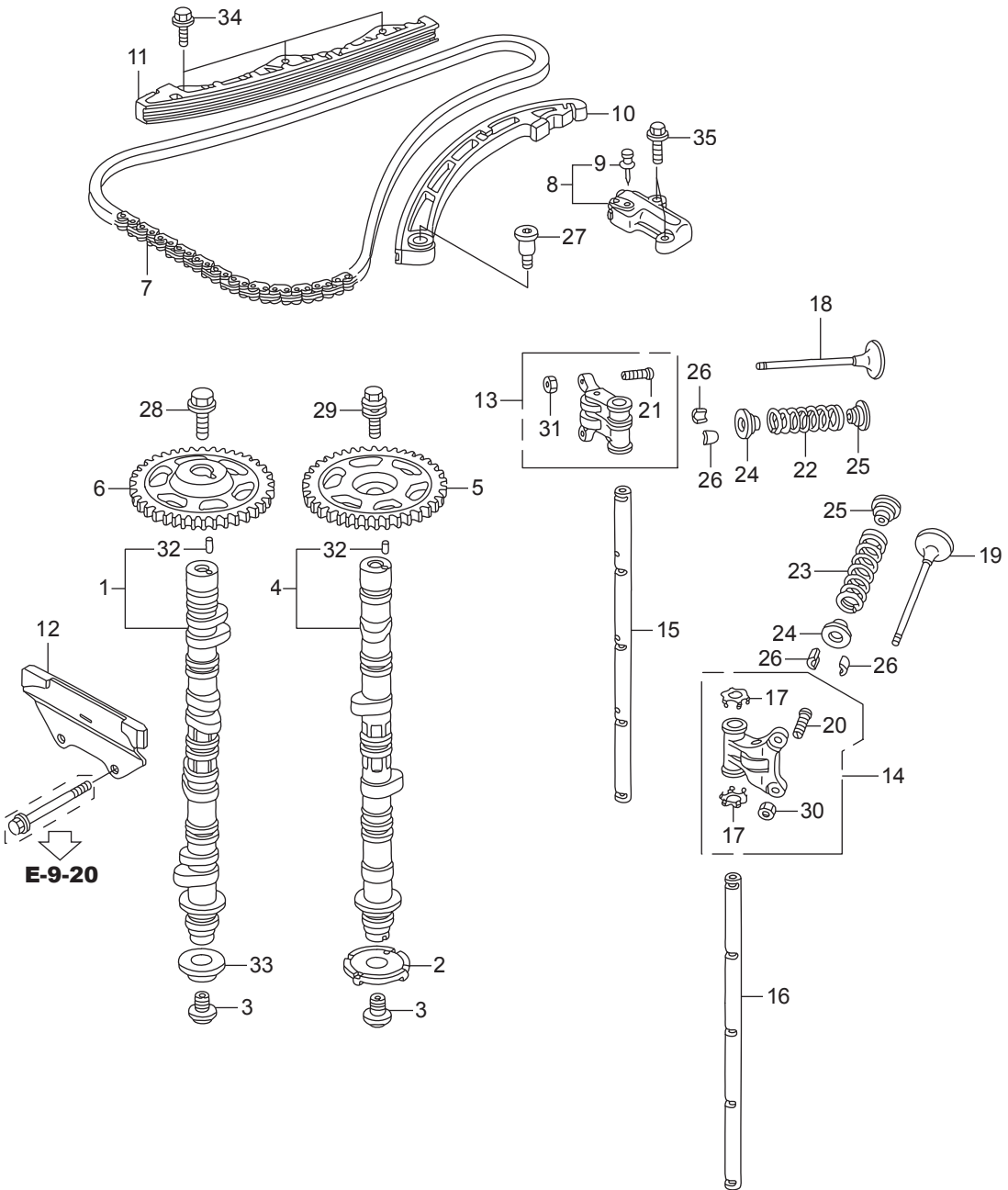


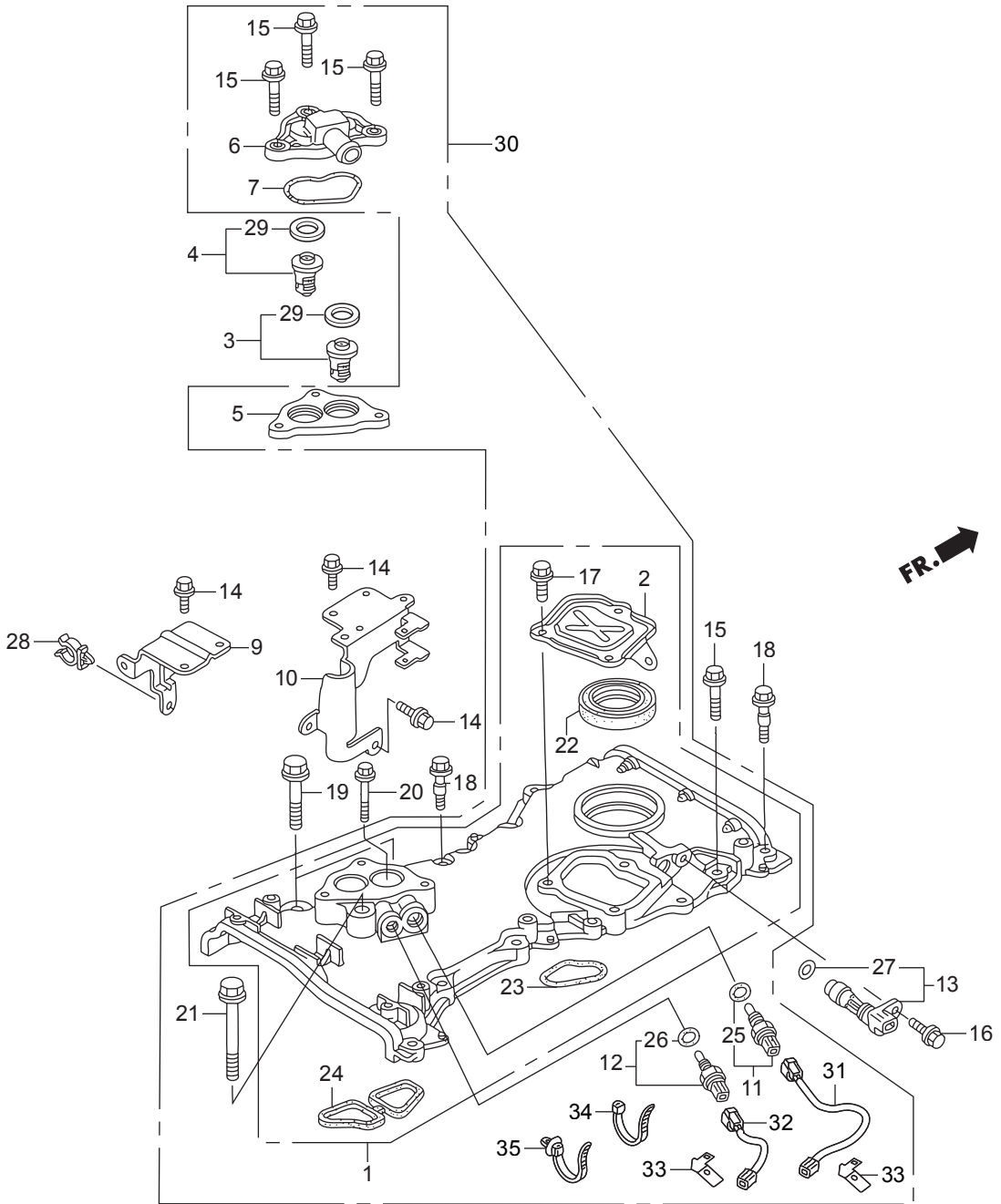
Ref.No.	Part No.	Description	Q' ty	Remarks	
			BFT115A		
E-7	1	HZY6-13010-000	RING SET, PISTON(STD.)	4	
E-7	2	HZY6-13101-000	PISTON A	4	
E-7	2	HZY6-13102-000	PISTON B	4	
E-7	3	HPNA-13111-010	PIN, PISTON	4	
E-7	4	HP5A-13115-000	CLIP, PISTON PIN	8	
E-7	5	HP8A-13204-A01	BOLT, CONNECTING ROD	8	#~1005879
E-7	5	HRBB-13204-004	BOLT, CONNECTING ROD	8	#1005880~
E-7	6	HPPA-13210-000	ROD COMP., CONNECTING	4	#~1005879
E-7	6	HR40-13210-A00	ROD COMP., CONNECTING	4	#1005880~
E-7	7	HZY6-13211-004	BEARING A, CONNECTING ROD (BLUE)	8	
E-7	7	HZY6-13212-004	BEARING B, CONNECTING ROD (BLACK)	8	
E-7	7	HZY6-13213-004	BEARING C, CONNECTING ROD (BROWN)	8	
E-7	7	HZY6-13214-004	BEARING D, CONNECTING ROD (GREEN)	8	
E-7	7	HZY6-13215-004	BEARING E, CONNECTING ROD (YELLOW)	8	
E-7	7	HZY6-13216-004	BEARING F, CONNECTING ROD (PINK)	8	
E-7	7	HZY6-13217-004	BEARING G, CONNECTING ROD(RED)	8	
E-7	8	HPPA-13310-000	CRANKSHAFT COMP.	1	#~1005879
E-7	8	HR40-13310-A00	CRANKSHAFT COMP.	1	#1005880~#1006605
E-7	8	HZY6-13310-000	CRANKSHAFT COMP.	1	#1006606~
E-7	9	HPNA-13321-003	BEARING A, MAIN UPPER(BLUE)	5	(DAIDO)
E-7	9	HPNA-13322-003	BEARING B, MAIN UPPER(BLACK)	5	(DAIDO)
E-7	9	HPNA-13323-003	BEARING C, MAIN UPPER(BROWN)	5	(DAIDO)
E-7	9	HPNA-13324-003	BEARING D, MAIN UPPER(GREEN)	5	(DAIDO)
E-7	9	HPNA-13325-003	BEARING E, MAIN UPPER(YELLOW)	5	(DAIDO)
E-7	9	HPNA-13326-003	BEARING F, MAIN UPPER(PINK)	5	(DAIDO)
E-7					
E-7	10	HZY6-13331-023	WASHER, THRUST	2	#1006606~
E-7	11	HPNA-13341-003	BEARING A, MAIN LOWER(BLUE)	5	(DAIDO)
E-7	11	HPNA-13342-003	BEARING B, MAIN LOWER(BLACK)	5	(DAIDO)



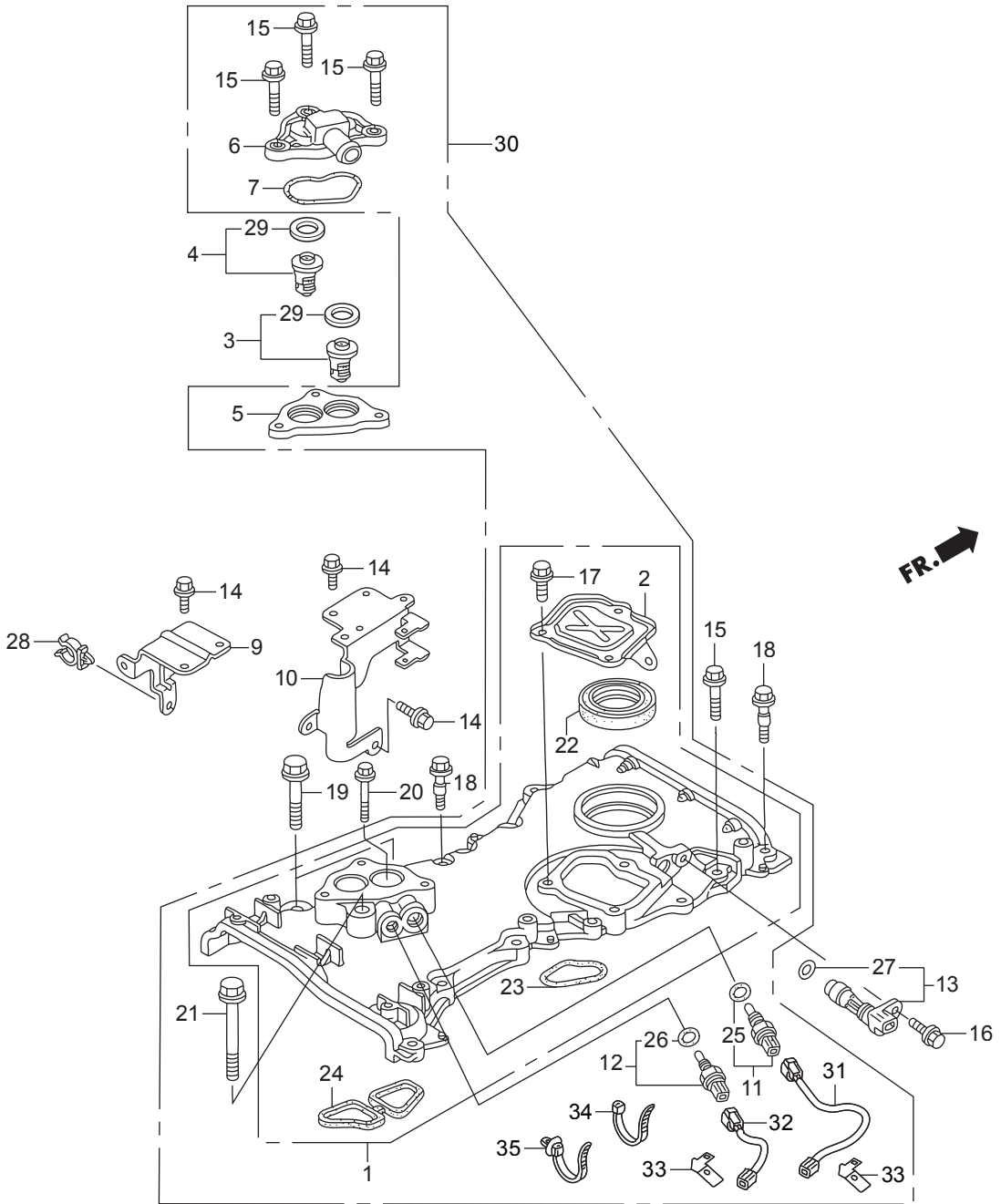


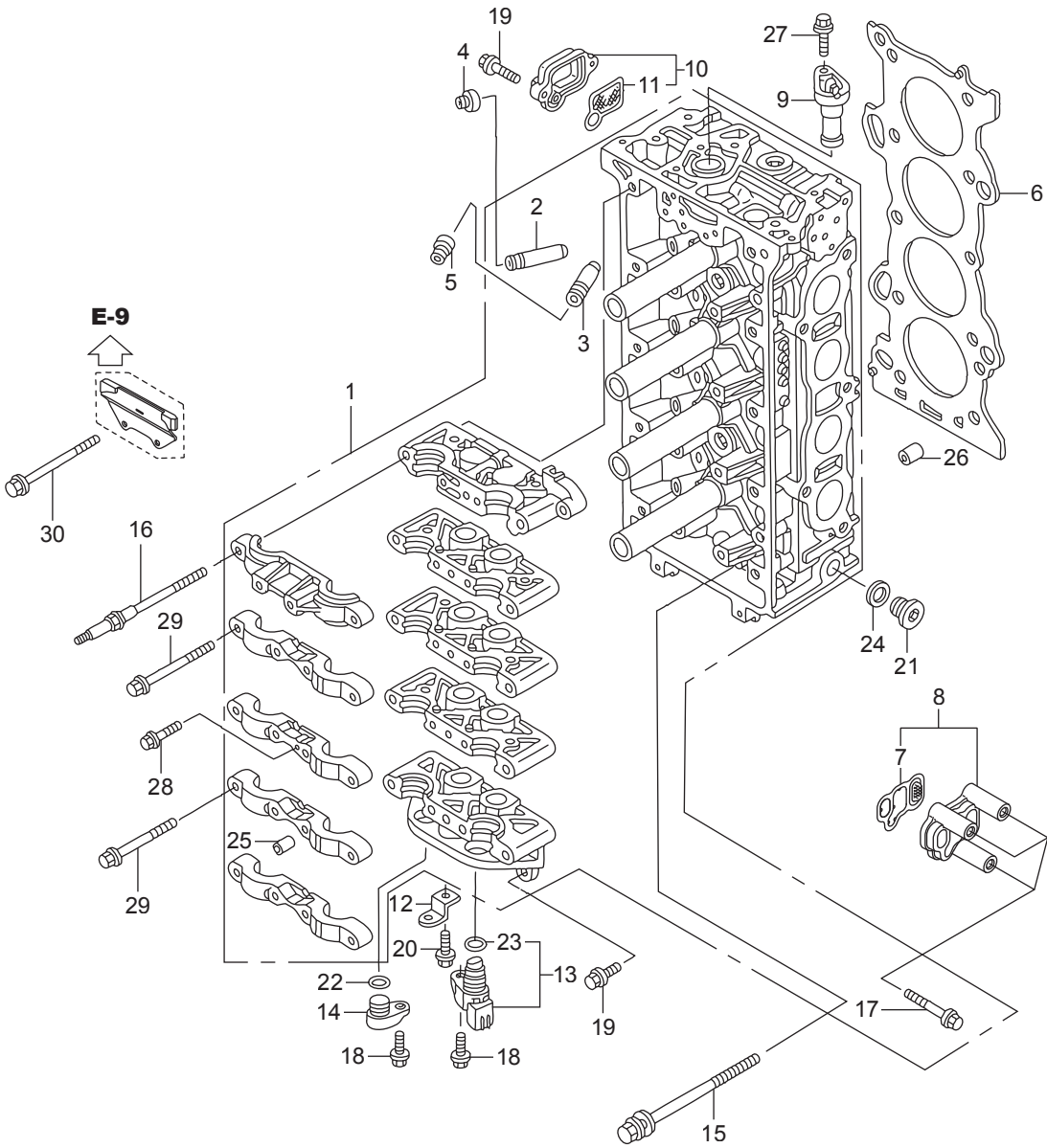
Ref.No.	Part No.	Description	Q' ty	Remarks	
			BFT115A		
E-9	1	HZY5-14110-000	CAMSHAFT COMP., IN.	1	
E-9	2	HPNA-14114-003	PLATE, TDC PULSE	1	
E-9	3	HPNA-14115-000	BOLT, SEALING, 14MM	2	
E-9	4	HZY6-14120-000	CAMSHAFT COMP., EX.	1	
E-9	5	HPNA-14210-000	SPROCKET, CAM CHAIN DRIVEN	1	(46T)
E-9	6	HZY6-14311-000	SPROCKET, CAM CHAIN DRIVEN IN.	1	(46T)
E-9	7	HR40-14401-A01	CHAIN(176L)(BORG WARNER)	1	
E-9	8	HZY6-14510-003	TENSIONER ASSY., CAM CHAIN	1	
E-9	9	HPNA-14511-003	STOPPER(TOOL)	1	
E-9	10	HPPA-14520-003	ARM COMP., CAM CHAIN TENSIONER	1	
E-9	11	HPPA-14530-003	GUIDE COMP., CAM CHAIN	1	
E-9	12	HRWC-14540-A02	GUIDE COMP. B, CAM CHAIN	1	
E-9	13	HRAA-14620-A00	ARM ASSY., ROCKER	4	
E-9	14	HRAA-14624-A00	ARM ASSY., EX. ROCKER	4	
E-9	15	HPNE-14631-000	SHAFT, IN. ROCKER	1	
E-9	16	HR40-14633-A00	SHAFT, EX. ROCKER	1	
E-9	17	HRAA-14647-A00	WASHER, THRUST	8	
E-9	18	HPNA-14711-000	VALVE, IN.	8	
E-9	19	HPRB-14721-A00	VALVE, EX.	8	
E-9	20	HPNA-14744-004	SCREW, TAPPET ADJUSTING	8	
E-9	21	HPT0-14744-004	SCREW, TAPPET ADJUSTING	8	
E-9	22	HZY6-14751-003	SPRING, IN. VALVE(PINK)	8	(NIPPON HATSUJO)
E-9	23	HPNA-14762-003	SPRING, EX. VALVE(GRAY)	8	(NIPPON HATSUJO)
E-9	24	HRAA-14765-A00	RETAINER, VALVE SPRING	16	
E-9	25	HPT0-14775-000	SEAT, VALVE SPRING	16	
E-9	26	HRGM-14781-A01	COTTER, VALVE(FUJI VALVE)	32	
E-9	27	HPNA-90003-000	BOLT, TENSIONER PIVOT	1	
E-9	28	HPNA-90032-000	BOLT, FLANGE, 12X47	1	
E-9	29	HPNA-90042-003	BOLT, FLANGE, 10X32	1	



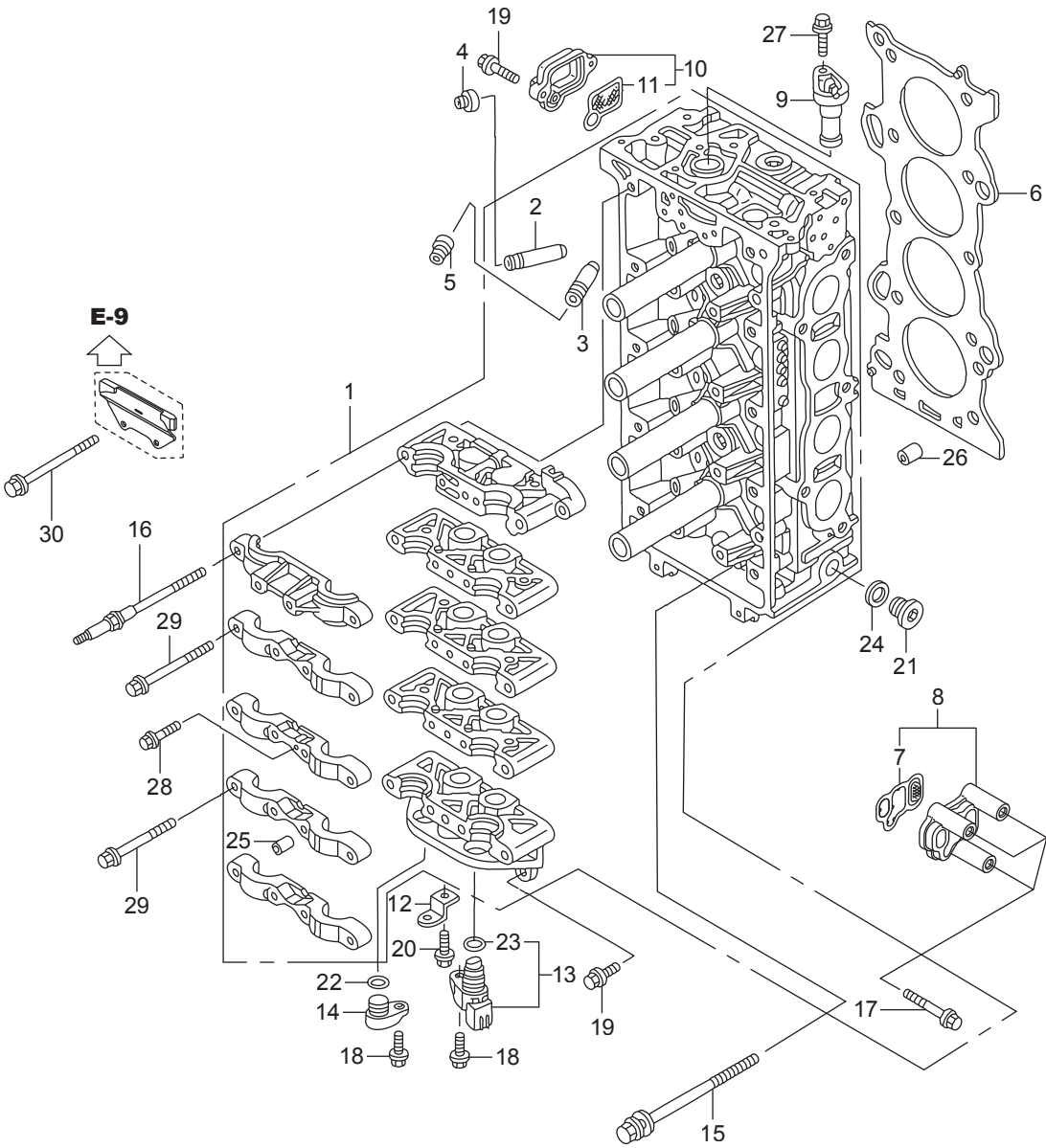


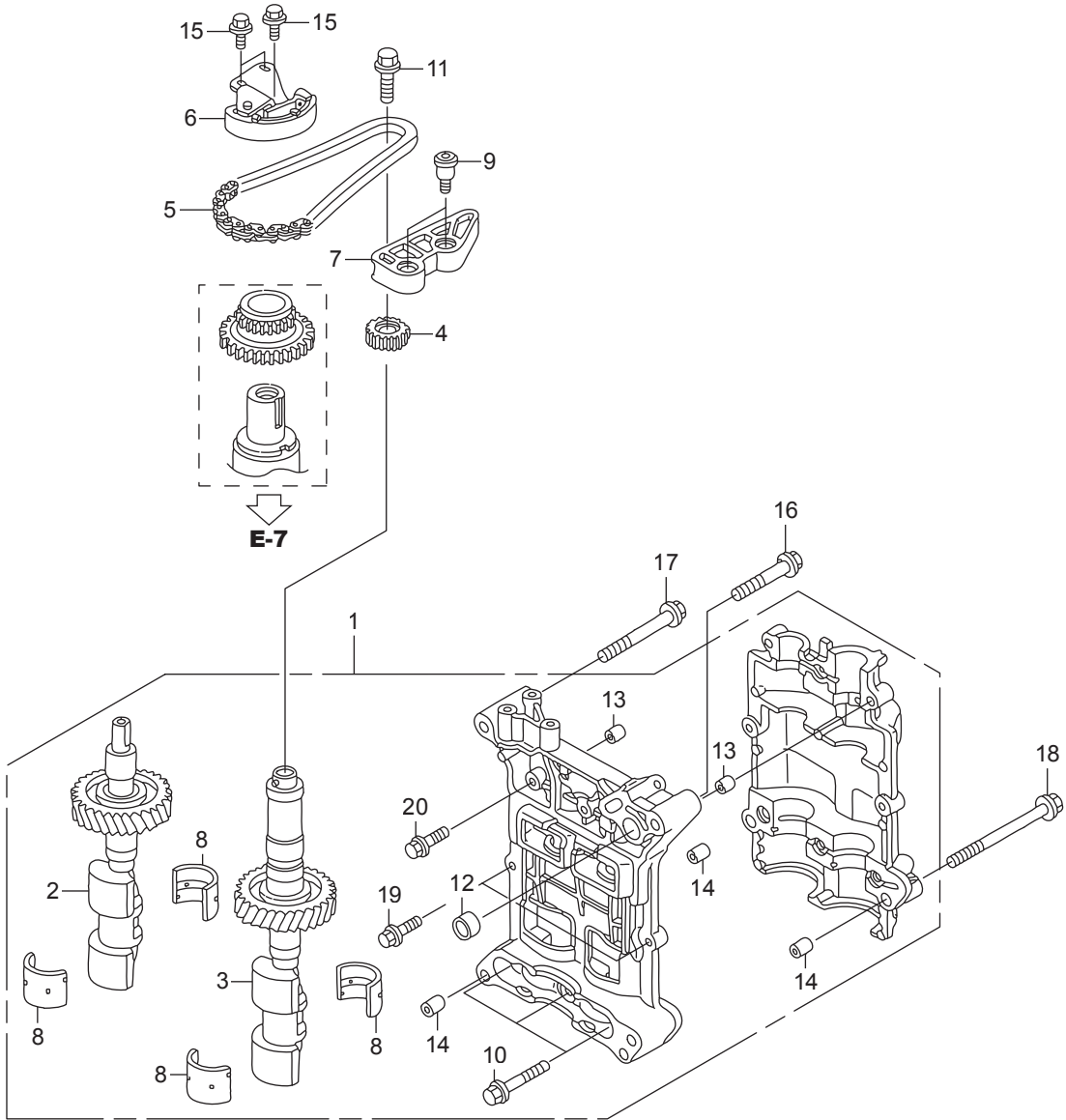
Ref.No.	Part No.	Description	Q' ty	Remarks	
			BFT115A		
E-9-10	1	HZY6-11410-425ZA	CASE ASSY., CHAIN	1	*NH8* DARK GRAY #1006535~
E-9-10	2	HZY6-11412-000	COVER, CHAIN CASE	1	
E-9-10	3	HZY3-19300-023	THERMOSTAT ASSY.	1	
E-9-10	4	HZY6-19300-003	THERMOSTAT ASSY.	1	
E-9-10	5	HZY6-06191-000	SPACER KIT, THERMOSTAT COVER	1	
E-9-10	6	HZY6-19315-010	COVER, THERMOSTAT	1	
E-9-10	7	HZY6-19318-010	PACKING, THERMOSTAT COVER	1	
E-9-10					
E-9-10	9	HZY6-32112-000	BRACKET B, HARNESS CLIP	1	
E-9-10	10	HZY6-32113-000	BRACKET C, HARNESS CLIP	1	
E-9-10	11	HZW5-35673-003	SENSOR ASSY., WATER TEMPERATURE	1	
E-9-10	12	HZY3-35673-003	SENSOR ASSY., WATER TEMPERATURE	1	
E-9-10	13	HPNB-37500-003	SENSOR ASSY., CRANK	1	
E-9-10	14	HZW9-90011-000	BOLT, FLANGE, 6X14(CT200)	5	
E-9-10	15	HZY3-90016-000	BOLT, FLANGE, 6X28	13	
E-9-10	16	HZY3-90017-000	BOLT, FLANGE, 6X16	1	
E-9-10	17	HZY3-90021-000	BOLT, FLANGE, 6X14	3	
E-9-10	18	HZY6-90023-000	BOLT, SPECIAL, 6X31	2	
E-9-10	19	HZY3-90040-000	BOLT, FLANGE, 10X43	2	
E-9-10	20	HZY6-90059-000	BOLT, FLANGE, 6X38	1	
E-9-10	21	HZW4-90162-000	BOLT, FLANGE, 10X70	1	
E-9-10	22	HPNC-91212-004	OIL SEAL, 43X58X7(ARAI)	1	
E-9-10	23	HPNA-91302-004	O-RING, CHAIN CASE	1	
E-9-10	24	HZY6-91304-010	PACKING, CHAIN CASE	1	
E-9-10	25	HPK2-91307-005	O-RING, 9.5X1.5(HONDA KIKAKI)	1	
E-9-10	26	HPNA-91307-003	O-RING, 9.5X1.9	1	
E-9-10	27	HPNA-91333-003	O-RING, 15X1.9	1	
E-9-10	28	HSP0-91546-A01	CLAMP, 18.5MM	1	
E-9-10	29	HZW9-19303-003	RUBBER, RING	2	

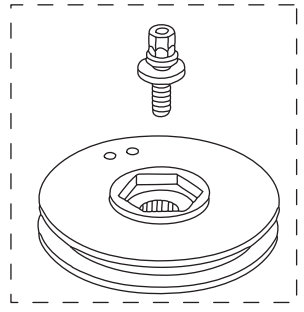
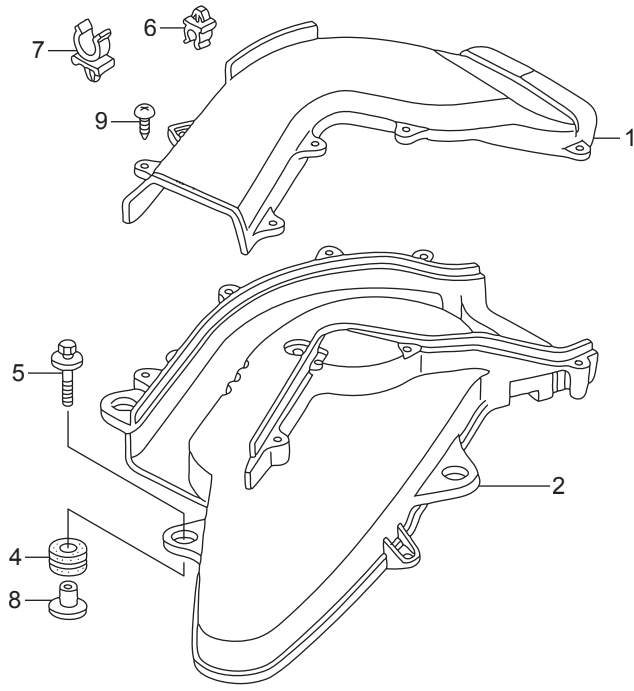




Ref.No.	Part No.	Description	Q' ty	Remarks	
			BFT115A		
E-9-20	1	HZY6-06122-010ZA	HEAD KIT, CYLINDER	1	*NH8* DARK GRAY
E-9-20	2	HPNA-12204-305	GUIDE, IN. VALVE(OS)	8	
E-9-20	3	HPNA-12205-305	GUIDE, EX. VALVE(OS)	8	
E-9-20	4	HPZ1-12210-003	SEAL A, VALVE STEM(ARAI)	8	
E-9-20	4	HPZ1-12210-004	SEAL A, VALVE STEM(NOK)	8	
E-9-20	5	HPZ1-12211-003	SEAL B, VALVE STEM(ARAI)	8	
E-9-20	5	HPZ1-12211-004	SEAL B, VALVE STEM(NOK)	8	
E-9-20	6	HZY6-12251-003	GASKET COMP., CYLINDER HEAD	1	
E-9-20	7	HRAA-15815-A02	FILTER ASSY., SPOOL VALVE	1	
E-9-20	8	HZY9-15815-000	COVER ASSY., OIL PATH	1	
E-9-20	9	HZY6-15834-000	PLUG, VTC HOLE	1	
E-9-20	10	HZY6-15840-000ZA	STRAINER ASSY., VTC	1	*NH8* DARK GRAY
E-9-20	11	HRAA-15845-A01	FILTER ASSY., VTC	1	
E-9-20	12	HZY6-32116-000	BRACKET F, CLIP	1	
E-9-20	13	HPNB-37510-003	SENSOR ASSY., TDC	1	
E-9-20	14	HZY6-37521-000	PLUG, TDC HOLE	1	
E-9-20	15	HPNA-90005-003	BOLT-WASHER, 11X155	10	
E-9-20	16	HPNA-90011-003	BOLT A, HEAD COVER	6	
E-9-20	17	HZY6-90011-000	BOLT, FLANGE, 6X52	3	
E-9-20	18	HZY3-90017-000	BOLT, FLANGE, 6X16	2	
E-9-20	19	HZW5-90018-000	BOLT, FLANGE, 6X20	4	
E-9-20	20	HZY3-90021-000	BOLT, FLANGE, 6X14	1	
E-9-20	21	HZY6-90048-010	BOLT, SEALING, 20MM	1	
E-9-20	22	HZY6-91303-003	O-RING, 15X1.9	1	
E-9-20	23	HPNA-91333-003	O-RING, 15X1.9	1	
E-9-20	24	HCO-94109-20000	WASHER, DRAIN PLUG, 20MM	1	
E-9-20	25	HCO-94301-10160	DOWEL PIN, 10X16	20	
E-9-20	26	HCO-94301-14200	DOWEL PIN, 14X20	2	
E-9-20	27	HCO-95701-06020-08	BOLT, FLANGE, 6X20	1	

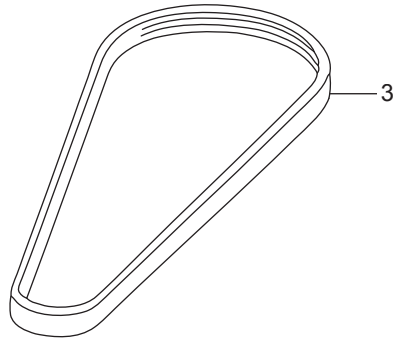


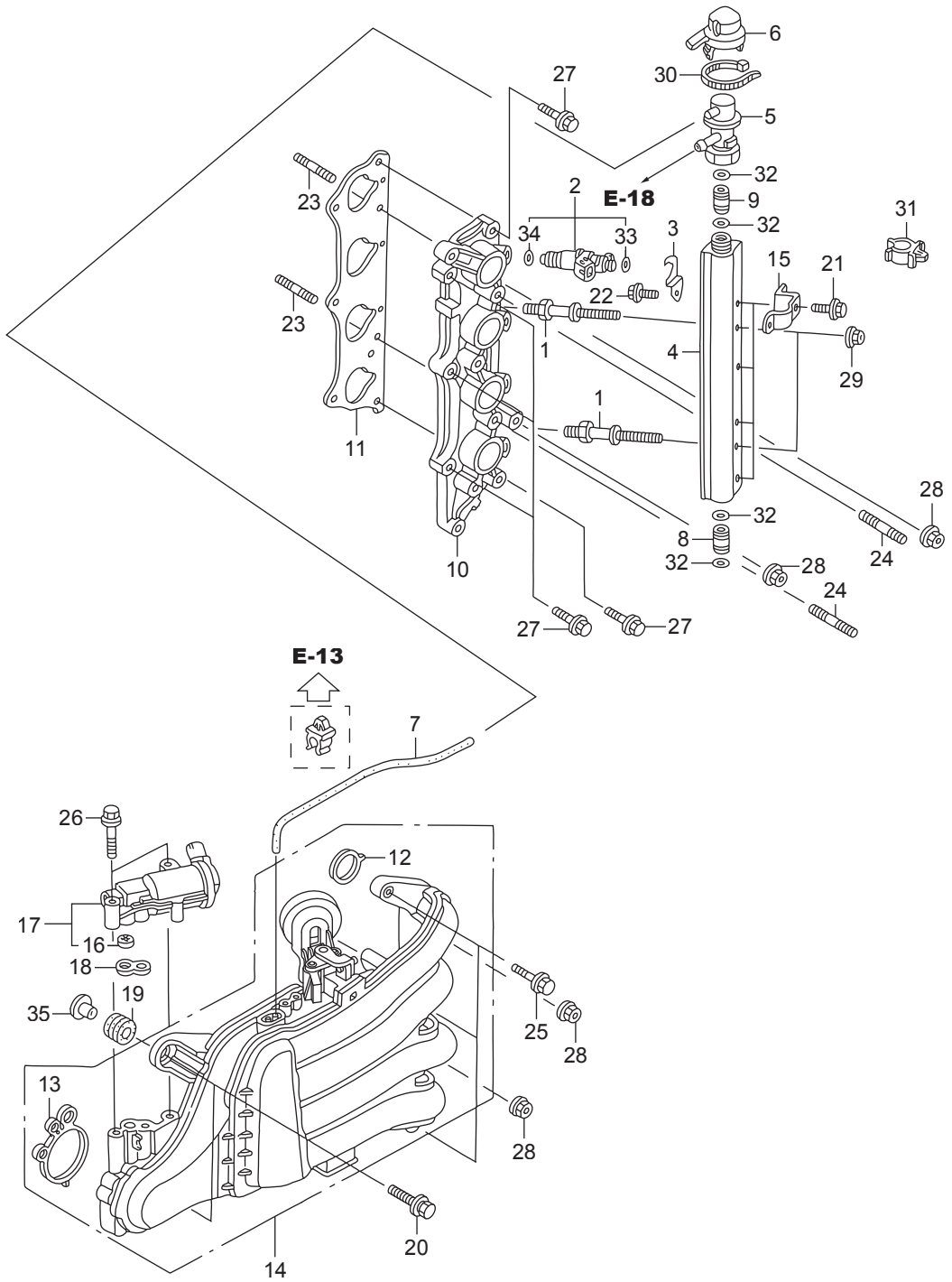




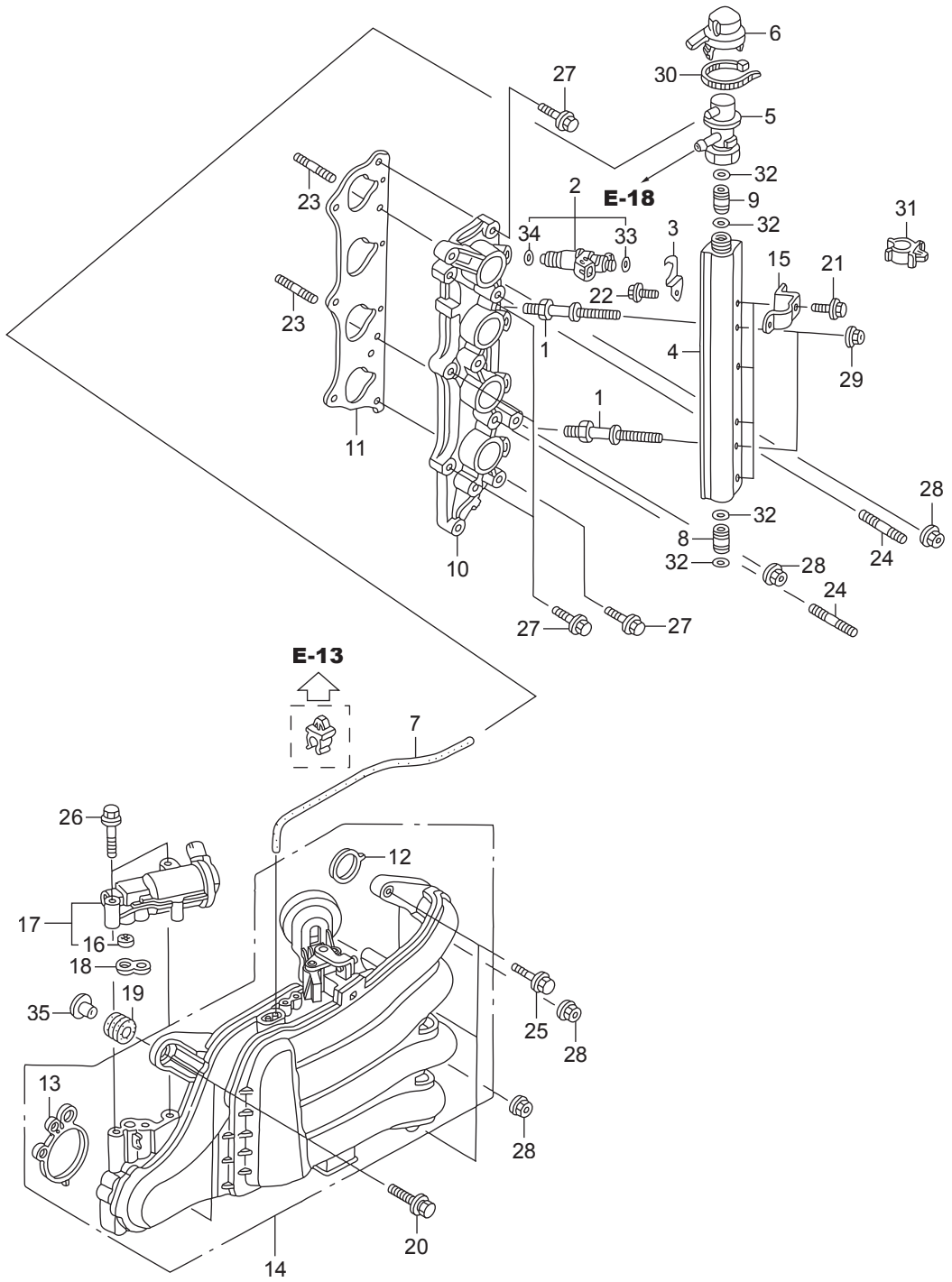
→ E-7

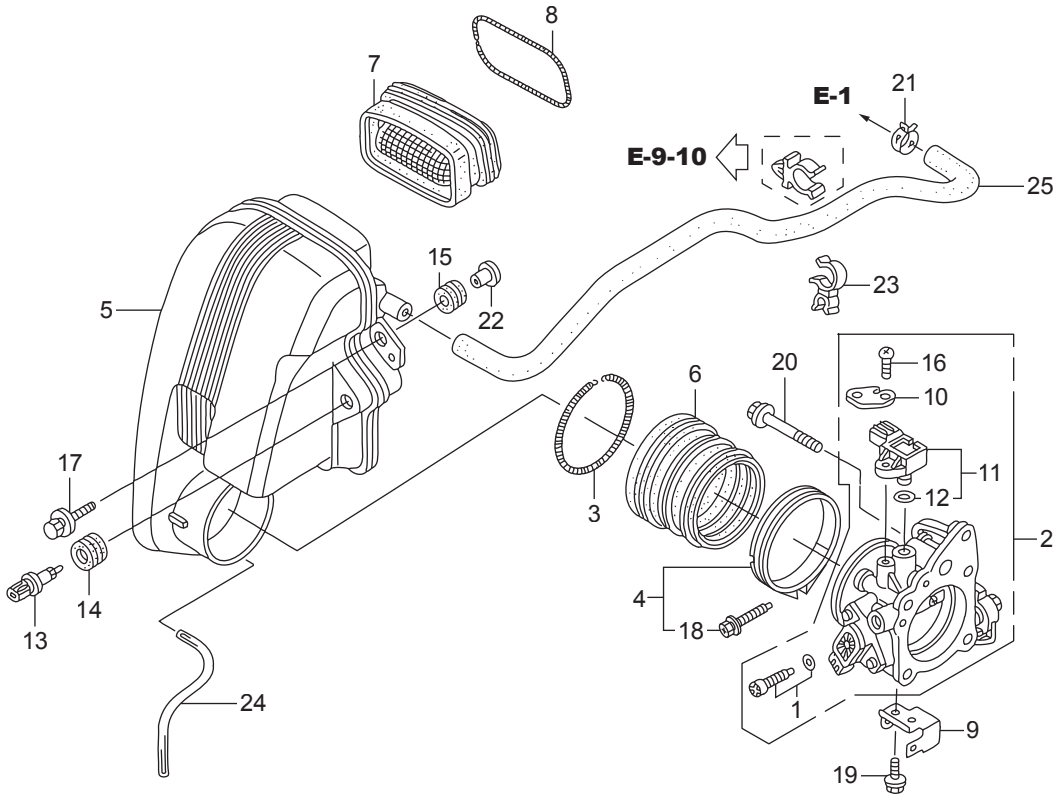
FR. →





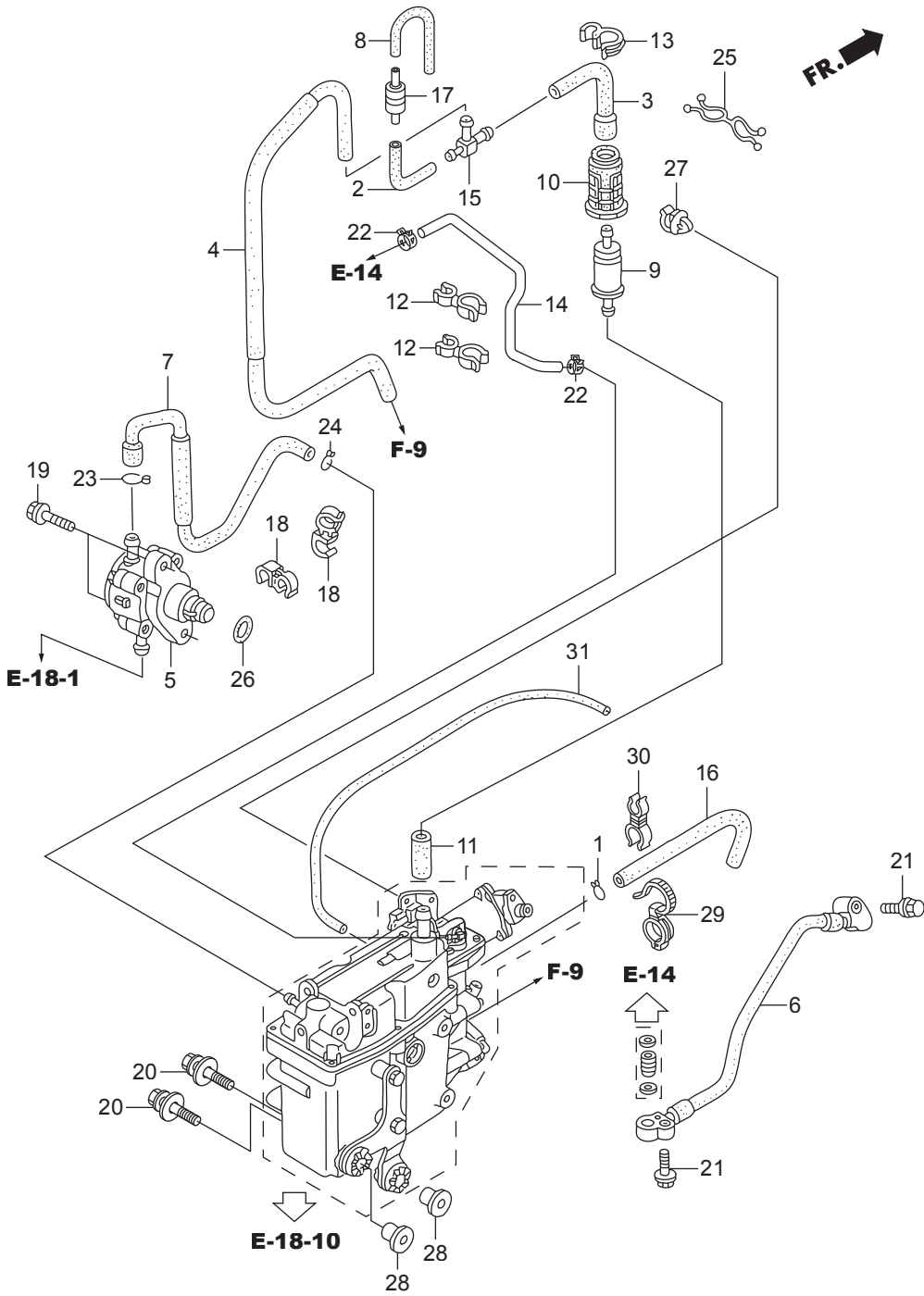
Ref.No.	Part No.	Description	Q' ty	Remarks	
			BFT115A		
E-14	1	HZY6-16089-000	BOLT, FUEL PIPE	2	
E-14	2	HZY6-16450-003	INJECTOR ASSY., FUEL	4	
E-14	3	HZY6-16451-000	CLIP, INJECTOR	4	
E-14	4	HZY6-16621-000	LINE, FUEL	1	
E-14	5	HZY6-16740-003	REGULATOR ASSY., PRESSURE	1	
E-14	6	HZY6-16744-010	CAP, REGULATOR	1	
E-14	7	HZY6-16748-000	TUBE, PRESSURE REGULATOR CONTROL	1	
E-14	8	HZY3-16752-000	JOINT, FUEL PIPE	1	
E-14	9	HZY6-16752-000	JOINT, FUEL PIPE	1	
E-14	10	HZY6-17051-000ZA	BASE, INJECTOR	1	*NH8* DARK GRAY
E-14	11	HPNA-17055-004	GASKET A, INJECTOR BASE	1	
E-14	12	HZY6-17105-000	PACKING, INTAKE MANIFOLD	4	
E-14	13	HZY6-17109-000	PACKING, THROTTLE BODY	1	
E-14	14	HZX1-17110-003	MANIFOLD COMP., INLET	1	
E-14	15	HZY6-32111-000	BRACKET A, HARNESS CLIP	4	
E-14	16	HPS4-36454-003	FILTER COMP., ELECTRONIC AIR CONTROL VALVE	1	(TOYO ROKI)
E-14	17	HZY6-36550-003	VALVE ASSY., ELECTRONIC AIR CONTROL	1	
E-14	18	HZY6-36551-003	PACKING, ELECTRONIC AIR CONTROL VALVE	1	
E-14	19	H121-51640-730	RUBBER, FR. CARRIER CUSHION	2	
E-14	20	HZW1-90014-000	BOLT-WASHER, 8X35	2	
E-14	21	HZY3-90021-000	BOLT, FLANGE, 6X14	4	
E-14	22	HZY3-90042-000	BOLT, FLANGE, 6X10	4	
E-14	23	HZY6-90043-000	BOLT, STUD 2, 8X25	2	
E-14	24	HZY6-90047-000	BOLT, STUD, 8X32	2	
E-14	25	HZY3-90054-000	BOLT, FLANGE, 8X35	3	
E-14	26	HZW4-90126-000	BOLT, FLANGE, 8X45	2	
E-14	27	HZW4-90151-000	BOLT, FLANGE, 8X25	5	
E-14	28	HZY3-90205-000	NUT, FLANGE, 8MM	4	
E-14	29	HZW2-90301-F00	NUT, FLANGE, 6MM	2	



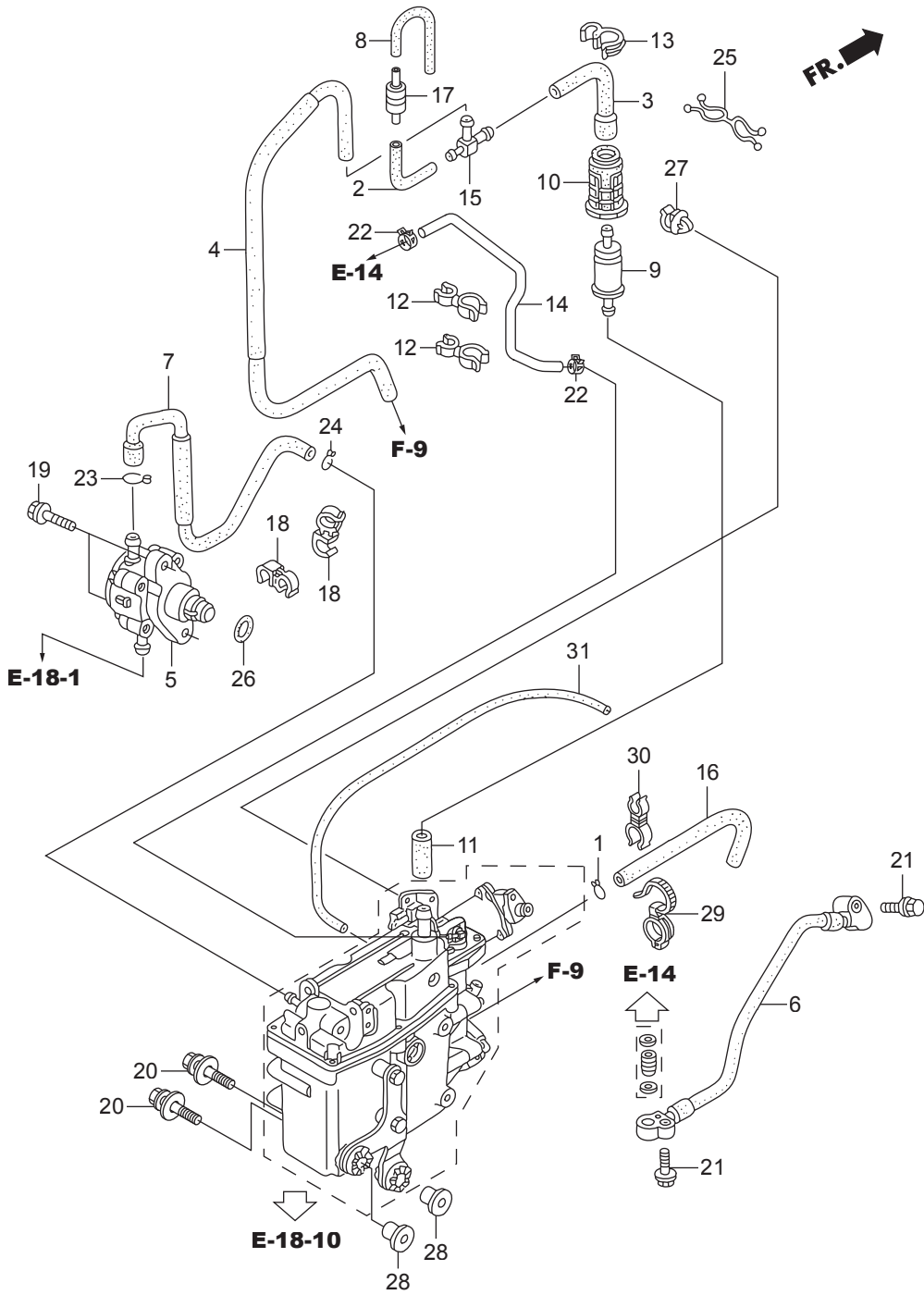


FR.

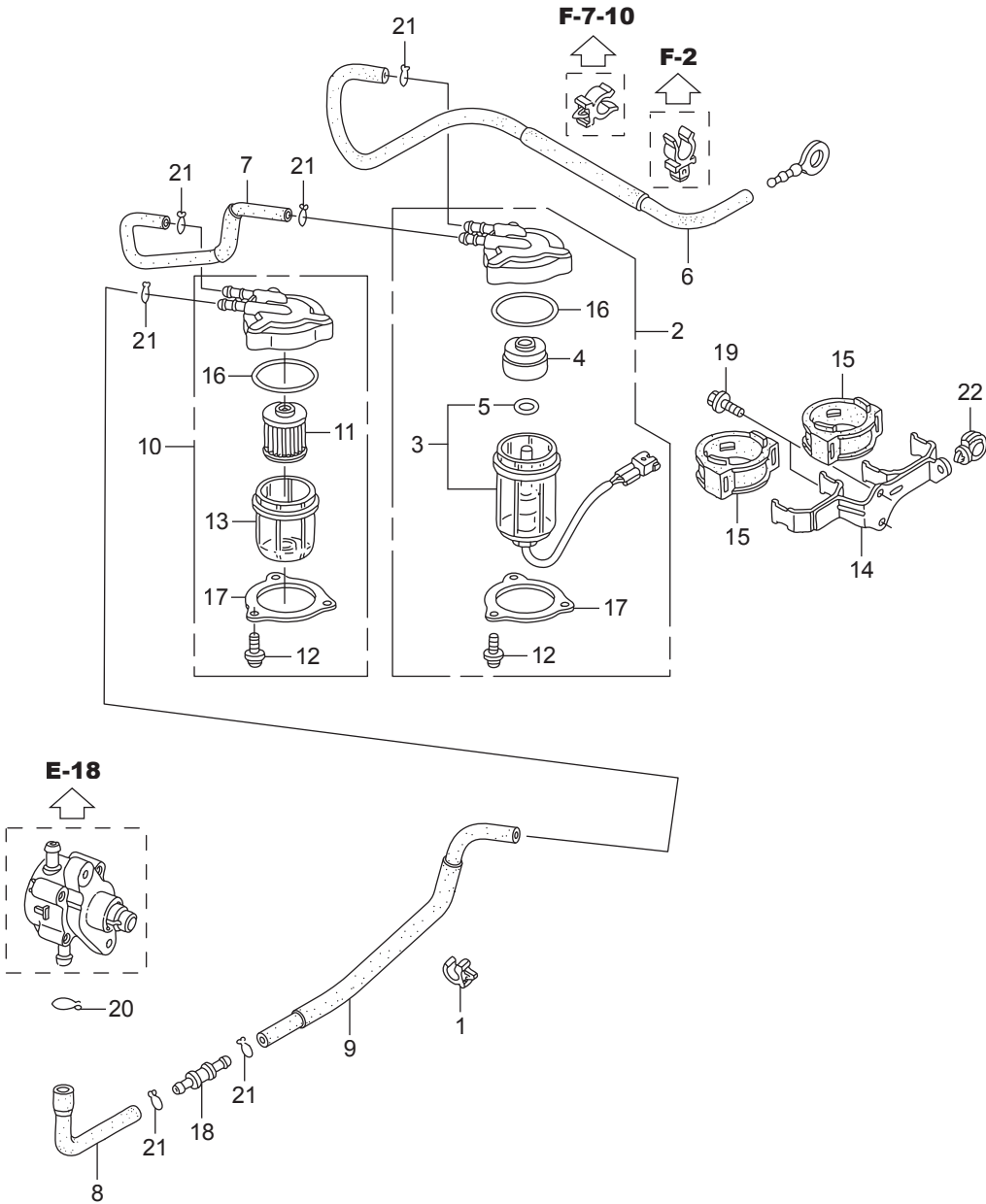
Ref.No.	Part No.	Description	Q' ty	Remarks	
			BFT115A		
E-15	1	HZY6-16016-003	SCREW SET	1	
E-15	2	HZY6-16400-013	THROTTLE BODY ASSY.	1	
E-15	3	HPY3-17249-000	SPRING, AIR FLOW TUBE	1	
E-15	4	HZY9-17315-000	BAND, AIR FLOW	1	
E-15	5	HZY6-17371-020	CASE COMP., SILENCER	1	
E-15	6	HZY6-17374-000	GROMMET, SILENCER	1	
E-15	7	HZY6-17397-013	GROMMET, SILENCER DUCT	1	
E-15	8	HZY6-17398-000	SPRING, SILENCER DUCT GROMMET	1	
E-15	9	HZY6-32115-000	BRACKET E, HARNESS CLIP	1	
E-15	10	HZY3-32128-000	BRACKET, SENSOR CORD	1	
E-15	11	HRNA-37830-A01	SENSOR ASSY., MAP	1	
E-15	12	HPGK-37835-A01	O-RING	1	
E-15	13	HPLC-37880-004	SENSOR ASSY., AIR TEMP	1	(MATSUSHITA DENSHI)
E-15	14	HP2A-37881-000	GROMMET, TA SENSOR	1	
E-15	15	HZV5-40102-000	GROMMET, UNDER CASE	3	
E-15	16	HZY6-90006-000	SCREW, PAN, 5X18	1	
E-15	17	HZW1-90013-000	BOLT-WASHER, 6X25	3	
E-15	18	HZY9-90017-000	BOLT-WASHER, 5X30	1	
E-15	19	HZY3-90056-000	BOLT, FLANGE, 6X12	1	
E-15	20	HZV1-90127-010	BOLT, FLANGE, 8X60	4	
E-15	21	HZV3-90601-030	CLAMP, TUBE(D17)	1	
E-15	22	HZV5-91553-010	COLLAR, C.D.I. UNIT CASE	3	
E-15	23	HSF1-91595-003	CLAMP, FUEL HOSE	1	
E-15	24	HCO-95003-07016-31	TUBE, VINYL, 4X7X160	1	(HC-95003-07001-60M)
E-15	25	HCO-95005-12740-20	TUBE, 12X740	1	(HC-95005-12001-20M)



Ref.No.	Part No.	Description	Q' ty	Remarks	
			BFT115A		
E-18	1	HGHB-16163-610	CLIP, TUBE	1	
E-18	2	HZY6-16196-000	TUBE COMP. C, AIR VENT	1	
E-18	3	HZY6-16198-000	TUBE B, AIR VENT	1	
E-18	4	HZY6-16199-000	TUBE COMP., AIR VENT	1	
E-18	5	HZY6-16700-013	PUMP ASSY., FUEL	1	
E-18	6	HZY6-16755-003	HOSE COMP., FUEL	1	
E-18	7	HZY6-16860-A00	TUBE COMP. B, FUEL	1	
E-18	8	HZV5-16881-000	TUBE D, FUEL	1	
E-18	9	H759-16911-003	STRAINER, FUEL PUMP	1	
E-18	10	HZW5-16915-000	SUSPENSION, STRAINER	1	
E-18	11	HMZ5-16952-000	TUBE B, FUEL	1	
E-18	12	HVM0-16965-771	CLAMP, HOSE	2	
E-18	13	HKV7-17368-671	CLAMP, PIPE	1	
E-18	14	HZY6-17723-020	HOSE, PRESSURE REGULATOR RETURN	1	
E-18	15	HZY6-19269-000	T-JOINT	1	
E-18	16	HZY6-19273-000	TUBE G, WATER	1	
E-18	17	HZY6-36135-003	VALVE, CHECK	1	
E-18	18	HSE0-53740-953	CLIP, SENSOR HOSE	2	
E-18	19	HZY6-90010-000	BOLT, FLANGE, 6X27	2	
E-18	20	HZW1-90014-000	BOLT-WASHER, 8X35	2	
E-18	21	HZW9-90016-000	BOLT, FLANGE, 6X25	2	
E-18	22	HZW5-90601-030	CLAMP, TUBE(D10.7)	2	
E-18	23	HZY6-90601-000	CLIP, TUBE(B1 14.5)	1	
E-18	24	HZV0-90604-000	CLIP, TUBE(B12)	1	
E-18	25	HZY6-90605-003	CLIP, FUEL HOSE	1	
E-18	26	HPA9-91317-003	O-RING, 33.2X2.4(NOK)	1	
E-18	27	HSE0-91547-003	CLIP, HARNESS	1	
E-18	28	HZW1-91554-000	COLLAR, 8.5X14.5	2	
E-18	29	HSM4-91558-003	CLIP, TUBE(BLACK)(135MM)	1	

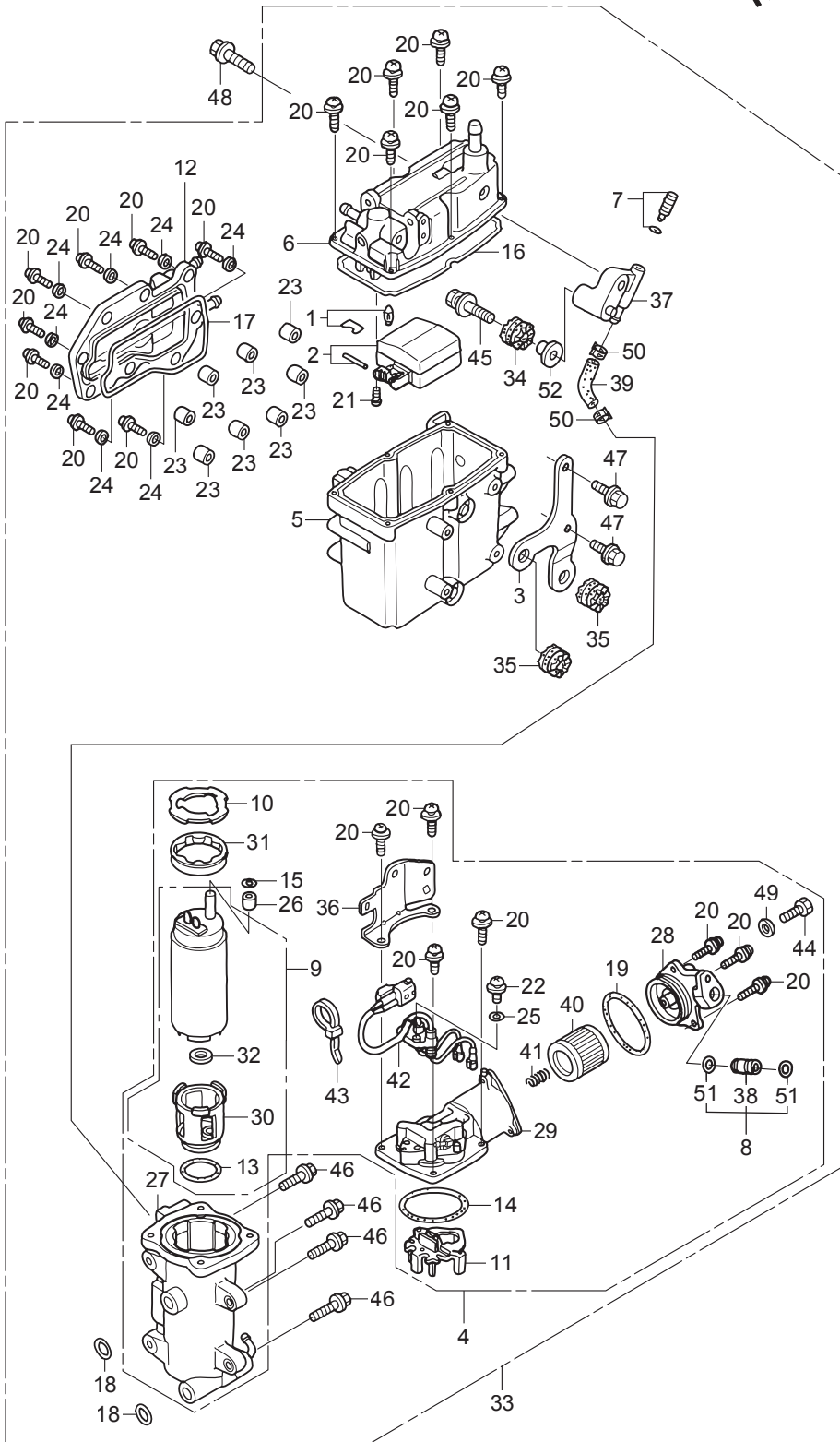


FR. 



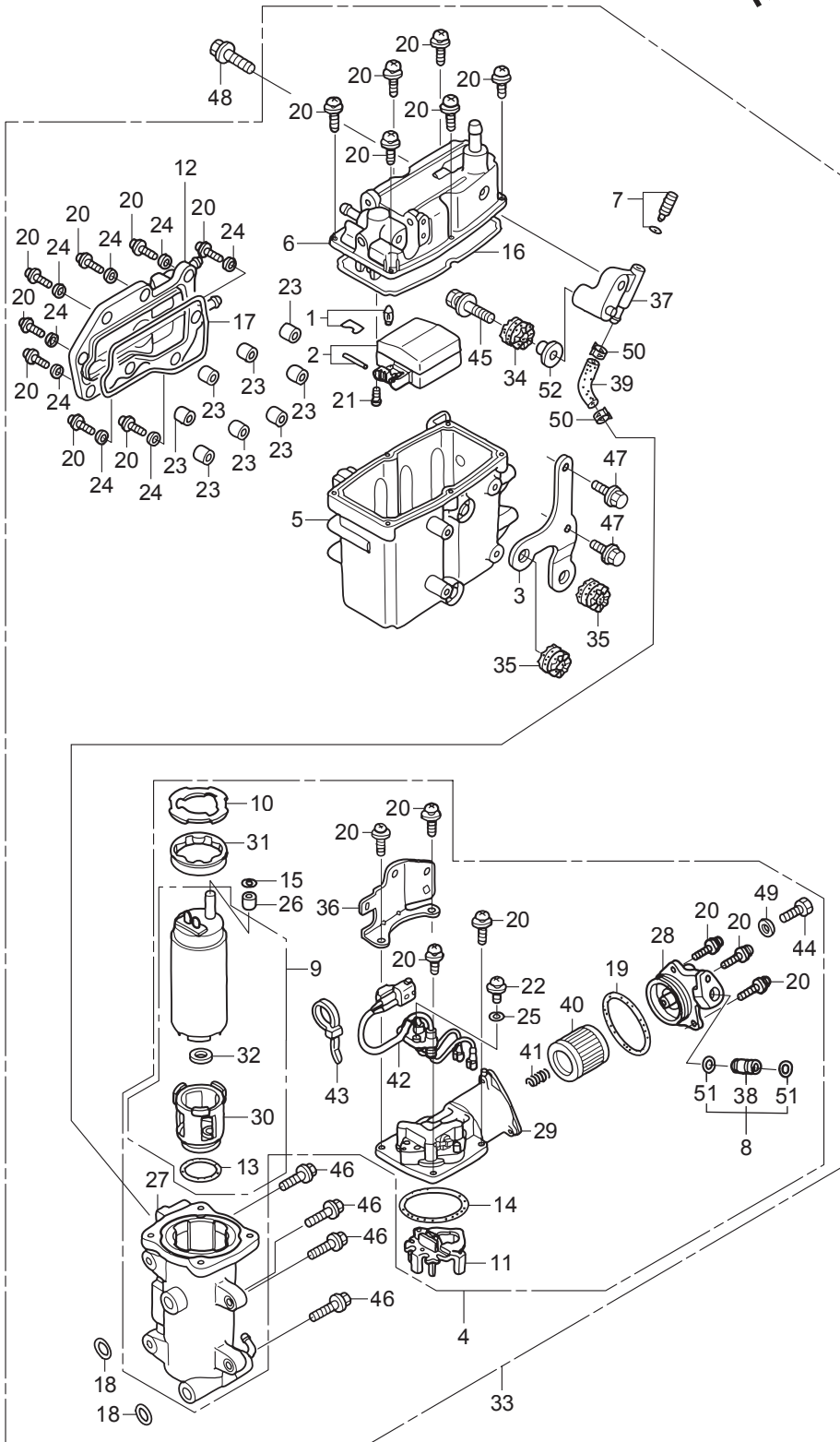
Ref.No.	Part No.	Description	Q' ty	Remarks	
			BFT115A		
E-18-1	1	HZE2-16731-003	CLIP, TUBE	1	
E-18-1	2	HZY6-16800-003	SEPARATOR ASSY., WATER	1	
E-18-1	3	HZY6-16805-003	CUP SET, WATER SEPARATOR	1	
E-18-1	4	HZY3-16807-003	BUFFER, PLATE	1	
E-18-1	5	HZY3-16818-003	O-RING	1	
E-18-1	6	HZY6-16850-A01	TUBE COMP. A, FUEL(FKM)	1	
E-18-1	7	HZY6-16871-A00	TUBE COMP. C, FUEL	1	
E-18-1	8	HZY6-16881-A00	TUBE D, FUEL	1	
E-18-1	9	HZY6-16890-A00	TUBE COMP. E, FUEL	1	
E-18-1	10	HZY3-16900-003	STRAINER COMP., FUEL	1	
E-18-1	11	HZY3-16901-003	STRAINER, FUEL	1	
E-18-1	12	HZY3-16904-003	SCREW, PAN, 5X12	6	
E-18-1	13	HZY3-16912-003	CUP, FUEL STRAINER	1	
E-18-1	14	HZY6-16914-010	STAY, FUEL STRAINER	1	
E-18-1	15	HZY3-16915-010	SUSPENSION, STRAINER	2	
E-18-1	16	HZY3-16918-003	O-RING	2	
E-18-1	17	HZY3-16919-003	PLATE	2	
E-18-1	18	HMR5-16966-000	JOINT, FUEL TUBE	1	
E-18-1	19	HZY3-90021-000	BOLT, FLANGE, 6X14	2	
E-18-1	20	HZY6-90601-000	CLIP, TUBE(B1 14.5)	1	
E-18-1	21	HZV0-90604-000	CLIP, TUBE(B12)	6	
E-18-1	22	HSA0-90683-003	CLIP, WIRE HARNESS, 25MM	1	

FR. →



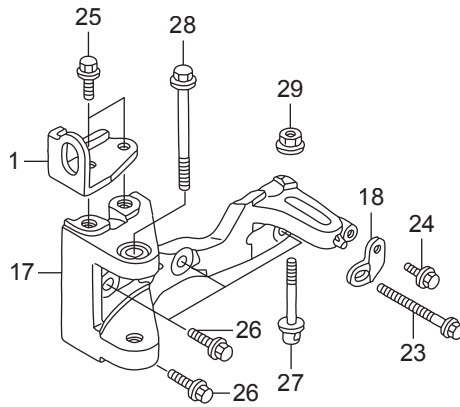
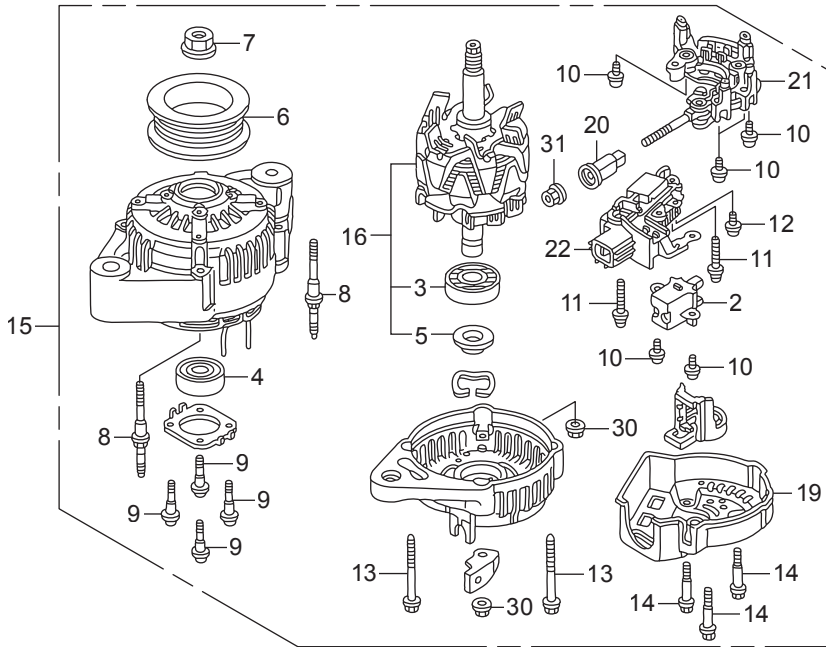
Ref.No.	Part No.	Description	Q' ty	Remarks	
			BFT115A		
E-18-10	1	HZY3-16011-000	VALVE SET, FLOAT	1	
E-18-10	2	HZY3-16013-000	FLOAT SET	1	
E-18-10	3	HZY6-16014-003	STAY A, PLATE	1	
E-18-10	4	HZY6-16017-043	PUMP UNIT, FUEL	1	
E-18-10	5	HZY6-16019-003	BODY COMP., CHAMBER	1	
E-18-10	6	HZY6-16020-023	COVER COMP.	1	
E-18-10	7	HZY3-16024-000	SCREW SET, DRAIN	1	
E-18-10	8	HZY3-16026-000	JOINT SET	1	
E-18-10	9	HZY6-16036-003	PUMP UNIT, FUEL(B)	1	
E-18-10	10	HZY3-16041-000	PLATE	1	
E-18-10	11	HZY3-16042-000	HOLDER	1	
E-18-10	12	HZY3-16061-000	COVER, WATER JACKET	1	
E-18-10	13	HZY3-16072-000	O-RING	1	
E-18-10	14	HZY3-16073-000	O-RING	1	
E-18-10	15	HZY3-16074-000	O-RING	1	
E-18-10	16	HZY3-16075-000	O-RING	1	
E-18-10	17	HZY3-16076-000	O-RING	1	
E-18-10	18	HZY3-16077-000	O-RING	2	
E-18-10	19	HZY3-16078-000	O-RING	1	
E-18-10	20	HZW5-16081-010	SCREW-WASHER	21	
E-18-10	21	HZY3-16082-000	SCREW, PAN	2	
E-18-10	22	HZY3-16083-000	SCREW, WASHER	1	
E-18-10	23	HZW5-16086-000	COLLAR	8	
E-18-10	24	HZW5-16087-000	WASHER, PLAIN	8	
E-18-10	25	HZY3-16087-000	WASHER, PLAIN	1	
E-18-10	26	HZY3-16088-000	COLLAR	1	
E-18-10	27	HZY6-16701-003	CASE COMP., PUMP	1	
E-18-10	28	HZW5-16708-003	COVER, PUMP(B)	1	
E-18-10	29	HZW5-16715-023	COVER, PUMP(A)	1	

FR. →



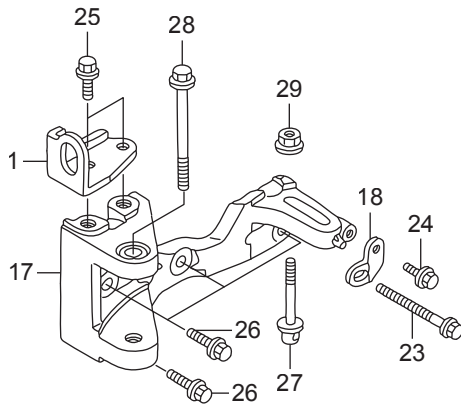
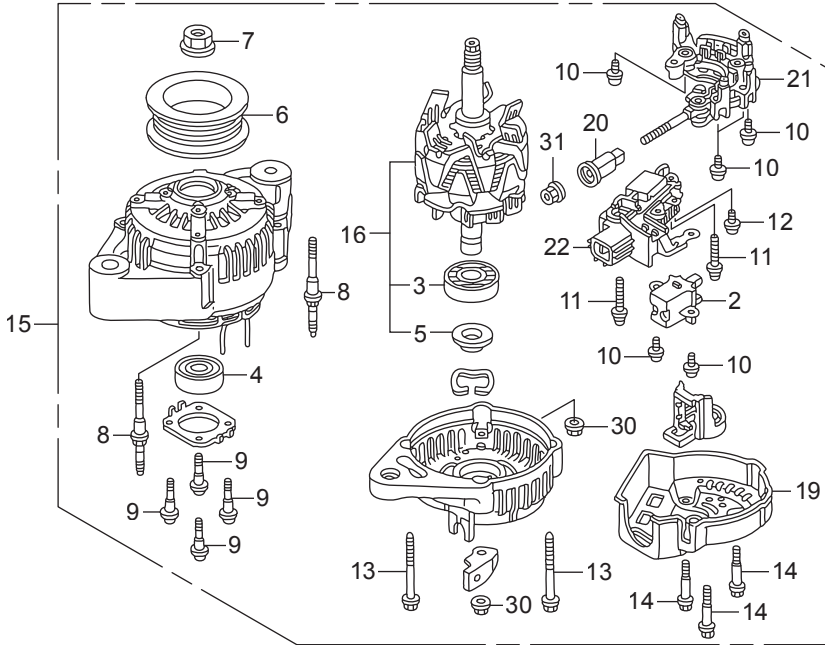
Ref.No.	Part No.	Description	Q' ty	Remarks	
			BFT115A		
E-18-10	30	HZY6-16718-013	INSULATOR COMP.	1	
E-18-10	31	HZY3-16721-000	INSULATOR	1	
E-18-10	32	HZY6-16723-003	RING	1	
E-18-10	33	HZY6-16730-063	SEPARATOR ASSY., VAPOR	1	
E-18-10	34	HZW5-16733-000	GROMMET, VAPOR SEPARATOR	1	
E-18-10	35	HZY3-16733-000	GROMMET, VAPOR SEPARATOR	2	
E-18-10	36	HZY6-16734-003	STAY, PLATE	1	
E-18-10	37	HZY6-16736-003	STAY, VAPOR SEPARATOR	1	
E-18-10	38	HZY3-16752-000	JOINT, FUEL PIPE	1	
E-18-10	39	HZY6-16840-A00	TUBE F, FUEL	1	
E-18-10	40	HZY3-16911-010	SCREEN COMP., FUEL STRAINER	1	
E-18-10	41	HZY3-16913-000	SPRING, SET	1	
E-18-10	42	HZY6-32166-003	HARNESS COMP.	1	
E-18-10	43	HZW5-32168-003	BAND	1	
E-18-10	44	HPP4-90009-E01	BOLT, SEALING, 6MM	1	
E-18-10	45	HZW1-90014-000	BOLT-WASHER, 8X35	1	
E-18-10	46	HZW9-90016-000	BOLT, FLANGE, 6X25	4	
E-18-10	47	HZY3-90017-000	BOLT, FLANGE, 6X16	2	
E-18-10	48	HZY3-90049-000	BOLT, FLANGE, 8X30	1	
E-18-10	49	HPD6-90430-003	WASHER, SEALING, 6MM	1	
E-18-10	50	HZY6-90607-000	CLAMP, TUBE(8.0)	2	
E-18-10	51	HMJ0-91301-003	O-RING, 7.8X1.9(ARAI)	2	
E-18-10	52	HZW1-91554-000	COLLAR, 8.5X14.5	1	

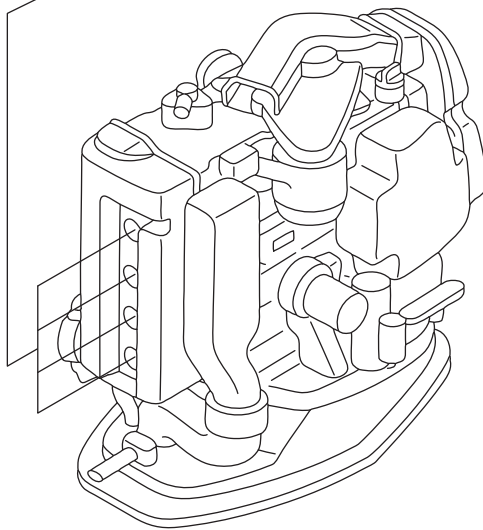
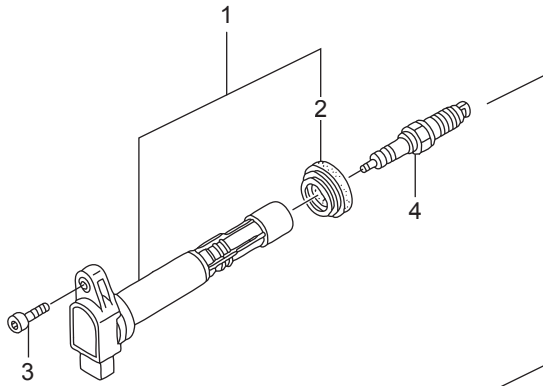
FR. 



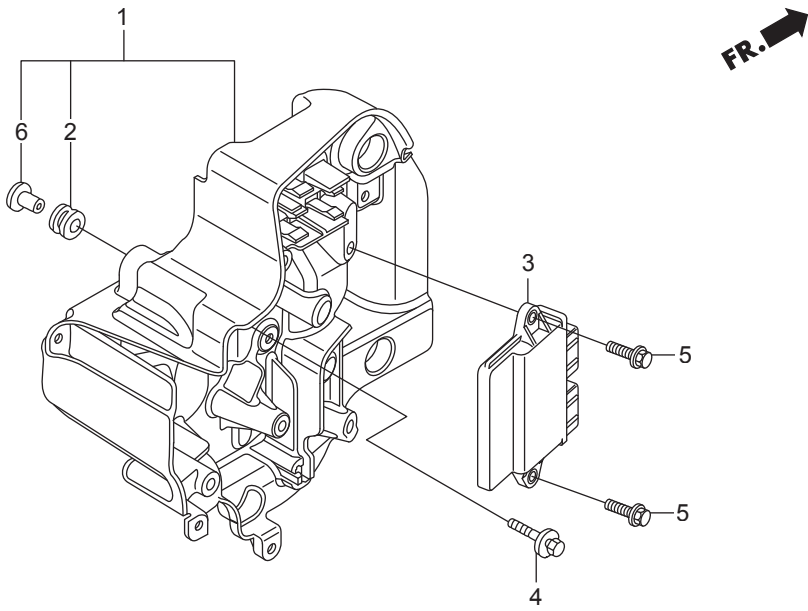
Ref.No.	Part No.	Description	Q' ty	Remarks	
			BFT115A		
E-19	1	HZY6-11912-000	HANGER B, ENGINE	1	
E-19	2	HPZ1-31105-003	HOLDER ASSY., BRUSH	1	
E-19	3	HPJ7-31111-013	BEARING, RR.	1	
E-19	4	HPJ7-31114-013	BEARING, FR.	1	
E-19	5	HPD1-31138-004	COVER, BEARING	1	
E-19	6	HP64-31141-003	PULLEY	1	
E-19	7	HPD1-31142-004	NUT, PULLEY LOCK	1	
E-19	8	HPE9-31145-941	BOLT, STUD	2	
E-19	9	HPJ7-31146-003	SCREW	4	
E-19	10	HPT0-31147-003	SCREW-WASHER	6	
E-19	11	HPD1-31148-004	SCREW-WASHER, 4X25	2	
E-19	12	HPZ1-31149-003	SCREW	1	
E-19	13	HPE9-31152-942	BOLT-WASHER	2	
E-19	14	HPZ1-31153-003	BOLT	3	
E-19	15	HZY6-31630-003	GENERATOR ASSY., A.C.	1	#~1005765
E-19	15	HZY6-31630-013	GENERATOR ASSY., A.C.	1	#1005766~
E-19	16	HZW5-31631-003	ROTOR ASSY.	1	
E-19	17	HZY6-31636-010	BRACKET COMP., A.C. GENERATOR	1	
E-19	18	HZY6-31637-000	STAY, A.C. GENERATOR	1	
E-19	19	HZW5-31639-003	END COVER, RR.	1	
E-19	20	HZW5-31644-003	BUSH, INSULATION	1	
E-19	21	HZW5-31710-003	RECTIFIER ASSY.	1	
E-19	22	HZY6-31750-003	REGULATOR ASSY.	1	
E-19	23	HZW5-90011-010	BOLT, SPECIAL ADJUSTER	1	
E-19	24	HZY3-90017-000	BOLT, FLANGE, 6X16	1	
E-19	25	HZY3-90026-000	BOLT, FLANGE, 8X20	2	
E-19	26	HZY3-90035-000	BOLT, FLANGE, 8X28	4	
E-19	27	HZY3-90055-000	BOLT, TENSIONER	1	
E-19	28	HZW4-90163-000	BOLT, FLANGE, 10X80	1	

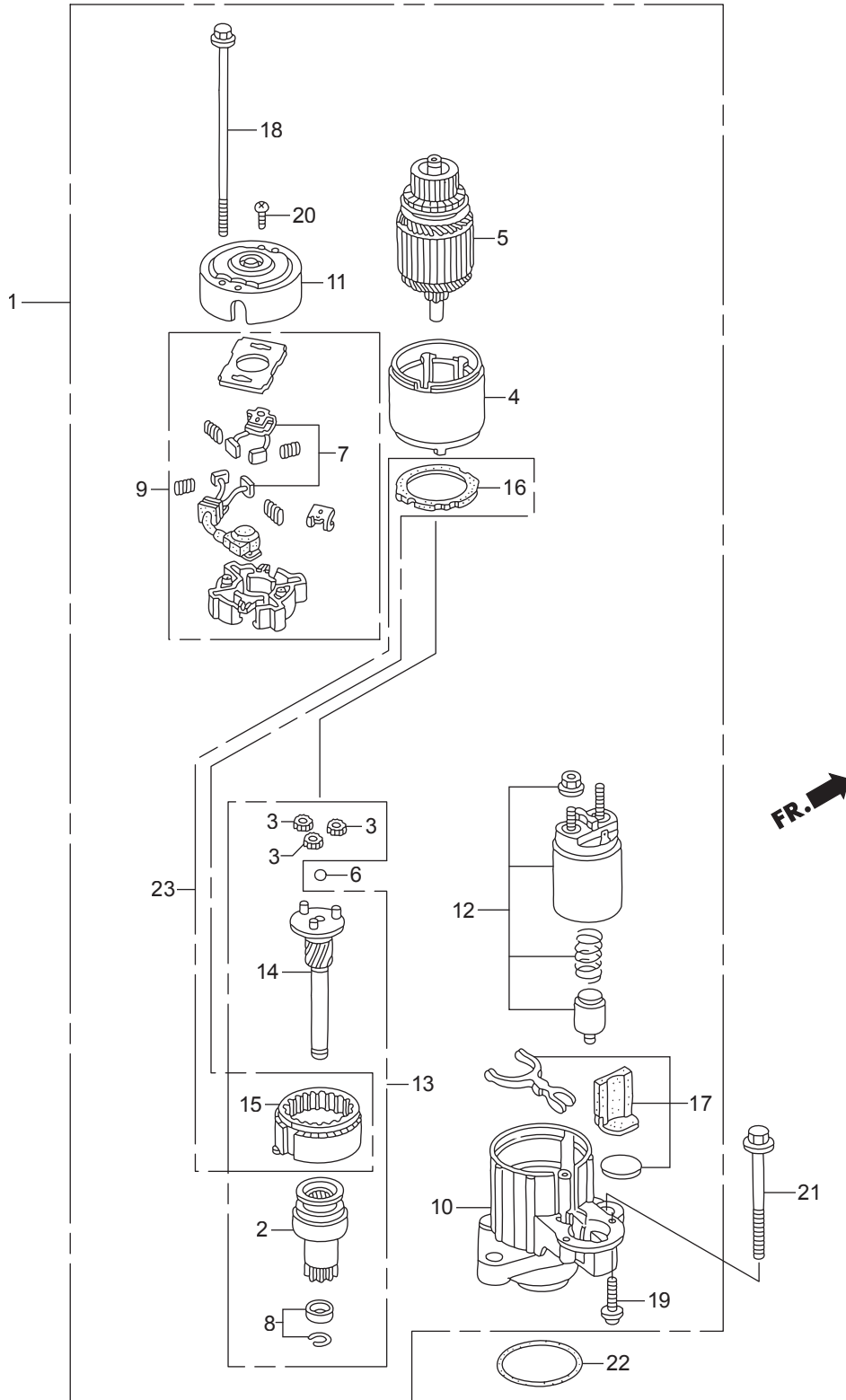
FR. 



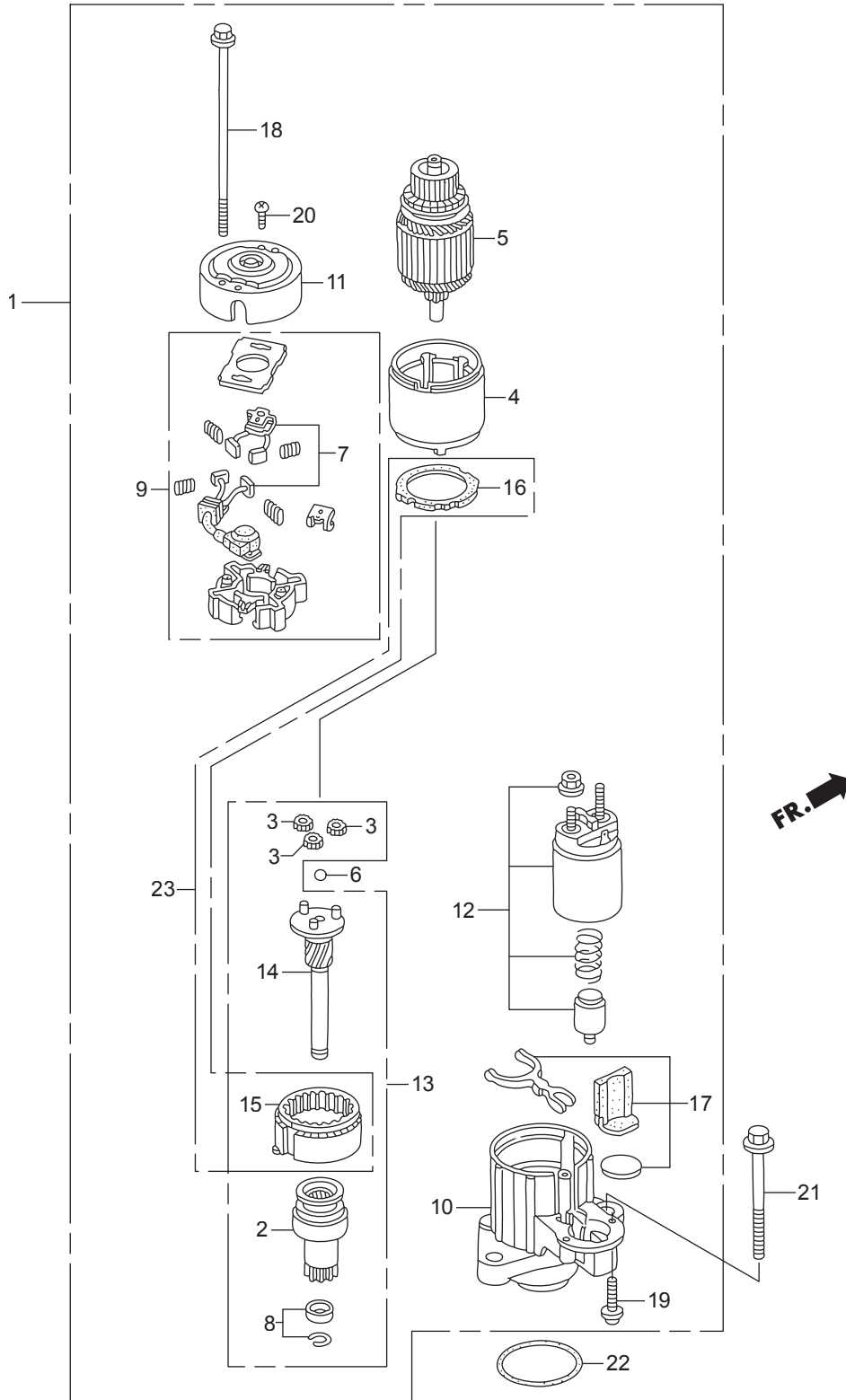


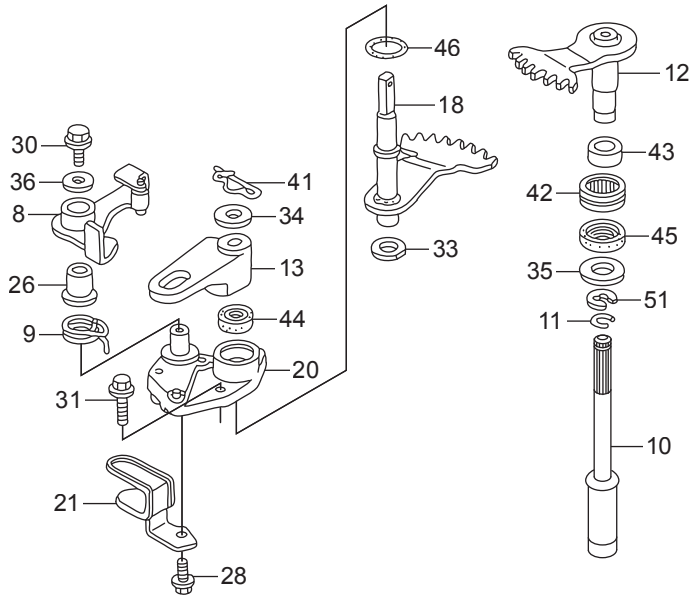
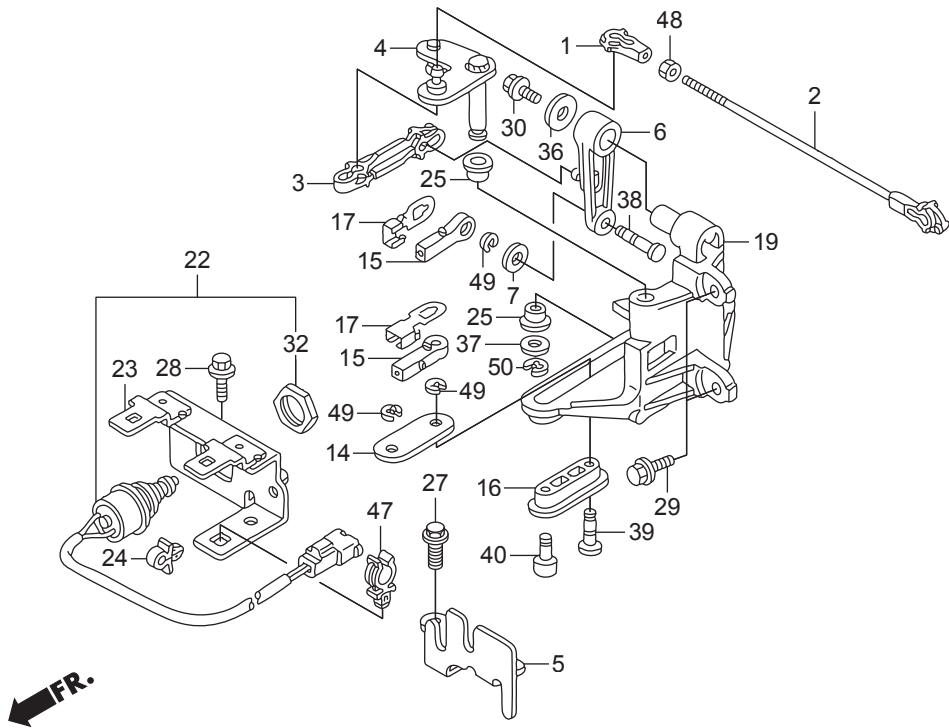
FR. →



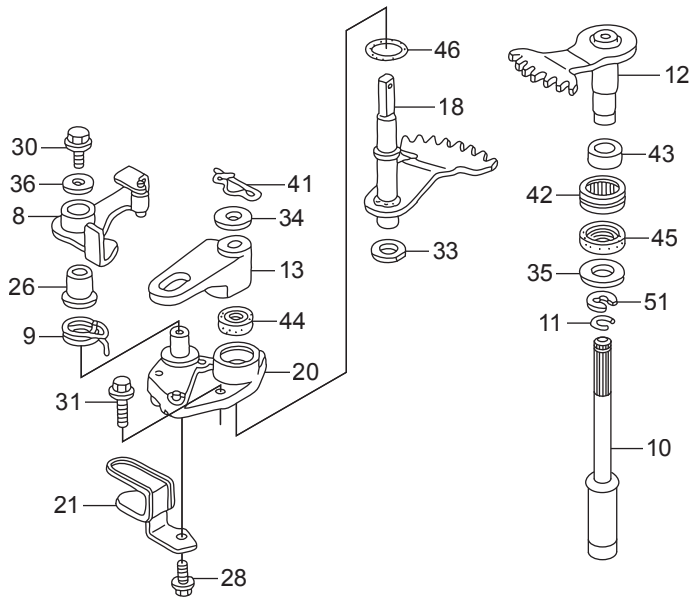
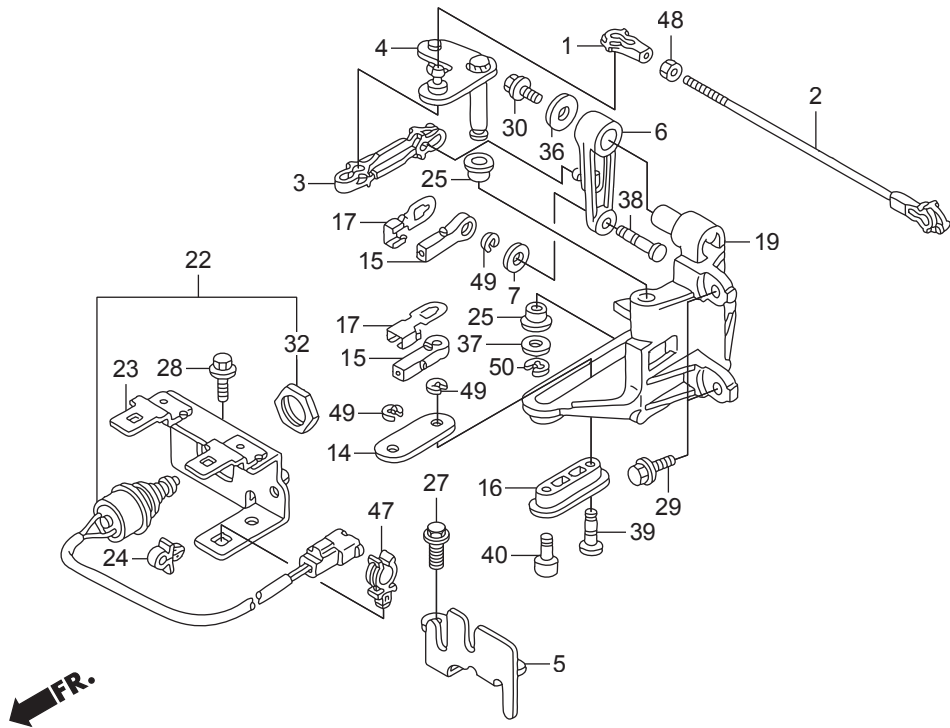


Ref.No.	Part No.	Description	Q' ty	Remarks	
			BFT115A		
E-21	1	HZY6-31200-003	MOTOR ASSY., STARTER	1	
E-21	2	HZY3-31207-003	CLUTCH COMP., OVERRUNNING	1	#~1004968 #~6000047
E-21	2	HZY9-31207-H01	CLUTCH COMP., OVERRUNNING	1	#1004969~ #6000048~
E-21	3	HPY3-31215-004	GEAR ASSY., PLANETARY	3	
E-21	4	HZY6-31216-003	YOKE COMP.	1	
E-21	5	HZW5-31217-003	ROTOR COMP.	1	
E-21	6	HPY3-31218-004	BALL, STEEL	1	
E-21	7	HZY6-31226-003	BRUSH SET	1	#~1004968 #~6000047
E-21	7	HZY6-31227-003	BRUSH SET	1	#1004969~ #6000048~
E-21	8	HZW1-31229-004	STOPPER SET, SLEEVE	1	#~1004968 #~6000047
E-21	8	HZY9-31229-H01	STOPPER SET, SLEEVE	1	#1004969~ #6000048~
E-21	9	HZY6-31231-003	HOLDER COMP., BRUSH	1	#~1004968 #~6000047
E-21	9	HZY6-31232-003	HOLDER COMP., BRUSH	1	#1004969~ #6000048~
E-21	10	HZY6-31235-003	BRACKET, FR.	1	
E-21	11	HZY6-31236-003	BRACKET, RR.	1	
E-21	12	HZY6-31240-003	SWITCH ASSY., MAGNET	1	#~1004968 #~6000047
E-21	12	HZY9-31240-003	SWITCH ASSY., MAGNET	1	#1004969~ #6000048~
E-21	13	HZY6-31242-003	SHAFT ASSY., CLUTCH	1	#~1004968 #~6000047
E-21	13	HZY9-31242-H01	SHAFT ASSY., CLUTCH	1	#1004969~ #6000048~
E-21	14	HZY3-31246-003	SHAFT ASSY., GEAR	1	#~1004968 #~6000047
E-21	14	HZY9-31246-H01	SHAFT ASSY., GEAR	1	#1004969~ #6000048~
E-21	15	HZW1-31247-004	GEAR ASSY.,INTERNAL	1	#~1004968 #~6000047
E-21	16	HZW1-31249-004	PACKING	1	#~1004968 #~6000047
E-21	17	HZW1-31250-004	LEVER SET	1	
E-21	18	HZW1-31261-004	BOLT A, THROUGH	2	
E-21	19	HZW1-90106-004	SCREW, PAN, 6X22(SPECIAL)	2	#~1004968 #~6000047
E-21	19	HZY9-31226-H01	SCREW, PAN, 6X22	2	#1004969~ #6000048~
E-21	20	HZW1-90107-004	SCREW, PAN, 5X8	2	
E-21	21	HZW4-90164-000	BOLT, FLANGE, 10X90	2	



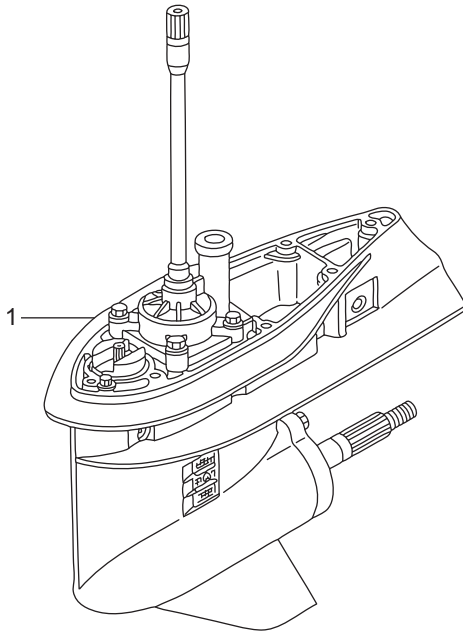


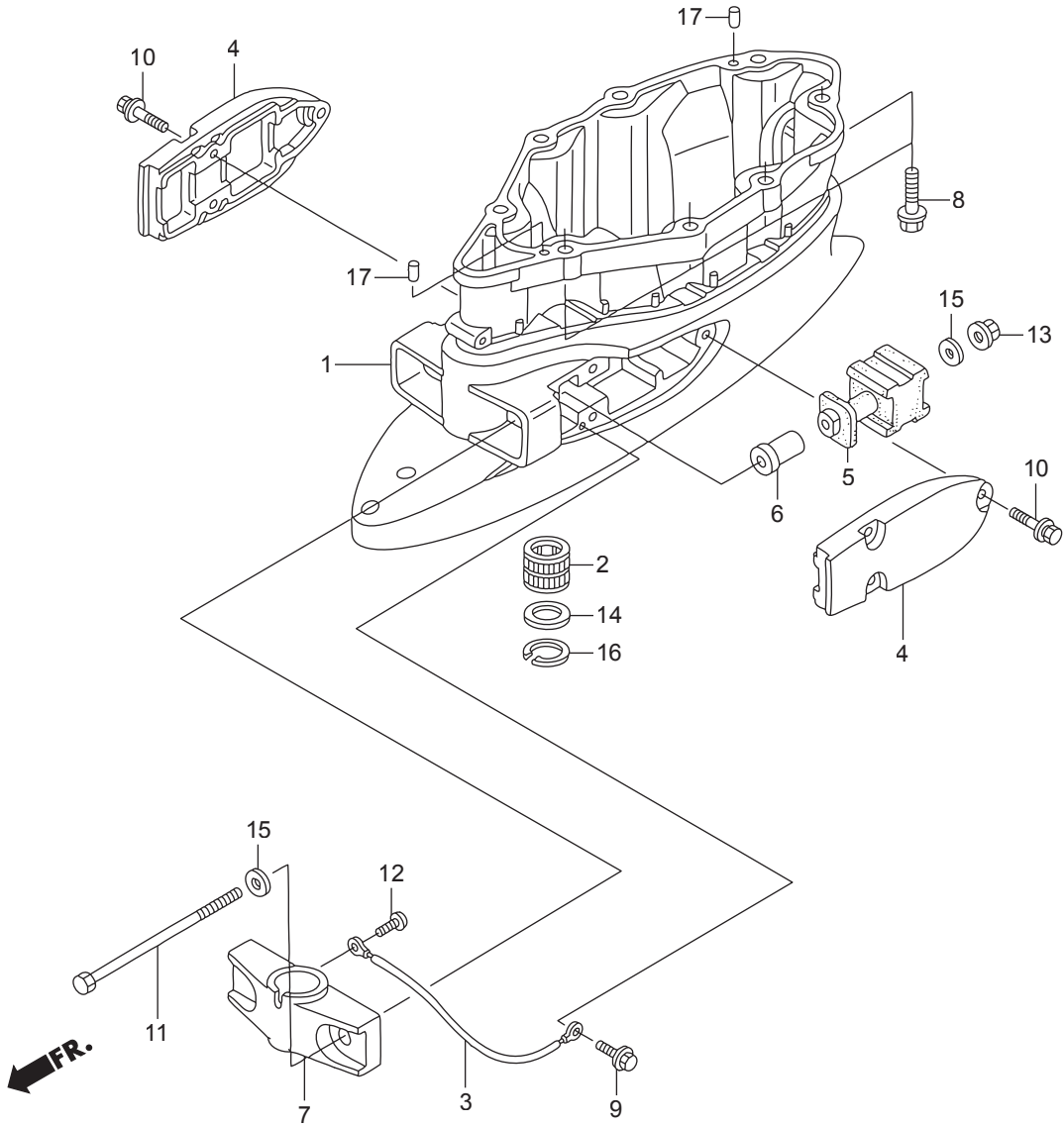
Ref.No.	Part No.	Description	Q' ty	Remarks	
			BFT115A		
F-2	1	HZV5-17838-000	LINKAGE, PIVOT	1	
F-2	2	HZY6-17840-000	ROD COMP., THROTTLE	1	
F-2	3	HZY6-17845-000	LINK, THROTTLE	1	
F-2	4	HZY6-17860-000	PLATE COMP., THROTTLE	1	
F-2	5	HZY6-17877-010	PLATE, REMOTE CONTROL CABLE	1	
F-2	6	HZY6-17931-000	ARM, THROTTLE	1	
F-2	7	H921-17936-000	WASHER, PIVOT	1	
F-2	8	HZY6-24166-000	ARM COMP., CLICK	1	
F-2	9	HZY6-24218-000	SPRING, CLICK	1	
F-2	10	HZY6-24320-000	ROD COMP. A, SHIFT(L)	1	LA
F-2	10	HZY6-24320-610	ROD COMP. A, SHIFT(XL)	1	XA,XCA
F-2	11	HZW1-24327-000	RING, STOPPER	1	
F-2	12	HZY6-24610-000	SHAFT COMP. A, SHIFT	1	
F-2	13	HZY6-24612-020	ARM, SHIFT	1	
F-2	14	HZY6-24614-000	PLATE, SHIFT PIVOT	1	
F-2	15	HZY3-24618-000	PIVOT, SHIFT	2	
F-2	16	HZY6-24618-000	PIVOT, SHIFT SLIDE	1	
F-2	17	HZY3-24619-000	PLATE, LOCK	2	
F-2	18	HZY6-24620-000	SHAFT COMP. B, SHIFT	1	
F-2	19	HZY6-24628-000	BRACKET, SHIFT LINK	1	
F-2	20	HZY6-24629-000ZA	HOLDER, SEAL	1	*NH8* DARK GRAY
F-2	21	HZY6-32418-000	BRACKET A, CABLE	1	
F-2	22	HZY3-35470-023	SWITCH ASSY., NEUTRAL	1	
F-2	23	HZY6-35475-000	BRACKET, NEUTRAL SWITCH	1	
F-2	24	HVM0-46391-003	CLIP, BRAKE PIPE(A)	1	
F-2	25	HZY3-63205-000	BUSH A, COVER LOCK	2	
F-2	26	H763-75538-C01	BUSH, BLADE BRAKE	1	
F-2	27	HZY3-90017-000	BOLT, FLANGE, 6X16	1	
F-2	28	HZY3-90021-000	BOLT, FLANGE, 6X14	2	

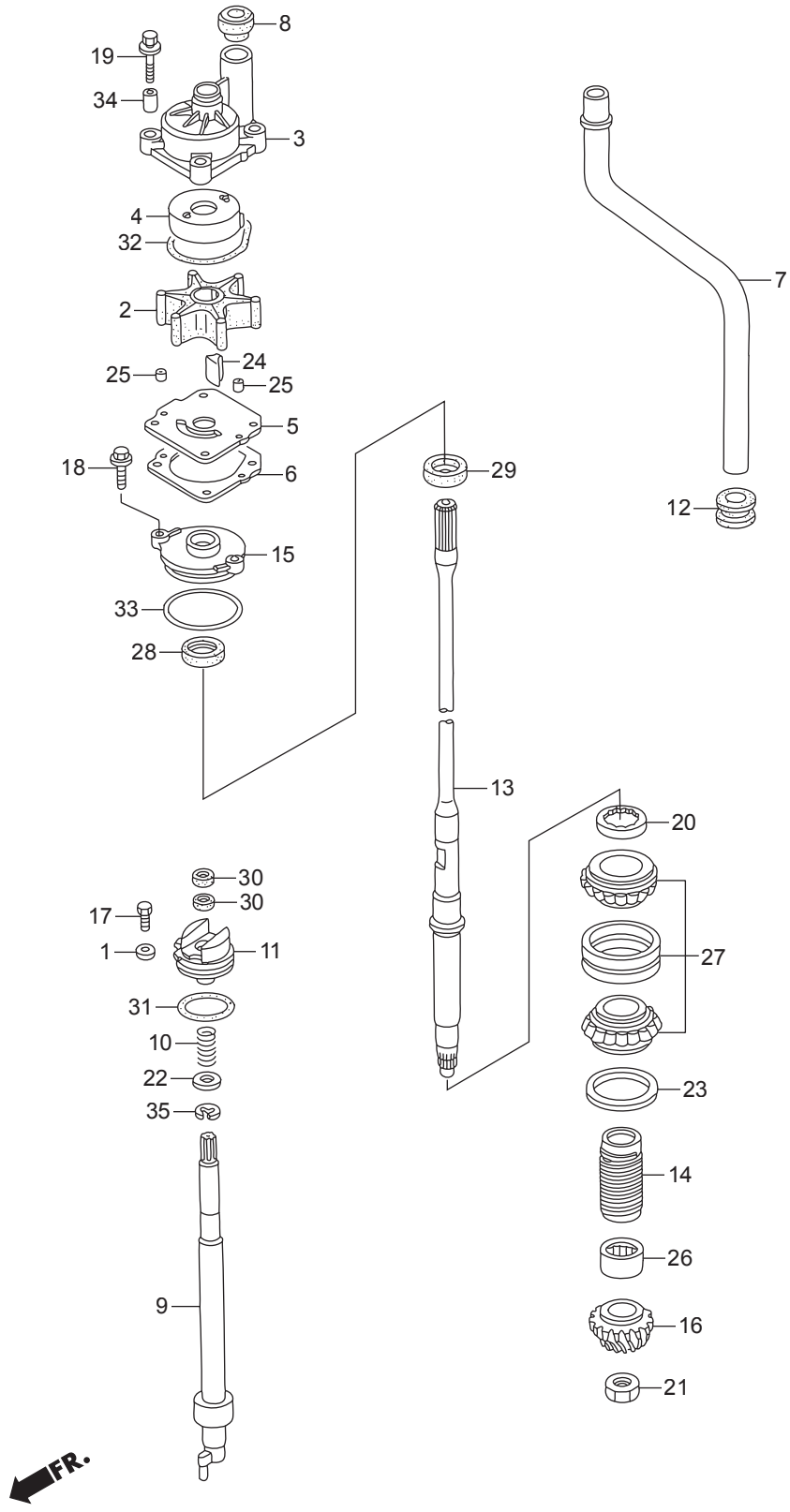


Ref.No.	Part No.	Description	Q' ty	Remarks	
			BFT115A		
F-2	29	HZY3-90028-000	BOLT, FLANGE, 6X18	2	
F-2	30	HZW9-90102-000	BOLT, FLANGE, 6X12	2	
F-2	31	HZW9-90105-000	BOLT, FLANGE, 6X20	2	
F-2	32	HZV5-90302-003	NUT, HEX., 20MM	1	
F-2	33	HZW5-90501-000	WASHER, SHIFT SHAFT	1	
F-2	34	HZY3-90507-000	WASHER, PLAIN, 12MM	1	
F-2	35	HZV7-90508-000	WASHER	1	
F-2	36	HZV4-90512-000	WASHER, PLAIN, 6MM	2	
F-2	37	H921-90518-000	WASHER, PLAIN, 8MM	1	
F-2	38	HZY3-90751-000	PIN, LINK	1	
F-2	39	HZY6-90752-000	PIN, SHIFT LINK	1	
F-2	40	HZY6-90753-000	PIN, LINK	1	
F-2	41	HZY6-90755-003	PIN, SNAP, 12MM	1	
F-2	42	HZY3-91001-003	BEARING, NEEDLE, 20X28X13	1	(SOLID)
F-2	43	HZY3-91152-003	RING, INNER(15X20X23)	1	
F-2	44	HZW5-91251-003	OIL SEAL, 14X26X6	1	
F-2	45	HZY3-91255-003	SEAL, WATER(14X26X8)	1	
F-2	46	HP0X-91321-003	O-RING, 25X2.4(NOK)	1	
F-2	47	HSV1-91549-L01	HOLDER, DRAIN TUBE	1	
F-2	48	HCO-94001-05490-0S	NUT, HEX., 5MM	1	
F-2	49	HCO-94540-04029	E-RING, 4MM	3	
F-2	50	HCO-94540-06029	E-RING, 6MM	1	
F-2	51	HCO-94540-12029	E-RING, 12MM	1	

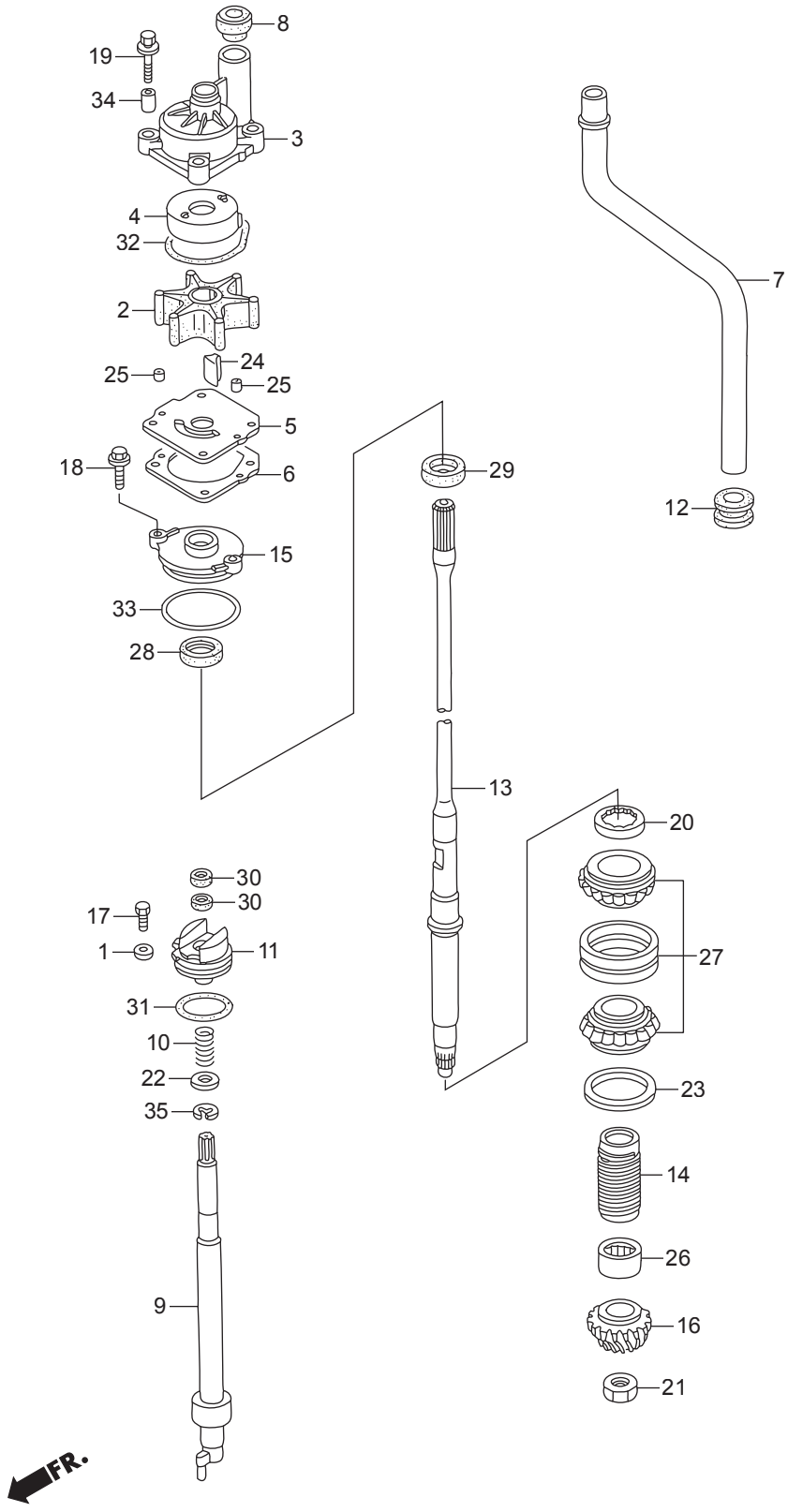
Ref.No.	Part No.	Description	Q' ty	Remarks	
			BFT115A		
F-3	1	HZW1-19286-B00	PLATE, RUBBER SETTING	1	
F-3	2	HKM3-32161-003	BAND, WIRE	2	
F-3	3	HZY6-41101-020ZC	CASE, GEAR	1	*T107* BAY BLUE
F-3	4	HZW1-41102-B00	GROMMET, GEAR CASE	1	
F-3	5	HZX2-41102-E00ZC	COVER, GEAR CASE	1	*T107* BAY BLUE XCA
F-3	6	HZY6-41104-010	SCREEN, R. WATER	1	
F-3	7	HZY6-41105-010	SCREEN, L. WATER	1	
F-3	8	HZX2-41107-C00ZC	TAB, TRIM	1	*T107* BAY BLUE LA,XA
F-3	9	HZW1-41109-B00	METAL COMP., ANODE	2	
F-3	10	HZV5-41171-000	END, NIPPLE	1	
F-3	11	HZV5-41172-000	NIPPLE, SENSOR	1	
F-3	12	HZW9-90101-003	BOLT, OIL CHECK	1	
F-3	13	HZY6-90103-000	BOLT-WASHER, 10X32	1	
F-3	14	HZY3-90120-000	BOLT, DRAIN PLUG	1	
F-3	15	HZY6-90123-000	BOLT-WASHER, 10X40	7	
F-3	16	HZY1-90205-000	NUT, SELF-LOCK, 6MM	1	
F-3	17	HZV4-90302-000	NUT, SELF-LOCK, 5MM	1	
F-3	18	HZV5-90756-000	DOWEL PIN, 6X10	2	
F-3	19	HZW4-91301-003	O-RING, 6.9X1.45	2	
F-3	20	HCO-92101-06050-4J	BOLT, HEX., 6X50	1	
F-3	21	HCO-93700-05050-4J	SCREW, OVAL, 5X50	1	
F-3	22	HCO-95005-50140-30	TUBE, 5X140	1	(HC-95005-50001-30M) LD,LU
F-3	22	HCO-95005-50270-30	TUBE, 5X270	1	(HC-95005-50001-30M) XU





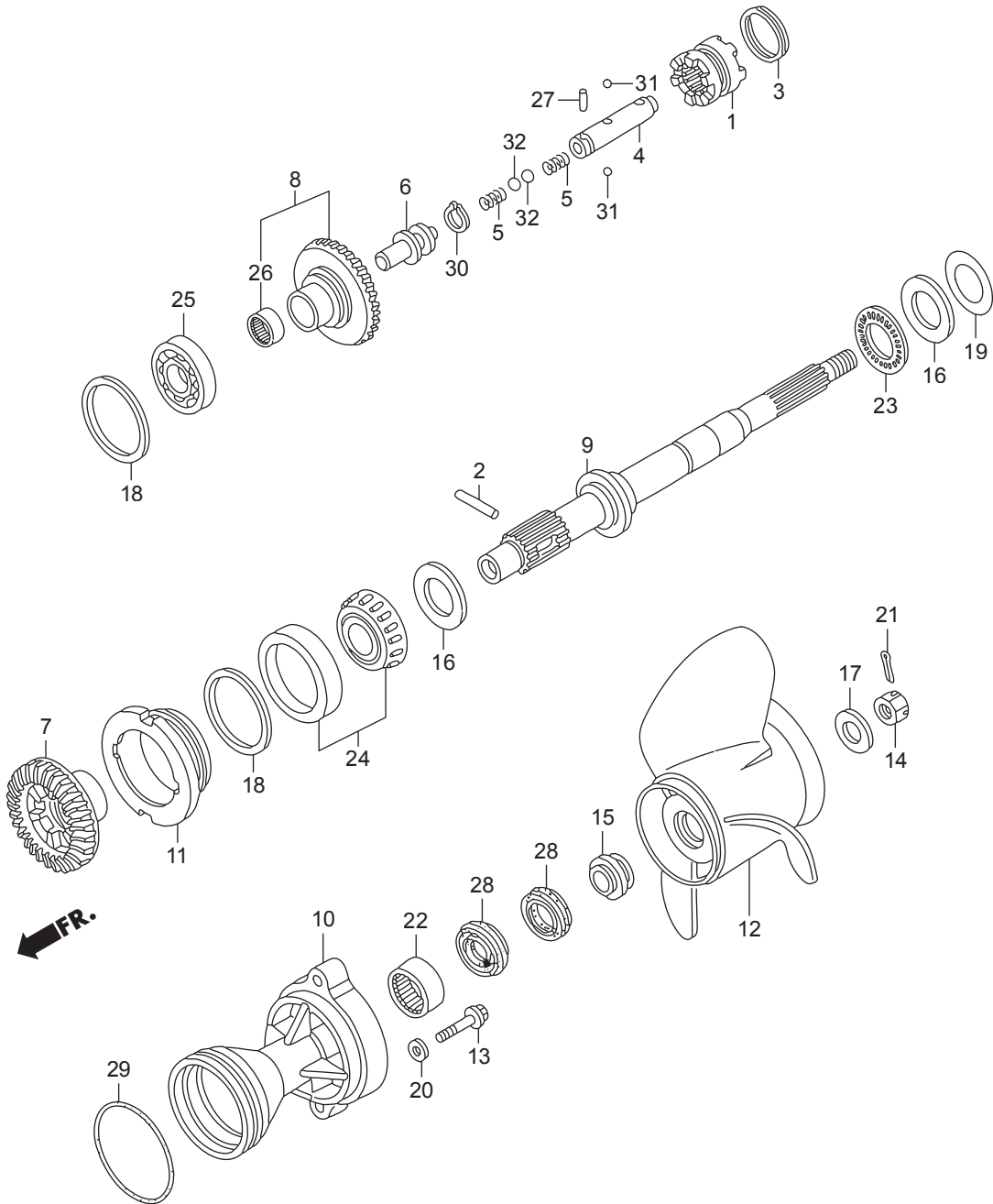


Ref.No.	Part No.	Description	Q' ty	Remarks	
			BFT115A		
F-4	1	H921-17936-000	WASHER, PIVOT	1	
F-4	2	HZW1-19210-B04	IMPELLER, PUMP	1	
F-4	3	HZY6-19221-A00	HOUSING, IMPELLER	1	
F-4	4	HZW1-19223-B00	LINER, PUMP	1	
F-4	5	HZY6-19231-000	COVER, IMPELLER	1	
F-4	6	HZY6-19234-000	GASKET B, IMPELLER	1	
F-4	7	HZY6-19251-000	TUBE, WATER(L)	1	LA
F-4	7	HZY6-19251-611	TUBE, WATER(XL)	1	XA,XCA
F-4	8	HZW1-19253-B01	RING, WATER TUBE SEAL	1	
F-4	9	HZY6-24310-000	ROD COMP., SHIFT	1	LA,XA
F-4	9	HZY6-24310-710	ROD COMP., SHIFT	1	(COUNTER ROTATION) XCA
F-4	10	HZY3-24318-000	SPRING, SHIFT ROD	1	
F-4	11	HZY6-24343-000	HOLDER, SHIFT ROD	1	XCA
F-4	11	HZY6-24343-000	HOLDER, SHIFT ROD	1	#~6000134 XA
F-4	11	HZY6-24343-000	HOLDER, SHIFT ROD	1	#~6000136 LA
F-4	11	HZY6-24343-010	HOLDER, SHIFT ROD	1	#6000135~ XA
F-4	11	HZY6-24343-010	HOLDER, SHIFT ROD	1	#6000137~ LA
F-4	12	HZW1-40204-000	GROMMET, EXTENSION CASE	1	
F-4	13	HZY6-41112-010	SHAFT, VERTICAL(L)	1	LA
F-4	13	HZY6-41112-611	SHAFT, VERTICAL(XL)	1	XA,XCA
F-4	14	HZW1-41116-B00	SLINGER, OIL	1	
F-4	15	HZZ3-41117-000	HOUSING, WATER SEAL	1	
F-4	16	HZY6-41131-000	GEAR, PINION	1	
F-4	17	H881-90105-000	BOLT, HEX., 6X12	1	
F-4	18	HZW9-90105-000	BOLT, FLANGE, 6X20	2	
F-4	19	HZY6-90116-000	BOLT-WASHER, 8X40	4	
F-4	20	HZW1-90242-000	NUT, LOCK, 64MM	1	
F-4	21	HZW5-90303-000	NUT, HEX., 18MM	1	
F-4	22	H723-90472-000	WASHER, PLAIN, 12MM	1	



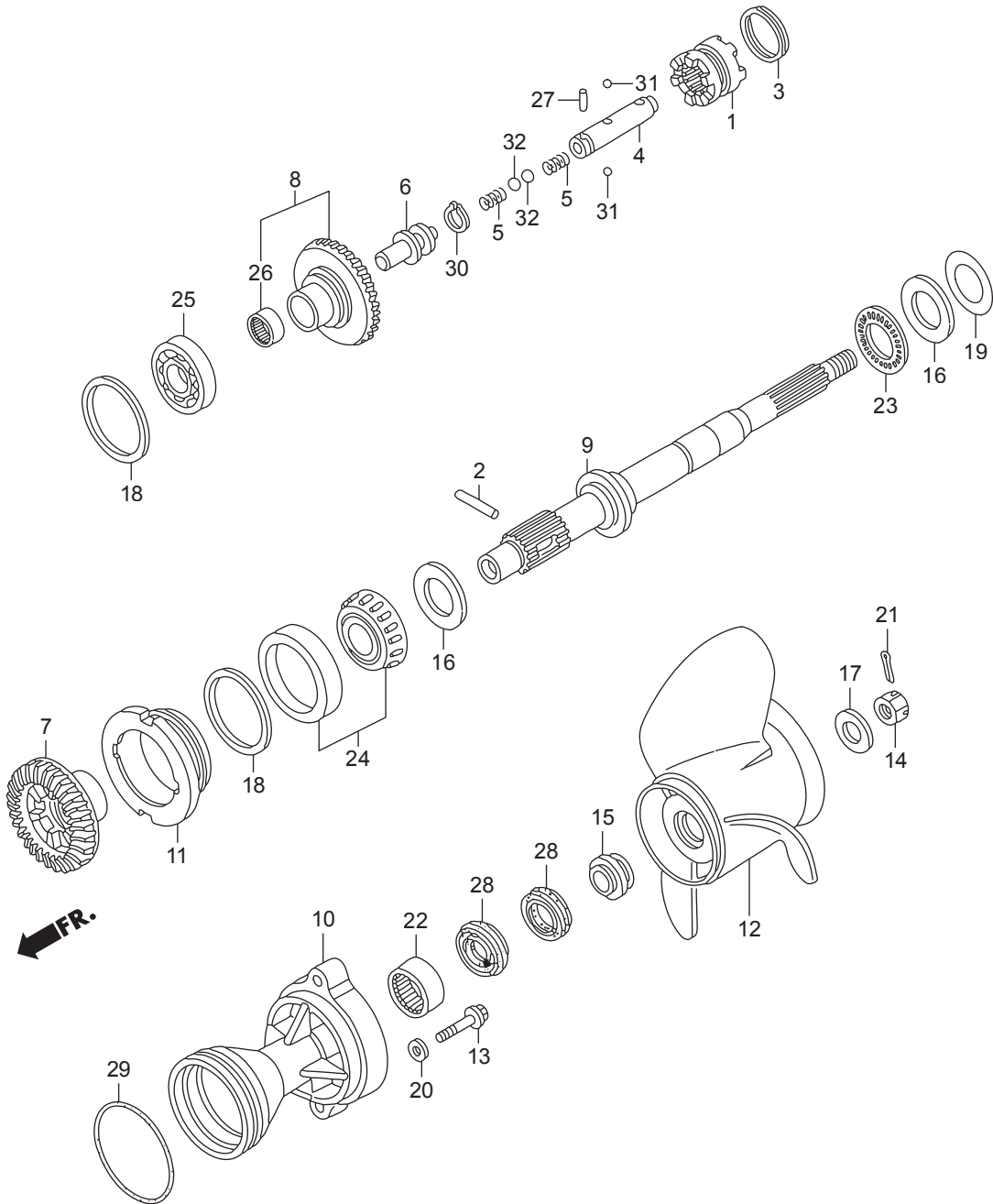
Ref.No.	Part No.	Description	Q' ty	Remarks	
			BFT115A		
F-5	1	HZY6-24101-000	SHIFTER, CLUTCH	1	LA,XA
F-5	2	HZW1-24102-B00	PIN, SHIFTER, 8X47	1	LA,XA
F-5	3	HZW1-24103-B00	RING, CROSS PIN	1	LA,XA
F-5	4	HZY6-24122-000	SLIDER, SHIFT	1	LA,XA
F-5	5	HZY6-24123-000	SPRING, SHIFT	2	LA,XA
F-5	6	HZY6-24124-000	PLATE, SHIFT	1	LA,XA
F-5	7	HZY6-41140-000	GEAR COMP., BEVEL(FORWARD 30T)	1	LA,XA
F-5	8	HZY6-41151-000	GEAR, BEVEL(RVS. 30T)	1	LA,XA
F-5	9	HZY6-41161-000	SHAFT, PROPELLER	1	LA,XA
F-5	10	HZY6-41201-000ZC	HOLDER, PROPELLER SHAFT	1	*T107* BAY BLUELA,XA
F-5	11	HZY3-58130-T00	PROPELLER COMP., THREE BLADES	1	(14-1/2X15)(SUS) LA,XA
F-5	11	HZY3-58130-T10	PROPELLER COMP., THREE BLADES	1	(14-1/4X17)(SUS) LA,XA
F-5	11	HZY3-58130-T20	PROPELLER COMP., THREE BLADES	1	(14X19)(SUS) LA,XA
F-5	11	HZY3-58130-T30	PROPELLER COMP., THREE BLADES	1	(14X21)(SUS) LA,XA
F-5	11	HZY3-58130-T40	PROPELLER COMP., THREE BLADES	1	(14-1/2X23)(SUS) LA,XA
F-5	11	HZY3-58130-T50	PROPELLER COMP., THREE BLADES	1	(14X25)(SUS) LA,XA
F-5	11	HZY3-58130-V01ZA	PROPELLER COMP., THREE BLADES	1	*NH283* (15-1/2X13)(AL) STIN GRAY LA,XA
F-5	11	HZY3-58130-V11ZA	PROPELLER COMP., THREE BLADES	1	*NH283* (15-1/4X15)(AL) STIN GRAY LA,XA
F-5	11	HZY3-58130-V21ZA	PROPELLER COMP., THREE BLADES	1	*NH283* (15X17)(AL) STIN GRAY LA,XA
F-5	11	HZY3-58130-V31ZA	PROPELLER COMP., THREE BLADES	1	*NH283* (14-3/4X19)(AL) STIN GRAY LA,XA
F-5	11	HZY3-58130-V41ZA	PROPELLER COMP., THREE BLADES	1	*NH283* (14-1/2X21)(AL) STIN GRAY LA,XA
F-5	11	HZY3-58130-V51ZA	PROPELLER COMP., THREE BLADES	1	*NH283* (14-1/4X23)(AL) STIN GRAY LA,XA
F-5	12	HZY6-90104-000	BOLT, FLANGE, 10X40	2	LA,XA
F-5	13	HZW1-90301-B00	NUT, CASTLE, 18MM	1	LA,XA
F-5	14	HZY3-90506-000	WASHER, PROPELLER THRUST	1	LA,XA
F-5	15	HZW5-90509-711	WASHER, THRUST BEARING	1	LA,XA
F-5	16	HZY3-90512-000	WASHER, PROPELLER	1	LA,XA
F-5	17	HZY3-90528-000	SHIM A, BEVEL(0.10)	1	LA,XA
F-5	17	HZY3-90529-000	SHIM B, BEVEL(0.15)	1	LA,XA

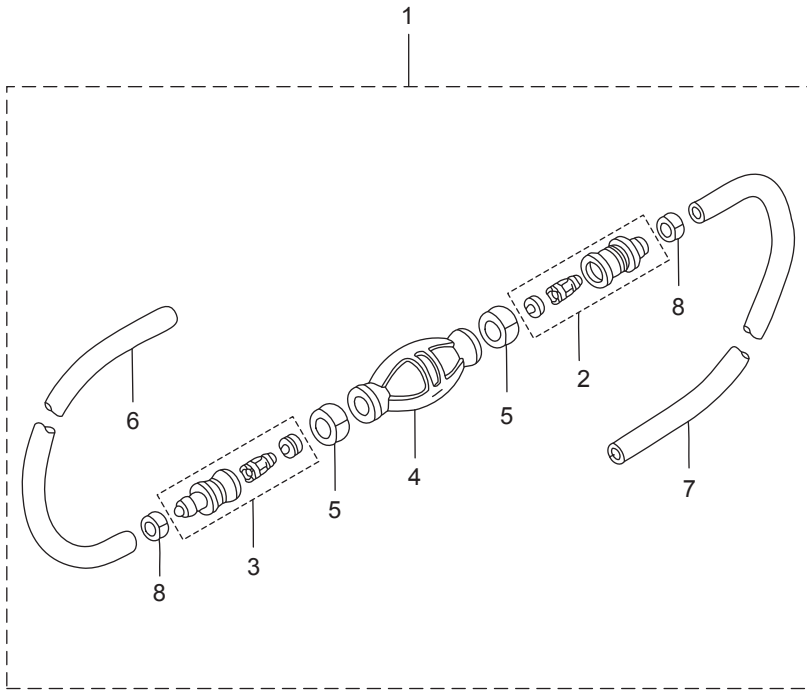
PROPELLER SHAFT/PROPELLER
(XCA)

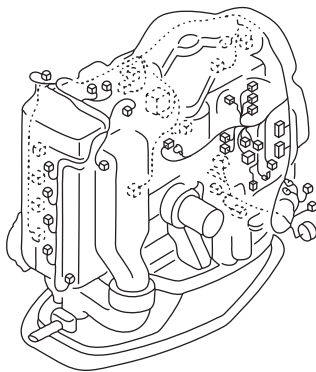
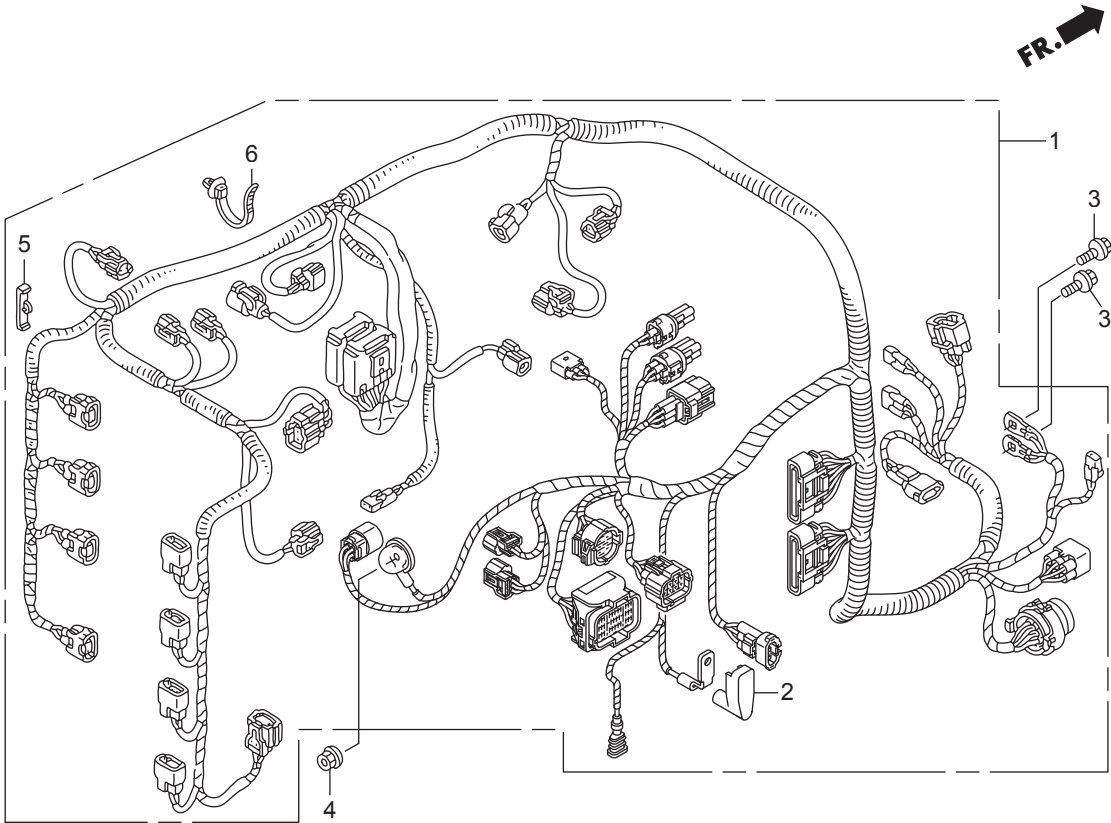


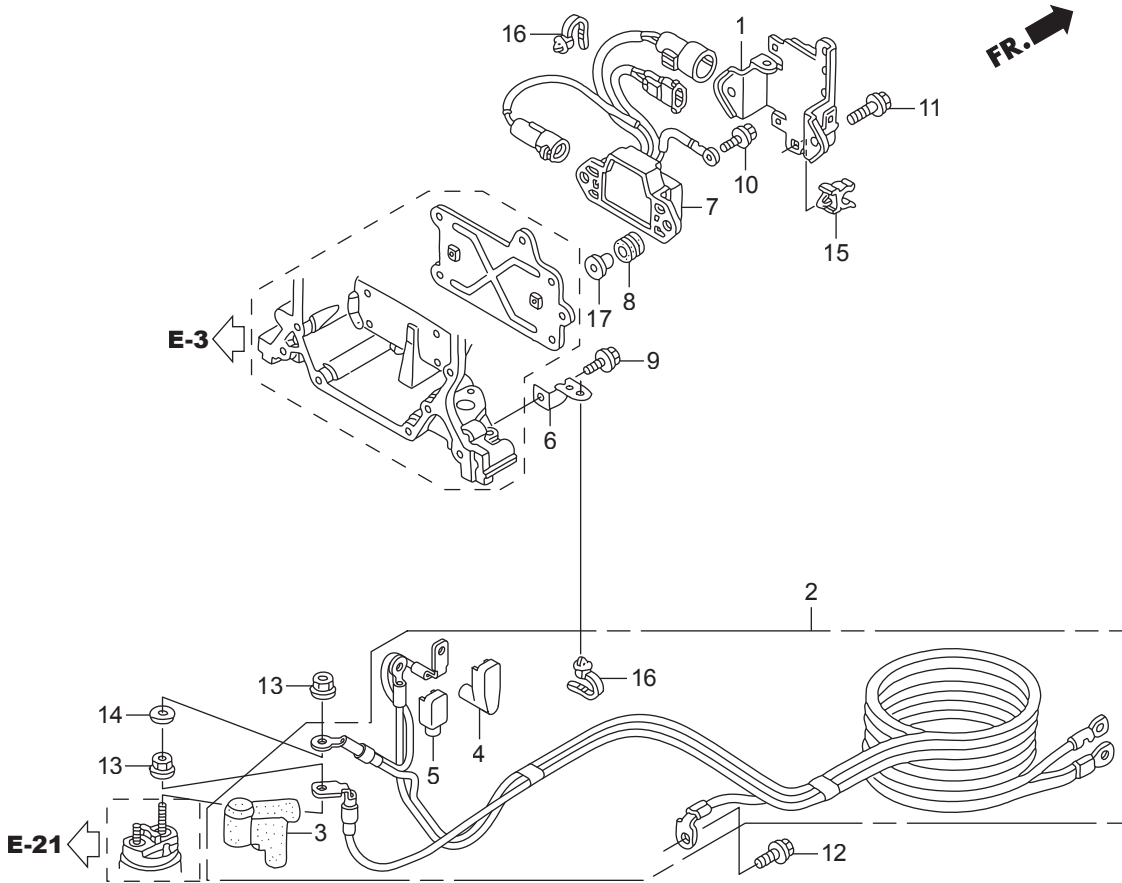
Ref.No.	Part No.	Description	Q' ty	Remarks	
			BFT115A		
F-5-1	1	HZY6-24101-000	SHIFTER, CLUTCH	1	XCA
F-5-1	2	HZW1-24102-B00	PIN, SHIFTER, 8X47	1	XCA
F-5-1	3	HZW1-24103-B00	RING, CROSS PIN	1	XCA
F-5-1	4	HZY6-24122-000	SLIDER, SHIFT	1	XCA
F-5-1	5	HZY6-24123-000	SPRING, SHIFT	2	XCA
F-5-1	6	HZY6-24124-000	PLATE, SHIFT	1	XCA
F-5-1	7	HZY6-41141-710	GEAR, BEVEL(FORWARD 30T)	1	(COUNTER ROTATION) XCA
F-5-1	8	HZY6-41150-710	GEAR COMP., BEVEL(RVS. 30T)	1	(COUNTER ROTATION) XCA
F-5-1	9	HZY6-41161-710	SHAFT, PROPELLER	1	(COUNTER ROTATION) XCA
F-5-1	10	HZY6-41201-710ZC	HOLDER, PROPELLER SHAFT	1	*T107* BAY BLUE XCA
F-5-1	11	HZY6-41202-710	HOLDER, BEARING	1	(COUNTER ROTATION) XCA
F-5-1	12	HZY3-58180-T00	PROPELLER COMP., THREE BLADES	1	(14-1/2X15)(C/R) XCA
F-5-1	12	HZY3-58180-T10	PROPELLER COMP., THREE BLADES	1	(14-1/4X17)(C/R) XCA
F-5-1	12	HZY3-58180-T20	PROPELLER COMP., THREE BLADES	1	(14X19)(C/R) XCA
F-5-1	12	HZY3-58180-T30	PROPELLER COMP., THREE BLADES	1	(14X21)(C/R) XCA
F-5-1	12	HZY3-58180-T40	PROPELLER COMP., THREE BLADES	1	(14-1/2X23)(C/R) XCA
F-5-1	13	HZY6-90104-000	BOLT, FLANGE, 10X40	2	XCA
F-5-1	14	HZW1-90301-B00	NUT, CASTLE, 18MM	1	XCA
F-5-1	15	HZY3-90506-000	WASHER, PROPELLER THRUST	1	XCA
F-5-1	16	HZW5-90509-711	WASHER, THRUST BEARING	2	XCA
F-5-1	17	HZY3-90512-000	WASHER, PROPELLER	1	XCA
F-5-1	18	HZY3-90528-000	SHIM A, BEVEL(0.10)	1	XCA
F-5-1	18	HZY3-90529-000	SHIM B, BEVEL(0.15)	1	XCA
F-5-1	18	HZY3-90530-000	SHIM C, BEVEL(0.30)	1	XCA
F-5-1	18	HZY3-90531-000	SHIM D, BEVEL(0.50)	1	XCA
F-5-1	19	HZW5-90548-710	SHIM A, THRUST(0.10)	1	XCA
F-5-1	19	HZW5-90549-710	SHIM B, THRUST(0.15)	1	XCA
F-5-1	19	HZW5-90550-710	SHIM C, THRUST(0.30)	1	XCA
F-5-1	19	HZW5-90551-710	SHIM D, THRUST(0.50)	1	XCA

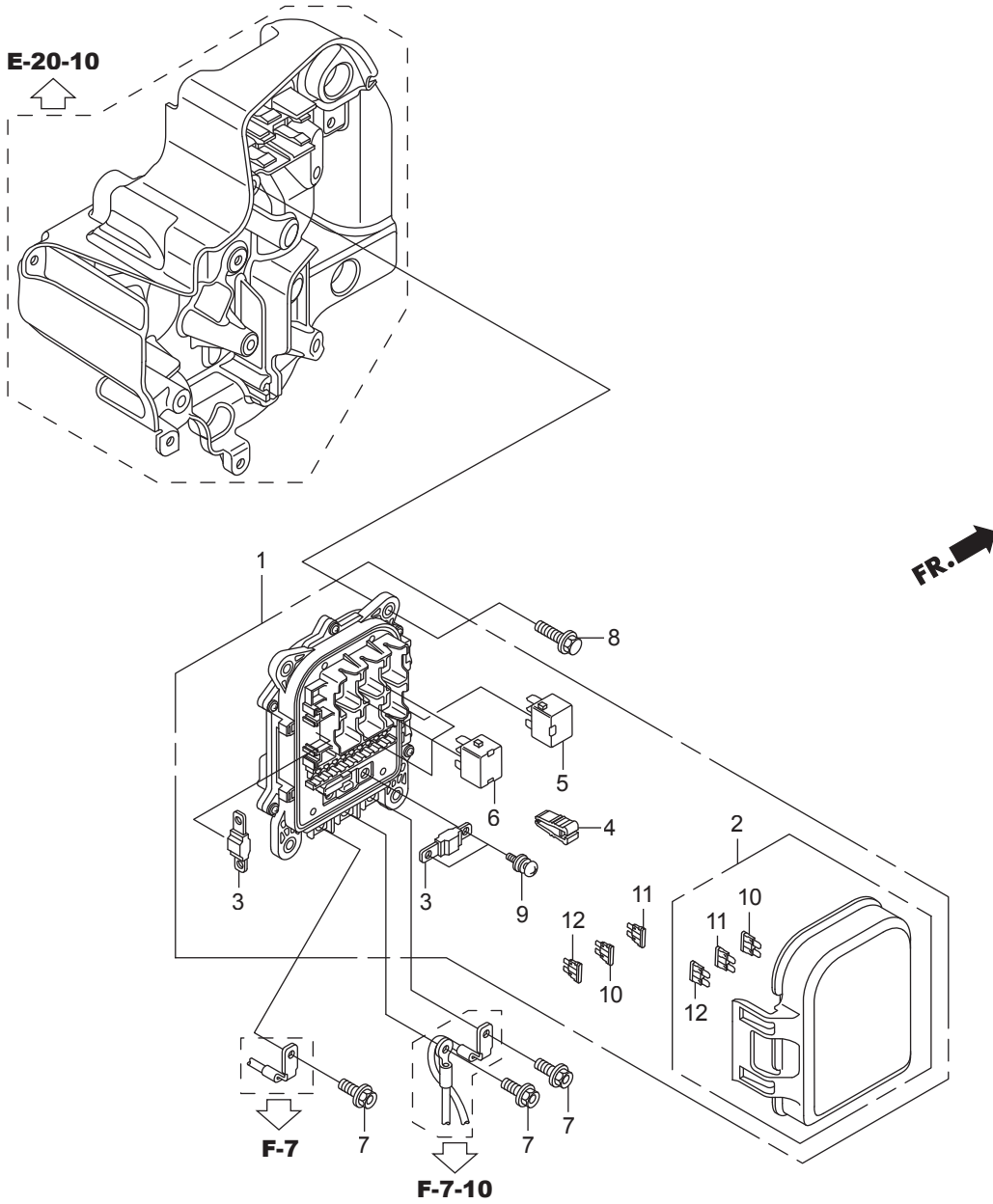
PROPELLER SHAFT/PROPELLER
(XCA)



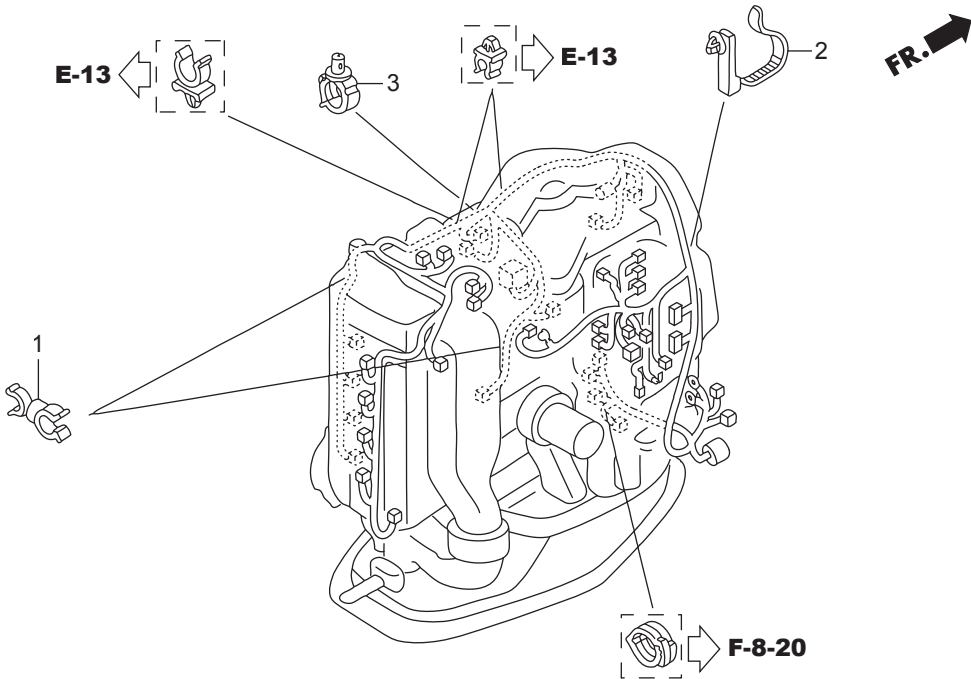


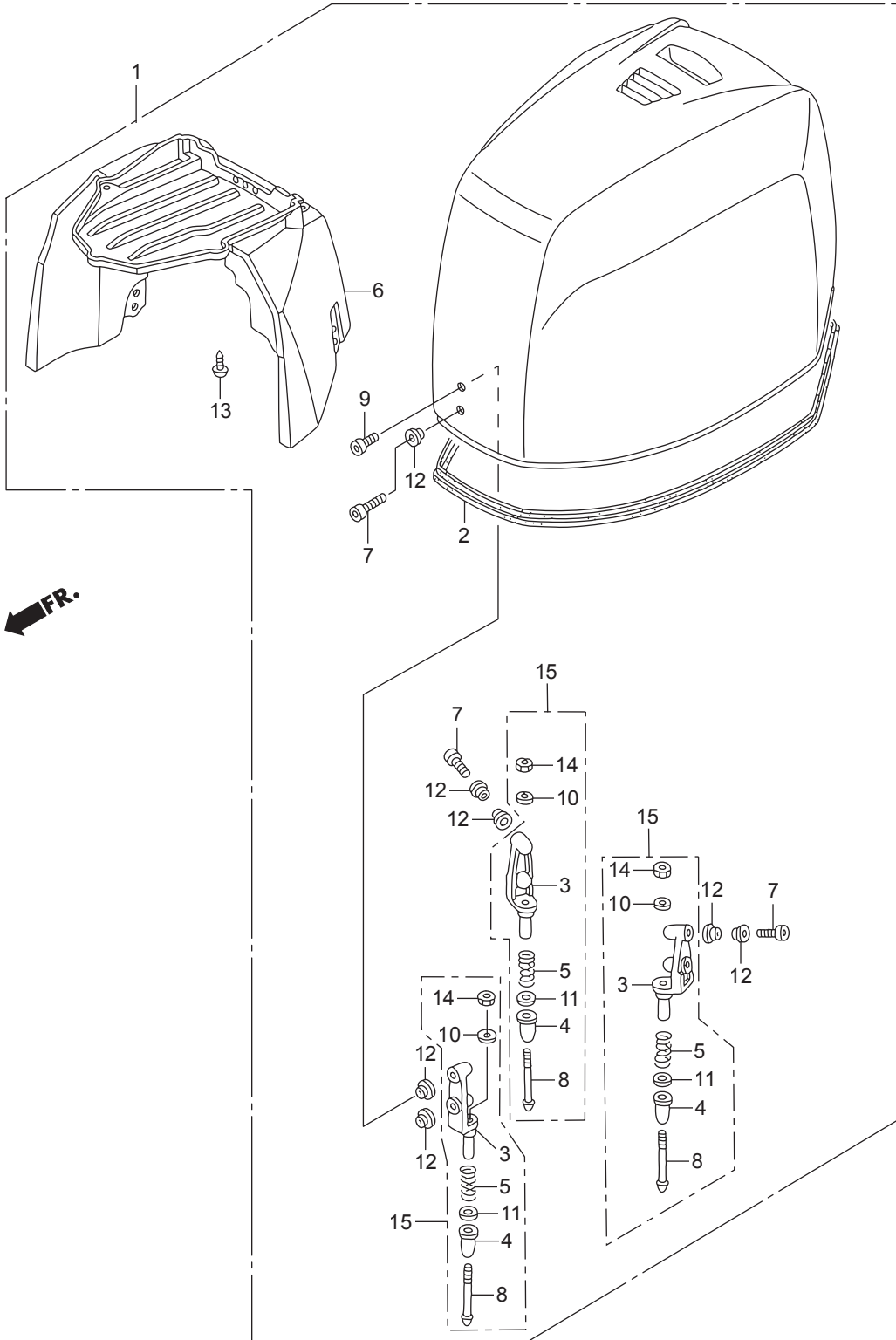


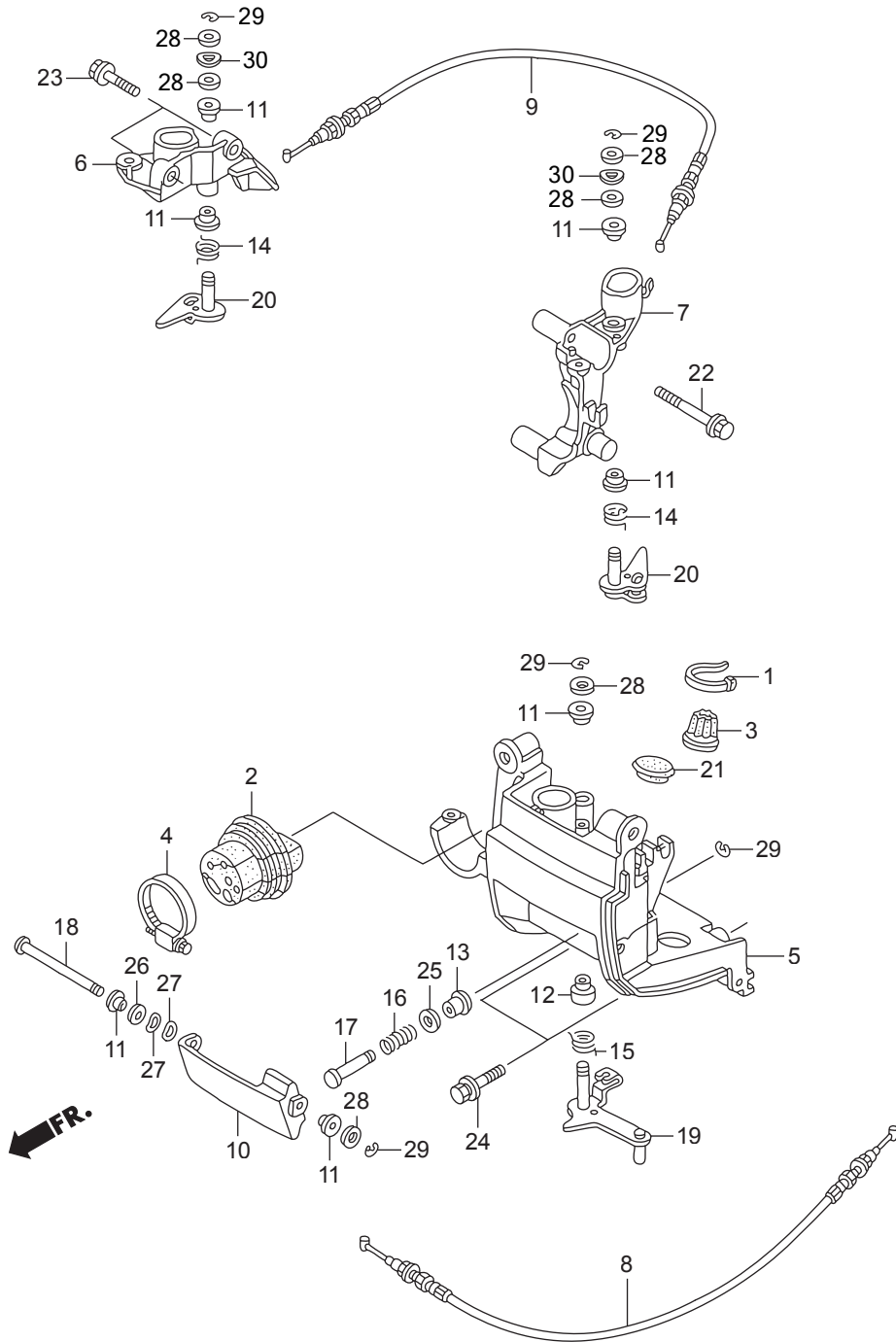




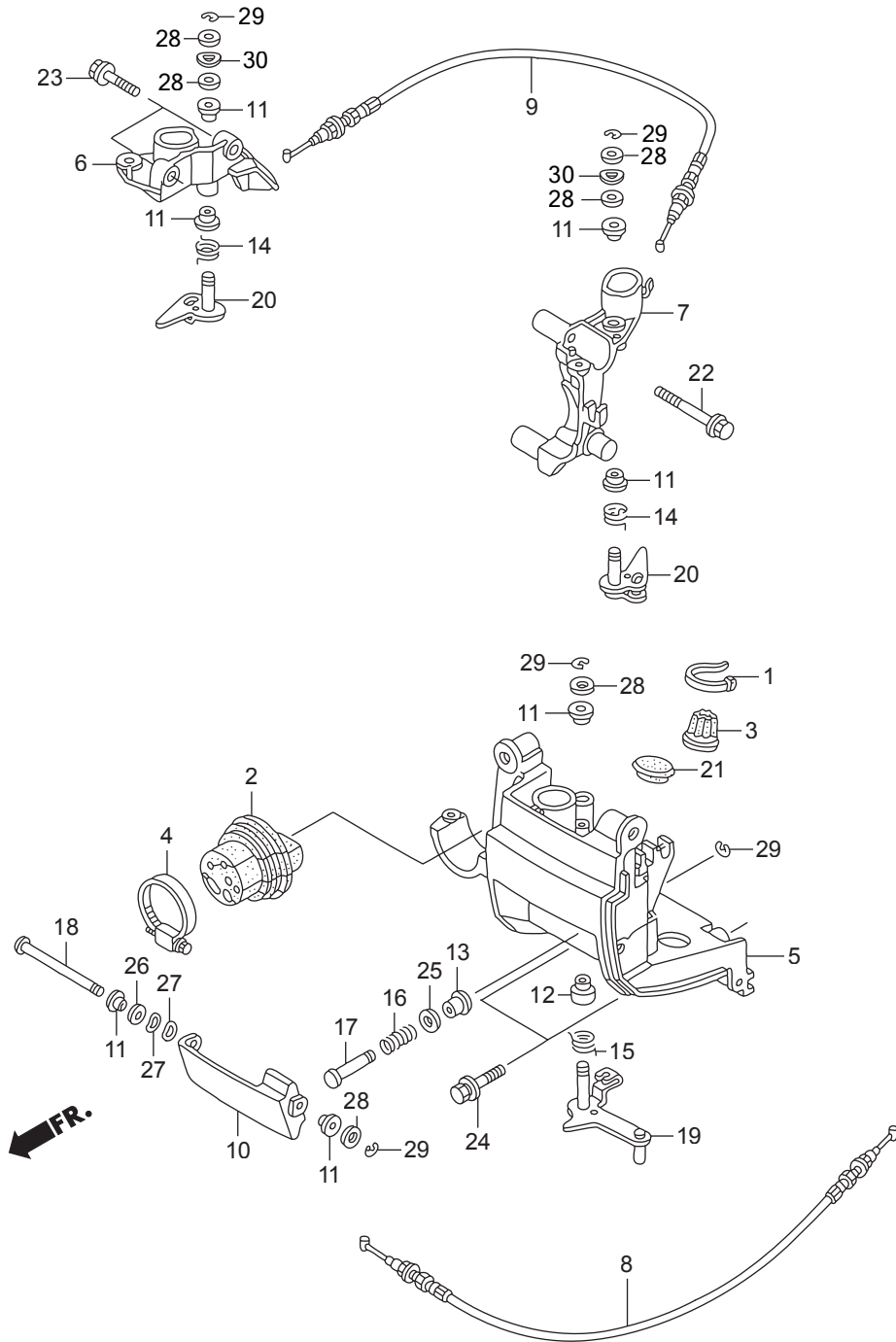
Ref.No.	Part No.	Description	Q' ty	Remarks	
			BFT115A		
F-7-20	1	HZY6-32370-004	BOX ASSY., JUNCTION	1	
F-7-20					
F-7-20					
F-7-20					
F-7-20	2	HZY6-32371-004	COVER COMP., FUSE	1	
F-7-20					
F-7-20					
F-7-20					
F-7-20	3	HZY6-38228-003	FUSE, BLOCK 100A(L TYPE)	2	
F-7-20	4	HZY6-38235-004	PULLER, MINI FUSE	1	
F-7-20					
F-7-20					
F-7-20					
F-7-20	5	HSDA-39794-004	RELAY ASSY., FUEL PUMP(DENSO)	1	
F-7-20	6	HZY6-39794-003	RELAY ASSY., POWER(12V-20A)	3	(MICRO ISO 4P)
F-7-20	7	HZW9-90013-000	BOLT, FLANGE, 6X12	3	
F-7-20	8	HZW5-90018-000	BOLT, FLANGE, 6X20	4	
F-7-20	9	HZY6-90135-004	SCREW-WASHER, 5X15	2	
F-7-20					
F-7-20					
F-7-20					
F-7-20	10	HCO-98200-41000	FUSE, MINI(10A)	4	
F-7-20	11	HCO-98200-41500	FUSE, MINI(15A)	3	
F-7-20	12	HCO-98200-43000	FUSE, MINI(30A)	3	



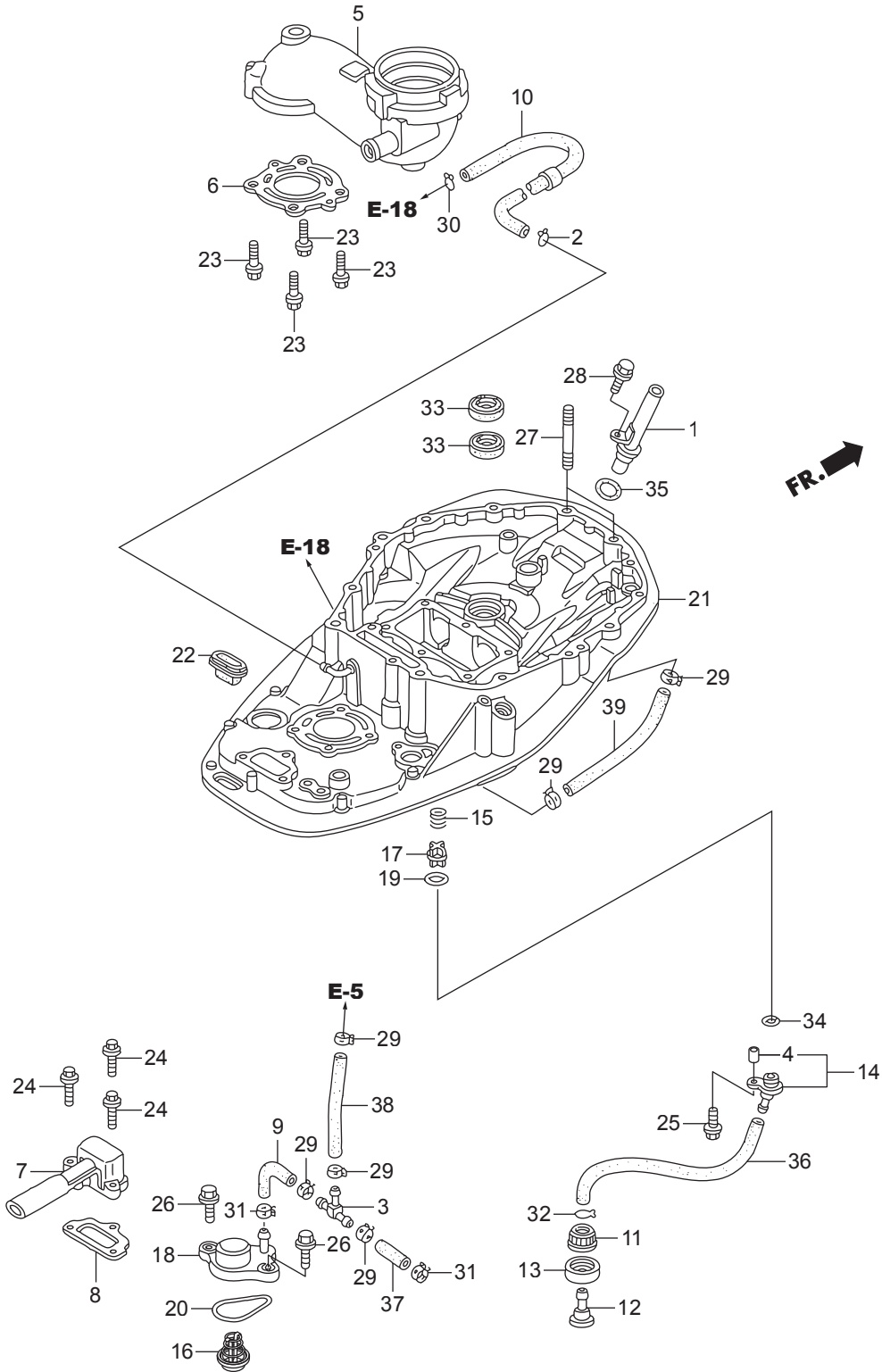




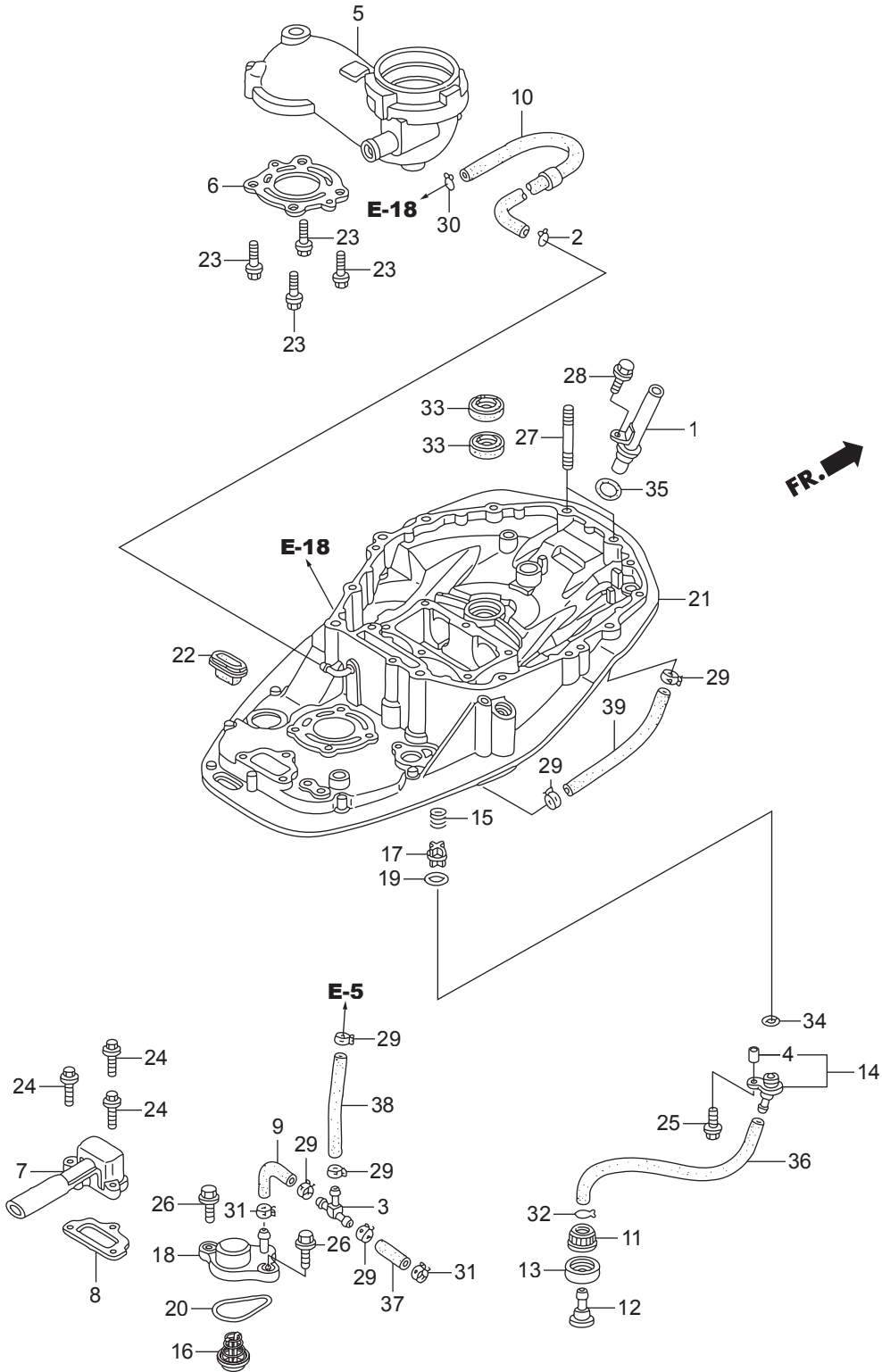
Ref.No.	Part No.	Description	Q' ty	Remarks	
			BFT115A		
F-8-10	1	HMG9-35701-950	BAND(BLACK 3.5X140)	1	
F-8-10	2	HZY6-40105-020	GROMMET, REMOTE CONTROL CABLE	1	
F-8-10	3	HZW1-40107-700	GROMMET, UNDER CASE(C)	1	
F-8-10	4	HZY3-40119-003	BAND, UNDER CASE GROMMET	1	
F-8-10	5	HZY6-40154-000ZC	BRACKET, FR. UNDER COVER	1	*T107* BAY BLUE
F-8-10	6	HZY6-40155-000	BRACKET, R. SIDE COVER	1	
F-8-10	7	HZY6-40157-000	BRACKET, L. SIDE COVER	1	
F-8-10	8	HZY6-60180-003	CABLE COMP. A, COVER LOCK	1	
F-8-10	9	HZY6-60185-003	CABLE COMP. B, COVER LOCK	1	
F-8-10	10	HZY3-63201-000ZC	LEVER, COVER LOCK	1	*T107* BAY BLUE
F-8-10	11	HZY3-63205-000	BUSH A, COVER LOCK	7	
F-8-10	12	HZY6-63205-000	BUSH A, COVER LOCK	1	
F-8-10	13	HZY3-63208-000	BUSH B, COVER LOCK	1	
F-8-10	14	HZY3-63212-000	SPRING, COVER LOCK HOOK	2	
F-8-10	15	HZY6-63212-000	SPRING, COVER LOCK HOOK	1	
F-8-10	16	HZY6-63223-000	SPRING, LOCK LEVER RETURN	1	
F-8-10	17	HZY3-63224-000	SHAFT, COVER OPEN	1	
F-8-10	18	HZY6-63225-000	SHAFT, FR. LOCK	1	
F-8-10	19	HZY6-63240-000	LOCK COMP., FR.	1	XCA #~6000128 LA,XA
F-8-10	19	HZY6-63240-010	LOCK COMP., FR.	1	#6000129~ LA,XA
F-8-10	20	HZY3-63260-000	LOCK COMP., SIDE	2	XCA #~6000128 LA,XA
F-8-10	20	HZY3-63260-C00	LOCK COMP., SIDE	2	#6000129~ LA,XA
F-8-10	21	HZC0-63515-700	CAP, L. SIDE COVER	1	
F-8-10	22	HZY6-90001-000	BOLT, FLANGE, 8X55	2	
F-8-10	23	HZY3-90030-000	BOLT, FLANGE, 6X22	2	
F-8-10	24	HZY6-90105-000	BOLT-WASHER, 8X30	2	
F-8-10	25	HMM8-90501-610	WASHER, PLAIN, 8MM	1	
F-8-10	26	HMM8-90502-610	WASHER, PLAIN, 10MM	1	
F-8-10	27	HZW9-90506-000	WASHER, WAVE, 10MM	2	

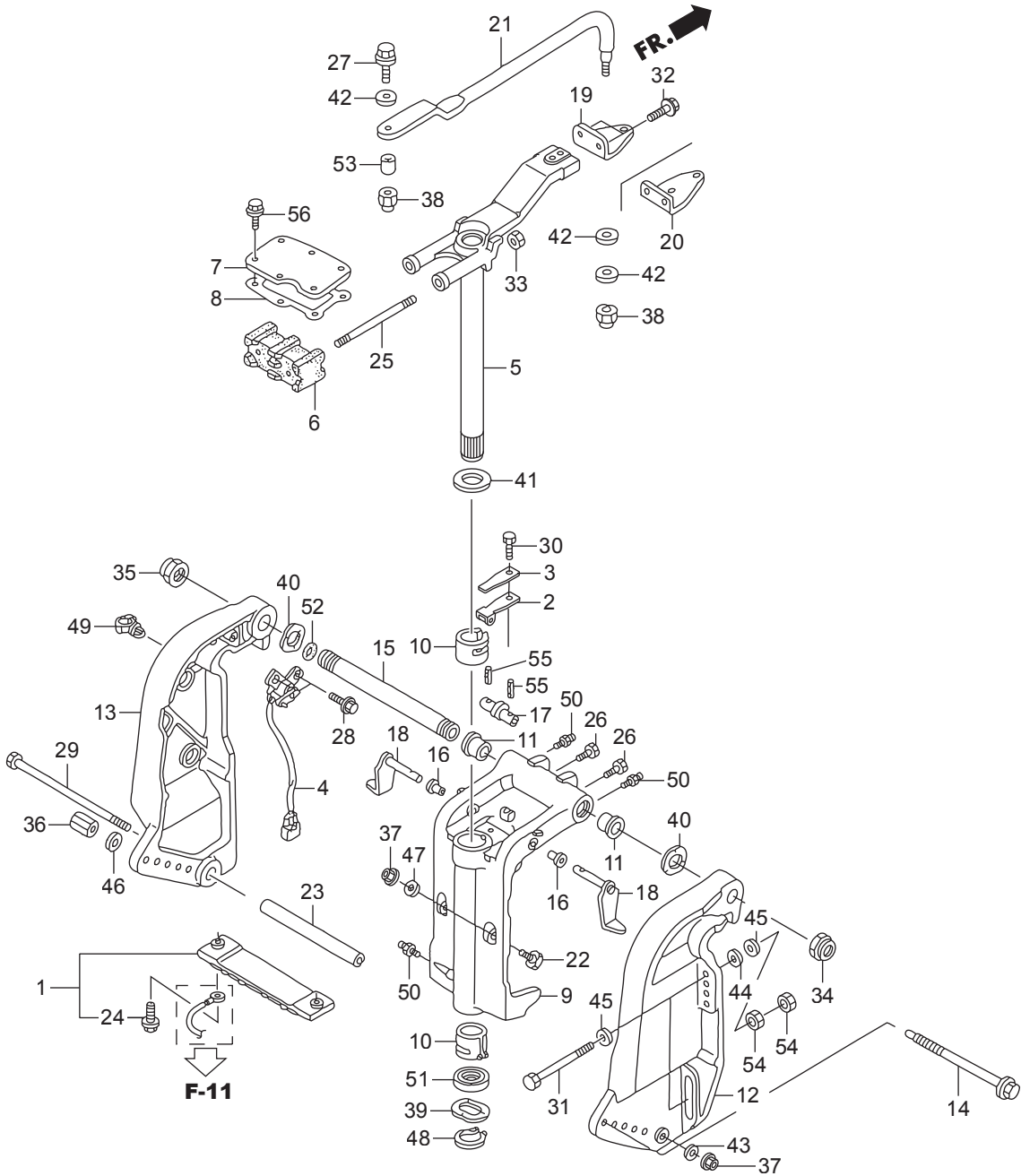


Ref.No.	Part No.	Description	Q' ty	Remarks	
			BFT115A		
F-8-20	1	HZY6-19289-000	CAP, WATER JOINT	1	
F-8-20	2	HZY6-35640-003	SWITCH ASSY., POWER TILT	1	
F-8-20	3	HZY3-35645-000	STAY, POWER TILT SWITCH	1	
F-8-20	4	HZY6-40114-010	GROMMET, POWER TILT SWITCH	1	
F-8-20	5	HZY6-40116-000	GROMMET, UNDER COVER	1	
F-8-20	6	HZY6-40151-010ZD	COVER, FR. SEPARATE	1	*T107* BAY BLUE
F-8-20	7	HZY6-40152-300	SEAL, FR. SEPARATE COVER	1	
F-8-20	8	HZY6-40212-020ZC	COVER, DRAIN PLUG	1	*T107* BAY BLUE
F-8-20	9	HZY6-63711-010ZC	COVER, R. ENGINE UNDER	1	*T107* BAY BLUE
F-8-20	10	HZY6-63716-010ZC	COVER, L. ENGINE UNDER	1	*T107* BAY BLUE
F-8-20	11	HZY6-63718-000	SEAL A, COVER UNDER	1	
F-8-20	12	HZY6-63719-000	SEAL B, COVER UNDER	1	
F-8-20	13	HZY6-82873-000	GROMMET, WATER CHECK	1	
F-8-20	14	HZY3-90111-000	BOLT, SPECIAL, 6X17	12	
F-8-20	15	HZV5-90127-003	SCREW, RIVET, 5X10	2	
F-8-20	16	HZY6-90301-000	NUT, CLIP	6	
F-8-20	17	H921-90302-000	NUT, HEX., 16MM	1	
F-8-20	18	HZB5-90626-730	CLIP(10.7MM)	2	
F-8-20	19	HHC4-90653-900	CLIP, MUDGUARD	6	
F-8-20	20	HKJ2-90683-003	CLIP, WIRE HARNESS	1	
F-8-20	21	HZY6-91553-000	COLLAR, DISTANCE, 6.5X9X5	6	
F-8-20	22	HCO-93500-06025-4J	SCREW, PAN, 6X25	6	
F-8-20	23	HCO-95011-62000	RUBBER B, STAND STOPPER	2	

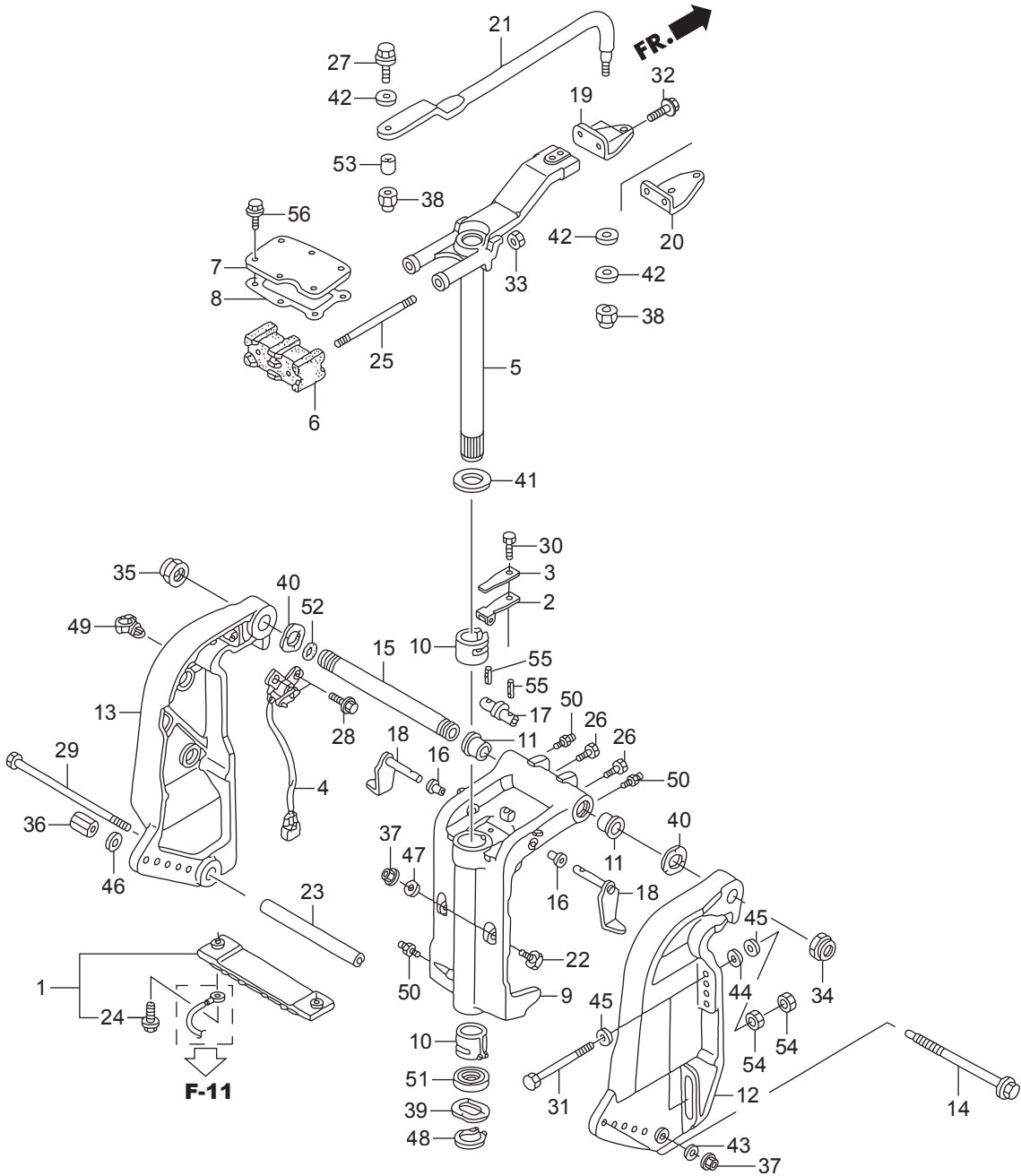


Ref.No.	Part No.	Description	Q' ty	Remarks	
			BFT115A		
F-9	1	HZW1-15665-020	PIPE COMP., OIL LEVEL	1	
F-9	2	HGHB-16163-610	CLIP, TUBE	1	
F-9	3	HMN5-17195-000	T-JOINT	1	
F-9	4	HZV5-17202-310	COLLAR, DISTANCE, 6.5X11X7.5	1	
F-9	5	HZY6-18130-000ZA	GUIDE COMP., EX.	1	*NH8* DARK GRAY
F-9	6	HZY6-18135-003	GASKET, EX. GUIDE	1	
F-9	7	HZY6-18211-000	PORT, IDLE EXHAUST	1	
F-9	8	HZY6-18212-000	GASKET, IDLE EX. PORT	1	
F-9	9	HZY6-19256-000	TUBE, WATER RELIEF	1	
F-9	10	HZY6-19267-010	TUBE F, WATER	1	
F-9	11	HZY3-19270-000	NUT, WATER MOUTH	1	
F-9	12	HZY3-19271-000	JOINT, WATER HOSE	1	
F-9	13	HZY3-19272-000	SEAT, WATER MOUTH	1	
F-9	14	HZZ3-19277-000	COVER, FLUSH VALVE	1	
F-9	15	HZW9-19279-000	SPRING, FLUSH VALVE	1	
F-9	16	HZY6-19290-003	VALVE ASSY., RELIEF	1	
F-9	17	HZW9-19291-000	VALVE, FLASH	1	
F-9	18	HZY6-19295-000	COVER, RELIEF VALVE	1	
F-9	19	HZW9-19297-000	PACKING, FLASH VALVE	1	
F-9	20	HZW9-19317-000	O-RING, THERMOSTAT COVER	1	
F-9	21	HZY6-23170-000ZA	CASE COMP., MOUNT	1	*NH8* DARK GRAY
F-9	22	HZY3-23173-010	RUBBER, MOUNT CASE SEAL	1	
F-9	23	HZY6-90014-000	BOLT, FLANGE, 8X30	4	
F-9	24	HZW9-90016-000	BOLT, FLANGE, 6X25	3	
F-9	25	HZY3-90017-000	BOLT, FLANGE, 6X16	1	
F-9	26	HZY3-90030-000	BOLT, FLANGE, 6X22	2	
F-9	27	HZY6-90045-000	BOLT, STUD, 10X55	2	
F-9	28	HZY3-90056-000	BOLT, FLANGE, 6X12	1	
F-9	29	HZY3-90601-030	CLAMP, TUBE(D10.5)	6	

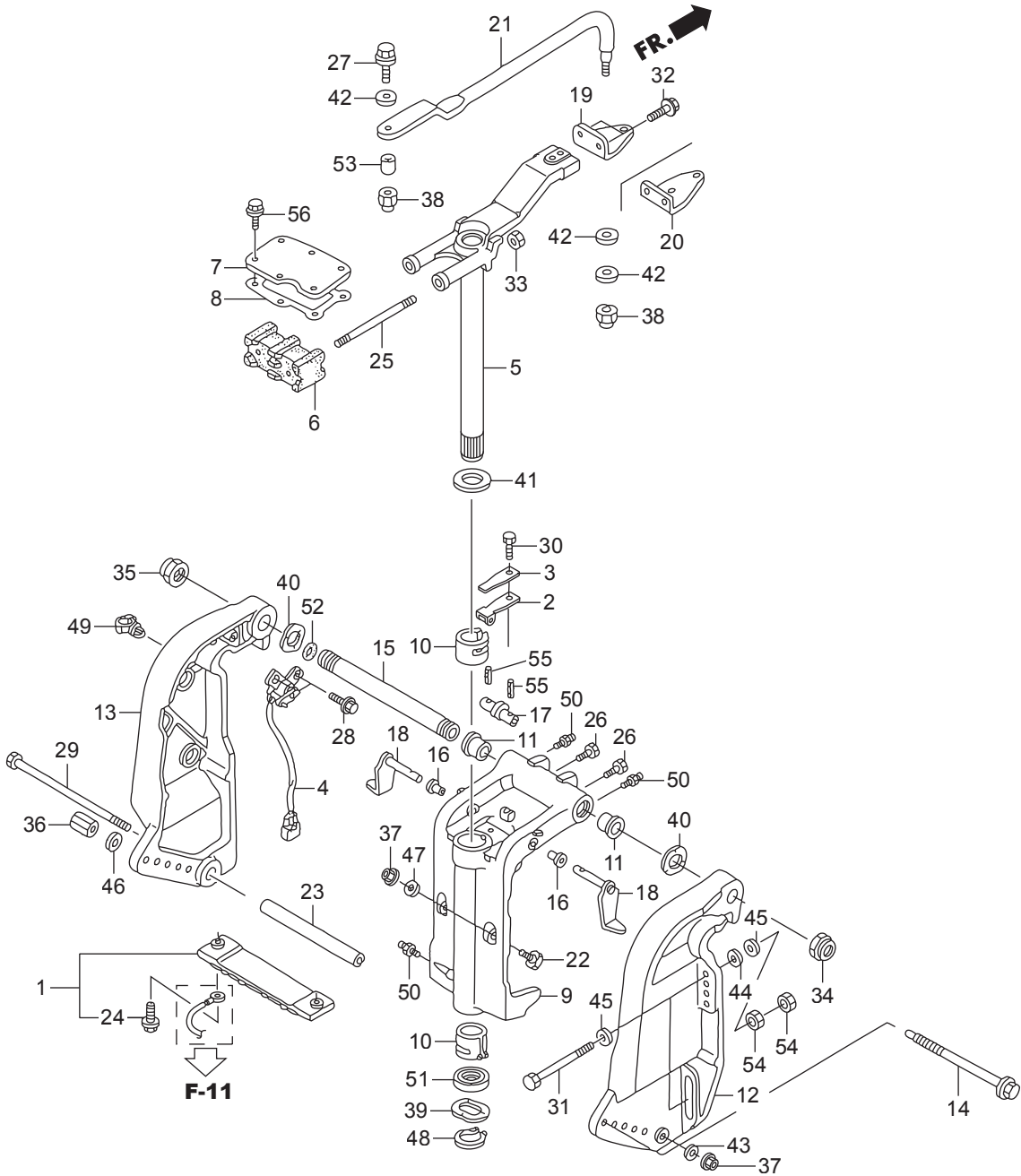


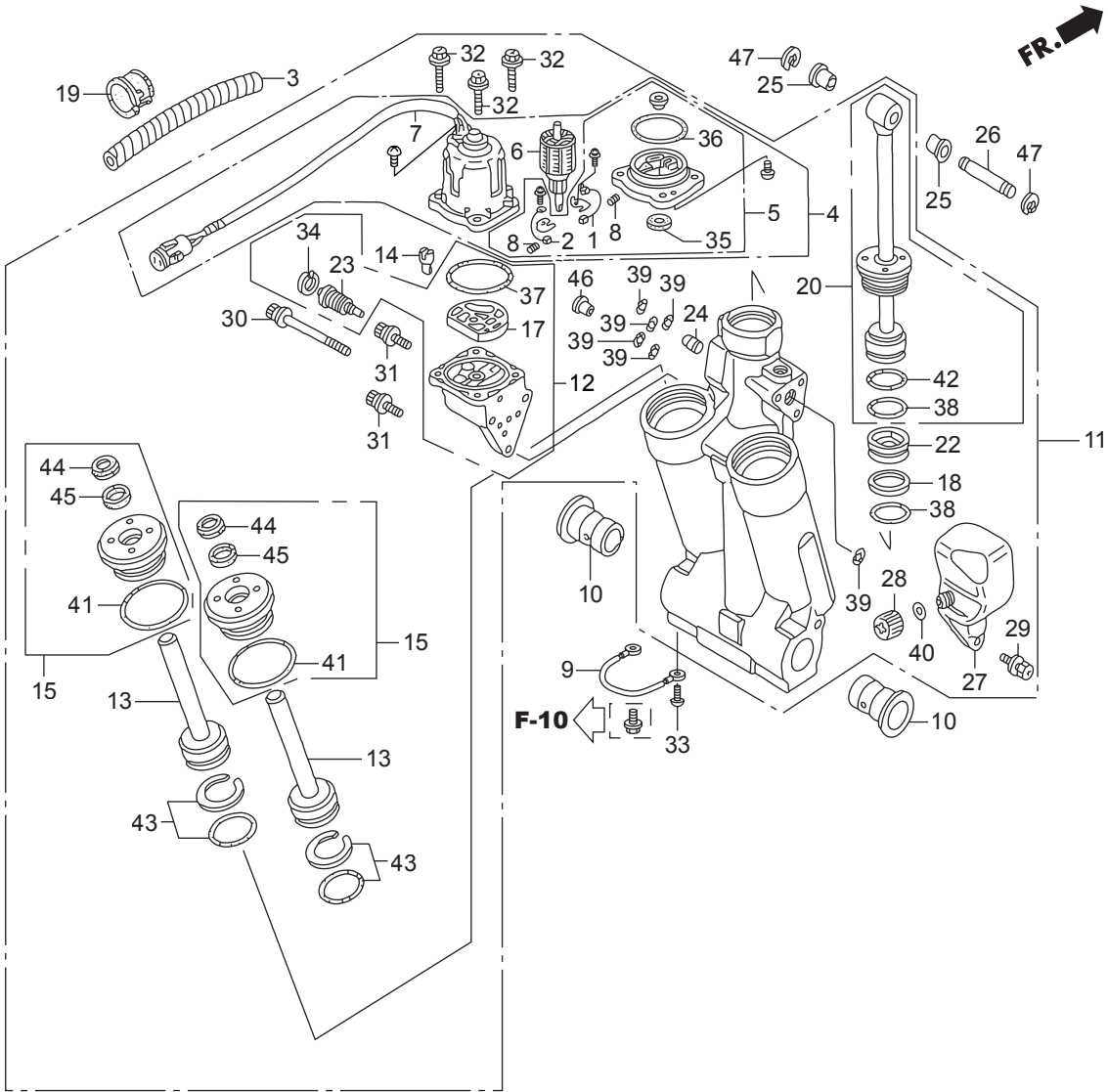


Ref.No.	Part No.	Description	Q' ty	Remarks	
			BFT115A		
F-10	1	HZW1-06411-020	METAL KIT, ANODE	1	
F-10	2	HZV1-24210-010	SPRING COMP., CLICK	1	
F-10	3	HZV4-24221-010	SPRING, CLICK ASSIST	1	
F-10	4	HZY6-35660-013	SENSOR ASSY., TRIM ANGLE	1	
F-10	5	HZX1-50100-000	FRAME COMP., MOUNTING	1	
F-10	6	HZW5-50151-000	MOUNT COMP., UPPER RUBBER	1	
F-10	7	HZY6-50167-000	HOLDER, UPPER MOUNTING	1	
F-10	8	HZY6-50168-003	GASKET, UPPER MOUNTING HOLDER	1	
F-10	9	HZW1-50201-040ZC	CASE, SWIVEL	1	*T107* BAY BLUE
F-10	10	HZZ5-50211-000	LINER, SWIVEL CASE	2	
F-10	11	HZW1-50214-000	BUSH, SWIVEL CASE	2	
F-10	12	HZW1-50301-070ZC	BRACKET, R. STERN	1	*T107* BAY BLUE
F-10	13	HZW1-50311-070ZC	BRACKET, L. STERN	1	*T107* BAY BLUE
F-10	14	HZW5-50341-010	ROD, ADJUSTING	1	
F-10	15	HZY9-50381-000	SHAFT, TILTING	1	
F-10	16	HZV5-50522-000	BUSH, TILT ARM	2	
F-10	17	HZW1-50527-000	BRACKET, TILTING	1	
F-10	18	HZW1-50529-000	STOPPER, TILT	2	
F-10	19	HZW1-53234-010	PLATE, STEERING	1	
F-10	20	HZW5-53234-010	PLATE, STEERING	1	
F-10	21	HZW1-53238-010	ROD, STEERING	1	
F-10	22	HZW1-56516-000	RECEIVER, THRUST	2	
F-10	23	HZW1-56539-000	COLLAR, LOWER CYLINDER	1	
F-10	24	HZW9-90009-000	BOLT, FLANGE, 6X23	2	
F-10	25	HZW5-90101-000	BOLT, STUD, 12X150	2	
F-10	26	HZW1-90102-000	BOLT, 1/4-28UNF	2	
F-10	27	HZW1-90105-000	BOLT, 3/8-24UNF	1	
F-10	28	HZW9-90105-000	BOLT, FLANGE, 6X20	2	
F-10	29	HZW1-90108-000	BOLT, HEX., 10X235	1	

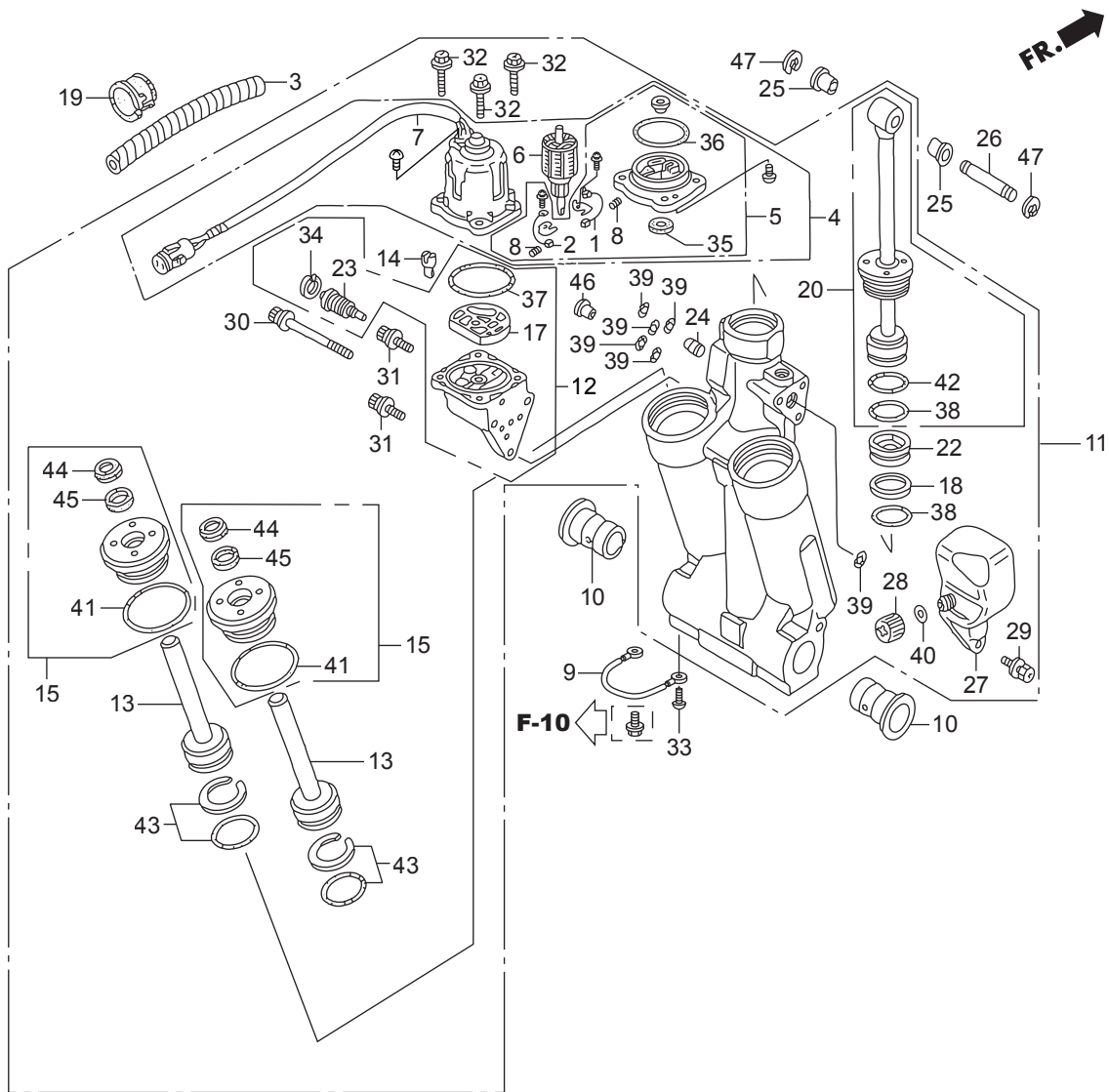


Ref.No.		Part No.	Description	Q' ty	Remarks
				BFT115A	
F-10	30	H881-90110-000	BOLT, HEX., 6X14	1	
F-10	31	HZZ3-90129-000	BOLT, HEX., 12X119	4	
F-10					
F-10					
F-10	31	HZX2-90129-000	BOLT, HEX., 12X130	4	
F-10					
F-10	32	HZW9-90154-000	BOLT, FLANGE, 10X25	2	
F-10	33	HZW5-90302-003	NUT, FLANGE, 12MM	2	
F-10	34	HZV5-90304-013	NUT, SELF-LOCK(7/8-14UNF)	1	
F-10	35	HZW1-90304-013	NUT, SELF-LOCK(25X2.0)	1	
F-10	36	HZW5-90304-000	NUT, ADJUSTER ROD	1	
F-10	37	HZW4-90306-003	NUT, FLANGE, 10MM	3	
F-10	38	HZV5-90307-003	NUT, SELF-LOCK(3/8-24UNF)	2	
F-10	39	HZV5-90501-000	WASHER, WAVE, 40MM	1	
F-10	40	HZV5-90502-000	WASHER, WAVE, 26MM	2	
F-10	41	HZV5-90504-000	WASHER, THRUST, 34MM	1	
F-10	42	HZV4-90514-000	WASHER, 10MM	3	
F-10	43	H921-90511-000	WASHER, PLAIN, 10MM	1	
F-10	44	HZV5-90552-000	WASHER, PLAIN, 12MM	3	
F-10					
F-10					
F-10					
F-10					
F-10					
F-10					
F-10					
F-10					
F-10	45	HZV5-90559-000	WASHER, PLAIN, 12MM	12	
F-10					
F-10					

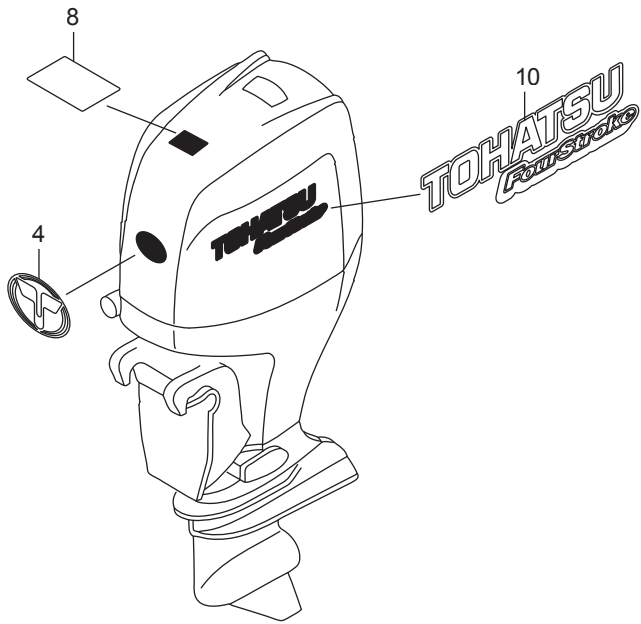
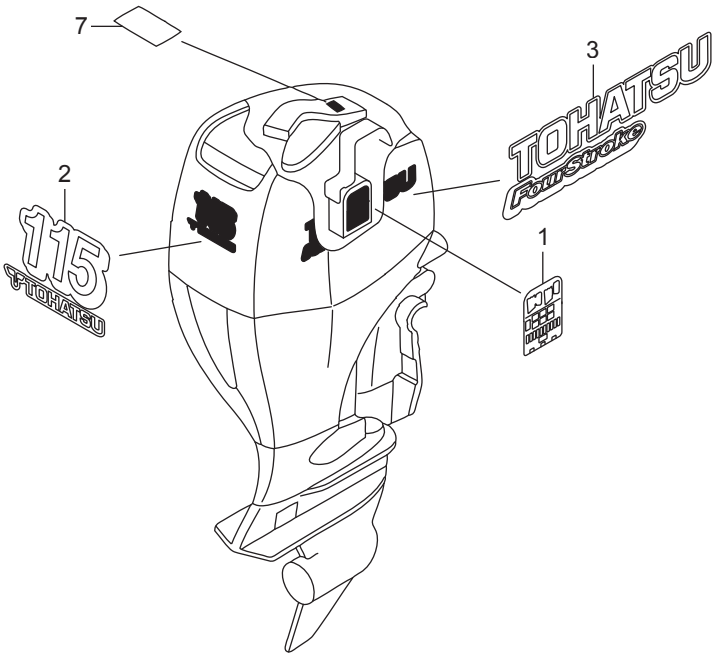


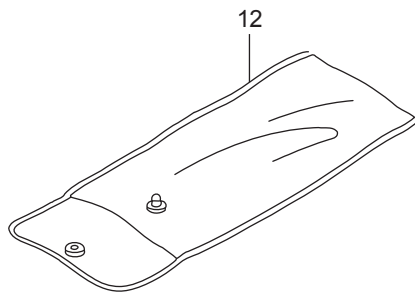
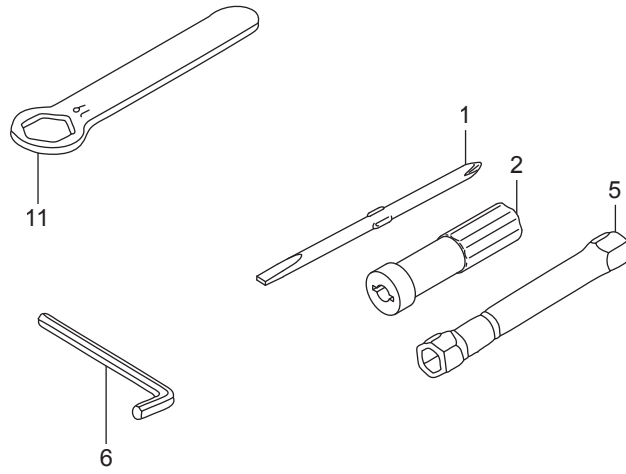


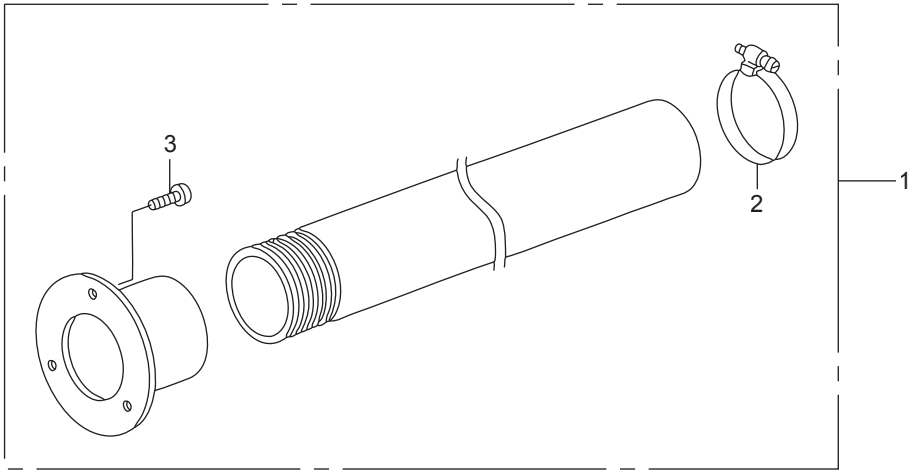
Ref.No.	Part No.	Description	Q' ty	Remarks	
			BFT115A		
F-11	1	HZY3-30280-003	BREAKER ASSY.	1	
F-11	2	HZY3-31106-003	BRUSH ASSY.	1	
F-11	3	HZV5-36104-821	TUBE, SPIRAL	1	
F-11	4	HZY6-36120-013	MOTOR ASSY., POWER TILT	1	
F-11	5	HZY3-36122-013	BRACKET ASSY.	1	
F-11	6	HZY3-36123-013	ARMATURE COMP.	1	
F-11	7	HZY6-36129-013	YOKE ASSY.	1	
F-11	8	HZV5-36136-821	SPRING, MOTOR	2	
F-11	9	HZY3-40219-013	WIRE, LEAD(1.5X116MM)	1	
F-11	10	HZV5-50214-003	BUSH, SWIVEL CASE	2	
F-11	11	HZY6-56000-043	TRIM-TILT ASSY., POWER	1	
F-11					
F-11					
F-11					
F-11	12	HZY6-56100-013	PUMP ASSY.	1	
F-11					
F-11					
F-11					
F-11	13	HZW1-56110-701	ROD COMP., PISTON(B)	2	
F-11	14	HZW1-56113-701	JOINT, DRIVE	1	
F-11	15	HZY9-56115-005	GUIDE COMP., ROD	2	
F-11	16				
F-11	17	HZW1-56116-701	FILTER B	1	
F-11	18	HZV5-56117-821	RING, BACK UP	1	
F-11	19	HZV5-56118-820	BUSH, MOTOR CODE	1	
F-11	20	HZY9-56120-003	ROD COMP., PISTON	1	
F-11	21				
F-11	22	HZW1-56130-702	PISTON COMP., FREE	1	
F-11	23	HZY3-56170-013	VALVE COMP., MANUAL	1	

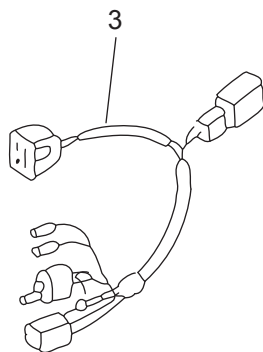
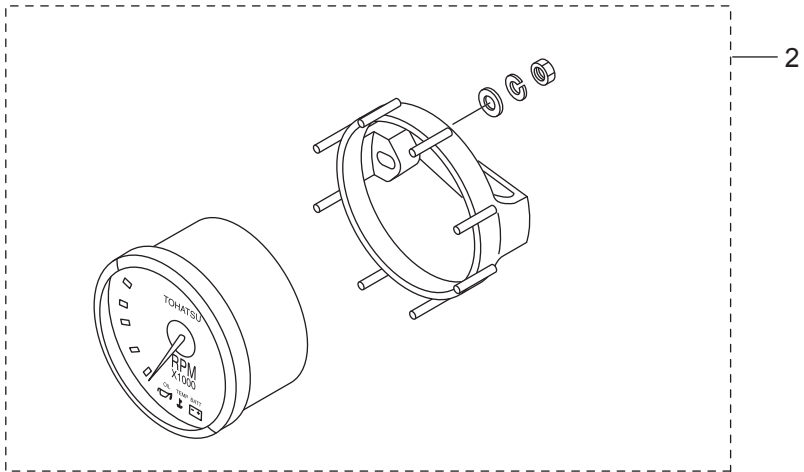
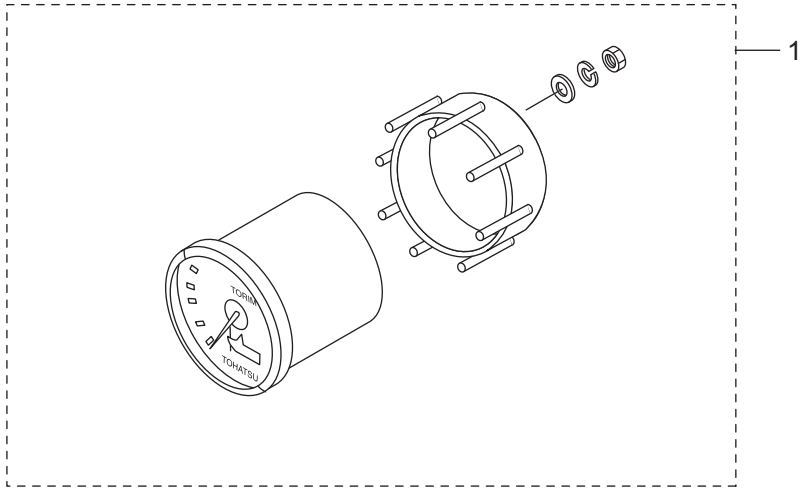


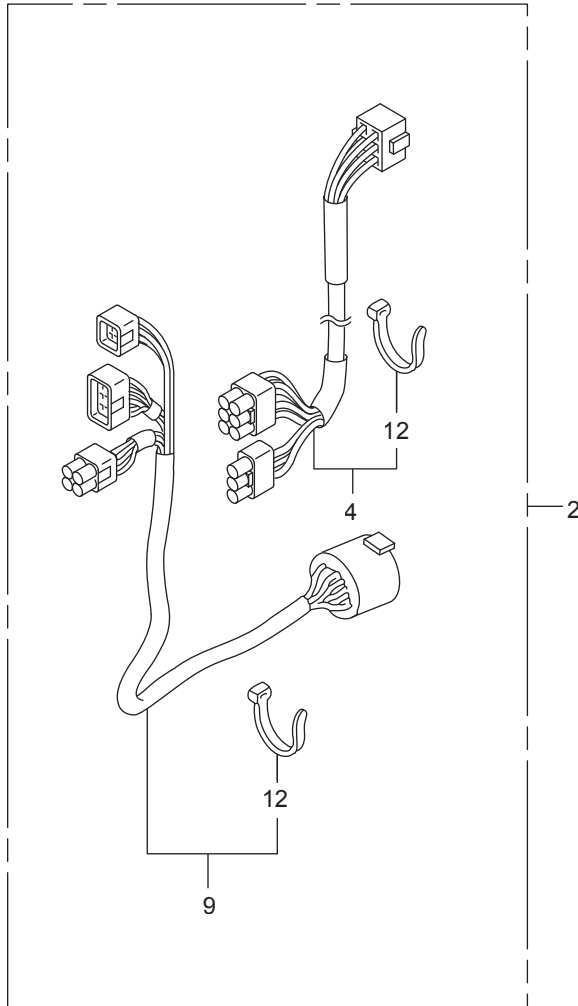
Ref.No.	Part No.	Description	Q' ty	Remarks	
			BFT115A		
F-11	24	HZW1-56180-701	VALVE COMP., RESERVOIR	1	
F-11	25	HZV5-56513-000	BUSH, LOWER CYLINDER	2	
F-11	26	HZW1-56532-000	PIN, UPPER CYLINDER	1	
F-11	27	HZW1-56851-703	TANK, OIL	1	
F-11	28	HZW1-56860-701	CAP COMP., OIL TANK	1	
F-11	29	HZW1-90113-702	BOLT, RECESSED	3	
F-11	30	HZW1-90114-702	BOLT, SOCKET(A)	1	
F-11	31	HZW1-90115-702	BOLT, SOCKET(B)	2	
F-11	32	HZW1-90116-702	BOLT, HEX.	4	
F-11	33	HZV5-90119-000	SCREW, PAN, 6X8	1	
F-11	34	HZW1-90652-702	CIRCLIP, INTERNAL	1	
F-11	35	HZV5-91203-821	OIL SEAL	1	
F-11	36	HZW1-91207-013	O-RING, 2.0X70.5	1	
F-11	37	HZV5-91302-821	O-RING, 1.8X69.6	1	
F-11	38	HZV5-91316-821	O-RING, 3.5X38.7	2	
F-11	39	HZW1-91352-702	O-RING, 1.8X7.7	6	
F-11	40	HZW1-91353-703	O-RING, 1.9X11	1	
F-11	41	HZW1-91354-701	O-RING, 3.5X35.7	2	
F-11	42	HZW1-91355-701	O-RING, 3.5X41.7	1	
F-11	43	HZW1-91357-701	O-RING SET, 3.5X31.7	2	
F-11	44	HZW1-91358-701	SEAL, WATER	2	
F-11	45	HZW1-91361-701	PACKING	2	
F-11	46	HZW1-91557-701	COLLAR, ORIFICE	1	
F-11	47	HCO-94540-15029	E-RING, 15MM	2	

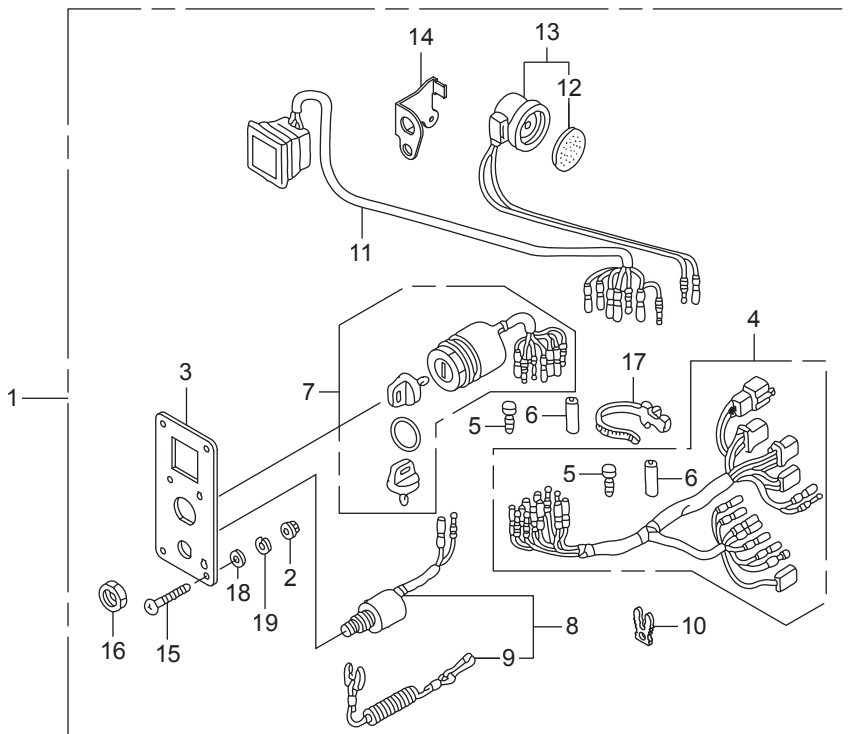


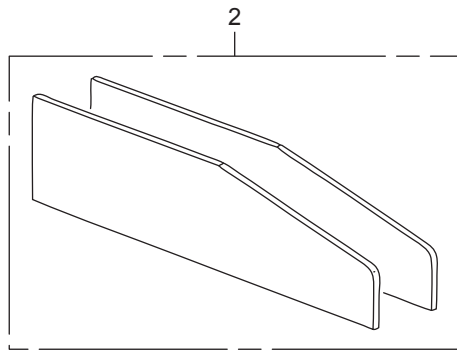
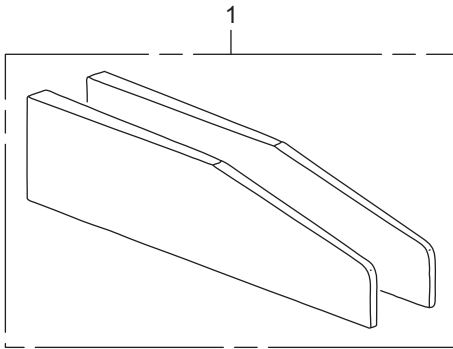




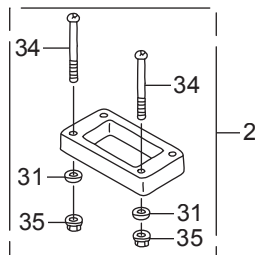
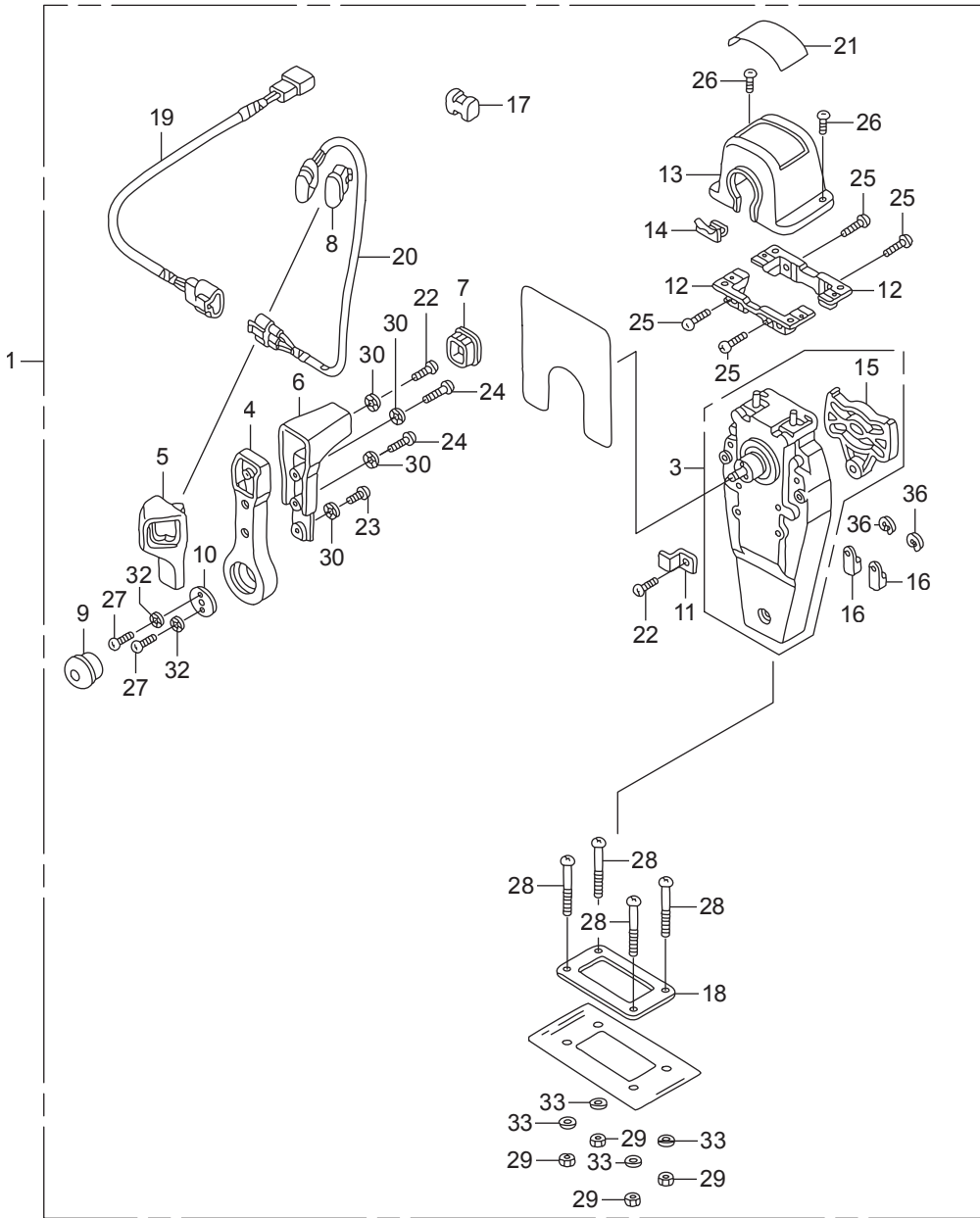


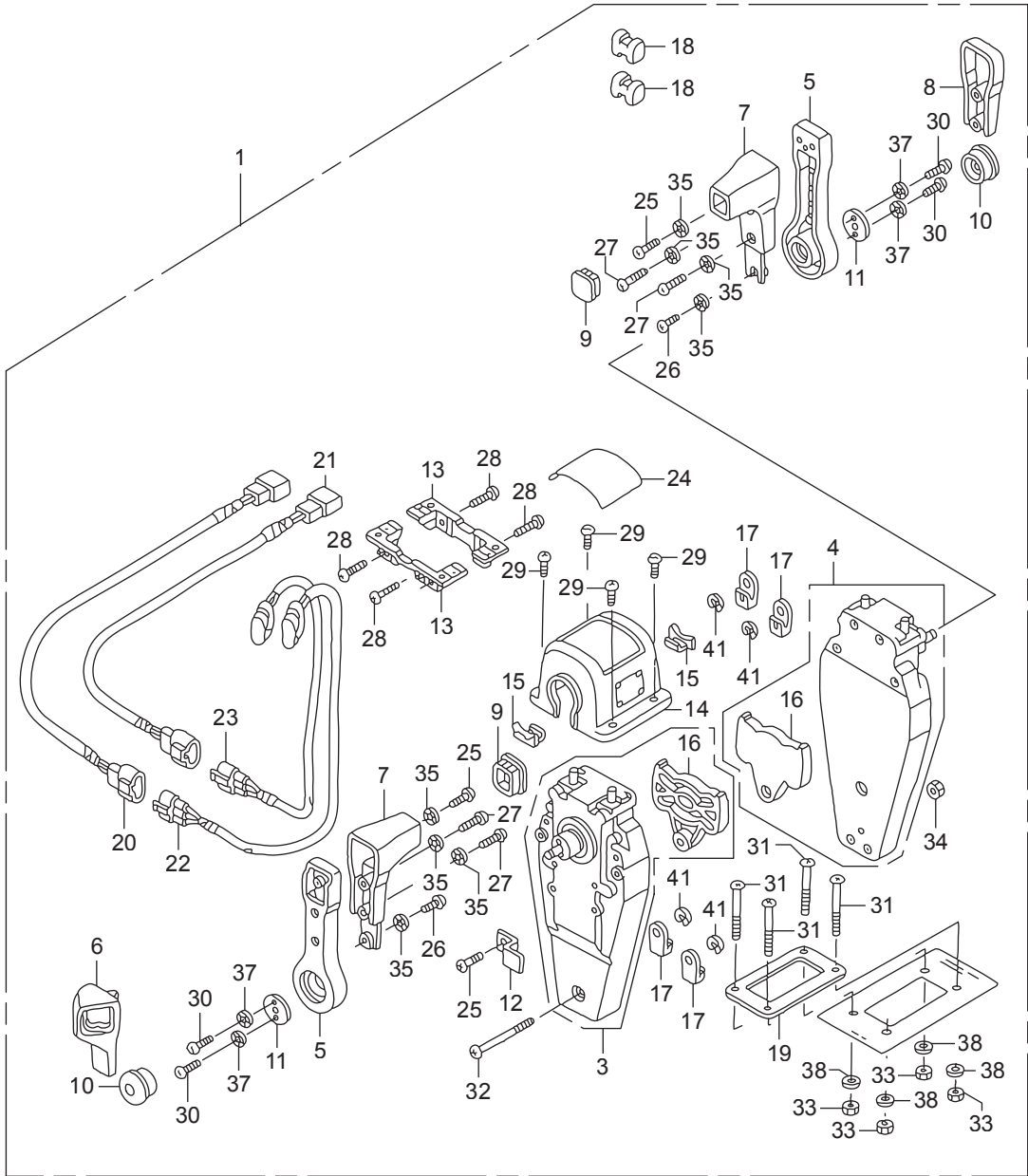




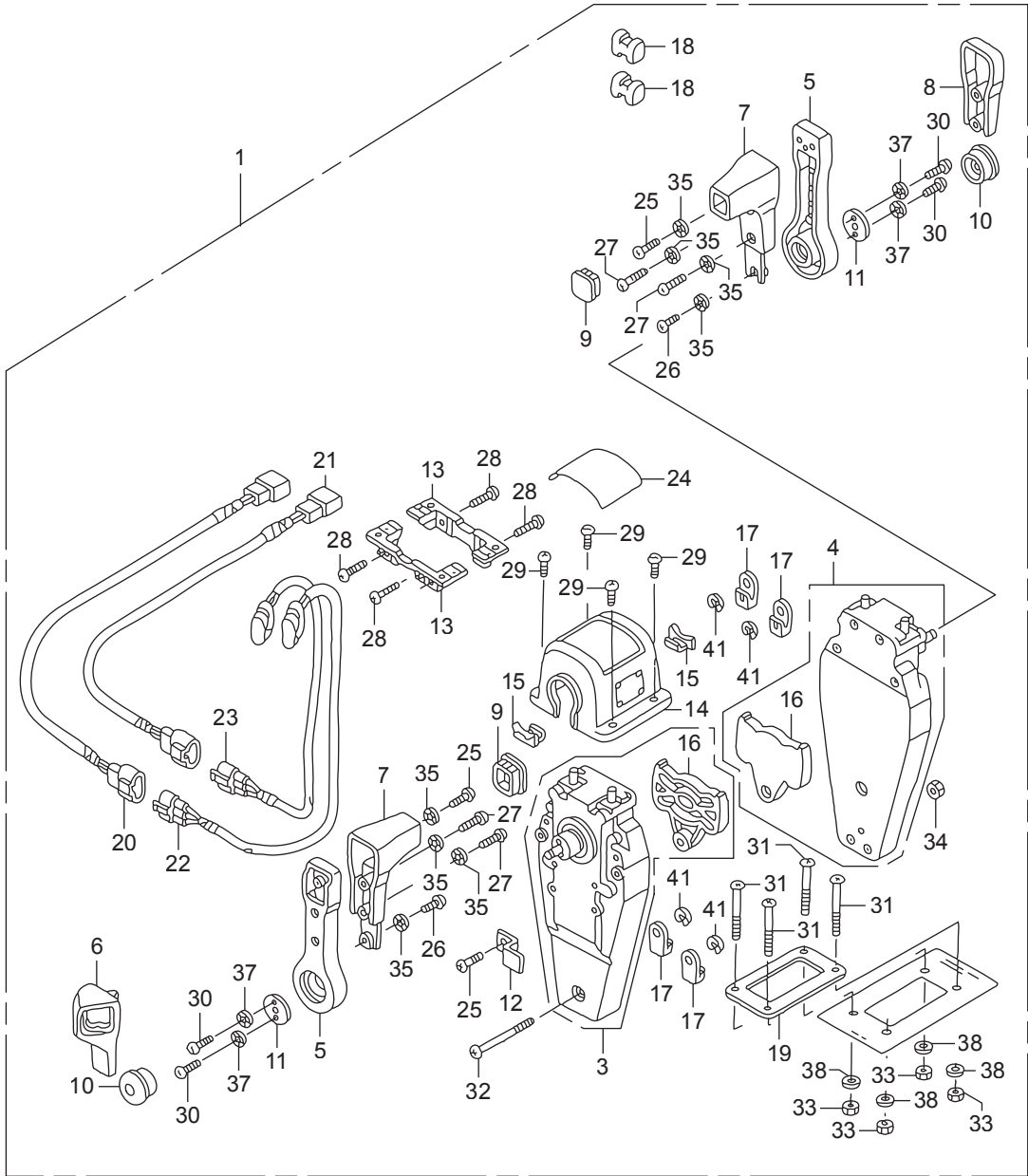


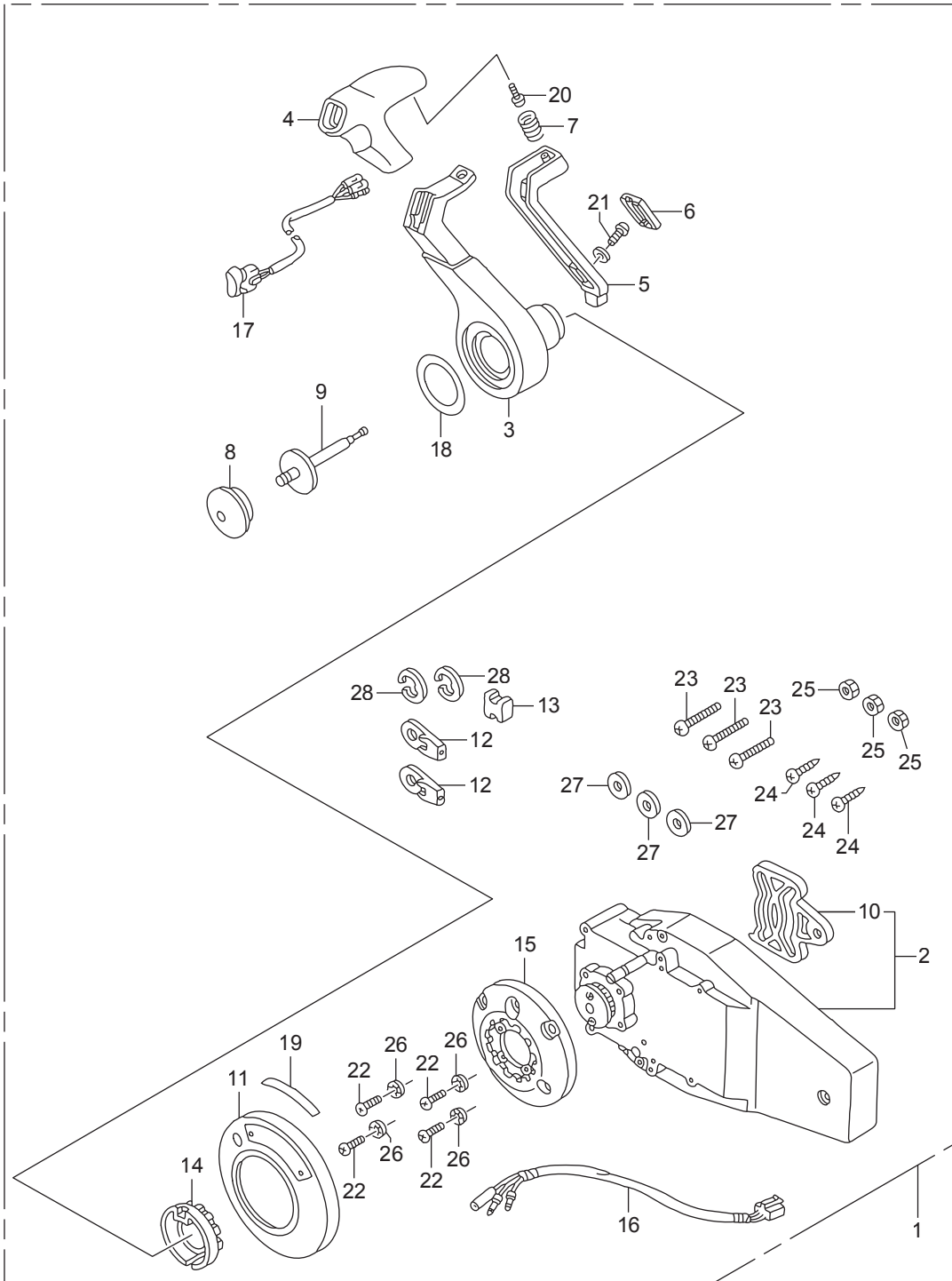
Ref.No.	Part No.	Description	Q' ty	Remarks	
			BFT115A		
FOP-8	1	HZZ3-06240-R30	BOX KIT, REMOTE CONTROL	1	(TOP MOUNT SINGLE)(R.)
FOP-8	2	HZW5-06241-U00	SPACER KIT, REMOTE CONTROL BOX	1	(TOP MOUNT SINGLE)
FOP-8	3	HZW5-24810-U01	HOUSING ASSY., L. INNER	1	(TOP MOUNT)
FOP-8	4	HZW5-24811-U01	HANDLE, REMOTE CONTROL	1	
FOP-8	5	HZW5-24812-U01	COVER, L. GRIP	1	
FOP-8	6	HZW5-24813-U01	GRIP, REMOTE CONTROL HANDLE	1	
FOP-8	7	HZW5-24814-U01	CAP, GRIP	1	
FOP-8	8	HZW5-24815-U01	CAP, SWITCH	1	
FOP-8	9	HZW5-24816-U01	BUTTON, THROTTLE	1	
FOP-8	10	HZW5-24817-U01	PLATE, HANDLE	1	
FOP-8	11	HZW5-24818-U01	PLATE, CABLE CLAMP	1	
FOP-8	12	HZW5-24819-U01	BRACKET, REMOTE CONTROL HOUSING	2	
FOP-8	13	HZW5-24820-U01	HOUSING COMP., REMOTE CONTROL BOX	1	
FOP-8	13	HZZ3-24820-R11	HOUSING COMP., REMOTE CONTROL BOX	1	
FOP-8	14	HZW5-24825-U01	HOUSING, LEAD	1	
FOP-8	15	HZW5-24826-U01	PLATE, DWELL	1	
FOP-8	16	HZW5-24831-U01	TERMINAL, CABLE	2	
FOP-8	17	HZW5-24832-U01	SPACER, CABLE CLAMP	1	
FOP-8	18	HZW5-24834-U01	PACKING, SINGLE	1	
FOP-8	19	HZW7-32530-U00	SUB HARNESS ASSY., POWER TRIM-TILT(A)	1	
FOP-8	20	HZW5-35370-U02	SWITCH ASSY., POWER TRIM-TILT (A)	1	
FOP-8	21	HZZ3-87703-R81	MARK, REMOTE CONTROL(SINGLE)	1	
FOP-8	22	HZW5-90101-U00	SCREW, PAN, 5X16	2	
FOP-8	23	HZW5-90102-U00	SCREW, PAN, 5X10	1	
FOP-8	24	HZW5-90103-U01	SCREW, PAN, 5X20	2	
FOP-8	25	HZW5-90104-U00	SCREW, PAN, 5X18	4	
FOP-8	26	HZW5-90105-U01	SCREW, PAN, 4X10	2	
FOP-8	27	HZW5-90106-U00	SCREW, PAN, 6X18	2	
FOP-8	28	HZW5-90107-U00	SCREW, PAN, 5X40	4	



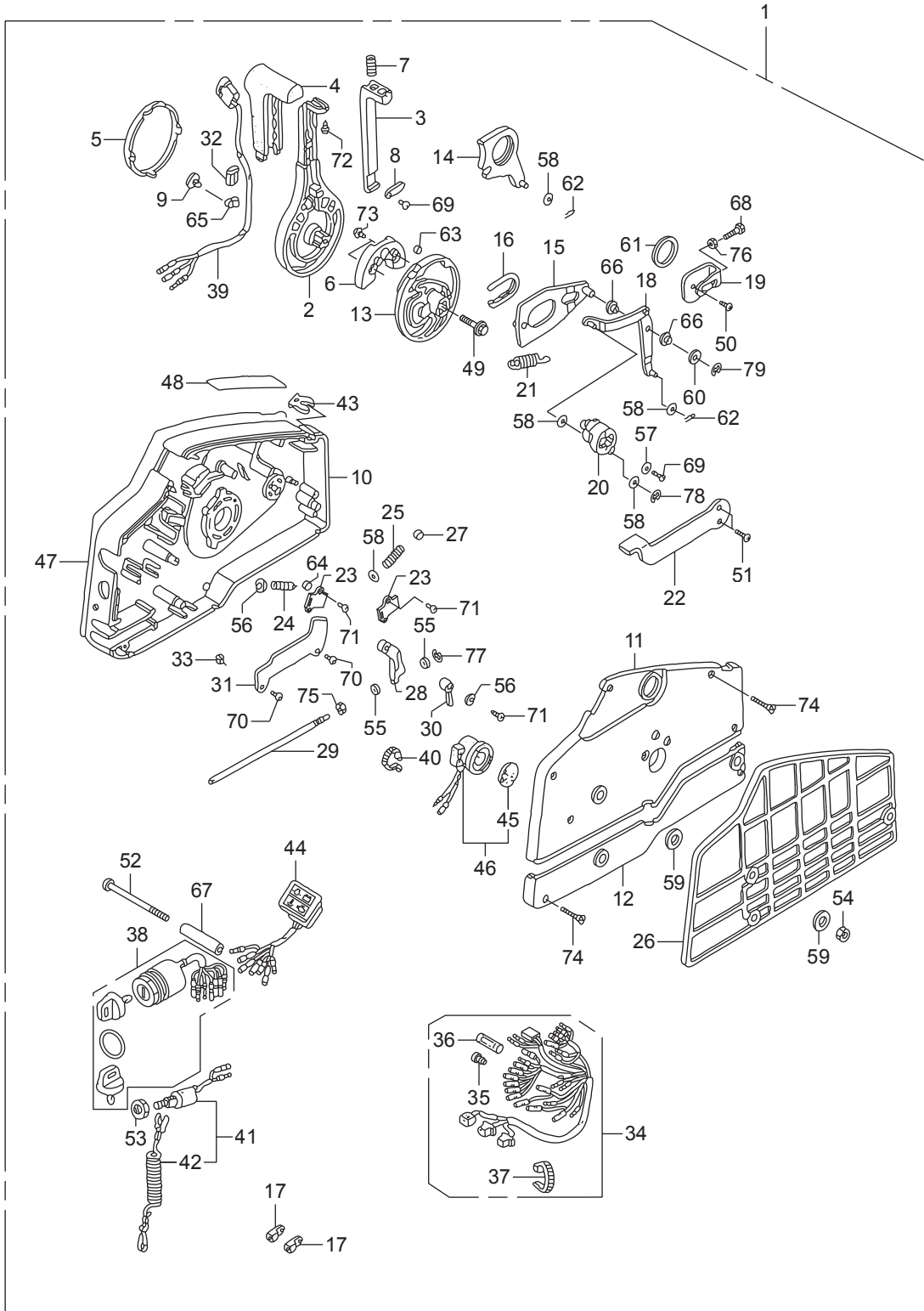


Ref.No.	Part No.	Description	Q' ty	Remarks	
			BFT115A		
FOP-8-2	1	HZZ3-06240-R60	BOX KIT, REMOTE CONTROL	1	(TOP MOUNT DUAL)(R.)
FOP-8-2	2	HZW5-06241-U10	SPACER KIT, REMOTE CONTROL BOX	1	(TOP MOUNT DUAL)
FOP-8-2	3	HZW5-24810-U01	HOUSING ASSY., L. INNER	1	(TOP MOUNT)
FOP-8-2	4	HZW5-24810-U11	HOUSING ASSY., R. INNER	1	(TOP MOUNT)
FOP-8-2	5	HZW5-24811-U01	HANDLE, REMOTE CONTROL	2	
FOP-8-2	6	HZW5-24812-U01	COVER, L. GRIP	1	
FOP-8-2	7	HZW5-24813-U01	GRIP, REMOTE CONTROL HANDLE	2	
FOP-8-2	8	HZW5-24813-U21	COVER, DUAL GRIP	1	
FOP-8-2	9	HZW5-24814-U01	CAP, GRIP	2	
FOP-8-2	10	HZW5-24816-U01	BUTTON, THROTTLE	2	
FOP-8-2	11	HZW5-24817-U01	PLATE, HANDLE	2	
FOP-8-2	12	HZW5-24818-U01	PLATE, CABLE CLAMP	1	
FOP-8-2	13	HZW5-24819-U01	BRACKET, REMOTE CONTROL HOUSING	2	
FOP-8-2	14	HZW5-24820-U21	HOUSING COMP., DUAL REMOTE CONTROL BOX	1	
FOP-8-2	14	HZZ3-24820-R21	HOUSING COMP., DUAL REMOTE CONTROL BOX	1	
FOP-8-2	15	HZW5-24825-U01	HOUSING, LEAD	2	
FOP-8-2	16	HZW5-24826-U01	PLATE, DWELL	2	
FOP-8-2	17	HZW5-24831-U01	TERMINAL, CABLE	4	
FOP-8-2	18	HZW5-24832-U01	SPACER, CABLE CLAMP	2	
FOP-8-2	19	HZW5-24834-U21	PACKING, DUAL	1	
FOP-8-2	20	HZW7-32530-U00	SUB HARNESS ASSY., POWER TRIM-TILT(A)	1	
FOP-8-2	21	HZW7-32530-U10	SUB HARNESS ASSY., POWER TRIM-TILT(B)	1	
FOP-8-2	22	HZW5-35370-U02	SWITCH ASSY., POWER TRIM-TILT (A)	1	
FOP-8-2	23	HZW5-35370-U12	SWITCH ASSY., POWER TRIM-TILT (B)	1	
FOP-8-2	24	HZZ3-87703-R01	MARK, REMOTE CONTROL(DUAL)	1	
FOP-8-2	25	HZW5-90101-U00	SCREW, PAN, 5X16	3	
FOP-8-2	26	HZW5-90102-U00	SCREW, PAN, 5X10	2	
FOP-8-2	27	HZW5-90103-U01	SCREW, PAN, 5X20	4	
FOP-8-2	28	HZW5-90104-U00	SCREW, PAN, 5X18	4	

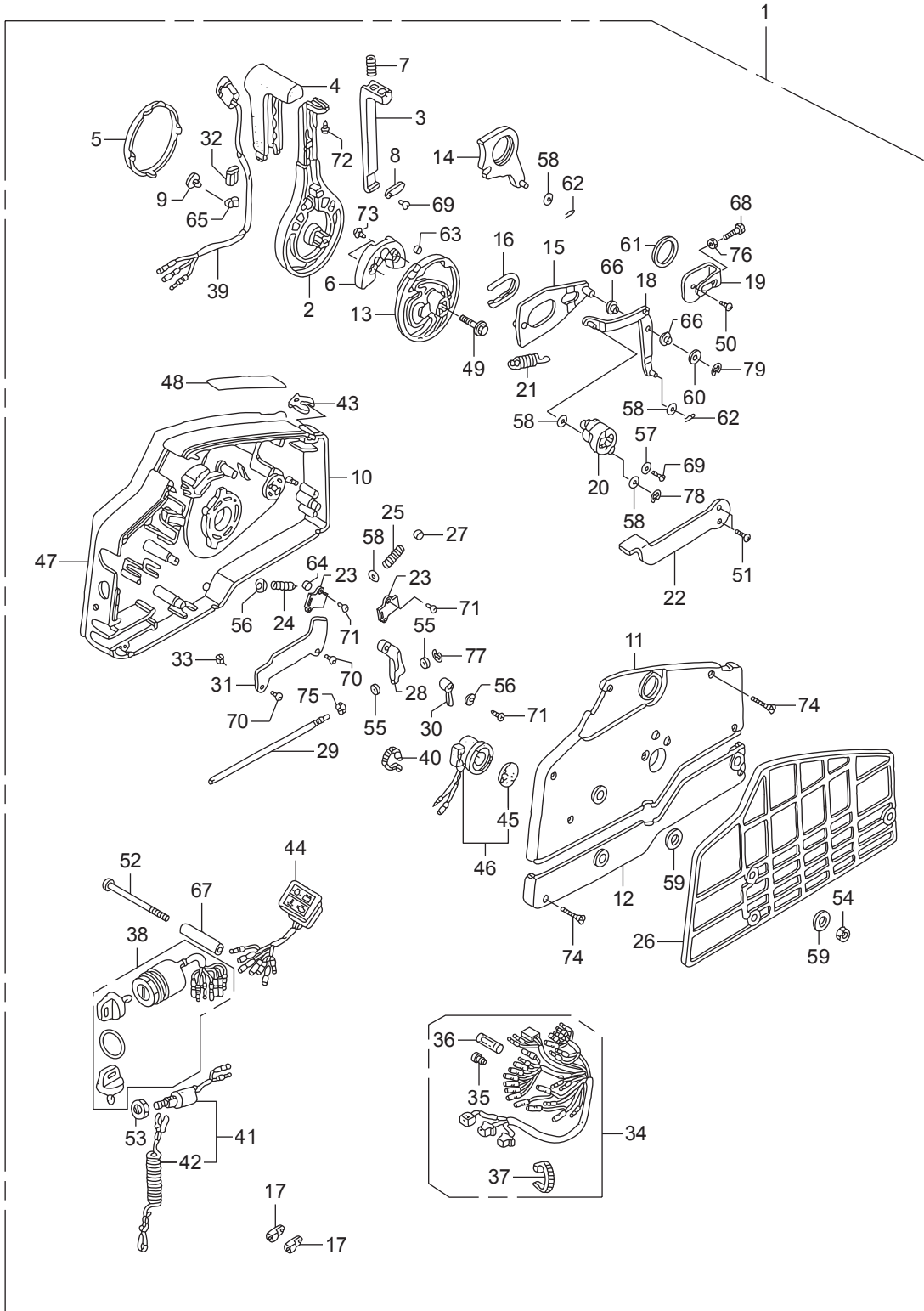




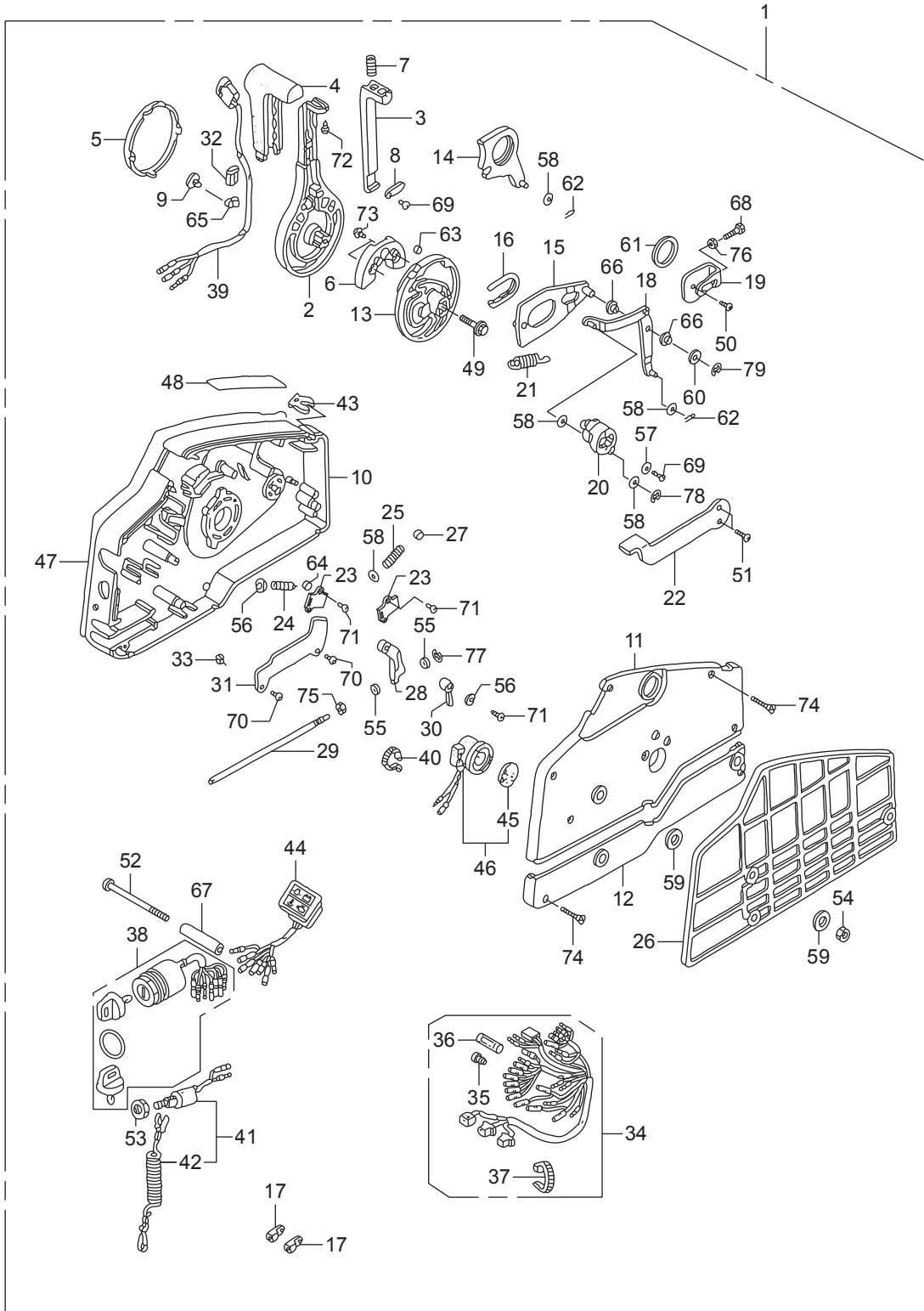
Ref.No.	Part No.	Description	Q' ty	Remarks	
			BFT115A		
FOP-8-4	1	HZZ3-06240-R40	BOX KIT, REMOTE CONTROL	1	(FLUSH MOUNT)(R.)
FOP-8-4	2	HZW7-24810-U01	HOUSING ASSY., R. INNER	1	(FLUSH MOUNT)
FOP-8-4	3	HZW7-24811-U01	HANDLE, REMOTE CONTROL	1	
FOP-8-4	4	HZW7-24812-U01	COVER, GRIP	1	
FOP-8-4	5	HZW7-24813-U01	ARM, NEUTRAL LOCK	1	
FOP-8-4	6	HZW7-24814-U01	COVER, LOCK ARM	1	
FOP-8-4	7	HZW7-24815-U01	SPRING, NEUTRAL LOCK ARM	1	
FOP-8-4	8	HZW5-24816-U01	BUTTON, THROTTLE	1	
FOP-8-4	9	HZW7-24817-U01	SHAFT, THROTTLE BUTTON	1	
FOP-8-4	10	HZW5-24826-U01	PLATE, DWELL	1	
FOP-8-4	11	HZW7-24830-U01	COVER ASSY.	1	
FOP-8-4	11	HZZ3-24830-R41	COVER ASSY.	1	
FOP-8-4	12	HZW5-24831-U01	TERMINAL, CABLE	2	
FOP-8-4	13	HZW5-24832-U01	SPACER, CABLE CLAMP	1	
FOP-8-4	14	HZW7-24832-U01	HOLDER, NEUTRAL LOCK	1	
FOP-8-4	15	HZW7-24833-U01	BASE	1	
FOP-8-4	16	HZW7-32530-U20	SUB HARNESS ASSY., POWER TRIM-TILT(C)	1	
FOP-8-4	17	HZW7-35370-U02	SWITCH ASSY., POWER TRIM-TILT (C)	1	
FOP-8-4	18	HZW7-87701-U01	MARK, HANDLE FLUSH MOUNT	1	
FOP-8-4	18	HZZ3-87701-R40	MARK, HANDLE FLUSH MOUNT	1	
FOP-8-4	19	HZW7-87703-U00	MARK, FLUSH MOUNT	1	
FOP-8-4	20	HZW5-90101-U00	SCREW, PAN, 5X16	1	
FOP-8-4	21	HZW7-90101-U01	SCREW, TRUSS, 4X12	1	
FOP-8-4	22	HZW7-90102-U01	SCREW, PAN, 5X30	4	
FOP-8-4	23	HZW7-90103-U01	SCREW, PAN, 6X35	3	
FOP-8-4	24	HZW7-90104-U01	SCREW, TAPPING, 6X30	3	
FOP-8-4	25	HZW7-90301-U01	NUT, HEX., 6MM	3	
FOP-8-4	26	HZW5-90501-U00	WASHER, LOCK, 5MM	4	
FOP-8-4	27	HZW7-90502-U00	WASHER, PLAIN, 6MM	3	

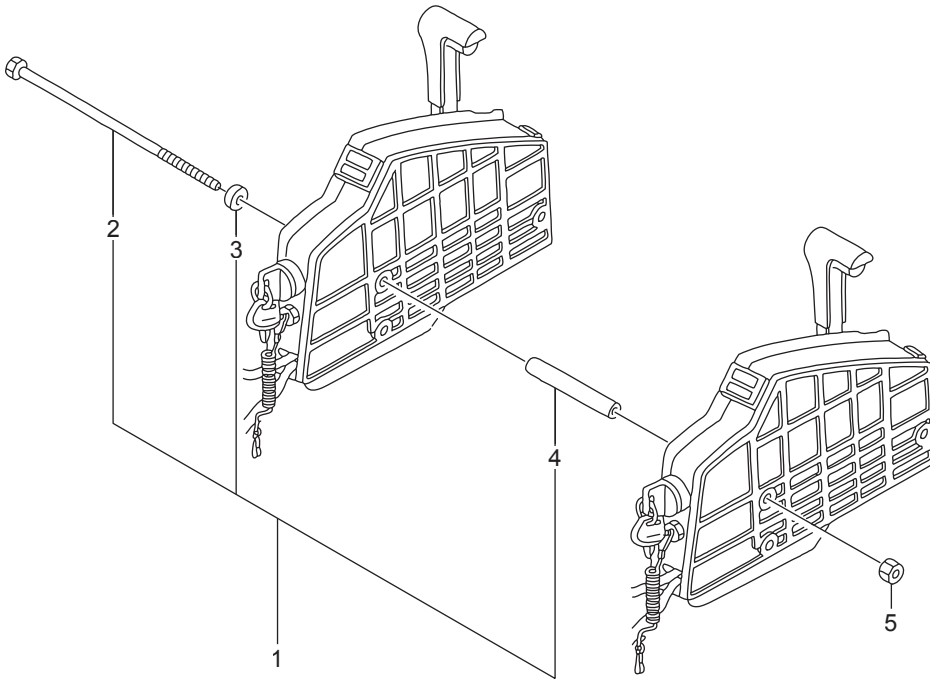


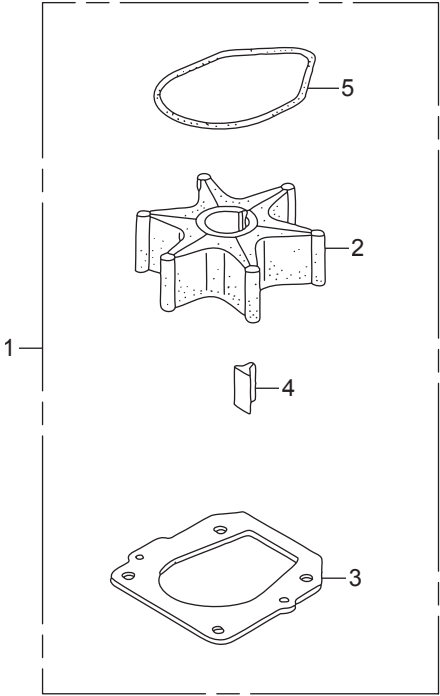
Ref.No.	Part No.	Description	Q' ty	Remarks
			BFT115A	
FOP-8-6	1	HZZ3-06240-R30	BOX ASSY., REMOTE CONTROL	1
FOP-8-6	2	HZV5-24811-010	HANDLE, REMOTE CONTROL	1
FOP-8-6	3	HZV5-24812-000	LEVER, HANDLE LOCK	1
FOP-8-6	4	HZV5-24813-000	GRIP, REMOTE CONTROL HANDLE	1
FOP-8-6	5	HZV5-24814-010	CAP, HANDLE	1
FOP-8-6	6	HZV5-24815-010	BLOCK, NEUTRAL LOCK	1
FOP-8-6	7	HZV5-24816-000	SPRING, REMOTE CONTROL HANDLE	1
FOP-8-6	8	HZV5-24817-000	PLATE, LEVER SETTING	1
FOP-8-6	9	HZV5-24818-003	CLAMP, HARNESS	1
FOP-8-6	10	HZV5-24820-010	HOUSING COMP., REMOTE CONTROL BOX(A)LA,XA	1
FOP-8-6	11	HZV5-24830-010	HOUSING COMP., REMOTE CONTROL BOX(B)LA,XA	1
FOP-8-6	12	HZV5-24836-000	HOUSING, REMOTE CONTROL BOX(C)	1
FOP-8-6	13	HZV5-24841-000	WHEEL, CONTROL	1
FOP-8-6	14	HZV5-24845-000	ARM COMP., SHIFT LINK	1
FOP-8-6	15	HZV5-24850-000	PLATE COMP., SLIDING	1
FOP-8-6	16	HZV5-24854-000	COLLAR, SLIDING PLATE	1
FOP-8-6	17	HZV5-24855-000	PIVOT, SHIFT	2
FOP-8-6	18	HZV5-24860-000	ARM COMP., LINK JOINT	1
FOP-8-6	19	HZV5-24865-000	BRACKET, LINK JOINT	1
FOP-8-6	20	HZV5-24875-000	WHEEL, ACCELERATOR	1
FOP-8-6	21	HZV5-24876-000	SPRING, ACCELERATOR WHEEL	1
FOP-8-6	22	HZV5-24878-000	LEVER, IDLE	1
FOP-8-6	23	HZV5-24881-000	PLATE, SPRING SETTING	2
FOP-8-6	24	HZV5-24883-000	SPRING, SHIFT CLICK	1
FOP-8-6	25	HZV5-24884-000	SPRING, CHOKE RETURN	1
FOP-8-6	26	HZV5-24885-000	SPACER, REMOTE CONTROL BOX	1
FOP-8-6	27	HZV5-24887-000	SPACER, CLICK SPRING	1
FOP-8-6	28	HZV5-24891-000	BLOCK, THROTTLE FRICTION	1
FOP-8-6	29	HZV5-24892-000	BOLT, FRICTION	1

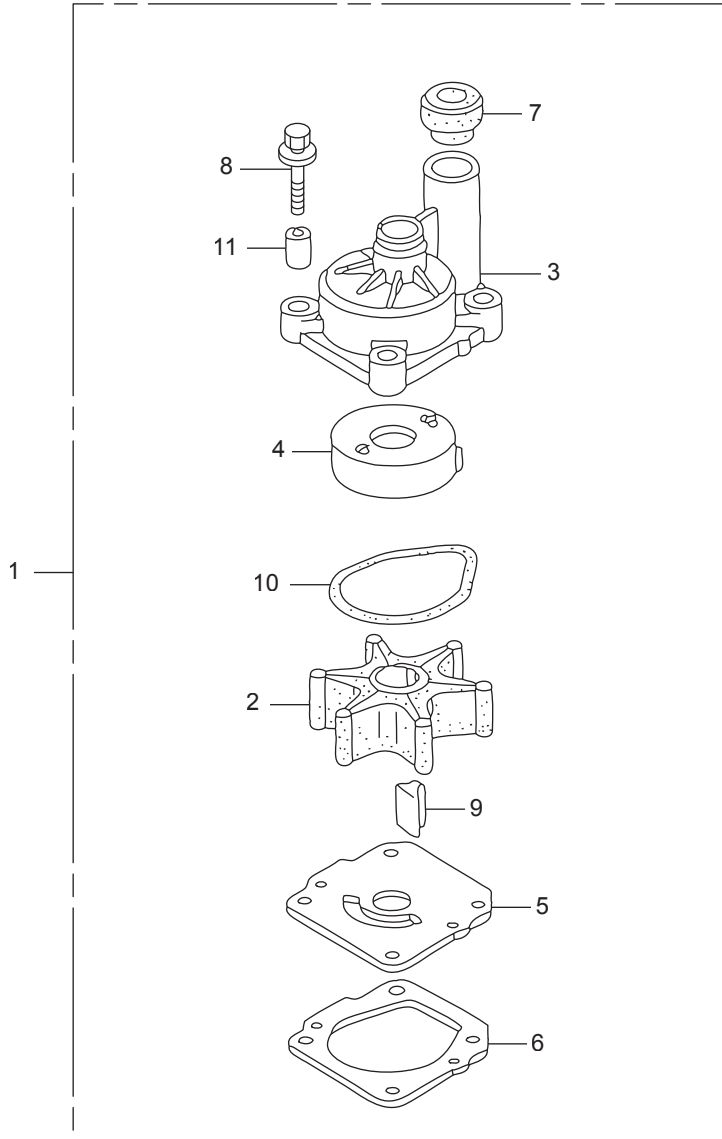


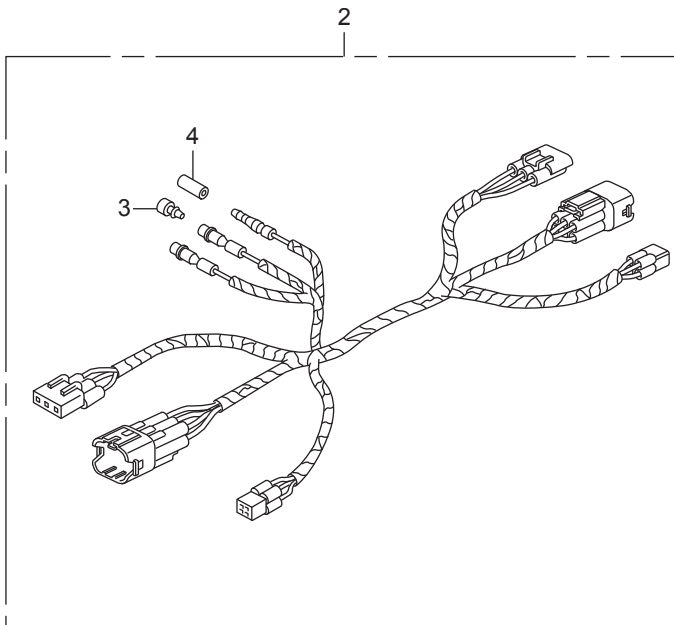
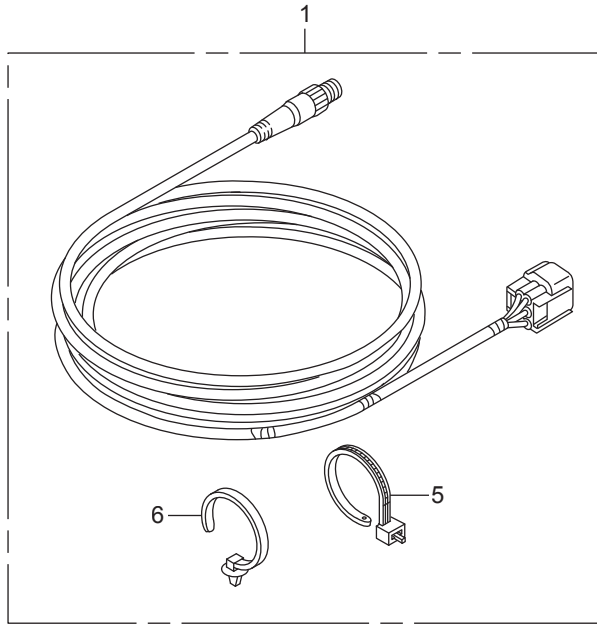
Ref.No.	Part No.	Description	Q' ty	Remarks	
			BFT115A		
FOP-8-6	30	HZV5-24894-000	SPACER, NEUTRAL SWITCH	1	
FOP-8-6	31	HZV5-24895-000	CLAMP, POWER TILT CORD	1	
FOP-8-6	32	HZV5-24897-000	PIPE, HARNESS GUIDE	1	
FOP-8-6	33	HZV5-24898-000	SPACER, CABLE CLAMP	1	
FOP-8-6	34	HZZ5-32530-000	CABLE ASSY., REMOTE CONTROL(B)	1	
FOP-8-6	35	HZV5-32823-003	PLUG, INNER CONNECTOR	7	
FOP-8-6	36	HZV5-32824-003	PLUG, OUTER CONNECTOR	1	
FOP-8-6	37	H952-32901-770	TIE, CABLE(NATURAL)(2.4X92)	1	
FOP-8-6	38	HZZ3-35100-R11	SWITCH ASSY., COMBINATION	1	
FOP-8-6	39	HZV5-35370-823	SWITCH ASSY., POWER TRIM-TILT	1	
FOP-8-6	40	HMG9-35701-950	BAND(BLACK 3.5X140)	1	
FOP-8-6	41	HZV5-36180-033	SWITCH ASSY., EMERGENCY STOP	1	
FOP-8-6	42	HZV4-36182-651	CORD COMP., EMERGENCY	1	
FOP-8-6	43	HZV4-36187-652	CLIP, EMERGENCY LOCK	1	
FOP-8-6	44	HZZ5-37210-013	LAMP ASSY., INDICATION	1	
FOP-8-6	45	H341-38403-672	PLATE, WINKER BUZZER	1	
FOP-8-6	46	HZV5-38410-003	BUZZER COMP., WARNING	1	
FOP-8-6	47	HZZ3-87701-R00	PLATE, REMOTE CONTROL	1	LA,XA
FOP-8-6	48	HZW9-87702-800	MARK, FAST IDLE	1	
FOP-8-6	49	HZW9-90008-000	BOLT, FLANGE, 8X35	1	
FOP-8-6	50	HMM4-90105-000	SCREW, PAN, 6X10	1	
FOP-8-6	51	HZW4-90108-000	SCREW, FLAT, 5X12	2	
FOP-8-6	52	HZV5-90125-000	SCREW, 6X95	3	
FOP-8-6	53	H921-90302-000	NUT, HEX., 16MM	1	
FOP-8-6	54	HZV4-90304-000	NUT, HEX., 6MM	3	
FOP-8-6	55	HZW4-90401-000	WASHER, PLAIN, 4MM	2	
FOP-8-6	56	HZW4-90402-000	WASHER, PLAIN, 5MM	2	
FOP-8-6	57	HZV4-90502-000	WASHER, PLAIN, 5MM	1	
FOP-8-6	58	H921-90504-010	WASHER, PLAIN, 6MM	5	

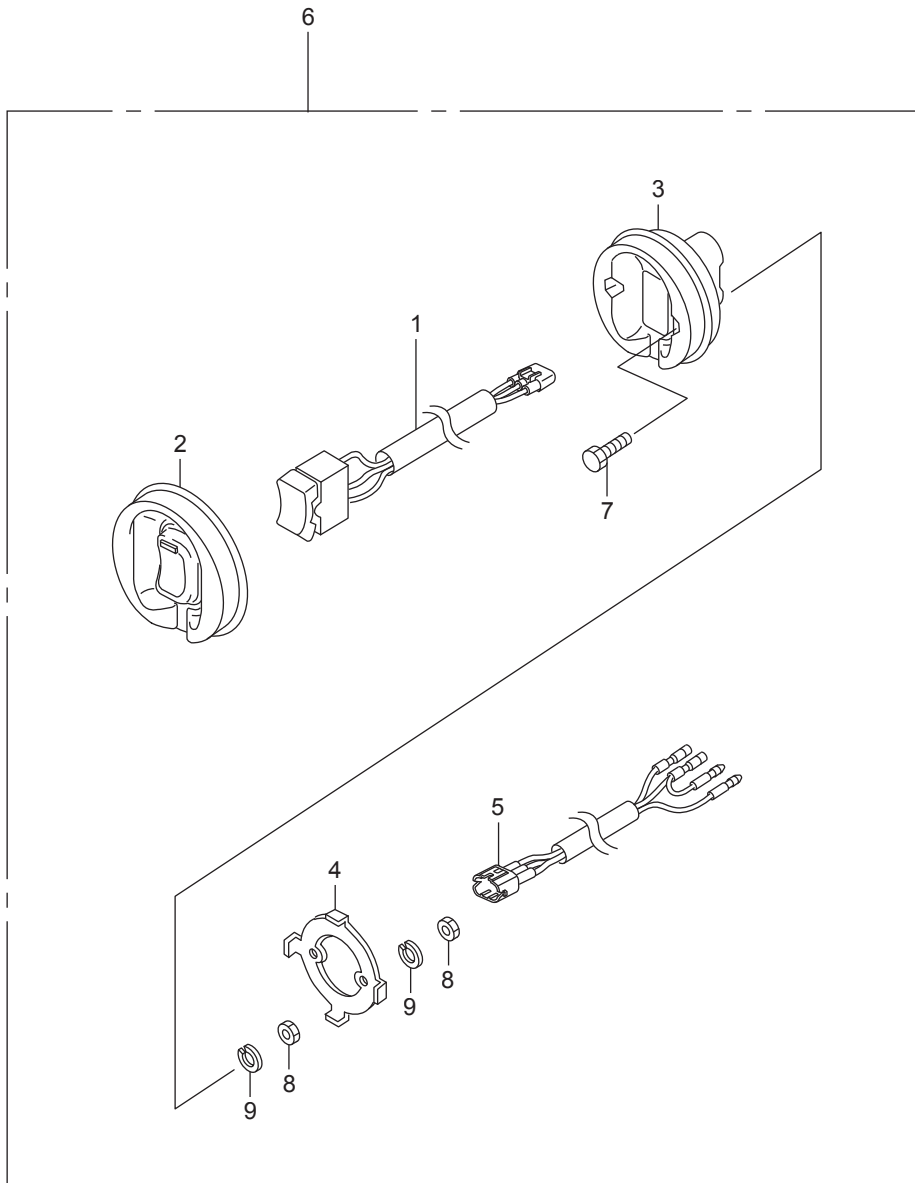


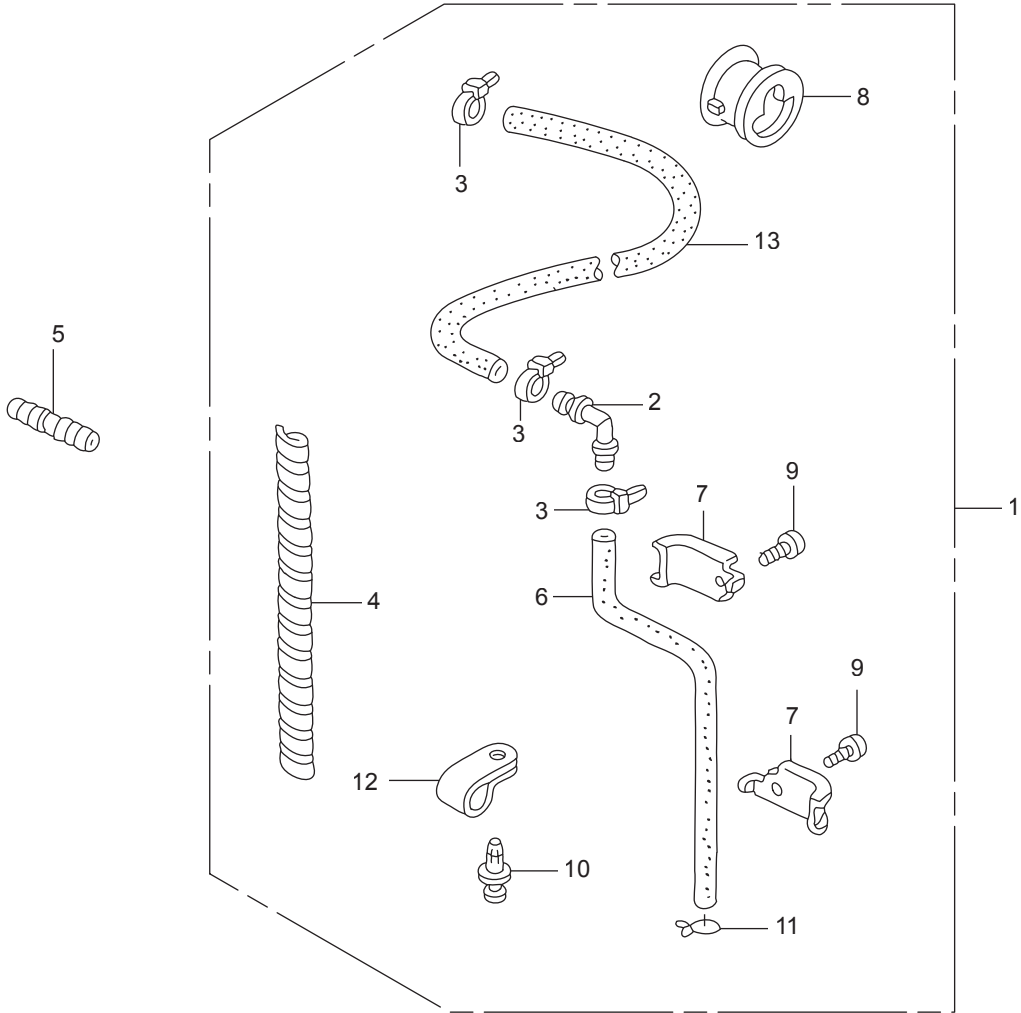












INDEX

<A>		
ARM ASSY., EX. ROCKER.....	E-9-14	
ARM ASSY., ROCKER.....	E-9-13	
ARM COMP., CAM CHAIN TENSIONER.....	E-9-10	
ARM COMP., CLICK.....	F-2-8	
ARM COMP., LINK JOINT.....	FOP-8-6-18	
ARM COMP., SHIFT LINK.....	FOP-8-6-14	
ARM, NEUTRAL LOCK.....	FOP-8-4-5	
ARM, SHIFT.....	F-2-13	
ARM, THROTTLE.....	F-2-6	
ARMATURE COMP.....	F-11-6	
		
BAG, TOOL, 230MM.....	F-13-12	
BALL, STEEL.....	E-21-6	
BALL, STEEL, #7(7/32).....	F-5-29	
BALL, STEEL, #7(7/32).....	F-5-1-31	
BALL, STEEL, #9(9/32).....	F-5-30	
BALL, STEEL, #9(9/32).....	F-5-1-32	
BAND.....	E-18-10-43	
BAND(BLACK 3.5X140).....	F-8-10-1	
BAND(BLACK 3.5X140).....	FOP-8-6-40	
BAND, AIR FLOW.....	E-15-4	
BAND, HARNESS.....	E-14-30	
BAND, HARNESS OFFSET(10).....	F-7-30-2	
BAND, UNDER CASE GROMMET.....	F-8-10-4	
BAND, WIRE.....	F-3-2	
BAND, WIRE.....	FOP-13-3	
BAND, WIRE HARNESS.....	E-9-10-34	
BAND, WIRE HARNESS(NATURAL).....	FOP-6-1-17	
BASE.....	FOP-8-4-15	
BASE, INJECTOR.....	E-14-10	
BEARING A, CONNECTING ROD (BLUE).....	E-7-7	
BEARING A, MAIN LOWER(BLUE).....	E-7-11	
BEARING A, MAIN UPPER(BLUE).....	E-7-9	
BEARING B, CONNECTING ROD (BLACK).....	E-7-7	
BEARING B, MAIN LOWER(BLACK).....	E-7-11	
BEARING B, MAIN UPPER(BLACK).....	E-7-9	
BEARING C, CONNECTING ROD (BROWN).....	E-7-7	
BEARING C, MAIN LOWER(BROWN).....	E-7-11	
BEARING C, MAIN UPPER(BROWN).....	E-7-9	
BEARING D, CONNECTING ROD (GREEN).....	E-7-7	
BEARING D, MAIN LOWER(GREEN).....	E-7-11	
BEARING D, MAIN UPPER(GREEN).....	E-7-9	
BEARING E, CONNECTING ROD (YELLOW).....	E-7-7	
BEARING E, MAIN LOWER(YELLOW).....	E-7-11	
BEARING E, MAIN UPPER(YELLOW).....	E-7-9	
BEARING F, CONNECTING ROD (PINK).....	E-7-7	
BEARING F, MAIN LOWER(PINK).....	E-7-11	
BEARING F, MAIN UPPER(PINK).....	E-7-9	
BEARING G, CONNECTING ROD (RED).....	E-7-7	
BEARING, FR.....	E-19-4	
BEARING, NEEDLE(25X32X26).....	F-5-24	
BEARING, NEEDLE(25X32X26).....	F-5-1-26	
BEARING, NEEDLE.....	F-4-26	
BEARING, NEEDLE, 20X28X13.....	F-2-42	
BEARING, NEEDLE, 30X37X26.....	F-5-20	
BEARING, NEEDLE, 30X37X26.....	F-5-1-22	
BEARING, RADIAL BALL, 50X90X20.....	F-5-23	
BEARING, RADIAL BALL, 50X90X20.....	F-5-1-25	
BEARING, RR.....	E-19-3	
BEARING, TAPER ROLLER.....	F-4-27	
BEARING, TAPER, 50X90X28.....	F-5-22	
BEARING, TAPER, 50X90X28.....	F-5-1-24	
BEARING, THRUST(F).....	F-5-21	
BEARING, THRUST(F).....	F-5-1-23	
BELT, A.C. GENERATOR(4PK810).....	E-13-3	
BLOCK ASSY., CYLINDER.....	E-3-6	
BLOCK, NEUTRAL LOCK.....	FOP-8-6-6	
BLOCK, THROTTLE FRICTION.....	FOP-8-6-28	
BODY COMP., CHAMBER.....	E-18-10-5	
BODY COMP., OIL JET.....	E-3-9	
BODY, TROLLING CONTROL		
SWITCH PANEL.....	FOP-12-3	
BOLT.....	E-19-14	
BOLT A, HEAD COVER.....	E-9-20-16	
BOLT A, THROUGH.....	E-21-18	
BOLT COMP., OIL JET.....	E-3-10	
BOLT KIT, SIDE REMOTE CONTROL.....	FOP-9-1	
BOLT, 1/4-28UNF.....	F-10-26	
BOLT, 3/8-24UNF.....	F-10-27	
BOLT, CHAIN GUIDE.....	E-10-9	
BOLT, CONNECTING ROD.....	E-7-5	
BOLT, CONNECTING ROD.....	E-7-5	
BOLT, COVER LOCK.....	F-8-8	
BOLT, DRAIN PLUG.....	E-6-15	
BOLT, DRAIN PLUG.....	F-3-14	
BOLT, FLANGE, 10X105.....	E-10-18	
BOLT, FLANGE, 10X110.....	E-6-23	
BOLT, FLANGE, 10X25.....	F-10-32	
BOLT, FLANGE, 10X32.....	E-9-29	
BOLT, FLANGE, 10X40.....	E-6-9	
BOLT, FLANGE, 10X40.....	F-3-20-8	
BOLT, FLANGE, 10X40.....	F-5-12	
BOLT, FLANGE, 10X40.....	F-5-1-13	
BOLT, FLANGE, 10X43.....	E-9-10-19	
BOLT, FLANGE, 10X45.....	E-4-11	
BOLT, FLANGE, 10X70.....	E-3-29	
BOLT, FLANGE, 10X70.....	E-9-10-21	
BOLT, FLANGE, 10X75.....	E-4-8	
BOLT, FLANGE, 10X80.....	E-6-10	
BOLT, FLANGE, 10X80.....	E-19-28	
BOLT, FLANGE, 10X90.....	E-21-21	
BOLT, FLANGE, 12MM.....	E-5-15	
BOLT, FLANGE, 12X47.....	E-9-28	
BOLT, FLANGE, 12X83.....	E-3-20	
BOLT, FLANGE, 6X10.....	E-14-22	
BOLT, FLANGE, 6X12.....	E-6-14	
BOLT, FLANGE, 6X12.....	E-15-19	
BOLT, FLANGE, 6X12.....	F-2-30	
BOLT, FLANGE, 6X12.....	F-3-20-9	
BOLT, FLANGE, 6X12.....	F-7-3	
BOLT, FLANGE, 6X12.....	F-7-10-10	
BOLT, FLANGE, 6X12.....	F-7-20-7	
BOLT, FLANGE, 6X12.....	F-9-28	
BOLT, FLANGE, 6X14.....	E-4-9	
BOLT, FLANGE, 6X14.....	E-9-10-17	
BOLT, FLANGE, 6X14.....	E-9-20-20	
BOLT, FLANGE, 6X14.....	E-10-15	
BOLT, FLANGE, 6X14.....	E-14-21	
BOLT, FLANGE, 6X14.....	E-18-1-19	
BOLT, FLANGE, 6X14.....	F-2-28	
BOLT, FLANGE, 6X14(CT200).....	E-3-22	
BOLT, FLANGE, 6X14(CT200).....	E-9-10-14	
BOLT, FLANGE, 6X14(CT200).....	F-7-10-9	
BOLT, FLANGE, 6X16.....	E-9-10-16	
BOLT, FLANGE, 6X16.....	E-9-20-18	
BOLT, FLANGE, 6X16.....	E-18-10-47	
BOLT, FLANGE, 6X16.....	E-19-24	
BOLT, FLANGE, 6X16.....	F-2-27	
BOLT, FLANGE, 6X16.....	F-9-25	
BOLT, FLANGE, 6X18.....	E-6-22	
BOLT, FLANGE, 6X18.....	F-2-29	
BOLT, FLANGE, 6X20.....	E-5-18	
BOLT, FLANGE, 6X20.....	E-9-34	
BOLT, FLANGE, 6X20.....	E-9-20-19	
BOLT, FLANGE, 6X20.....	E-9-20-27	
BOLT, FLANGE, 6X20.....	E-20-10-5	
BOLT, FLANGE, 6X20.....	F-2-31	
BOLT, FLANGE, 6X20.....	F-4-18	
BOLT, FLANGE, 6X20.....	F-7-20-8	
BOLT, FLANGE, 6X20.....	F-10-28	
BOLT, FLANGE, 6X22.....	E-4-10	
BOLT, FLANGE, 6X22.....	F-7-10-11	
BOLT, FLANGE, 6X22.....	F-8-10-23	
BOLT, FLANGE, 6X22.....	F-9-26	
BOLT, FLANGE, 6X23.....	F-10-24	
BOLT, FLANGE, 6X25.....	E-3-23	
BOLT, FLANGE, 6X25.....	E-5-17	
BOLT, FLANGE, 6X25.....	E-10-19	
BOLT, FLANGE, 6X25.....	E-18-21	
BOLT, FLANGE, 6X25.....	E-18-10-46	
BOLT, FLANGE, 6X25.....	F-9-24	
BOLT, FLANGE, 6X27.....	E-18-19	
BOLT, FLANGE, 6X28.....	E-9-10-15	
BOLT, FLANGE, 6X30.....	E-9-35	
BOLT, FLANGE, 6X32.....	E-9-20-28	
BOLT, FLANGE, 6X32.....	E-10-20	
BOLT, FLANGE, 6X38.....	E-9-10-20	
BOLT, FLANGE, 6X52.....	E-9-20-17	
BOLT, FLANGE, 8X100.....	E-6-13	
BOLT, FLANGE, 8X110.....	E-9-20-30	
BOLT, FLANGE, 8X18.....	F-7-10-12	
BOLT, FLANGE, 8X20.....	E-3-24	
BOLT, FLANGE, 8X20.....	E-19-25	
BOLT, FLANGE, 8X25.....	E-14-27	
BOLT, FLANGE, 8X28.....	E-19-26	
BOLT, FLANGE, 8X30.....	E-18-10-48	
BOLT, FLANGE, 8X30.....	F-9-23	
BOLT, FLANGE, 8X32.....	E-5-27	
BOLT, FLANGE, 8X35.....	E-3-25	
BOLT, FLANGE, 8X35.....	E-14-25	
BOLT, FLANGE, 8X35.....	F-10-56	
BOLT, FLANGE, 8X35.....	FOP-8-6-49	
BOLT, FLANGE, 8X45.....	E-14-26	
BOLT, FLANGE, 8X50.....	E-3-28	
BOLT, FLANGE, 8X50.....	E-10-16	
BOLT, FLANGE, 8X55.....	E-3-19	
BOLT, FLANGE, 8X55.....	E-10-10	
BOLT, FLANGE, 8X55.....	F-8-10-22	
BOLT, FLANGE, 8X60.....	E-15-20	
BOLT, FLANGE, 8X75.....	E-10-17	
BOLT, FLANGE, 8X90.....	E-9-20-29	
BOLT, FRICTION.....	FOP-8-6-29	
BOLT, FUEL PIPE.....	E-14-1	
BOLT, HEX.....	F-11-32	
BOLT, HEX., 10X235.....	F-10-29	
BOLT, HEX., 12X119.....	F-10-31	
BOLT, HEX., 12X130.....	E-6-12	
BOLT, HEX., 12X130.....	F-10-31	
BOLT, HEX., 12X225.....	F-3-20-11	
BOLT, HEX., 12X70.....	E-6-11	
BOLT, HEX., 4X20.....	FOP-12-7	
BOLT, HEX., 5X16.....	FOP-8-6-68	
BOLT, HEX., 6X12.....	F-4-17	
BOLT, HEX., 6X14.....	F-10-30	
BOLT, HEX., 6X50.....	F-3-20	
BOLT, OIL CHECK.....	F-3-12	
BOLT, RECESSED.....	F-11-29	
BOLT, SEALING, 14MM.....	E-9-3	
BOLT, SEALING, 18MM.....	E-5-7	
BOLT, SEALING, 20MM.....	E-3-2	
BOLT, SEALING, 20MM.....	E-5-1	
BOLT, SEALING, 20MM.....	E-9-20-21	
BOLT, SEALING, 22MM.....	E-3-26	
BOLT, SEALING, 22MM.....	E-5-19	
BOLT, SEALING, 28MM.....	E-3-3	
BOLT, SEALING, 6MM.....	E-18-10-44	
BOLT, SOCKET(A).....	F-11-30	
BOLT, SOCKET(B).....	F-11-31	
BOLT, SOCKET, 6X16.....	F-8-9	
BOLT, SOCKET, 6X20.....	F-8-7	
BOLT, SOCKET, 6X25.....	E-1-5	
BOLT, SOCKET, 6X25.....	E-20-3	
BOLT, SPECIAL ADJUSTER.....	E-19-23	
BOLT, SPECIAL, 6X17.....	F-8-20-14	
BOLT, SPECIAL, 6X220.....	FOP-9-2	
BOLT, SPECIAL, 6X31.....	E-9-10-18	
BOLT, SPECIAL, 8MM.....	E-5-14	
BOLT, STUD.....	E-19-8	
BOLT, STUD 2, 8X25.....	E-14-23	
BOLT, STUD, 10X55.....	F-9-27	
BOLT, STUD, 12X150.....	F-10-25	
BOLT, STUD, 8X32.....	E-14-24	
BOLT, TENSIONER.....	E-19-27	
BOLT, TENSIONER PIVOT.....	E-9-27	
BOLT-WASHER.....	E-19-13	
BOLT-WASHER, 10X30.....	E-10-11	
BOLT-WASHER, 10X32.....	F-3-13	
BOLT-WASHER, 10X40.....	F-3-15	
BOLT-WASHER, 11X155.....	E-9-20-15	
BOLT-WASHER, 11X95.....	E-3-21	
BOLT-WASHER, 16X49.....	E-7-15	

BOLT-WASHER, 5X30	E-15-18	CABLE COMP. B, COVER LOCK	F-8-10-9	CLIP, SENSOR HOSE	E-18-18
BOLT-WASHER, 6X25	E-13-5	CABLE SET, PANEL INDICATOR	FOP-6-2	CLIP, TUBE	E-18-1
BOLT-WASHER, 6X25	E-15-17	CABLE SET, PANEL INDICATOR	FOP-6-2	CLIP, TUBE	E-18-1-1
BOLT-WASHER, 6X27(CT200)	E-20-10-4	CABLE SET, PANEL INDICATOR	FOP-6-2	CLIP, TUBE	F-9-2
BOLT-WASHER, 8X10	E-3-11	CAMSHAFT COMP, EX.	E-9-4	CLIP, TUBE(B1 14.5)	E-18-23
BOLT-WASHER, 8X30	F-3-20-10	CAMSHAFT COMP, IN.	E-9-1	CLIP, TUBE(B1 14.5)	E-18-1-20
BOLT-WASHER, 8X30	F-8-10-24	CAP COMP., OIL TANK	F-11-28	CLIP, TUBE(B12)	E-18-24
BOLT-WASHER, 8X35	E-14-20	CAP, BOLT, 8MM	E-3-27	CLIP, TUBE(B12)	E-18-1-21
BOLT-WASHER, 8X35	E-18-20	CAP, GRIP	FOP-8-7	CLIP, TUBE(B12)	F-9-30
BOLT-WASHER, 8X35	E-18-10-45	CAP, GRIP	FOP-8-2-9	CLIP, TUBE(B8)	FOP-13-11
BOLT-WASHER, 8X40	F-4-19	CAP, HANDLE	FOP-8-6-5	CLIP, TUBE(BLACK)(135MM)	E-18-29
BOLT-WASHER, 8X40	FOP-10-1-8	CAP, L. SIDE COVER	F-8-10-21	CLIP, TUBE, 3.5	E-13-6
BOSS, FLYWHEEL	E-5-13	CAP, OIL(YELLOW)	E-3-12	CLIP, WIRE HARNESS	F-7-5
BOX ASSY., JUNCTION	F-7-20-1	CAP, REGULATOR	E-14-6	CLIP, WIRE HARNESS	F-8-20-20
BOX ASSY., REMOTE CONTROL	FOP-8-6-1	CAP, SWITCH	FOP-8-8	CLIP, WIRE HARNESS	F-10-49
BOX KIT, REMOTE CONTROL	FOP-8-1	CAP, WATER JOINT	F-8-20-1	CLIP, WIRE HARNESS(6.3MM)	FOP-8-6-65
BOX KIT, REMOTE CONTROL	FOP-8-2-1	CARTRIDGE, OIL FILTER	E-5-10	CLIP, WIRE HARNESS, 25MM	E-18-1-22
BOX KIT, REMOTE CONTROL	FOP-8-4-1	CASE ASSY., BALANCER HOLDER	E-10-1	CLUTCH COMP., OVERRUNNING	E-21-2
BRACKET A, CABLE	F-2-21	CASE ASSY., CHAIN	E-9-10-1	CLUTCH COMP., OVERRUNNING	E-21-2
BRACKET A, COUPLER	F-7-10-1	CASE ASSY., ELECTRONIC PARTS	E-20-10-1	COIL COMP, PLUG HOLE	E-20-1
BRACKET A, HARNESS CLIP	E-14-15	CASE ASSY., GEAR(L)	F-3-10-1	COLLAR	E-18-10-23
BRACKET ASSY.	F-11-5	CASE ASSY., GEAR(L)	F-3-10-1	COLLAR	E-18-10-26
BRACKET B, CABLE	F-7-10-6	CASE ASSY., GEAR(XL)	F-3-10-1	COLLAR, 8.5X14.5	E-14-35
BRACKET B, HARNESS CLIP	E-9-10-9	CASE ASSY., GEAR(XL)	F-3-10-1	COLLAR, 8.5X14.5	E-18-28
BRACKET C, HARNESS CLIP	E-9-10-10	CASE ASSY., GEAR(XL)	F-3-10-1	COLLAR, 8.5X14.5	E-18-10-52
BRACKET COMP., A.C. GENERATOR	E-19-17	CASE COMP, MOUNT	F-9-21	COLLAR, C.D.I. UNIT CASE	E-13-8
BRACKET D, HARNESS CLIP	E-3-15	CASE COMP, PUMP	E-18-10-27	COLLAR, C.D.I. UNIT CASE	E-15-22
BRACKET E, HARNESS CLIP	E-15-9	CASE COMP., SILENCER	E-15-5	COLLAR, C.D.I. UNIT CASE	E-20-10-6
BRACKET F, CLIP	E-9-20-12	CASE KIT, CHAIN	E-9-10-30	COLLAR, C.D.I. UNIT CASE	F-7-10-17
BRACKET, BUZZER	FOP-6-11-14	CASE, EXTENSION	F-3-20-1	COLLAR, CAMSHAFT	E-9-33
BRACKET, CLIP B	E-3-14	CASE, EXTENSION(L)	F-3-20-1	COLLAR, DISTANCE	F-4-34
BRACKET, FR	E-21-10	CASE, GEAR	F-3-3	COLLAR, DISTANCE	FOP-10-1-11
BRACKET, FR. UNDER COVER	F-8-10-5	CASE, OIL	E-6-1	COLLAR, DISTANCE(A)	FOP-9-3
BRACKET, HOOK	F-8-3	CASE, SWIVEL	F-10-9	COLLAR, DISTANCE(B)	FOP-9-4
BRACKET, L. SIDE COVER	F-8-10-7	CHAIN(176L)(BORG WARNER)	E-9-7	COLLAR, DISTANCE, 6.5X11X7.5	F-9-4
BRACKET, L. STERN	F-10-13	CHAIN(62L)	E-10-5	COLLAR, DISTANCE, 6.5X9X3	F-8-12
BRACKET, LINK JOINT	FOP-8-6-19	CIRCLIP, EXTERNAL, 14MM	F-5-28	COLLAR, DISTANCE, 6.5X9X5	F-8-20-21
BRACKET, NEUTRAL SWITCH	F-2-23	CIRCLIP, EXTERNAL, 14MM	F-5-1-30	COLLAR, DISTANCE, 6X10X43.5	FOP-8-6-67
BRACKET, R. SIDE COVER	F-8-10-6	CIRCLIP, EXTERNAL, 39MM	F-10-48	COLLAR, LINK JOINT	FOP-8-6-66
BRACKET, R. STERN	F-10-12	CIRCLIP, INTERNAL	F-11-34	COLLAR, LOWER CYLINDER	F-10-23
BRACKET, RELAY	E-3-18	CIRCLIP, INTERNAL, 40	F-3-20-16	COLLAR, LOWER MOUNTING	F-3-20-6
BRACKET, REMOTE CONTROL HOUSING	FOP-8-12	CLAMP	F-6-5	COLLAR, ORIFICE	F-11-46
BRACKET, REMOTE CONTROL HOUSING	FOP-8-2-13	CLAMP	F-6-8	COLLAR, SLIDING PLATE	FOP-8-6-16
BRACKET, RR	E-21-11	CLAMP	FOP-1-2	COLLAR, STEERING ROD	F-10-53
BRACKET, SENSOR CORD	E-15-10	CLAMP B, WATER TUBE	E-4-12	CONTROL UNIT, ELECTRONIC	E-20-10-3
BRACKET, SHIFT LINK	F-2-19	CLAMP, 18.5MM	E-9-10-28	CORD ASSY., INDICATOR(20FT)	FOP-6-4
BRACKET, SUB HARNESS CLIP	E-9-10-33	CLAMP, 18.5MM	E-13-7	CORD ASSY., INDICATOR(25FT)	FOP-6-4
BRACKET, TILTING	F-10-17	CLAMP, ENGINE SUB CORD	F-7-30-3	CORD ASSY., INDICATOR(30FT)	FOP-6-4
BRACKET, TROLLING CONTROL		CLAMP, FUEL HOSE	E-15-23	CORD COMP., EMERGENCY	FOP-6-1-9
SWITCH PANEL	FOP-12-4	CLAMP, HARNESS	FOP-8-6-9	CORD COMP., EMERGENCY	FOP-8-6-42
BRACKET, WATER TUBE CLAMP	E-4-5	CLAMP, HOSE	E-18-12	COTTER, VALVE(FUJI VALVE)	E-9-26
BREAKER ASSY.	F-11-1	CLAMP, HOSE	F-7-30-1	COVER ASSY.	FOP-8-4-11
BRUSH ASSY.	F-11-2	CLAMP, PIPE	E-18-13	COVER ASSY.	FOP-8-4-11
BRUSH SET	E-21-7	CLAMP, POWER TILT CORD	FOP-8-6-31	COVER ASSY., ENGINE *T107BAY BLUE	F-8-1
BRUSH SET	E-21-7	CLAMP, PURGE HOSE	E-18-30	COVER ASSY., ENGINE *T107BAY BLUE	F-8-1
BUFFER, PLATE	E-18-1-4	CLAMP, TUBE(8.0)	E-18-10-50	COVER ASSY., OIL PATH	E-9-20-8
BUSH A, COVER LOCK	F-2-25	CLAMP, TUBE(D10.5)	E-4-10-8	COVER B, TERMINAL	F-7-10-5
BUSH A, COVER LOCK	F-8-10-11	CLAMP, TUBE(D10.5)	F-9-29	COVER B, TERMINAL(L)	F-7-2
BUSH A, COVER LOCK	F-8-10-12	CLAMP, TUBE(D10.5)	F-9-31	COVER B, TERMINAL(L)	F-7-10-4
BUSH B, COVER LOCK	F-8-10-13	CLAMP, TUBE(D10.7)	E-18-22	COVER COMP.	E-18-10-6
BUSH COMP., VERTICAL SHAFT	F-3-20-2	CLAMP, TUBE(D17)	E-15-21	COVER COMP., CYLINDER HEAD	E-1-1
BUSH, BLADE BRAKE	F-2-26	CLAMP, TUBE(D25.0)	E-4-10-10	COVER COMP., FUSE	F-7-20-2
BUSH, INSULATION	E-19-20	CLAMP, TUBE(D32.5)	E-4-10-9	COVER COMP., PLUG HOLE COIL	E-1-4
BUSH, LOWER CYLINDER	F-11-25	CLAMP, WATER TUBE	E-4-10-11	COVER, BEARING	E-19-5
BUSH, MOTOR CODE	F-11-19	CLIP B1, TUBE	F-9-32	COVER, CHAIN CASE	E-9-10-2
BUSH, MOTOR CODE	FOP-13-8	CLIP(10.7MM)	F-8-20-18	COVER, DRAIN PLUG	F-8-20-8
BUSH, SWIVEL CASE	F-10-11	CLIP(14MM)	FOP-13-12	COVER, DUAL GRIP	FOP-8-2-8
BUSH, SWIVEL CASE	F-11-10	CLIP, BRAKE PIPE(A)	F-2-24	COVER, EX. MANIFOLD	E-4-3
BUSH, TILT ARM	F-10-16	CLIP, EMERGENCY LOCK	FOP-6-1-10	COVER, FLUSH VALVE	F-9-14
BUTTON, THROTTLE	FOP-8-9	CLIP, EMERGENCY LOCK	FOP-8-6-43	COVER, FR. SEPARATE	F-8-20-6
BUTTON, THROTTLE	FOP-8-2-10	CLIP, FUEL HOSE	E-18-25	COVER, GEAR CASE	F-3-5
BUTTON, THROTTLE	FOP-8-4-8	CLIP, FUEL TUBE, 14	E-14-31	COVER, GRIP	FOP-8-4-4
BUZZER COMP., WARNING	FOP-6-1-13	CLIP, FUEL TUBE, 14	F-7-10-15	COVER, IMPELLER	F-4-5
BUZZER COMP., WARNING	FOP-8-6-46	CLIP, HARNESS	E-18-27	COVER, IMPELLER	FOP-10-1-5
<C>		CLIP, HARNESS BAND(BLACK)	E-3-40	COVER, L. ENGINE UNDER	F-8-20-10
CABLE ASSY., REMOTE CONTROL(B)	FOP-8-6-34	CLIP, HARNESS BAND(BLACK)	F-7-6	COVER, L. GRIP	FOP-8-5
CABLE ASSY., STARTER	F-7-10-2	CLIP, HARNESS BAND(BLACK)	F-7-10-16	COVER, L. GRIP	FOP-8-2-6
CABLE ASSY., SWITCH PANEL	FOP-6-9	CLIP, HARNESS BAND(BLACK)	FOP-11-6	COVER, LOCK ARM	FOP-8-4-6
CABLE ASSY., SWITCH PANEL	FOP-6-9	CLIP, HARNESS BAND(BLACK)(145MM)	E-9-10-35	COVER, OIL PUMP	E-5-4
CABLE ASSY., SWITCH PANEL	FOP-6-9	CLIP, HARNESS BAND(NATURAL)	E-4-17	COVER, PUMP(A)	E-18-10-29
CABLE COMP. A, COVER LOCK	F-8-10-8	CLIP, INJECTOR	E-14-3	COVER, PUMP(B)	E-18-10-28
		CLIP, MUDGUARD	F-8-20-19	COVER, R. ENGINE UNDER	F-8-20-9
		CLIP, PISTON PIN	E-7-4	COVER, RELIEF VALVE	F-9-18

COVER, STARTER TERMINAL.....	F-7-10-3
COVER, THERMOSTAT.....	E-9-10-6
COVER, WATER JACKET.....	E-18-10-12
CRANKCASE COMP.....	E-3-1
CRANKSHAFT COMP.....	E-7-8
CRANKSHAFT COMP.....	E-7-8
CRANKSHAFT COMP.....	E-7-8
CUP SET, WATER SEPARATOR.....	E-18-1-3
CUP, FUEL STRAINER.....	E-18-1-13
<D>	
DAMPER, HOOK.....	F-8-4
DOWEL PIN, 10X12.....	E-7-17
DOWEL PIN, 10X16.....	E-5-25
DOWEL PIN, 10X16.....	E-6-20
DOWEL PIN, 10X16.....	E-9-20-25
DOWEL PIN, 13X14.....	E-3-34
DOWEL PIN, 13X20.....	E-3-33
DOWEL PIN, 14X20.....	E-5-26
DOWEL PIN, 14X20.....	E-6-21
DOWEL PIN, 14X20.....	E-9-20-26
DOWEL PIN, 18X13.....	E-10-12
DOWEL PIN, 18X22.....	E-3-32
DOWEL PIN, 4.2X10.3.....	E-9-32
DOWEL PIN, 6X10.....	E-6-19
DOWEL PIN, 6X10.....	F-3-18
DOWEL PIN, 6X10.....	F-3-20-17
DOWEL PIN, 6X10.....	F-4-25
DOWEL PIN, 8X10.....	E-10-13
DRIVER, SCREW(NO.2 + -).....	F-13-1
DUCT A, SILENCER.....	E-13-1
DUCT B, SILENCER.....	E-13-2
<E>	
END COVER, RR.....	E-19-19
END, NIPPLE.....	F-3-10
END, NIPPLE.....	FOP-13-5
E-RING, 10MM.....	F-4-35
E-RING, 12MM.....	F-2-51
E-RING, 15MM.....	F-11-47
E-RING, 3MM.....	FOP-8-6-77
E-RING, 4MM.....	F-2-49
E-RING, 4MM.....	FOP-8-6-78
E-RING, 6MM.....	F-2-50
E-RING, 6MM.....	F-8-10-29
E-RING, 6MM.....	FOP-8-36
E-RING, 6MM.....	FOP-8-2-41
E-RING, 6MM.....	FOP-8-4-28
E-RING, 7MM.....	FOP-8-6-79
<F>	
FILTER ASSY., SPOOL VALVE.....	E-9-20-7
FILTER ASSY., VTC.....	E-9-20-11
FILTER B.....	F-11-17
FILTER COMP., ELECTRONIC AIR CONTROL VALVE.....	E-14-16
FLANGE COMP., OIL FILTER.....	E-5-11
FLOAT SET.....	E-18-10-2
FLYWHEEL COMP.....	E-5-12
FRAME COMP., MOUNTING.....	F-10-5
FUSE, BLOCK 100A(L TYPE).....	F-7-20-3
FUSE, MINI(10A).....	F-7-20-10
FUSE, MINI(15A).....	F-7-20-11
FUSE, MINI(30A).....	F-7-20-12
<G>	
GASKET A, INJECTOR BASE.....	E-14-11
GASKET B, IMPELLER.....	F-4-6
GASKET B, IMPELLER.....	FOP-10-3
GASKET B, IMPELLER.....	FOP-10-1-6
GASKET COMP., CYLINDER HEAD.....	E-9-20-6
GASKET COMP., EX. MANIFOLD.....	E-4-4
GASKET, EX. GUIDE.....	F-9-6
GASKET, IDLE EX. PORT.....	F-9-8
GASKET, MOUNT CASE.....	E-6-8
GASKET, UPPER MOUNTING HOLDER.....	F-10-8
GAUGE COMP., OIL LEVEL.....	E-6-5
GEAR ASSY., PLANETARY.....	E-21-3
GEAR ASSY.,INTERNAL.....	E-21-15
GEAR ASSY.,INTERNAL.....	E-21-23
GEAR COMP., BEVEL(FORWARD 30T).....	F-5-7
GEAR COMP., BEVEL(RVS. 30T).....	F-5-1-8
GEAR, BEVEL(FORWARD 30T).....	F-5-1-7
GEAR, BEVEL(RVS. 30T).....	F-5-8
GEAR, PINION.....	F-4-16
GENERATOR ASSY., A.C.....	E-19-15
GENERATOR ASSY., A.C.....	E-19-15

GRIP.....	F-13-2
GRIP, REMOTE CONTROL HANDLE.....	FOP-8-6
GRIP, REMOTE CONTROL HANDLE.....	FOP-8-2-7
GRIP, REMOTE CONTROL HANDLE.....	FOP-8-6-4
GROMMET, ELECTRONIC PARTS CASE.....	E-20-10-2
GROMMET, EXTENSION CASE.....	F-4-12
GROMMET, GEAR CASE.....	F-3-4
GROMMET, POWER TILT SWITCH.....	F-8-20-4
GROMMET, RELAY.....	F-7-10-8
GROMMET, REMOTE CONTROL CABLE.....	F-8-10-2
GROMMET, SILENCER.....	E-15-6
GROMMET, SILENCER DUCT.....	E-15-7
GROMMET, TA SENSOR.....	E-15-14
GROMMET, UNDER CASE.....	E-13-4
GROMMET, UNDER CASE.....	E-15-15
GROMMET, UNDER CASE(C).....	F-8-10-3
GROMMET, UNDER COVER.....	F-8-20-5
GROMMET, VAPOR SEPARATOR.....	E-18-10-34
GROMMET, VAPOR SEPARATOR.....	E-18-10-35
GROMMET, WATER CHECK.....	F-8-20-13
GROMMET, WATER TUBE.....	E-6-6
GUIDE COMP. B, CAM CHAIN.....	E-9-12
GUIDE COMP., BALANCER SHAFT CHAIN.....	E-10-7
GUIDE COMP., CAM CHAIN.....	E-9-11
GUIDE COMP., EX.....	F-9-5
GUIDE COMP., ROD.....	F-11-15
GUIDE, ENGINE COVER AIR.....	F-8-6
GUIDE, EX. VALVE(OS).....	E-9-20-3
GUIDE, IN. VALVE(OS).....	E-9-20-2
<H>	
HANDLE, REMOTE CONTROL.....	FOP-8-4
HANDLE, REMOTE CONTROL.....	FOP-8-2-5
HANDLE, REMOTE CONTROL.....	FOP-8-4-3
HANDLE, REMOTE CONTROL.....	FOP-8-6-2
HANGER B, ENGINE.....	E-19-1
HANGER, ENGINE.....	E-3-5
HARNESS ASSY., MAIN WIRE.....	F-7-1
HARNESS ASSY., REMOTE CONTROL SUB.....	FOP-11-2
HARNESS ASSY., SUB WIRE(A).....	E-9-10-31
HARNESS ASSY., SUB WIRE(B).....	E-9-10-32
HARNESS ASSY., SWITCH PANEL.....	FOP-6-1-4
HARNESS COMP.....	E-18-10-42
HARNESS, TROLLING CONTROL SWITCH PANEL.....	FOP-12-5
HEAD KIT, CYLINDER.....	E-9-20-1
HOLDER.....	E-18-10-11
HOLDER ASSY., BRUSH.....	E-19-2
HOLDER COMP., BRUSH.....	E-21-9
HOLDER COMP., BRUSH.....	E-21-9
HOLDER, BEARING.....	F-5-1-11
HOLDER, DRAIN TUBE.....	F-2-47
HOLDER, NEUTRAL LOCK.....	FOP-8-4-14
HOLDER, OIL FILTER.....	E-5-16
HOLDER, PROPELLER SHAFT.....	F-5-10
HOLDER, PROPELLER SHAFT.....	F-5-1-10
HOLDER, SEAL.....	F-2-20
HOLDER, SHIFT ROD.....	F-4-11
HOLDER, SHIFT ROD.....	F-4-11
HOLDER, SHIFT ROD.....	F-4-11
HOLDER, SHIFT ROD.....	F-4-11
HOLDER, UPPER MOUNTING.....	F-10-7
HOSE COMP., FUEL.....	E-18-6
HOSE KIT, RIGGING.....	FOP-1-1
HOSE, PRESSURE REGULATOR RETURN.....	E-18-14
HOUSING ASSY., L. INNER.....	FOP-8-3
HOUSING ASSY., L. INNER.....	FOP-8-2-3
HOUSING ASSY., R. INNER.....	FOP-8-2-4
HOUSING ASSY., R. INNER.....	FOP-8-4-2
HOUSING COMP., DUAL REMOTE CONTROL BOX.....	FOP-8-2-14
HOUSING COMP., DUAL REMOTE CONTROL BOX.....	FOP-8-2-14
HOUSING COMP., REMOTE CONTROL BOX.....	FOP-8-13
HOUSING COMP., REMOTE CONTROL BOX.....	FOP-8-13
HOUSING COMP., REMOTE CONTROL BOX(A)LA,XA.....	FOP-8-6-10
HOUSING COMP., REMOTE CONTROL BOX(B)LA,XA.....	FOP-8-6-11

HOUSING, IMPELLER.....	F-4-3
HOUSING, IMPELLER.....	FOP-10-1-3
HOUSING, LEAD.....	FOP-8-14
HOUSING, LEAD.....	FOP-8-2-15
HOUSING, LOWER CENTER MOUNTING.....	F-3-20-7
HOUSING, LOWER MOUNTING.....	F-3-20-4
HOUSING, REMOTE CONTROL BOX(C).....	FOP-8-6-12
HOUSING, WATER SEAL.....	F-4-15
<I>	
IMPELLER, PUMP.....	F-4-2
IMPELLER, PUMP.....	FOP-10-2
IMPELLER, PUMP.....	FOP-10-1-2
INJECTOR ASSY., FUEL.....	E-14-2
INSULATOR.....	E-18-10-31
INSULATOR COMP.....	E-18-10-30
<J>	
JOINT A, BREATHER.....	FOP-13-2
JOINT ASSY (INLET).....	F-6-2
JOINT ASSY (OUTLET).....	F-6-3
JOINT SET.....	E-18-10-8
JOINT, DRIVE.....	F-11-14
JOINT, FOUR-WAY.....	E-4-10-6
JOINT, FUEL PIPE.....	E-14-8
JOINT, FUEL PIPE.....	E-14-9
JOINT, FUEL PIPE.....	E-18-10-38
JOINT, FUEL TUBE.....	E-4-10-2
JOINT, FUEL TUBE.....	E-18-1-18
JOINT, WATER HOSE.....	F-9-12
<K>	
KEY, 4.5X21.....	E-7-16
KEY, WOODRUFF.....	F-4-24
KEY, WOODRUFF.....	FOP-10-4
KEY, WOODRUFF.....	FOP-10-1-9
KIT, CABLE(NMMEA)(6FT).....	FOP-11-1
KIT, COVER HOOK.....	F-8-15
<L>	
LABEL, FUSE.....	F-12-1
LABEL, OIL CAUTION(E).....	F-12-7
LABEL, OIL CAUTION(EF).....	F-12-7
LABEL, WARNING OPERATOR.....	F-12-8
LABEL, WARNING OPERATOR(EC).....	F-12-8
LAMP ASSY., INDICATION.....	FOP-8-6-44
LAMP ASSY., INDICATION(4-LED).....	FOP-6-1-11
LEVER SET.....	E-21-17
LEVER, COVER LOCK.....	F-8-10-10
LEVER, HANDLE LOCK.....	FOP-8-6-3
LEVER, IDLE.....	FOP-8-6-22
LINE, FUEL.....	E-14-4
LINER, PUMP.....	F-4-4
LINER, PUMP.....	FOP-10-1-4
LINER, SWIVEL CASE.....	F-10-10
LINK, THROTTLE.....	F-2-3
LINKAGE, PIVOT.....	F-2-1
LOCK COMP., FR.....	F-8-10-19
LOCK COMP., FR.....	F-8-10-19
LOCK COMP., SIDE.....	F-8-10-20
LOCK COMP., SIDE.....	F-8-10-20
LOW PERMEATION HOSE L=1600.....	F-6-7
LOW PERMEATION HOSE L=700.....	F-6-6
<M>	
MANIFOLD COMP., EX.....	E-4-2
MANIFOLD COMP., INLET.....	E-14-14
MARK, FAST IDLE.....	FOP-8-6-48
MARK, FLUSH MOUNT.....	FOP-8-4-19
MARK, FR. EMBLEM(115).....	F-12-4
MARK, HANDLE FLUSH MOUNT.....	FOP-8-4-18
MARK, HANDLE FLUSH MOUNT.....	FOP-8-4-18
MARK, REMOTE CONTROL(DUAL).....	FOP-8-2-24
MARK, REMOTE CONTROL(SINGLE).....	FOP-8-21
MARK, RR.(115).....	F-12-2
MARK, SIDE STRIPE.....	F-12-3
MARK, SIDE STRIPE.....	F-12-10
METAL COMP., ANODE.....	F-3-9
METAL KIT, ANODE.....	F-10-1
METAL, ANODE.....	E-4-1
METAL, BALANCER SHAFT(DAIDO).....	E-10-8
METER LEAD WIRE.....	FOP-2-3
MOTOR ASSY., POWER TILT.....	F-11-4
MOTOR ASSY., STARTER.....	E-21-1
MOUNT COMP., UPPER RUBBER.....	F-10-6
<N>	
NIPPLE, GREASE.....	F-10-50
NIPPLE, SENSOR.....	F-3-11

NUT, ADJUSTER ROD.....	F-10-36	O-RING, 26X2.7.....	E-3-36	PLATE, LEVER SETTING.....	FOP-8-6-8
NUT, CASTLE, 18MM.....	F-5-13	O-RING, 3.5X35.7.....	F-11-41	PLATE, LOCK.....	F-2-17
NUT, CASTLE, 18MM.....	F-5-1-14	O-RING, 3.5X38.7.....	F-11-38	PLATE, REMOTE CONTROL.....	FOP-8-6-47
NUT, CLIP.....	F-8-20-16	O-RING, 3.5X41.7.....	F-11-42	PLATE, REMOTE CONTROL CABLE.....	F-2-5
NUT, FLANGE CAP, 10MM.....	E-3-30	O-RING, 33.2X2.4(NOK).....	E-18-26	PLATE, RUBBER SETTING.....	F-3-1
NUT, FLANGE CAP, 6MM.....	E-1-6	O-RING, 37X2.4.....	E-4-15	PLATE, SHIFT.....	F-5-6
NUT, FLANGE, 10MM.....	F-10-37	O-RING, 55.6X3.5.....	F-4-31	PLATE, SHIFT.....	F-5-1-6
NUT, FLANGE, 12MM.....	F-3-20-13	O-RING, 58.5X3.5.....	F-4-33	PLATE, SHIFT PIVOT.....	F-2-14
NUT, FLANGE, 12MM.....	F-10-33	O-RING, 59.4X3.1.....	E-21-22	PLATE, SPEED SENSOR TUBE.....	FOP-13-7
NUT, FLANGE, 5MM.....	FOP-6-1-2	O-RING, 6.5X1.5.....	E-3-37	PLATE, SPRING SETTING.....	FOP-8-6-23
NUT, FLANGE, 6MM.....	E-14-29	O-RING, 6.9X1.45.....	F-3-19	PLATE, STEERING.....	F-10-19
NUT, FLANGE, 8MM.....	E-14-28	O-RING, 7.45X3.61(NOK).....	E-14-34	PLATE, STEERING.....	F-10-20
NUT, FLANGE, 8MM.....	E-19-29	O-RING, 7.47X3.6.....	E-14-33	PLATE, TDC PULSE.....	E-9-2
NUT, HEX., 12MM.....	F-10-54	O-RING, 7.8X1.9(ARAI).....	E-14-32	PLATE, WATER TUBE.....	E-6-7
NUT, HEX., 16MM.....	F-8-20-17	O-RING, 7.8X1.9(ARAI).....	E-18-10-51	PLATE, WINKER BUZZER.....	FOP-6-1-12
NUT, HEX., 16MM.....	FOP-6-1-16	O-RING, 76.4X3.1.....	E-4-13	PLATE, WINKER BUZZER.....	FOP-8-6-45
NUT, HEX., 16MM.....	FOP-8-6-53	O-RING, 79.8X3.1.....	E-4-14	PLUG, INNER CONNECTOR.....	FOP-6-1-5
NUT, HEX., 18MM.....	F-4-21	O-RING, 9.5X1.5(HONDA KIKAKI).....	E-9-10-25	PLUG, INNER CONNECTOR.....	FOP-8-6-35
NUT, HEX., 20MM.....	F-2-32	O-RING, 9.5X1.9.....	E-3-38	PLUG, INNER CONNECTOR.....	FOP-11-3
NUT, HEX., 4MM.....	FOP-12-8	O-RING, 9.5X1.9.....	E-4-16	PLUG, OUTER CONNECTOR.....	FOP-6-1-6
NUT, HEX., 5MM.....	F-2-48	O-RING, 9.5X1.9.....	E-9-10-26	PLUG, OUTER CONNECTOR.....	FOP-8-6-36
NUT, HEX., 5MM.....	FOP-8-29	O-RING, CHAIN CASE.....	E-9-10-23	PLUG, OUTER CONNECTOR.....	FOP-11-4
NUT, HEX., 5MM.....	FOP-8-35	O-RING, THERMOSTAT COVER.....	F-9-20	PLUG, SPARK(IZFR6K-11).....	E-20-4
NUT, HEX., 5MM.....	FOP-8-2-33	O-RING, WATER PUMP.....	F-4-32	PLUG, SPARK(KJ20DR-M11).....	E-20-4
NUT, HEX., 5MM.....	FOP-8-2-34	O-RING, WATER PUMP.....	FOP-10-5	PLUG, SPARK(SKJ20DR-M11).....	E-20-4
NUT, HEX., 5MM.....	FOP-8-2-40	O-RING, WATER PUMP.....	FOP-10-1-10	PLUG, SPARK(ZFR6K-11).....	E-20-4
NUT, HEX., 5MM.....	FOP-8-6-76	<P>		PLUG, TDC HOLE.....	E-9-20-14
NUT, HEX., 6MM.....	E-19-31	PACKING.....	E-21-16	PLUG, VTC HOLE.....	E-9-20-9
NUT, HEX., 6MM.....	F-8-14	PACKING.....	F-11-45	PORT, IDLE EXHAUST.....	F-9-7
NUT, HEX., 6MM.....	FOP-8-4-25	PACKING, CHAIN CASE.....	E-9-10-24	PRIMER BULB.....	F-6-4
NUT, HEX., 6MM.....	FOP-8-6-54	PACKING, CYLINDER HEAD COVER.....	E-1-2	PRIMER BULB ASSY.....	F-6-1
NUT, HEX., 6MM.....	FOP-8-6-75	PACKING, DUAL.....	FOP-8-2-19	PROPELLER COMP., THREE BLADES.....	F-5-11
NUT, HEX., 6MM.....	FOP-9-5	PACKING, ELECTRONIC AIR.....		PROPELLER COMP., THREE BLADES.....	F-5-11
NUT, LOCK, 64MM.....	F-4-20	CONTROL VALVE.....	E-14-18	PROPELLER COMP., THREE BLADES.....	F-5-11
NUT, PULLEY LOCK.....	E-19-7	PACKING, FLASH VALVE.....	F-9-19	PROPELLER COMP., THREE BLADES.....	F-5-11
NUT, SELF-LOCK(25X2.0).....	F-10-35	PACKING, INTAKE MANIFOLD.....	E-14-12	PROPELLER COMP., THREE BLADES.....	F-5-11
NUT, SELF-LOCK(3/8-24UNF).....	F-10-38	PACKING, OIL PAN.....	E-6-2	PROPELLER COMP., THREE BLADES.....	F-5-11
NUT, SELF-LOCK(7/8-14UNF).....	F-10-34	PACKING, OIL PUMP BODY.....	E-5-3	PROPELLER COMP., THREE BLADES.....	F-5-11
NUT, SELF-LOCK, 5MM.....	F-3-17	PACKING, SINGLE.....	FOP-8-18	PROPELLER COMP., THREE BLADES.....	F-5-11
NUT, SELF-LOCK, 6MM.....	F-3-16	PACKING, THERMOSTAT COVER.....	E-9-10-7	PROPELLER COMP., THREE BLADES.....	F-5-11
NUT, TAPPET ADJUSTING.....	E-9-30	PACKING, THROTTLE BODY.....	E-14-13	PROPELLER COMP., THREE BLADES.....	F-5-11
NUT, TAPPET ADJUSTING.....	E-9-31	PANEL ASSY., TROLLING CONTROL.....	FOP-12-6	PROPELLER COMP., THREE BLADES.....	F-5-11
NUT, WATER MOUTH.....	F-9-11	PANEL KIT, SWITCH(4-LED).....	FOP-6-1-1	PROPELLER COMP., THREE BLADES.....	F-5-1-12
NUT-WASHER, 5MM.....	E-19-30	PANEL KIT, SWITCH(4-LED) (EU).....	FOP-6-1-1	PROPELLER COMP., THREE BLADES.....	F-5-1-12
NUT-WASHER, 6MM.....	F-7-4	PANEL, CONTROL.....	FOP-6-1-3	PROPELLER COMP., THREE BLADES.....	F-5-1-12
NUT-WASHER, 8MM.....	F-7-10-13	PANEL, CONTROL.....	FOP-6-1-3	PROPELLER COMP., THREE BLADES.....	F-5-1-12
<O>		PIN A, DOWEL, 12X16.....	E-10-14	PULLER, MINI FUSE.....	F-7-20-4
OIL SEAL.....	F-11-35	PIN, 6X6.....	FOP-8-6-63	PULLER.....	E-19-6
OIL SEAL, 14X26X6.....	F-2-44	PIN, LINK.....	F-2-38	PULLEY, CRANKSHAFT.....	E-7-14
OIL SEAL, 31X46X7(NOK).....	E-5-21	PIN, LOCK, 6MM.....	FOP-8-6-62	PUMP ASSY.....	F-11-12
OIL SEAL, 39.5X52X6(ARAI).....	F-10-51	PIN, PISTON.....	E-7-3	PUMP ASSY., FUEL.....	E-18-5
OIL SEAL, 43X58X7(ARAI).....	E-9-10-22	PIN, SHIFT LINK.....	F-2-39	PUMP ASSY., OIL.....	E-5-2
OIL SEAL, 46X60X9.....	E-5-20	PIN, SHIFTER, 8X47.....	F-5-2	PUMP KIT, IMPELLER.....	FOP-10-1
OIL SEAL, 80X98X10(ARAI).....	E-3-35	PIN, SHIFTER, 8X47.....	F-5-1-2	PUMP KIT, IMPELLER.....	FOP-10-1-1
ORIFICE, LOWER BLOCK.....	E-3-4	PIN, SNAP, 12MM.....	F-2-41	PUMP UNIT, FUEL.....	E-18-10-4
ORIFICE, OIL JET.....	E-3-8	PIN, SPLIT, 4.0.....	F-5-19	PUMP UNIT, FUEL(B).....	E-18-10-9
O-RING.....	E-15-12	PIN, SPLIT, 4.0.....	F-5-1-21	<R>	
O-RING.....	E-18-1-5	PIN, SPRING, 2.5X20.....	F-10-55	RECEIVER, THRUST.....	F-10-22
O-RING.....	E-18-1-16	PIN, UPPER CYLINDER.....	F-11-26	RECTIFIER ASSY.....	E-19-21
O-RING.....	E-18-10-13	PIPE COMP., OIL LEVEL.....	F-9-1	REGULATOR ASSY.....	E-19-22
O-RING.....	E-18-10-14	PIPE, HARNESS GUIDE.....	FOP-8-6-32	REGULATOR ASSY., PRESSURE.....	E-14-5
O-RING.....	E-18-10-15	PISTON A.....	E-7-2	RELAY ASSY., FUEL PUMP(DENSO).....	F-7-20-5
O-RING.....	E-18-10-16	PISTON B.....	E-7-2	RELAY ASSY., POWER TILT.....	F-7-10-7
O-RING.....	E-18-10-17	PISTON COMP., FREE.....	F-11-22	RELAY ASSY., POWER(12V-20A).....	F-7-20-6
O-RING.....	E-18-10-18	PIVOT, SHIFT.....	F-2-15	RETAINER, SPRING.....	E-7-18
O-RING SET, 3.5X31.7.....	F-11-43	PIVOT, SHIFT.....	FOP-8-6-17	RETAINER, VALVE SPRING.....	E-9-24
O-RING, 1.8X69.6.....	F-11-37	PIVOT, SHIFT SLIDE.....	F-2-16	RING, RETAINER.....	E-18-10-32
O-RING, 1.8X7.7.....	F-11-39	PLATE.....	E-18-1-17	RING SET, PISTON(STD.).....	E-7-1
O-RING, 1.9X11.....	F-11-40	PLATE.....	E-18-10-10	RING, BACK UP.....	F-11-18
O-RING, 105X3.1.....	F-5-27	PLATE COMP., SLIDING.....	FOP-8-6-15	RING, CROSS PIN.....	F-5-3
O-RING, 105X3.1.....	F-5-1-29	PLATE COMP., THROTTLE.....	F-2-4	RING, CROSS PIN.....	F-5-1-3
O-RING, 11.5X3.5.....	F-9-35	PLATE SET, TRANSOM(5.5MM FLAT).....	FOP-7-2	RING, INNER(15X20X23).....	F-2-43
O-RING, 13X1.5(ARAI).....	E-3-39	PLATE SET, TRIM ADJUST.....	FOP-7-1	RING, STOPPER.....	F-2-11
O-RING, 15.54X2.26.....	F-10-52	PLATE, CABLE CLAMP.....	FOP-8-11	RING, WATER TUBE SEAL.....	F-4-8
O-RING, 15X1.9.....	E-9-10-27	PLATE, CABLE CLAMP.....	FOP-8-2-12	RING, WATER TUBE SEAL.....	FOP-10-1-7
O-RING, 15X1.9.....	E-9-20-22	PLATE, CRANK PULSER.....	E-7-13	ROD COMP. A, SHIFT(L).....	F-2-10
O-RING, 15X1.9.....	E-9-20-23	PLATE, DWELL.....	FOP-8-15	ROD COMP. A, SHIFT(XL).....	F-2-10
O-RING, 16MM.....	F-9-34	PLATE, DWELL.....	FOP-8-2-16	ROD COMP., CONNECTING.....	E-7-6
O-RING, 2.0X70.5.....	F-11-36	PLATE, DWELL.....	FOP-8-4-10	ROD COMP., CONNECTING.....	E-7-6
O-RING, 20.6X2.6.....	E-6-18	PLATE, HANDLE.....	FOP-8-10	ROD COMP., PISTON.....	F-11-20
O-RING, 22.5X2.4.....	E-5-22	PLATE, HANDLE.....	FOP-8-2-11	ROD COMP., PISTON(B).....	F-11-13
O-RING, 25X2.4(NOK).....	F-2-46				

ROD COMP., SHIFT	F-4-9	SCREW-WASHER	E-19-10	SPACER, CABLE CLAMP	FOP-8-6-33
ROD COMP., SHIFT	F-4-9	SCREW-WASHER, 4X25	E-19-11	SPACER, CLICK SPRING	FOP-8-6-27
ROD COMP., THROTTLE	F-2-2	SCREW-WASHER, 5X15	F-7-20-9	SPACER, NEUTRAL SWITCH	FOP-8-6-30
ROD, ADJUSTING	F-10-14	SEAL A, COVER UNDER	F-8-20-11	SPACER, REMOTE CONTROL BOX	FOP-8-6-26
ROD, STEERING	F-10-21	SEAL A, VALVE STEM(ARAI)	E-9-20-4	SPRING COMP., CLICK	F-10-2
ROLLER, 3X12.8	F-5-25	SEAL A, VALVE STEM(NOK)	E-9-20-4	SPRING, ACCELERATOR WHEEL	FOP-8-6-21
ROLLER, 3X12.8	F-5-1-27	SEAL B, COVER UNDER	F-8-20-12	SPRING, AIR FLOW TUBE	E-15-3
ROLLER, 5X8	E-5-28	SEAL B, VALVE STEM(ARAI)	E-9-20-5	SPRING, CHOKE RETURN	FOP-8-6-25
ROLLER, CLICK	FOP-8-6-64	SEAL B, VALVE STEM(NOK)	E-9-20-5	SPRING, CLICK	F-2-9
ROTOR ASSY.	E-19-16	SEAL, ENGINE COVER	F-8-2	SPRING, CLICK ASSIST	F-10-3
ROTOR COMP.	E-21-5	SEAL, FR. SEPARATE COVER	F-8-20-7	SPRING, COVER LOCK HOOK	F-8-10-14
ROTOR, INNER OIL PUMP	E-5-8	SEAL, PLUG HOLE	E-20-2	SPRING, COVER LOCK HOOK	F-8-10-15
ROTOR, OUTER OIL PUMP	E-5-9	SEAL, SPARK PLUG TUBE(NOK)	E-1-3	SPRING, EX. VALVE(GRAY)	E-9-23
RUBBER B, STAND STOPPER	F-8-20-23	SEAL, WATER	F-11-44	SPRING, FLUSH VALVE	F-9-15
RUBBER COMP., LOWER MOUNT	F-3-20-5	SEAL, WATER(14X26X8)	F-2-45	SPRING, IN. VALVE(PINK)	E-9-22
RUBBER, FR. CARRIER CUSHION	E-14-19	SEAL, WATER, 12X21X6	F-4-30	SPRING, LOCK ADJUSTER	F-8-5
RUBBER, MOUNT CASE SEAL	F-9-22	SEAL, WATER, 22X35X7	F-9-33	SPRING, LOCK LEVER RETURN	F-8-10-16
RUBBER, OIL PUMP	E-6-3	SEAL, WATER, 23X36X6	F-4-29	SPRING, MOTOR	F-11-8
RUBBER, RING	E-9-10-29	SEAL, WATER, 23X36X8	F-4-28	SPRING, NEUTRAL LOCK ARM	FOP-8-4-7
RUBBER, TROLLING CONTROL		SEAL, WATER, 30X45X7	F-5-26	SPRING, RELIEF VALVE	E-5-6
SWITCH PANEL	FOP-12-2	SEAL, WATER, 30X45X7	F-5-1-28	SPRING, REMOTE CONTROL HANDLE	FOP-8-6-7
<S>		SEAT, SPRING(150)	E-7-19	SPRING, SET	E-18-10-41
SCREEN COMP., FUEL STRAINER	E-18-10-40	SEAT, VALVE SPRING	E-9-25	SPRING, SHIFT	F-5-5
SCREEN, L. WATER	F-3-7	SEAT, WATER MOUTH	F-9-13	SPRING, SHIFT	F-5-1-5
SCREEN, R. WATER	F-3-6	SENSOR ASSY., AIR TEMP.	E-15-13	SPRING, SHIFT CLICK	FOP-8-6-24
SCREW	E-19-9	SENSOR ASSY., CRANK	E-9-10-13	SPRING, SHIFT ROD	F-4-10
SCREW	E-19-12	SENSOR ASSY., KNOCK	E-3-13	SPRING, SILENCER DUCT GROMMET	E-15-8
SCREW SET	E-15-1	SENSOR ASSY., MAP	E-15-11	SPRING, SUPPORT	E-7-20
SCREW SET, DRAIN	E-18-10-7	SENSOR ASSY., TDC	E-9-20-13	SPROCKET COMP., CHAIN DRIVE	E-7-12
SCREW, 6X95	FOP-8-6-52	SENSOR ASSY., TRIM ANGLE	F-10-4	SPROCKET, CAM CHAIN DRIVEN	E-9-5
SCREW, FLAT, 5X12	FOP-8-6-51	SENSOR ASSY., WATER TEMPERATURE	E-3-16	SPROCKET, CAM CHAIN DRIVEN IN.	E-9-6
SCREW, FLAT, 6X16	E-5-23	SENSOR ASSY., WATER TEMPERATURE	E-4-7	SPROCKET, DRIVEN(17T)	E-10-4
SCREW, OVAL, 5X50	F-3-21	SENSOR ASSY., WATER TEMPERATURE	E-9-10-11	STAY A, PLATE	E-18-10-3
SCREW, PAN	E-18-10-21	SENSOR ASSY., WATER TEMPERATURE	E-9-10-12	STAY, A.C. GENERATOR	E-19-18
SCREW, PAN, 4X10	FOP-8-26	SENSOR, LAF	E-4-6	STAY, FUEL STRAINER	E-18-1-14
SCREW, PAN, 4X10	FOP-8-2-29	SENSOR, OIL PRESSURE	E-3-17	STAY, PLATE	E-18-10-36
SCREW, PAN, 5X10	FOP-8-23	SEPARATOR ASSY., VAPOR	E-18-10-33	STAY, POWER TILT SWITCH	F-8-20-3
SCREW, PAN, 5X10	FOP-8-2-26	SEPARATOR ASSY., WATER	E-18-1-2	STAY, VAPOR SEPARATOR	E-18-10-37
SCREW, PAN, 5X10	FOP-8-6-69	SHAFT ASSY., CLUTCH	E-21-13	STOPPER SET, SLEEVE	E-21-8
SCREW, PAN, 5X12	E-18-1-12	SHAFT ASSY., CLUTCH	E-21-13	STOPPER SET, SLEEVE	E-21-8
SCREW, PAN, 5X16	FOP-8-22	SHAFT ASSY., GEAR	E-21-14	STOPPER(TOOL)	E-9-9
SCREW, PAN, 5X16	FOP-8-2-25	SHAFT ASSY., GEAR	E-21-14	STOPPER, TILT	F-10-18
SCREW, PAN, 5X16	FOP-8-4-20	SHAFT COMP. A, SHIFT	F-2-12	STRAINER ASSY., VTC	E-9-20-10
SCREW, PAN, 5X18	E-15-16	SHAFT COMP. B, SHIFT	F-2-18	STRAINER COMP., FUEL	E-18-1-10
SCREW, PAN, 5X18	FOP-8-25	SHAFT COMP., FR. BALANCER	E-10-2	STRAINER COMP., OIL	E-6-4
SCREW, PAN, 5X18	FOP-8-2-28	SHAFT COMP., RR. BALANCER	E-10-3	STRAINER, FUEL	E-18-1-11
SCREW, PAN, 5X20	FOP-8-24	SHAFT, COVER OPEN	F-8-10-17	STRAINER, FUEL PUMP	E-18-9
SCREW, PAN, 5X20	FOP-8-2-27	SHAFT, EX. ROCKER	E-9-16	SUB HARNESS ASSY., POWER TRIM-TILT(A)	FOP-8-19
SCREW, PAN, 5X30	FOP-8-4-22	SHAFT, FR. LOCK	F-8-10-18	SUB HARNESS ASSY., POWER TRIM-TILT(A)	FOP-8-2-20
SCREW, PAN, 5X40	FOP-6-1-15	SHAFT, IN. ROCKER	E-9-15	SUB HARNESS ASSY., POWER TRIM-TILT(B)	FOP-8-2-21
SCREW, PAN, 5X40	FOP-8-28	SHAFT, PROPELLER	F-5-9	SUB HARNESS ASSY., POWER TRIM-TILT(C)	FOP-8-4-16
SCREW, PAN, 5X40	FOP-8-2-31	SHAFT, PROPELLER	F-5-1-9	SUSPENSION, STRAINER	E-18-10
SCREW, PAN, 5X55	FOP-8-2-32	SHAFT, THROTTLE BUTTON	FOP-8-4-9	SUSPENSION, STRAINER	E-18-1-15
SCREW, PAN, 5X65	FOP-8-34	SHAFT, TILTING	F-10-15	SWITCH ASSY., COMBINATION	FOP-6-1-7
SCREW, PAN, 5X65	FOP-8-2-39	SHAFT, VERTICAL(L)	F-4-13	SWITCH ASSY., COMBINATION	FOP-8-6-38
SCREW, PAN, 5X8	E-21-20	SHAFT, VERTICAL(XL)	F-4-13	SWITCH ASSY., EMERGENCY STOP	FOP-6-1-8
SCREW, PAN, 6X10	FOP-8-6-50	SHIFTER, CLUTCH	F-5-1	SWITCH ASSY., EMERGENCY STOP	FOP-8-6-41
SCREW, PAN, 6X18	E-4-18	SHIFTER, CLUTCH	F-5-1-1	SWITCH ASSY., MAGNET	E-21-12
SCREW, PAN, 6X18	FOP-8-27	SHIM A, BEVEL(0.10)	F-5-17	SWITCH ASSY., MAGNET	E-21-12
SCREW, PAN, 6X18	FOP-8-2-30	SHIM A, BEVEL(0.10)	F-5-1-18	SWITCH ASSY., NEUTRAL	F-2-22
SCREW, PAN, 6X22	E-21-19	SHIM A, GEAR(0.10)	F-4-23	SWITCH ASSY., POWER TILT	F-8-20-2
SCREW, PAN, 6X22(SPECIAL)	E-21-19	SHIM A, THRUST(0.10)	F-5-1-19	SWITCH ASSY., POWER TRIM-TILT	FOP-8-6-39
SCREW, PAN, 6X25	F-8-20-22	SHIM B, BEVEL(0.15)	F-5-17	SWITCH ASSY., POWER TRIM-TILT (A)	FOP-8-20
SCREW, PAN, 6X35	FOP-8-4-23	SHIM B, BEVEL(0.15)	F-5-1-18	SWITCH ASSY., POWER TRIM-TILT (A)	FOP-8-2-22
SCREW, PAN, 6X8	F-3-20-12	SHIM B, GEAR(0.15)	F-4-23	SWITCH ASSY., POWER TRIM-TILT (B)	FOP-8-2-23
SCREW, PAN, 6X8	F-11-33	SHIM B, THRUST(0.15)	F-5-1-19	SWITCH ASSY., POWER TRIM-TILT (C)	FOP-8-4-17
SCREW, PAN, 6X8	FOP-13-9	SHIM C, BEVEL(0.30)	F-5-17	SWITCH ASSY., TROLLING CONTROL	FOP-12-1
SCREW, RIVET, 5X10	F-8-20-15	SHIM C, BEVEL(0.30)	F-5-1-18	<T>	
SCREW, RIVET, 5X10	FOP-13-10	SHIM C, GEAR(0.30)	F-4-23	TAB, TRIM	F-3-8
SCREW, TAPPET ADJUSTING	E-9-20	SHIM C, THRUST(0.30)	F-5-1-19	TACHOMETER HOUR METER	FOP-2-2
SCREW, TAPPET ADJUSTING	E-9-21	SHIM D, BEVEL(0.50)	F-5-17	TACHOMETER HOUR METER	FOP-2-2
SCREW, TAPPING	FOP-1-3	SHIM D, BEVEL(0.50)	F-5-1-18	TANK, OIL	F-11-27
SCREW, TAPPING, 4X12	F-8-13	SHIM D, GEAR(0.50)	F-4-23	TENSIONER ASSY., CAM CHAIN	E-9-8
SCREW, TAPPING, 5X10	FOP-8-6-71	SHIM D, THRUST(0.50)	F-5-1-19	TENSIONER COMP., BALANCER SHAFT CHAIN	E-10-6
SCREW, TAPPING, 5X12	FOP-8-6-72	SLIDER, SHIFT	F-5-4	TERMINAL, CABLE	FOP-8-16
SCREW, TAPPING, 5X20	E-13-9	SLIDER, SHIFT	F-5-1-4	TERMINAL, CABLE	FOP-8-2-17
SCREW, TAPPING, 5X25	FOP-8-6-74	SLINGER, OIL	F-4-14	TERMINAL, CABLE	FOP-8-4-12
SCREW, TAPPING, 5X8	FOP-8-6-70	SPACER KIT, REMOTE CONTROL BOX	FOP-8-2	THERMOSTAT ASSY.	E-9-10-3
SCREW, TAPPING, 6X16	FOP-8-6-73	SPACER KIT, REMOTE CONTROL BOX	FOP-8-2-2		
SCREW, TAPPING, 6X30	FOP-8-4-24	SPACER KIT, THERMOSTAT COVER	E-9-10-5		
SCREW, TRUSS, 4X12	FOP-8-4-21	SPACER, CABLE CLAMP	FOP-8-17		
SCREW, WASHER	E-18-10-22	SPACER, CABLE CLAMP	FOP-8-2-18		
SCREW-WASHER	E-18-10-20	SPACER, CABLE CLAMP	FOP-8-4-13		

THERMOSTAT ASSY.	E-9-10-4	WASHER, PLAIN, 10MM	F-5-1-20
THROTTLE BODY ASSY.	E-15-2	WASHER, PLAIN, 10MM	F-8-10-26
TIE, CABLE.....	FOP-11-5	WASHER, PLAIN, 10MM	F-10-43
TIE, CABLE(NATURAL)(2.4X92).....	FOP-6-12	WASHER, PLAIN, 10MM	F-10-47
TIE, CABLE(NATURAL)(2.4X92).....	FOP-8-6-37	WASHER, PLAIN, 12MM	E-6-16
T-JOINT	E-18-15	WASHER, PLAIN, 12MM	F-2-34
T-JOINT	F-9-3	WASHER, PLAIN, 12MM	F-3-20-15
TRIM METER ASSY	FOP-2-1	WASHER, PLAIN, 12MM	F-4-22
TRIM METER ASSY	FOP-2-1	WASHER, PLAIN, 12MM	F-8-11
TRIM-TILT ASSY., POWER	F-11-11	WASHER, PLAIN, 12MM	F-10-44
TUBE A, WATER RELIEF	E-4-10-4	WASHER, PLAIN, 12MM	F-10-45
TUBE B, AIR VENT	E-18-3	WASHER, PLAIN, 12MM	F-10-46
TUBE B, FUEL	E-18-11	WASHER, PLAIN, 4MM	FOP-8-6-55
TUBE B, WATER RELIEF	E-4-10-5	WASHER, PLAIN, 5MM	FOP-6-1-18
TUBE COMP. A, FUEL(FKM)	E-18-1-6	WASHER, PLAIN, 5MM	FOP-8-31
TUBE COMP. B, FUEL	E-18-7	WASHER, PLAIN, 5MM	FOP-8-33
TUBE COMP. C, AIR VENT.....	E-18-2	WASHER, PLAIN, 5MM	FOP-8-2-36
TUBE COMP. C, FUEL	E-18-1-7	WASHER, PLAIN, 5MM	FOP-8-2-38
TUBE COMP. E, FUEL	E-18-1-9	WASHER, PLAIN, 5MM	FOP-8-6-56
TUBE COMP. E, WATER	E-4-10-7	WASHER, PLAIN, 5MM	FOP-8-6-57
TUBE COMP., AIR VENT.....	E-18-4	WASHER, PLAIN, 6MM	F-2-36
TUBE COMP., WATER RELIEF.....	E-4-10-3	WASHER, PLAIN, 6MM	F-8-10
TUBE D, FUEL.....	E-18-8	WASHER, PLAIN, 6MM	FOP-8-4-27
TUBE D, FUEL.....	E-18-1-8	WASHER, PLAIN, 6MM	FOP-8-6-58
TUBE F, FUEL	E-18-10-39	WASHER, PLAIN, 8MM	F-2-37
TUBE F, WATER	F-9-10	WASHER, PLAIN, 8MM	F-7-10-14
TUBE G, WATER	E-18-16	WASHER, PLAIN, 8MM	F-8-10-25
TUBE KIT, SPEED SENSOR.....	FOP-13-1	WASHER, PLAIN, 8MM	F-8-10-28
TUBE, 12X740	E-15-25	WASHER, PLAIN, 8MM	FOP-8-6-60
TUBE, 5X140.....	F-3-22	WASHER, PROPELLER	F-5-16
TUBE, 5X270.....	F-3-22	WASHER, PROPELLER	F-5-1-17
TUBE, 5X950.....	FOP-13-13	WASHER, PROPELLER THRUST.....	F-5-14
TUBE, 7X120.....	E-4-10-14	WASHER, PROPELLER THRUST.....	F-5-1-15
TUBE, 7X160.....	F-9-38	WASHER, SEALING(22MM)	E-3-7
TUBE, 7X200.....	F-9-39	WASHER, SEALING, 28MM.....	E-3-31
TUBE, 7X40.....	F-9-37	WASHER, SEALING, 6MM.....	E-18-10-49
TUBE, 7X75.....	E-4-10-12	WASHER, SHIFT SHAFT.....	F-2-33
TUBE, 7X90.....	E-4-10-13	WASHER, SPRING, 4MM.....	FOP-12-9
TUBE, FUEL, 3.5X430.....	E-18-31	WASHER, SPRING, 5MM	FOP-6-1-19
TUBE, FUEL, 8X300.....	F-9-36	WASHER, THRUST.....	E-7-10
TUBE, OIL.....	E-4-10-1	WASHER, THRUST.....	E-9-17
TUBE, PRESSURE		WASHER, THRUST BEARING	F-5-15
REGULATOR CONTROL.....	E-14-7	WASHER, THRUST BEARING	F-5-1-16
TUBE, SPEED SENSOR	FOP-13-6	WASHER, THRUST, 34MM	F-10-41
TUBE, SPIRAL	F-11-3	WASHER, WAVE, 10MM	F-8-10-27
TUBE, SPIRAL	FOP-13-4	WASHER, WAVE, 26MM	F-10-40
TUBE, VINYL, 4X7X160	E-15-24	WASHER, WAVE, 40MM	F-10-39
TUBE, WATER RELIEF	F-9-9	WASHER, WAVE, 8MM	F-8-10-30
TUBE, WATER(L)	F-4-7	WHEEL, ACCELERATOR.....	FOP-8-6-20
TUBE, WATER(XL)	F-4-7	WHEEL, CONTROL	FOP-8-6-13
<V>		WIRE, LEAD(1.5X116MM).....	F-11-9
VALVE ASSY., ELECTRONIC		WIRE, LEAD(1.5X137MM).....	F-3-20-3
AIR CONTROL	E-14-17	WRENCH, EYE, 19MM	F-13-11
VALVE ASSY., RELIEF	F-9-16	WRENCH, HEX., 6MM	F-13-6
VALVE COMP., MANUAL.....	F-11-23	WRENCH, PLUG.....	F-13-5
VALVE COMP., RESERVOIR.....	F-11-24	<Y>	
VALVE SET, FLOAT	E-18-10-1	YOKE ASSY.....	F-11-7
VALVE, CHECK.....	E-18-17	YOKE COMP.....	E-21-4
VALVE, EX.....	E-9-19		
VALVE, FLASH	F-9-17		
VALVE, IN.....	E-9-18		
VALVE, RELIEF	E-5-5		
<W>			
WASHER	F-2-35		
WASHER KIT, THRUST(150)	E-7-21		
WASHER, 10MM	F-10-42		
WASHER, 26MM	F-3-20-14		
WASHER, 28MM	FOP-8-6-61		
WASHER, 6MM	FOP-8-6-59		
WASHER, DRAIN PLUG, 12MM.....	E-6-17		
WASHER, DRAIN PLUG, 20MM.....	E-5-24		
WASHER, DRAIN PLUG, 20MM.....	E-9-20-24		
WASHER, HEAD COVER	E-1-7		
WASHER, LOCK, 5MM	FOP-8-30		
WASHER, LOCK, 5MM	FOP-8-2-35		
WASHER, LOCK, 5MM	FOP-8-4-26		
WASHER, LOCK, 6MM	FOP-8-32		
WASHER, LOCK, 6MM	FOP-8-2-37		
WASHER, PIVOT	F-2-7		
WASHER, PIVOT	F-4-1		
WASHER, PLAIN	E-18-10-24		
WASHER, PLAIN	E-18-10-25		
WASHER, PLAIN, 10MM	F-5-18		

INDEX (Parts Number)

332-70201-0	F-6-8	HCO-94301-10160	E-6-20	HMM4-90105-000	FOP-8-6-50	HPNA-90011-003	E-9-20-16
3C7-70217-0	F-6-5	HCO-94301-10160	E-9-20-25	HMM8-90501-610	F-8-10-25	HPNA-90031-004	E-10-11
3C7-70220-1	F-6-2	HCO-94301-12160	E-10-14	HMM8-90502-610	F-8-10-26	HPNA-90032-000	E-9-28
3C7-70224-1	F-6-3	HCO-94301-14200	E-5-26	HMN5-17195-000	F-9-3	HPNA-90042-003	E-9-29
3FF-70200-4	F-6-1	HCO-94301-14200	E-6-21	HMR5-16966-000	E-18-1-18	HPNA-90703-300	E-9-32
3GF-70211-1	F-6-4	HCO-94301-14200	E-9-20-26	HMT8-18334-770	FOP-6-1-2	HPNA-90704-000	E-7-16
3GF-70240-1	F-6-7	HCO-94305-25203	F-10-55	HMV1-16959-000	E-4-10-2	HPNA-90715-000	E-3-34
3GF-70241-1	F-6-6	HCO-94510-14000	F-5-28	HMV5-91005-601	F-5-20	HPNA-91214-014	E-3-35
3PU-72537-0	FOP-2-3	HCO-94510-14000	F-5-1-30	HMV5-91005-601	F-5-1-22	HPNA-91302-003	E-14-34
3PU-72571-0	FOP-2-1	HCO-94540-03029	FOP-8-6-77	HMZ5-16952-000	E-18-11	HPNA-91302-004	E-9-10-23
3PU-72637-0	FOP-2-2	HCO-94540-04029	F-2-49	HP01-91212-003	E-5-21	HPNA-91307-003	E-3-38
3PV-72571-0	FOP-2-1	HCO-94540-04029	FOP-8-6-78	HP0X-91321-003	F-2-46	HPNA-91307-003	E-4-16
3PV-72637-0	FOP-2-2	HCO-94540-06029	F-2-50	HP2A-37881-000	E-15-14	HPNA-91307-003	E-9-10-26
H121-51640-730	E-14-19	HCO-94540-06029	F-8-10-29	HP5A-13115-000	E-7-4	HPNA-91333-003	E-9-10-27
H341-38403-672	FOP-6-1-12	HCO-94540-06029	FOP-8-36	HP64-31141-003	E-19-6	HPNA-91333-003	E-9-20-23
H341-38403-672	FOP-8-6-45	HCO-94540-06029	FOP-8-2-41	HP8A-13204-A01	E-7-5	HPNB-37500-003	E-9-10-13
H460-89221-840	F-13-6	HCO-94540-06029	FOP-8-4-28	HPA9-91317-003	E-18-26	HPNB-37510-003	E-9-20-13
H538-89102-000	F-13-1	HCO-94540-07029	FOP-8-6-79	HPC6-15233-000	E-5-7	HPNC-91212-004	E-9-10-22
H538-89103-000	F-13-2	HCO-94540-10019	F-4-35	HPC6-90715-000	E-3-33	HPNE-14631-000	E-9-15
H723-90472-000	F-4-22	HCO-94540-12029	F-2-51	HPC6-91324-000	E-6-18	HPP4-90009-E01	E-18-10-44
H750-90628-000	FOP-13-12	HCO-94540-15029	F-11-47	HPCX-12342-004	E-1-3	HPPA-13210-000	E-7-6
H759-16911-003	E-18-9	HCO-95001-35430-40	E-18-31	HPCX-90017-013	E-7-15	HPPA-13310-000	E-7-8
H763-75538-C01	F-2-26	HCO-95001-80300-40	F-9-36	HPD1-31138-004	E-19-5	HPPA-14520-003	E-9-10
H763-90681-A01	F-10-49	HCO-95003-07016-31	E-15-24	HPD1-31142-004	E-19-7	HPPA-14530-003	E-9-11
H800-91303-000	F-9-34	HCO-95005-12740-20	E-15-25	HPD1-31148-004	E-19-11	HPR3-91319-003	E-3-39
H805-91301-000	E-3-36	HCO-95005-50140-30	F-3-22	HPD1-90231-014	E-19-30	HPR4-11106-013	E-3-3
H881-90105-000	F-4-17	HCO-95005-50270-30	F-3-22	HPD6-90430-003	E-18-10-49	HPR4-90401-000	E-3-31
H881-90110-000	F-10-30	HCO-95005-50950-30	FOP-13-13	HPE0-15231-000	E-5-5	HPRA-15290-000	E-3-10
H921-15611-000	E-3-12	HCO-95005-70040-30	F-9-37	HPE0-90703-000	E-3-32	HPRB-14721-A00	E-9-19
H921-17936-000	F-2-7	HCO-95005-70075-30	E-4-10-12	HPE9-31145-941	E-19-8	HPRB-15280-A00	E-3-9
H921-17936-000	F-4-1	HCO-95005-70090-30	E-4-10-13	HPE9-31152-942	E-19-13	HPSA-36454-003	E-14-16
H921-90302-000	F-8-20-17	HCO-95005-70120-30	E-4-10-14	HPFB-30522-007	E-20-2	HPT0-14744-004	E-9-21
H921-90302-000	FOP-6-1-16	HCO-95005-70160-30	F-9-38	HPG6-15232-000	E-5-6	HPT0-14775-000	E-9-25
H921-90302-000	FOP-8-6-53	HCO-95005-70200-30	F-9-39	HPGK-37835-A01	E-15-12	HPT0-31147-003	E-19-10
H921-90504-010	F-8-10	HCO-95011-62000	F-8-20-23	HPH1-90015-013	E-5-16	HPT0-90206-004	E-9-31
H921-90504-010	FOP-8-6-58	HCO-95701-06014-08	E-9-20-30	HPH3-90011-000	E-5-15	HPT2-91005-N01	F-5-21
H921-90511-000	F-10-43	HCO-95701-06014-08	E-10-15	HPJ7-31111-013	E-19-3	HPT2-91005-N01	F-5-1-23
H921-90512-010	FOP-8-6-59	HCO-95701-06018-09	E-6-22	HPJ7-31114-013	E-19-4	HPY3-17249-000	E-15-3
H921-90518-000	F-2-37	HCO-95701-06020-08	E-9-34	HPJ7-31146-003	E-19-9	HPY3-31215-004	E-21-3
H921-90518-000	F-8-10-28	HCO-95701-06020-08	E-9-20-27	HPJ7-91309-010	F-9-35	HPY3-31218-004	E-21-6
H921-90518-000	FOP-8-6-60	HCO-95701-06030-08	E-9-35	HPK1-32742-003	F-7-30-3	HPZ1-12210-003	E-9-20-4
H921-90602-000	FOP-13-11	HCO-95701-06032-08	E-9-20-28	HPK2-91307-005	E-9-10-25	HPZ1-12210-004	E-9-20-4
H952-32901-770	FOP-6-12	HCO-95701-08032-08	E-5-27	HPLC-37880-004	E-15-13	HPZ1-12211-003	E-9-20-5
H952-32901-770	FOP-8-6-37	HCO-95701-08050-08	E-10-16	HPLC-91301-000	E-14-33	HPZ1-12211-004	E-9-20-5
HCO-92101-04020-4J	FOP-12-7	HCO-95701-08075-08	E-10-17	HPM3-90206-004	E-9-30	HPZ1-31105-003	E-19-2
HCO-92101-05016-4J	FOP-8-6-68	HCO-95701-08090-08	E-9-20-29	HPNA-11106-300	E-3-2	HPZ1-31149-003	E-19-12
HCO-92101-06050-4J	F-3-20	HCO-95701-10105-08	E-10-18	HPNA-11135-000	E-3-4	HPZ1-31153-003	E-19-14
HCO-93500-05010-4J	FOP-8-6-69	HCO-95701-10110-09	E-6-23	HPNA-12204-305	E-9-20-2	HR40-13210-A00	E-7-6
HCO-93500-05065-4J	FOP-8-34	HCO-95801-08035-09	F-10-56	HPNA-12205-305	E-9-20-3	HR40-13310-A00	E-7-8
HCO-93500-05065-4J	FOP-8-2-39	HCO-96211-07000	F-5-29	HPNA-12341-000	E-1-2	HR40-14401-A01	E-9-7
HCO-93500-06018-4J	E-4-18	HCO-96211-07000	F-5-1-31	HPNA-13111-010	E-7-3	HR40-14633-A00	E-9-16
HCO-93500-06025-4J	F-8-20-22	HCO-96211-09000	F-5-30	HPNA-13321-003	E-7-9	HR40-15115-A01	E-10-8
HCO-93600-06016-0A	E-5-23	HCO-96211-09000	F-5-1-32	HPNA-13322-003	E-7-9	HRAA-13620-A02	E-7-12
HCO-93700-05050-4J	F-3-21	HCO-96220-50080	E-5-28	HPNA-13323-003	E-7-9	HRAA-14620-A00	E-9-13
HCO-93901-250J0	FOP-8-6-70	HCO-96300-06025-00	E-10-19	HPNA-13324-003	E-7-9	HRAA-14624-A00	E-9-14
HCO-93901-251J0	FOP-8-6-71	HCO-96300-06032-00	E-10-20	HPNA-13325-003	E-7-9	HRAA-14647-A00	E-9-17
HCO-93901-252J0	FOP-8-6-72	HCO-9807B-5615P	E-20-4	HPNA-13326-003	E-7-9	HRAA-14765-A00	E-9-24
HCO-93903-254G0	E-13-9	HCO-9807B-5615W	E-20-4	HPNA-13341-003	E-7-11	HRAA-15815-A02	E-9-20-7
HCO-93903-262J0	FOP-8-6-73	HCO-9807B-5617P	E-20-4	HPNA-13342-003	E-7-11	HRAA-15845-A01	E-9-20-11
HCO-93905-255J0	FOP-8-6-74	HCO-9807B-5617W	E-20-4	HPNA-13343-003	E-7-11	HRAD-13410-010	E-10-2
HCO-93913-142J0	F-8-13	HCO-98200-41000	F-7-20-10	HPNA-13344-003	E-7-11	HRAD-13420-010	E-10-3
HCO-94001-04490-0S	FOP-12-8	HCO-98200-41500	F-7-20-11	HPNA-13345-003	E-7-11	HRBB-13204-004	E-7-5
HCO-94001-05490-0S	F-2-48	HCO-98200-43000	F-7-20-12	HPNA-13346-003	E-7-11	HRGM-14781-A01	E-9-26
HCO-94001-05490-0S	FOP-8-35	HCO-99006-19000	F-13-11	HPNA-13432-000	E-10-4	HRNA-37260-A01	E-3-17
HCO-94001-05490-0S	FOP-8-2-40	HCO-99008-02300	F-13-12	HPNA-13441-004	E-10-5	HRNA-37830-A01	E-15-11
HCO-94001-06080-0S	E-19-31	HGE1-17357-70	FOP-13-2	HPNA-13450-004	E-10-6	HRRR-30520-007	E-20-1
HCO-94001-06490-0S	FOP-8-6-75	HGEV-90650-003	E-14-30	HPNA-13460-004	E-10-7	HRTA-15400-004	E-5-10
HCO-94001-06490-0S	FOP-9-5	HGHB-16163-610	E-18-1	HPNA-13622-003	E-7-13	HRWC-14540-A02	E-9-12
HCO-94001-12490-0S	F-10-54	HGHB-16163-610	F-9-2	HPNA-14114-003	E-9-2	H50A-91541-003	E-3-40
HCO-94002-05490-0S	FOP-8-6-76	HHC4-90653-900	F-8-20-19	HPNA-14115-000	E-9-3	H50A-91541-003	E-9-10-35
HCO-94002-06490-0S	F-8-14	HHN0-91305-A00	E-4-15	HPNA-14210-000	E-9-5	H50A-91541-003	F-7-6
HCO-94103-05400	FOP-6-1-18	HKJ2-90683-003	F-8-20-20	HPNA-14511-003	E-9-9	H50A-91541-003	F-7-10-16
HCO-94109-20000	E-5-24	HKM3-32161-003	F-3-2	HPNA-14711-000	E-9-18	HS40-90683-003	E-18-1-22
HCO-94109-20000	E-9-20-24	HKM3-32161-003	FOP-13-3	HPNA-14744-004	E-9-20	HSB2-90687-003	E-14-31
HCO-94111-04500	FOP-12-9	HKV7-17368-671	E-18-13	HPNA-14762-003	E-9-23	HSB2-90687-003	F-7-10-15
HCO-94111-05400	FOP-6-1-19	HMB0-91359-000	F-4-33	HPNA-17055-004	E-14-11	HSB6-91475-000	FOP-8-6-65
HCO-94301-06100	E-6-19	HMG9-35701-950	F-8-10-1	HPNA-90003-000	E-9-27	H5C2-90649-003	FOP-6-1-17
HCO-94301-08100	E-10-13	HMG9-35701-950	FOP-8-6-40	HPNA-90004-000	E-10-9	HSDA-39794-004	F-7-20-5
HCO-94301-10120	E-7-17	HMJ0-91301-003	E-14-32	HPNA-90005-003	E-9-20-15	H5E0-53740-953	E-18-18
HCO-94301-10160	E-5-25	HMJ0-91301-003	E-18-10-51	HPNA-90006-003	E-3-21	H5E0-91547-003	E-18-27

HSF1-91595-003E-15-23	HZV5-36180-033FOP-6-41	HZW1-41109-B00F-3-9	HZW4-90170-000E-4-11
HSH3-91599-A32E-18-30	HZV5-38410-003FOP-6-1-13	HZW1-41116-B00F-4-14	HZW4-90306-003F-10-37
HSM4-32134-003F-7-30-2	HZV5-38410-003FOP-8-6-46	HZW1-50111-010ZCF-3-20-4	HZW4-90401-000FOP-8-6-55
HSM4-91558-003E-18-29	HZV5-40102-000E-13-4	HZW1-50156-010F-3-20-6	HZW4-90402-000FOP-8-6-56
HSP0-91546-A01E-9-10-28	HZV5-40102-000E-15-15	HZW1-50161-020ZCF-3-20-7	HZW4-91301-003F-3-19
HSP0-91546-A01E-13-7	HZV5-41171-000F-3-10	HZW1-50201-040ZCF-10-9	HZW5-06241-U00FOP-8-2
HSTK-91540-003FOP-11-6	HZV5-41171-000FOP-13-5	HZW1-50214-000F-10-11	HZW5-06241-U10FOP-8-2-2
HSV1-91549-L01F-2-47	HZV5-41172-000F-3-11	HZW1-50301-070ZCF-10-12	HZW5-06900-U00FOP-9-1
HSV4-91540-003E-4-17	HZV5-50214-003F-11-10	HZW1-50311-070ZCF-10-13	HZW5-15113-000E-6-3
HSZ5-91531-003E-13-6	HZV5-50522-000F-10-16	HZW1-50527-000F-10-17	HZW5-15331-003E-5-8
HVD6-91360-003E-5-22	HZV5-56117-821F-11-18	HZW1-50529-000F-10-18	HZW5-15341-003E-5-9
HVMO-16965-771E-18-12	HZV5-56118-820F-11-19	HZW1-53234-010F-10-19	HZW5-16081-010E-18-10-20
HVMO-16965-771F-7-30-1	HZV5-56513-000F-11-25	HZW1-53238-010F-10-21	HZW5-16086-000E-18-10-23
HVMO-46391-003F-2-24	HZV5-90081-010E-3-26	HZW1-56110-701F-11-13	HZW5-16087-000E-18-10-24
HZB5-90626-730F-8-20-18	HZV5-90081-010E-5-19	HZW1-56113-701F-11-14	HZW5-16708-003E-18-10-28
HZCO-63515-700F-8-10-21	HZV5-90119-000F-3-20-12	HZW1-56116-701F-11-17	HZW5-16715-023E-18-10-29
HZE2-16731-003E-18-1-1	HZV5-90119-000F-11-33	HZW1-56130-702F-11-22	HZW5-16733-000E-18-10-34
HZE2-90601-000E-6-17	HZV5-90119-000FOP-13-9	HZW1-56180-701F-11-24	HZW5-16915-000E-18-10
HZV0-90604-000E-18-24	HZV5-90125-000FOP-8-6-52	HZW1-56516-000F-10-22	HZW5-24810-U01FOP-8-3
HZV0-90604-000E-18-1-21	HZV5-90127-003F-8-20-15	HZW1-56532-000F-11-26	HZW5-24810-U01FOP-8-2-3
HZV0-90604-000F-9-30	HZV5-90127-003FOP-13-10	HZW1-56539-000F-10-23	HZW5-24810-U11FOP-8-2-4
HZV1-24210-010F-10-2	HZV5-90131-000E-6-15	HZW1-56851-703F-11-27	HZW5-24811-U01FOP-8-4
HZV1-87538-C23F-12-8	HZV5-90302-003F-2-32	HZW1-56860-701F-11-28	HZW5-24811-U01FOP-8-2-5
HZV1-90127-010E-15-20	HZV5-90304-013F-10-34	HZW1-87538-721F-12-8	HZW5-24812-U01FOP-8-5
HZV3-90601-030E-15-21	HZV5-90307-003F-10-38	HZW1-90013-000E-13-5	HZW5-24812-U01FOP-8-2-6
HZV4-24221-010F-10-3	HZV5-90501-000F-10-39	HZW1-90013-000E-15-17	HZW5-24813-U01FOP-8-6
HZV4-36182-651FOP-6-1-9	HZV5-90502-000F-10-40	HZW1-90014-000E-14-20	HZW5-24813-U01FOP-8-2-7
HZV4-36182-651FOP-8-6-42	HZV5-90504-000F-10-41	HZW1-90014-000E-18-20	HZW5-24813-U21FOP-8-2-8
HZV4-36187-652FOP-6-1-10	HZV5-90552-000F-10-44	HZW1-90014-000E-18-10-45	HZW5-24814-U01FOP-8-7
HZV4-36187-652FOP-8-6-43	HZV5-90557-000FOP-8-6-61	HZW1-90102-000F-10-26	HZW5-24814-U01FOP-8-2-9
HZV4-90302-000F-3-17	HZV5-90559-000E-6-16	HZW1-90105-000F-10-27	HZW5-24815-U01FOP-8-8
HZV4-90304-000FOP-8-6-54	HZV5-90559-000F-10-45	HZW1-90106-004E-21-19	HZW5-24816-U01FOP-8-9
HZV4-90502-000FOP-8-31	HZV5-90559-000F-10-46	HZW1-90107-004E-21-20	HZW5-24816-U01FOP-8-2-10
HZV4-90502-000FOP-8-2-36	HZV5-90563-000F-5-18	HZW1-90108-000F-10-29	HZW5-24816-U01FOP-8-4-8
HZV4-90502-000FOP-8-6-57	HZV5-90563-000F-5-1-20	HZW1-90113-702F-11-29	HZW5-24817-U01FOP-8-10
HZV4-90512-000F-2-36	HZV5-90563-000F-10-47	HZW1-90114-702F-11-30	HZW5-24817-U01FOP-8-2-11
HZV4-90514-000F-10-42	HZV5-90651-000F-10-48	HZW1-90115-702F-11-31	HZW5-24818-U01FOP-8-11
HZV5-12155-000E-4-1	HZV5-90751-000FOP-8-6-62	HZW1-90116-702F-11-32	HZW5-24818-U01FOP-8-2-12
HZV5-12214-000E-3-7	HZV5-90756-000F-3-18	HZW1-90203-000F-7-10-13	HZW5-24819-U01FOP-8-12
HZV5-16881-000E-18-8	HZV5-90756-000F-3-20-17	HZW1-90242-000F-4-20	HZW5-24819-U01FOP-8-2-13
HZV5-17202-310F-9-4	HZV5-90756-000F-4-25	HZW1-90301-B00F-5-13	HZW5-24820-U01FOP-8-13
HZV5-17838-000F-2-1	HZV5-90772-000FOP-8-6-63	HZW1-90301-B00F-5-1-14	HZW5-24820-U21FOP-8-2-14
HZV5-24811-010FOP-8-6-2	HZV5-91151-000FOP-8-6-64	HZW1-90304-013F-10-35	HZW5-24825-U01FOP-8-14
HZV5-24812-000FOP-8-6-3	HZV5-91203-821F-11-35	HZW1-90501-710F-3-20-14	HZW5-24825-U01FOP-8-2-15
HZV5-24813-000FOP-8-6-4	HZV5-91256-003F-10-51	HZW1-90518-B00F-4-23	HZW5-24826-U01FOP-8-15
HZV5-24814-010FOP-8-6-5	HZV5-91302-821F-11-37	HZW1-90519-B00F-4-23	HZW5-24826-U01FOP-8-2-16
HZV5-24815-010FOP-8-6-6	HZV5-91316-821F-11-38	HZW1-90520-B00F-4-23	HZW5-24826-U01FOP-8-4-10
HZV5-24816-000FOP-8-6-7	HZV5-91352-000F-10-52	HZW1-90521-B00F-4-23	HZW5-24831-U01FOP-8-16
HZV5-24817-000FOP-8-6-8	HZV5-91553-010E-13-8	HZW1-90559-000F-3-20-15	HZW5-24831-U01FOP-8-2-17
HZV5-24818-003FOP-8-6-9	HZV5-91553-010E-15-22	HZW1-90651-710F-3-20-16	HZW5-24831-U01FOP-8-4-12
HZV5-24820-010FOP-8-6-10	HZV5-91553-010E-20-10-6	HZW1-90652-702F-11-34	HZW5-24832-U01FOP-8-17
HZV5-24830-010FOP-8-6-11	HZV5-91553-010F-7-10-17	HZW1-90752-B02F-4-24	HZW5-24832-U01FOP-8-2-18
HZV5-24836-000FOP-8-6-12	HZV5-91560-000F-10-53	HZW1-90752-B02FOP-10-4	HZW5-24832-U01FOP-8-4-13
HZV5-24841-000FOP-8-6-13	HZV5-91567-000FOP-8-6-66	HZW1-90752-B02FOP-10-1-9	HZW5-24834-U01FOP-8-18
HZV5-24845-000FOP-8-6-14	HZV5-91570-000FOP-8-6-67	HZW1-90758-B00F-5-19	HZW5-24834-U21FOP-8-2-19
HZV5-24850-000FOP-8-6-15	HZV7-90508-000F-2-35	HZW1-90758-B00F-5-1-21	HZW5-31217-003E-21-5
HZV5-24854-000FOP-8-6-16	HZV7-90951-010F-10-50	HZW1-91054-B31F-4-27	HZW5-31631-003E-19-16
HZV5-24855-000FOP-8-6-17	HZW1-06411-020F-10-1	HZW1-91101-003F-5-25	HZW5-31639-003E-19-19
HZV5-24860-000FOP-8-6-18	HZW1-12217-010E-5-1	HZW1-91101-003F-5-1-27	HZW5-31644-003E-19-20
HZV5-24865-000FOP-8-6-19	HZW1-15665-020F-9-1	HZW1-91207-013F-11-36	HZW5-31710-003E-19-21
HZV5-24875-000FOP-8-6-20	HZW1-19210-B04F-4-2	HZW1-91352-702F-11-39	HZW5-32168-003E-18-10-43
HZV5-24876-000FOP-8-6-21	HZW1-19210-B04FOP-10-2	HZW1-91353-703F-11-40	HZW5-35370-U02FOP-8-20
HZV5-24878-000FOP-8-6-22	HZW1-19210-B04FOP-10-1-2	HZW1-91354-701F-11-41	HZW5-35370-U02FOP-8-2-22
HZV5-24881-000FOP-8-6-23	HZW1-19223-B00F-4-4	HZW1-91355-701F-11-42	HZW5-35370-U12FOP-8-2-23
HZV5-24883-000FOP-8-6-24	HZW1-19223-B00FOP-10-1-4	HZW1-91356-B00F-4-32	HZW5-35673-003E-9-10-11
HZV5-24884-000FOP-8-6-25	HZW1-19252-000E-6-6	HZW1-91356-B00FOP-10-5	HZW5-50151-000F-10-6
HZV5-24885-000FOP-8-6-26	HZW1-19253-B01F-4-8	HZW1-91356-B00FOP-10-1-10	HZW5-50155-000F-3-20-5
HZV5-24887-000FOP-8-6-27	HZW1-19253-B01FOP-10-1-7	HZW1-91357-701F-11-43	HZW5-50341-010F-10-14
HZV5-24891-000FOP-8-6-28	HZW1-19286-B00F-3-1	HZW1-91358-701F-11-44	HZW5-53234-010F-10-20
HZV5-24892-000FOP-8-6-29	HZW1-24102-B00F-5-2	HZW1-91361-701F-11-45	HZW5-90002-013E-5-14
HZV5-24894-000FOP-8-6-30	HZW1-24102-B00F-5-1-2	HZW1-91554-000E-14-35	HZW5-90011-010E-19-23
HZV5-24895-000FOP-8-6-31	HZW1-24103-B00F-5-3	HZW1-91554-000E-18-28	HZW5-90018-000E-5-18
HZV5-24897-000FOP-8-6-32	HZW1-24103-B00F-5-1-3	HZW1-91554-000E-18-10-52	HZW5-90018-000E-9-20-19
HZV5-24898-000FOP-8-6-33	HZW1-24327-000F-2-11	HZW1-91557-701F-11-46	HZW5-90018-000E-20-10-5
HZV5-32823-003FOP-6-1-5	HZW1-31229-004E-21-8	HZW2-90003-000E-20-10-4	HZW5-90018-000F-7-20-8
HZV5-32823-003FOP-8-6-35	HZW1-31247-004E-21-15	HZW2-90301-F00E-14-29	HZW5-90021-U00FOP-9-2
HZV5-32823-003FOP-11-3	HZW1-31249-004E-21-16	HZW4-90108-000FOP-8-6-51	HZW5-90101-000F-10-25
HZV5-32824-003FOP-6-1-6	HZW1-31250-004E-21-17	HZW4-90126-000E-14-26	HZW5-90101-U00FOP-8-22
HZV5-32824-003FOP-8-6-36	HZW1-31261-004E-21-18	HZW4-90151-000E-14-27	HZW5-90101-U00FOP-8-2-25
HZV5-32824-003FOP-11-4	HZW1-38551-000F-7-10-8	HZW4-90156-000E-3-28	HZW5-90101-U00FOP-8-4-20
HZV5-35370-823FOP-8-6-39	HZW1-40107-700F-8-10-3	HZW4-90162-000E-3-29	HZW5-90102-U00FOP-8-23
HZV5-36104-821F-11-3	HZW1-40204-000F-4-12	HZW4-90162-000E-9-10-21	HZW5-90102-U00FOP-8-2-26
HZV5-36136-821F-11-8	HZW1-40210-710F-3-20-2	HZW4-90163-000E-19-28	HZW5-90103-U01FOP-8-24
HZV5-36180-033FOP-6-1-8	HZW1-41102-B00F-3-4	HZW4-90164-000E-21-21	HZW5-90103-U01FOP-8-2-27

HZW5-90104-U00	FOP-8-25	HZW9-90102-000	E-6-14	HZY3-40119-003.	F-8-10-4	HZY3-90530-000.	F-5-17
HZW5-90104-U00	FOP-8-2-28	HZW9-90102-000	F-2-30	HZY3-40219-013.	F-11-9	HZY3-90530-000.	F-5-1-18
HZW5-90105-U01	FOP-8-26	HZW9-90103-010	F-3-20-9	HZY3-50388-U00	FOP-7-1	HZY3-90531-000.	F-5-17
HZW5-90105-U01	FOP-8-2-29	HZW9-90105-000	F-2-31	HZY3-50388-U10	FOP-7-2	HZY3-90531-000.	F-5-1-18
HZW5-90106-U00	FOP-8-27	HZW9-90105-000	F-4-18	HZY3-56170-013.	F-11-23	HZY3-90601-030.	E-4-10-8
HZW5-90106-U00	FOP-8-2-30	HZW9-90105-000	F-10-28	HZY3-58130-T00.	F-5-11	HZY3-90601-030.	F-9-29
HZW5-90107-U00	FOP-8-28	HZW9-90154-000	F-10-32	HZY3-58130-T10.	F-5-11	HZY3-90602-020.	E-4-10-9
HZW5-90107-U00	FOP-8-2-31	HZW9-90506-000	F-8-10-27	HZY3-58130-T20.	F-5-11	HZY3-90653-003.	F-7-5
HZW5-90108-U00	FOP-8-2-32	HZX1-17110-003	E-14-14	HZY3-58130-T30.	F-5-11	HZY3-90751-000.	F-2-38
HZW5-90109-000	FOP-6-1-15	HZX1-32100-020	F-7-1	HZY3-58130-T40.	F-5-11	HZY3-91001-003.	F-2-42
HZW5-90203-010	E-19-29	HZX1-34750-023	E-20-10-3	HZY3-58130-T50.	F-5-11	HZY3-91152-003.	F-2-43
HZW5-90301-U00	FOP-8-29	HZX1-50100-000	F-10-5	HZY3-58130-V01ZA.	F-5-11	HZY3-91254-003.	F-4-30
HZW5-90301-U00	FOP-8-2-33	HZX1-63100-R00ZA.	F-8-1	HZY3-58130-V11ZA.	F-5-11	HZY3-91255-003.	F-2-45
HZW5-90302-003	F-3-20-13	HZX1-63100-R01ZA.	F-8-1	HZY3-58130-V21ZA.	F-5-11	HZY3-91303-000.	E-21-22
HZW5-90302-003	F-10-33	HZX1-87121-R00	F-12-2	HZY3-58130-V31ZA.	F-5-11	HZY3-91351-003.	F-5-27
HZW5-90302-U21	FOP-8-2-34	HZX1-87132-R00	F-12-3	HZY3-58130-V41ZA.	F-5-11	HZY3-91501-003.	F-5-1-29
HZW5-90303-000	F-4-21	HZX1-87133-R00	F-12-10	HZY3-58130-V51ZA.	F-5-11	HZY3-91556-000.	F-8-12
HZW5-90304-000	F-10-36	HZX1-90101-R00	F-8-7	HZY3-58180-T00.	F-5-1-12	HZY5-14110-000.	E-9-1
HZW5-90501-000	F-2-33	HZX2-41102-E00ZC.	F-3-5	HZY3-58180-T10.	F-5-1-12	HZY6-04104-010.	E-9-10-30
HZW5-90501-U00	FOP-8-30	HZX2-41107-C00ZC.	F-3-8	HZY3-58180-T20.	F-5-1-12	HZY6-04105-000.	E-7-21
HZW5-90501-U00	FOP-8-2-35	HZX2-90129-000	F-10-31	HZY3-58180-T30.	F-5-1-12	HZY6-06122-010ZA.	E-9-20-1
HZW5-90501-U00	FOP-8-4-26	HZX2-90502-003	F-8-10-30	HZY3-58180-T40.	F-5-1-12	HZY6-06191-000.	E-9-10-5
HZW5-90502-U00	FOP-8-32	HZY1-90205-000.	F-3-16	HZY3-63107-000.	F-8-3	HZY6-06192-000.	FOP-10-1
HZW5-90502-U00	FOP-8-2-37	HZY1-90650-003.	FOP-11-5	HZY3-63108-000.	F-8-4	HZY6-06193-A01	FOP-10-1-1
HZW5-90503-U00	FOP-8-33	HZY3-06177-U02	FOP-11-1	HZY3-63119-000.	F-8-5	HZY6-06411-000.	FOP-13-1
HZW5-90503-U00	FOP-8-2-38	HZY3-13391-000.	E-7-18	HZY3-63201-000ZC.	F-8-10-10	HZY6-06631-000.	F-8-15
HZW5-90509-711	F-5-15	HZY3-13398-003.	E-7-20	HZY3-63205-000.	F-2-25	HZY6-11100-405.	E-3-1
HZW5-90509-711	F-5-1-16	HZY3-16011-000.	E-18-10-1	HZY3-63205-000.	F-8-10-11	HZY6-11321-010ZB.	E-6-1
HZW5-90511-U00	FOP-9-3	HZY3-16013-000.	E-18-10-2	HZY3-63208-000.	F-8-10-13	HZY6-11381-010.	E-6-2
HZW5-90512-U00	FOP-9-4	HZY3-16024-000.	E-18-10-7	HZY3-63212-000.	F-8-10-14	HZY6-11410-425ZA.	E-9-10-1
HZW5-90548-710	F-5-1-19	HZY3-16026-000.	E-18-10-8	HZY3-63224-000.	F-8-10-17	HZY6-11412-000.	E-9-10-2
HZW5-90549-710	F-5-1-19	HZY3-16041-000.	E-18-10-10	HZY3-63260-000.	F-8-10-20	HZY6-11911-000.	E-3-5
HZW5-90550-710	F-5-1-19	HZY3-16042-000.	E-18-10-11	HZY3-63260-C00	F-8-10-20	HZY6-11912-000.	E-19-1
HZW5-90551-710	F-5-1-19	HZY3-16061-000.	E-18-10-12	HZY3-90016-000.	E-9-10-15	HZY6-12000-415ZA.	E-3-6
HZW5-90601-030	E-18-22	HZY3-16072-000.	E-18-10-13	HZY3-90017-000.	E-9-10-16	HZY6-12251-003.	E-9-20-6
HZW5-91056-003	F-5-24	HZY3-16073-000.	E-18-10-14	HZY3-90017-000.	E-9-20-18	HZY6-12310-010ZA.	E-1-1
HZW5-91056-003	F-5-1-26	HZY3-16074-000.	E-18-10-15	HZY3-90017-000.	E-18-10-47	HZY6-12500-000.	E-1-4
HZW5-91201-003	E-5-20	HZY3-16075-000.	E-18-10-16	HZY3-90017-000.	E-19-24	HZY6-13010-000.	E-7-1
HZW5-91202-003	F-9-33	HZY3-16076-000.	E-18-10-17	HZY3-90017-000.	F-2-27	HZY6-13101-000.	E-7-2
HZW5-91251-003	F-2-44	HZY3-16077-000.	E-18-10-18	HZY3-90017-000.	F-9-25	HZY6-13102-000.	E-7-2
HZW7-24810-U01	FOP-8-4-2	HZY3-16078-000.	E-18-10-19	HZY3-90021-000.	E-4-9	HZY6-13211-004.	E-7-7
HZW7-24811-U01	FOP-8-4-3	HZY3-16082-000.	E-18-10-21	HZY3-90021-000.	E-9-10-17	HZY6-13212-004.	E-7-7
HZW7-24812-U01	FOP-8-4-4	HZY3-16083-000.	E-18-10-22	HZY3-90021-000.	E-9-20-20	HZY6-13213-004.	E-7-7
HZW7-24813-U01	FOP-8-4-5	HZY3-16087-000.	E-18-10-25	HZY3-90021-000.	E-14-21	HZY6-13214-004.	E-7-7
HZW7-24814-U01	FOP-8-4-6	HZY3-16088-000.	E-18-10-26	HZY3-90021-000.	E-18-11-19	HZY6-13215-004.	E-7-7
HZW7-24815-U01	FOP-8-4-7	HZY3-16721-000.	E-18-10-31	HZY3-90021-000.	F-2-28	HZY6-13216-004.	E-7-7
HZW7-24817-U01	FOP-8-4-9	HZY3-16733-000.	E-18-10-35	HZY3-90026-000.	E-3-24	HZY6-13217-004.	E-7-7
HZW7-24830-U01	FOP-8-4-11	HZY3-16752-000.	E-14-8	HZY3-90026-000.	E-19-25	HZY6-13310-000.	E-7-8
HZW7-24832-U01	FOP-8-4-14	HZY3-16752-000.	E-18-10-38	HZY3-90028-000.	F-2-29	HZY6-13331-023.	E-7-10
HZW7-24833-U01	FOP-8-4-15	HZY3-16807-003.	E-18-1-4	HZY3-90030-000.	E-4-10	HZY6-13392-000.	E-7-19
HZW7-32530-U00	FOP-8-19	HZY3-16818-003.	E-18-1-5	HZY3-90030-000.	F-7-10-11	HZY6-13400-000.	E-10-1
HZW7-32530-U00	FOP-8-2-20	HZY3-16900-003.	E-18-1-10	HZY3-90030-000.	F-8-10-23	HZY6-13811-000.	E-7-14
HZW7-32530-U10	FOP-8-2-21	HZY3-16901-003.	E-18-1-11	HZY3-90030-000.	F-9-26	HZY6-14120-000.	E-9-4
HZW7-32530-U20	FOP-8-4-16	HZY3-16904-003.	E-18-1-12	HZY3-90035-000.	E-19-26	HZY6-14311-000.	E-9-6
HZW7-35370-U02	FOP-8-4-17	HZY3-16911-010.	E-18-10-40	HZY3-90040-000.	E-9-10-19	HZY6-14510-003.	E-9-8
HZW7-87701-U01	FOP-8-4-18	HZY3-16912-003.	E-18-1-13	HZY3-90042-000.	E-14-22	HZY6-14751-003.	E-9-22
HZW7-87703-U00	FOP-8-4-19	HZY3-16913-000.	E-18-10-41	HZY3-90046-000.	E-6-13	HZY6-15100-000ZA.	E-5-2
HZW7-90101-U01	FOP-8-4-21	HZY3-16915-010.	E-18-1-15	HZY3-90049-000.	E-18-10-48	HZY6-15112-000.	E-5-3
HZW7-90102-U01	FOP-8-4-22	HZY3-16918-003.	E-18-1-16	HZY3-90054-000.	E-3-25	HZY6-15121-000.	E-5-4
HZW7-90103-U01	FOP-8-4-23	HZY3-16919-003.	E-18-1-17	HZY3-90054-000.	E-14-25	HZY6-15152-000.	E-3-8
HZW7-90104-U01	FOP-8-4-24	HZY3-17748-U01	FOP-1-2	HZY3-90055-000.	E-19-27	HZY6-15220-010.	E-6-4
HZW7-90301-U01	FOP-8-4-25	HZY3-17749-U01	FOP-1-3	HZY3-90056-000.	E-15-19	HZY6-15299-000.	E-3-11
HZW7-90502-U00	FOP-8-4-27	HZY3-19270-000.	F-9-11	HZY3-90056-000.	F-9-28	HZY6-15410-010ZA.	E-5-11
HZW9-19279-000	F-9-15	HZY3-19271-000.	F-9-12	HZY3-90084-000.	E-1-5	HZY6-15425-010.	E-4-10-1
HZW9-19291-000	F-9-17	HZY3-19272-000.	F-9-13	HZY3-90084-000.	E-20-3	HZY6-15655-000.	E-6-5
HZW9-19297-000	F-9-19	HZY3-19300-023.	E-9-10-3	HZY3-90107-000.	F-7-10-12	HZY6-15834-000.	E-9-20-9
HZW9-19303-003	E-9-10-29	HZY3-23173-010.	F-9-22	HZY3-90109-010.	F-8-8	HZY6-15840-000ZA.	E-9-20-10
HZW9-19317-000	F-9-20	HZY3-24318-000.	F-4-10	HZY3-90111-000.	F-8-20-14	HZY6-16014-003.	E-18-10-3
HZW9-32114-730	E-3-14	HZY3-24618-000.	F-2-15	HZY3-90120-000.	F-3-14	HZY6-16016-003.	E-15-1
HZW9-87702-800	FOP-8-6-48	HZY3-24619-000.	F-2-17	HZY3-90133-000.	F-8-9	HZY6-16017-043.	E-18-10-4
HZW9-90008-000	FOP-8-6-49	HZY3-30280-003.	F-11-1	HZY3-90204-000.	E-3-30	HZY6-16019-003.	E-18-10-5
HZW9-90009-000	F-10-24	HZY3-31106-003.	F-11-2	HZY3-90205-000.	E-14-28	HZY6-16020-023.	E-18-10-6
HZW9-90011-000	E-3-22	HZY3-31116-000.	E-5-13	HZY3-90304-000.	F-7-4	HZY6-16036-003.	E-18-10-9
HZW9-90011-000	E-9-10-14	HZY3-31207-003.	E-21-2	HZY3-90305-000.	F-7-10-14	HZY6-16089-000.	E-14-1
HZW9-90011-000	F-7-10-9	HZY3-31246-003.	E-21-14	HZY3-90506-000.	F-5-14	HZY6-16196-000.	E-18-2
HZW9-90013-000	F-7-3	HZY3-32128-000.	E-15-10	HZY3-90506-000.	F-5-1-15	HZY6-16198-000.	E-18-3
HZW9-90013-000	F-7-10-10	HZY3-32411-003.	F-7-10-3	HZY3-90507-000.	F-2-34	HZY6-16199-000.	E-18-4
HZW9-90013-000	F-7-20-7	HZY3-35470-023.	F-2-22	HZY3-90507-000.	F-8-11	HZY6-16400-013.	E-15-2
HZW9-90016-000	E-3-23	HZY3-35645-000.	F-8-20-3	HZY3-90512-000.	F-5-16	HZY6-16450-003.	E-14-2
HZW9-90016-000	E-5-17	HZY3-35673-003.	E-3-16	HZY3-90512-000.	F-5-1-17	HZY6-16451-000.	E-14-3
HZW9-90016-000	E-18-21	HZY3-35673-003.	E-4-7	HZY3-90528-000.	F-5-17	HZY6-16621-000.	E-14-4
HZW9-90016-000	E-18-10-46	HZY3-35673-003.	E-9-10-12	HZY3-90528-000.	F-5-1-18	HZY6-16700-013.	E-18-5
HZW9-90016-000	F-9-24	HZY3-36122-013.	F-11-5	HZY3-90529-000.	F-5-17	HZY6-16701-003.	E-18-10-27
HZW9-90101-003	F-3-12	HZY3-36123-013.	F-11-6	HZY3-90529-000.	F-5-1-18	HZY6-16718-013.	E-18-10-30

HZY6-16723-003.	E-18-10-32	HZY6-24343-000.	F-4-11	HZY6-41112-010.	F-4-13	HZY6-90755-003.	F-2-41
HZY6-16730-063.	E-18-10-33	HZY6-24343-010.	F-4-11	HZY6-41112-611.	F-4-13	HZY6-91051-003.	F-5-22
HZY6-16734-003.	E-18-10-36	HZY6-24343-010.	F-4-11	HZY6-41131-000.	F-4-16	HZY6-91051-003.	F-5-1-24
HZY6-16736-003.	E-18-10-37	HZY6-24610-000.	F-2-12	HZY6-41140-000.	F-5-7	HZY6-91052-003.	F-4-26
HZY6-16740-003.	E-14-5	HZY6-24612-020.	F-2-13	HZY6-41141-710.	F-5-1-7	HZY6-91055-004.	F-5-23
HZY6-16744-010.	E-14-6	HZY6-24614-000.	F-2-14	HZY6-41150-710.	F-5-1-8	HZY6-91055-004.	F-5-1-25
HZY6-16748-000.	E-14-7	HZY6-24618-000.	F-2-16	HZY6-41151-000.	F-5-8	HZY6-91251-003.	F-4-28
HZY6-16752-000.	E-14-9	HZY6-24620-000.	F-2-18	HZY6-41161-000.	F-5-9	HZY6-91301-003.	E-4-13
HZY6-16755-003.	E-18-6	HZY6-24628-000.	F-2-19	HZY6-41161-710.	F-5-1-9	HZY6-91302-003.	E-4-14
HZY6-16800-003.	E-18-1-2	HZY6-24629-000ZA.	F-2-20	HZY6-41173-000.	FOP-13-6	HZY6-91303-003.	E-9-20-22
HZY6-16805-003.	E-18-1-3	HZY6-30410-000.	E-20-10-1	HZY6-41201-000ZC.	F-5-10	HZY6-91304-010.	E-9-10-24
HZY6-16840-A00.	E-18-10-39	HZY6-30530-003.	E-3-13	HZY6-41201-710ZC.	F-5-1-10	HZY6-91305-003.	E-3-37
HZY6-16850-A01.	E-18-1-6	HZY6-31110-000ZA.	E-5-12	HZY6-41202-710.	F-5-1-11	HZY6-91351-003.	F-4-31
HZY6-16860-A00.	E-18-7	HZY6-31200-003.	E-21-1	HZY6-50167-000.	F-10-7	HZY6-91502-003.	E-9-33
HZY6-16871-A00.	E-18-1-7	HZY6-31216-003.	E-21-4	HZY6-50168-003.	F-10-8	HZY6-91552-000.	F-4-34
HZY6-16881-A00.	E-18-1-8	HZY6-31226-003.	E-21-7	HZY6-50209-000.	FOP-13-7	HZY6-91552-000.	FOP-10-1-11
HZY6-16890-A00.	E-18-1-9	HZY6-31227-003.	E-21-7	HZY6-56000-043.	F-11-11	HZY6-91553-000.	F-8-20-21
HZY6-16914-010.	E-18-1-14	HZY6-31231-003.	E-21-9	HZY6-56100-013.	F-11-12	HZY9-15815-000.	E-9-20-8
HZY6-17051-000ZA.	E-14-10	HZY6-31232-003.	E-21-9	HZY6-56118-000.	FOP-13-8	HZY9-17315-000.	E-15-4
HZY6-17105-000.	E-14-12	HZY6-31235-003.	E-21-10	HZY6-60180-003.	F-8-10-8	HZY9-30419-003.	E-20-10-2
HZY6-17109-000.	E-14-13	HZY6-31236-003.	E-21-11	HZY6-60185-003.	F-8-10-9	HZY9-31207-H01.	E-21-2
HZY6-17371-020.	E-15-5	HZY6-31240-003.	E-21-12	HZY6-63102-010.	F-8-2	HZY9-31226-H01.	E-21-19
HZY6-17374-000.	E-15-6	HZY6-31242-003.	E-21-13	HZY6-63144-000.	F-8-6	HZY9-31229-H01.	E-21-8
HZY6-17397-013.	E-15-7	HZY6-31630-003.	E-19-15	HZY6-63205-000.	F-8-10-12	HZY9-31240-003.	E-21-12
HZY6-17398-000.	E-15-8	HZY6-31630-013.	E-19-15	HZY6-63212-000.	F-8-10-15	HZY9-31242-H01.	E-21-13
HZY6-17431-000.	E-13-1	HZY6-31636-010.	E-19-17	HZY6-63223-000.	F-8-10-16	HZY9-31246-H01.	E-21-14
HZY6-17432-000.	E-13-2	HZY6-31637-000.	E-19-18	HZY6-63225-000.	F-8-10-18	HZY9-31251-H01.	E-21-23
HZY6-17723-020.	E-18-14	HZY6-31638-003.	E-13-3	HZY6-63240-000.	F-8-10-19	HZY9-50381-000.	F-10-15
HZY6-17840-000.	F-2-2	HZY6-31750-003.	E-19-22	HZY6-63240-010.	F-8-10-19	HZY9-56115-005.	F-11-15
HZY6-17845-000.	F-2-3	HZY6-32101-000.	F-7-10-1	HZY6-63711-010ZC.	F-8-20-9	HZY9-56120-003.	F-11-20
HZY6-17860-000.	F-2-4	HZY6-32105-305.	E-9-10-31	HZY6-63716-010ZC.	F-8-20-10	HZY9-90017-000.	E-15-18
HZY6-17877-010.	F-2-5	HZY6-32106-305.	E-9-10-32	HZY6-63718-000.	F-8-20-11	HZY9-90652-003.	E-9-10-34
HZY6-17931-000.	F-2-6	HZY6-32107-305.	E-9-10-33	HZY6-63719-000.	F-8-20-12	HZZ3-06240-R30.	FOP-8-1
HZY6-18110-415ZA.	E-4-2	HZY6-32111-000.	E-14-15	HZY6-82873-000.	F-8-20-13	HZZ3-06240-R30.	FOP-8-6-1
HZY6-18112-030ZA.	E-4-3	HZY6-32112-000.	E-9-10-9	HZY6-87117-640.	F-12-1	HZZ3-06240-R40.	FOP-8-4-1
HZY6-18115-003.	E-4-4	HZY6-32113-000.	E-9-10-10	HZY6-87531-000.	F-12-7	HZZ3-06240-R60.	FOP-8-2-1
HZY6-18130-000ZA.	F-9-5	HZY6-32114-010.	E-3-15	HZY6-87531-620.	F-12-7	HZZ3-06323-R10.	FOP-6-1-1
HZY6-18135-003.	F-9-6	HZY6-32115-000.	E-15-9	HZY6-89216-000.	F-13-5	HZZ3-06323-R30.	FOP-6-1-1
HZY6-18211-000.	F-9-7	HZY6-32116-000.	E-9-20-12	HZY6-90001-000.	E-3-19	HZZ3-06328-760.	FOP-11-1
HZY6-18212-000.	F-9-8	HZY6-32166-003.	E-18-10-42	HZY6-90001-000.	F-8-10-22	HZZ3-19277-000.	F-9-14
HZY6-19221-A00.	F-4-3	HZY6-32370-004.	F-7-20-1	HZY6-90002-000.	E-6-9	HZZ3-24820-R11.	FOP-8-13
HZY6-19221-A00.	FOP-10-1-3	HZY6-32371-004.	F-7-20-2	HZY6-90002-000.	F-3-20-8	HZZ3-24820-R21.	FOP-8-2-14
HZY6-19231-000.	F-4-5	HZY6-32410-020.	F-7-10-2	HZY6-90005-000.	E-3-20	HZZ3-24830-R41.	FOP-8-4-11
HZY6-19231-000.	FOP-10-1-5	HZY6-32414-300.	F-7-2	HZY6-90006-000.	E-15-16	HZZ3-32186-000.	FOP-11-2
HZY6-19234-000.	F-4-6	HZY6-32414-300.	F-7-10-4	HZY6-90010-000.	E-18-19	HZZ3-32346-R11.	FOP-6-1-3
HZY6-19234-000.	FOP-10-3	HZY6-32414-640.	F-7-10-5	HZY6-90011-000.	E-9-20-17	HZZ3-32346-R31.	FOP-6-1-3
HZY6-19234-000.	FOP-10-1-6	HZY6-32418-000.	F-2-21	HZY6-90013-000.	E-4-8	HZZ3-35100-R11.	FOP-6-1-7
HZY6-19251-000.	F-4-7	HZY6-32419-000.	F-7-10-6	HZY6-90014-000.	F-9-23	HZZ3-35100-R11.	FOP-8-6-38
HZY6-19251-611.	F-4-7	HZY6-35475-000.	F-2-23	HZY6-90017-000.	E-6-10	HZZ3-35340-741.	FOP-12-1
HZY6-19254-000.	E-6-7	HZY6-35640-003.	F-8-20-2	HZY6-90018-000.	E-6-11	HZZ3-35341-740.	FOP-12-2
HZY6-19256-000.	F-9-9	HZY6-35660-013.	F-10-4	HZY6-90019-000.	E-6-12	HZZ3-35342-740.	FOP-12-3
HZY6-19260-020.	E-4-10-3	HZY6-35668-003.	E-4-6	HZY6-90020-000.	E-10-10	HZZ3-35343-740.	FOP-12-4
HZY6-19261-010.	E-4-10-4	HZY6-36104-003.	FOP-13-4	HZY6-90023-000.	E-9-10-18	HZZ3-35344-740.	FOP-12-5
HZY6-19262-010.	E-4-10-5	HZY6-36120-013.	F-11-4	HZY6-90043-000.	E-14-23	HZZ3-35345-741.	FOP-12-6
HZY6-19263-000.	E-4-10-6	HZY6-36129-013.	F-11-7	HZY6-90045-000.	F-9-27	HZZ3-41117-000.	F-4-15
HZY6-19266-000.	E-4-10-7	HZY6-36135-003.	E-18-17	HZY6-90047-000.	E-14-24	HZZ3-87301-R00.	F-12-4
HZY6-19267-010.	F-9-10	HZY6-36550-003.	E-14-17	HZY6-90048-010.	E-9-20-21	HZZ3-87701-R00.	FOP-8-6-47
HZY6-19268-000.	E-4-5	HZY6-36551-003.	E-14-18	HZY6-90059-000.	E-9-10-20	HZZ3-87701-R40.	FOP-8-4-18
HZY6-19269-000.	E-18-15	HZY6-37521-000.	E-9-20-14	HZY6-90082-003.	E-3-27	HZZ3-87703-R01.	FOP-8-2-24
HZY6-19273-000.	E-18-16	HZY6-38228-003.	F-7-20-3	HZY6-90103-000.	F-3-13	HZZ3-87703-R81.	FOP-8-21
HZY6-19289-000.	F-8-20-1	HZY6-38235-004.	F-7-20-4	HZY6-90104-000.	F-5-12	HZZ3-90129-000.	F-10-31
HZY6-19290-003.	F-9-16	HZY6-38550-003.	F-7-10-7	HZY6-90104-000.	F-5-1-13	HZZ3-91252-003.	F-5-26
HZY6-19295-000.	F-9-18	HZY6-38552-000.	E-3-18	HZY6-90105-000.	F-3-20-10	HZZ3-91252-003.	F-5-1-28
HZY6-19300-003.	E-9-10-4	HZY6-39794-003.	F-7-20-6	HZY6-90105-000.	F-8-10-24	HZZ3-91253-003.	F-4-29
HZY6-19315-010.	E-9-10-6	HZY6-40105-020.	F-8-10-2	HZY6-90116-000.	F-4-19	HZZ5-06325-600.	FOP-6-2
HZY6-19318-010.	E-9-10-7	HZY6-40114-010.	F-8-20-4	HZY6-90116-000.	FOP-10-1-8	HZZ5-06325-700.	FOP-6-2
HZY6-23170-000ZA.	F-9-21	HZY6-40116-000.	F-8-20-5	HZY6-90118-000.	F-3-20-11	HZZ5-06325-800.	FOP-6-2
HZY6-23172-000.	E-6-8	HZY6-40151-010ZD.	F-8-20-6	HZY6-90123-000.	F-3-15	HZZ5-32185-600.	FOP-6-4
HZY6-24101-000.	F-5-1	HZY6-40152-300.	F-8-20-7	HZY6-90135-004.	F-7-20-9	HZZ5-32185-700.	FOP-6-4
HZY6-24101-000.	F-5-1-1	HZY6-40154-000ZC.	F-8-10-5	HZY6-90201-000.	E-1-6	HZZ5-32185-800.	FOP-6-4
HZY6-24122-000.	F-5-4	HZY6-40155-000.	F-8-10-6	HZY6-90301-000.	F-8-20-16	HZZ5-32530-000.	FOP-8-6-34
HZY6-24122-000.	F-5-1-4	HZY6-40157-000.	F-8-10-7	HZY6-90401-000.	E-1-7	HZZ5-32545-000.	FOP-6-1-4
HZY6-24123-000.	F-5-5	HZY6-40201-000ZC.	F-3-20-1	HZY6-90601-000.	E-18-23	HZZ5-32580-600.	FOP-6-9
HZY6-24123-000.	F-5-1-5	HZY6-40201-611ZC.	F-3-20-1	HZY6-90601-000.	E-18-1-20	HZZ5-32580-700.	FOP-6-9
HZY6-24124-000.	F-5-6	HZY6-40212-020ZC.	F-8-20-8	HZY6-90602-020.	E-4-10-10	HZZ5-32580-800.	FOP-6-9
HZY6-24124-000.	F-5-1-6	HZY6-40219-023.	F-3-20-3	HZY6-90603-003.	E-4-10-11	HZZ5-37210-013.	FOP-8-6-44
HZY6-24166-000.	F-2-8	HZY6-41100-040ZC.	F-3-10-1	HZY6-90604-003.	E-4-12	HZZ5-37210-712.	FOP-6-1-11
HZY6-24218-000.	F-2-9	HZY6-41100-050ZC.	F-3-10-1	HZY6-90605-003.	E-18-25	HZZ5-38414-003.	FOP-6-1-14
HZY6-24310-000.	F-4-9	HZY6-41100-614ZC.	F-3-10-1	HZY6-90606-003.	F-9-31	HZZ5-50211-000.	F-10-10
HZY6-24310-710.	F-4-9	HZY6-41100-615ZC.	F-3-10-1	HZY6-90607-000.	E-18-10-50		
HZY6-24320-000.	F-2-10	HZY6-41100-714ZC.	F-3-10-1	HZY6-90651-000.	F-9-32		
HZY6-24320-610.	F-2-10	HZY6-41101-020ZC.	F-3-3	HZY6-90701-000.	E-10-12		
HZY6-24343-000.	F-4-11	HZY6-41104-010.	F-3-6	HZY6-90752-000.	F-2-39		
HZY6-24343-000.	F-4-11	HZY6-41105-010.	F-3-7	HZY6-90753-000.	F-2-40		

Note

Note

Note

2018 PARTS CATALOG

BFT 115A Model

OB No.002-14ZX1-0AH 1712 US

TOHATSU CORPORATION

5-4, Azusawa 3-Chome, Itabashi-Ku
Tokyo 174-0051, Japan
Tel: +81-3-3966-3117 Fax: +81-3-3966-2951
www.tohatsu.com

