

2018 PARTS CATALOG



TOHATSU

Feel the Wind™

BFT 200A BFT 225A Models

OB NO.002-14ZY2-0AH 17 12 US



TOHATSU CORPORATION

Instruction for use of parts catalogue

- **This parts catalogue was prepared based on the latest information available as of December 1, 2017.**
- See the Service Bulletin for any revision that is made after December 1, 2017.
- **Always specify the part number when ordering a part.**
 - Check the model, type, serial numbers, color, maker, and the size as needed before ordering a part.
 - Note that the illustrations (part drawings) can differ from the actual parts in shape.
Illustrations are given just to help you to refer to the parts.
- **When modifications or additions to this parts catalogue are made, a revised edition will be issued at an appropriate time, with successively progressing revision numbers on the cover. We recommend obtaining such revisions in order to keep your parts catalogue up-to-date at all times.**

Initial version issue date December 1, 2017

CONTENTS

E-1	CYLINDER HEAD COVER	1
E-3	CYLINDER BLOCK	3
E-3-10	CRANKCASE	7
E-4	EXHAUST MANIFOLD/THERMOSTAT	9
E-5	OIL PUMP/FLYWHEEL	11
E-6	OIL PAN	13
E-6-10	MOUNT CASE	15
E-7	CRANKSHAFT/PISTON	19
E-9	CYLINDER HEAD	23
E-9-10	CAMSHAFT/ROCKER ARM	25
E-13	TIMING BELT	27
E-13-10	TIMING BELT COVER	29
E-14	FUEL PIPE/INJECTOR	31
E-14-10	INTAKE MANIFOLD	35
E-15	THROTTLE BODY	37
E-18	VAPOR SEPARATOR ASSY	39
E-18-2	WATER SEPARATOR/FUEL STRAINER	43
E-18-10	PIPING	47
E-19	A.C.GENERATOR	49
E-20	SPARK PLUG	51
E-20-11	ELECTRONIC CONTROL UNIT	53
E-21	STARTER MOTOR	55
F-2	SHIFT SHAFT	57
F-3	GEAR CASE	61
F-3-10	GEAR CASE ASSY	63
F-3-20	EXTENSION CASE	65
F-4	WATER PUMP/VERTICAL SHAFT	71
F-5	PROPELLER SHAFT	75
F-5-1	PROPELLER SHAFT (COUNTER ROTATION)	79
F-6	FUEL TUBE	83
F-7	WIRE HARNESS	85
F-7-11	STARTER CABLE	87
F-7-30	FUSE BOX/RELAY	89
F-8	ENGINE COVER	91
F-8-10	FR.COVER BRACKET/FR.LOCK SHAFT	93
F-8-20	FUEL TUBE (2)	97
F-10	STERN BRACKET/SWIVEL CASE	99
F-11	POWER TRIM-TILT	105
F-12	LABEL	109
F-13	TOOL	111
FOP-2	WATER PUMP IMPELLER SET	113
FOP-3	REMOTE CONTROL (TOP MOUNT SINGLE TYPE) (RIGHT)	115
FOP-3-2	REMOTE CONTROL (TOP MOUNT DUAL TYPE) (RIGHT)	119
FOP-3-4	REMOTE CONTROL (FLUSH MOUNT TYPE) (RIGHT)	123
FOP-3-6	REMOTE CONTROL	125
FOP-3-7	REMOTE CONTROL (NHK MEC) (HANDLE CAP = CHROME)	131
FOP-4	SWITCH PANEL KIT (1)	137
FOP-4-1	SWITCH PANEL KIT (2)	141
FOP-5-1	METER	143
FOP-7	BOLT KIT	145
FOP-9	TRIM ADJUST PLATE SET	147
FOP-10	PROPELLER	149
FOP-12	INTERFACE CABLE KIT	151
INDEX		153
INDEX (Parts Number)		159

How to refer to the part information

A. Reference with "Illustrated index"

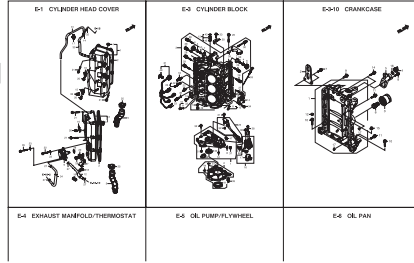
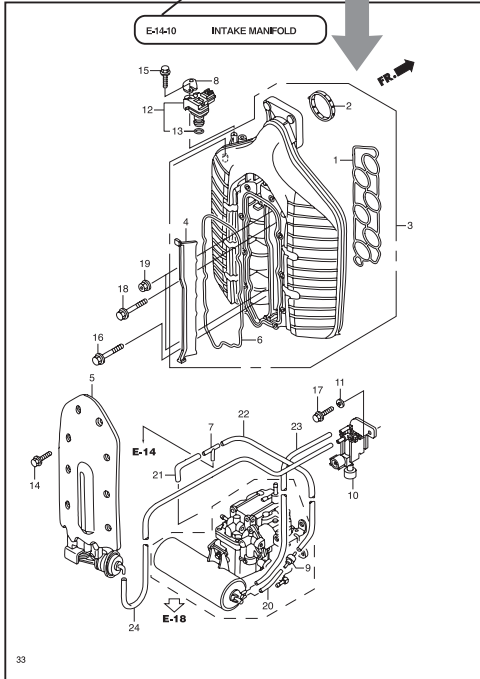


Fig. Number

Ref. Number/Part Number/Parts Name



NO.(In.)	Part No.	Description	Q'ty	Remarks
E-14-10 1	HCYH1100-004	GASKET INTAKE MANIFOLD	1	
E-14-10 2	HCYH1108-004	PACKING THROTTLE BODY	1	
E-14-10 3	HCYH1109-003	MANIFOLD COMP. INTAKE	1	
E-14-10 4	HCYH1111-003	PLATE INTAKE MANIFOLD CENTER	1	
E-14-10 5	HCYH1118-003A	COVER COMP. INTAKE MANIFOLD	1	HUBB DARK GRAY
E-14-10 6	HCYH1118-004	PACKING INTAKE MANIFOLD UP	1	COVER
E-14-10 7	HMGH1201-000	JOINT A VACUUM TUBE	1	
E-14-10 8	HCYH2010-000	BRACKET SENSOR CORD	1	
E-14-10 9	HFMH0816-004	VALVE CHECK	1	
E-14-10 10	HCYH0816-003	VALVE ASSY. AIR SPRING	1	
E-14-10 11	HFMH2016-000	WASHER CONICAL SPRING(S)	1	
E-14-10 12	HFMH3100-001	SENSOR ASSY. MAP	1	
E-14-10 13	HPSH3100-001	O-RING	1	
E-14-10 14	HCYH0001-000	BOLT FLANGE. 6X32	10	10
E-14-10 15	HCYH0001-000	BOLT+WASHER. 6X18	1	1
E-14-10 16	HCYH0001-000	BOLT FLANGE. 6X32	1	1
E-14-10 17	HCYH0008-000	BOLT FLANGE. 5X10	1	1
E-14-10 18	HDMH0816-000	BOLT FLANGE. 6X50	7	7
E-14-10 19	HCYH0001-000	NUT FLANGE. 6MM	2	2
E-14-10 20	HCDH0001-000-00	TUBE FUEL. 3.5X30	1	1 (01-40001-30001-00M)
E-14-10 21	HCDH0001-0010-00	TUBE FUEL. 3.5X30	1	1 (01-40001-30001-00M)
E-14-10 22	HCDH0001-0010-00	TUBE FUEL. 3.5X50	1	1 (01-40001-30001-00M)
E-14-10 23	HCDH0001-0010-00	TUBE FUEL. 3.5X30	1	1 (01-40001-30001-00M)
E-14-10 24	HCDH0001-0010-00	TUBE FUEL. 3.5X30	1	1 (01-40001-30001-00M)

B. Reference with "Parts number index"

INDEX (Parts Number)			
102411540	1515	104408000	116295
104408100	47	104408100	116296
104408100	50	104408100	116297
104408100	51	104408100	116298
104408100	52	104408100	116299
104408100	53	104408100	116300
104408100	54	104408100	116301
104408100	55	104408100	116302
104408100	56	104408100	116303
104408100	57	104408100	116304
104408100	58	104408100	116305
104408100	59	104408100	116306
104408100	60	104408100	116307
104408100	61	104408100	116308
104408100	62	104408100	116309
104408100	63	104408100	116310
104408100	64	104408100	116311
104408100	65	104408100	116312
104408100	66	104408100	116313
104408100	67	104408100	116314
104408100	68	104408100	116315
104408100	69	104408100	116316
104408100	70	104408100	116317
104408100	71	104408100	116318
104408100	72	104408100	116319
104408100	73	104408100	116320
104408100	74	104408100	116321
104408100	75	104408100	116322
104408100	76	104408100	116323
104408100	77	104408100	116324
104408100	78	104408100	116325
104408100	79	104408100	116326
104408100	80	104408100	116327
104408100	81	104408100	116328
104408100	82	104408100	116329
104408100	83	104408100	116330
104408100	84	104408100	116331
104408100	85	104408100	116332
104408100	86	104408100	116333
104408100	87	104408100	116334
104408100	88	104408100	116335
104408100	89	104408100	116336
104408100	90	104408100	116337
104408100	91	104408100	116338
104408100	92	104408100	116339
104408100	93	104408100	116340
104408100	94	104408100	116341
104408100	95	104408100	116342
104408100	96	104408100	116343
104408100	97	104408100	116344
104408100	98	104408100	116345
104408100	99	104408100	116346
104408100	100	104408100	116347
104408100	101	104408100	116348
104408100	102	104408100	116349
104408100	103	104408100	116350
104408100	104	104408100	116351
104408100	105	104408100	116352
104408100	106	104408100	116353
104408100	107	104408100	116354
104408100	108	104408100	116355
104408100	109	104408100	116356
104408100	110	104408100	116357
104408100	111	104408100	116358
104408100	112	104408100	116359
104408100	113	104408100	116360
104408100	114	104408100	116361
104408100	115	104408100	116362
104408100	116	104408100	116363
104408100	117	104408100	116364
104408100	118	104408100	116365
104408100	119	104408100	116366
104408100	120	104408100	116367
104408100	121	104408100	116368
104408100	122	104408100	116369
104408100	123	104408100	116370
104408100	124	104408100	116371
104408100	125	104408100	116372
104408100	126	104408100	116373
104408100	127	104408100	116374
104408100	128	104408100	116375
104408100	129	104408100	116376
104408100	130	104408100	116377
104408100	131	104408100	116378
104408100	132	104408100	116379
104408100	133	104408100	116380
104408100	134	104408100	116381
104408100	135	104408100	116382
104408100	136	104408100	116383
104408100	137	104408100	116384
104408100	138	104408100	116385
104408100	139	104408100	116386
104408100	140	104408100	116387
104408100	141	104408100	116388
104408100	142	104408100	116389
104408100	143	104408100	116390
104408100	144	104408100	116391
104408100	145	104408100	116392
104408100	146	104408100	116393
104408100	147	104408100	116394
104408100	148	104408100	116395
104408100	149	104408100	116396
104408100	150	104408100	116397
104408100	151	104408100	116398
104408100	152	104408100	116399
104408100	153	104408100	116400
104408100	154	104408100	116401
104408100	155	104408100	116402
104408100	156	104408100	116403
104408100	157	104408100	116404
104408100	158	104408100	116405
104408100	159	104408100	116406
104408100	160	104408100	116407
104408100	161	104408100	116408
104408100	162	104408100	116409
104408100	163	104408100	116410
104408100	164	104408100	116411
104408100	165	104408100	116412
104408100	166	104408100	116413
104408100	167	104408100	116414
104408100	168	104408100	116415
104408100	169	104408100	116416
104408100	170	104408100	116417
104408100	171	104408100	116418
104408100	172	104408100	116419
104408100	173	104408100	116420
104408100	174	104408100	116421
104408100	175	104408100	116422
104408100	176	104408100	116423
104408100	177	104408100	116424
104408100	178	104408100	116425
104408100	179	104408100	116426
104408100	180	104408100	116427
104408100	181	104408100	116428
104408100	182	104408100	116429
104408100	183	104408100	116430
104408100	184	104408100	116431
104408100	185	104408100	116432
104408100	186	104408100	116433
104408100	187	104408100	116434
104408100	188	104408100	116435
104408100	189	104408100	116436
104408100	190	104408100	116437
104408100	191	104408100	116438
104408100	192	104408100	116439
104408100	193	104408100	116440
104408100	194	104408100	116441
104408100	195	104408100	116442
104408100	196	104408100	116443
104408100	197	104408100	116444
104408100	198	104408100	116445
104408100	199	104408100	116446
104408100	200	104408100	116447
104408100	201	104408100	116448
104408100	202	104408100	116449
104408100	203	104408100	116450
104408100	204	104408100	116451
104408100	205	104408100	116452
104408100	206	104408100	116453
104408100	207	104408100	116454
104408100	208	104408100	116455
104408100	209	104408100	116456
104408100	210	104408100	116457
104408100	211	104408100	116458
104408100	212	104408100	116459
104408100	213	104408100	116460
104408100	214	104408100	116461
104408100	215	104408100	116462
104408100	216	104408100	116463
104408100	217	104408100	116464
104408100	218	104408100	116465
104408100	219	104408100	116466
104408100	220	104408100	116467
104408100	221	104408100	116468
104408100	222	104408100	116469

Part catalogue structure

Ref.No.	Part No.	Description	Q'ty		Remarks
			MIN	MAX	
E-14-10	1	HCY3-17101-004	1	1	
E-14-10	2	HCY3-17101-004	1	1	
E-14-10	3	HCY3-17110-000	1	1	
E-14-10	4	HCY3-17111-000	1	1	
E-14-10	5	HCY3-17100-002A	1	1	HHH+ DARK GRAY
E-14-10	8	HCY3-17131-004	1	1	COVER
E-14-10	7	HMS3-17051-000	1	1	
E-14-10	8	HCY3-0121-000	1	1	
E-14-10	9	HFM3-0140-004	1	1	
E-14-10	10	HCY3-0141-000	1	1	
E-14-10	11	HPR3-0141-000	1	1	
E-14-10	12	HFM3-3130-001	1	1	
E-14-10	13	HPR3-3130-001	1	1	
E-14-10	14	HCY3-0021-000	10	10	
E-14-10	15	HCY3-0023-000	1	1	
E-14-10	16	HCY3-0021-000	1	1	
E-14-10	17	HCY3-0023-000	1	1	
E-14-10	18	HDM3-0110-000	7	7	
E-14-10	19	HCY3-0021-000	2	2	
E-14-10	20	HCD-0001-0040-040	1	1	040-0001-0001-00M
E-14-10	21	HCD-0001-0010-040	1	1	040-0001-0001-00M
E-14-10	22	HCD-0001-0040-040	1	1	040-0001-0001-00M
E-14-10	23	HCD-0001-0030-040	1	1	040-0001-0001-00M
E-14-10	24	HCD-0001-0060-040	1	1	040-0001-0001-00M

① Fig. Number

② Fig. Title

③ Ref. Number

④ Parts Number

⑤ Parts Name

⑥ Q.ty

⑦ Remarks

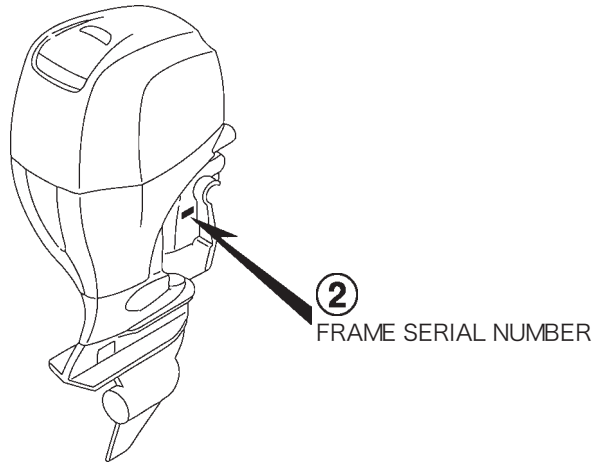
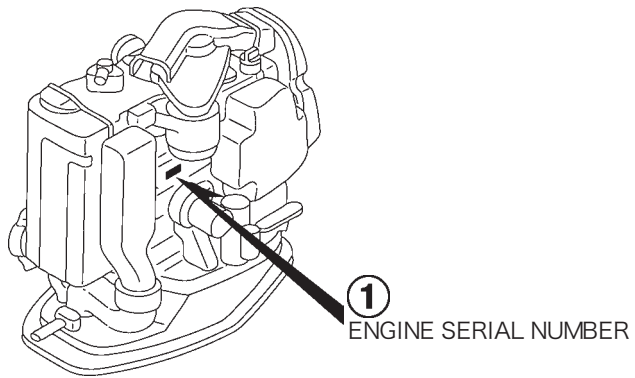
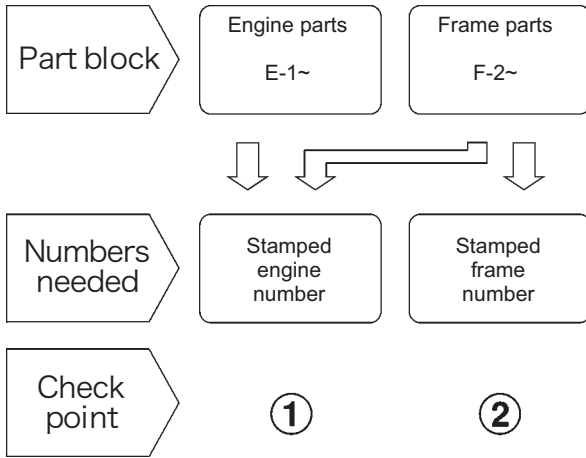
⑧ Different specification

⑨ Direction Arrow

⑩ Parts enclosed within a dotted line are sub assembly parts.

⑪ A solid arrow indicates the block No. the part in question is connected to.

How to check the part block and serial numbers



Models, parts catalogue codes and applicable serial numbers

- Models, parts catalogue codes and applicable serial Nos. given in this parts catalogue can be identified as follows.

Model	Type	Parts catalogue type	Engine		Applicable engine serial No.	Applicable frame serial No.
			Model	Type		
BFT 200A	LA	LA	BF 200AK3	SE1	BEAEJ-1300001~	BAEJ-6000051~
	XA	XA				BAEJ-7000004~
	XCA	XCA				
BFT225A	LA	LA	BF 225AK3	SE1	BEAGJ-1300001~	BAGJ-6000083~
	XA	XA				BAGJ-7000013~
	XCA	XCA				

Features of each type

- See the following table for the features of each type. (Items in brackets are optional)

Specifications		Model	BFT 200AK3		
		Type	LA	XA	XCA
Transom height	508 mm		●		
	635 mm			●	●
Gear case cover					●
Trim tab			●	●	
Counter rotation					●

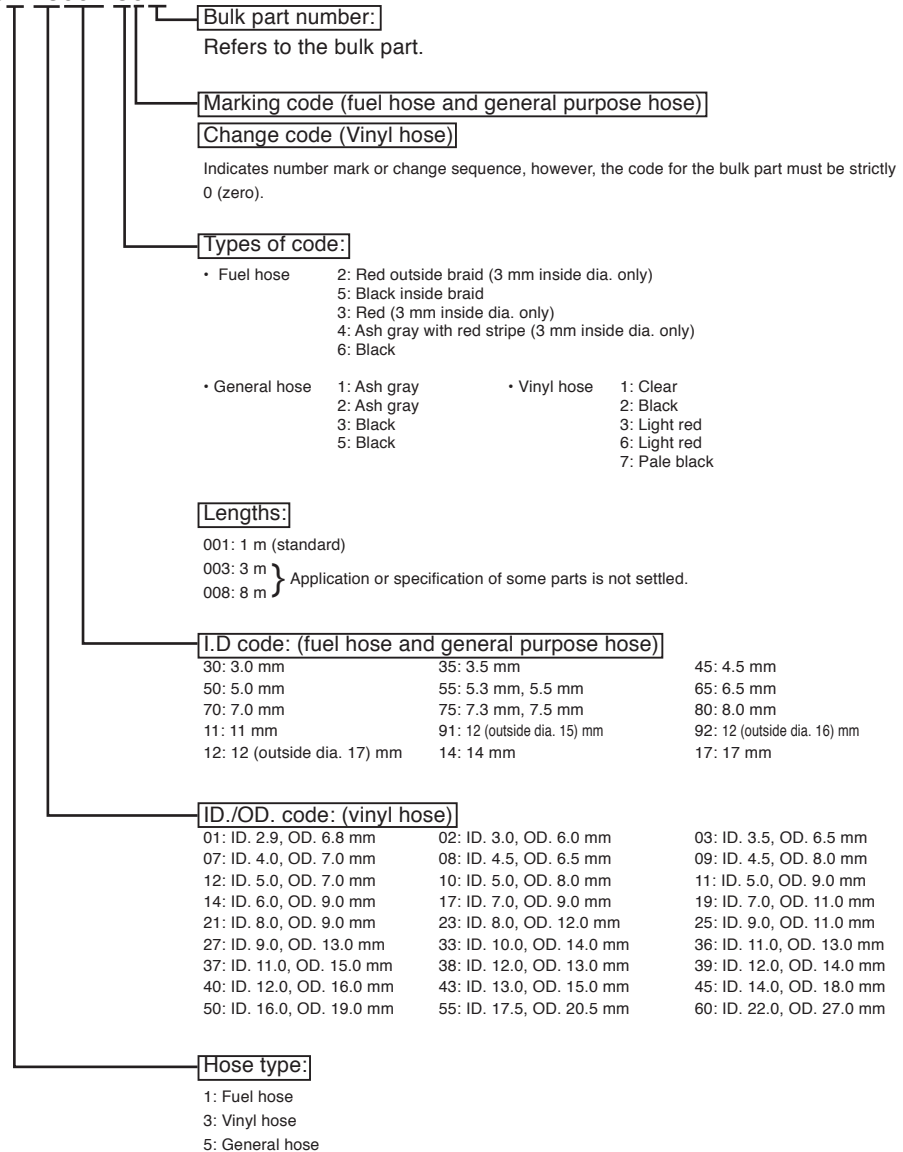
Specifications		Model	BFT 225AK3		
		Type	LA	XA	XCA
Transom height	508 mm		●		
	635 mm			●	●
Gear case cover					●
Trim tab			●	●	
Counter rotation					●

Fuel hose, general purpose hoses and vinyl hose

- The standard part fuel hose, general purpose hose and vinyl hose may be substituted by the coiled bulk part.
- When ordering the standard part fuel hose, general purpose hose and vinyl hose use the bulk part number written in the parts catalog in brackets () underneath the part name.
- When exchanging the hose, cut and use at the specified length as mentioned in the part name. (For the method of cutting the bulk part, and method of filling out orders etc., please refer to the instructions issued with the bulk part.)

Bulk part number of fuel hose, general purpose hose and vinyl hose.

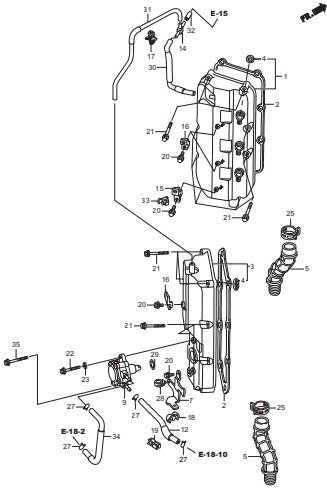
Example: 95001-75001-50M



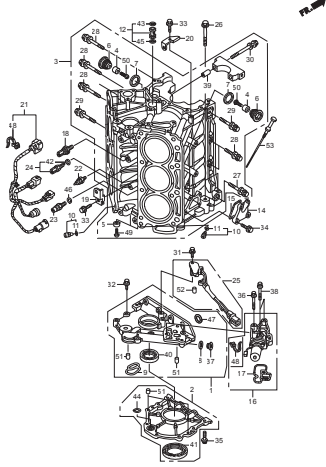
CAUTION: It is DANGEROUS to confuse the fuel hose with the general purpose hose or vinyl hose.

Never use a general purpose hose or vinyl hose in place of a fuel hose or vice versa. Always use the correct bulk part in the parts catalogue, according to the service manual or the instructions issued with the bulk part.

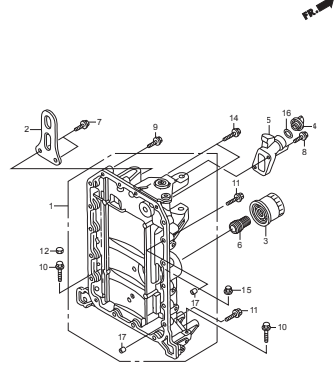
E-1 CYLINDER HEAD COVER



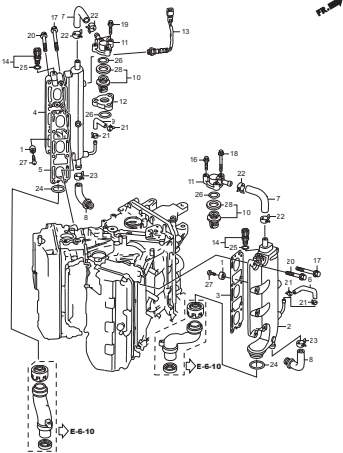
E-3 CYLINDER BLOCK



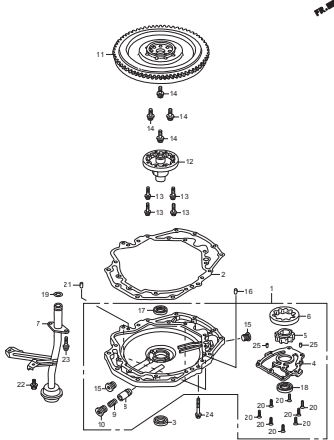
E-3-10 CRANKCASE



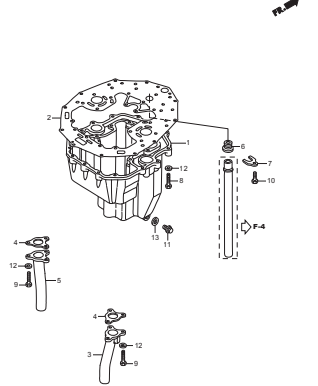
E-4 EXHAUST MANIFOLD/THERMOSTAT



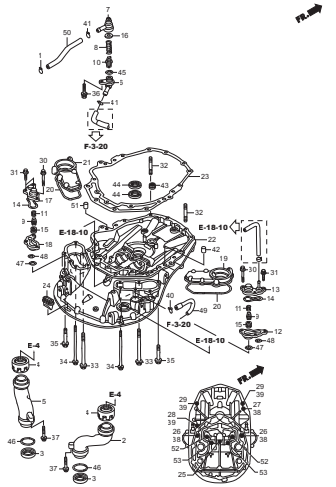
E-5 OIL PUMP/FLYWHEEL



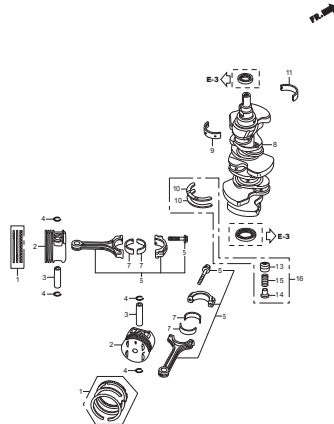
E-6 OIL PAN



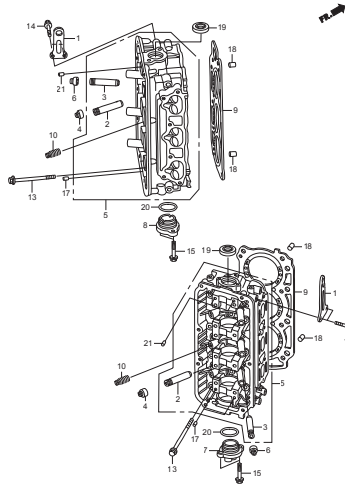
E-6-10 MOUNT CASE



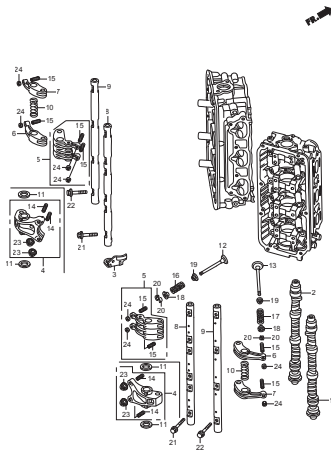
E-7 CRANKSHAFT/PISTON



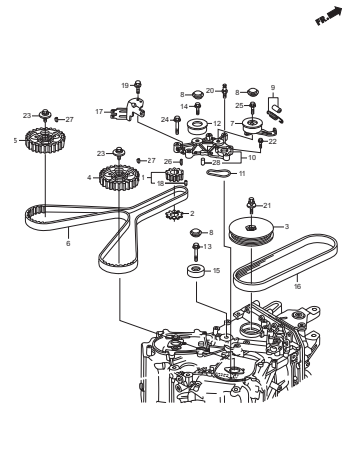
E-9 CYLINDER HEAD



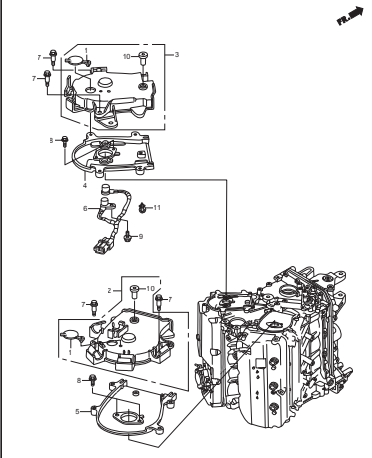
E-9-10 CAMSHAFT/ROCKER ARM



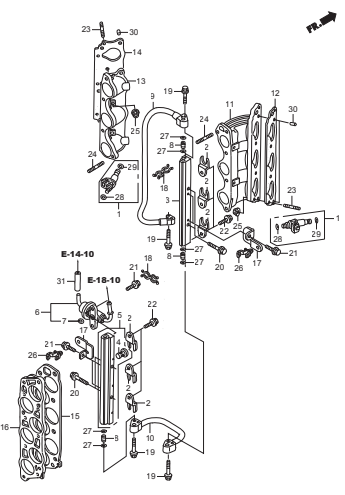
E-13 TIMING BELT



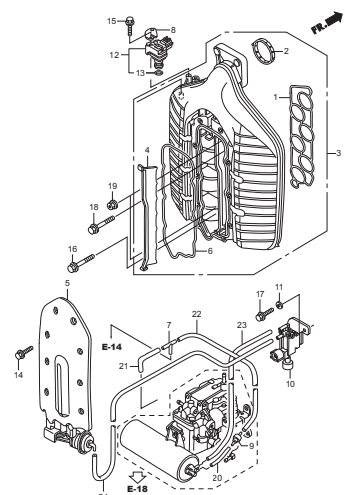
E-13-10 TIMING BELT COVER



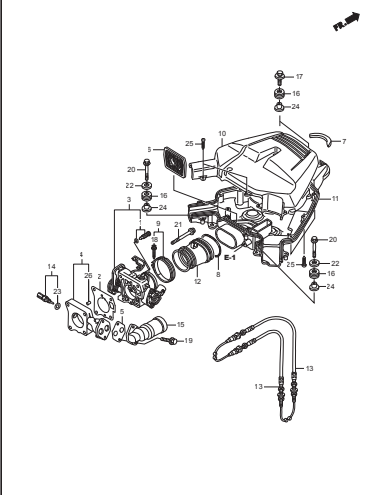
E-14 FUEL PIPE/INJECTOR



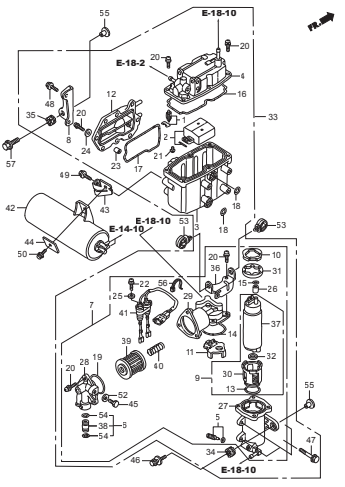
E-14-10 INTAKE MANIFOLD



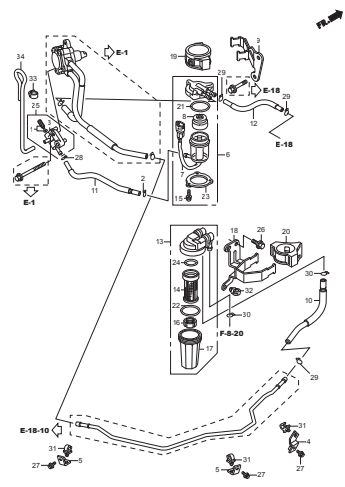
E-15 THROTTLE BODY



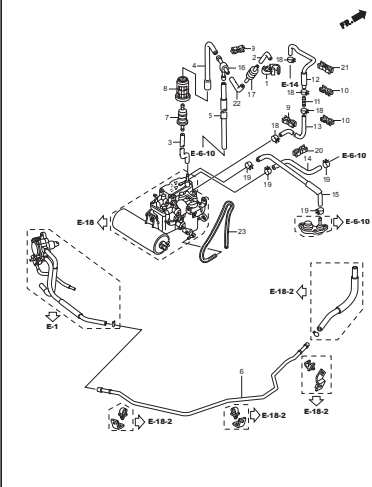
E-18 VAPOR SEPARATOR ASSY



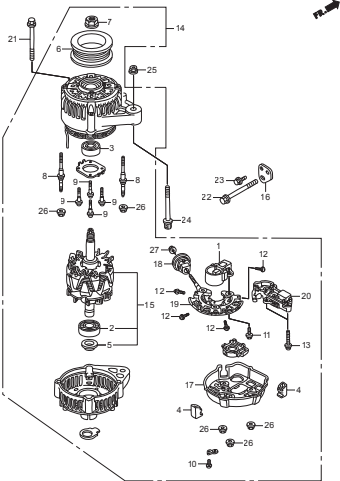
E-18-2 WATER SEPARATOR/FUEL STRAINER



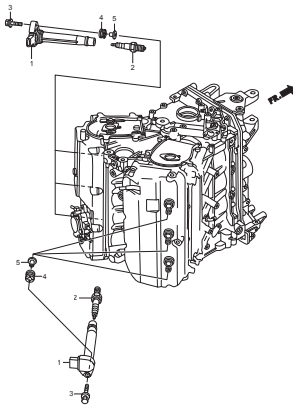
E-18-10 PIPING



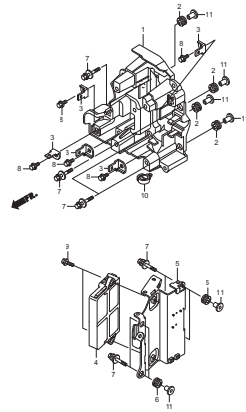
E-19 A.C.GENERATOR



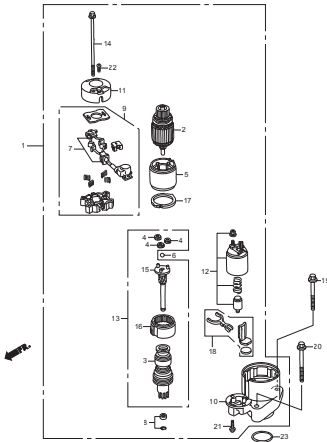
E-20 SPARK PLUG



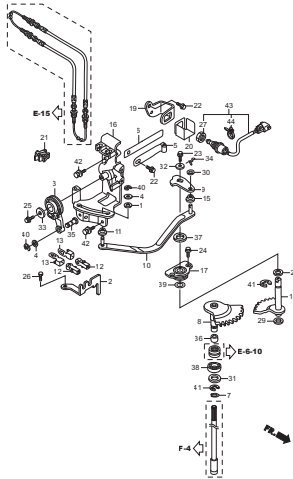
E-20-11 ELECTRONIC CONTROL UNIT



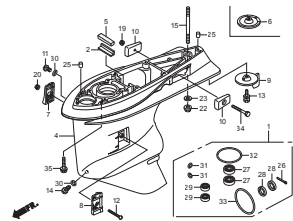
E-21 STARTER MOTOR



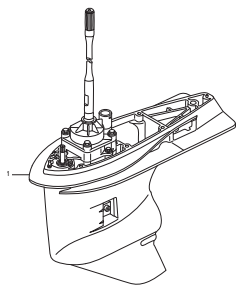
F-2 SHIFT SHAFT



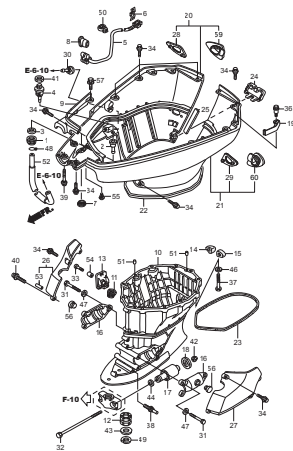
F-3 GEAR CASE



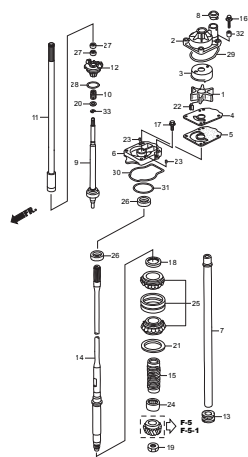
F-3-10 GEAR CASE ASSY



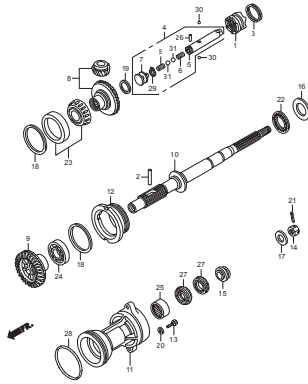
F-3-20 EXTENSION CASE



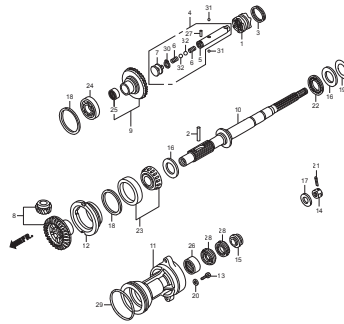
F-4 WATER PUMP/VERTICAL SHAFT



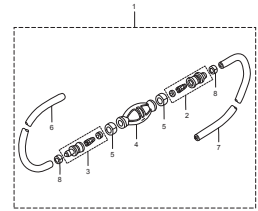
F-5 PROPELLER SHAFT



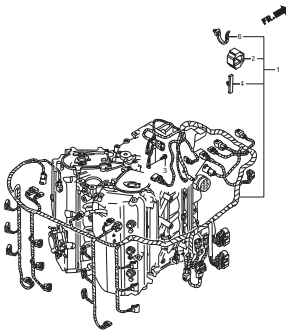
F-5-1 PROPELLER SHAFT
(COUNTER ROTATION)



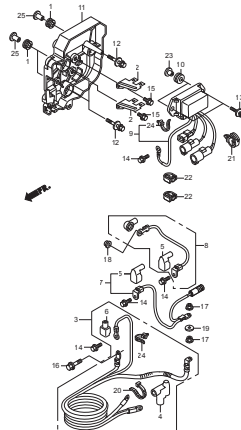
F-6 FUEL TUBE



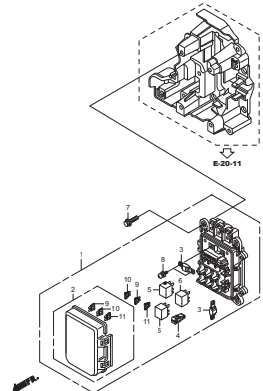
F-7 WIRE HARNESS



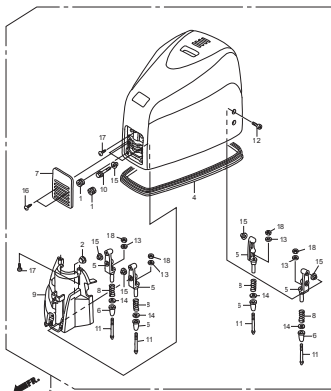
F-7-11 STARTER CABLE



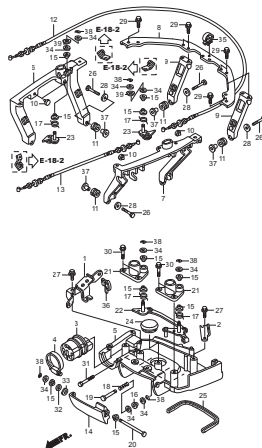
F-7-30 FUSE BOX/RELAY



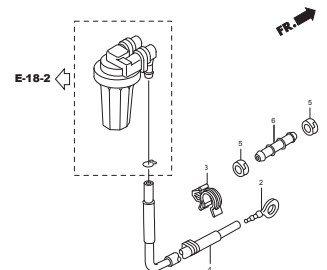
F-8 ENGINE COVER



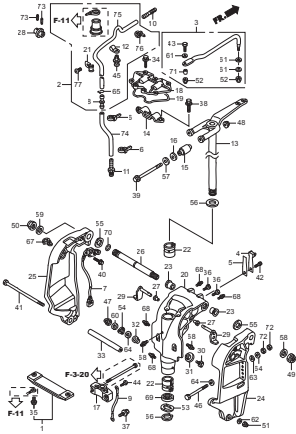
F-8-10 FR.COVER BRACKET/FRLOCK SHAFT



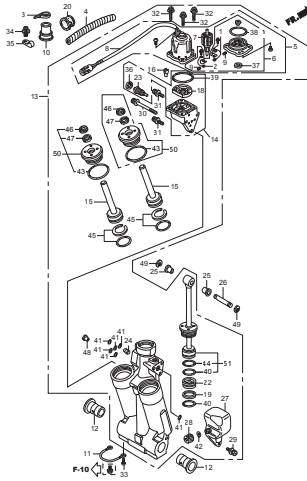
F-8-20 FUEL TUBE (2)



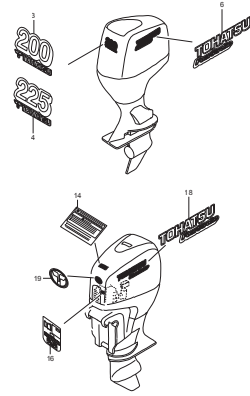
F-10 STERN BRACKET/SWIVEL CASE



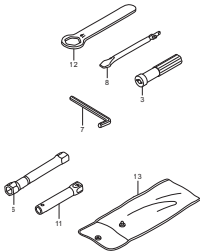
F-11 POWER TRIM-TILT



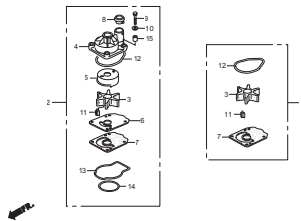
F-12 LABEL



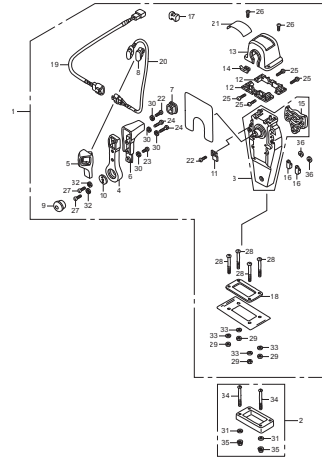
F-13 TOOL



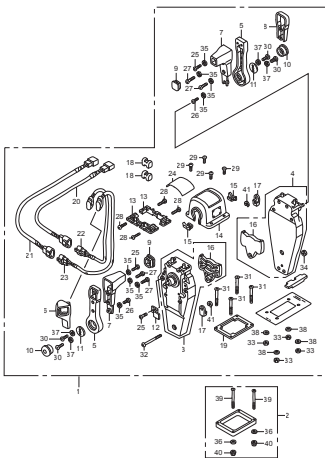
FOP-2 WATER PUMP IMPELLER SET



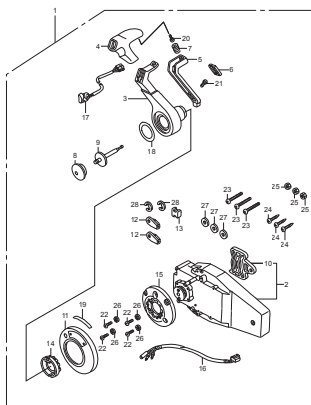
FOP-3 REMOTE CONTROL (TOP MOUNT SINGLE TYPE) (RIGHT)



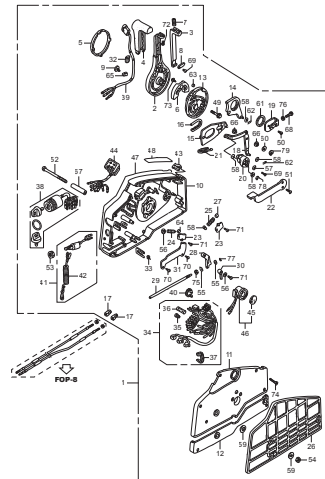
FOP-3-2 REMOTE CONTROL (TOP MOUNT DUAL TYPE) (RIGHT)



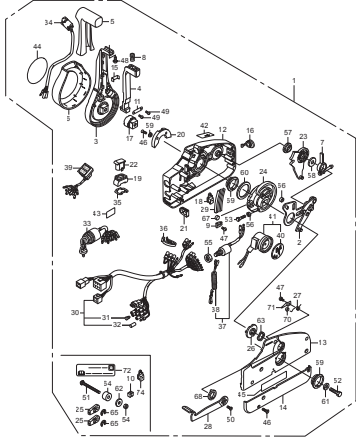
FOP-3-4 REMOTE CONTROL (FLUSH MOUNT TYPE) (RIGHT)



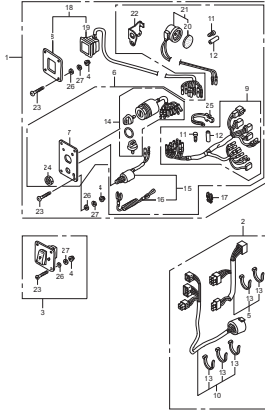
FOP-3-6 REMOTE CONTROL



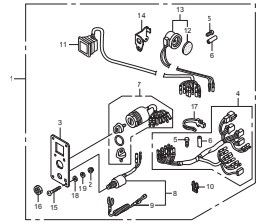
FOP-3-7 REMOTE CONTROL
(NHK MEC)(HANDLE CAP = CHROME)



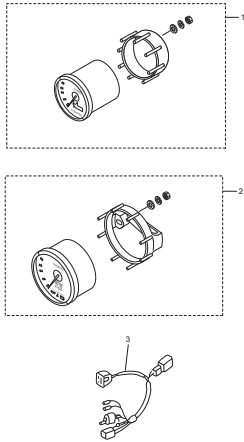
FOP-4 SWITCH PANEL KIT (1)



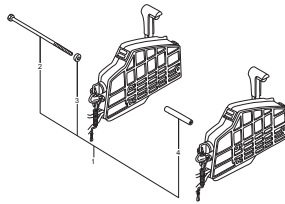
FOP-4-1 SWITCH PANEL KIT (2)



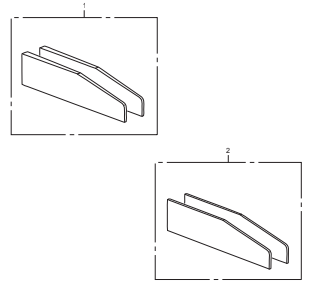
FOP-5-1 METER



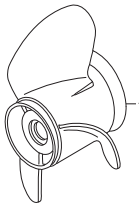
FOP-7 BOLT KIT



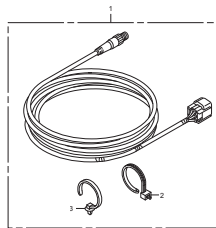
FOP-9 TRIM ADJUST PLATE SET



FOR-10 PROPELLER



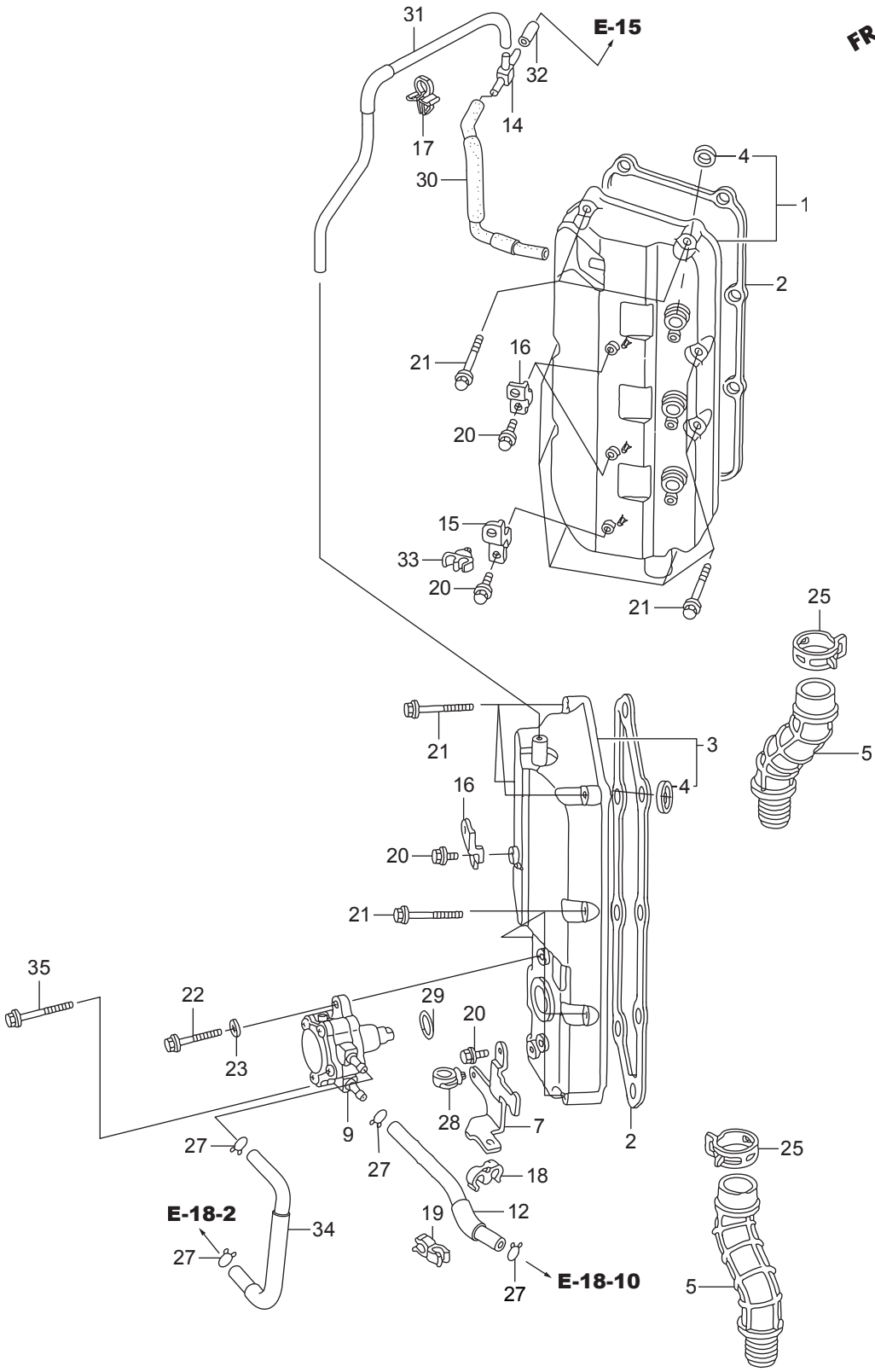
FOP-12 INTERFACE CABLE KIT



E-1

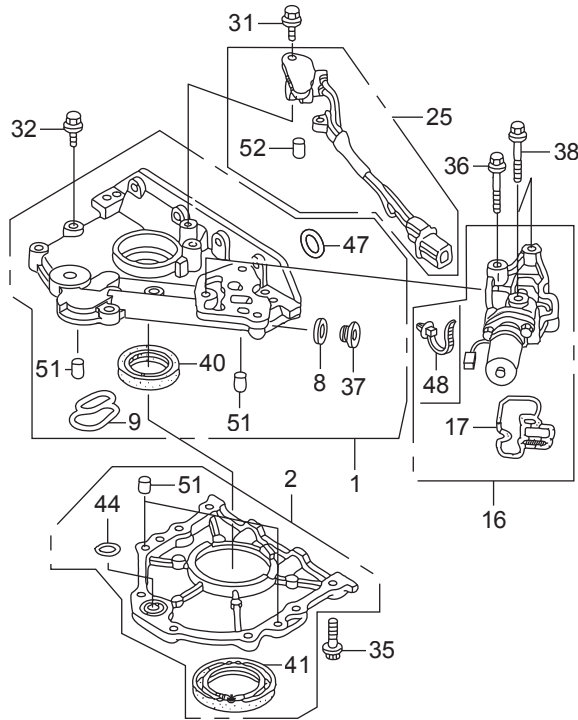
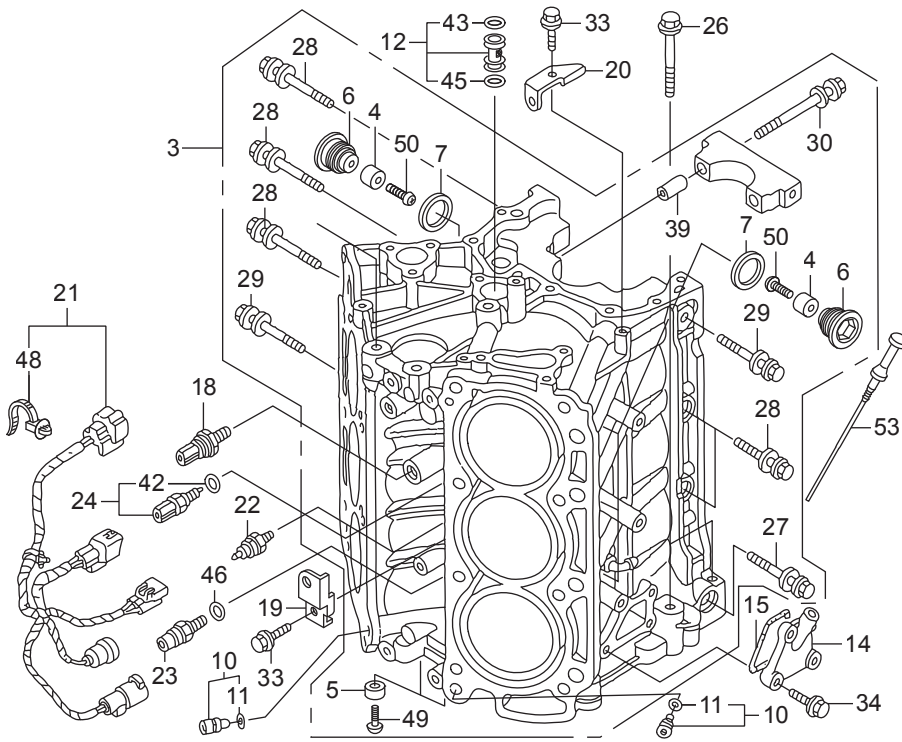
CYLINDER HEAD COVER

FR. 



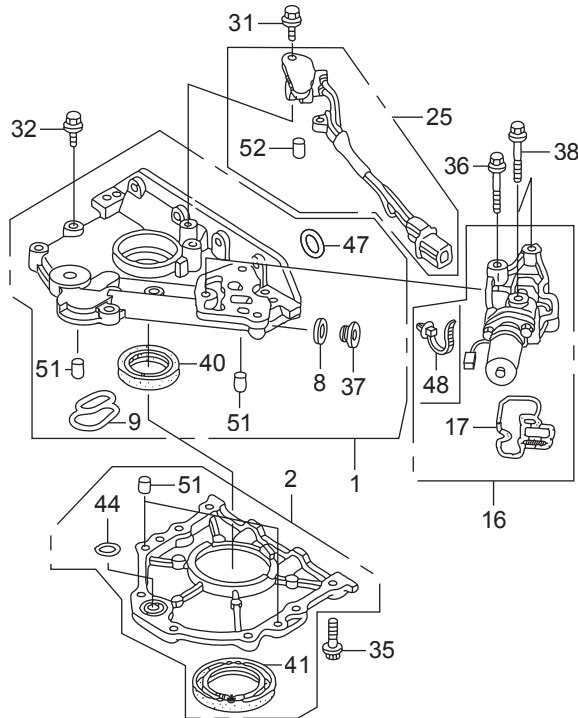
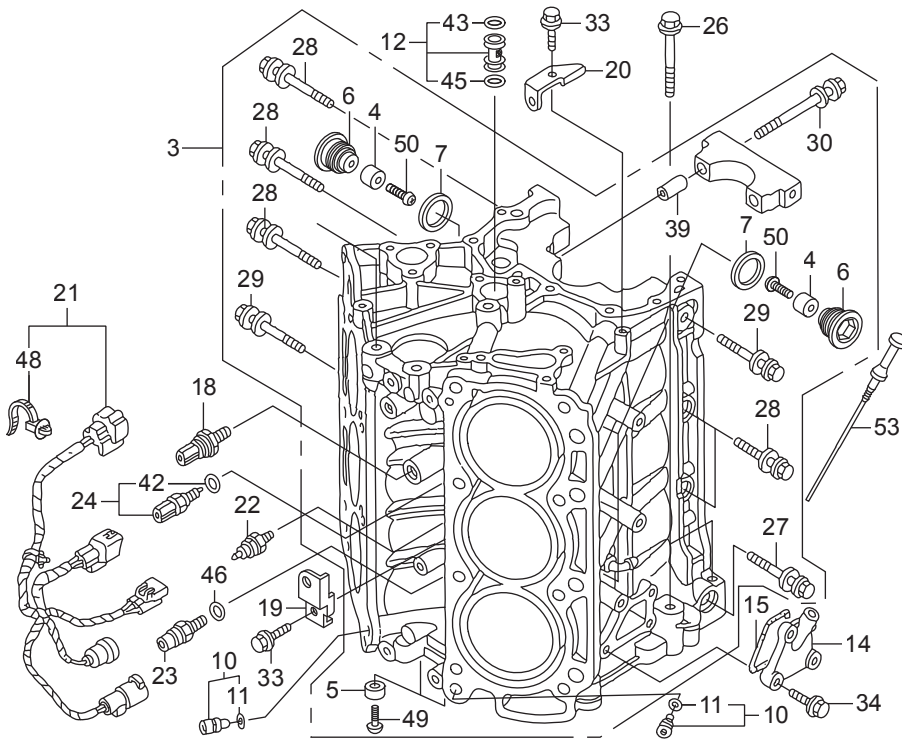
Ref.No.	Part No.	Description	Q' ty		Remarks	
			BFT200A	BFT225A		
E-1	1	HZY3-12310-405ZA	COVER, R. CYLINDER HEAD	1	1	*NH8* DARK GRAY
E-1	2	HZY3-12312-000	PACKING, HEAD COVER	2	2	
E-1	3	HZY3-12320-405ZA	COVER, L. CYLINDER HEAD	1	1	*NH8* DARK GRAY
E-1	4	HP08-12342-004	SEAL, SPARK PLUG TUBE(NOK)	6	6	
E-1	5	HZY3-15425-010	TUBE, OIL	2	2	
E-1	7	HZY3-16203-000	BRACKET, SOLENOID VALVE	1	1	
E-1	9	HZX2-16700-003	PUMP ASSY., FUEL	1	1	
E-1	12	HZY3-16895-C00	TUBE COMP. G, FUEL	1	1	
E-1	14	HMT2-17193-000	T-JOINT	1	1	
E-1	15	HZW9-32114-730	BRACKET, CLIP B	1	1	
E-1	16	HZY3-32129-000	BRACKET C, HARNESS CLIP	3	3	
E-1	17	HHE0-50310-003	CLIP A, WIRE	1	1	
E-1	18	HSE0-53740-953	CLIP, SENSOR HOSE	1	1	
E-1	19	HSD9-54316-013	CLIP, SHIFT WIRE	1	1	
E-1	20	HZW9-90011-000	BOLT, FLANGE, 6X14(CT200)	5	5	
E-1	21	HZW9-90019-000	BOLT, FLANGE, 6X35	16	16	
E-1	22	HZY3-90036-000	BOLT, FLANGE, 8X32	1	1	
E-1	23	HZY3-90406-000	WASHER, PLAIN, 8MM	1	1	
E-1	25	HZY3-90602-020	CLAMP, TUBE(D32.5)	2	2	
E-1	27	HZV0-90604-000	CLIP, TUBE(B12)	4	4	
E-1	28	HZB7-90691-003	CLIP, HARNESS	1	1	
E-1	29	HKT7-91305-003	O-RING, 37X2.4(ARAI)	1	1	
E-1	30	HZY3-91401-A00	TUBE COMP. A, BREATHER	1	1	
E-1	31	HZY3-91402-020	TUBE B, BREATHER	1	1	
E-1	32	HZY3-91403-000	TUBE C, BREATHER	1	1	
E-1	33	HSK7-91566-003	CLIP D, WASHER TUBE	1	1	
E-1	34	HZX2-16870-C00	TUBE COMP., FUEL(C)	1	1	
E-1	35	HZW4-90126-000	BOLT, FLANGE, 8X45	1	1	

FR. 



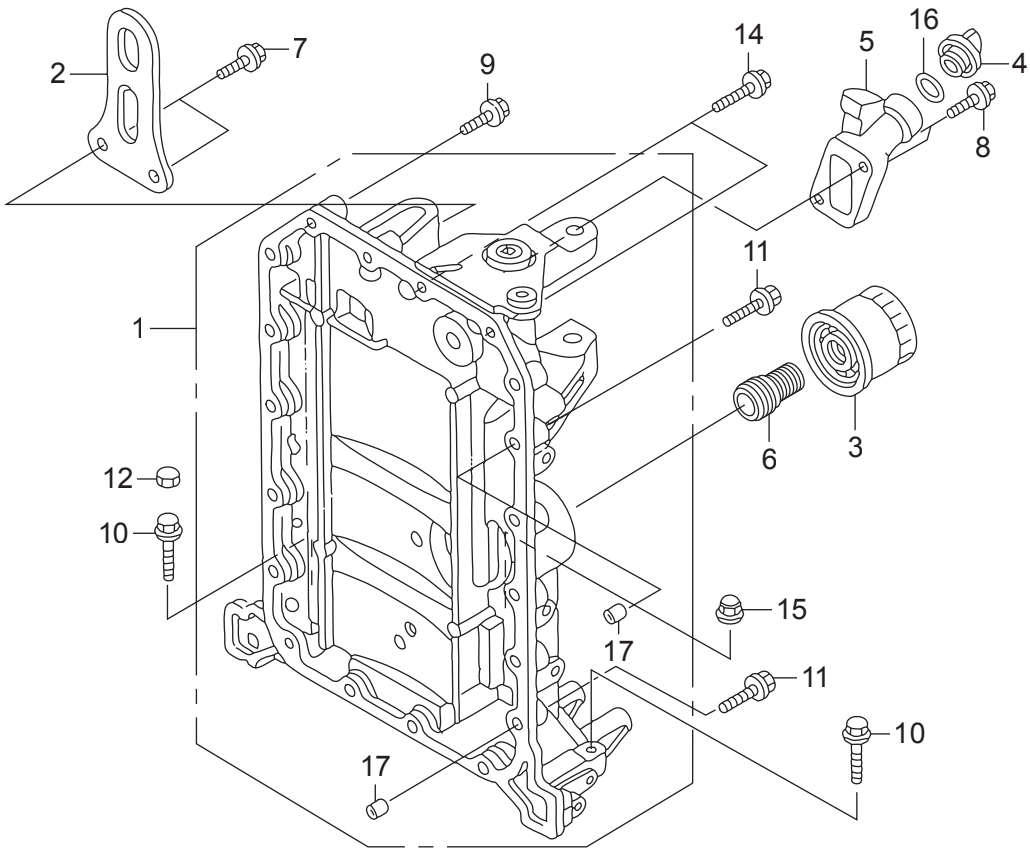
Ref.No.	Part No.	Description	Q' ty		Remarks	
			BFT200A	BFT225A		
E-3	1	HZY3-11200-010ZA	COVER ASSY., CRANKCASE UPPER	1	1	*NH8* DARK GRAY
E-3	2	HZY3-11300-C00	CASE ASSY., OIL SEAL	1	1	
E-3	3	HZY3-12000-436ZA	BLOCK ASSY., CYLINDER	1	1	*NH8* DARK GRAY
E-3	4	HZV4-12155-A00	METAL, ANODE	6	6	
E-3	5	HZY3-12155-000	METAL, ANODE	2	2	
E-3	6	HZY3-12164-000	BOLT, SEALING, 22MM	6	6	
E-3	7	HZY3-12171-305	WASHER, SEALING, 22MM	6	6	
E-3	8	HZV5-12214-000	WASHER, SEALING(22MM)	1	1	
E-3	9	HP8A-15115-A01	PACKING, OIL HOLE	1	1	
E-3	10	HP8A-15140-A00	ORIFICE ASSY., OIL CONTROL	2	2	
E-3	11	HP8A-15142-A00	O-RING, 8.8X2.4	2	2	
E-3	12	HP8A-15150-A00	JOINT ASSY., OIL PIPE	1	1	
E-3	14	HZY3-15656-000	COVER, OIL LEVEL GAUGE	1	1	
E-3	15	HZY3-15657-000	PACKING, OIL LEVEL GAUGE	1	1	
E-3	16	HZY2-15810-000ZA	VALVE ASSY., SPOOL	1		*NH8* DARK GRAY
E-3	16	HZY3-15810-003ZA	VALVE ASSY., SPOOL		1	*NH8* DARK GRAY
E-3	17	HZY2-15825-000	FILTER ASSY., SPOOL VALVE	1		
E-3	17	HZY3-15825-003	FILTER ASSY., SPOOL VALVE		1	
E-3	18	HRNA-30530-A01	SENSOR COMP., KNOCK	1	1	
E-3	19	HZW9-32114-730	BRACKET, CLIP B	1	1	
E-3	20	HZY3-32116-000	BRACKET B, HARNESS CLIP	1	1	
E-3	21	HZY3-32193-C00	CORD, SWITCH	1	1	
E-3	22	HZW9-35490-003	SWITCH ASSY., OIL PRESSURE	1	1	
E-3	23	HZY3-35490-004	SWITCH ASSY., OIL PRESSURE	1	1	
E-3	24	HZY3-35673-003	SENSOR ASSY., WATER TEMPERATURE	1	1	
E-3	25	HZY3-35700-003	SENSOR ASSY., CRANK	1	1	
E-3	26	HZY3-90001-000	BOLT, FLANGE, 12X95	2	2	
E-3	27	HZY3-90006-003	BOLT-WASHER, 10X109	1	1	
E-3	28	HZY3-90008-003	BOLT-WASHER, 10X60	5	5	

FR. 

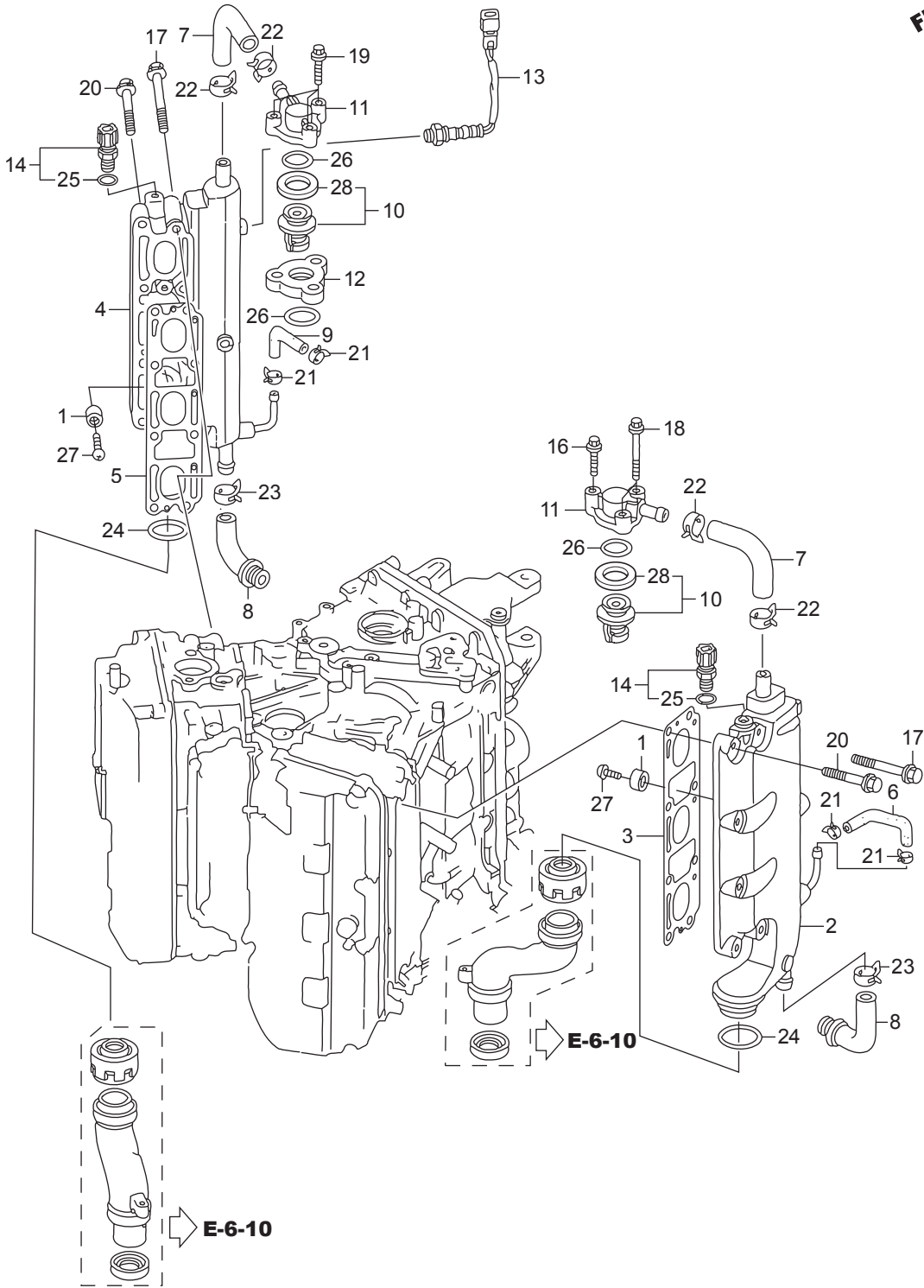


Ref.No.	Part No.	Description	Q' ty		Remarks	
			BFT200A	BFT225A		
E-3	29	HZY3-90009-003	BOLT-WASHER, 10X80	2	2	
E-3	30	HRCA-90014-A01	BOLT-WASHER, 11X105	8	8	
E-3	31	HZY3-90017-000	BOLT, FLANGE, 6X16	1	1	
E-3	32	HZW9-90019-000	BOLT, FLANGE, 6X35	7	7	
E-3	33	HZY3-90021-000	BOLT, FLANGE, 6X14	2	2	
E-3	34	HZY3-90028-000	BOLT, FLANGE, 6X18	4	4	
E-3	35	HZY3-90030-000	BOLT, FLANGE, 6X22	8	8	
E-3	36	HZY3-90038-000	BOLT, FLANGE, 8X75	1	1	
E-3	37	HZV5-90081-010	BOLT, SEALING, 22MM	1	1	
E-3	38	HZW4-90156-000	BOLT, FLANGE, 8X50	2	2	
E-3	39	HPH7-90715-000	DOWEL PIN, 13X37	8	8	
E-3	40	HZY3-91212-003	OIL SEAL, 41X66X8	1	1	
E-3	41	HPNA-91214-014	OIL SEAL, 80X98X10(ARAI)	1	1	
E-3	42	HPNA-91307-003	O-RING, 9.5X1.9	1	1	
E-3	43	HP8A-91308-A01	O-RING, 18.3X3.5	1	1	
E-3	44	HPK1-91308-003	O-RING, 26.2X2.4(NOK)	1	1	
E-3	45	HP8A-91309-A01	O-RING, 16.3X3.5	1	1	
E-3	46	HPR3-91319-003	O-RING, 13X1.5(ARAI)	1	1	
E-3	47	HP0X-91321-003	O-RING, 25X2.4(NOK)	1	1	
E-3	48	HS0A-91541-003	CLIP, HARNESS BAND(BLACK)	1	2	(145MM)
E-3	49	HCO-93500-05016-4J	SCREW, PAN, 5X16	2	2	
E-3	50	HCO-93500-05020-4J	SCREW, PAN, 5X20	6	6	
E-3	51	HCO-94301-06100	DOWEL PIN, 6X10	4	4	
E-3	52	HCO-94303-05080	DOWEL PIN, 5X8	1	1	
E-3	53	HZX2-15655-000	GAUGE COMP., OIL LEVEL	1	1	

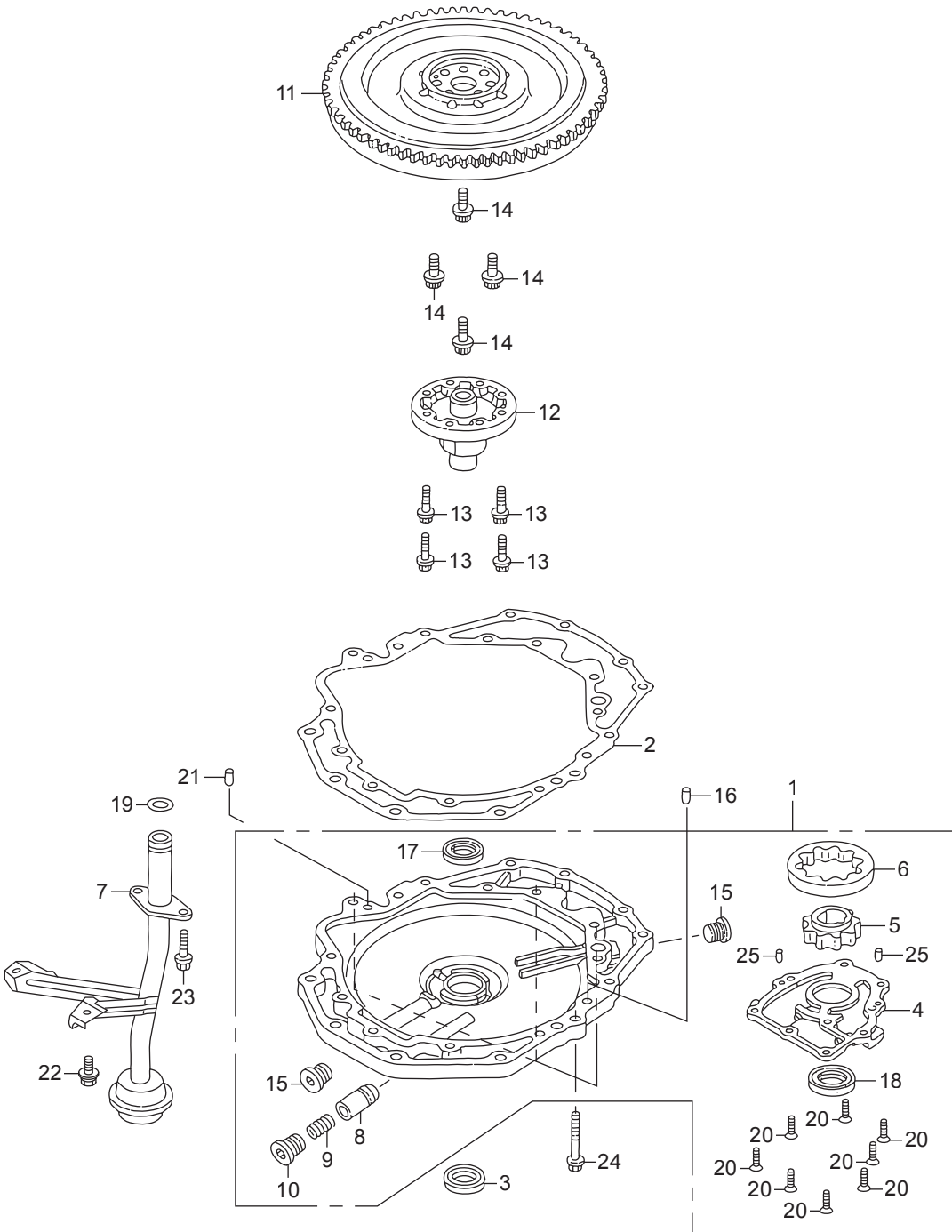
FR. 



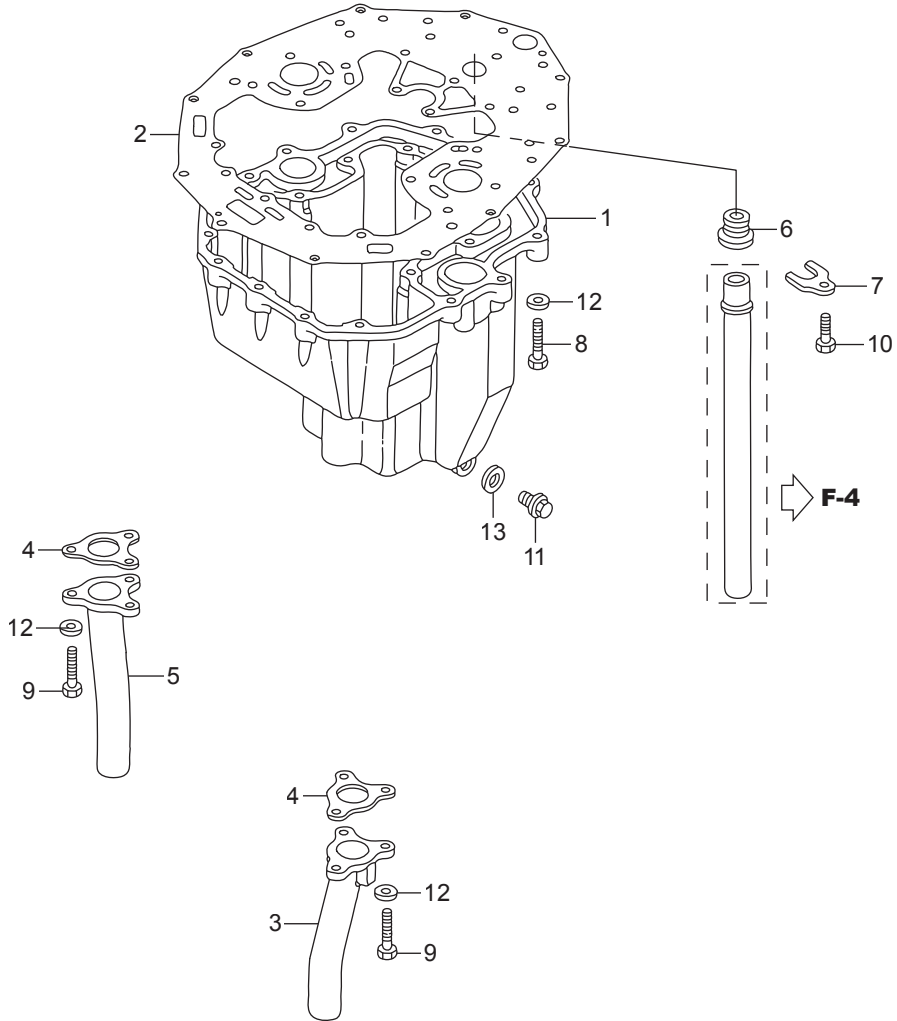
FR. 



Ref.No.	Part No.	Description	Q' ty		Remarks	
			BFT200A	BFT225A		
E-4	1	HZV5-12155-000	METAL, ANODE	4	4	
E-4	2	HZY3-18110-010ZA	MANIFOLD COMP., R. EX.	1	1	*NH8* DARK GRAY
E-4	3	HZY3-18115-003	GASKET, R. EX. MANIFOLD	1	1	
E-4	4	HZY3-18120-C01ZA	MANIFOLD COMP., L. EX.	1	1	*NH8* DARK GRAY
E-4	5	HZY3-18125-003	GASKET, L. EX. MANIFOLD	1	1	
E-4	6	HZY3-19255-000	TUBE, R. WATER RETURN	1	1	
E-4	7	HZY3-19256-010	TUBE, WATER RELIEF	2	2	
E-4	8	HZY3-19257-000	TUBE, WATER	2	2	
E-4	9	HZY3-19261-000	TUBE, L. WATER RETURN	1	1	
E-4	10	HZY3-19300-023	THERMOSTAT ASSY.	2	2	
E-4	11	HZY3-19315-020ZA	COVER, THERMOSTAT	2	2	*NH8* DARK GRAY
E-4	12	HZY3-19319-A00ZA	SPACER, THERMOSTAT	1	1	*NH8* DARK GRAY
E-4	13	HZY3-35655-C01	SENSOR, OXYGEN	1	1	
E-4	14	HZY3-35673-003	SENSOR ASSY., WATER TEMPERATURE	2	2	
E-4	16	HZW9-90019-000	BOLT, FLANGE, 6X35	1	1	
E-4	17	HZY3-90027-000	BOLT, FLANGE, 8X60	8	8	
E-4	18	HZY3-90034-000	BOLT, FLANGE, 6X60	2	2	
E-4	19	HZW4-90146-000	BOLT, FLANGE, 6X50	3	3	
E-4	20	HZW4-90155-000	BOLT, FLANGE, 8X40	8	8	
E-4	21	HZY3-90601-030	CLAMP, TUBE(D10.5)	4	4	
E-4	22	HZY3-90603-020	CLAMP, TUBE(D29)	4	4	
E-4	23	HZY3-90604-020	CLAMP, TUBE(D21)	2	2	
E-4	24	HZY3-91301-003	O-RING, 66.4X3.1	2	2	
E-4	25	HPNA-91307-003	O-RING, 9.5X1.9	2	2	
E-4	26	HSD4-91356-952	O-RING, 31.5X2.4(ARAI)	3	3	
E-4	27	HCO-93500-06018-4J	SCREW, PAN, 6X18	4	4	
E-4	28	HZW9-19303-003	RUBBER, RING	2	2	

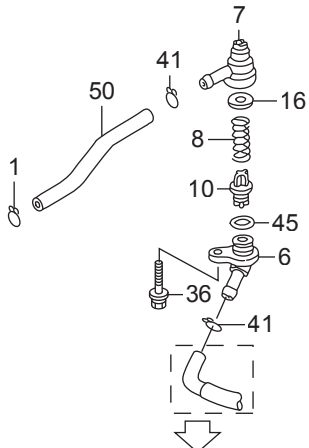


Ref.No.	Part No.	Description	Q' ty		Remarks	
			BFT200A	BFT225A		
E-5	1	HZY3-15100-000ZA	PUMP ASSY., OIL	1	1	*NH8* DARK GRAY
E-5	2	HZY3-15112-013	PACKING, OIL PUMP BODY	1	1	
E-5	3	HZY3-15113-000	RUBBER, OIL PUMP	1	1	
E-5	4	HZY3-15121-000	COVER, OIL PUMP	1	1	
E-5	5	HZY3-15131-405	ROTOR, OIL PUMP INNER	1	1	
E-5	6	HZY3-15132-405	ROTOR, OIL PUMP OUTER	1	1	
E-5	7	HZY3-15220-020	STRAINER COMP., OIL	1	1	
E-5	8	HPE0-15231-000	VALVE, RELIEF	1	1	
E-5	9	HPG6-15232-000	SPRING, RELIEF VALVE	1	1	
E-5	10	HPC6-15233-000	BOLT, SEALING, 18MM	1	1	
E-5	11	HZY3-31110-000ZA	FLYWHEEL COMP.	1	1	*TBLACK* BLACK
E-5	12	HZY3-31116-000	BOSS, FLYWHEEL	1	1	
E-5	13	HZW5-90002-013	BOLT, SPECIAL, 8MM	8	8	
E-5	14	HPH3-90011-000	BOLT, FLANGE, 12MM	8	8	
E-5	15	HZV5-90081-010	BOLT, SEALING, 22MM	2	2	
E-5	16	HPW5-90701-000	DOWEL PIN, 14X15	1	1	
E-5	17	HZW5-91201-003	OIL SEAL, 46X60X9	1	1	
E-5	18	HP01-91212-003	OIL SEAL, 31X46X7(NOK)	1	1	
E-5	19	HPC6-91324-000	O-RING, 20.6X2.6	1	1	
E-5	20	HCO-93600-06016-0A	SCREW, FLAT, 6X16	8	8	
E-5	21	HCO-94302-10160	PIN B, DOWEL, 10X16	1	1	
E-5	22	HCO-95701-06014-09	BOLT, FLANGE, 6X14	2	2	
E-5	23	HCO-95701-06018-09	BOLT, FLANGE, 6X18	2	2	
E-5	24	HCO-95701-08030-09	BOLT, FLANGE, 8X30	4	4	
E-5	25	HCO-96220-50080	ROLLER, 5X8	2	2	

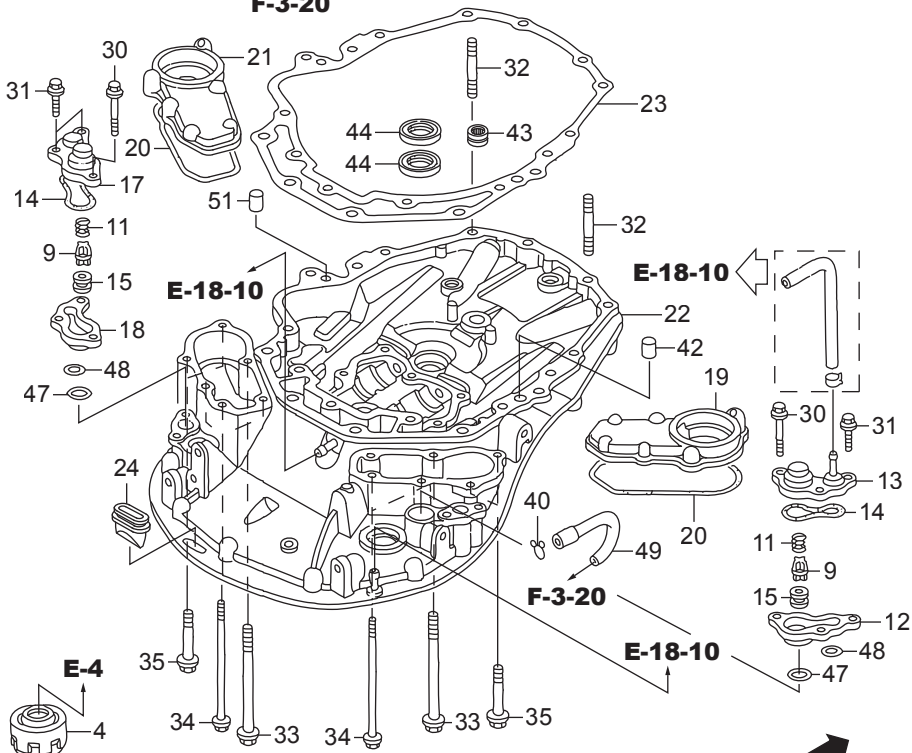


E-6-10

MOUNT CASE

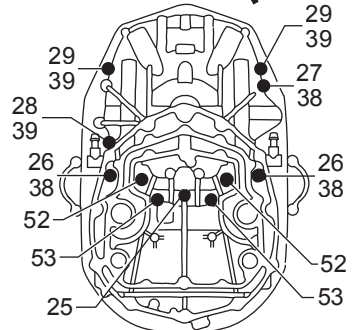
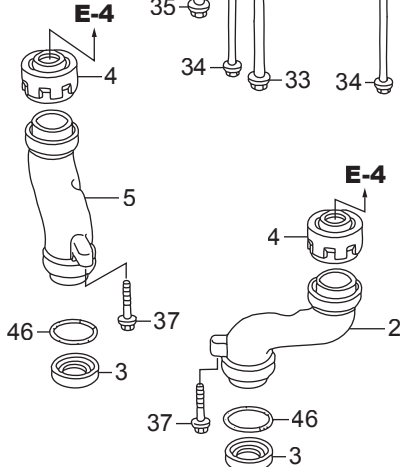


F-3-20



E-4

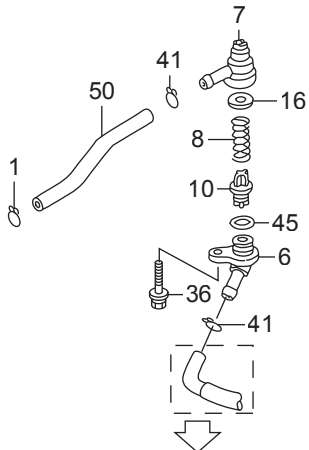
E-4



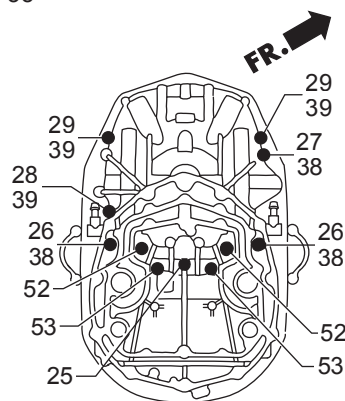
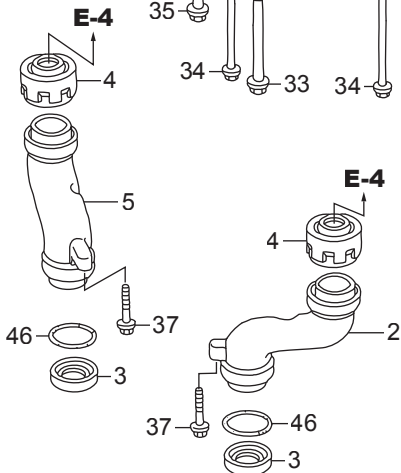
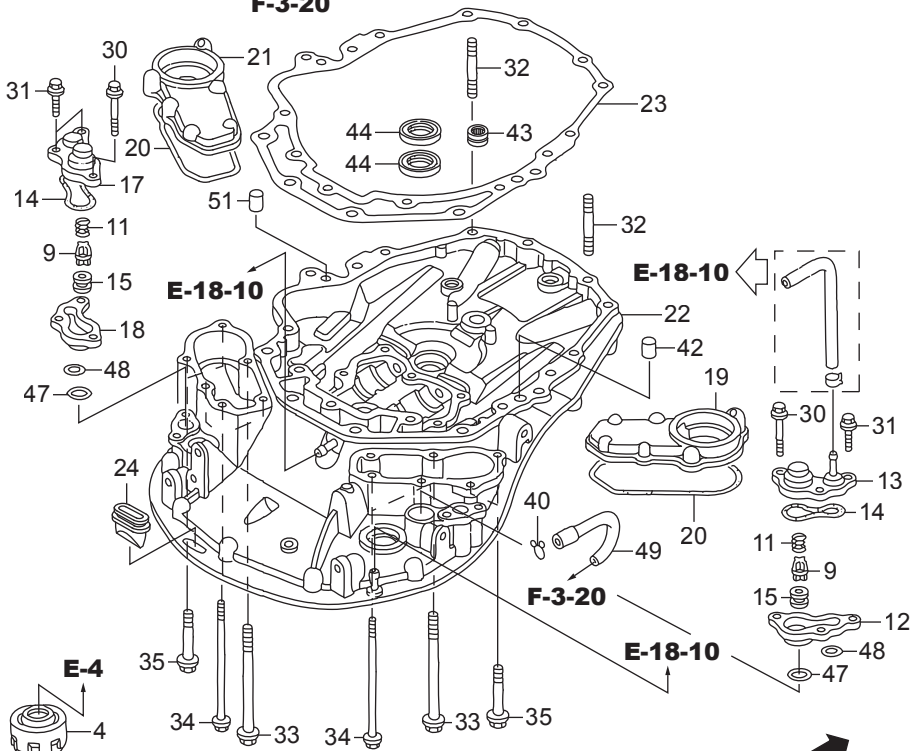
Ref.No.	Part No.	Description	Q' ty		Remarks	
			BFT200A	BFT225A		
E-6-10	1	HGHB-16163-610	CLIP, TUBE	1	1	
E-6-10	2	HZY3-18141-A00ZA	GUIDE, R. EX.	1	1	*TGRAY* GRAY
E-6-10	3	HZY3-18148-003	SEAL, EXHAUST GUIDE	2	2	
E-6-10	4	HZY3-18149-A01	SEAL B, EX. GUIDE	2	2	
E-6-10	5	HZY3-18151-A00ZA	GUIDE, L. EX.	1	1	*TGRAY* GRAY
E-6-10	6	HZY3-19277-000ZA	COVER, FLUSH VALVE	1	1	*NH8* DARK GRAY
E-6-10	7	HZY3-19278-000	CASE, FLUSH VALVE	1	1	
E-6-10	8	HZW9-19279-000	SPRING, FLUSH VALVE	1	1	
E-6-10	9	HZW5-19291-000	VALVE, RELIEF	2	2	
E-6-10	10	HZW9-19291-000	VALVE, FLASH	1	1	
E-6-10	11	HZW5-19292-000	SPRING, RELIEF VALVE	2	2	
E-6-10	12	HZY3-19294-000ZB	SPACER, R. RELIEF VALVE	1	1	*TGRAY* GRAY
E-6-10	13	HZY3-19295-000	COVER, R. RELIEF VALVE	1	1	
E-6-10	14	HZY3-19296-000	PACKING, RELIEF VALVE COVER	2	2	
E-6-10	15	HZW5-19297-000	PACKING, RELIEF VALVE	2	2	
E-6-10	16	HZW9-19297-000	PACKING, FLASH VALVE	1	1	
E-6-10	17	HZY3-19297-000	COVER, L. RELIEF VALVE	1	1	
E-6-10	18	HZY3-19298-000ZB	SPACER, L. RELIEF VALVE	1	1	*TGRAY* GRAY
E-6-10	19	HZY3-19361-000	COVER, R. WATER JACKET	1	1	
E-6-10	20	HZY3-19362-000	PACKING, WATER JACKET COVER	2	2	
E-6-10	21	HZY3-19366-000	COVER, L. WATER JACKET	1	1	
E-6-10	22	HZY3-23170-030ZA	CASE COMP., MOUNT	1	1	*NH8* DARK GRAY
E-6-10	23	HZY3-23172-003	GASKET, MOUNT CASE	1	1	
E-6-10	24	HZY3-23173-010	RUBBER, MOUNT CASE SEAL	1	1	
E-6-10	25	H371-90009-015	BOLT, FLANGE, 10X120(SATO)	1	1	
E-6-10	26	HZY3-90010-000	BOLT, HEX., 12X120	2	2	
E-6-10	27	HZY3-90011-000	BOLT, HEX., 12X65	1	1	
E-6-10	28	HZY3-90013-000	BOLT, HEX., 10X85	1	1	
E-6-10	29	HZY3-90015-000	BOLT, HEX., 10X60	2	2	

E-6-10

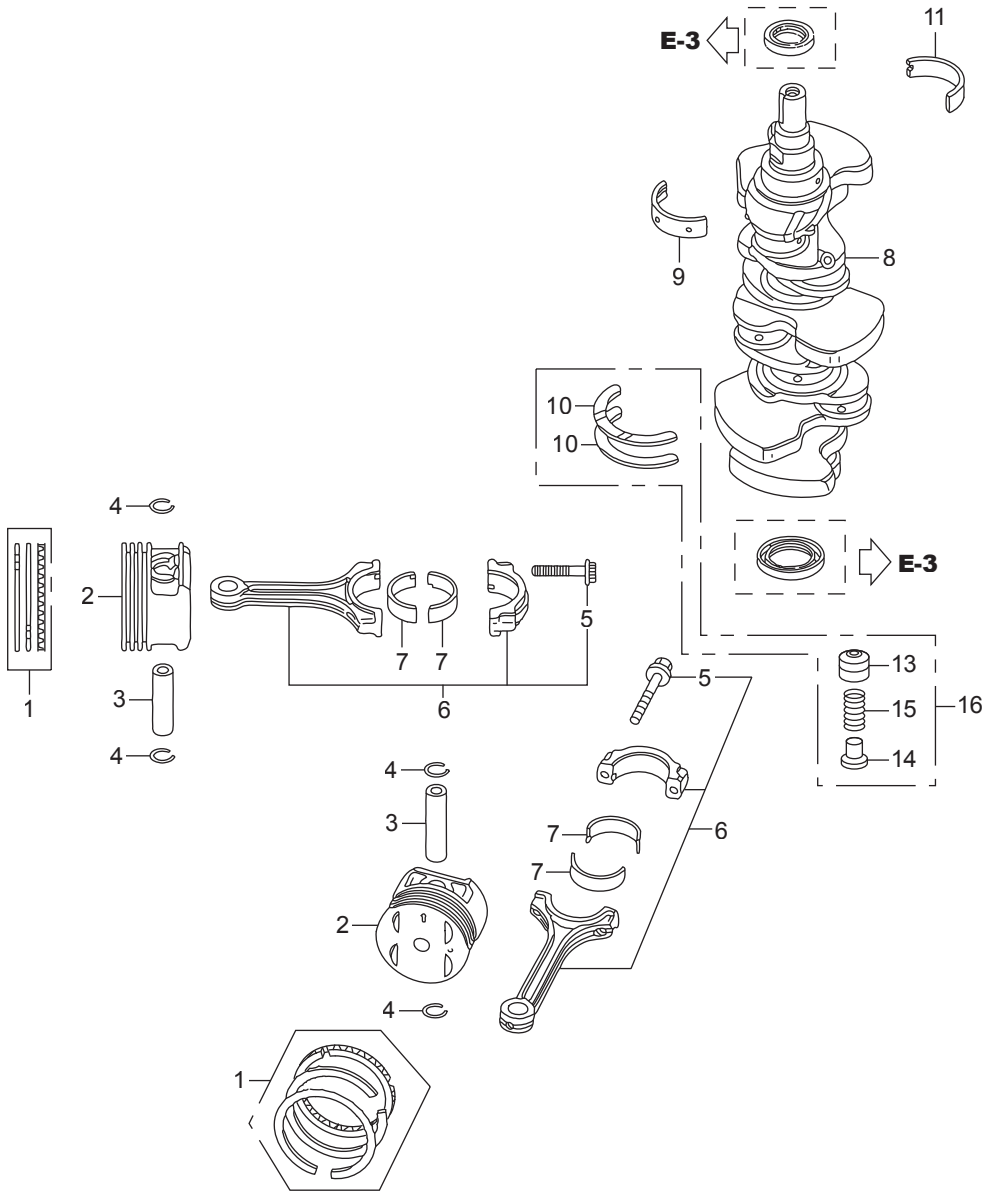
MOUNT CASE



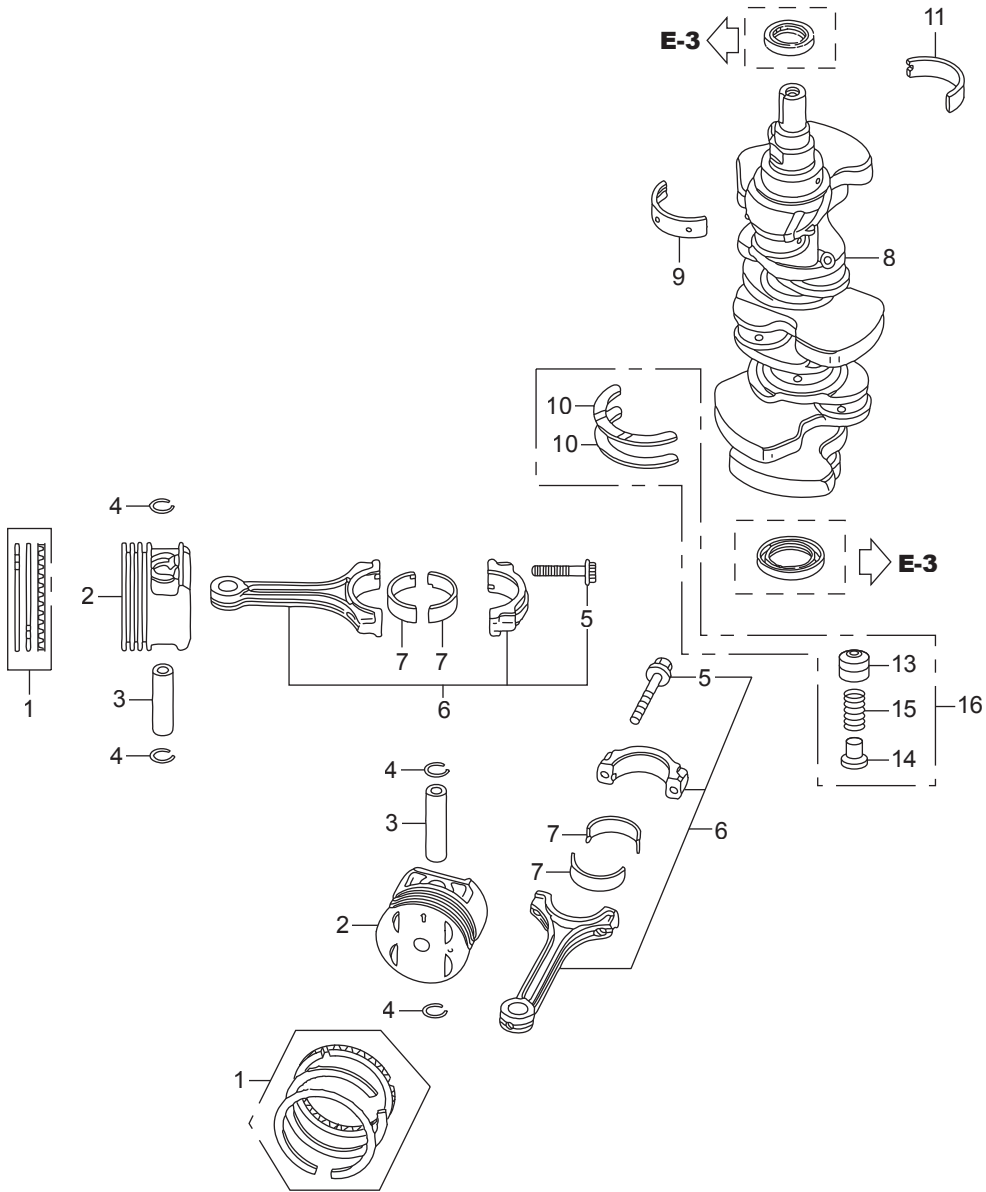
F-3-20

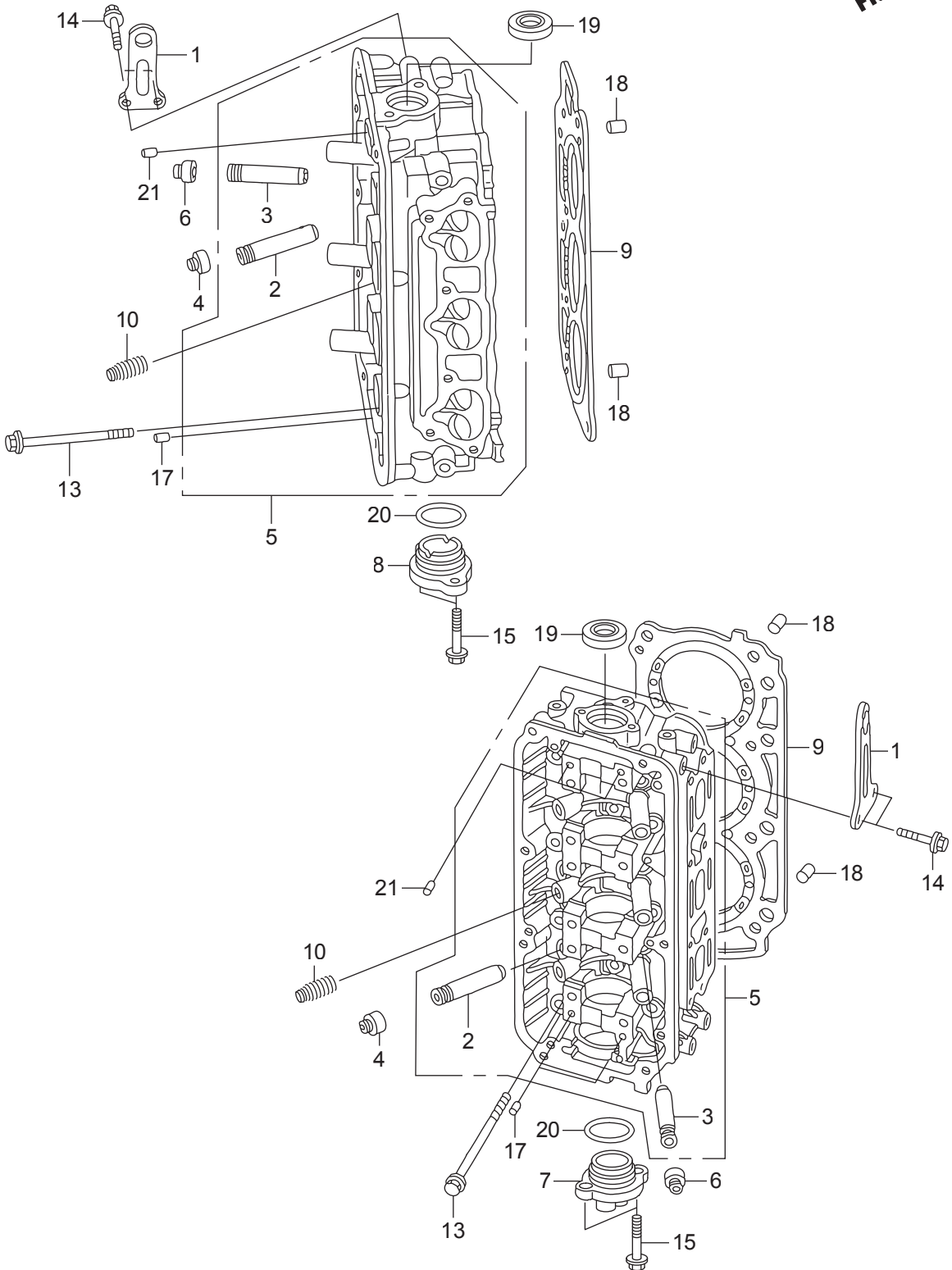


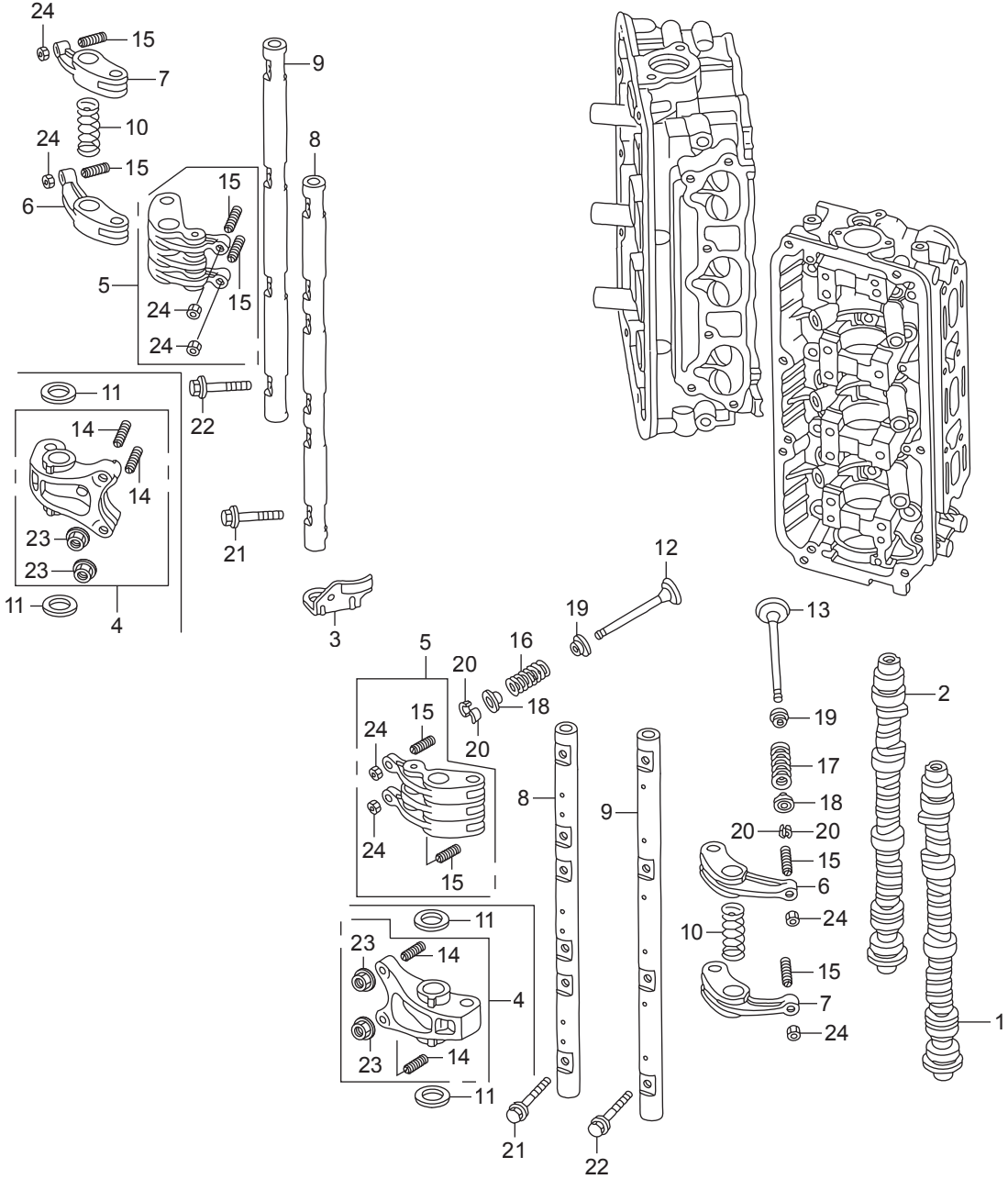
Ref.No.	Part No.	Description	Q' ty		Remarks	
			BFT200A	BFT225A		
E-6-10	30	HZY3-90030-000	BOLT, FLANGE, 6X22	2	2	
E-6-10	31	HZY3-90031-000	BOLT, FLANGE, 6X32	4	4	
E-6-10	32	HZY3-90045-000	BOLT, STUD, 10X45	2	2	
E-6-10	33	HZY3-90046-000	BOLT, FLANGE, 8X100	2	2	
E-6-10	34	HZY3-90047-000	BOLT, WASHER, 6X121	6	6	
E-6-10	35	HZY3-90049-000	BOLT, FLANGE, 8X30	4	4	
E-6-10	36	HZY3-90059-000	BOLT-WASHER, 6X29	1	1	
E-6-10	37	HHW1-90207-671	BOLT, FLANGE, 6X40	2	2	
E-6-10	38	HZV5-90559-000	WASHER, PLAIN, 12MM	3	3	
E-6-10	39	HZV5-90563-000	WASHER, PLAIN, 10MM	3	3	
E-6-10	40	HZV4-90603-000	CLIP, TUBE(B10)	1	1	
E-6-10	41	HZV4-90605-000	CLIP, TUBE(B12.5)	2	2	
E-6-10	42	HPW5-90701-000	DOWEL PIN, 14X15	1	1	
E-6-10	43	HZY3-91001-003	BEARING, NEEDLE, 20X28X13	1	1	(SOLID)
E-6-10	44	HZW5-91202-003	SEAL, WATER, 22X35X7	2	2	
E-6-10	45	H800-91303-000	O-RING, 16MM	1	1	
E-6-10	46	HZY3-91304-000	O-RING, 49.4X3.1	2	2	
E-6-10	47	HZY3-91305-003	O-RING, 33.5X2	2	2	
E-6-10	48	HZY3-91306-003	O-RING, 23.5X2	2	2	
E-6-10	49	HZY3-91404-000	TUBE, WATER CHECK	1	1	
E-6-10	50	HZY3-91405-000	TUBE, FLUSH VALVE	1	1	
E-6-10	51	HCO-94302-10160	PIN B, DOWEL, 10X16	1	1	
E-6-10	52	HCO-95701-10070-09	BOLT, FLANGE, 10X70	2	2	
E-6-10	53	HCO-95701-12120-09	BOLT, FLANGE, 12X120	2	2	



Ref.No.	Part No.	Description	Q' ty		Remarks	
			BFT200A	BFT225A		
E-7	1	HZY3-13010-A00	RING SET, PISTON(STD.)	6	6	
E-7	1	HZY3-13011-A00	RING SET, PISTON(0.25)	6	6	
E-7	2	HZY3-13101-A00	PISTON	6	6	
E-7	2	HZY3-13102-A00	PISTON(0.25)	6	6	
E-7	3	HPEA-13111-000	PIN, PISTON	6	6	
E-7	4	HP5A-13115-000	CLIP, PISTON PIN	12	12	
E-7	5	HP8A-13204-A01	BOLT, CONNECTING ROD	12	12	
E-7	6	HR70-13210-A10	ROD COMP., CONNECTING	6	6	
E-7	7	HP8F-13211-A11	BEARING A, CONNECTING ROD (BLACK)	12	12	(TAIHO)
E-7	7	HP8F-13212-A11	BEARING B, CONNECTING ROD (BROWN)	12	12	(TAIHO)
E-7	7	HP8F-13213-A11	BEARING C, CONNECTING ROD (GREEN)	12	12	(TAIHO)
E-7	7	HP8F-13214-A11	BEARING D, CONNECTING ROD (YELLOW)	12	12	(TAIHO)
E-7	7	HP8F-13215-A11	BEARING E, CONNECTING ROD (PINK)	12	12	(TAIHO)
E-7	8	HRGL-13310-A00	CRANKSHAFT COMP.	1	1	
E-7	9	HP8A-13321-A01	BEARING A, MAIN UPPER(BLACK)	4	4	(DAIDO)
E-7	9	HP8A-13322-A01	BEARING B, MAIN UPPER(BROWN)	4	4	(DAIDO)
E-7	9	HP8A-13323-A01	BEARING C, MAIN UPPER(GREEN)	4	4	(DAIDO)
E-7	9	HP8A-13324-A01	BEARING D, MAIN UPPER(YELLOW)	4	4	(DAIDO)
E-7	9	HP8A-13325-A01	BEARING E, MAIN UPPER(PINK)	4	4	(DAIDO)
E-7	9	HP8A-13326-A01	BEARING F, MAIN UPPER(RED)	4	4	(DAIDO)
E-7	10	HZY3-13331-A04	WASHER, THRUST	2		#1300393~ #6000037~
E-7	10	HZY3-13331-A04	WASHER, THRUST		2	#1300972~ #6000070~
E-7	11	HP8A-13341-A01	BEARING A, MAIN LOWER(BLACK)	4	4	(DAIDO)
E-7	11	HP8A-13342-A01	BEARING B, MAIN LOWER(BROWN)	4	4	(DAIDO)
E-7	11	HP8A-13343-A01	BEARING C, MAIN LOWER(GREEN)	4	4	(DAIDO)
E-7	11	HP8A-13344-A01	BEARING D, MAIN LOWER(YELLOW)	4	4	(DAIDO)
E-7	11	HP8A-13345-A01	BEARING E, MAIN LOWER(PINK)	4	4	(DAIDO)
E-7	11	HP8A-13346-A01	BEARING F, MAIN LOWER(RED)	4	4	(DAIDO)
E-7	13	HZY3-13391-000	RETAINER, SPRING	1		#1300393~ #6000037~

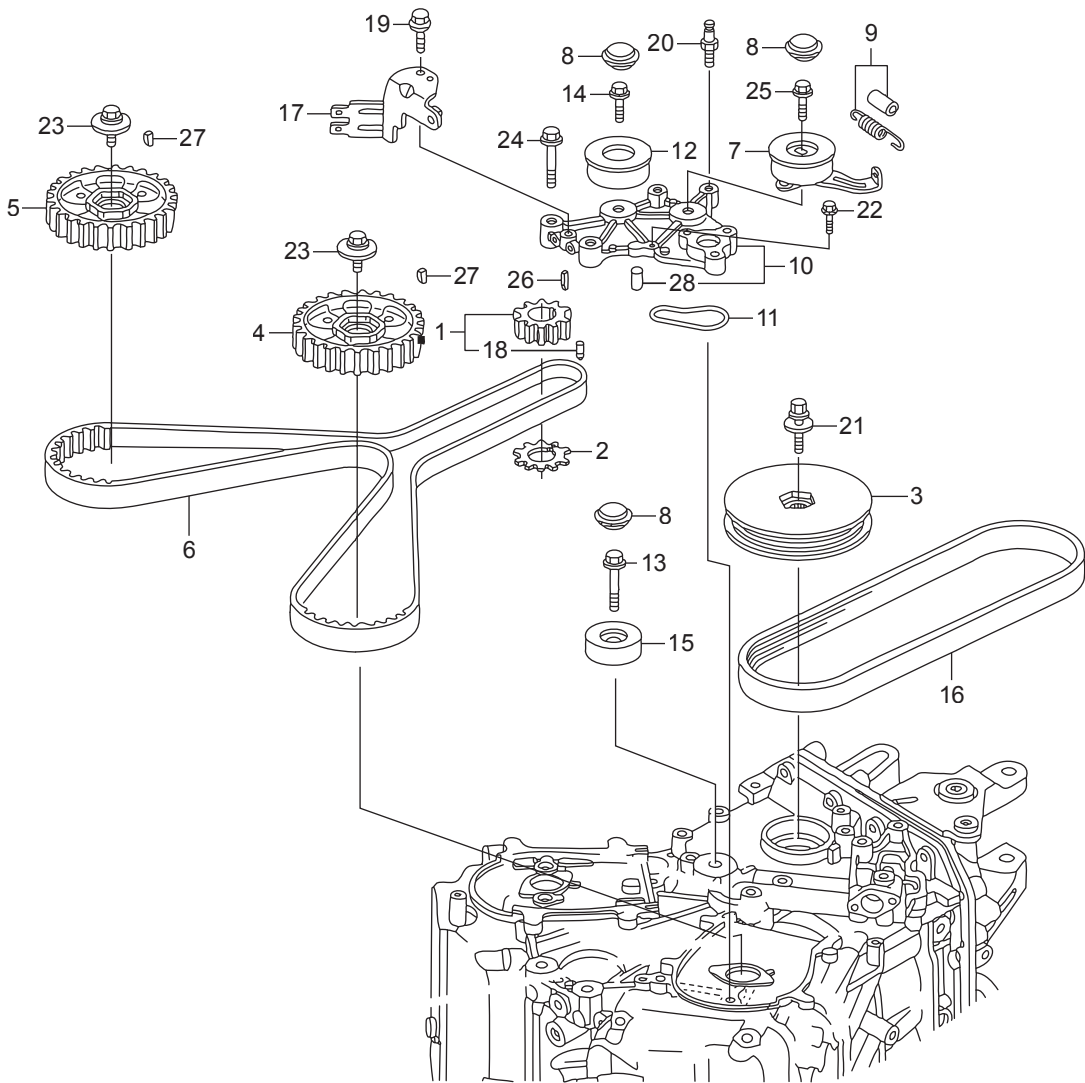






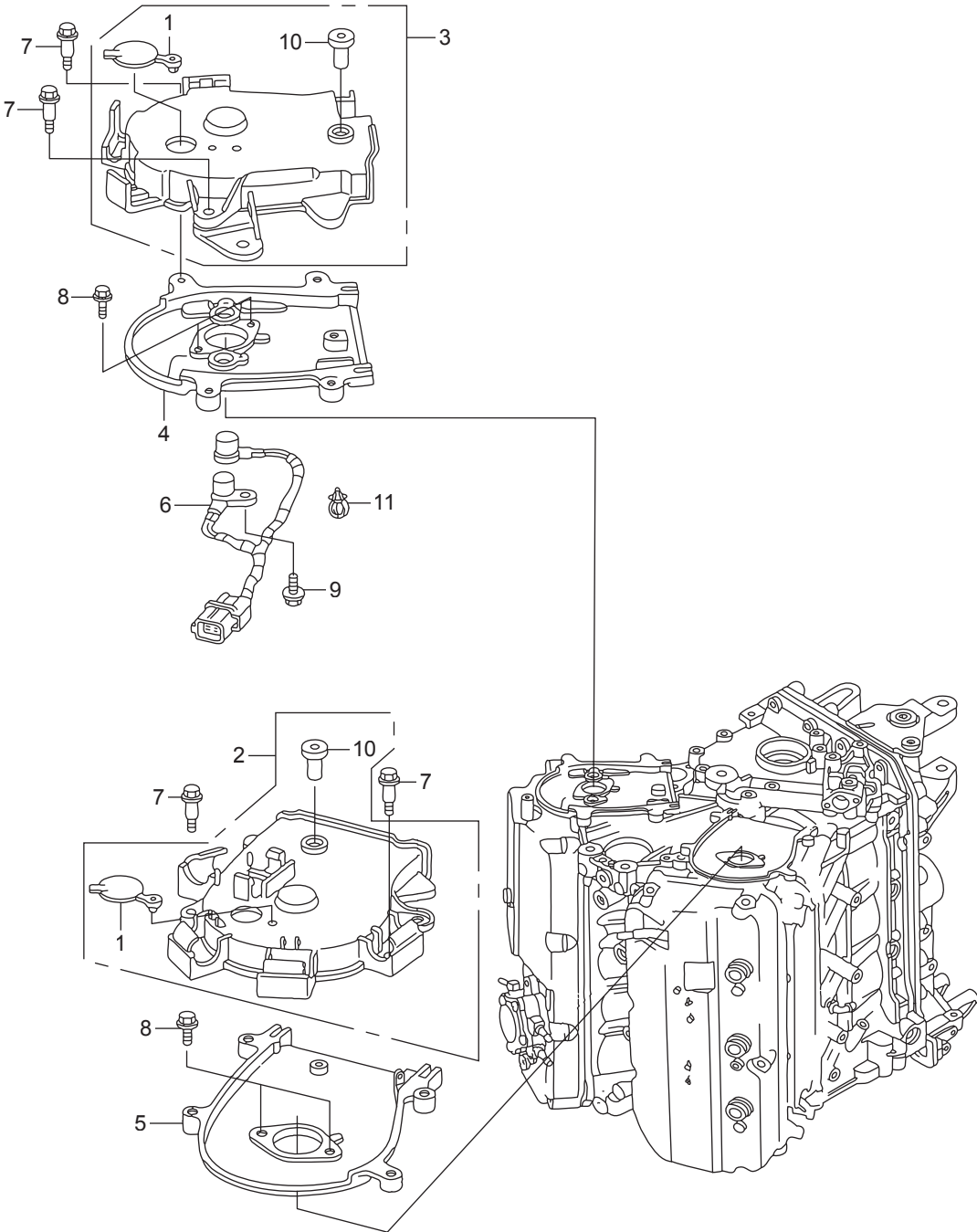
Ref.No.	Part No.	Description	Q' ty		Remarks
			BFT200A	BFT225A	
E-9-10	1	HZY2-14111-A00	CAMSHAFT, R.	1	
E-9-10	1	HZY3-14111-A00	CAMSHAFT, R.		1
E-9-10	2	HZY2-14211-A00	CAMSHAFT, L.	1	
E-9-10	2	HZY3-14211-A00	CAMSHAFT, L.		1
E-9-10	3	HZY3-14436-000	ARM, FUEL PUMP ROCKER	1	1
E-9-10	4	HRDV-14610-J00	ARM ASSY., FR. INTAKE ROCKER	6	
E-9-10	5	HP8A-14620-A01	ARM ASSY., INTAKE ROCKER		6
E-9-10	6	HP8A-14626-A00	ARM COMP. A, EX. ROCKER	6	6
E-9-10	7	HP8A-14627-A00	ARM COMP. B, EX. ROCKER	6	6
E-9-10	8	HRDV-14631-J00	SHAFT COMP., FR. INTAKE ROCKER ARM	2	
E-9-10	8	HP8A-14631-A00	SHAFT COMP., INTAKE ROCKER ARM		2
E-9-10	9	HRCA-14632-A00	SHAFT COMP., EX. ROCKER ARM	2	2
E-9-10	10	HP8A-14645-A01	SPRING, ROCKER ARM	6	6
E-9-10	11	HRDV-14646-J00	WASHER, THRUST	12	
E-9-10	12	HPXK-14711-000	VALVE, IN.	12	12
E-9-10	13	HRJA-14721-E00	VALVE, EX.	12	12
E-9-10	14	HPM3-14744-000	SCREW, TAPPET ADJUSTING	12	
E-9-10	15	HPT0-14744-004	SCREW, TAPPET ADJUSTING	12	24
E-9-10	16	HP8E-14761-A01	SPRING, IN. VALVE(GRAY)	12	12 (NIPPON HATSUJO)
E-9-10	17	HP8E-14762-A01	SPRING, EX. VALVE (YELLOW GREEN)	12	12
E-9-10	18	HRDV-14765-J00	RETAINER, VALVE SPRING	24	24
E-9-10	19	HPM3-14775-000	SEAT, VALVE SPRING	24	24
E-9-10	20	HRGM-14781-A01	COTTER, VALVE(FUJI VALVE)	48	48
E-9-10	21	HP8A-90003-A00	BOLT, FLANGE, 8X30	12	12
E-9-10	22	HP8A-90004-A00	BOLT, FLANGE, 8X40	8	8
E-9-10	23	HPM3-90206-004	NUT, TAPPET ADJUSTING	12	(TOKAI TRW)
E-9-10	24	HPT0-90206-004	NUT, TAPPET ADJUSTING	12	24

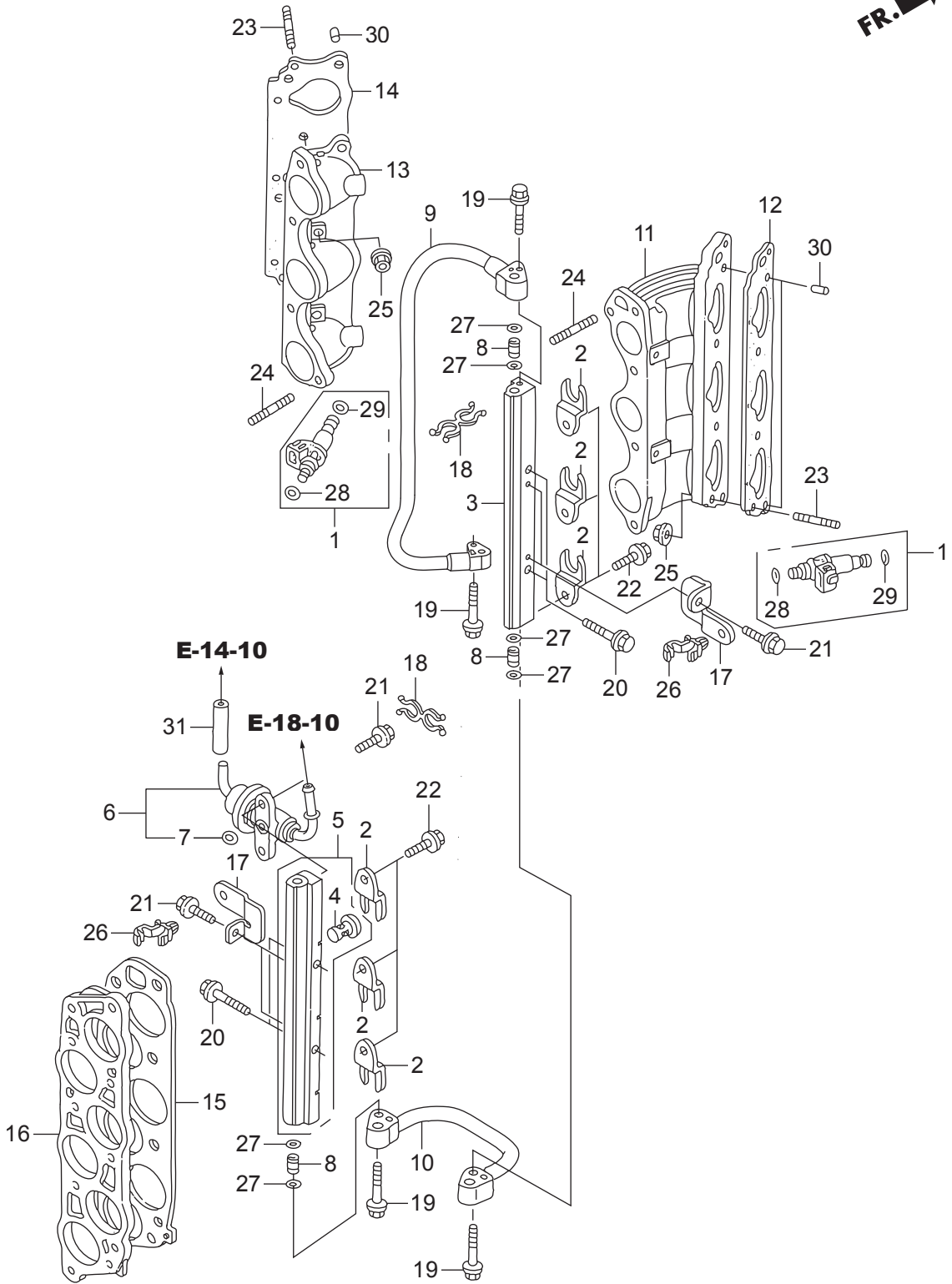
FR. 



Ref.No.	Part No.	Description	Q' ty		Remarks	
			BFT200A	BFT225A		
E-13	1	HZY3-13621-C01	PULLEY, TIMING BELT DRIVE	1	1	
E-13	2	HZY3-13622-C00	PLATE, TIMING BELT GUIDE	1	1	
E-13	3	HZY3-13811-A00	PULLEY, CRANKSHAFT	1	1	
E-13	4	HZY3-14261-C00	PULLEY COMP., R. TIMING BELT DRIVEN	1	1	
E-13	5	HZY3-14270-C00	PULLEY COMP., L. TIMING BELT DRIVEN	1	1	
E-13	6	HP8A-14400-A01	BELT, TIMING(197YU26 B-333)	1	1	
E-13	7	HZY3-14510-003	TENSIONER COMP., TIMING BELT	1	1	
E-13	8	HZY3-14515-000	CAP, TIMING BELT TENSIONER	3	3	
E-13	9	HZY3-14520-000	SPRING COMP., TIMING BELT ADJUSTING	1	1	
E-13	10	HZY3-14526-405ZA	BASE COMP., TIMING BELT TENSIONER	1	1	*NH8* DARK GRAY
E-13	11	HZY3-14529-000	O-RING, TIMING BELT TENSIONER BASE	1	1	
E-13	12	HZY3-14550-003	IDLER, TIMING BELT(KOYO SEIKO)	1	1	
E-13	13	HP8A-14551-A01	BOLT, IDLER	1	1	
E-13	14	HZY3-14553-003	BOLT, TIMING BELT IDLER A	1	1	
E-13	15	HZY3-14555-003	IDLER B, TIMING BELT	1	1	
E-13	16	HZY3-31638-003	BELT, A.C. GENERATOR	1	1	(6PK745 M-180)
E-13	17	HZY3-32111-010	BRACKET, COUPLER D	1	1	
E-13	18	HZV0-41122-000	PIN, VERTICAL SHAFT	1	1	
E-13	19	HZW9-90011-000	BOLT, FLANGE, 6X14(CT200)	1	1	
E-13	20	HZV5-90012-013	BOLT, TIMING BELT ADJUSTING SPRING	1	1	
E-13	21	HRJA-90017-003	BOLT-WASHER, 16X49	1	1	
E-13	22	HZY3-90030-000	BOLT, FLANGE, 6X22	1	1	
E-13	23	HP8A-90031-A01	BOLT-WASHER, 12X35	2	2	
E-13	24	HZY3-90039-000	BOLT, FLANGE, 10X40	3	3	
E-13	25	HZY3-90040-000	BOLT, FLANGE, 10X43	1	1	
E-13	26	HRCA-90704-A00	KEY, 4.5X24	1	1	
E-13	27	HZY3-90741-000	KEY, SPECIAL	2	2	
E-13	28	HCO-94301-06100	DOWEL PIN, 6X10	1	1	

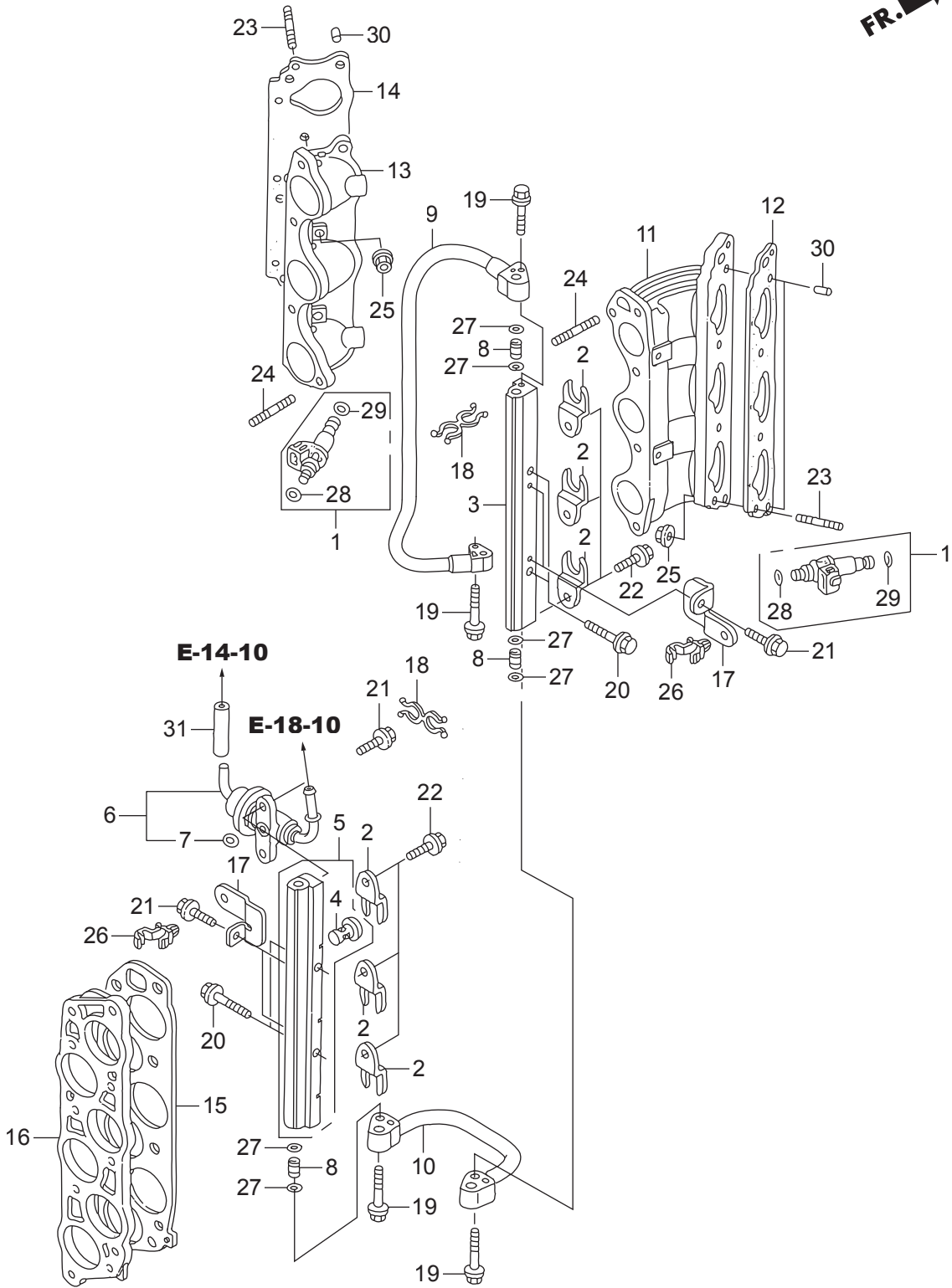
FR. 

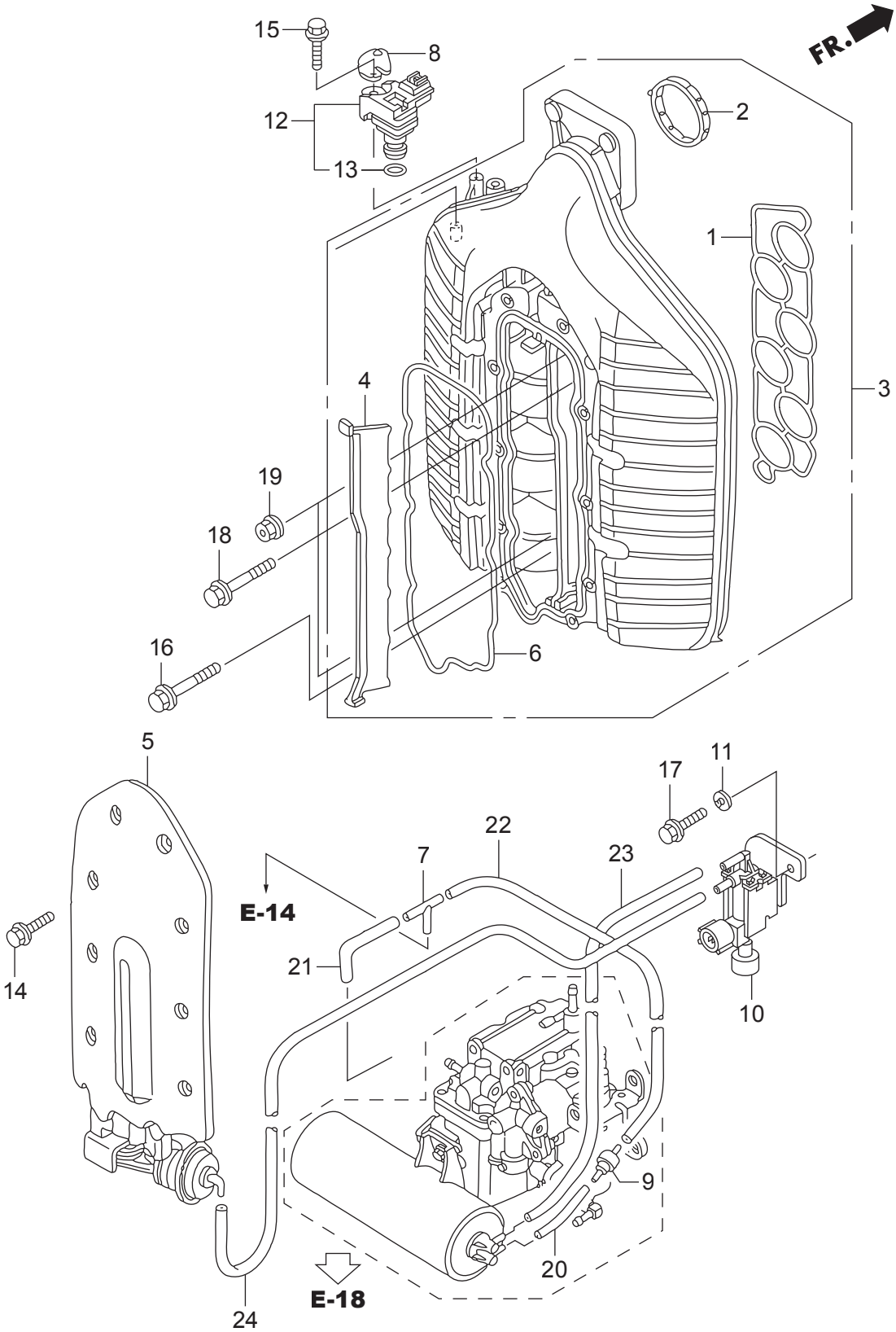




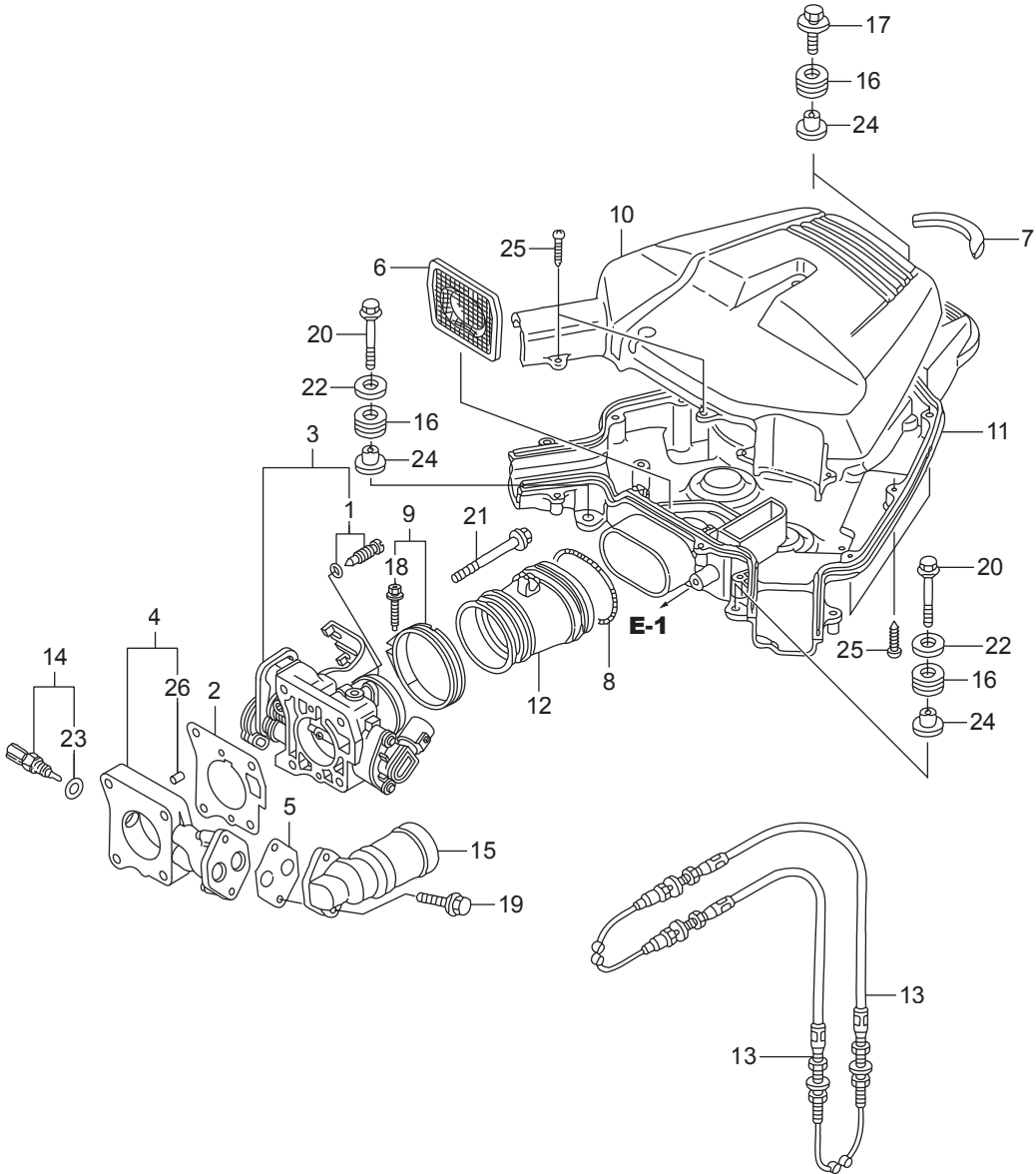
Ref.No.	Part No.	Description	Q' ty		Remarks	
			BFT200A	BFT225A		
E-14	1	HZY6-16450-003	INJECTOR ASSY., FUEL	6	6	
E-14	2	HZY3-16451-000	CLIP, INJECTOR	6	6	
E-14	3	HZY3-16611-A00	PIPE, R. FUEL	1	1	
E-14	4	HP5G-16614-003	MESH, FUEL FILTER	1	1	
E-14	5	HZY3-16620-A00	PIPE COMP., L. FUEL	1	1	
E-14	6	HZY3-16740-A01	REGULATOR ASSY., PRESSURE	1	1	
E-14	7	HPG7-16741-005	O-RING, PRESSURE REGULATOR	1	1	
E-14	8	HZY3-16752-A00	JOINT, FUEL PIPE	3	3	
E-14	9	HZY3-16755-003	HOSE COMP., FUEL	1	1	
E-14	10	HZY3-16757-003	HOSE COMP., FUEL JOINT	1	1	
E-14	11	HZY3-17051-A00	BASE, R. INJECTOR	1	1	
E-14	12	HRCA-17055-A01	GASKET, FR. INJECTOR BASE	1	1	
E-14	13	HZY3-17061-A00	BASE, L. INJECTOR	1	1	
E-14	14	HRCA-17065-A01	GASKET, RR. INJECTOR BASE	1	1	
E-14	15	HP8E-17105-A01	GASKET, INTAKE MANIFOLD	1	1	
E-14	16	HZY3-17108-000	SPACER, INTAKE MANIFOLD	1	1	
E-14	17	HZY3-32112-000	BRACKET, HARNESS CLIP A	4	4	
E-14	18	HSJ6-78419-003	CLIP D, SPEEDOMETER CABLE	2	2	
E-14	19	HZW9-90016-000	BOLT, FLANGE, 6X25	4	4	
E-14	20	HZW9-90019-000	BOLT, FLANGE, 6X35	4	4	
E-14	21	HZY3-90021-000	BOLT, FLANGE, 6X14	6	6	
E-14	22	HZY3-90042-000	BOLT, FLANGE, 6X10	6	6	
E-14	23	HZY3-90043-000	BOLT, STUD, 8X28	8	8	
E-14	24	HZY3-90044-000	BOLT, STUD, 8X45	2	2	
E-14	25	HZY3-90205-000	NUT, FLANGE, 8MM	8	8	
E-14	26	HSB2-90650-003	CLIP, WIRE HARNESS, 10MM	4	4	
E-14	27	HMJ0-91301-003	O-RING, 7.8X1.9(ARAI)	6	6	
E-14	28	HPLC-91301-000	O-RING, 7.47X3.6	6	6	
E-14	29	HPNA-91302-003	O-RING, 7.45X3.61(NOK)	6	6	

FR. 

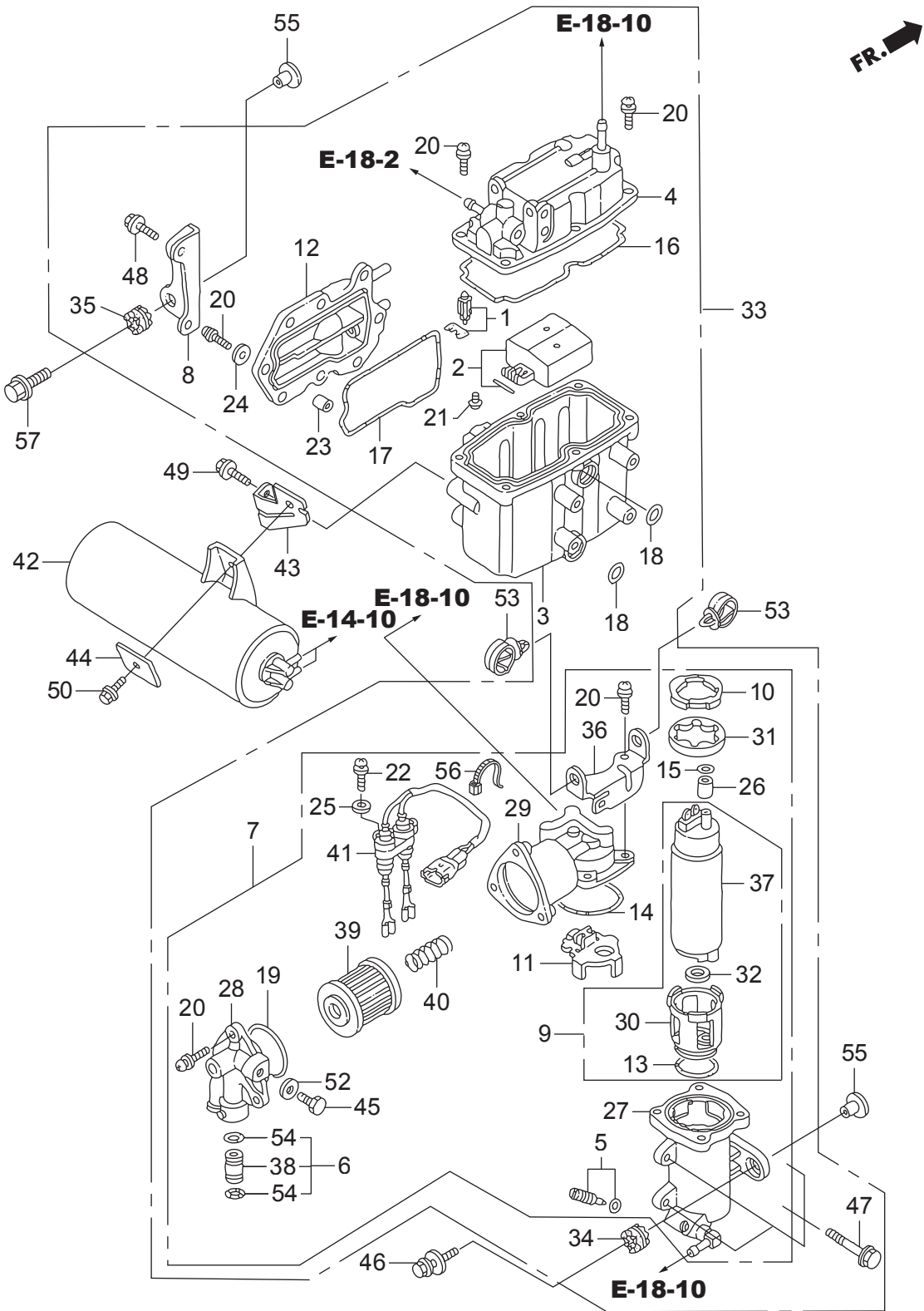




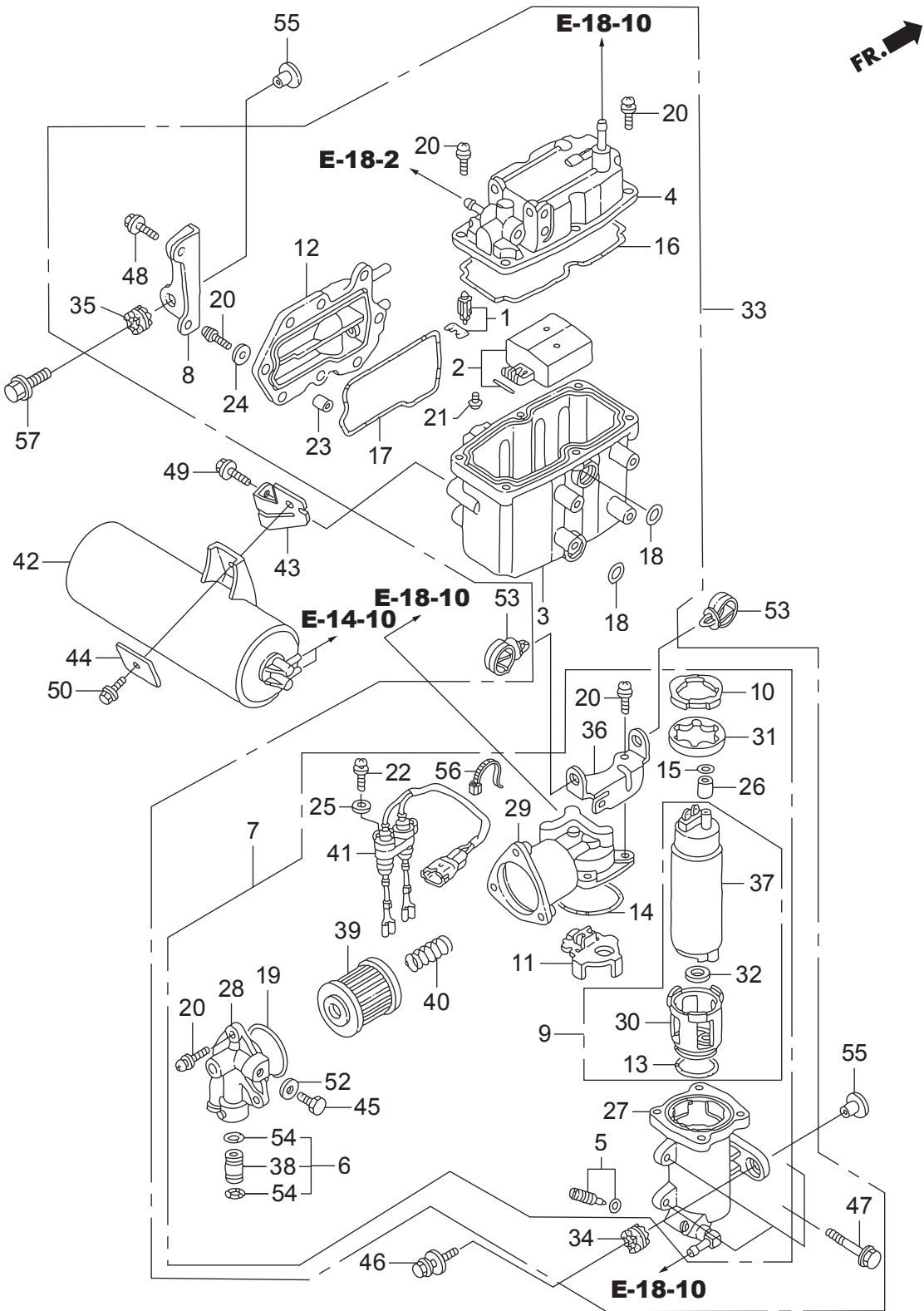
Ref.No.	Part No.	Description	Q' ty		Remarks	
			BFT200A	BFT225A		
E-14-10	1	HZY3-17105-004	GASKET, INTAKE MANIFOLD	1	1	
E-14-10	2	HZY3-17109-004	PACKING, THROTTLE BODY	1	1	
E-14-10	3	HZY3-17110-003	MANIFOLD COMP., INTAKE	1	1	
E-14-10	4	HZY3-17113-003	PLATE, INTAKE MANIFOLD CENTER	1	1	
E-14-10	5	HZY3-17130-003ZA	COVER COMP., INTAKE MANIFOLD	1	1	*NH8* DARK GRAY
E-14-10	6	HZY3-17138-004	PACKING, INTAKE MANIFOLD UP COVER	1	1	
E-14-10	7	HMG9-17201-000	JOINT A, VACUUM TUBE	1	1	
E-14-10	8	HZY3-32128-000	BRACKET, SENSOR CORD	1	1	
E-14-10	9	HPM4-36145-004	VALVE, CHECK	1	1	
E-14-10	10	HZY3-36163-003	VALVE ASSY., AIR BYPASS	1	1	
E-14-10	11	HP8D-36165-J00	WASHER, CONICAL SPRING(5)	1	1	
E-14-10	12	HRNA-37830-A01	SENSOR ASSY., MAP	1	1	
E-14-10	13	HPGK-37835-A01	O-RING	1	1	
E-14-10	14	HZY3-90023-000	BOLT, FLANGE, 6X22	10	10	
E-14-10	15	HZY3-90029-000	BOLT-WASHER, 5X18	1	1	
E-14-10	16	HZY3-90031-000	BOLT, FLANGE, 6X32	1	1	
E-14-10	17	HZY3-90058-000	BOLT, FLANGE, 5X10	1	1	
E-14-10	18	HZW4-90156-000	BOLT, FLANGE, 8X50	7	7	
E-14-10	19	HZY3-90205-000	NUT, FLANGE, 8MM	2	2	
E-14-10	20	HCO-95001-35040-40	TUBE, FUEL, 3.5X40	1	1	(HC-95001-35001-60M)
E-14-10	21	HCO-95001-35130-40	TUBE, FUEL, 3.5X130	1	1	(HC-95001-35001-60M)
E-14-10	22	HCO-95001-35540-40	TUBE, FUEL, 3.5X540	1	1	(HC-95001-35001-60M)
E-14-10	23	HCO-95001-35590-60	TUBE, FUEL, 3.5X590	1	1	(HC-95001-35001-60M)
E-14-10	24	HCO-95001-35600-40	TUBE, FUEL, 3.5X600	1	1	(HC-95001-35001-60M)



Ref.No.	Part No.	Description	Q' ty		Remarks	
			BFT200A	BFT225A		
E-15	1	HZY3-16016-003	SCREW SET	1	1	
E-15	2	HZY3-16176-000	GASKET, THROTTLE BODY	1	1	
E-15	3	HZY3-16400-A01	THROTTLE BODY ASSY.	1	1	
E-15	4	HZY3-16404-000	SPACER, THROTTLE BODY	1	1	
E-15	5	HZY3-16405-000	GASKET, EAC VALVE	1	1	
E-15	6	HZY3-17203-000	TRAP, FLAME	1	1	
E-15	7	HZY3-17207-300	RUBBER, SEAL SILENCER	1	1	
E-15	8	HPY3-17249-000	SPRING, AIR FLOW TUBE	1	1	
E-15	9	HZY9-17315-000	BAND, AIR FLOW	1	1	
E-15	10	HZY3-17372-000	CASE A, SILENCER	1	1	
E-15	11	HZY3-17373-010	CASE B, SILENCER	1	1	
E-15	12	HZY3-17374-010	GROMMET, SILENCER	1	1	
E-15	13	HZY3-17910-013	CABLE COMP., THROTTLE	2	2	
E-15	14	HZW5-35665-003	SENSOR ASSY., AIR TEMP	1	1	
E-15	15	HZY3-36550-003	VALVE ASSY., EAC	1	1	
E-15	16	HZV5-40102-000	GROMMET, UNDER CASE	4	4	
E-15	17	HZW1-90013-000	BOLT-WASHER, 6X25	2	2	
E-15	18	HZY9-90017-000	BOLT-WASHER, 5X30	1	1	
E-15	19	HZY3-90030-000	BOLT, FLANGE, 6X22	2	2	
E-15	20	HZY3-90034-000	BOLT, FLANGE, 6X60	2	2	
E-15	21	HZY3-90037-000	BOLT, FLANGE, 8X65	4	4	
E-15	22	HZY3-90508-000	WASHER, PLAIN, 6MM	2	2	
E-15	23	HP0A-91303-A02	O-RING	1	1	
E-15	24	HZV5-91553-010	COLLAR, C.D.I. UNIT CASE	4	4	
E-15	25	HCO-93903-254G0	SCREW, TAPPING, 5X20	15	15	
E-15	26	HCO-94301-06100	DOWEL PIN, 6X10	2	2	

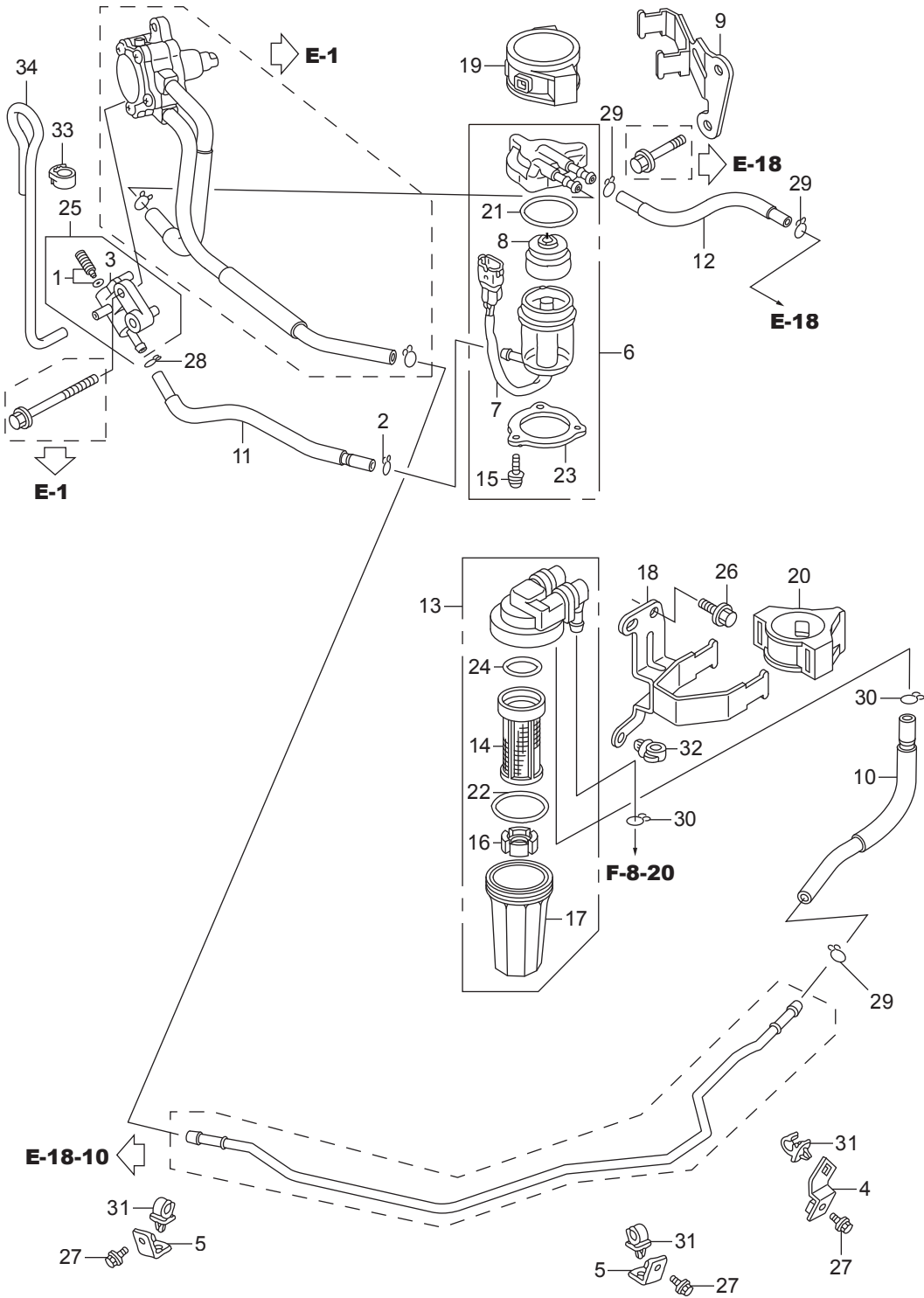


Ref.No.	Part No.	Description	Q' ty		Remarks	
			BFT200A	BFT225A		
E-18	1	HZY3-16011-A01	VALVE SET, FLOAT	1	1	
E-18	2	HZY3-16013-000	FLOAT SET	1	1	
E-18	3	HZY3-16015-000	BODY	1	1	
E-18	4	HZX2-16020-003	COVER COMP.	1	1	
E-18	5	HZY3-16024-000	SCREW SET, DRAIN	1	1	
E-18	6	HZY3-16026-000	JOINT SET	1	1	
E-18	7	HZX2-16030-003	PUMP UNIT SET A, FUEL	1	1	
E-18	8	HZY3-16031-010	STAY, PLATE	1	1	
E-18	9	HZY3-16036-003	PUMP UNIT SET B, FUEL	1	1	
E-18	10	HZY3-16041-000	PLATE	1	1	
E-18	11	HZY3-16042-000	HOLDER	1	1	
E-18	12	HZY3-16061-000	COVER, WATER JACKET	1	1	
E-18	13	HZY3-16072-000	O-RING	1	1	
E-18	14	HZY3-16073-000	O-RING	1	1	
E-18	15	HZY3-16074-000	O-RING	1	1	
E-18	16	HZY3-16075-000	O-RING	1	1	
E-18	17	HZY3-16076-000	O-RING	1	1	
E-18	18	HZY3-16077-000	O-RING	2	2	
E-18	19	HZY3-16078-000	O-RING	1	1	
E-18	20	HZW5-16081-010	SCREW-WASHER	21	21	
E-18	21	HZY3-16082-000	SCREW, PAN	2	2	
E-18	22	HZY3-16083-000	SCREW, WASHER	1	1	
E-18	23	HZW5-16086-000	COLLAR	8	8	
E-18	24	HZW5-16087-000	WASHER, PLAIN	8	8	
E-18	25	HZY3-16087-000	WASHER, PLAIN	1	1	
E-18	26	HZY3-16088-000	COLLAR	1	1	
E-18	27	HZX2-16701-003	CASE COMP., PUMP	1	1	
E-18	28	HZY3-16708-000	COVER, PUMP	1	1	
E-18	29	HZW5-16715-023	COVER, PUMP(A)	1	1	



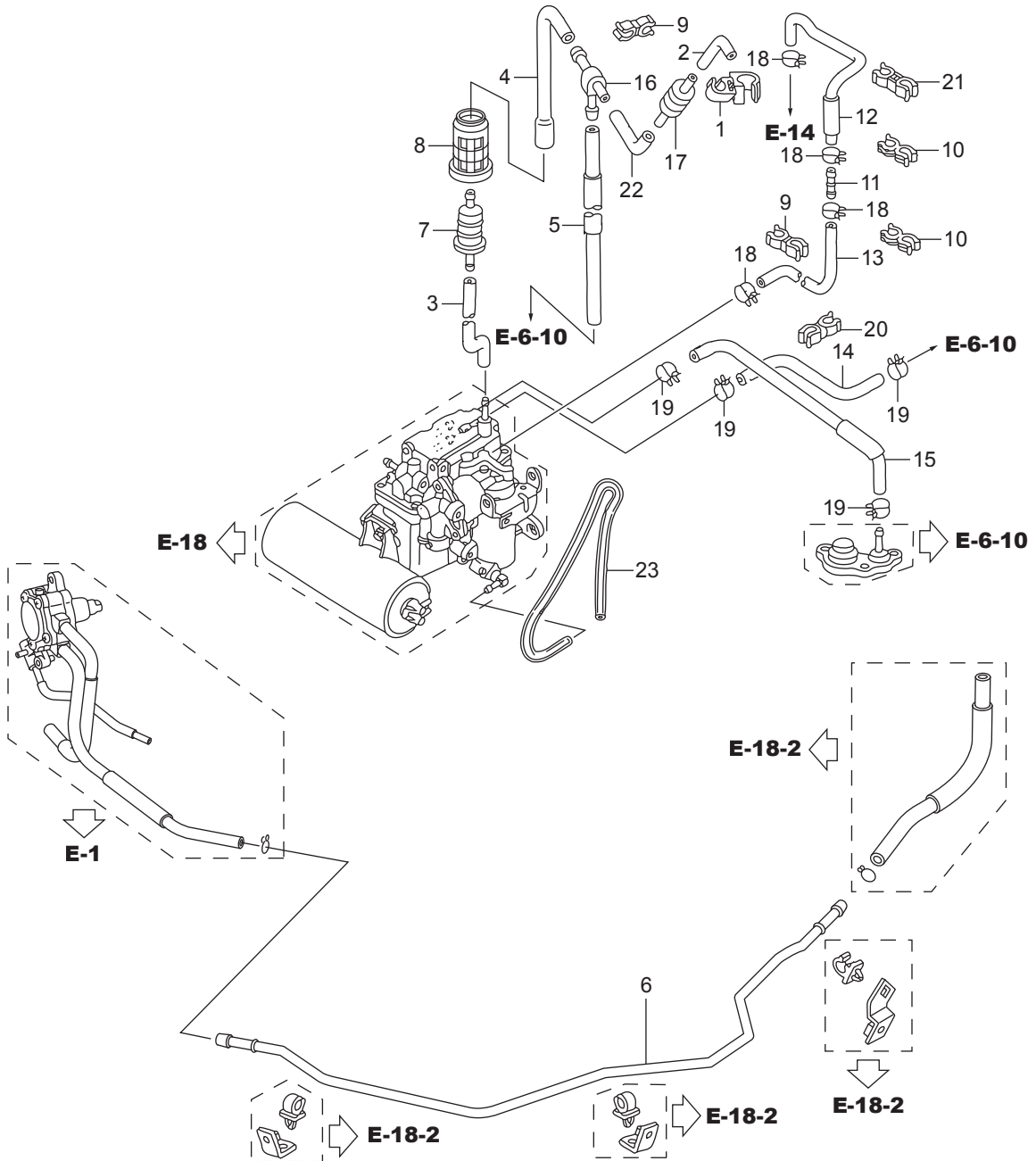
Ref.No.	Part No.	Description	Q' ty		Remarks	
			BFT200A	BFT225A		
E-18	30	HZY6-16718-013	INSULATOR COMP.	1	1	
E-18	31	HZY3-16721-000	INSULATOR	1	1	
E-18	32	HZY6-16723-003	RING	1	1	
E-18	33	HZX2-16730-003	SEPARATOR ASSY., VAPOR	1	1	
E-18	34	HZW5-16733-000	GROMMET, VAPOR SEPARATOR	1	1	
E-18	35	HZY3-16733-000	GROMMET, VAPOR SEPARATOR	2	2	
E-18	36	HZY3-16734-000	STAY, PLATE	1	1	
E-18	37	HZY3-16735-004	PUMP UNIT, FUEL	1	1	
E-18	38	HZY3-16752-000	JOINT, FUEL PIPE	1	1	
E-18	39	HZY3-16911-010	SCREEN COMP., FUEL STRAINER	1	1	
E-18	40	HZY3-16913-000	SPRING, SET	1	1	
E-18	41	HZX2-32166-003	HARNESS COMP.	1	1	
E-18	42	HPR7-36361-A01	TANK COMP., VACUUM	1	1	
E-18	43	HZY3-36362-000	STAY, VACUUM TANK	1	1	
E-18	44	HZY3-36620-000	PLATE	1	1	
E-18	45	HPP4-90009-E01	BOLT, SEALING, 6MM	1	1	
E-18	46	HZW1-90014-000	BOLT-WASHER, 8X35	1	1	
E-18	47	HZW9-90016-000	BOLT, FLANGE, 6X25	4	4	
E-18	48	HZY3-90017-000	BOLT, FLANGE, 6X16	2	2	
E-18	49	HZY3-90021-000	BOLT, FLANGE, 6X14	2	2	
E-18	50	HZY3-90050-000	BOLT, FLANGE, 6X12	1	1	
E-18	52	HPD6-90430-003	WASHER, SEALING, 6MM	1	1	
E-18	53	HZB7-90691-003	CLIP, HARNESS	2	2	
E-18	54	HMJ0-91301-003	O-RING, 7.8X1.9(ARAI)	2	2	
E-18	55	HZW1-91554-000	COLLAR, 8.5X14.5	3	3	
E-18	56	HZW5-32168-003	BAND	1	1	
E-18	57	HZY3-90054-000	BOLT, FLANGE, 8X35	2	2	

FR. →



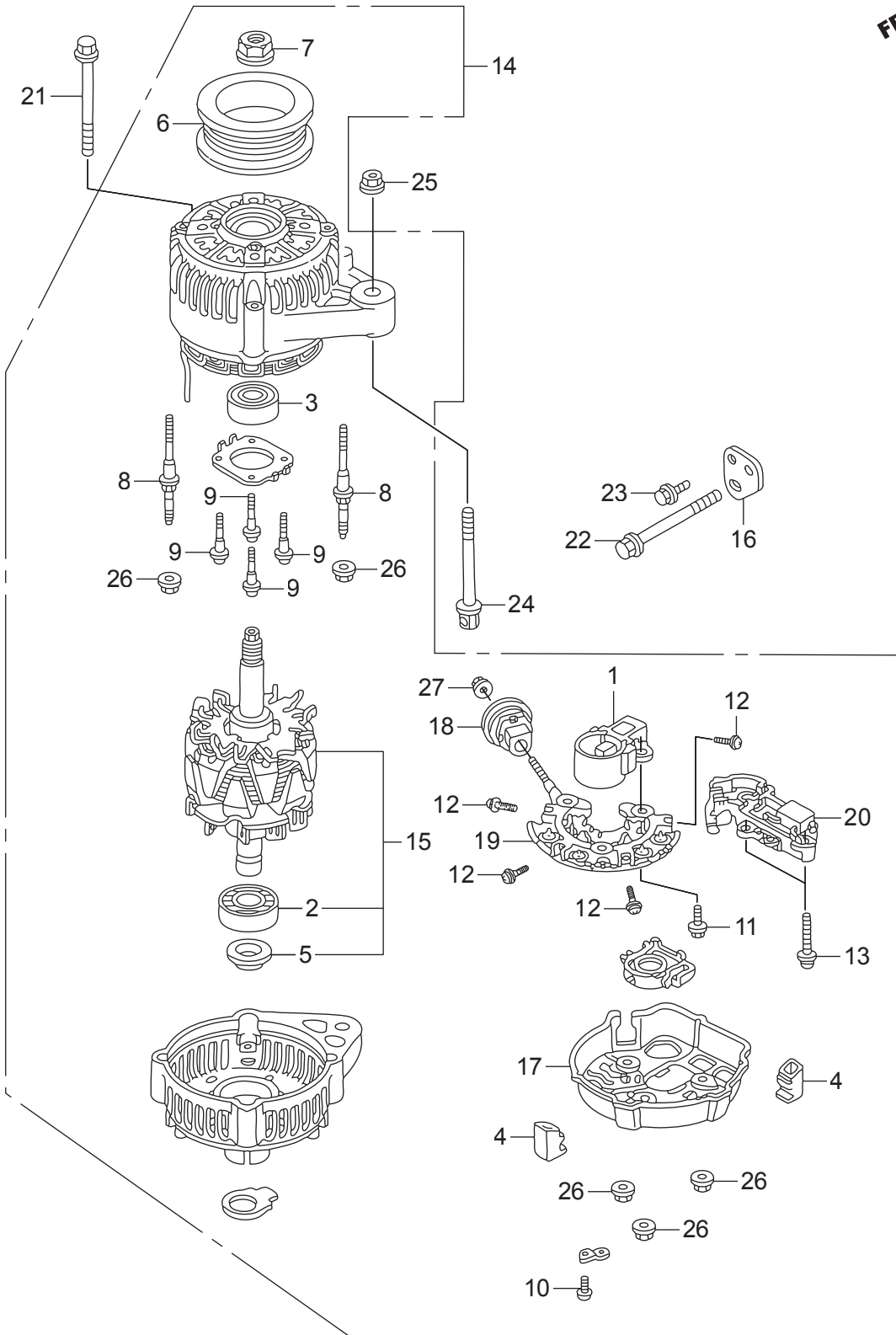
Ref.No.	Part No.	Description	Q' ty		Remarks	
			BFT200A	BFT225A		
E-18-2	1	HZX2-16024-003	SCREW SET, DRAIN	1	1	
E-18-2	2	HGHB-16163-600	CLIP, TUBE	1	1	
E-18-2	3	HZX2-16736-003	STAY COMP.	1	1	
E-18-2	4	HZY3-16753-000	STAY, FUEL PIPE A	1	1	
E-18-2	5	HZY3-16754-000	STAY, FUEL PIPE B	2	2	
E-18-2	6	HZX2-16800-003	SEPARATOR ASSY., WATER	1	1	
E-18-2	7	HZX2-16805-003	CUP SET, WATER SEPARATOR	1	1	
E-18-2	8	HZY3-16807-003	BUFFER, PLATE	1	1	
E-18-2	9	HZX2-16814-000	STAY, WATER SEPARATOR	1	1	
E-18-2	10	HZX2-16860-C00	TUBE COMP. B, FUEL	1	1	
E-18-2	11	HZX2-16880-C00	TUBE COMP. D, FUEL	1	1	
E-18-2	12	HZX2-16890-C00	TUBE COMP. E, FUEL	1	1	
E-18-2	13	HZX2-16900-003	STRAINER ASSY., FUEL	1	1	
E-18-2	14	HZZ5-16901-003	FILTER	1	1	
E-18-2	15	HZY3-16904-003	SCREW, PAN, 5X12	3	3	
E-18-2	16	HZZ5-16906-003	FLOAT	1	1	
E-18-2	17	HZX2-16912-003	CUP	1	1	
E-18-2	18	HZX2-16914-000	STAY, FUEL STRAINER	1	1	
E-18-2	19	HZY3-16915-010	SUSPENSION, STRAINER	1	1	
E-18-2	20	HZZ5-16915-000	SUSPENSION, STRAINER	1	1	
E-18-2	21	HZY3-16918-003	O-RING	1	1	
E-18-2	22	HZZ5-16918-003	O-RING	1	1	
E-18-2	23	HZY3-16919-003	PLATE	1	1	
E-18-2	24	HZZ5-16919-003	O-RING	1	1	
E-18-2	25	HZX2-16940-003	COCK ASSY., FUEL DRAIN	1	1	
E-18-2	26	HZW9-90014-000	BOLT, FLANGE, 6X10	2	2	
E-18-2	27	HZY3-90056-000	BOLT, FLANGE, 6X12	3	3	
E-18-2	28	H921-90602-000	CLIP, TUBE(B8)	1	1	
E-18-2	29	HZV0-90604-000	CLIP, TUBE(B12)	3	3	

FR. →

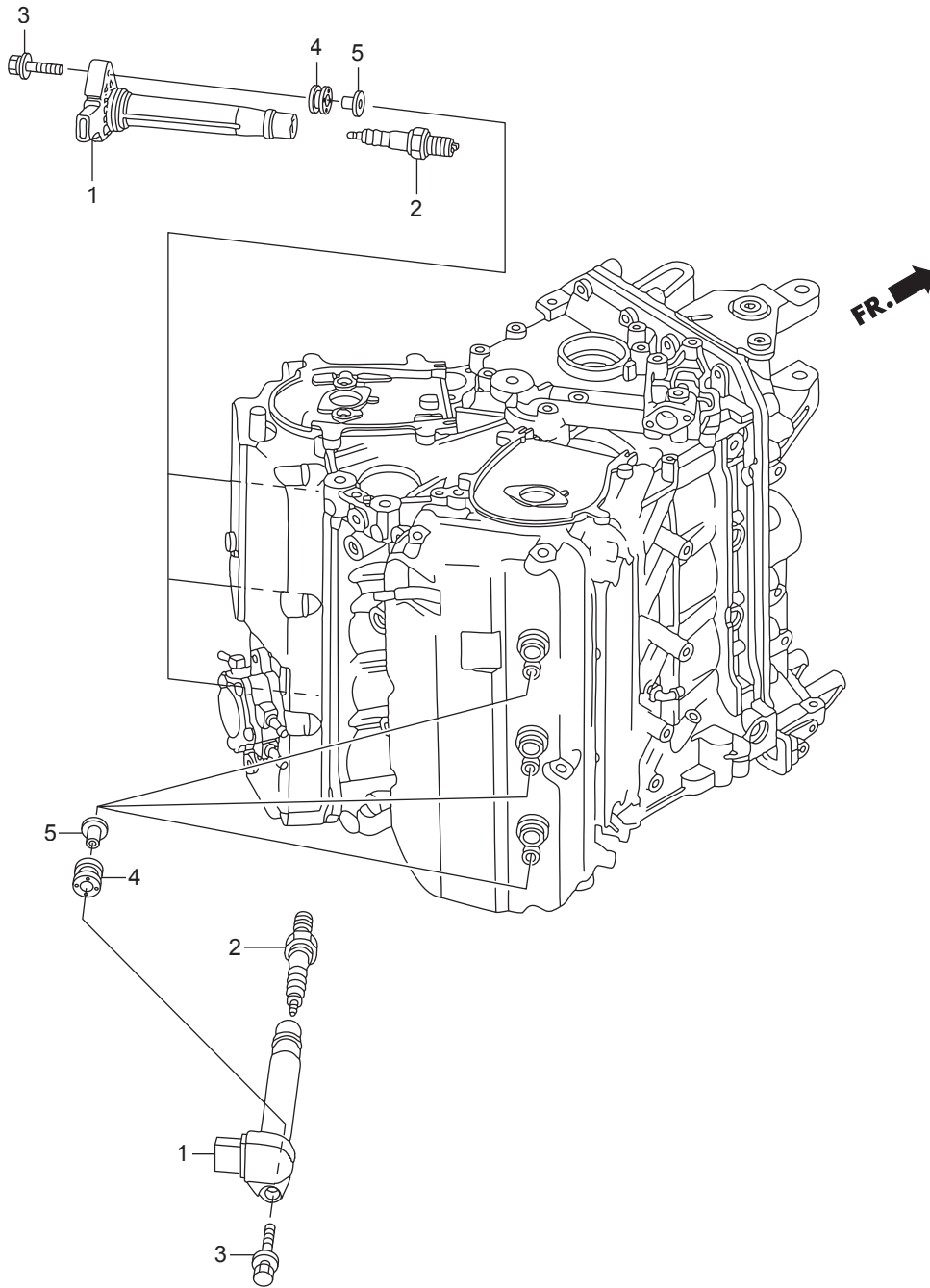


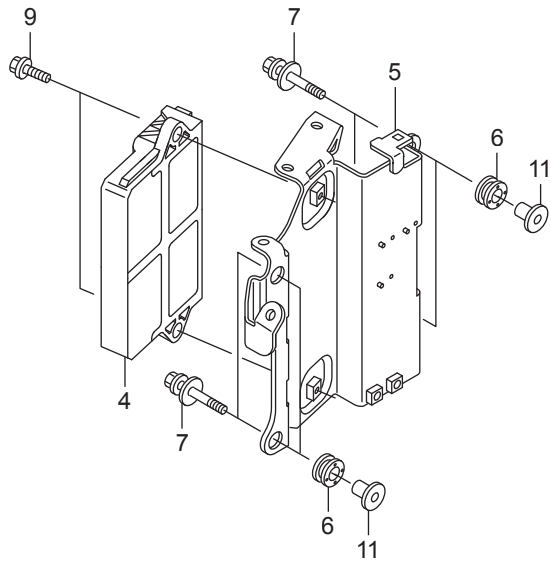
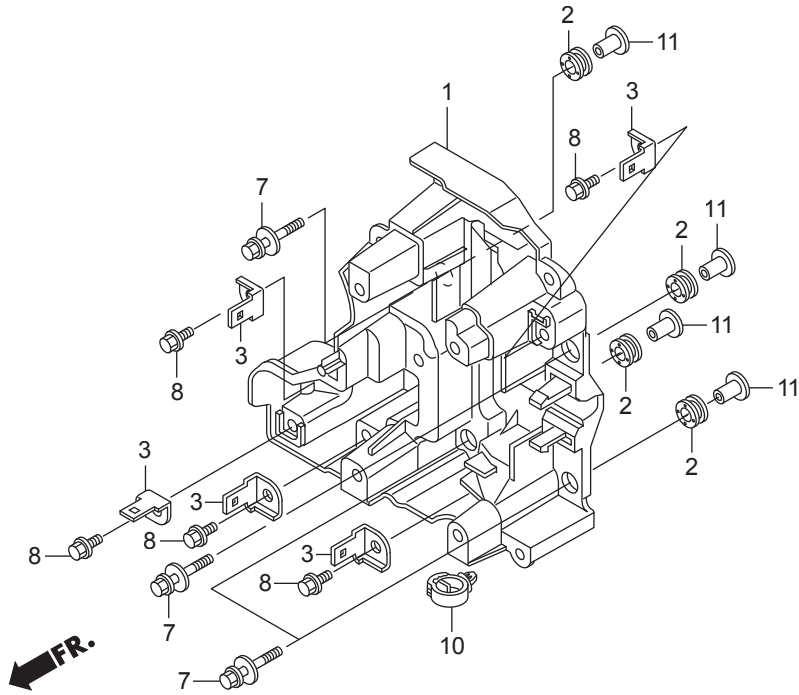
Ref.No.	Part No.	Description	Q' ty		Remarks	
			BFT200A	BFT225A		
E-18-10	1	HZY3-16193-A00	CLAMP, CHECK VALVE	1	1	
E-18-10	2	HZY3-16196-A00	TUBE, CHECK VALVE	1	1	
E-18-10	3	HZY3-16197-000	TUBE A, AIR VENT	1	1	
E-18-10	4	HZY3-16198-A00	TUBE B, AIR VENT	1	1	
E-18-10	5	HZY3-16199-A00	TUBE COMP., AIR VENT	1	1	
E-18-10	6	HZY3-16751-000	PIPE, FUEL	1	1	
E-18-10	7	H759-16911-003	STRAINER, FUEL PUMP	1	1	
E-18-10	8	HZW5-16915-000	SUSPENSION, STRAINER	1	1	
E-18-10	9	HVM0-16965-771	CLAMP, HOSE	2	2	
E-18-10	10	HKY7-17450-740	CLIP, TUBE	2	2	
E-18-10	11	HZY3-17721-000	JOINT, FUEL RETURN	1	1	
E-18-10	12	HZY3-17723-A01	HOSE A, PRESSURE REGULATOR	1	1	RETURN
E-18-10	13	HZY3-17724-010	HOSE B, PRESSURE REGULATOR	1	1	RETURN
E-18-10	14	HZY3-19258-010	TUBE, WATER IN.	1	1	
E-18-10	15	HZY3-19259-000	TUBE, WATER OUTLET	1	1	
E-18-10	16	HZY6-19269-000	T-JOINT	1	1	
E-18-10	17	HZY6-36135-003	VALVE, CHECK	1	1	
E-18-10	18	HZW5-90601-030	CLAMP, TUBE(D10.7)	4	4	
E-18-10	19	HZY3-90601-030	CLAMP, TUBE(D10.5)	4	4	
E-18-10	20	HMB1-90655-921	CLIP, WIRE	1	1	
E-18-10	21	HSL0-91592-A51	CLAMP, FUEL TUBE	1	1	
E-18-10	22	HCO-95001-35055-40	TUBE, FUEL, 3.5X55	1	1	(HC-95001-35001-60M)
E-18-10	23	HCO-95003-05060-31	TUBE, VINYL, 3.5X6.5X600	1	1	(HC-95003-05001-60M)

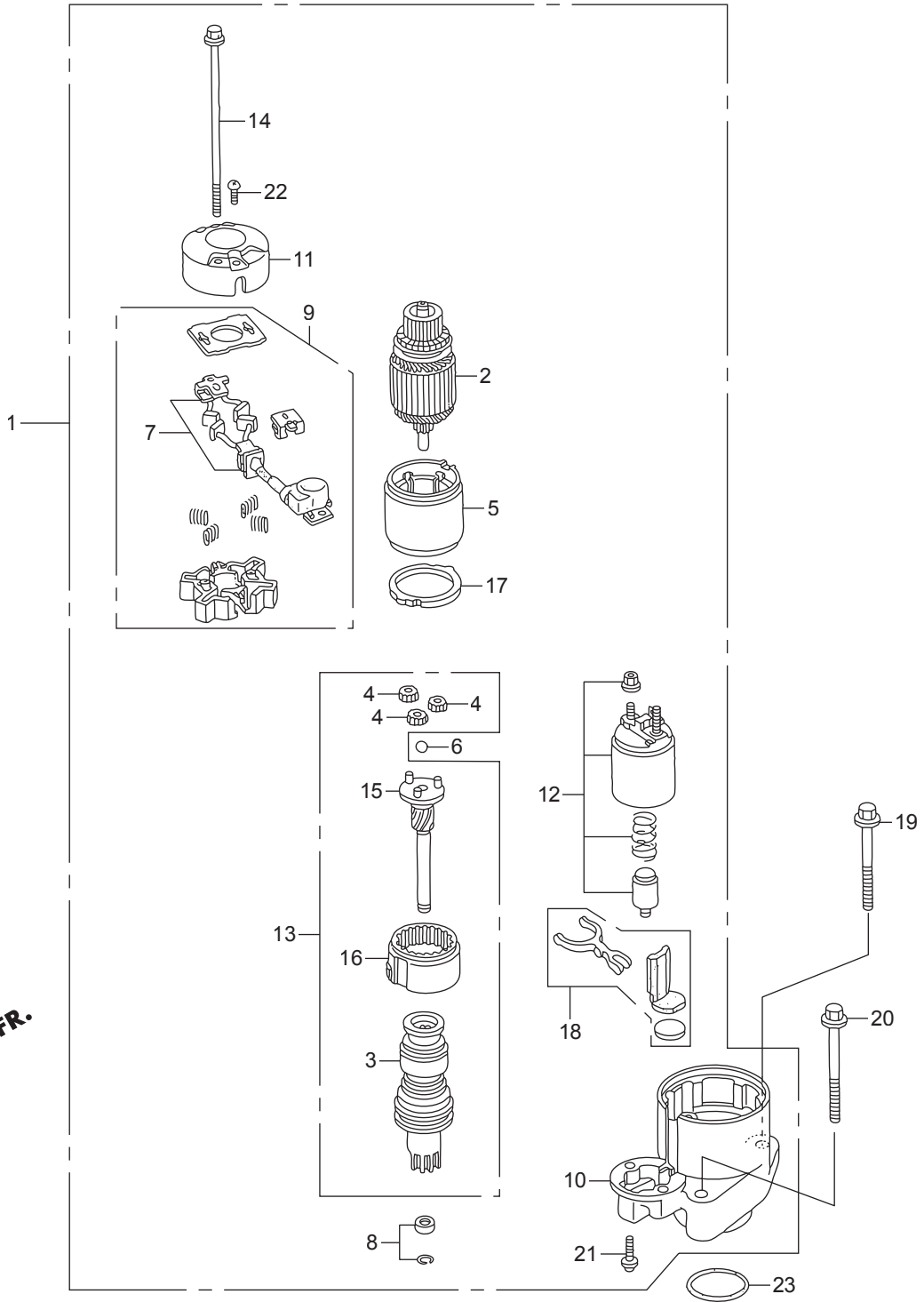
FR. 



Ref.No.	Part No.	Description	Q' ty		Remarks	
			BFT200A	BFT225A		
E-19	1	HPR7-31105-A01	HOLDER ASSY., BRUSH	1	1	
E-19	2	HPT0-31111-003	BEARING, RR. GENERATOR	1	1	
E-19	3	HPT0-31114-013	BEARING, FR. GENERATOR	1	1	
E-19	4	HPT0-31118-003	BUSH, INSULATION	4	4	
E-19	5	HPD1-31138-004	COVER, BEARING	1	1	
E-19	6	HP13-31141-003	PULLEY	1	1	
E-19	7	HPD1-31142-004	NUT, PULLEY LOCK	1	1	
E-19	8	HPD1-31145-004	BOLT, STUD, 6X68	4	4	
E-19	9	HPT0-31146-003	SCREW	4	4	
E-19	10	HP13-31147-003	SCREW	1	1	
E-19	11	HPT0-31147-003	SCREW-WASHER	3	3	
E-19	12	HP13-31148-003	SCREW, WAVE WASHER	4	4	
E-19	13	HPT0-31148-003	SCREW, WAVE WASHER	2	2	
E-19	14	HZY3-31630-003	GENERATOR ASSY., A.C.	1	1	#~1300744 (BFT200A) #~1301519 (BFT225A)
E-19	14	HZY3-31630-013	GENERATOR ASSY., A.C.	1	1	#1300745~ (BFT200A) #1301520~ (BFT225A)
E-19	15	HZY3-31631-003	ROTOR ASSY.	1	1	
E-19	16	HZY3-31637-000	STAY, A.C. GENERATOR	1	1	
E-19	17	HZY3-31639-003	END COVER, RR.	1	1	
E-19	18	HZY3-31694-003	BUSH, INSULATION	1	1	
E-19	19	HZY3-31710-003	RECTIFIER ASSY.	1	1	
E-19	20	HZY3-31750-003	REGULATOR ASSY.	1	1	
E-19	21	HZX2-90002-000	BOLT, FLANGE, 10X90	1	1	
E-19	22	HZW5-90011-010	BOLT, SPECIAL ADJUSTER	1	1	
E-19	23	HZY3-90017-000	BOLT, FLANGE, 6X16	1	1	
E-19	24	HZY3-90055-000	BOLT, TENSIONER	1	1	
E-19	25	HZW5-90203-010	NUT, FLANGE, 8MM	1	1	
E-19	26	HPD1-90231-014	NUT-WASHER, 5MM	7	7	
E-19	27	HCO-94001-06080-0S	NUT, HEX., 6MM	1	1	

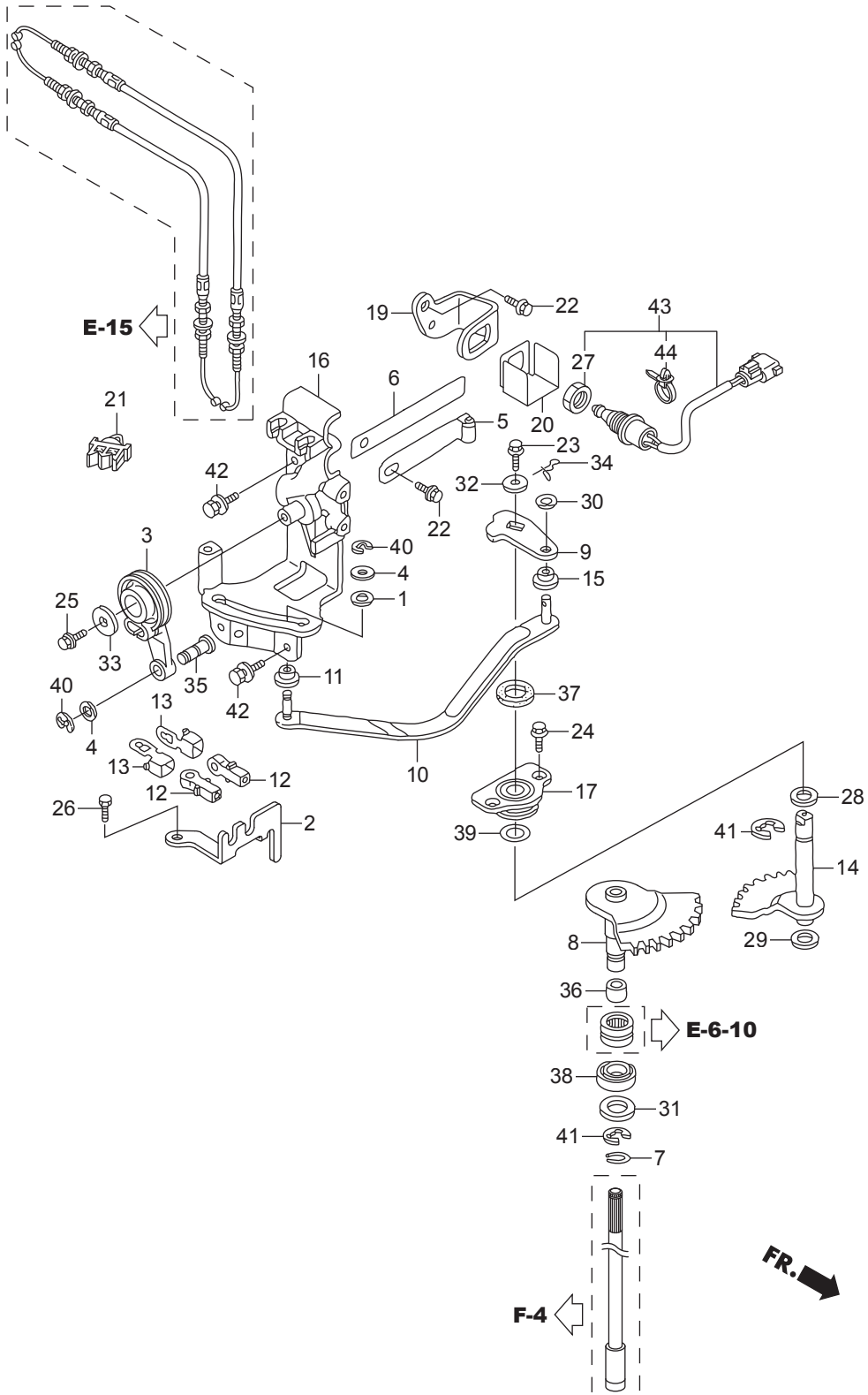




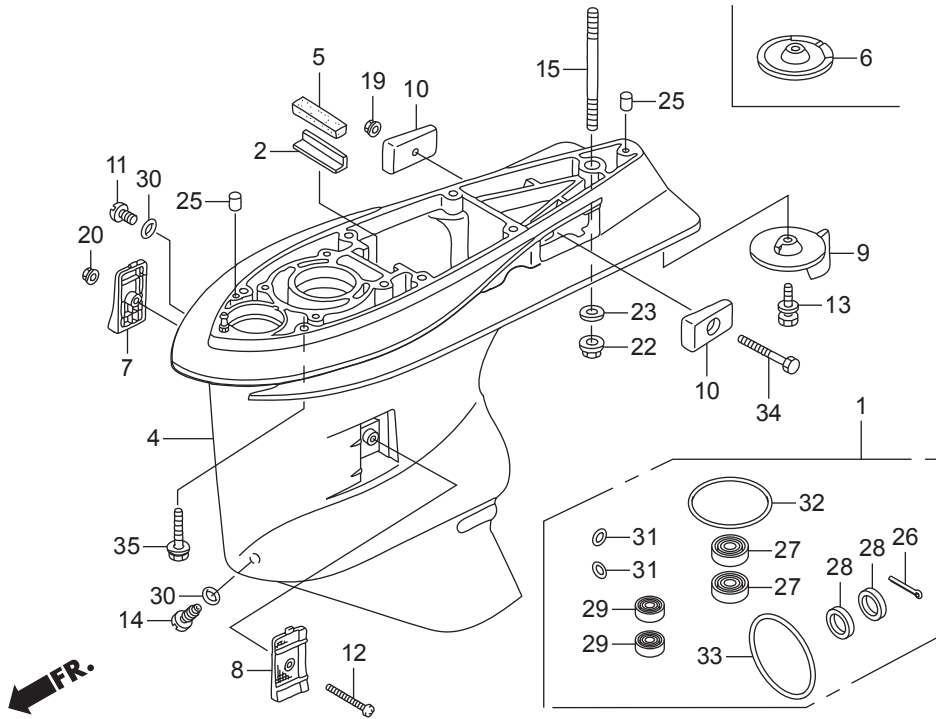


←FR.

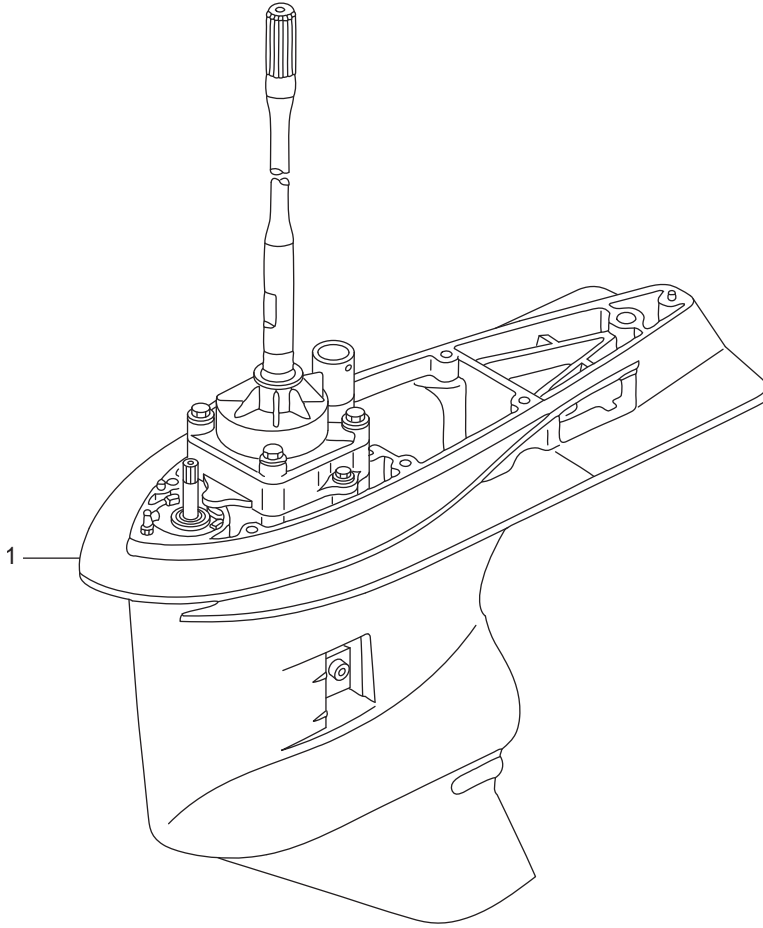
Ref.No.	Part No.	Description	Q' ty		Remarks	
			BFT200A	BFT225A		
E-21	1	HZY3-31200-003	MOTOR ASSY., STARTER	1	1	
E-21	2	HP5A-31201-005	ROTOR COMP.	1	1	
E-21	3	HZY3-31207-003	CLUTCH COMP., OVERRUNNING	1	1	
E-21	4	HPY3-31215-004	GEAR ASSY., PLANETARY	3	3	
E-21	5	HZY3-31216-003	YOKE COMP.	1	1	
E-21	6	HPY3-31218-004	BALL, STEEL	1	1	
E-21	7	HZW1-31226-004	BRUSH SET	1	1	
E-21	8	HZW1-31229-004	STOPPER SET, SLEEVE	1	1	
E-21	9	HZW1-31231-004	HOLDER COMP., BRUSH	1	1	
E-21	10	HZY3-31235-003	BRACKET, FR.	1	1	
E-21	11	HZY3-31236-003	BRACKET, RR.	1	1	
E-21	12	HZY3-31240-003	SWITCH ASSY., MAGNET	1	1	
E-21	13	HZY3-31242-003	SHAFT ASSY., CLUTCH	1	1	
E-21	14	HP5A-31243-005	BOLT A, THROUGH	2	2	
E-21	15	HZY3-31246-003	SHAFT ASSY., GEAR	1	1	
E-21	16	HZY3-31247-003	GEAR ASSY., INTERNAL	1	1	
E-21	17	HZY3-31249-003	PACKING	1	1	
E-21	18	HZY3-31250-003	LEVER SET	1	1	
E-21	19	HZY3-90002-000	BOLT, FLANGE, 10X90	1	1	
E-21	20	HZY3-90003-000	BOLT, FLANGE, 10X110	1	1	
E-21	21	HZW1-90106-004	SCREW, PAN, 6X22(SPECIAL)	2	2	
E-21	22	HZW1-90107-004	SCREW, PAN, 5X8	2	2	
E-21	23	HZY3-91303-000	O-RING, 59.4X3.1	1	1	



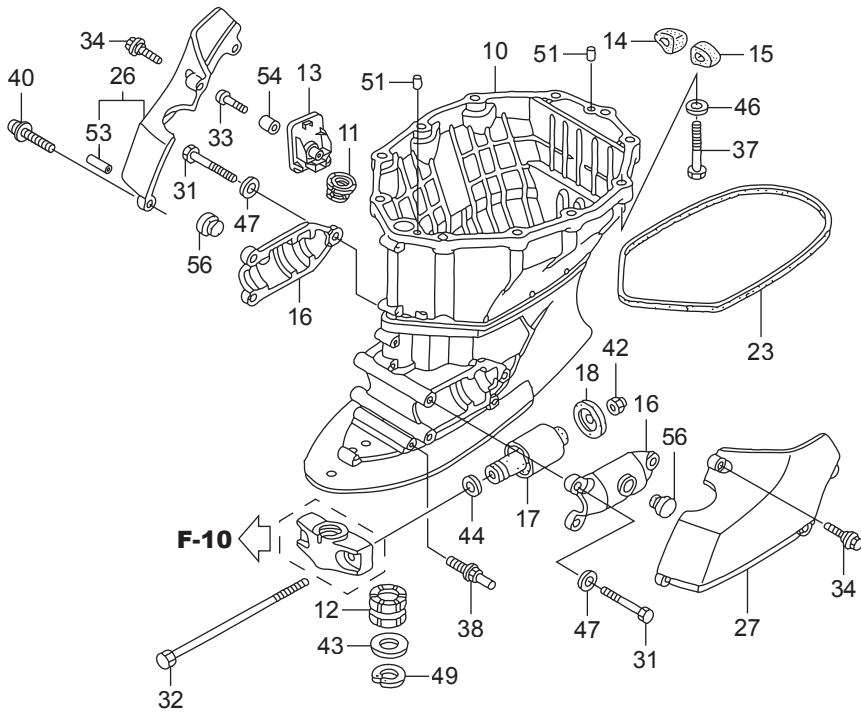
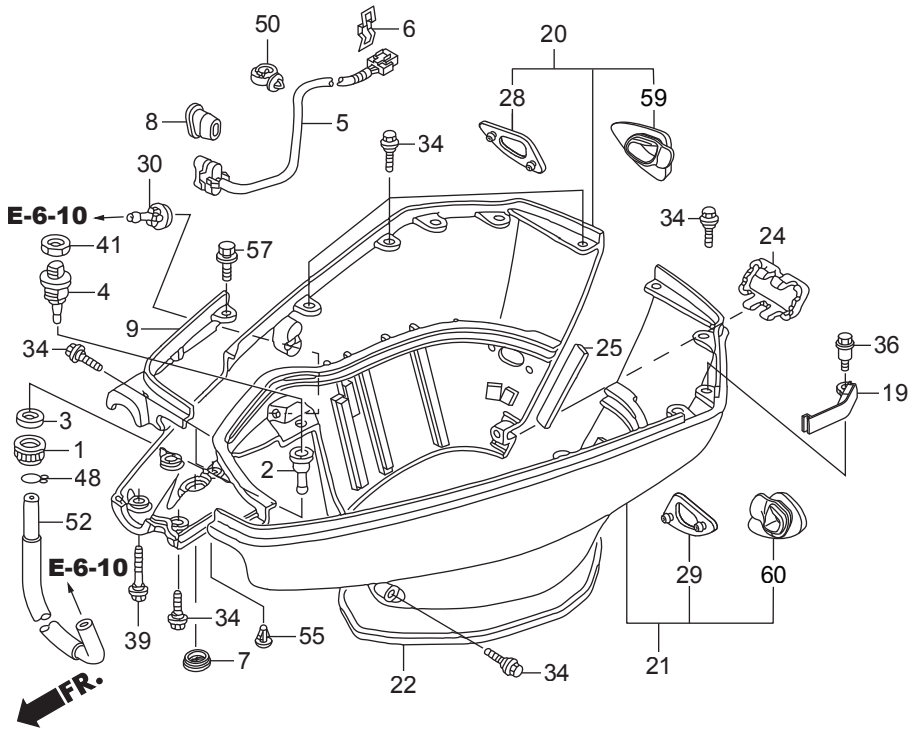
Ref.No.	Part No.	Description	Q' ty		Remarks	
			BFT200A	BFT225A		
F-2	1	HKN5-17224-670	WASHER, AIR CLEANER COVER SETTING	1	1	
F-2	2	HZY3-17877-000	PLATE, REMOTE CONTROL CABLE	1	1	
F-2	3	HZY3-17931-000	ARM, THROTTLE	1	1	
F-2	4	H921-17936-000	WASHER, PIVOT	2	2	
F-2	5	HZW1-24210-010	SPRING COMP., CLICK	1	1	
F-2	6	HZY3-24221-000	SPRING, CLICK ASSIST	1	1	
F-2	7	HZW1-24327-000	RING, STOPPER	1	1	
F-2	8	HZY3-24610-A00	SHAFT COMP., SHIFT(A)	1	1	
F-2	9	HZY3-24612-010	ARM, SHIFT	1	1	
F-2	10	HZY3-24613-000	ROD, LINK	1	1	
F-2	11	HZY3-24617-000	COLLAR, SHIFT SLIDER	1	1	
F-2	12	HZY3-24618-000	PIVOT, SHIFT	2	2	
F-2	13	HZY3-24619-000	PLATE, LOCK	2	2	
F-2	14	HZY3-24620-000	SHAFT COMP., SHIFT(B)	1	1	
F-2	15	HZY3-24623-000	BUSH, SHIFT ARM	1	1	
F-2	16	HZY3-24628-000	BRACKET, SHIFT LINK	1	1	
F-2	17	HZW1-24629-000	HOLDER, SEAL	1	1	
F-2	19	HZY3-35476-010	BRACKET, NEUTRAL SWITCH	1	1	
F-2	20	HZY3-35477-000	COVER, NEUTRAL SWITCH	1	1	
F-2	21	HS0X-46392-A01	CLIP, BRAKE PIPE	1	1	
F-2	22	HZW9-90011-000	BOLT, FLANGE, 6X14(CT200)	2	2	
F-2	23	HZY3-90017-000	BOLT, FLANGE, 6X16	1	1	
F-2	24	HZW5-90023-000	BOLT, FLANGE, 6X11	2	2	
F-2	25	HZW9-90102-000	BOLT, FLANGE, 6X12	1	1	
F-2	26	HZV4-90127-000	BOLT, HEX., 6X16	1	1	
F-2	27	HZV5-90302-003	NUT, HEX., 20MM	1	1	
F-2	28	HHA0-90402-000	WASHER, THRUST, 14MM	1	1	
F-2	29	H958-90428-000	WASHER B, THRUST, 14MM	1	1	
F-2	30	HZV4-90506-000	WASHER, PLAIN, 6MM	1	1	



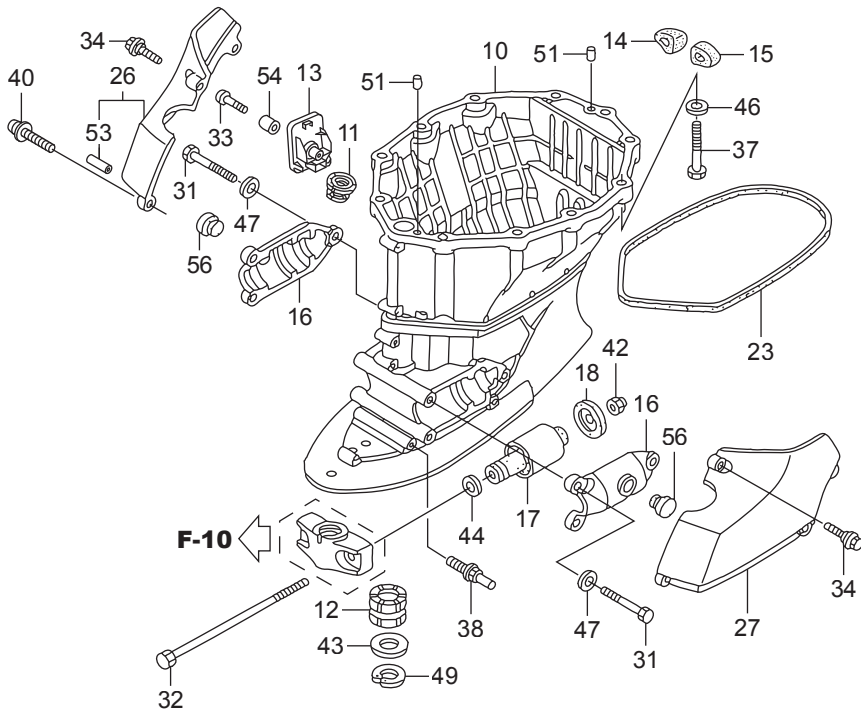
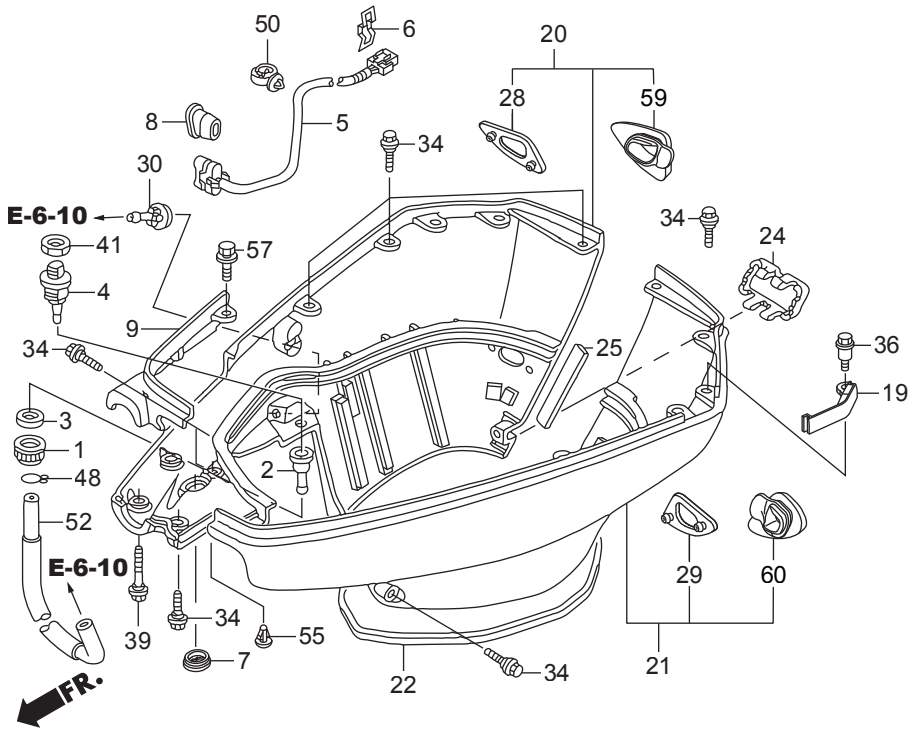
Ref.No.	Part No.	Description	Q' ty		Remarks	
			BFT200A	BFT225A		
F-3	1	HZY3-06125-C00	CASE KIT, GEAR	1	1	
F-3	2	HZW1-19286-B00	PLATE, RUBBER SETTING	1	1	
F-3	4	HZY3-41101-C00ZC	CASE, GEAR	1		*T107* BAY BLUE XA,XCA
F-3	4	HZY3-41101-C00ZC	CASE, GEAR	1		*T107* BAY BLUE ~6000112 LA
F-3	4	HZY3-41101-C01ZC	CASE, GEAR	1		*T107* BAY BLUE 6000113~ LA
F-3	4	HZY3-41101-C00ZC	CASE, GEAR		1	*T107* BAY BLUE LA
F-3	4	HZY3-41101-C00ZC	CASE, GEAR		1	*T107* BAY BLUE ~6000113 XA
F-3	4	HZY3-41101-C00ZC	CASE, GEAR		1	*T107* BAY BLUE ~7000018 XCA
F-3	4	HZY3-41101-C01ZC	CASE, GEAR		1	*T107* BAY BLUE 6000114~ XA
F-3	4	HZY3-41101-C01ZC	CASE, GEAR		1	*T107* BAY BLUE 7000019~ XCA
F-3	5	HZW1-41102-B00	GROMMET, GEAR CASE	1	1	
F-3	6	HZX2-41102-E00ZC	COVER, GEAR CASE	1	1	*T107* BAY BLUE XCA
F-3	7	HZY3-41104-C01	SCREEN, R. WATER	1	1	
F-3	8	HZY3-41105-C01	SCREEN, L. WATER	1	1	
F-3	9	HZX2-41107-C00ZC	TAB, TRIM	1	1	*T107* BAY BLUE LA,XA
F-3	10	HZW1-41109-B00	METAL COMP., ANODE	2	2	
F-3	11	HZW9-90101-003	BOLT, OIL CHECK	1	1	
F-3	12	HZZ0-90101-000	SCREW, FLAT, 5X55	1	1	
F-3	13	HZY6-90103-000	BOLT-WASHER, 10X32	1	1	
F-3	14	HZY3-90120-000	BOLT, DRAIN PLUG	1	1	
F-3	15	HZY3-90124-000	BOLT, STUD, 12X40	1	1	
F-3	19	HZY1-90205-000	NUT, SELF-LOCK, 6MM	1	1	
F-3	20	HZV4-90302-000	NUT, SELF-LOCK, 5MM	1	1	
F-3	22	HZW1-90308-003	NUT, SELF-LOCK, 12MM	1	1	
F-3	23	HZV5-90559-000	WASHER, PLAIN, 12MM	1	1	
F-3	25	HZV5-90756-000	DOWEL PIN, 6X10	2	2	
F-3	26	HZW1-90758-B00	PIN, SPLIT, 4.0		1	
F-3	27	HZY3-91251-C01	SEAL, WATER, 26X42X7		2	
F-3	28	HZZ3-91252-003	SEAL, WATER, 30X45X7		2	



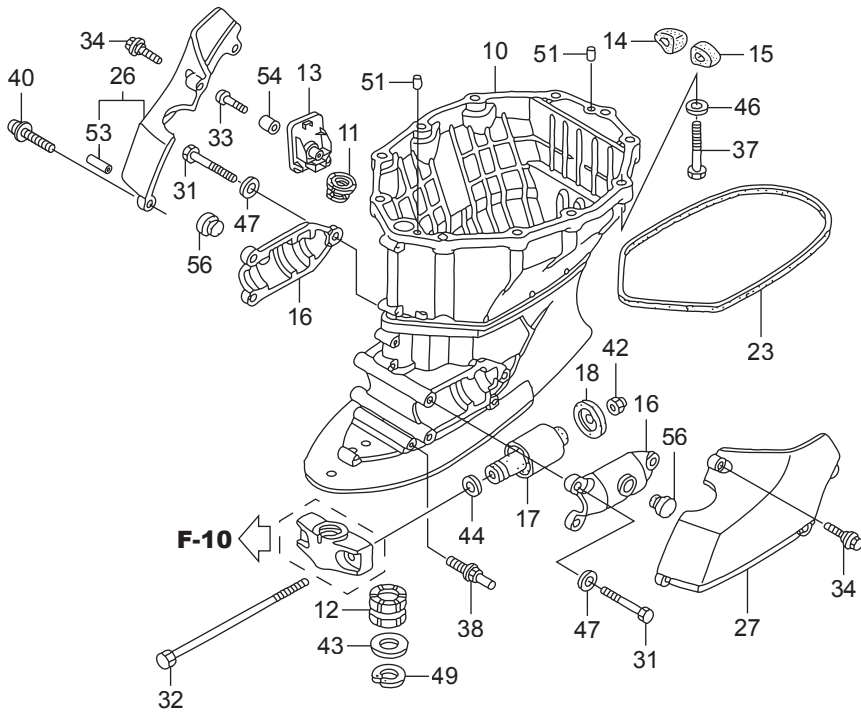
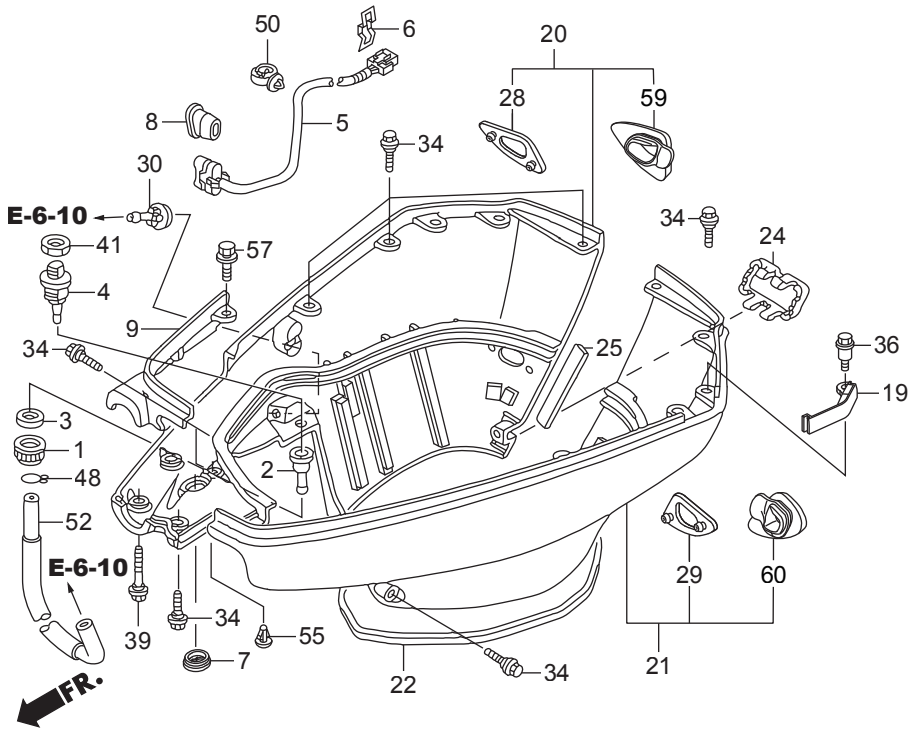
←FR.

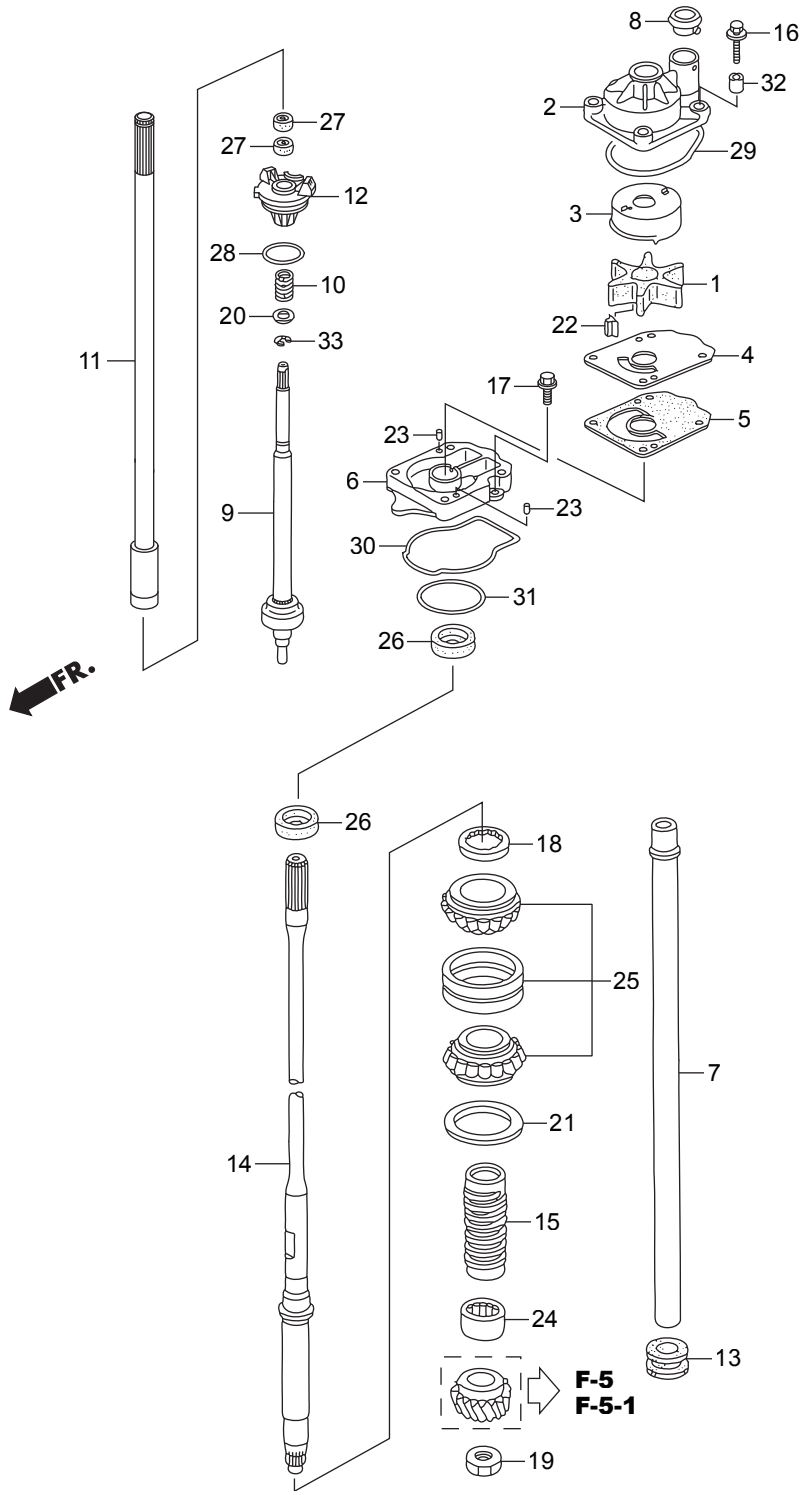


Ref.No.	Part No.	Description	Q' ty		Remarks	
			BFT200A	BFT225A		
F-3-20	1	HZY3-19270-000	NUT, WATER MOUTH	1	1	
F-3-20	2	HZY3-19271-000	JOINT, WATER HOSE	1	1	
F-3-20	3	HZY3-19272-000	SEAT, WATER MOUTH	1	1	
F-3-20	4	HZY3-19289-000	CAP, WATER JOINT	1	1	
F-3-20	5	HZY3-35640-013	SWITCH ASSY., POWER TILT	1	1	
F-3-20	6	HZY3-35645-000	STAY, POWER TILT SWITCH	1	1	
F-3-20	7	HZV5-40107-000	GROMMET, UNDER CASE(C)	1	1	
F-3-20	8	HZY3-40114-010	GROMMET, POWER TILT SWITCH	1	1	
F-3-20	9	HZY3-40151-000ZC	COVER, FR. SEPARATE	1	1	*T107* BAY BLUE
F-3-20	10	HZY3-40201-020ZC	CASE, EXTENSION	1	1	*T107* BAY BLUE LA
F-3-20	10	HZY3-40201-612ZC	CASE, EXTENSION	1	1	*T107* BAY BLUE XA,XCA
F-3-20	11	HZW1-40209-000	RUBBER, DRAIN PLUG	1	1	
F-3-20	12	HZY3-40210-610	BUSH COMP., VERTICAL SHAFT	1	1	XA,XCA
F-3-20	13	HZY3-40212-010ZC	COVER, DRAIN PLUG(L)	1	1	*T107* BAY BLUE LA
F-3-20	13	HZY3-40212-611ZC	COVER, DRAIN PLUG(XL)	1	1	*T107* BAY BLUE XA,XCA
F-3-20	14	HZY3-40225-010	SEAL, R. IDOL PORT	1		#~6000078 LA,XA
F-3-20	14	HZY3-40225-010	SEAL, R. IDOL PORT		1	#~6000093 LA,XA
F-3-20	15	HZY3-40226-010	SEAL, L. IDOL PORT	1		#~6000078 LA,XA
F-3-20	15	HZY3-40226-010	SEAL, L. IDOL PORT		1	#~6000093 LA,XA
F-3-20	16	HZY3-50111-020	HOUSING, LOWER MOUNTING	2	2	
F-3-20	17	HZY3-50155-000	MOUNT COMP., LOWER RUBBER	2	2	
F-3-20	18	HZY3-50157-010	STOPPER, LOWER MOUNT	2	2	
F-3-20	19	HZY3-63347-C00	COVER, PLUG MAINTENANCE	1	1	
F-3-20	20	HZY3-63710-C00ZC	COVER COMP., R. UNDER ENGINE	1		*T107* BAY BLUE #~6000078 LA,XA
F-3-20	20	HZY3-63710-C01ZC	COVER COMP., R. UNDER ENGINE	1		*T107* BAY BLUE #6000079~ LA,XA
F-3-20	20	HZY3-63710-C00ZC	COVER COMP., R. UNDER ENGINE		1	*T107* BAY BLUE #~6000093 LA,XA
F-3-20	20	HZY3-63710-C01ZC	COVER COMP., R. UNDER ENGINE		1	*T107* BAY BLUE #6000094~ LA,XA
F-3-20	21	HZY3-63715-C01ZC	COVER COMP., L. UNDER ENGINE	1		*T107* BAY BLUE #~6000078 LA,XA
F-3-20	21	HZY3-63715-C02ZC	COVER COMP., L. UNDER ENGINE	1		*T107* BAY BLUE #6000079~ LA,XA

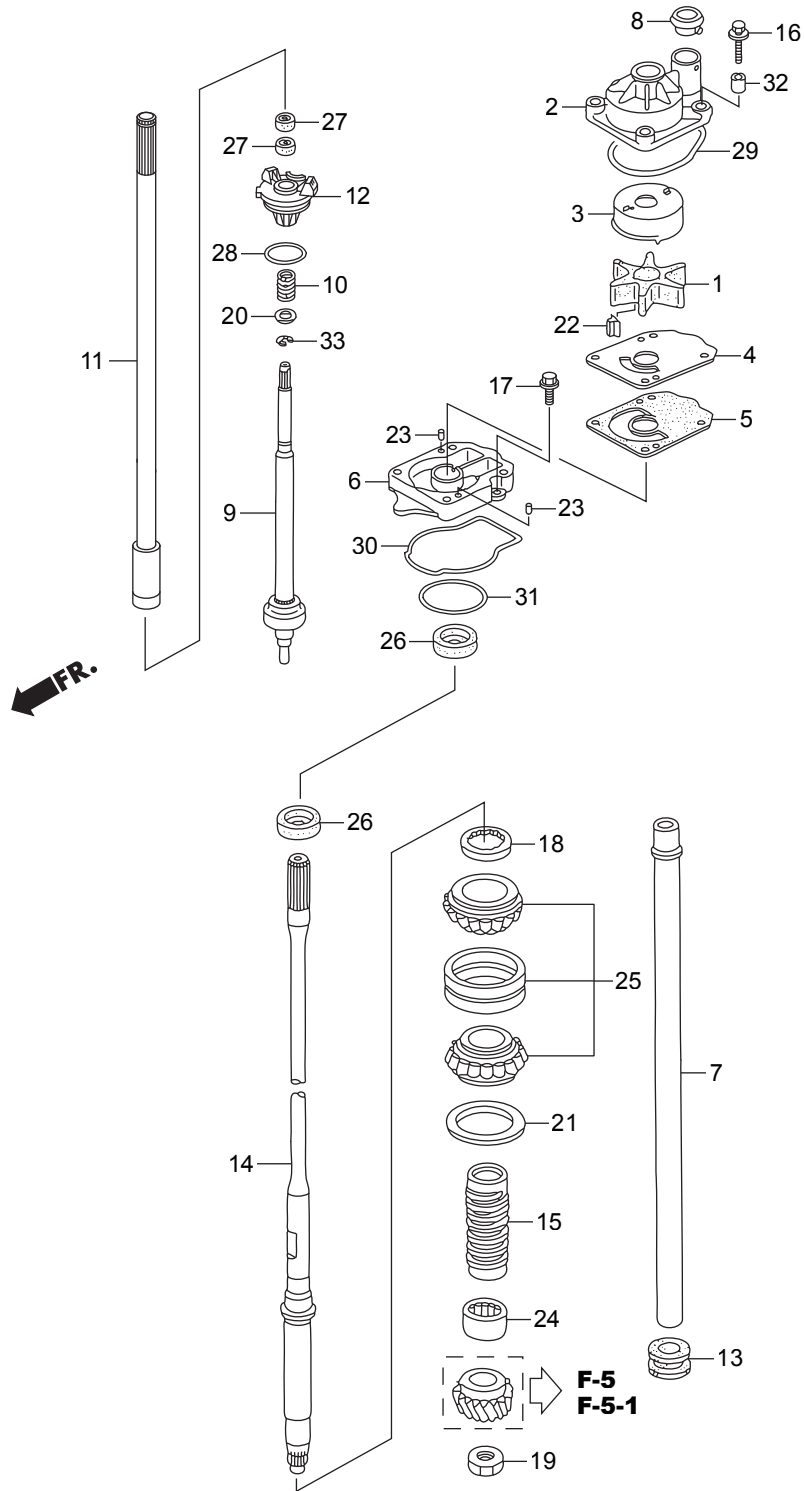


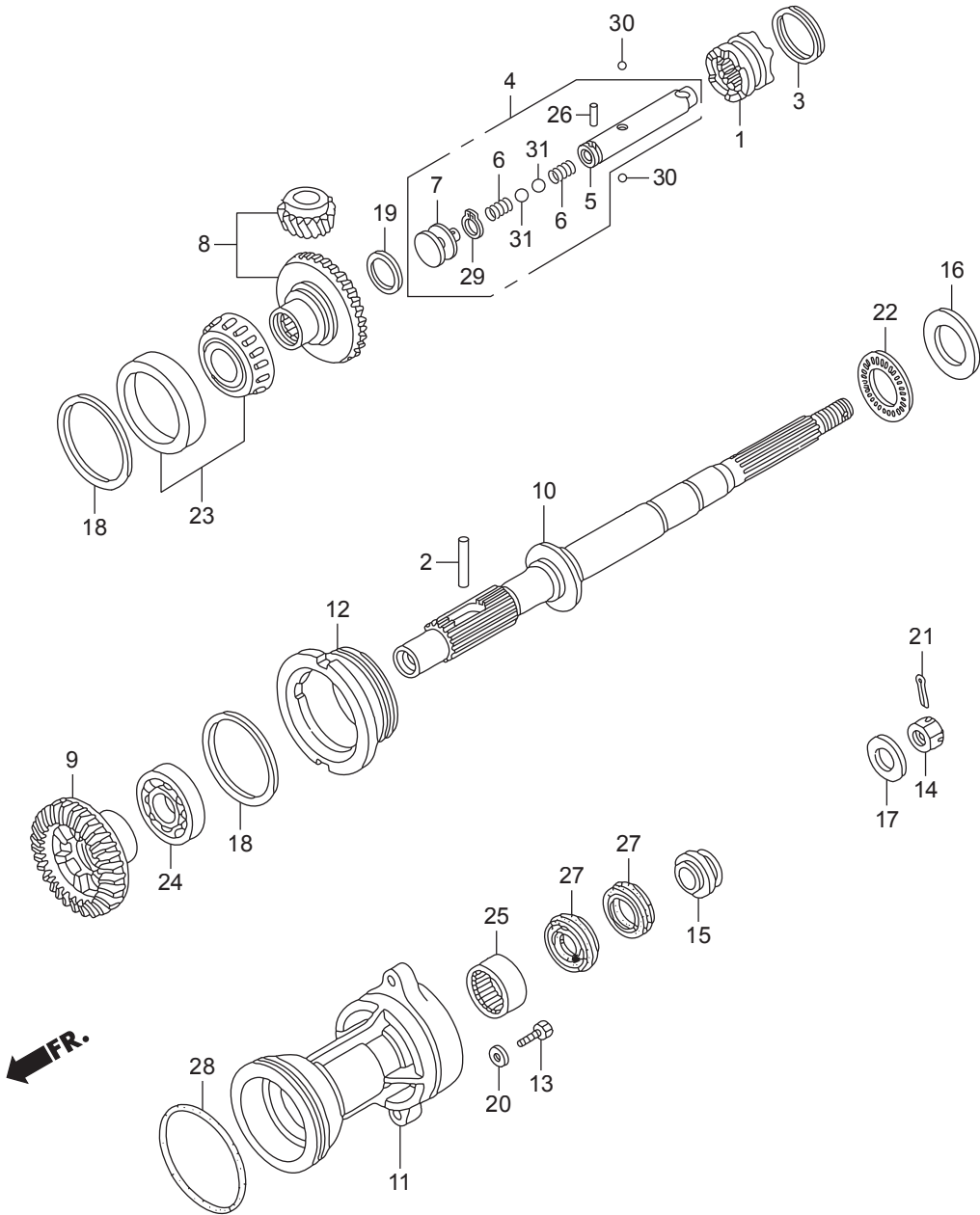
Ref.No.	Part No.	Description	Q' ty		Remarks
			BFT200A	BFT225A	
F-3-20	21	HZY3-63715-C01ZC		1	*T107* BAY BLUE #~6000093 LA,XA
F-3-20	21	HZY3-63715-C02ZC		1	*T107* BAY BLUE #6000094~ LA,XA
F-3-20	22	HZY3-63718-000	1	1	
F-3-20	23	HZX2-63719-C00	1	1	
F-3-20	24	HZY3-63722-010ZC	1	1	*T107* BAY BLUE
F-3-20	25	HZY3-63728-000	1	1	
F-3-20	26	HZY3-63731-A03ZC	1	1	*T107* BAY BLUE LA
F-3-20	26	HZY3-63731-A12ZC	1	1	*T107* BAY BLUE XA,XCA
F-3-20	27	HZY3-63736-A03ZC	1	1	*T107* BAY BLUE LA
F-3-20	27	HZY3-63736-A12ZC	1	1	*T107* BAY BLUE XA,XCA
F-3-20	28	HZY3-63751-C00	1		#~6000078
F-3-20	28	HZY3-63751-C00		1	#~6000093
F-3-20	29	HZY3-63756-C00	1		#~6000078
F-3-20	29	HZY3-63756-C00		1	#~6000093
F-3-20	30	HZV5-82873-003	1	1	
F-3-20	31	HZY3-90102-A00	6	6	
F-3-20	32	HZY3-90105-010	2	2	
F-3-20	33	HZV5-90110-000	1	1	
F-3-20	34	HZY3-90111-000	26	26	
F-3-20	36	HZY3-90113-C00	1	1	
F-3-20	37	HZY3-90122-000	11	11	
F-3-20	38	HZY3-90129-A00	2	2	
F-3-20	39	HZY3-90132-000	2	2	
F-3-20	40	HZY3-90134-000	1	1	LA
F-3-20	40	HCO-93500-06025-4J	1	1	XA,XCA
F-3-20	41	H921-90302-000	1	1	
F-3-20	42	HZY3-90302-000	2	2	
F-3-20	43	HZY3-90503-610	1	1	XA,XCA
F-3-20	44	HZY3-90511-000	2	2	



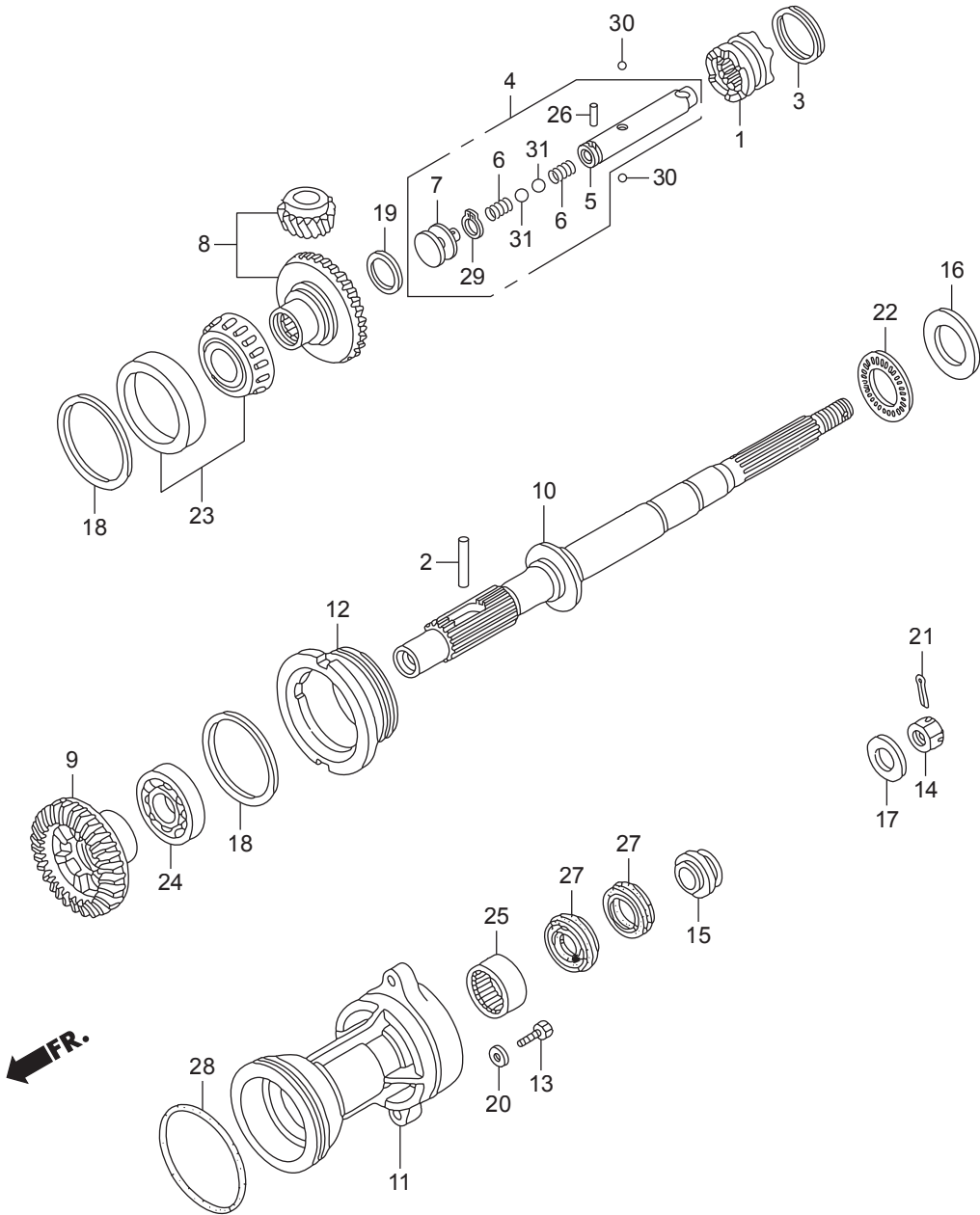


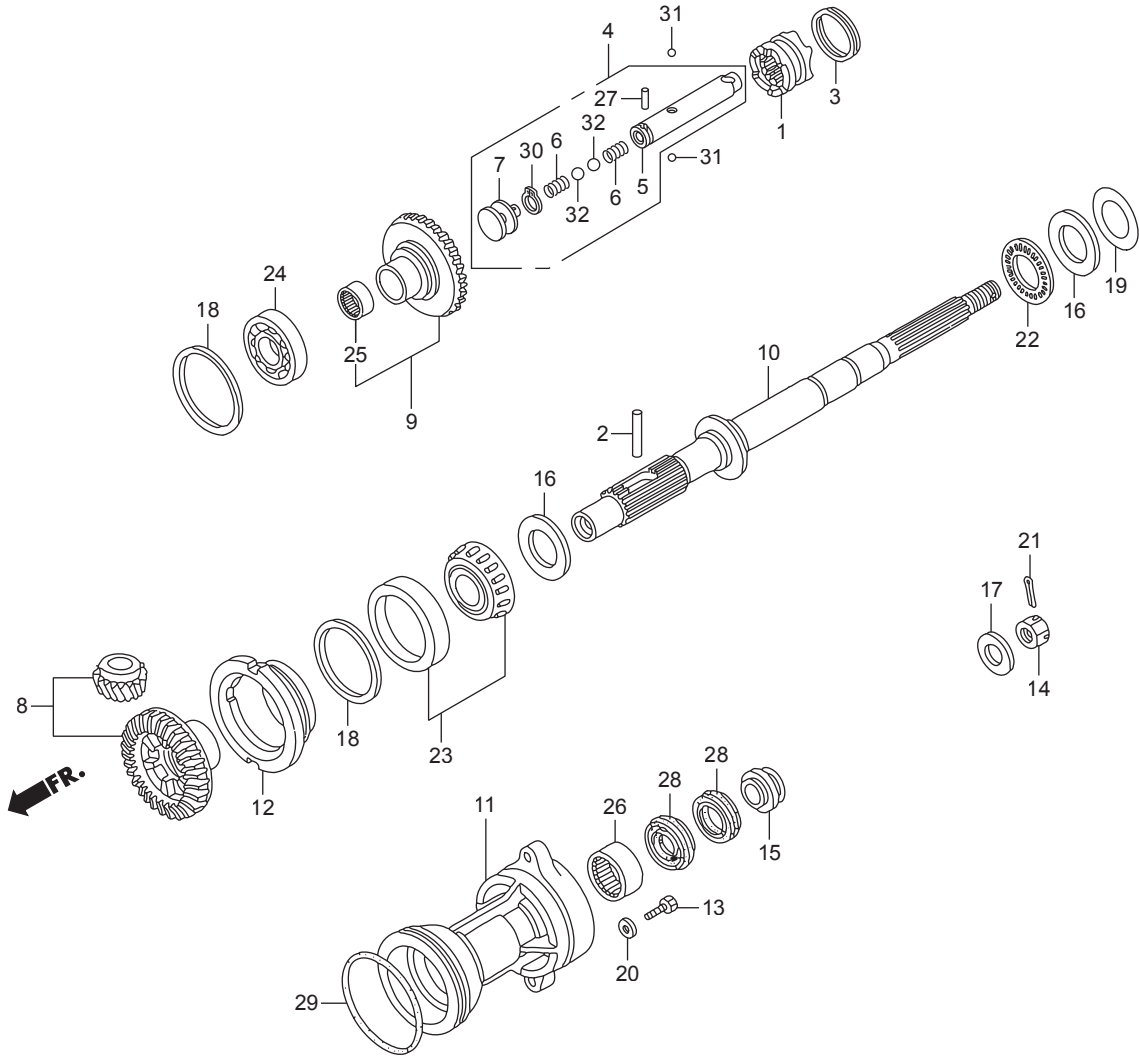
Ref.No.	Part No.	Description	Q' ty		Remarks	
			BFT200A	BFT225A		
F-4	1	HZY3-19210-003	IMPELLER, PUMP	1	1	
F-4	2	HZY3-19221-010	HOUSING, IMPELLER	1	1	
F-4	3	HZY3-19223-000	LINER, PUMP	1	1	
F-4	4	HZY3-19231-000	COVER, IMPELLER	1	1	
F-4	5	HZY3-19234-000	GASKET B, IMPELLER	1	1	
F-4	6	HZY3-19241-000	HOUSING, WATER PUMP	1	-	XA,XCA
F-4	6	HZY3-19241-000	HOUSING, WATER PUMP	1	-	~6000112 LA
F-4	6	HZY3-19241-010	HOUSING, WATER PUMP	1	-	6000113~ LA
F-4	6	HZY3-19241-000	HOUSING, WATER PUMP	-	1	LA
F-4	6	HZY3-19241-000	HOUSING, WATER PUMP	-	1	~6000113 XA
F-4	6	HZY3-19241-000	HOUSING, WATER PUMP	-	1	~7000018 XCA
F-4	6	HZY3-19241-010	HOUSING, WATER PUMP	-	1	6000114~ XA
F-4	6	HZY3-19241-010	HOUSING, WATER PUMP	-	1	7000019~ XCA
F-4	7	HZY3-19251-000	TUBE, WATER(L)	1	1	LA
F-4	7	HZY3-19251-611	TUBE, WATER(XL)	1	1	XA,XCA
F-4	8	HZY3-19253-000	RING, WATER TUBE SEAL	1	1	
F-4	9	HZY3-24310-C00	ROD COMP., SHIFT	1	1	LA,XA
F-4	9	HZY3-24310-E00	ROD COMP., SHIFT (COUNTER ROTATION)	1	1	XCA
F-4	10	HZY3-24318-000	SPRING, SHIFT ROD	1	1	
F-4	11	HZY6-24320-000	ROD COMP. A, SHIFT(L)	1	1	LA
F-4	11	HZY6-24320-610	ROD COMP. A, SHIFT(XL)	1	1	XA,XCA
F-4	12	HZW1-24343-B02	HOLDER, SHIFT ROD	1	1	
F-4	13	HZY3-40204-000	GROMMET, EXTENSION CASE	1	1	
F-4	14	HZY3-41112-010	SHAFT, VERTICAL(L)	1	1	LA
F-4	14	HZY3-41112-611	SHAFT, VERTICAL(XL)	1	1	XA,XCA
F-4	15	HZY3-41116-000	SLINGER, OIL	1	1	
F-4	16	HZX2-90105-C00	BOLT, WASHER, 8X60	4	4	
F-4	17	HHW1-90215-671	BOLT, FLANGE, 6X16	1	1	
F-4	18	HZW1-90242-000	NUT, LOCK, 64MM	1	1	



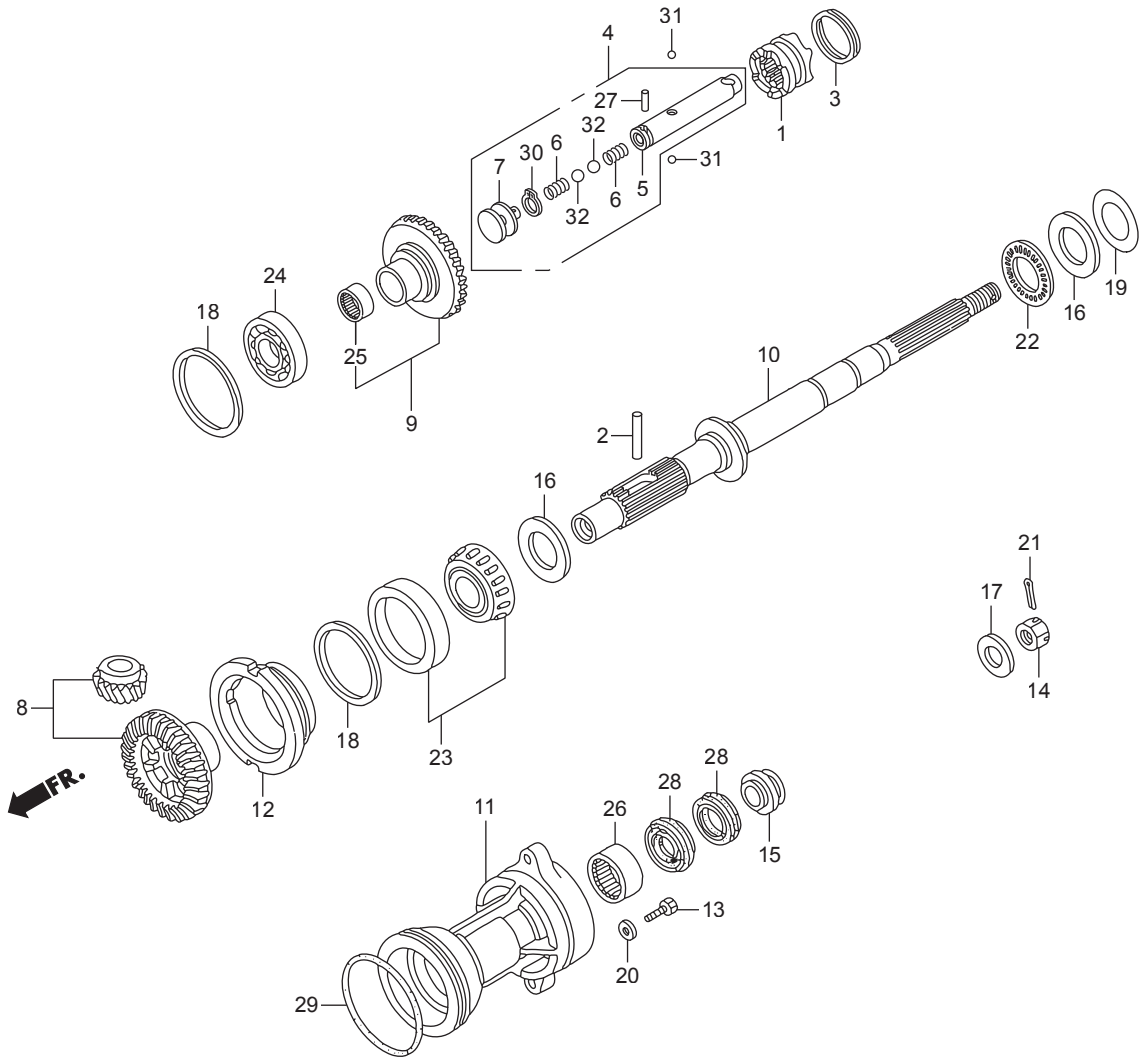


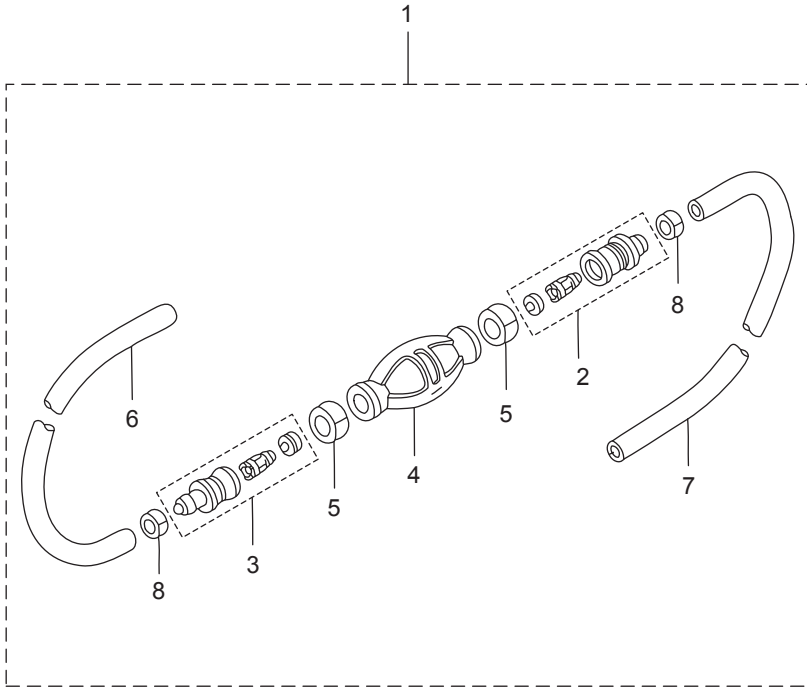
Ref.No.	Part No.	Description	Q' ty		Remarks	
			BFT200A	BFT225A		
F-5	1	HZY3-24101-A01	SHIFTER, CLUTCH	1	1	LA,XA
F-5	2	HZY3-24102-000	PIN, SHIFTER, 8X50	1	1	LA,XA
F-5	3	HZY3-24103-000	RING, CROSS PIN	1	1	LA,XA
F-5	4	HZY3-24113-A01	SLIDER COMP., SHIFT	1	1	LA,XA
F-5	5	HZY3-24122-A01	SLIDER, SHIFT	1	1	LA,XA
F-5	6	HZY3-24123-000	SPRING, SHIFT	2	2	LA,XA
F-5	7	HZY3-24124-310	PLATE, SHIFT	1	1	LA,XA
F-5	8	HZY3-41130-C00	GEAR SET	1	1	LA,XA
F-5	9	HZY3-41151-C00	GEAR, BEVEL(RVS. 28T)	1	1	LA,XA
F-5	10	HZY3-41161-A00	SHAFT, PROPELLER	1	1	LA,XA
F-5	11	HZY3-41201-C00ZC	HOLDER, PROPELLER SHAFT	1	1	*T107* BAY BLUE LA,XA
F-5	12	HZY3-41202-000	HOLDER, BEARING	1	1	LA,XA
F-5	13	HZY3-90123-000	BOLT, HEX., 12X45	2	2	LA,XA
F-5	14	HZW1-90301-B00	NUT, CASTLE, 18MM	1	1	LA,XA
F-5	15	HZY3-90506-000	WASHER, PROPELLER THRUST	1	1	LA,XA
F-5	16	HZW5-90509-711	WASHER, THRUST BEARING	1	1	LA,XA
F-5	17	HZY3-90512-000	WASHER, PROPELLER	1	1	LA,XA
F-5	18	HZY3-90528-000	SHIM A, BEVEL(0.10)	2	2	LA,XA
F-5	18	HZY3-90529-000	SHIM B, BEVEL(0.15)	2	2	LA,XA
F-5	18	HZY3-90530-000	SHIM C, BEVEL(0.30)	2	2	LA,XA
F-5	18	HZY3-90531-000	SHIM D, BEVEL(0.50)	2	2	LA,XA
F-5	19	HZY3-90548-000	SHIM A, THRUST(2.75)	1	1	LA,XA
F-5	19	HZY3-90549-000	SHIM B, THRUST(2.80)	1	1	LA,XA
F-5	19	HZY3-90550-000	SHIM C, THRUST(2.85)	1	1	LA,XA
F-5	19	HZY3-90551-000	SHIM D, THRUST(2.90)	1	1	LA,XA
F-5	19	HZY3-90552-000	SHIM E, THRUST(2.95)	1	1	LA,XA
F-5	19	HZY3-90553-000	SHIM F, THRUST(3.00)	1	1	LA,XA
F-5	19	HZY3-90554-000	SHIM G, THRUST(3.05)	1	1	LA,XA
F-5	19	HZY3-90555-000	SHIM H, THRUST(3.10)	1	1	LA,XA

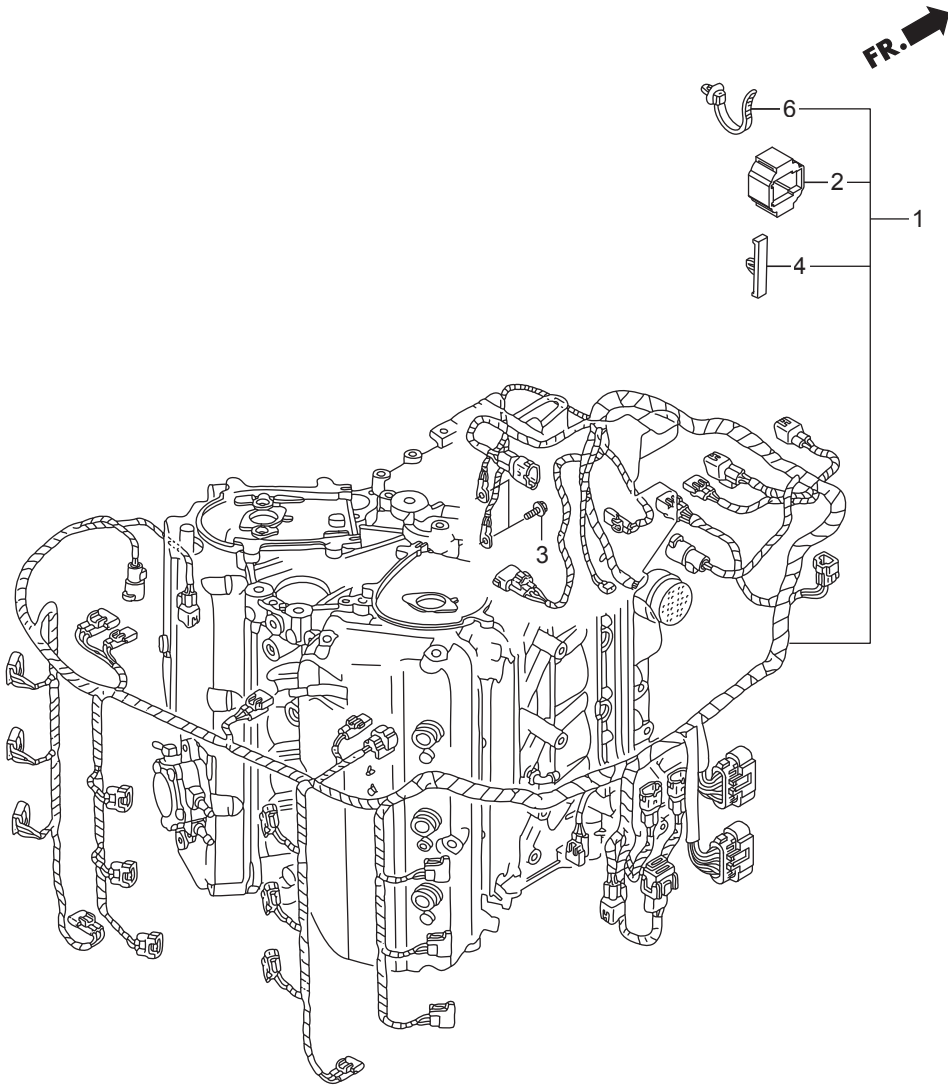


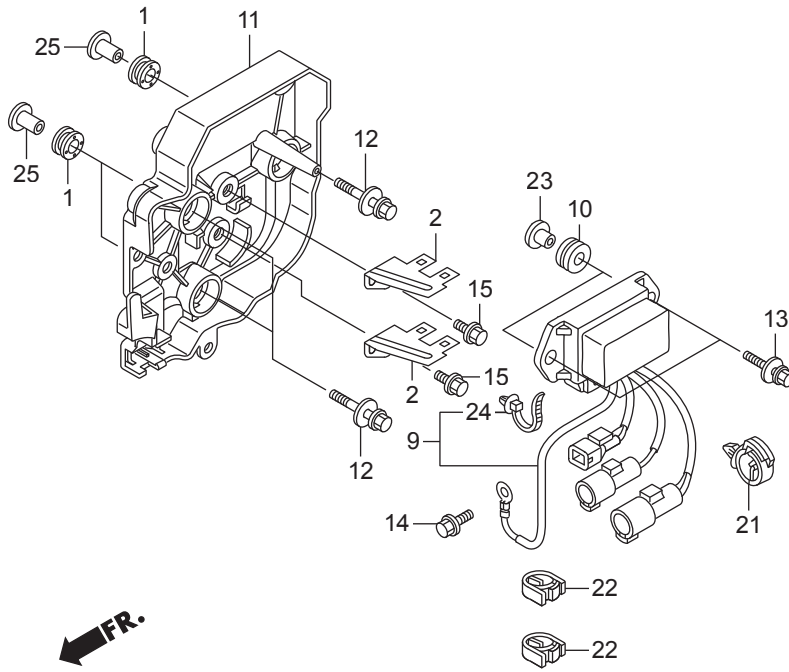


Ref.No.	Part No.	Description	Q' ty		Remarks	
			BFT200A	BFT225A		
F-5-1	1	HZY3-24101-A01	SHIFTER, CLUTCH	1	1	XCA
F-5-1	2	HZY3-24102-000	PIN, SHIFTER, 8X50	1	1	XCA
F-5-1	3	HZY3-24103-000	RING, CROSS PIN	1	1	XCA
F-5-1	4	HZY3-24113-A01	SLIDER COMP., SHIFT	1	1	XCA
F-5-1	5	HZY3-24122-A01	SLIDER, SHIFT	1	1	XCA
F-5-1	6	HZY3-24123-000	SPRING, SHIFT	2	2	XCA
F-5-1	7	HZY3-24124-310	PLATE, SHIFT	1	1	XCA
F-5-1	8	HZY3-41130-E00	GEAR SET(COUNTER ROTATION)	1	1	XCA
F-5-1	9	HZY3-41150-E00	GEAR COMP., BEVEL(RVS. 28T)	1	1	(COUNTER ROTATION) XCA
F-5-1	10	HZY3-41161-B00	SHAFT, PROPELLER (COUNTER ROTATION)	1	1	XCA
F-5-1	11	HZY3-41201-C00ZC	HOLDER, PROPELLER SHAFT	1	1	*T107* BAY BLUE XCA
F-5-1	12	HZY3-41202-700	HOLDER, BEARING(C/R)	1	1	XCA
F-5-1	13	HZY3-90123-000	BOLT, HEX., 12X45	2	2	XCA
F-5-1	14	HZW1-90301-B00	NUT, CASTLE, 18MM	1	1	XCA
F-5-1	15	HZY3-90506-000	WASHER, PROPELLER THRUST	1	1	XCA
F-5-1	16	HZW5-90509-711	WASHER, THRUST BEARING	2	2	XCA
F-5-1	17	HZY3-90512-000	WASHER, PROPELLER	1	1	XCA
F-5-1	18	HZY3-90528-000	SHIM A, BEVEL(0.10)	2	2	XCA
F-5-1	18	HZY3-90529-000	SHIM B, BEVEL(0.15)	2	2	XCA
F-5-1	18	HZY3-90530-000	SHIM C, BEVEL(0.30)	2	2	XCA
F-5-1	18	HZY3-90531-000	SHIM D, BEVEL(0.50)	2	2	XCA
F-5-1	19	HZW5-90548-710	SHIM A, THRUST(0.10)	1	1	XCA
F-5-1	19	HZW5-90549-710	SHIM B, THRUST(0.15)	1	1	XCA
F-5-1	19	HZW5-90550-710	SHIM C, THRUST(0.30)	1	1	XCA
F-5-1	19	HZW5-90551-710	SHIM D, THRUST(0.50)	1	1	XCA
F-5-1	20	HZV5-90559-000	WASHER, PLAIN, 12MM	2	2	XCA
F-5-1	21	HZW1-90758-B00	PIN, SPLIT, 4.0	1	1	XCA
F-5-1	22	HPT2-91005-N01	BEARING, THRUST(F)	1	1	XCA
F-5-1	23	HZY3-91051-003	BEARING, TAPER, 50X90X21.5	1	1	XCA

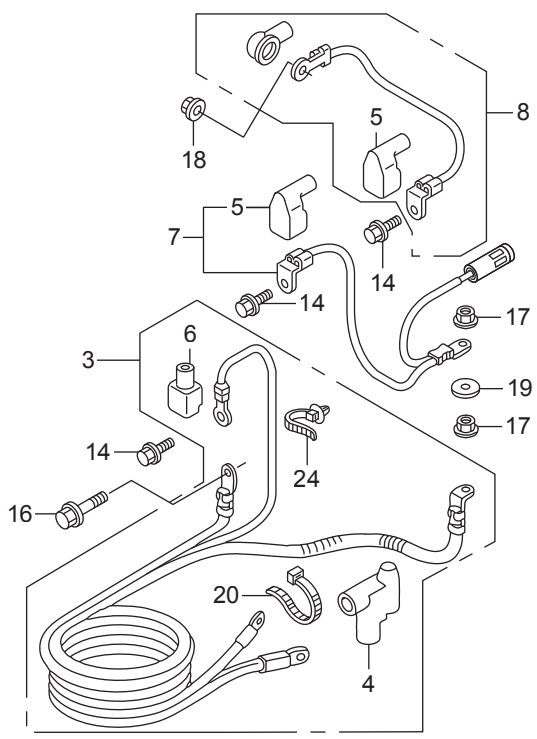




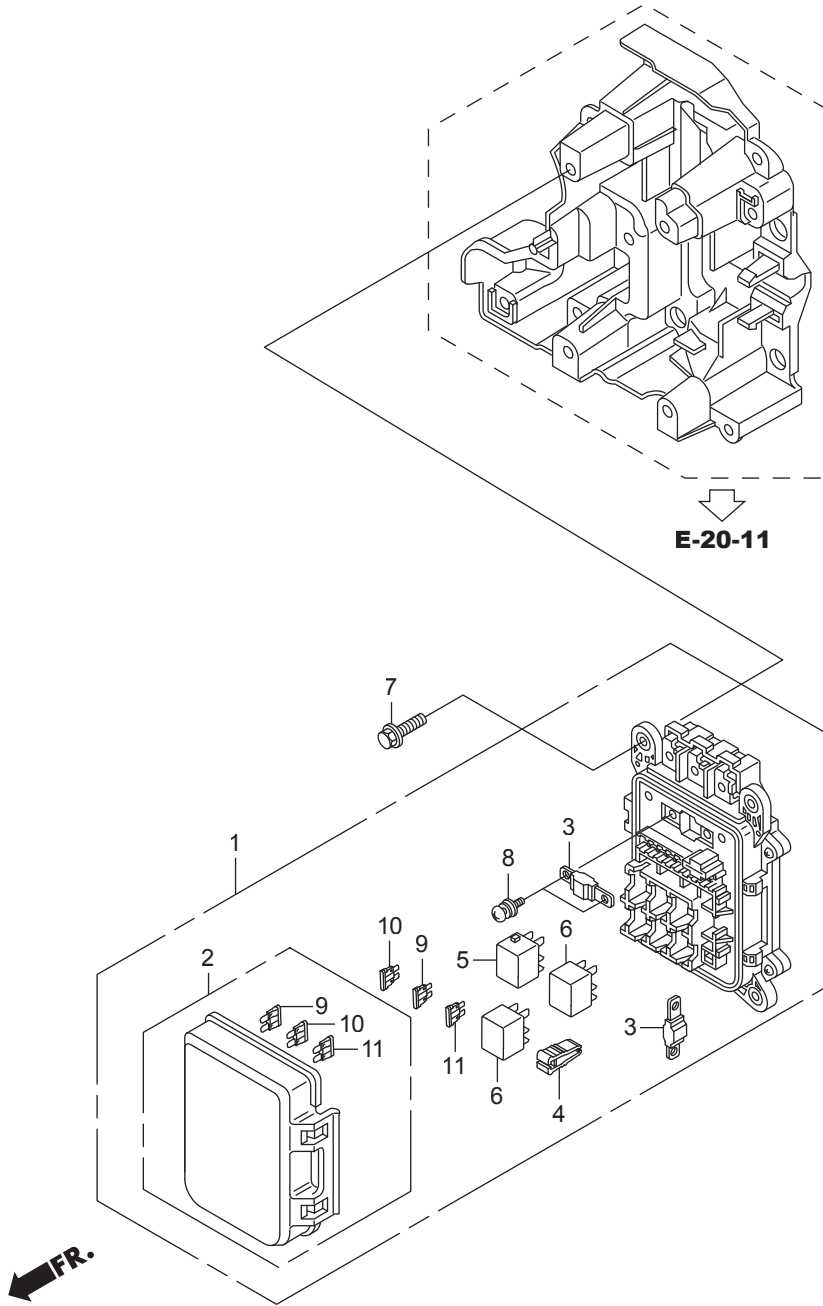


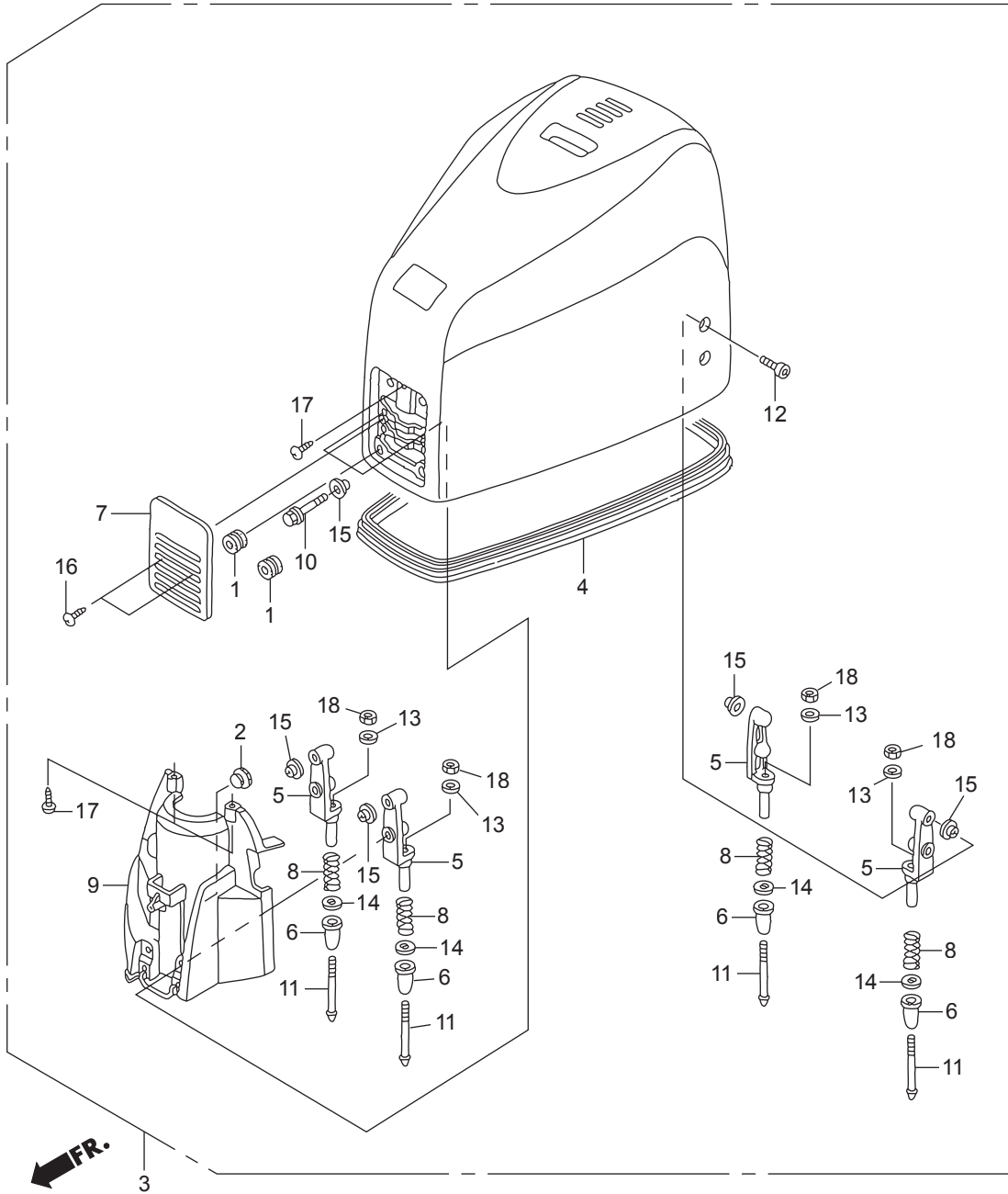


FR.

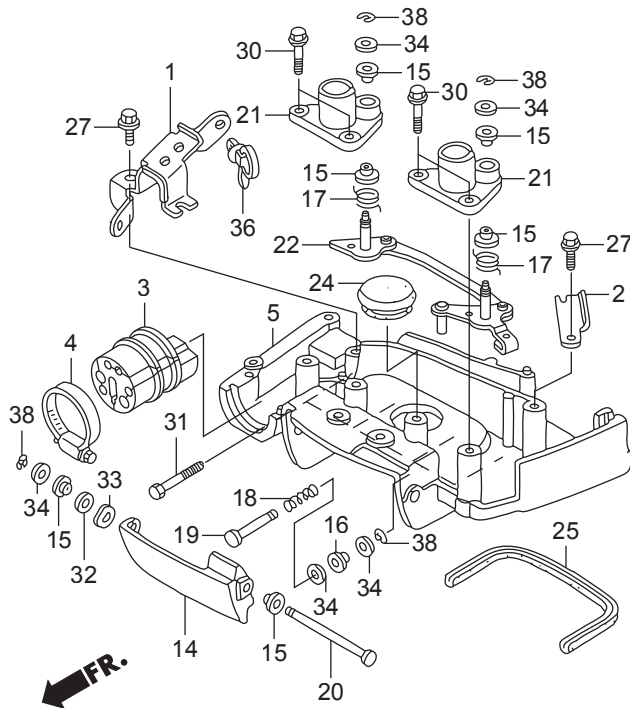
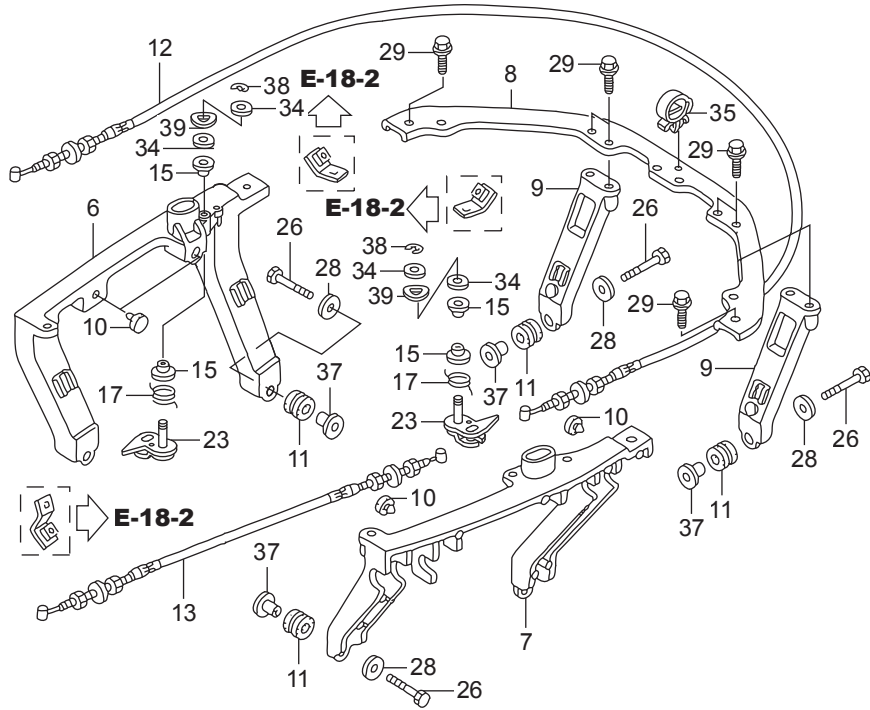


Ref.No.	Part No.	Description	Q' ty		Remarks	
			BFT200A	BFT225A		
F-7-11	1	HZY9-30419-003	GROMMET, ELECTRONIC PARTS CASE	3	3	
F-7-11	2	HZY9-32103-000	BRACKET C, COUPLER	2	2	
F-7-11	3	HZX2-32410-000	CABLE ASSY., STARTER	1	1	
F-7-11	4	HZY3-32411-003	COVER, STARTER TERMINAL	1	1	
F-7-11	5	HZX2-32414-300	COVER B, TERMINAL(L)	2	2	
F-7-11	6	HZY6-32414-640	COVER B, TERMINAL	1	1	
F-7-11	7	HZX2-32415-000	CABLE ASSY., POWER TILT RELAY	1	1	
F-7-11	8	HZX2-32435-000	CORD, A.C. GENERATOR	1	1	
F-7-11	9	HZX2-38550-003	RELAY ASSY., POWER TILT	1	1	
F-7-11	10	HZW1-38551-000	GROMMET, RELAY	2	2	
F-7-11	11	HZX2-38552-000	CASE, POWER TILT RELAY	1	1	
F-7-11	12	HZW2-90003-000	BOLT-WASHER, 6X27(CT200)	3	3	
F-7-11	13	HZW1-90013-000	BOLT-WASHER, 6X25	2	2	
F-7-11	14	HZW9-90013-000	BOLT, FLANGE, 6X12	4	4	
F-7-11	15	HZW9-90014-000	BOLT, FLANGE, 6X10	2	2	
F-7-11	16	HZY3-90107-000	BOLT, FLANGE, 8X18	1	1	
F-7-11	17	HZW1-90203-000	NUT-WASHER, 8MM	2	2	
F-7-11	18	HZY3-90304-000	NUT-WASHER, 6MM	1	1	
F-7-11	19	HZY3-90405-000	WASHER, PLAIN, 8MM	1	1	
F-7-11	20	HSB2-90620-003	BAND, WIRE HARNESS	1	1	
F-7-11	21	H763-90681-A01	CLIP, WIRE HARNESS	1	1	
F-7-11	22	HZX2-90683-003	CLIP, WIRE HARNESS	2	2	
F-7-11	23	HZZ5-91501-000	COLLAR, MOUNTING(6MM)	2	2	
F-7-11	24	HS0A-91541-003	CLIP, HARNESS BAND(BLACK)	4	4	(145MM)
F-7-11	25	HZV5-91553-010	COLLAR, C.D.I. UNIT CASE	3	3	

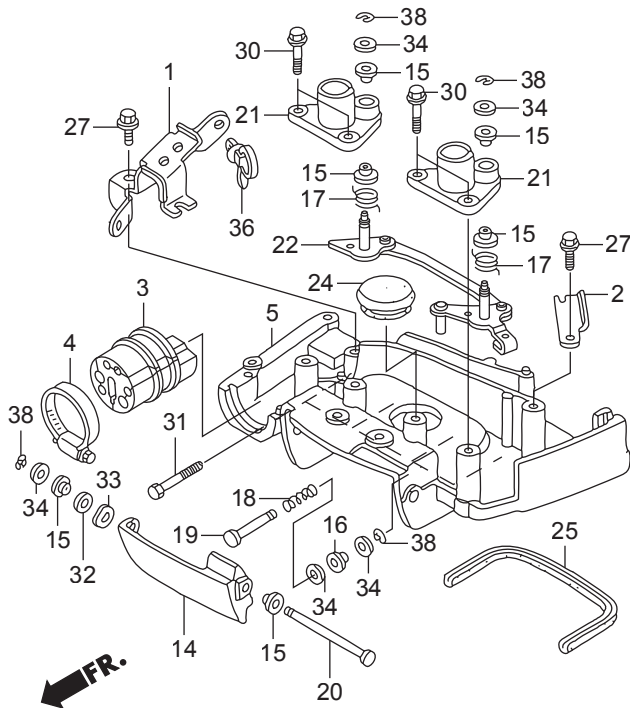
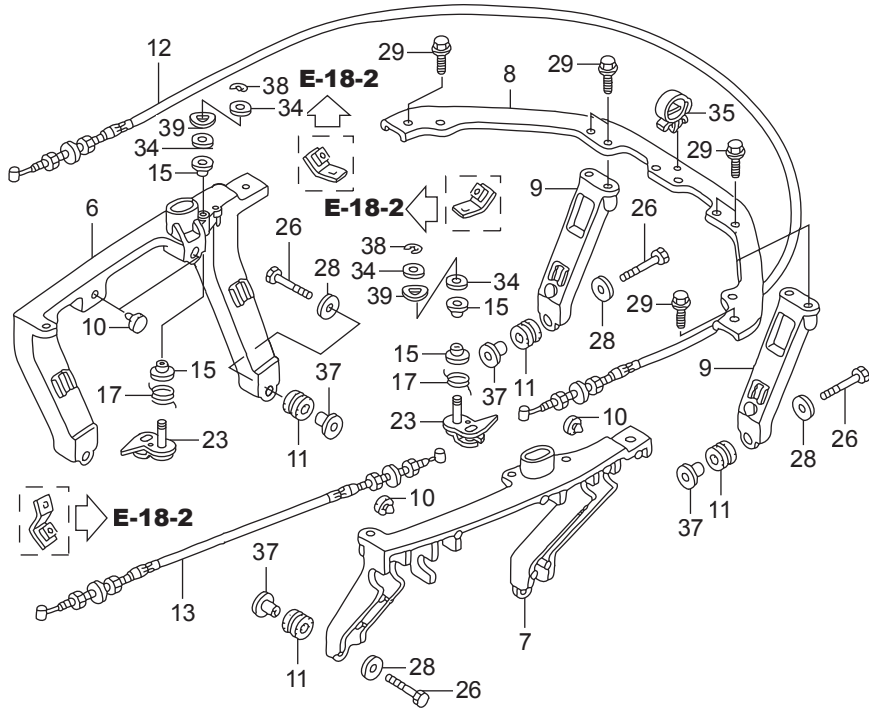


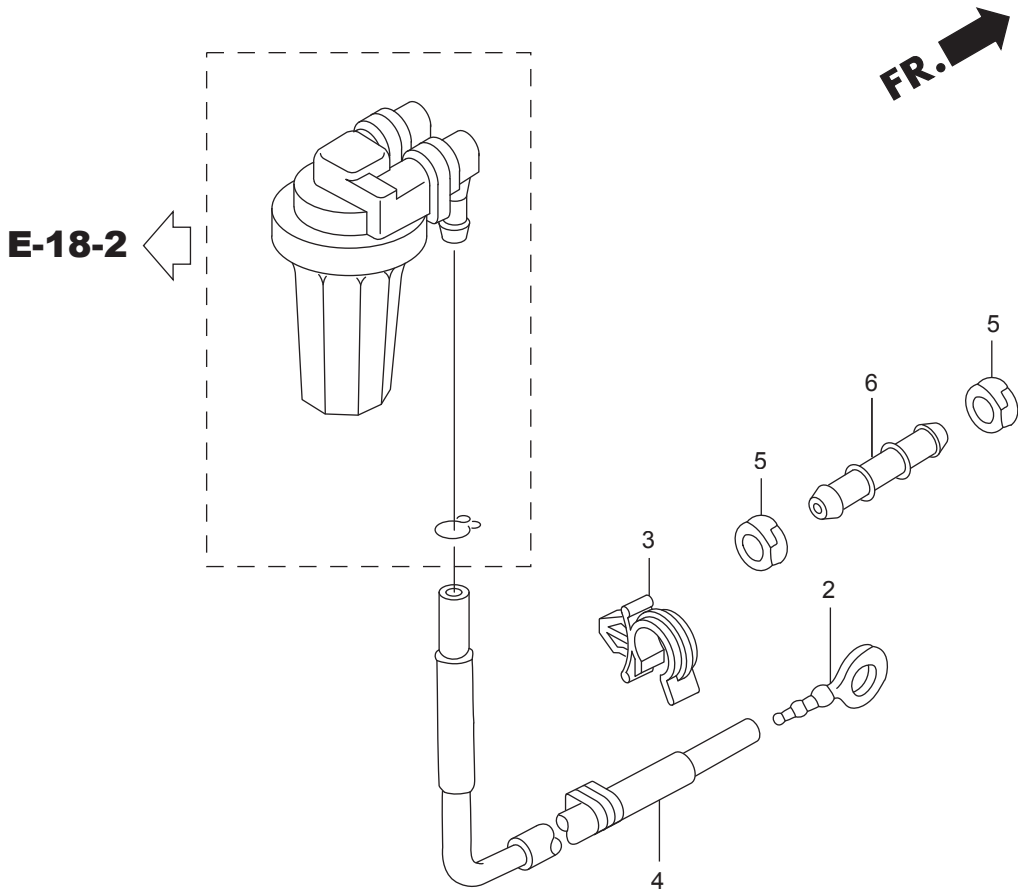


Ref.No.	Part No.	Description	Q' ty		Remarks	
			BFT200A	BFT225A		
F-8	1	HKE8-17251-690	GROMMET, AIR CLEANER CASE	4	4	
F-8	2	HCO-95551-20000	PLUG, BLIND, 20MM	1	1	
F-8	3	HZY2-63100-R00ZA	COVER ASSY., ENGINE	1		*T107* BAY BLUE #~6000078 LA,XA
F-8	3	HZY2-63100-R00ZA	COVER ASSY., ENGINE		1	*T107* BAY BLUE #~6000089 LA,XA
F-8	3	HZY2-63100-R00ZA	COVER ASSY., ENGINE		1	*T107* BAY BLUE #~7000012 XCA
F-8	3	HZY2-63100-R01ZA	COVER ASSY., ENGINE	1		*T107* BAY BLUE #6000079~ LA,XA
F-8	3	HZY2-63100-R01ZA	COVER ASSY., ENGINE		1	*T107* BAY BLUE #6000090~ LA,XA
F-8	3	HZY2-63100-R01ZA	COVER ASSY., ENGINE		1	*T107* BAY BLUE #7000013~ XCA
F-8	4	HZY3-63102-010	SEAL, ENGINE COVER	1	1	
F-8	5	HZY3-63107-000	BRACKET, HOOK	4	4	
F-8	6	HZY3-63108-000	DAMPER, HOOK	4	4	
F-8	7	HZY3-63111-310ZD	COVER, FR.	1	1	*T107* BAY BLUE
F-8	8	HZX2-63119-C00	SPRING, LOCK ADJUSTER	4	4	
F-8	9	HZY3-63143-H00	DUCT, ENGINE COVER	1	1	
F-8	10	HZW9-90105-000	BOLT, FLANGE, 6X20	4	4	
F-8	11	HZY3-90109-010	BOLT, COVER LOCK	4	4	
F-8	12	HZX1-90133-R00	BOLT, SOCKET, 6X16	4	4	
F-8	13	H921-90504-010	WASHER, PLAIN, 6MM	4	4	
F-8	14	HZY3-90507-000	WASHER, PLAIN, 12MM	4	4	
F-8	15	HZY3-91556-000	COLLAR, DISTANCE, 6.5X9X3	12	12	
F-8	16	HCO-93911-141J0	SCREW, TAPPING, 4X10	2	2	
F-8	17	HCO-93913-141J0	SCREW, TAPPING, 4X10	3	3	
F-8	18	HCO-94002-06490-0S	NUT, HEX., 6MM	4	4	

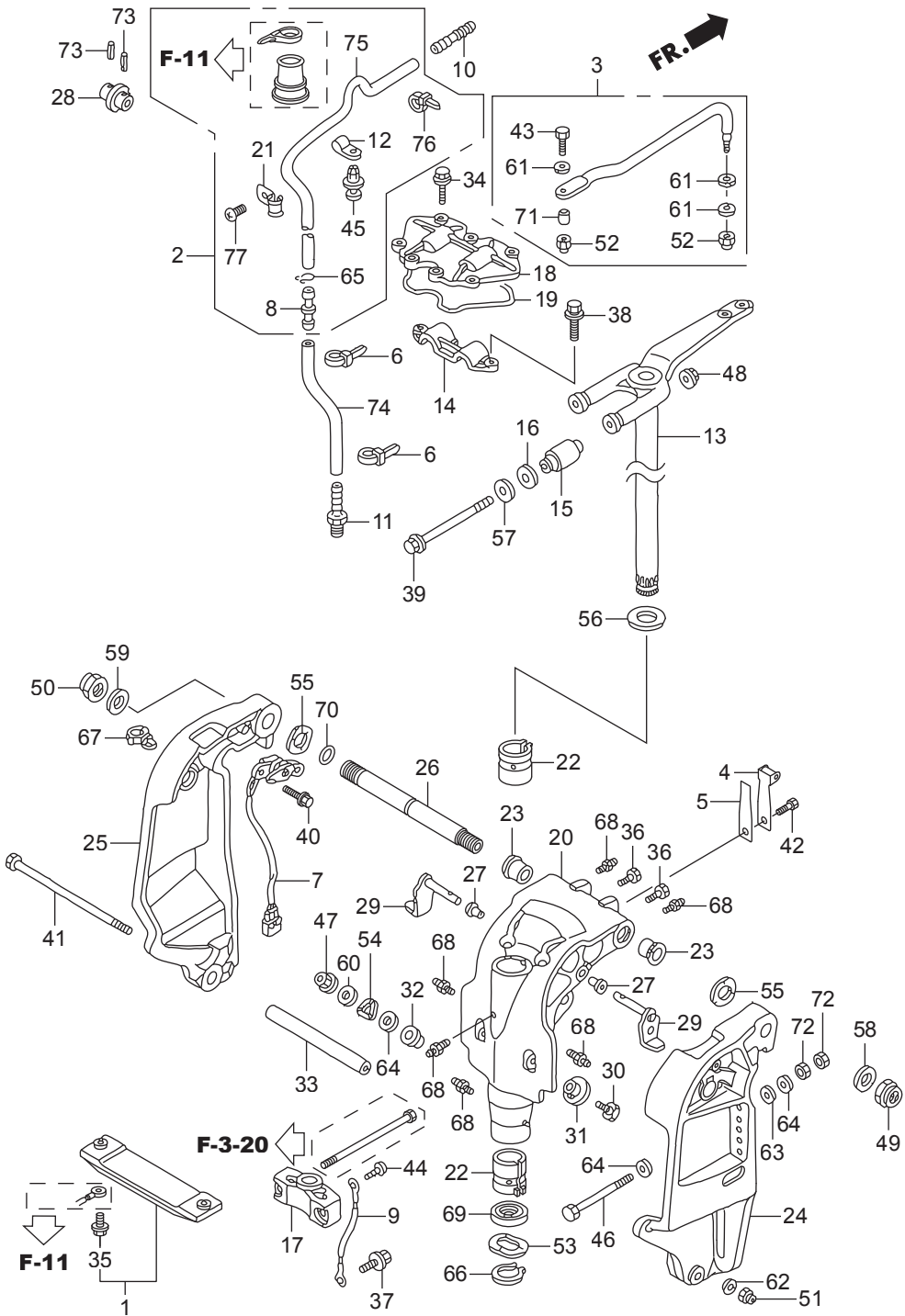


Ref.No.	Part No.	Description	Q' ty		Remarks	
			BFT200A	BFT225A		
F-8-10	1	HZY3-32419-A00	BRACKET, CABLE	1	1	
F-8-10	2	HZY3-32421-000	PLATE, STARTER CABLE	1	1	
F-8-10	3	HZY3-40105-C01	GROMMET A, UNDER CASE	1	1	
F-8-10	4	HZY3-40119-003	BAND, UNDER CASE GROMMET	1	1	
F-8-10	5	HZY3-40154-000ZA	BRACKET, FR. COVER	1	1	*NH8* DARK GRAY
F-8-10	6	HZY3-40155-000	BRACKET, R. SIDE COVER	1	1	
F-8-10	7	HZY3-40157-000	BRACKET, L. SIDE COVER	1	1	
F-8-10	8	HZY3-40158-000	BRACKET A, RR. COVER	1	1	
F-8-10	9	HZY3-40159-000	BRACKET B, RR. COVER	2	2	
F-8-10	10	H196-47117-000	RUBBER, STOPPER	4	4	
F-8-10	11	H121-51640-730	RUBBER, FR. CARRIER CUSHION	6	6	
F-8-10	12	HZY3-60180-C01	CABLE COMP. A, COVER LOCK	1	1	
F-8-10	13	HZY3-60185-C01	CABLE COMP. B, COVER LOCK	1	1	
F-8-10	14	HZY3-63201-000ZC	LEVER, COVER LOCK	1	1	*T107* BAY BLUE
F-8-10	15	HZY3-63205-000	BUSH A, COVER LOCK	10	10	
F-8-10	16	HZY3-63208-000	BUSH B, COVER LOCK	1	1	
F-8-10	17	HZY3-63212-000	SPRING, COVER LOCK HOOK	4	4	
F-8-10	18	HZY3-63223-000	SPRING, LOCK LEVER RETURN	1	1	
F-8-10	19	HZY3-63224-000	SHAFT, COVER OPEN	1	1	
F-8-10	20	HZY3-63225-000	SHAFT, FR. LOCK	1	1	
F-8-10	21	HZY3-63226-000	HOLDER, STRIKER	2	2	
F-8-10	22	HZY3-63230-C00	LOCK ASSY., FR.	1	1	
F-8-10	23	HZX2-63260-C00	LOCK COMP., SIDE	2	2	
F-8-10	24	HZC0-63515-700	CAP, L. SIDE COVER	1	1	
F-8-10	25	HZY3-63729-003	SEAL D, UNDER COVER	1	1	
F-8-10	26	HZV5-90009-000	BOLT, HEX., 8X35	6	6	
F-8-10	27	HZY3-90021-000	BOLT, FLANGE, 6X14	2	2	
F-8-10	28	HML0-90101-720	WASHER, PLAIN, 8MM	6	6	
F-8-10	29	HZW9-90102-000	BOLT, FLANGE, 6X12	6	6	

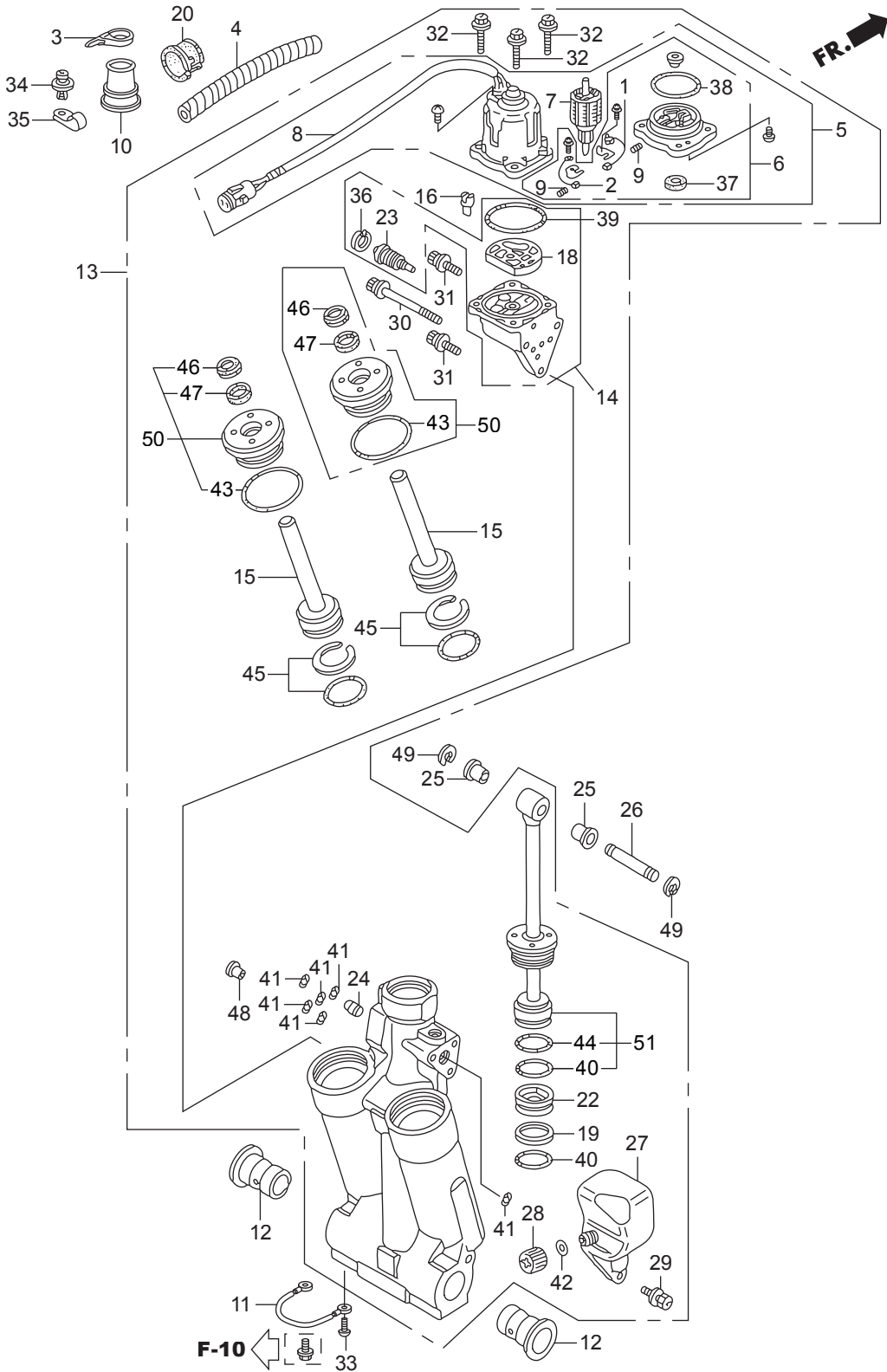




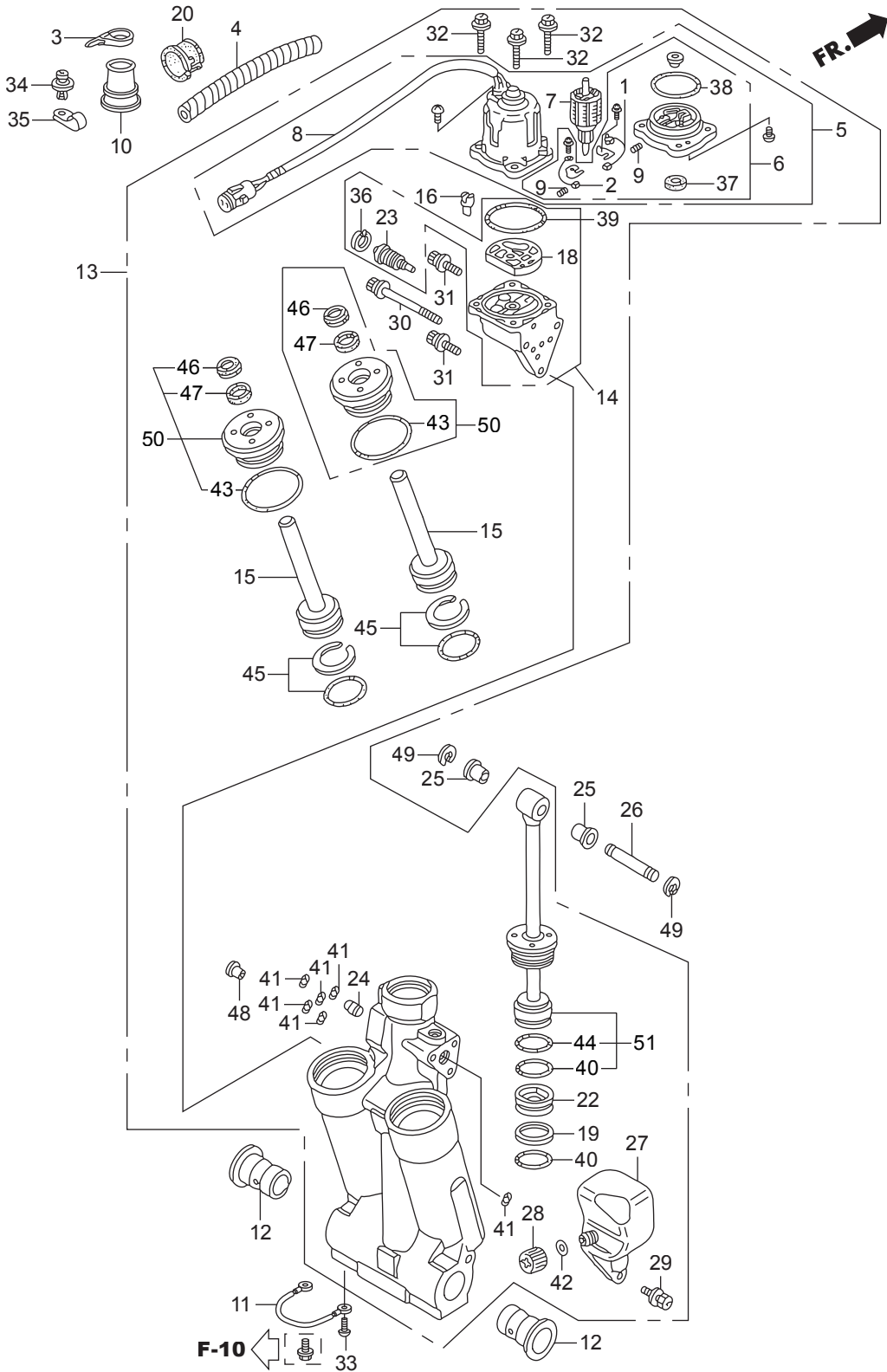
Ref.No.	Part No.	Description	Q' ty		Remarks	
			BFT200A	BFT225A		
F-10	1	HZW1-06411-020	METAL KIT, ANODE	1	1	
F-10	2	HZY3-06412-000	TUBE KIT, SPEED SENSOR	1	1	
F-10	3	HZY3-06532-U00	ROD KIT, STEERING	1	1	
F-10	4	HZV1-24210-010	SPRING COMP., CLICK	1	1	
F-10	5	HZV4-24221-010	SPRING, CLICK ASSIST	1	1	
F-10	6	HKM3-32161-003	BAND, WIRE	2	2	
F-10	7	HZY3-35660-003	SENSOR ASSY., TRIM ANGLE	1	1	
F-10	8	H663-38562-920	JOINT B, WASHER TUBE(MITSUBA)	1	1	
F-10	9	HZY3-40219-013	WIRE, LEAD(1.5X116MM)	1	1	
F-10	10	HZV5-41171-000	END, NIPPLE	1	1	
F-10	11	HZV5-41172-000	NIPPLE, SENSOR	1	1	
F-10	12	HZY3-41179-A00	CLAMPER, SENSOR TUBE	2	2	
F-10	13	HZY3-50100-A01	FRAME COMP., MOUNTING(L)	1	1	LA
F-10	13	HZY3-50100-A11	FRAME COMP., MOUNTING(XL)	1	1	XA,XCA
F-10	14	HZY3-50109-000	HOUSING, UPPER MOUNTING	1	1	
F-10	15	HZY3-50151-000	MOUNT COMP., UPPER RUBBER	2	2	
F-10	16	HZY3-50153-000	RUBBER, UPPER MOUNT STOPPER	2	2	
F-10	17	HZY3-50161-000ZD	HOUSING, LOWER CENTER MOUNTING	1	1	*T107* BAY BLUE LA
F-10	17	HZY3-50161-610	HOUSING, LOWER CENTER MOUNTING	1	1	(XL)XA,XCA
F-10	18	HZY3-50166-000	COVER, UPPER MOUNT	1	1	
F-10	19	HZY3-50168-000	SEAL, UPPER MOUNT COVER	1	1	
F-10	20	HZY3-50201-C01ZD	CASE, SWIVEL	1	1	*T107* BAY BLUE LA
F-10	20	HZY3-50201-C11ZC	CASE, SWIVEL	1	1	*T107* BAY BLUE XA,XCA
F-10	21	HZY3-50209-A00	CLAMP, TUBE	2	2	
F-10	22	HZY3-50211-000	LINER, SWIVEL CASE	2	2	
F-10	23	HZY3-50214-000	BUSH, SWIVEL CASE	2	2	
F-10	24	HZY3-50301-030ZC	BRACKET, R. STERN	1	1	*T107* BAY BLUE
F-10	25	HZY3-50311-020ZC	BRACKET, L. STERN	1	1	*T107* BAY BLUE
F-10	26	HZY3-50381-000	SHAFT, TILTING	1	1	



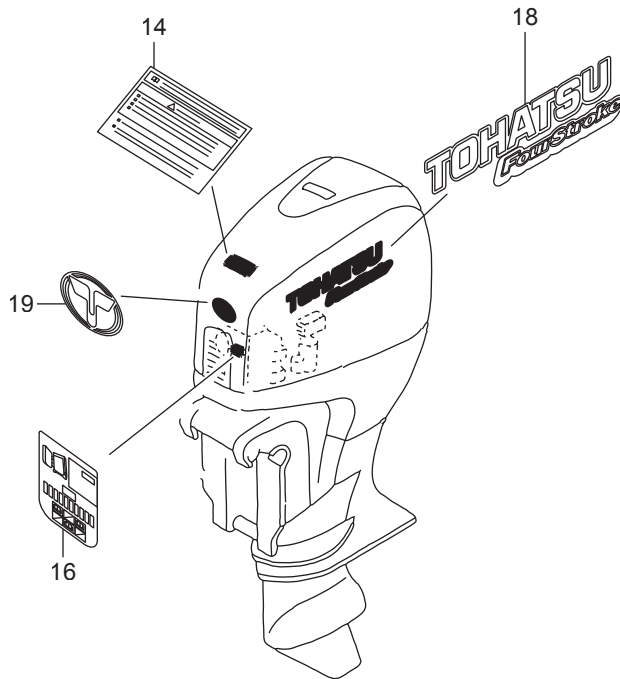
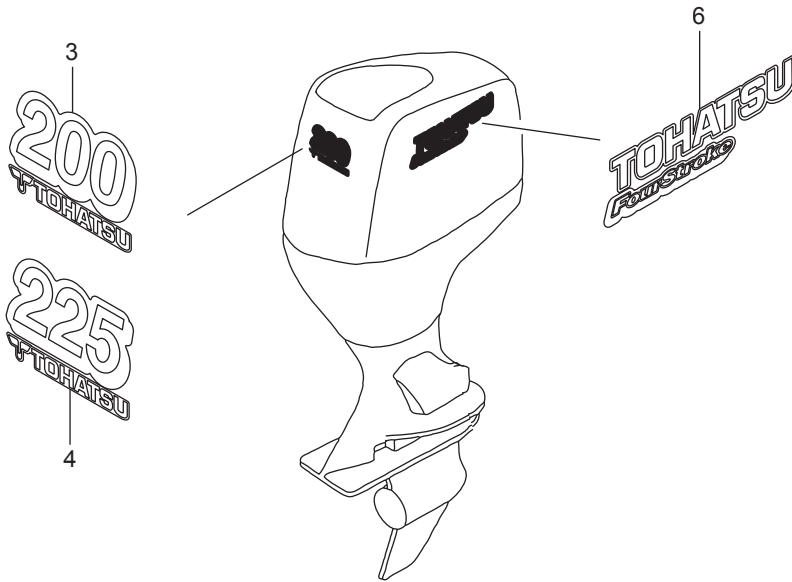
Ref.No.	Part No.	Description	Q' ty		Remarks	
			BFT200A	BFT225A		
F-10	27	HZY3-50522-000	BUSH, TILT ARM	2	2	
F-10	28	HZY3-50527-000	BRACKET, TILTING	1	1	
F-10	29	HZY3-50529-000	STOPPER, TILT	2	2	
F-10	30	HZY3-56516-A00	RECEIVER, THRUST	2	2	
F-10	31	HZY3-56518-A00	BUSH A, THRUST RECEIVE	2	2	
F-10	32	HZY3-56519-A00	BUSH B, THRUST RECEIVE	2	2	
F-10	33	HZW1-56539-000	COLLAR, LOWER CYLINDER	1	1	
F-10	34	HZW9-90005-000	BOLT, FLANGE, 6X20	7	7	
F-10	35	HZW9-90009-000	BOLT, FLANGE, 6X23	2	2	
F-10	36	HZW1-90102-000	BOLT, 1/4-28UNF	2	2	
F-10	37	HZW9-90103-010	BOLT, FLANGE, 6X12	1	1	
F-10	38	HZY6-90103-000	BOLT-WASHER, 10X32	3	3	
F-10	39	HZY3-90104-010	BOLT, HEX., 12X200	2	2	
F-10	40	HZW9-90105-000	BOLT, FLANGE, 6X20	2	2	
F-10	41	HZW1-90108-000	BOLT, HEX., 10X235	1	1	
F-10	42	H881-90110-000	BOLT, HEX., 6X14	1	1	
F-10	43	HZY3-90117-000	BOLT, 3/8-24UNF	1	1	
F-10	44	HZV5-90119-000	SCREW, PAN, 6X8	1	1	
F-10	45	HZV5-90127-003	SCREW, RIVET, 5X10	2	2	
F-10	46	HZX2-90129-000	BOLT, HEX., 12X130	6	6	
F-10	47	HZY1-90205-000	NUT, SELF-LOCK, 6MM	2	2	
F-10	48	HZW5-90302-003	NUT, FLANGE, 12MM	2	2	
F-10	49	HZV5-90304-013	NUT, SELF-LOCK(7/8-14UNF)	1	1	
F-10	50	HZW1-90304-013	NUT, SELF-LOCK(25X2.0)	1	1	
F-10	51	HZW4-90306-003	NUT, FLANGE, 10MM	1	1	
F-10	52	HZV5-90307-003	NUT, SELF-LOCK(3/8-24UNF)	2	2	
F-10	53	HZV5-90501-000	WASHER, WAVE, 40MM	1	1	
F-10	54	HZY3-90501-A00	WASHER, WAVE, 12MM	2	2	
F-10	55	HZV5-90502-000	WASHER, WAVE, 26MM	2	2	

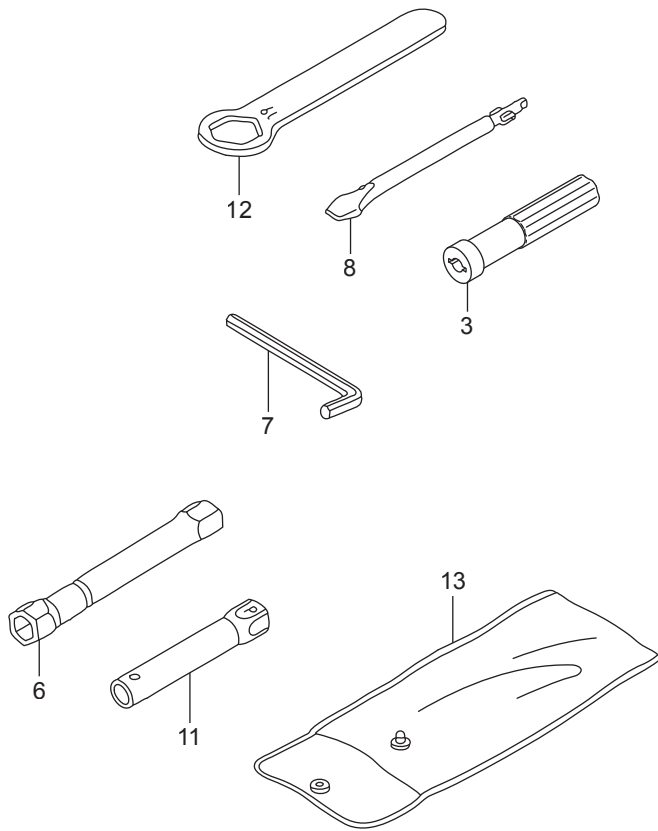


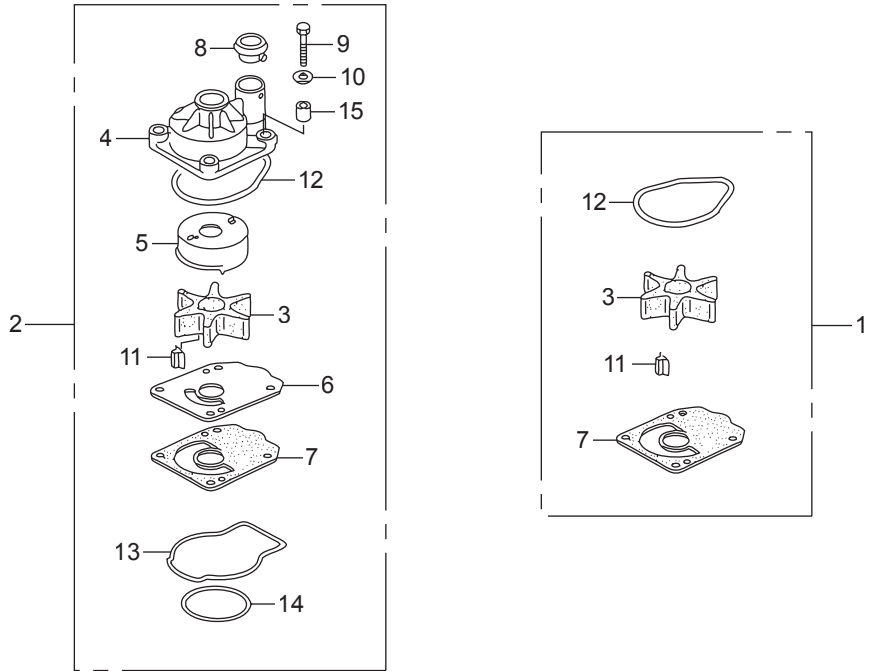
Ref.No.	Part No.	Description	Q' ty		Remarks	
			BFT200A	BFT225A		
F-11	1	HZX2-30280-003	BREAKER ASSY.	1	1	
F-11	2	HZX2-31106-003	BRUSH ASSY.	1	1	
F-11	3	HMG9-35701-950	BAND(BLACK 3.5X140)	1	1	
F-11	4	HZW1-36104-003	TUBE, SPIRAL(12X14.6)	1	1	
F-11	5	HZX2-36120-013	MOTOR ASSY., POWER TILT	1	1	
F-11	6	HZX2-36122-003	BRACKET ASSY.	1	1	
F-11	7	HZY3-36123-013	ARMATURE COMP.	1	1	
F-11	8	HZX2-36129-003	YOKE ASSY.	1	1	
F-11	9	HZV5-36136-821	SPRING, MOTOR	2	2	
F-11	10	HZW1-40107-700	GROMMET, UNDER CASE(C)	3	3	
F-11	11	HZY3-40219-013	WIRE, LEAD(1.5X116MM)	1	1	
F-11	12	HZV5-50214-003	BUSH, SWIVEL CASE	2	2	
F-11	13	HZX2-56000-023	TRIM-TILT ASSY., POWER	1	1	
F-11	14	HZY3-56100-013	PUMP ASSY.	1	1	
F-11	15	HZW1-56110-701	ROD COMP., PISTON(B)	2	2	
F-11	16	HZW1-56113-701	JOINT, DRIVE	1	1	
F-11						
F-11	18	HZW1-56116-701	FILTER B	1	1	
F-11	19	HZV5-56117-821	RING, BACK UP	1	1	
F-11	20	HZV5-56118-820	BUSH, MOTOR CODE	1	1	
F-11						
F-11	22	HZW1-56130-702	PISTON COMP., FREE	1	1	
F-11	23	HZY3-56170-013	VALVE COMP., MANUAL	1	1	
F-11	24	HZW1-56180-701	VALVE COMP., RESERVOIR	1	1	
F-11	25	HZV5-56513-000	BUSH, LOWER CYLINDER	2	2	
F-11	26	HZY3-56532-000	PIN, UPPER CYLINDER	1	1	
F-11	27	HZW1-56851-703	TANK, OIL	1	1	
F-11	28	HZW1-56860-701	CAP COMP., OIL TANK	1	1	
F-11	29	HZW1-90113-702	BOLT, RECESSED	3	3	



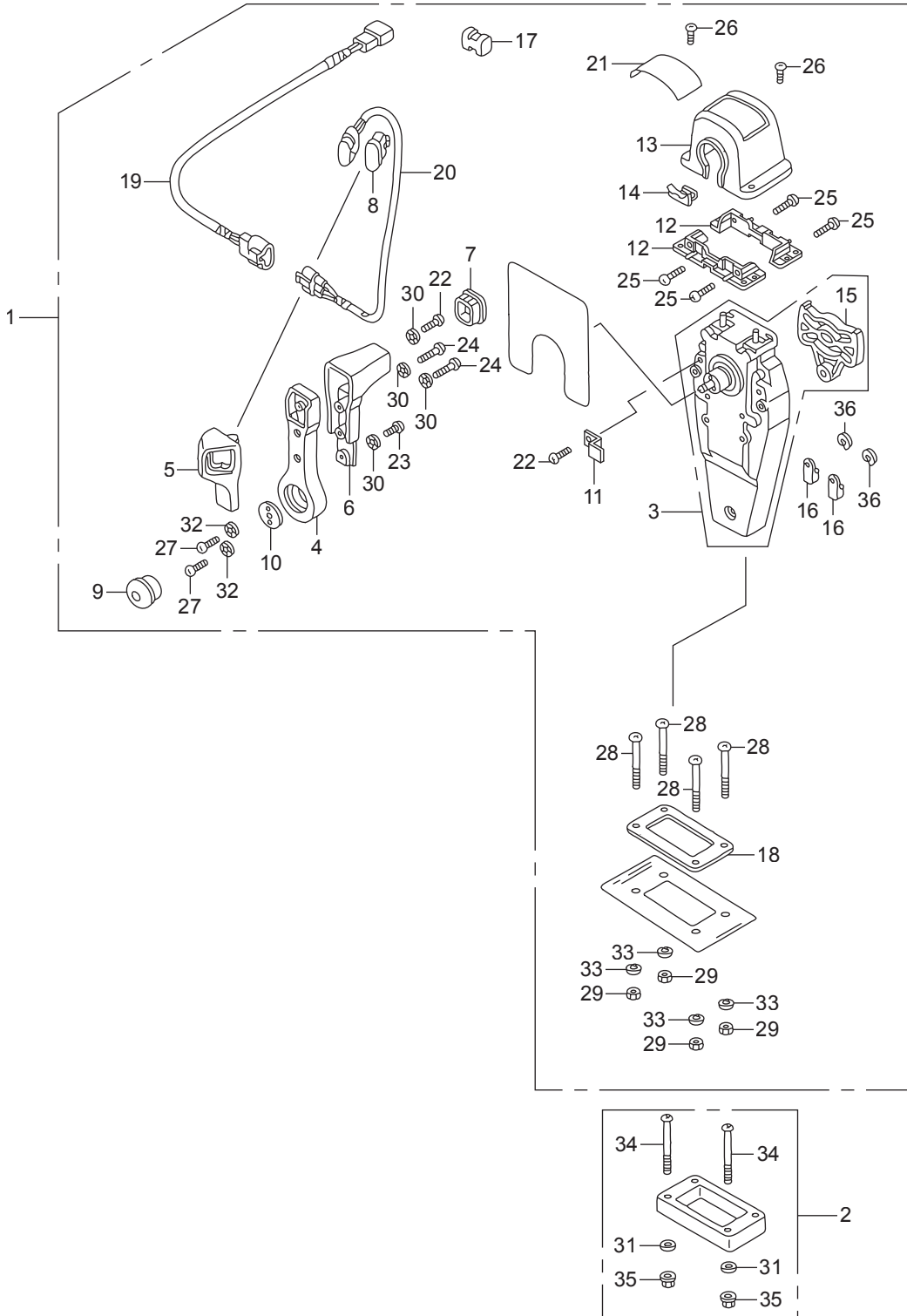
Ref.No.	Part No.	Description	Q' ty		Remarks	
			BFT200A	BFT225A		
F-11	30	HZW1-90114-702	BOLT, SOCKET(A)	1	1	
F-11	31	HZW1-90115-702	BOLT, SOCKET(B)	2	2	
F-11	32	HZW1-90116-702	BOLT, HEX.	4	4	
F-11	33	HZV5-90119-000	SCREW, PAN, 6X8	1	1	
F-11	34	HZV5-90127-003	SCREW, RIVET, 5X10	1	1	
F-11	35	HSB0-90602-003	CLIP, 10.7MM	1	1	
F-11	36	HZW1-90652-702	CIRCLIP, INTERNAL	1	1	
F-11	37	HZV5-91203-821	OIL SEAL	1	1	
F-11	38	HZW1-91207-013	O-RING, 2.0X70.5	1	1	
F-11	39	HZV5-91302-821	O-RING, 1.8X69.6	1	1	
F-11	40	HZV5-91316-821	O-RING, 3.5X38.7	2	2	
F-11	41	HZW1-91352-702	O-RING, 1.8X7.7	6	6	
F-11	42	HZW1-91353-703	O-RING, 1.9X11	1	1	
F-11	43	HZW1-91354-701	O-RING, 3.5X35.7	2	2	
F-11	44	HZW1-91355-701	O-RING, 3.5X41.7	1	1	
F-11	45	HZW1-91357-701	O-RING SET, 3.5X31.7	2	2	
F-11	46	HZW1-91358-701	SEAL, WATER	2	2	
F-11	47	HZW1-91361-701	PACKING	2	2	
F-11	48	HZW1-91557-701	COLLAR, ORIFICE	1	1	
F-11	49	HCO-94540-15029	E-RING, 15MM	2	2	
F-11	50	HZY9-56115-003	GUIDE COMP., ROD	2	2	
F-11	51	HZY3-56120-013	ROD COMP., PISTON	1	1	



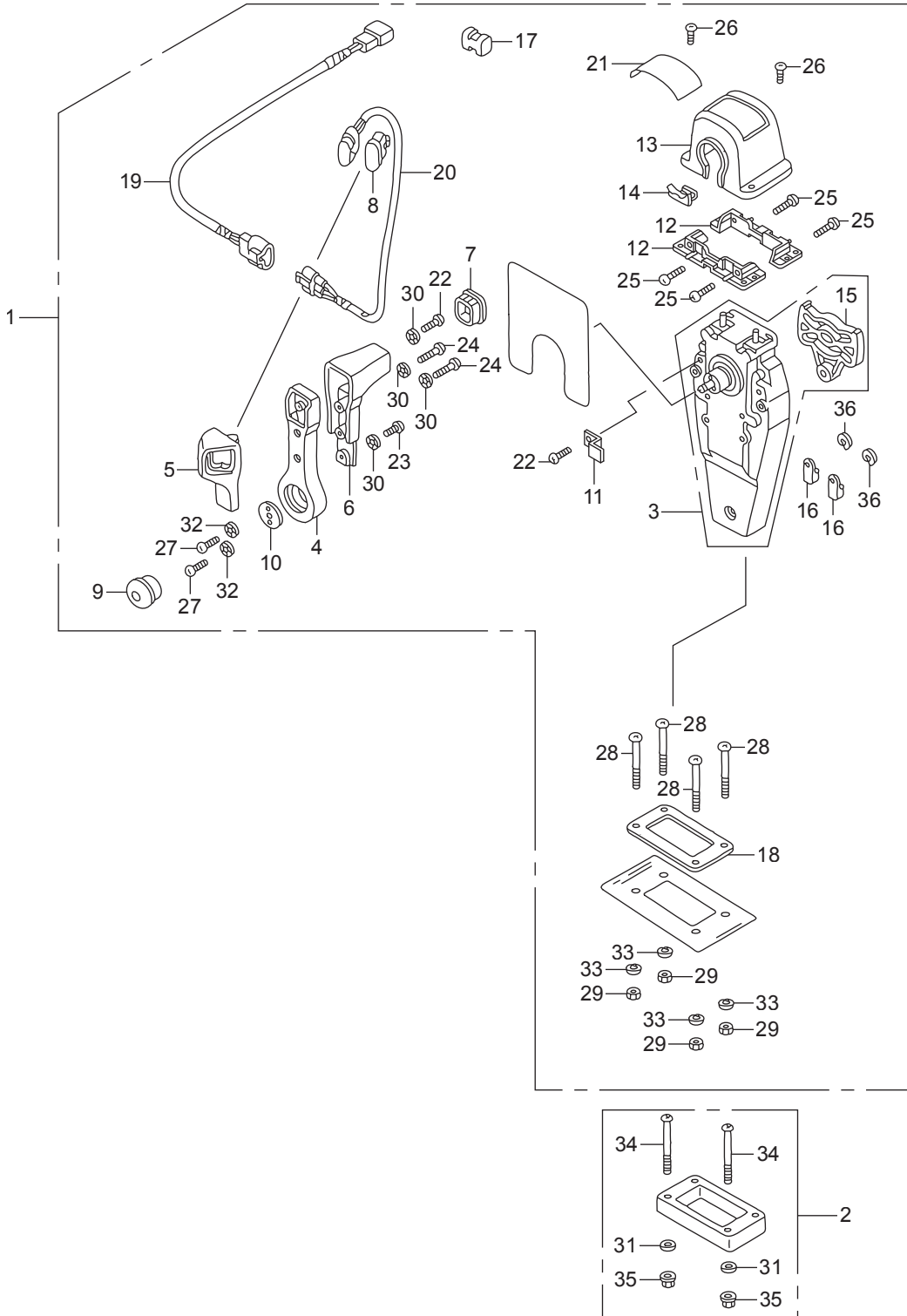


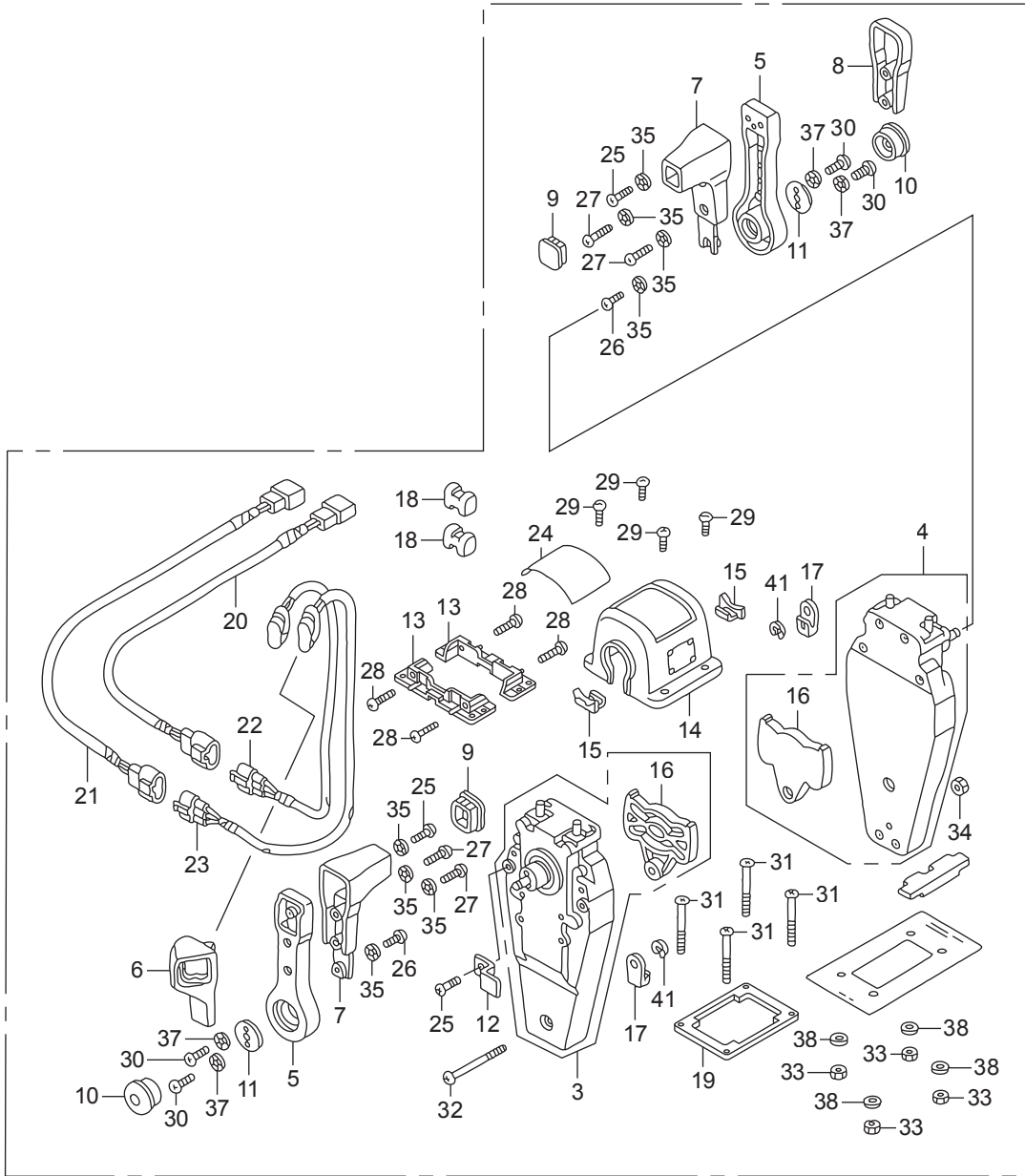


←FR.

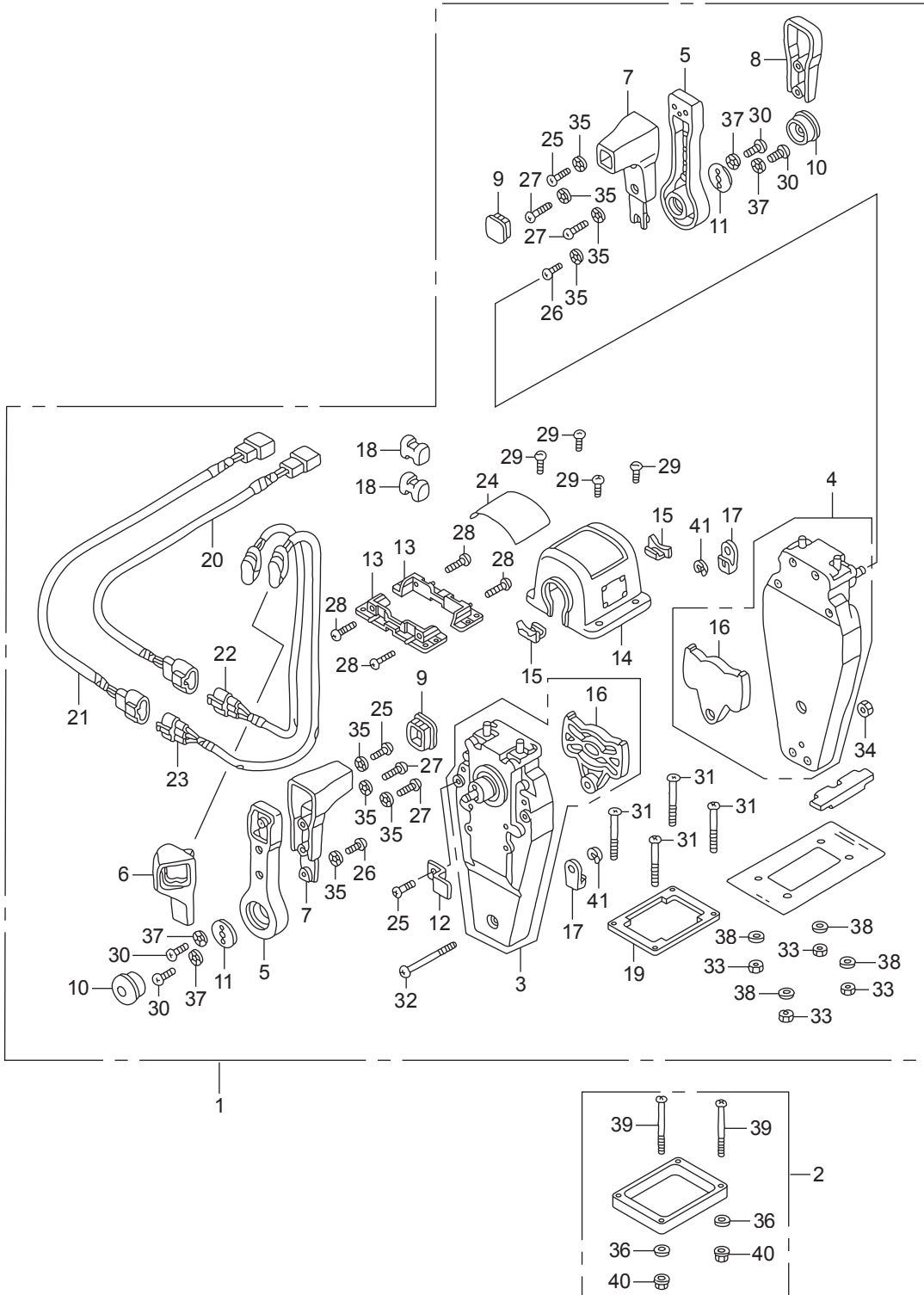


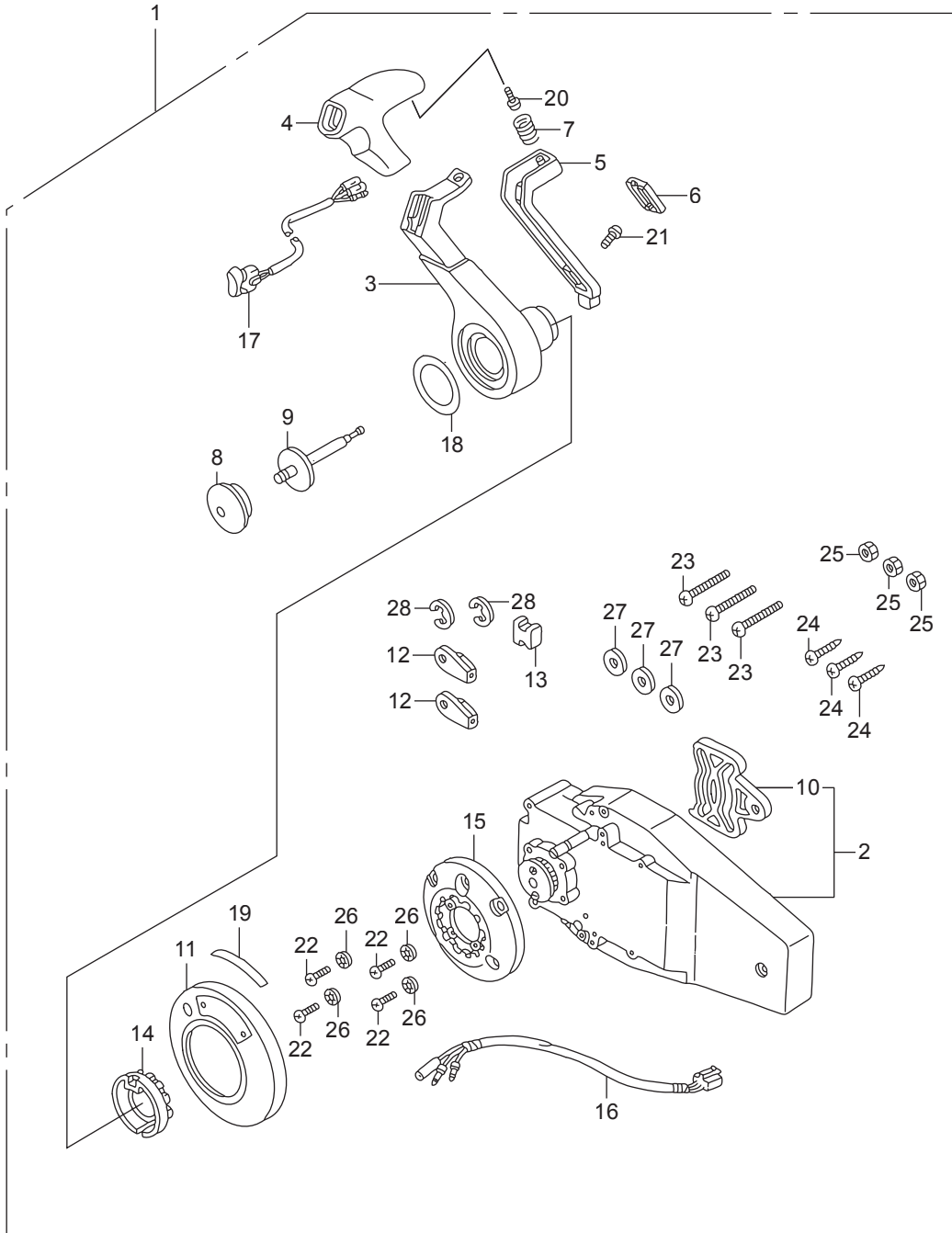
Ref.No.	Part No.	Description	Q' ty		Remarks	
			BFT200A	BFT225A		
FOP-3	1	HZZ3-06240-R30	BOX KIT, REMOTE CONTROL	1	1	(TOP MOUNT SINGLE)(R.)
FOP-3	2	HZW5-06241-U00	SPACER KIT, REMOTE CONTROL BOX	1	1	(TOP MOUNT SINGLE)
FOP-3	3	HZW5-24810-U01	HOUSING ASSY., L. INNER	1	1	(TOP MOUNT)
FOP-3	4	HZW5-24811-U01	HANDLE, REMOTE CONTROL	1	1	
FOP-3	5	HZW5-24812-U01	COVER, L. GRIP	1	1	
FOP-3	6	HZW5-24813-U01	GRIP, REMOTE CONTROL HANDLE	1	1	
FOP-3	7	HZW5-24814-U01	CAP, GRIP	1	1	
FOP-3	8	HZW5-24815-U01	CAP, SWITCH	1	1	
FOP-3	9	HZW5-24816-U01	BUTTON, THROTTLE	1	1	
FOP-3	10	HZW5-24817-U01	PLATE, HANDLE	1	1	
FOP-3	11	HZW5-24818-U01	PLATE, CABLE CLAMP	1	1	
FOP-3	12	HZW5-24819-U01	BRACKET, REMOTE CONTROL HOUSING	2	2	
FOP-3	13	HZZ3-24820-R11	HOUSING COMP., REMOTE CONTROL BOX	1	1	
FOP-3	14	HZW5-24825-U01	HOUSING, LEAD	1	1	
FOP-3	15	HZW5-24826-U01	PLATE, DWELL	1	1	
FOP-3	16	HZW5-24831-U01	TERMINAL, CABLE	2	2	
FOP-3	17	HZW5-24832-U01	SPACER, CABLE CLAMP	1	1	
FOP-3	18	HZW5-24834-U01	PACKING, SINGLE	1	1	
FOP-3	19	HZW7-32530-U00	SUB HARNESS ASSY., POWER TRIM-TILT(A)	1	1	
FOP-3	20	HZW5-35370-U02	SWITCH ASSY., POWER TRIM-TILT (A)	1	1	
FOP-3	21	HZZ3-87703-R81	MARK, REMOTE CONTROL(SINGLE)	1	1	
FOP-3	22	HZW5-90101-U00	SCREW, PAN, 5X16	2	2	
FOP-3	23	HZW5-90102-U00	SCREW, PAN, 5X10	1	1	
FOP-3	24	HZW5-90103-U01	SCREW, PAN, 5X20	2	2	
FOP-3	25	HZW5-90104-U00	SCREW, PAN, 5X18	4	4	
FOP-3	26	HZW5-90105-U01	SCREW, PAN, 4X10	2	2	
FOP-3	27	HZW5-90106-U00	SCREW, PAN, 6X18	2	2	
FOP-3	28	HZW5-90107-U00	SCREW, PAN, 5X40	4	4	
FOP-3	29	HZW5-90301-U00	NUT, HEX., 5MM	4	4	



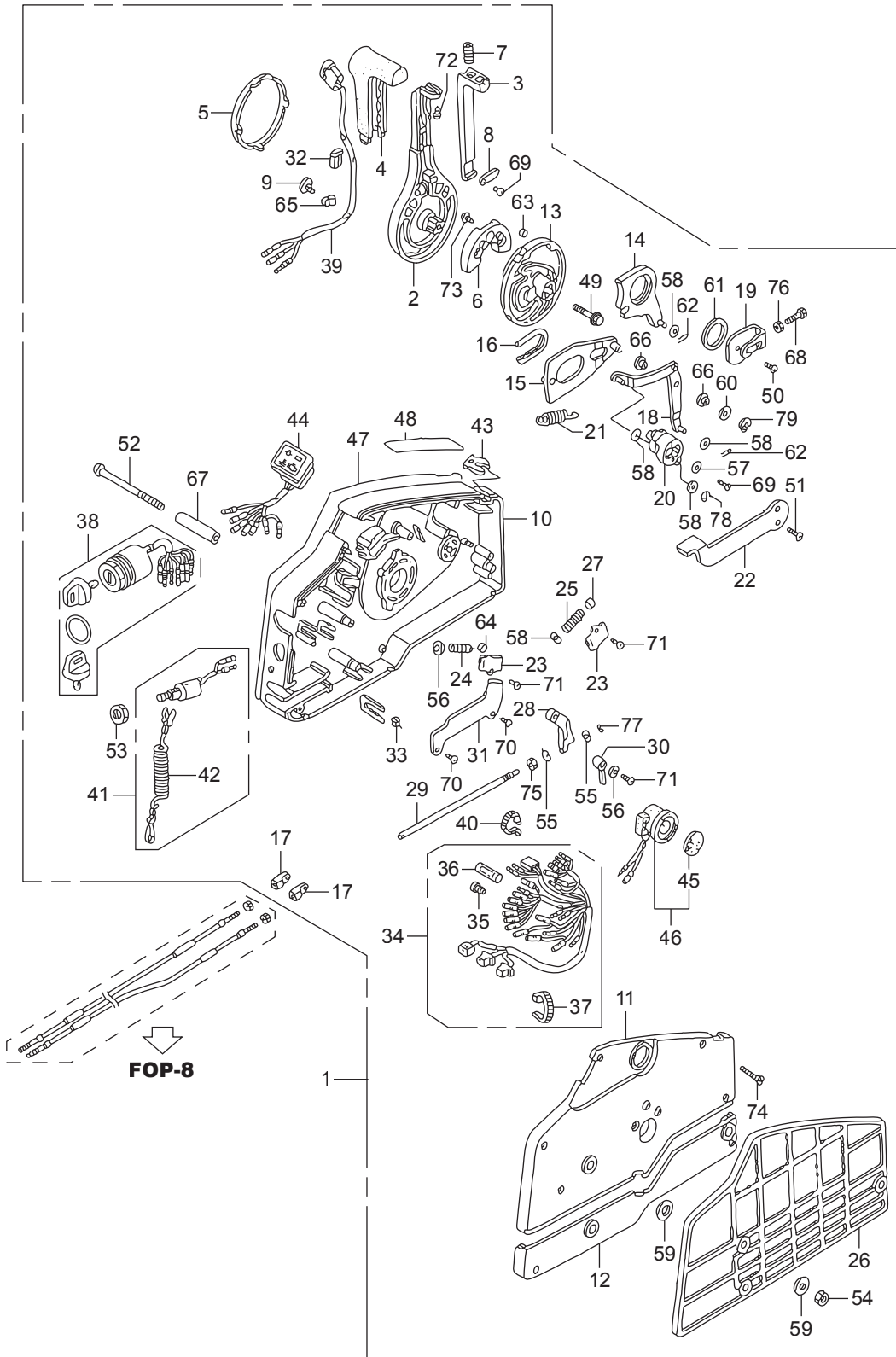


Ref.No.	Part No.	Description	Q' ty		Remarks	
			BFT200A	BFT225A		
FOP-3-2	1	HZZ3-06240-R60	BOX KIT, REMOTE CONTROL	1	1	(TOP MOUNT DUAL)(R.)
FOP-3-2	2	HZW5-06241-U10	SPACER KIT, REMOTE CONTROL BOX	1	1	(TOP MOUNT DUAL)
FOP-3-2	3	HZW5-24810-U01	HOUSING ASSY., L. INNER	1	1	(TOP MOUNT)
FOP-3-2	4	HZW5-24810-U11	HOUSING ASSY., R. INNER	1	1	(TOP MOUNT)
FOP-3-2	5	HZW5-24811-U01	HANDLE, REMOTE CONTROL	2	2	
FOP-3-2	6	HZW5-24812-U01	COVER, L. GRIP	1	1	
FOP-3-2	7	HZW5-24813-U01	GRIP, REMOTE CONTROL HANDLE	2	2	
FOP-3-2	8	HZW5-24813-U21	COVER, DUAL GRIP	1	1	
FOP-3-2	9	HZW5-24814-U01	CAP, GRIP	2	2	
FOP-3-2	10	HZW5-24816-U01	BUTTON, THROTTLE	2	2	
FOP-3-2	11	HZW5-24817-U01	PLATE, HANDLE	2	2	
FOP-3-2	12	HZW5-24818-U01	PLATE, CABLE CLAMP	1	1	
FOP-3-2	13	HZW5-24819-U01	BRACKET, REMOTE CONTROL HOUSING	2	2	
FOP-3-2	14	HZZ3-24820-R21	HOUSING COMP., REMOTE CONTROL BOX(DUAL)	1	1	
FOP-3-2	15	HZW5-24825-U01	HOUSING, LEAD	2	2	
FOP-3-2	16	HZW5-24826-U01	PLATE, DWELL	2	2	
FOP-3-2	17	HZW5-24831-U01	TERMINAL, CABLE	4	4	
FOP-3-2	18	HZW5-24832-U01	SPACER, CABLE CLAMP	2	2	
FOP-3-2	19	HZW5-24834-U21	PACKING, DUAL	1	1	
FOP-3-2	20	HZW7-32530-U00	SUB HARNESS ASSY., POWER TRIM-TILT(A)	1	1	
FOP-3-2	21	HZW7-32530-U10	SUB HARNESS ASSY., POWER TRIM-TILT(B)	1	1	
FOP-3-2	22	HZW5-35370-U02	SWITCH ASSY., POWER TRIM-TILT (A)	1	1	
FOP-3-2	23	HZW5-35370-U12	SWITCH ASSY., POWER TRIM-TILT (B)	1	1	
FOP-3-2	24	HZZ3-87703-R01	MARK, REMOTE CONTROL(DUAL)	1	1	
FOP-3-2	25	HZW5-90101-U00	SCREW, PAN, 5X16	3	3	
FOP-3-2	26	HZW5-90102-U00	SCREW, PAN, 5X10	2	2	
FOP-3-2	27	HZW5-90103-U01	SCREW, PAN, 5X20	4	4	
FOP-3-2	28	HZW5-90104-U00	SCREW, PAN, 5X18	4	4	
FOP-3-2	29	HZW5-90105-U01	SCREW, PAN, 4X10	4	4	

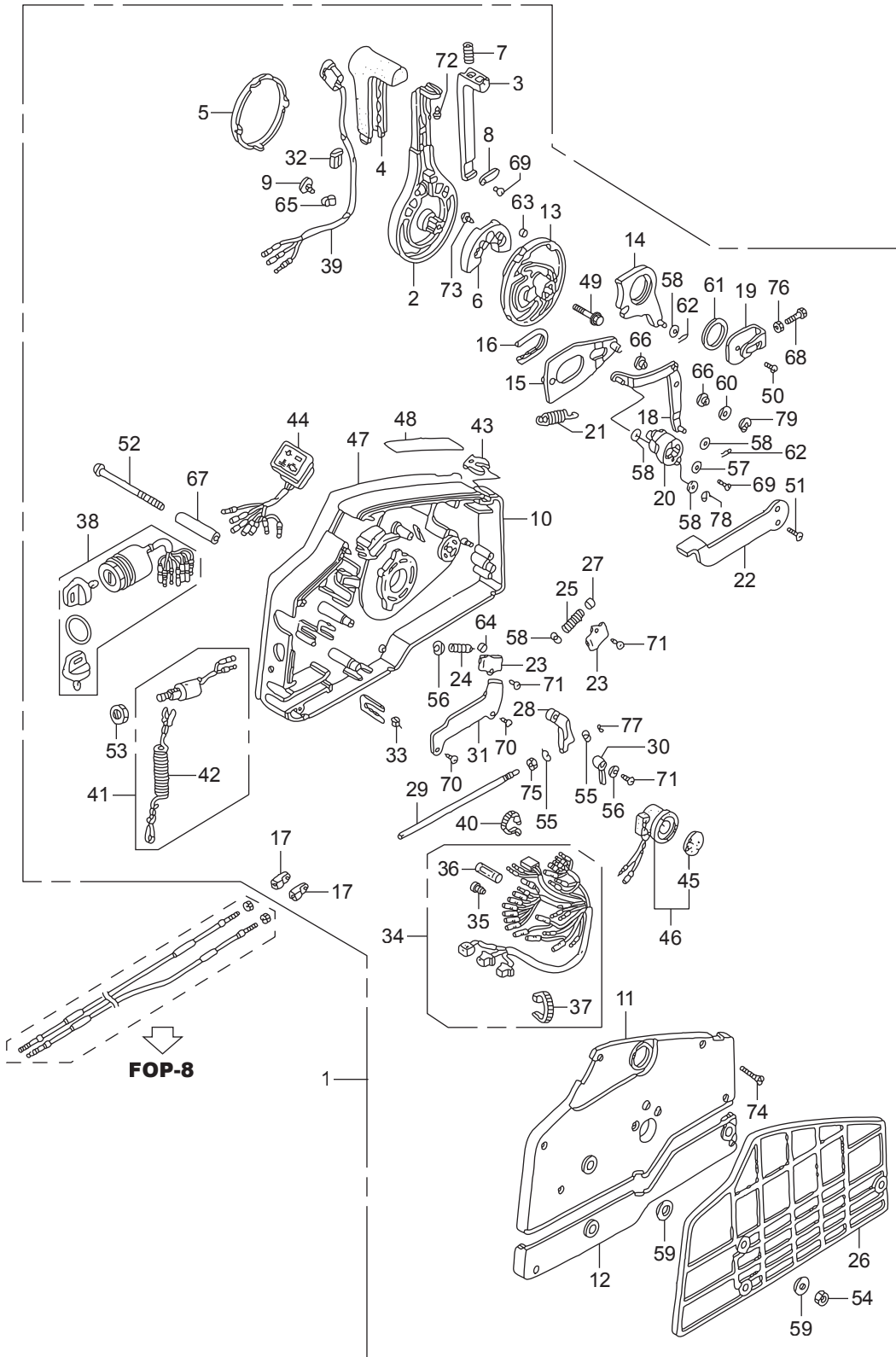




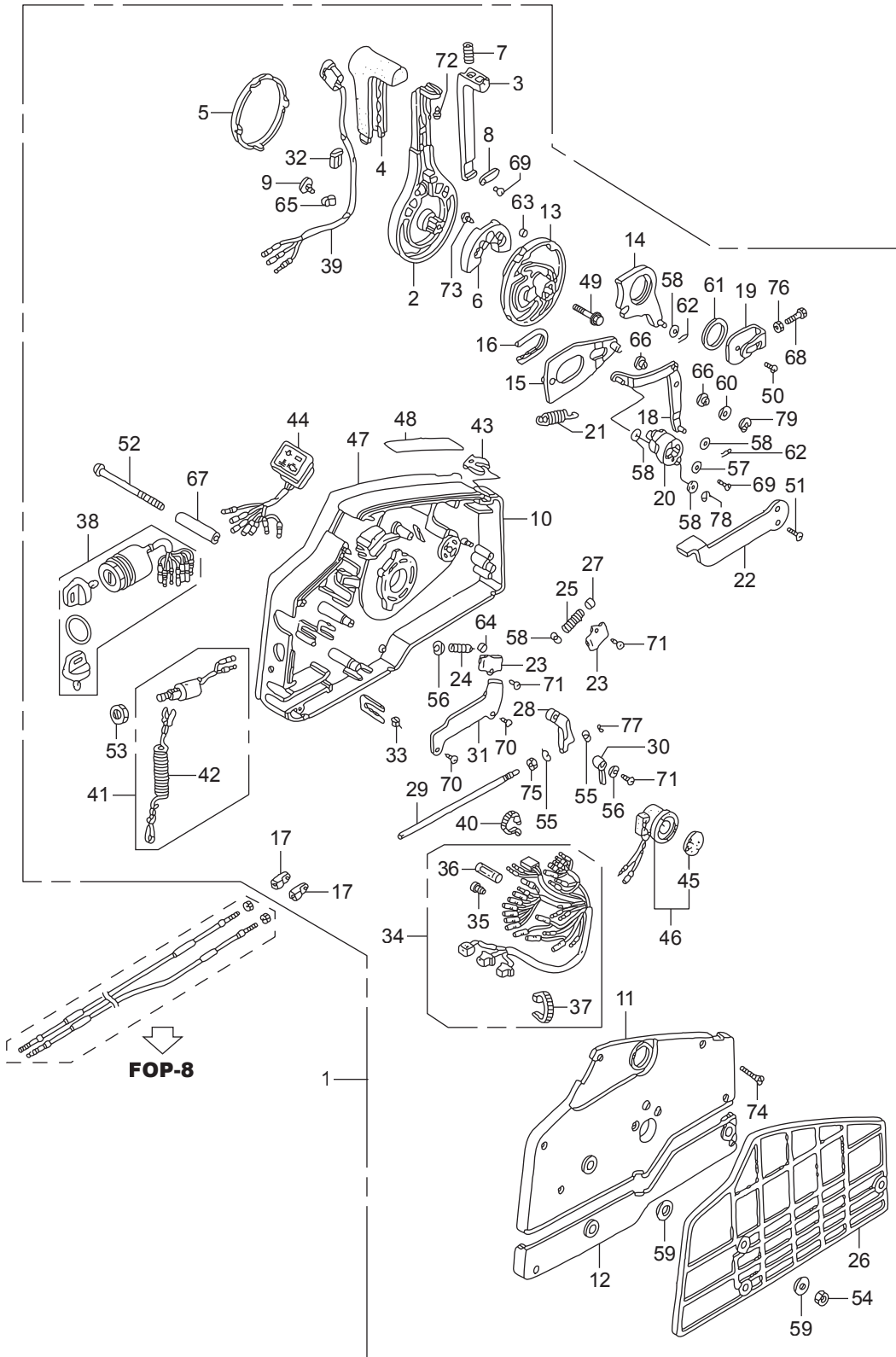
Ref.No.	Part No.	Description	Q' ty		Remarks	
			BFT200A	BFT225A		
FOP-3-4	1	HZZ3-06240-R40	BOX KIT, REMOTE CONTROL	1	1	(FLUSH MOUNT)(R.)
FOP-3-4	2	HZW7-24810-U01	HOUSING ASSY., R. INNER	1	1	(FLUSH MOUNT)
FOP-3-4	3	HZW7-24811-U01	HANDLE, REMOTE CONTROL	1	1	
FOP-3-4	4	HZW7-24812-U01	COVER, GRIP	1	1	
FOP-3-4	5	HZW7-24813-U01	ARM, NEUTRAL LOCK	1	1	
FOP-3-4	6	HZW7-24814-U01	COVER, LOCK ARM	1	1	
FOP-3-4	7	HZW7-24815-U01	SPRING, NEUTRAL LOCK ARM	1	1	
FOP-3-4	8	HZW5-24816-U01	BUTTON, THROTTLE	1	1	
FOP-3-4	9	HZW7-24817-U01	SHAFT, THROTTLE BUTTON	1	1	
FOP-3-4	10	HZW5-24826-U01	PLATE, DWELL	1	1	
FOP-3-4	11	HZZ3-24830-R41	COVER ASSY.	1	1	
FOP-3-4	12	HZW5-24831-U01	TERMINAL, CABLE	2	2	
FOP-3-4	13	HZW5-24832-U01	SPACER, CABLE CLAMP	1	1	
FOP-3-4	14	HZW7-24832-U01	HOLDER, NEUTRAL LOCK	1	1	
FOP-3-4	15	HZW7-24833-U01	BASE	1	1	
FOP-3-4	16	HZW7-32530-U20	SUB HARNESS ASSY., POWER	1	1	TRIM-TILT(C)
FOP-3-4	17	HZW7-35370-U02	SWITCH ASSY., POWER TRIM-TILT	1	1	(C)
FOP-3-4	18	HZZ3-87701-R40	MARK, HANDLE FLUSH MOUNT	1	1	
FOP-3-4	19	HZW7-87703-U00	MARK, FLUSH MOUNT	1	1	
FOP-3-4	20	HZW5-90101-U00	SCREW, PAN, 5X16	1	1	
FOP-3-4	21	HZW7-90101-U01	SCREW, TRUSS, 4X12	1	1	
FOP-3-4	22	HZW7-90102-U01	SCREW, PAN, 5X30	4	4	
FOP-3-4	23	HZW7-90103-U01	SCREW, PAN, 6X35	3	3	
FOP-3-4	24	HZW7-90104-U01	SCREW, TAPPING, 6X30	3	3	
FOP-3-4	25	HZW7-90301-U01	NUT, HEX., 6MM	3	3	
FOP-3-4	26	HZW5-90501-U00	WASHER, LOCK, 5MM	4	4	
FOP-3-4	27	HZW7-90502-U00	WASHER, PLAIN, 6MM	3	3	
FOP-3-4	28	HCO-94540-06029	E-RING, 6MM	2	2	

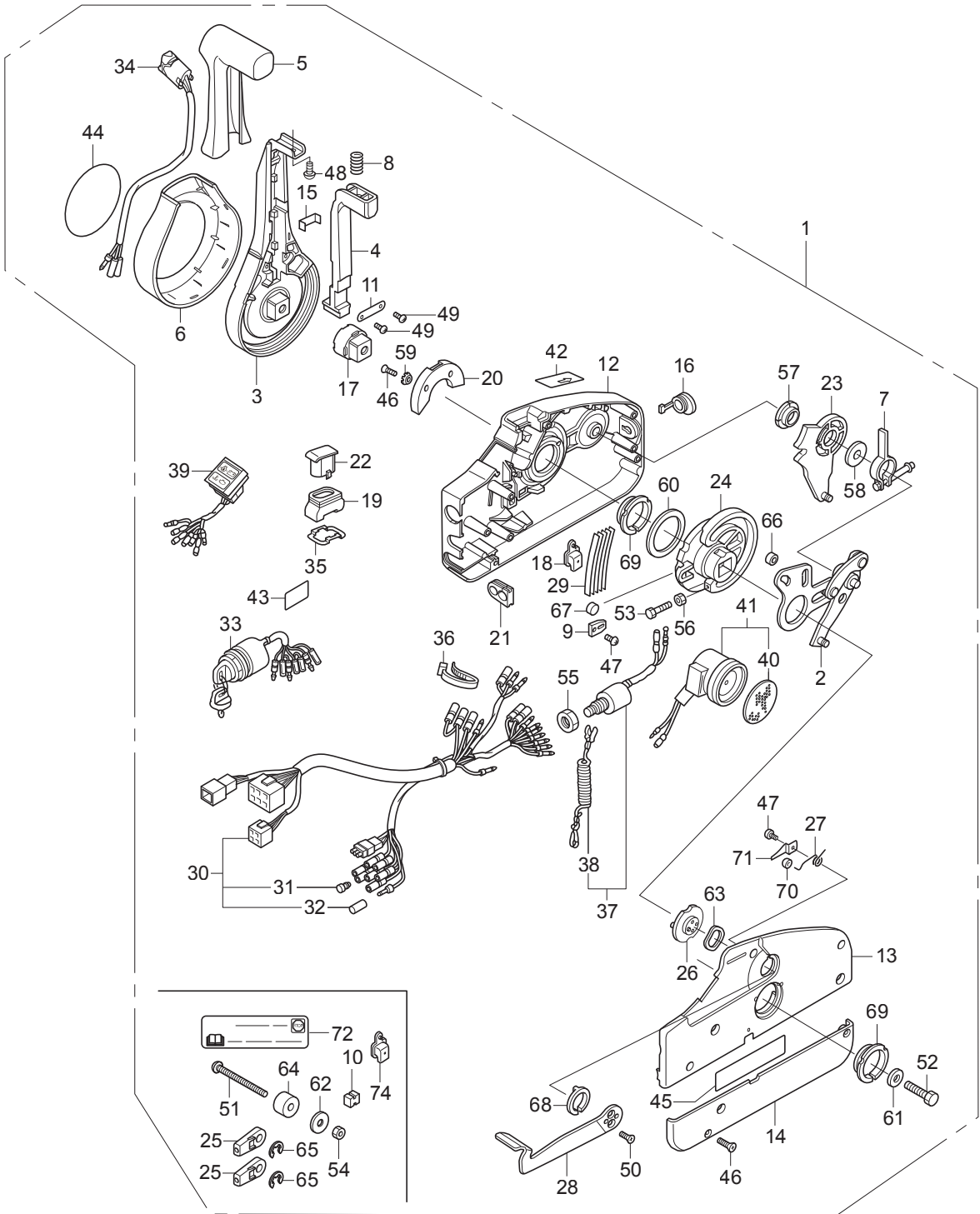


Ref.No.	Part No.	Description	Q' ty		Remarks	
			BFT200A	BFT225A		
FOP-3-6	1	HZZ3-24800-R00	BOX ASSY., REMOTE CONTROL(EU)	1	1	
FOP-3-6	2	HZV5-24811-010	HANDLE, REMOTE CONTROL	1	1	
FOP-3-6	3	HZV5-24812-000	LEVER, HANDLE LOCK	1	1	
FOP-3-6	4	HZV5-24813-000	GRIP, REMOTE CONTROL HANDLE	1	1	
FOP-3-6	5	HZV5-24814-010	CAP, HANDLE	1	1	
FOP-3-6	6	HZV5-24815-010	BLOCK, NEUTRAL LOCK	1	1	
FOP-3-6	7	HZV5-24816-000	SPRING, REMOTE CONTROL HANDLE	1	1	
FOP-3-6	8	HZV5-24817-000	PLATE, LEVER SETTING	1	1	
FOP-3-6	9	HZV5-24818-003	CLAMP, HARNESS	1	1	
FOP-3-6	10	HZV5-24820-010	HOUSING COMP., REMOTE CONTROL BOX(A)	1	1	
FOP-3-6	11	HZV5-24830-010	HOUSING COMP., REMOTE CONTROL BOX(B)	1	1	
FOP-3-6	12	HZV5-24836-000	HOUSING, REMOTE CONTROL BOX(C)	1	1	
FOP-3-6	13	HZV5-24841-000	WHEEL, CONTROL	1	1	
FOP-3-6	14	HZV5-24845-000	ARM COMP., SHIFT LINK	1	1	
FOP-3-6	15	HZV5-24850-000	PLATE COMP., SLIDING	1	1	
FOP-3-6	16	HZV5-24854-000	COLLAR, SLIDING PLATE	1	1	
FOP-3-6	17	HZV5-24855-000	PIVOT, SHIFT	2	2	
FOP-3-6	18	HZV5-24860-000	ARM COMP., LINK JOINT	1	1	
FOP-3-6	19	HZV5-24865-000	BRACKET, LINK JOINT	1	1	
FOP-3-6	20	HZV5-24875-000	WHEEL, ACCELERATOR	1	1	
FOP-3-6	21	HZV5-24876-000	SPRING, ACCELERATOR WHEEL	1	1	
FOP-3-6	22	HZV5-24878-000	LEVER, IDLE	1	1	
FOP-3-6	23	HZV5-24881-000	PLATE, SPRING SETTING	2	2	
FOP-3-6	24	HZV5-24883-000	SPRING, SHIFT CLICK	1	1	
FOP-3-6	25	HZV5-24884-000	SPRING, CHOKE RETURN	1	1	
FOP-3-6	26	HZV5-24885-000	SPACER, REMOTE CONTROL BOX	1	1	
FOP-3-6	27	HZV5-24887-000	SPACER, CLICK SPRING	1	1	
FOP-3-6	28	HZV5-24891-000	BLOCK, THROTTLE FRICTION	1	1	
FOP-3-6	29	HZV5-24892-000	BOLT, FRICTION	1	1	

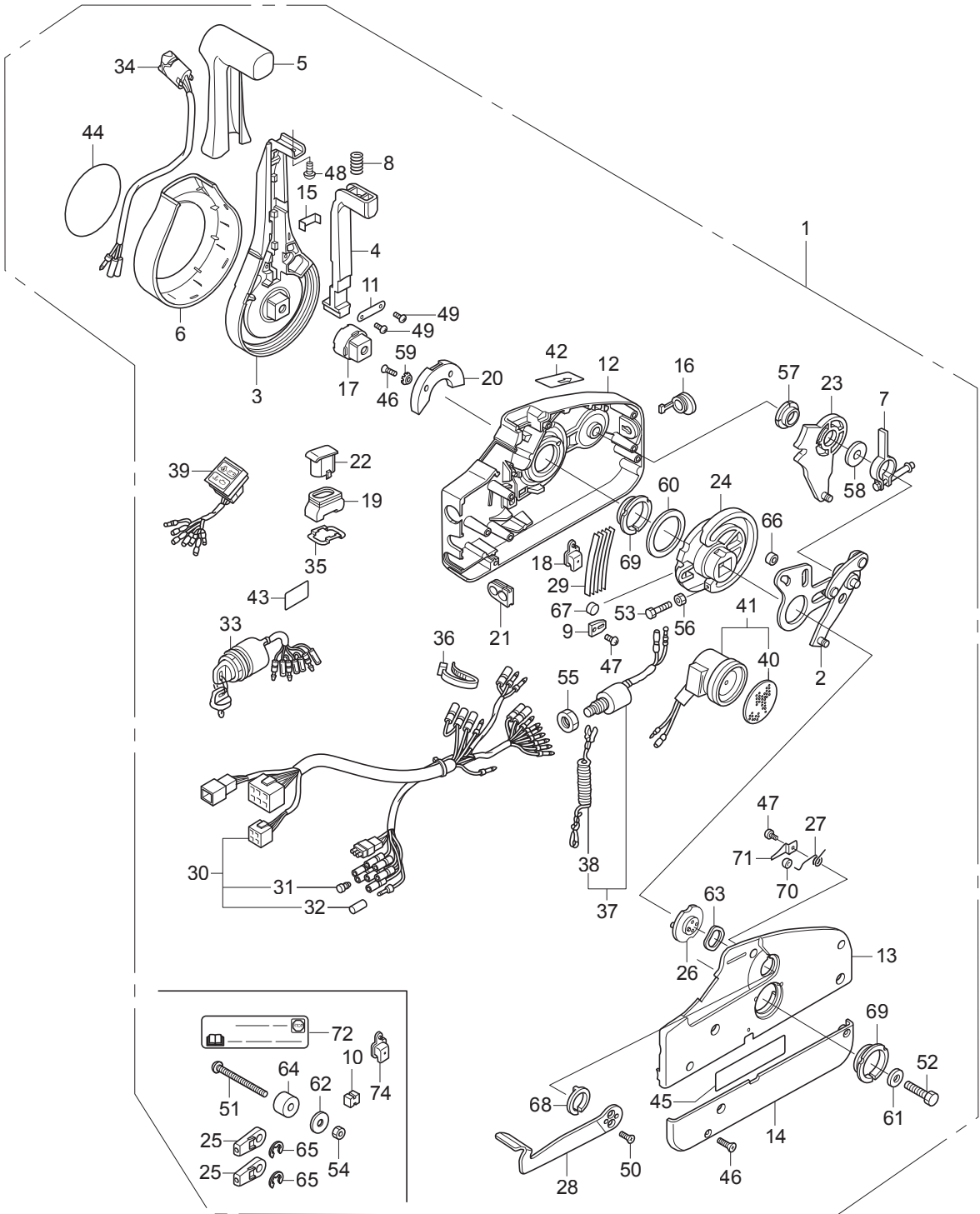


Ref.No.	Part No.	Description	Q' ty		Remarks	
			BFT200A	BFT225A		
FOP-3-6	30	HZV5-24894-000	SPACER, NEUTRAL SWITCH	1	1	
FOP-3-6	31	HZV5-24895-000	CLAMP, POWER TILT CORD	1	1	
FOP-3-6	32	HZV5-24897-000	PIPE, HARNESS GUIDE	1	1	
FOP-3-6	33	HZV5-24898-000	SPACER, CABLE CLAMP	1	1	
FOP-3-6	34	HZZ5-32530-000	CABLE ASSY., REMOTE CONTROL(B)	1	1	
FOP-3-6	35	HZV5-32823-003	PLUG, INNER CONNECTOR	7	7	
FOP-3-6	36	HZV5-32824-003	PLUG, OUTER CONNECTOR	1	1	
FOP-3-6	37	H952-32901-770	TIE, CABLE(NATURAL)(2.4X92)	1	1	
FOP-3-6	38	HZZ3-35100-R11	SWITCH ASSY., COMBINATION	1	1	
FOP-3-6	39	HZV5-35370-823	SWITCH ASSY., POWER TRIM-TILT	1	1	
FOP-3-6	40	HMG9-35701-950	BAND(BLACK 3.5X140)	1	1	
FOP-3-6	41	HZV5-36180-033	SWITCH ASSY., EMERGENCY STOP	1	1	
FOP-3-6	42	HZV4-36182-651	CORD COMP., EMERGENCY	1	1	
FOP-3-6	43	HZV4-36187-652	CLIP, EMERGENCY LOCK	1	1	
FOP-3-6	44	HZZ5-37210-013	LAMP ASSY., INDICATION	1	1	
FOP-3-6	45	H341-38403-672	PLATE, WINKER BUZZER	1	1	
FOP-3-6	46	HZV5-38410-003	BUZZER COMP., WARNING	1	1	
FOP-3-6	47	HZZ3-87701-R00	PLATE, REMOTE CONTROL	1	1	
FOP-3-6	48	HZW9-87702-800	MARK, FAST IDLE	1	1	
FOP-3-6	49	HZW9-90008-000	BOLT, FLANGE, 8X35	1	1	
FOP-3-6	50	HMM4-90105-000	SCREW, PAN, 6X10	1	1	
FOP-3-6	51	HZW4-90108-000	SCREW, FLAT, 5X12	2	2	
FOP-3-6	52	HZV5-90125-000	SCREW, 6X95	3	3	
FOP-3-6	53	H921-90302-000	NUT, HEX., 16MM	1	1	
FOP-3-6	54	HZV4-90304-000	NUT, HEX., 6MM	3	3	
FOP-3-6	55	HZW4-90401-000	WASHER, PLAIN, 4MM	2	2	
FOP-3-6	56	HZW4-90402-000	WASHER, PLAIN, 5MM	2	2	
FOP-3-6	57	HZV4-90502-000	WASHER, PLAIN, 5MM	1	1	
FOP-3-6	58	H921-90504-010	WASHER, PLAIN, 6MM	5	5	

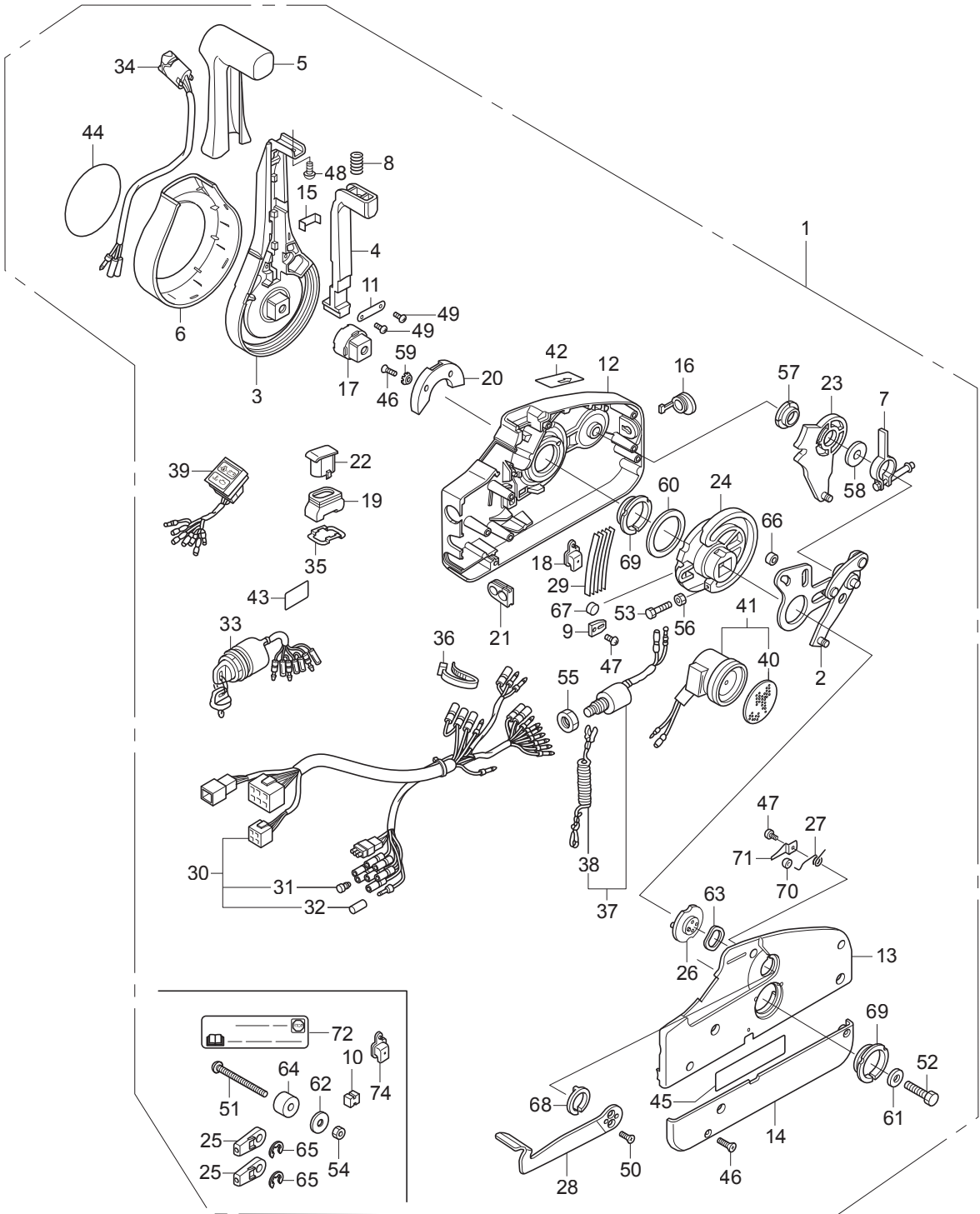


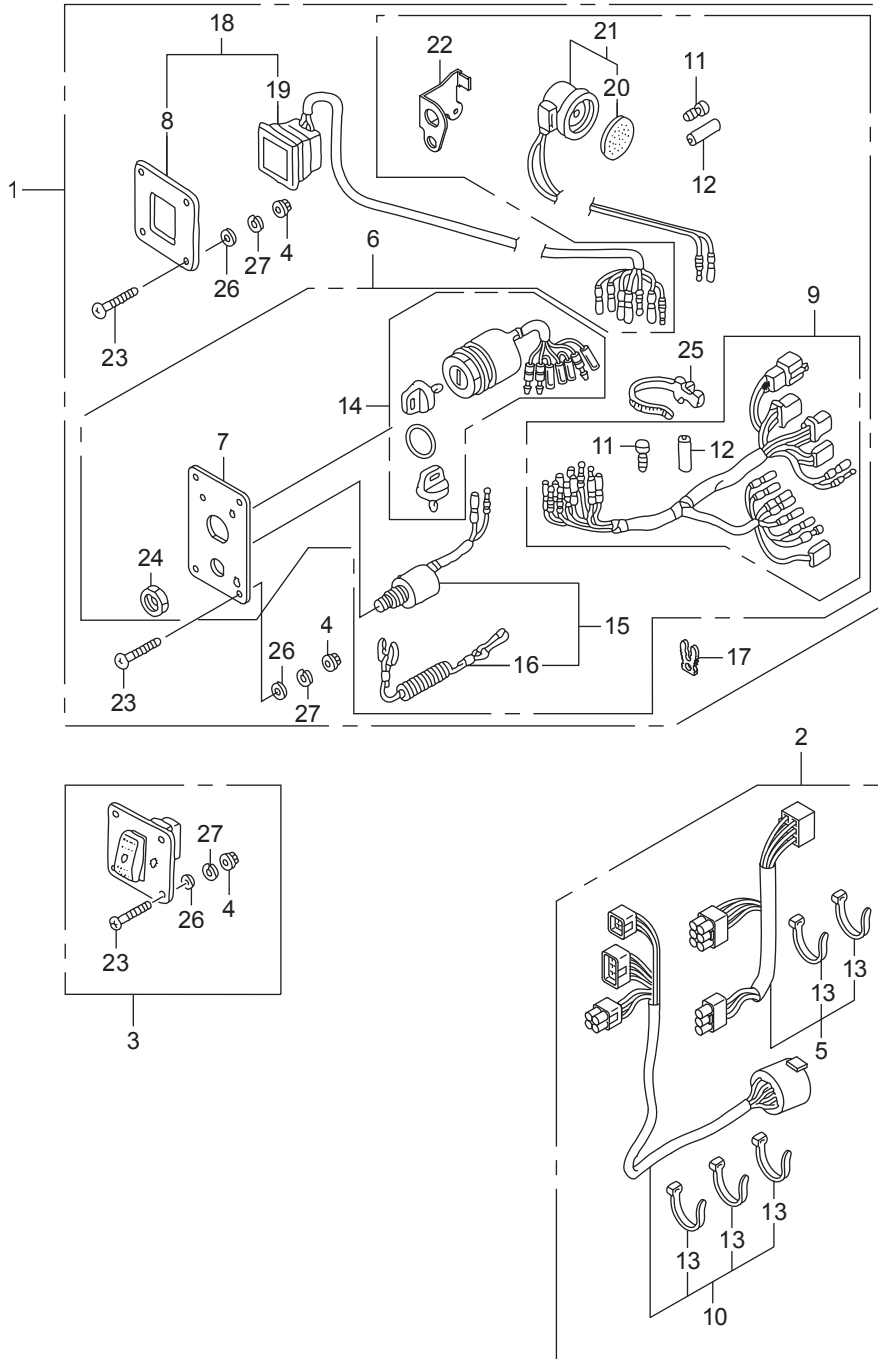


Ref.No.	Part No.	Description	Q' ty		Remarks	
			BFT200A	BFT225A		
FOP-3-7	1	HZZ3-24800-P12	BOX ASSY., REMOTE CONTROL (NHK MEC)	1	1	
FOP-3-7	2	HZZ5-24810-D01	PLATE ASSY.	1	1	
FOP-3-7	3	HZZ5-24811-D01	LEVER, HAND	1	1	
FOP-3-7	4	HZZ5-24812-D01	ARM, NEUTRAL LOCK	1	1	
FOP-3-7	5	HZZ5-24813-D01	GRIP	1	1	
FOP-3-7	6	HZZ5-24814-D01	COVER, LEVER	1	1	
FOP-3-7	7	HZZ5-24815-D01	ARM ASSY., BRAKE	1	1	
FOP-3-7	8	HZZ5-24816-D01	SPRING(2)	1	1	
FOP-3-7	9	HZZ5-24817-D01	CLIP, DETENT	1	1	
FOP-3-7	10	HZZ5-24818-D01	SPACER(1)(LOOSE PARTS)	1	1	
FOP-3-7	11	HZZ5-24819-D01	BRACKET	1	1	
FOP-3-7	12	HZZ5-24821-D01	HOUSING, FR.	1	1	
FOP-3-7	13	HZZ5-24822-D01	HOUSING, RR.	1	1	
FOP-3-7	14	HZZ5-24823-D01	PANEL, BACK	1	1	
FOP-3-7	15	HZZ5-24824-D01	BRACKET, WIRE CLAMP	1	1	
FOP-3-7	16	HZZ5-24826-D01	CAP, RUBBER	1	1	
FOP-3-7	17	HZZ5-24827-D01	ADJUSTER	1	1	
FOP-3-7	18	HZZ5-24828-D01	COVER, POWER TRIM-TILT WIRE	1	1	
FOP-3-7	19	HZZ5-24829-D01	SEAL, RUBBER	1	1	
FOP-3-7	20	HZZ5-24831-D01	HOLDER, NEUTRAL LOCK	1	1	
FOP-3-7	21	HZZ5-24832-D01	GROMMET, WIRE(14)	1	1	
FOP-3-7	22	HZZ5-24833-D01	CAP, TROLLING CONTROL SWITCH BLANK	1	1	
FOP-3-7	23	HZZ5-24845-D01	GEAR ASSY., SHIFT	1	1	
FOP-3-7	24	HZZ5-24850-D01	GEAR, DRIVE	1	1	
FOP-3-7	25	HZZ5-24855-D01	TERMINAL, CABLE(LOOSE PARTS)	2	2	
FOP-3-7	26	HZZ5-24875-D01	DRUM ASSY., FREE THROTTLE	1	1	
FOP-3-7	27	HZZ5-24876-D01	SPRING(1)	1	1	
FOP-3-7	28	HZZ5-24878-D01	LEVER, FREE THROTTLE	1	1	
FOP-3-7	29	HZZ5-24883-D01	SPRING, DETENT	5	5	

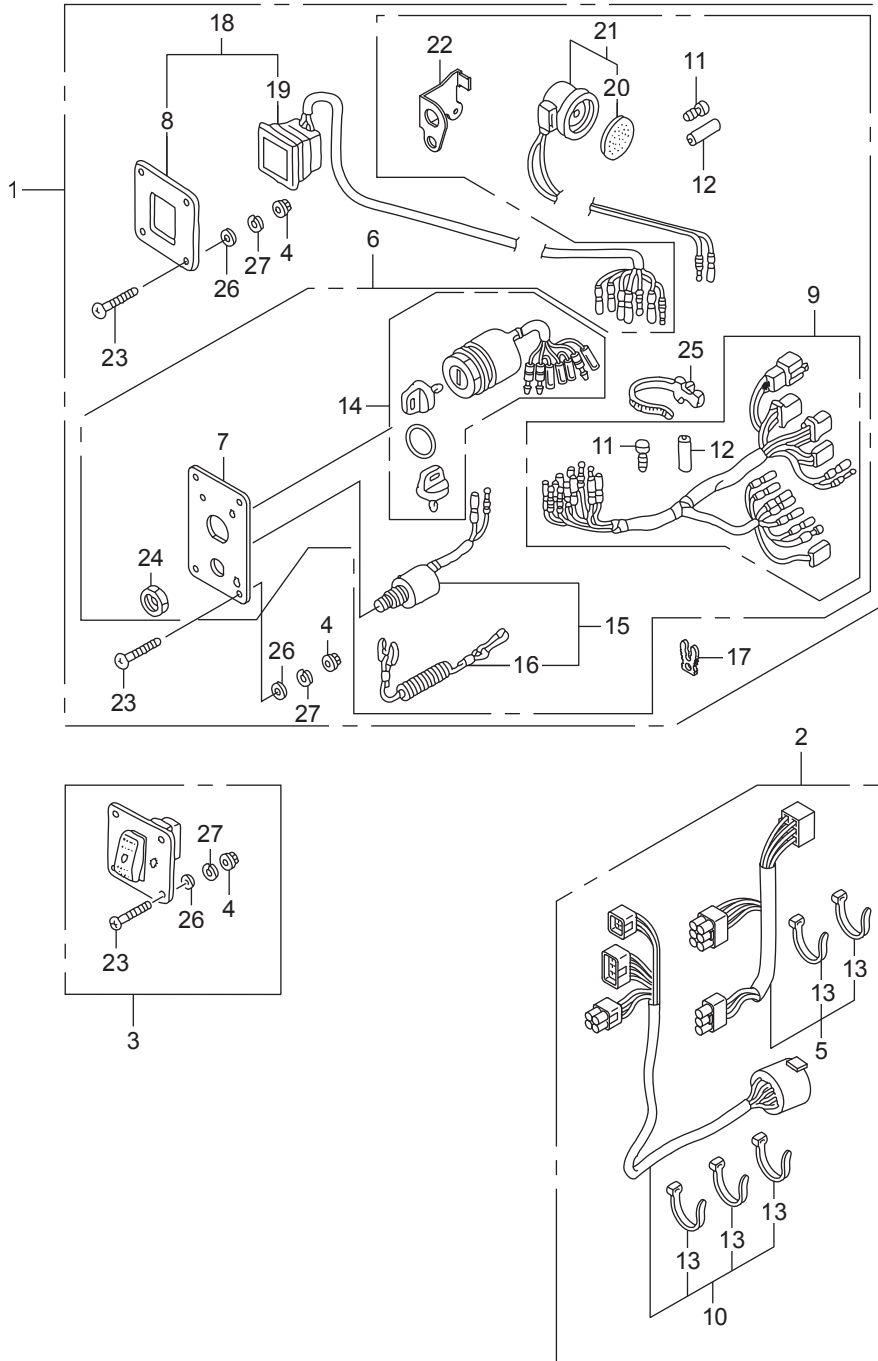


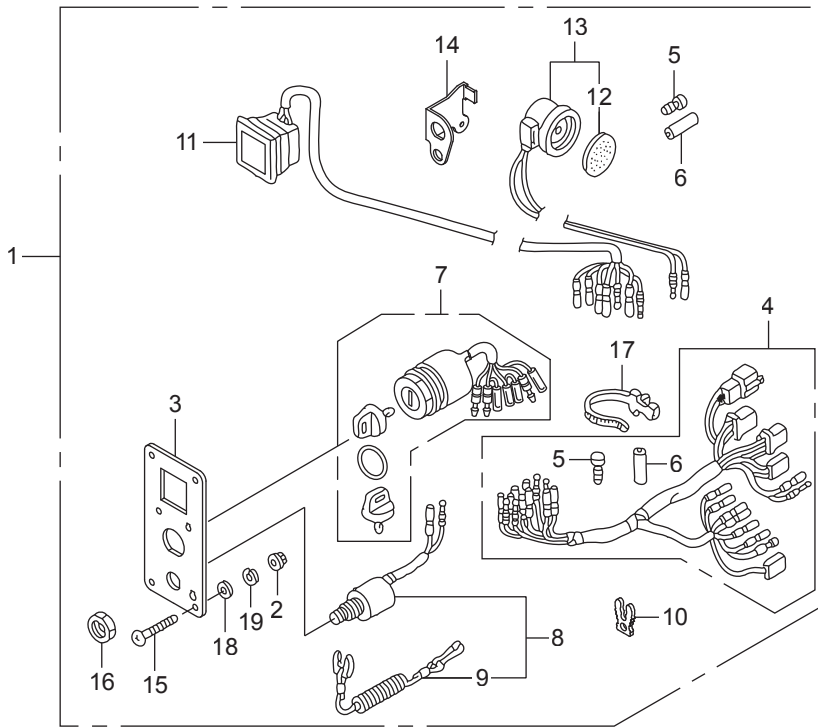
Ref.No.	Part No.	Description	Q' ty		Remarks	
			BFT200A	BFT225A		
FOP-3-7	30	HZZ5-32530-D01	CABLE ASSY., REMOTE CONTROL(B)	1	1	
FOP-3-7	31	HZV5-32823-003	PLUG, INNER CONNECTOR	7	7	
FOP-3-7	32	HZV5-32824-003	PLUG, OUTER CONNECTOR	1	1	
FOP-3-7	33	HZZ3-35100-R11	SWITCH ASSY., COMBINATION	1	1	
FOP-3-7	34	HZZ5-35370-D02	SWITCH ASSY., POWER TRIM-TILT	1	1	
FOP-3-7	35	HZZ3-35645-A41	PLATE, SWITCH	1	1	
FOP-3-7	36	HZZ5-35701-D01	BAND, WIRE	1	1	
FOP-3-7	37	HZV5-36180-033	SWITCH ASSY., EMERGENCY STOP	1	1	
FOP-3-7	38	HZV4-36182-651	CORD COMP., EMERGENCY	1	1	
FOP-3-7	39	HZZ5-37210-D01	LAMP ASSY., INDICATION	1	1	
FOP-3-7	40	H341-38403-672	PLATE, WINKER BUZZER	1	1	
FOP-3-7	41	HZV5-38410-003	BUZZER COMP., WARNING	1	1	
FOP-3-7	42	HZZ5-87701-D00	MARK, FAST IDLE	1	1	
FOP-3-7	43	HZZ5-87702-A00	MARK, EMERGENCY STOP(US)	1	1	
FOP-3-7	44	HZZ5-87703-P00	MARK, EMBLEM	1	1	
FOP-3-7	45	HZZ5-87704-D01	LABEL, SIGP	1	1	
FOP-3-7	46	HZZ5-90101-D01	SCREW, 5X18	7	7	
FOP-3-7	47	HZZ5-90102-D01	SCREW, 4X6	2	2	
FOP-3-7	48	HZZ5-90103-D01	SCREW, 5X10	1	1	
FOP-3-7	49	HZZ5-90104-D01	SCREW, 4X10	2	2	
FOP-3-7	50	HZZ5-90106-D01	SCREW, 5X12	2	2	
FOP-3-7	51	HZZ5-90107-D01	SCREW, 6X90(LOOSE PARTS)	3	3	
FOP-3-7	52	HZZ5-90108-D01	BOLT, 8X50	1	1	
FOP-3-7	53	HZZ5-90109-D01	BOLT, 5X25	1	1	
FOP-3-7	54	HZZ5-90301-D01	NUT, 6MM(LOOSE PARTS)	3	3	
FOP-3-7	55	H921-90302-000	NUT, HEX., 16MM	1	1	
FOP-3-7	56	HZZ5-90302-D01	NUT, 5MM	1	1	
FOP-3-7	57	HZZ5-90501-D01	BEARING(1)	1	1	
FOP-3-7	58	HZZ5-90502-D01	WASHER(3)	1	1	

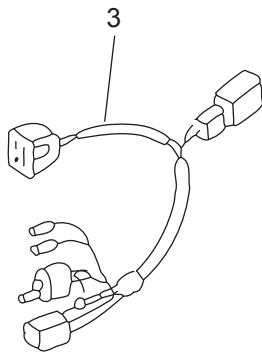
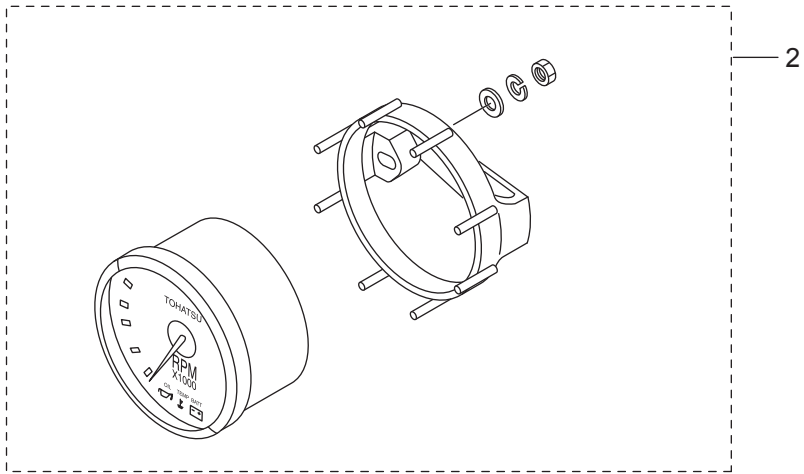
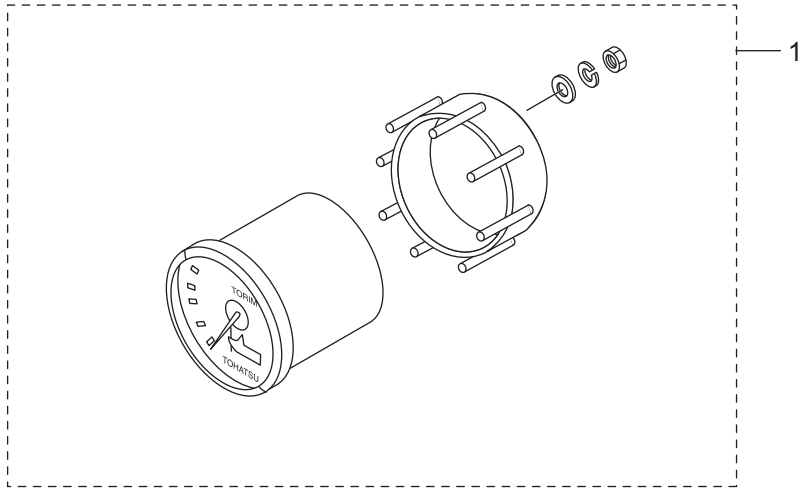


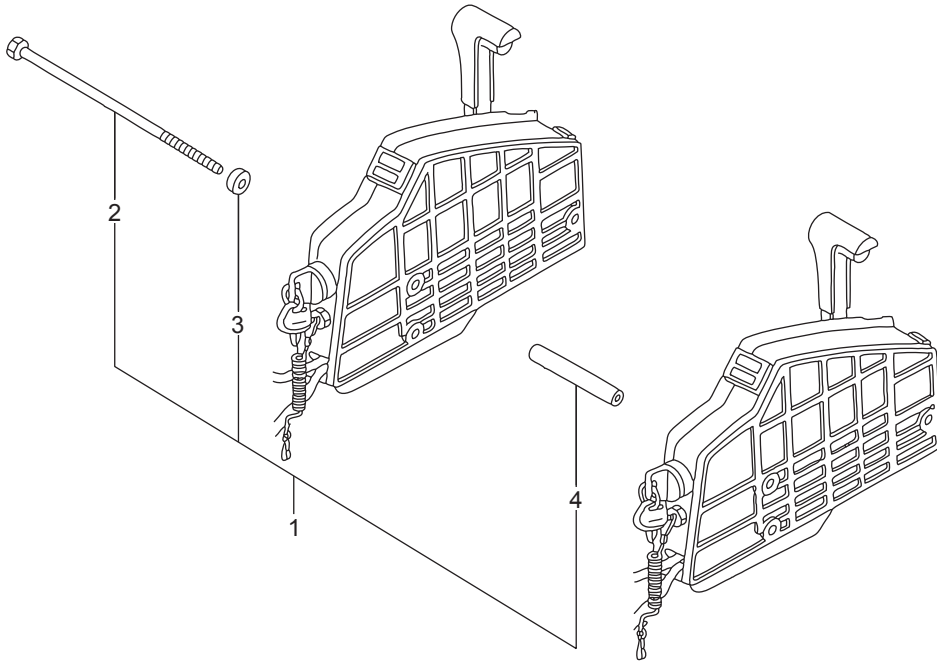


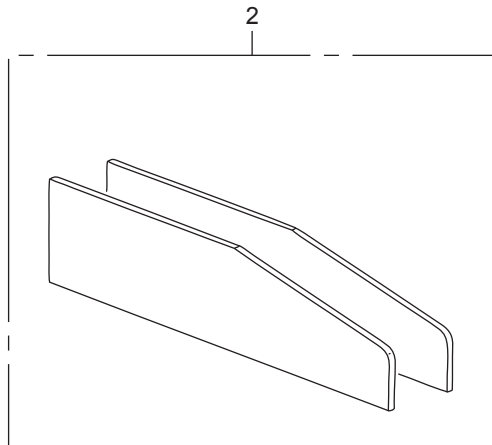
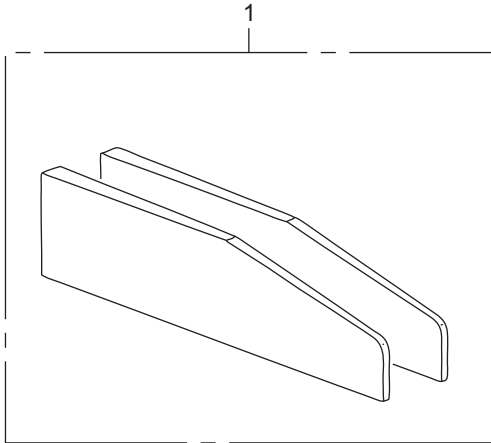
Ref.No.	Part No.	Description	Q' ty		Remarks	
			BFT200A	BFT225A		
FOP-4	1	HZZ3-06323-R20	PANEL KIT, SWITCH(B)(4-LED)	1	1	
FOP-4	2	HZZ5-06325-600	CABLE SET, PANEL INDICATOR	1	1	(20FT)
FOP-4	2	HZZ5-06325-700	CABLE SET, PANEL INDICATOR	1	1	(25FT)
FOP-4	2	HZZ5-06325-800	CABLE SET, PANEL INDICATOR	1	1	(30FT)
FOP-4	3	HZW5-06352-U01	SWITCH KIT, LIGHT	1	1	
FOP-4	4	HMT8-18334-770	NUT, FLANGE, 5MM	12	12	
FOP-4	5	HZZ5-32185-600	CORD ASSY., INDICATOR(20FT)	1	1	
FOP-4	5	HZZ5-32185-700	CORD ASSY., INDICATOR(25FT)	1	1	
FOP-4	5	HZZ5-32185-800	CORD ASSY., INDICATOR(30FT)	1	1	
FOP-4	6	HZZ3-32341-R31	PANEL ASSY., SWITCH	1	1	
FOP-4	7	HZZ3-32346-R21	PANEL, CONTROL	1	1	
FOP-4	8	HZZ3-32347-R01	PANEL, CONTROL	1	1	
FOP-4	9	HZZ5-32545-000	HARNESS ASSY., SWITCH PANEL	1	1	
FOP-4	10	HZZ5-32580-600	CABLE ASSY., SWITCH PANEL	1	1	(20FT)
FOP-4	10	HZZ5-32580-700	CABLE ASSY., SWITCH PANEL	1	1	(25FT)
FOP-4	10	HZZ5-32580-800	CABLE ASSY., SWITCH PANEL	1	1	(30FT)
FOP-4	10	HZZ5-32580-D01	CABLE ASSY., SWITCH PANEL (20FT)	1	1	(NHK MEC)
FOP-4	10	HZZ5-32580-D11	CABLE ASSY., SWITCH PANEL (25FT)	1	1	(NHK MEC)
FOP-4	10	HZZ5-32580-D21	CABLE ASSY., SWITCH PANEL (30FT)	1	1	(NHK MEC)
FOP-4	11	HZV5-32823-003	PLUG, INNER CONNECTOR	8	8	
FOP-4	12	HZV5-32824-003	PLUG, OUTER CONNECTOR	3	3	
FOP-4	13	H952-32901-770	TIE, CABLE(NATURAL)(2.4X92)	5	5	
FOP-4	14	HZZ3-35100-R11	SWITCH ASSY., COMBINATION	1	1	
FOP-4	15	HZV5-36180-033	SWITCH ASSY., EMERGENCY STOP	1	1	
FOP-4	16	HZV4-36182-651	CORD COMP., EMERGENCY	1	1	
FOP-4	17	HZV4-36187-652	CLIP, EMERGENCY LOCK	1	1	
FOP-4	18	HZZ3-37205-R01	PANEL ASSY., INDICATOR(4-LED)	1	1	
FOP-4	19	HZZ5-37210-762	LAMP ASSY., INDICATION(4-LED)	1	1	
FOP-4	20	H341-38403-672	PLATE, WINKER BUZZER	1	1	

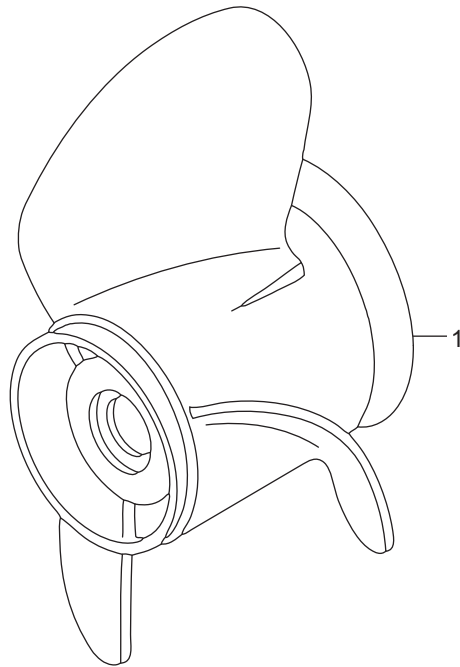


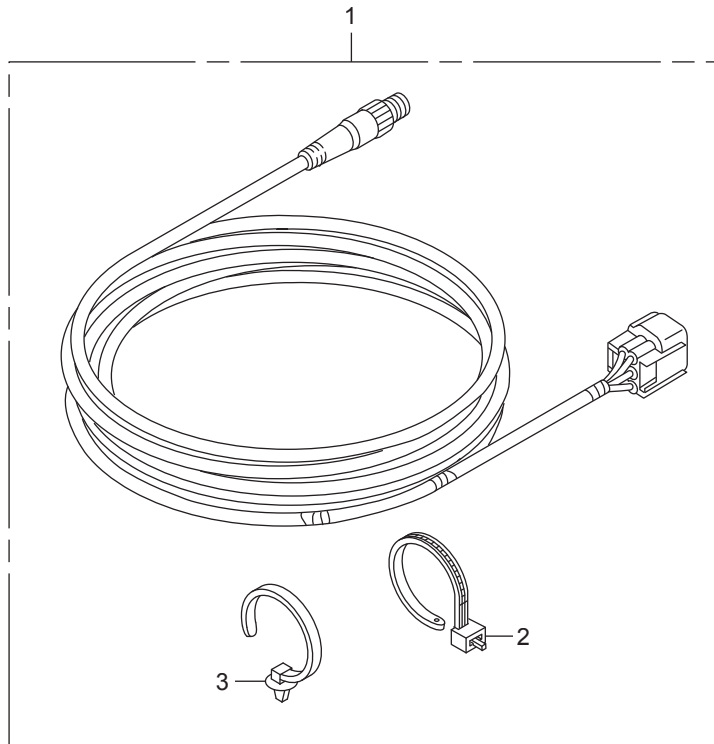












INDEX

<A>			
ADJUSTER.....	FOP-3-7-17		
ARM ASSY, BRAKE.....	FOP-3-7-7		
ARM ASSY., FR. INTAKE ROCKER.....	E-9-10-4		
ARM ASSY., INTAKE ROCKER.....	E-9-10-5		
ARM COMP. A, EX. ROCKER.....	E-9-10-6		
ARM COMP. B, EX. ROCKER.....	E-9-10-7		
ARM COMP., LINK JOINT.....	FOP-3-6-18		
ARM COMP., SHIFT LINK.....	FOP-3-6-14		
ARM, FUEL PUMP ROCKER.....	E-9-10-3		
ARM, NEUTRAL LOCK.....	FOP-3-4-5		
ARM, NEUTRAL LOCK.....	FOP-3-7-4		
ARM, SHIFT.....	F-2-9		
ARM, THROTTLE.....	F-2-3		
ARMATURE COMP.....	F-11-7		
			
BAG, TOOL, 200MM.....	F-13-13		
BALL, STEEL.....	E-21-6		
BALL, STEEL, #12(3/8).....	F-5-31		
BALL, STEEL, #12(3/8).....	F-5-1-32		
BALL, STEEL, #7(7/32).....	F-5-30		
BALL, STEEL, #7(7/32).....	F-5-1-31		
BAND.....	E-18-56		
BAND(BLACK 3.5X140).....	F-11-3		
BAND(BLACK 3.5X140).....	FOP-3-6-40		
BAND, AIR FLOW.....	E-15-9		
BAND, TUBE CLIP, 12.5MM.....	F-8-20-5		
BAND, UNDER CASE GROMMET.....	F-8-10-4		
BAND, WIRE.....	F-10-6		
BAND, WIRE.....	F-10-76		
BAND, WIRE.....	FOP-3-7-36		
BAND, WIRE HARNESS.....	F-7-11-20		
BAND, WIRE HARNESS(NATURAL).....	FOP-4-25		
BAND, WIRE HARNESS(NATURAL).....	FOP-4-1-17		
BASE.....	FOP-3-4-15		
BASE COMP., TIMING BELT TENSIONER.....	E-13-10		
BASE, L. INJECTOR.....	E-14-13		
BASE, R. INJECTOR.....	E-14-11		
BEARING A, CONNECTING ROD (BLACK).....	E-7-7		
BEARING A, MAIN LOWER(BLACK).....	E-7-11		
BEARING A, MAIN UPPER(BLACK).....	E-7-9		
BEARING B, CONNECTING ROD (BROWN).....	E-7-7		
BEARING B, MAIN LOWER(BROWN).....	E-7-11		
BEARING B, MAIN UPPER(BROWN).....	E-7-9		
BEARING C, CONNECTING ROD (GREEN).....	E-7-7		
BEARING C, MAIN LOWER(GREEN).....	E-7-11		
BEARING C, MAIN UPPER(GREEN).....	E-7-9		
BEARING D, CONNECTING ROD (YELLOW).....	E-7-7		
BEARING D, MAIN LOWER(YELLOW).....	E-7-11		
BEARING D, MAIN UPPER(YELLOW).....	E-7-9		
BEARING E, CONNECTING ROD (PINK).....	E-7-7		
BEARING E, MAIN LOWER(PINK).....	E-7-11		
BEARING E, MAIN UPPER(PINK).....	E-7-9		
BEARING F, MAIN LOWER(RED).....	E-7-11		
BEARING F, MAIN UPPER(RED).....	E-7-9		
BEARING(1).....	FOP-3-7-57		
BEARING(2).....	FOP-3-7-68		
BEARING(3).....	FOP-3-7-69		
BEARING, ANGULAR, 50X90X30.2.....	F-5-24		
BEARING, ANGULAR, 50X90X30.2.....	F-5-1-24		
BEARING, FR. GENERATOR.....	E-19-3		
BEARING, NEEDLE, 20X28X13.....	E-6-10-43		
BEARING, NEEDLE, 28X39X30.....	F-5-1-25		
BEARING, NEEDLE, 32X42X30.....	F-5-25		
BEARING, NEEDLE, 32X42X30.....	F-5-1-26		
BEARING, NEEDLE, 32X46X37.....	F-4-24		
BEARING, RR. GENERATOR.....	E-19-2		
BEARING, TAPER ROLLER.....	F-4-25		
BEARING, TAPER, 50X90X21.5.....	F-5-23		
BEARING, TAPER, 50X90X21.5.....	F-5-1-23		
BEARING, THRUST(F).....	F-5-22		
BEARING, THRUST(F).....	F-5-1-22		
BELT, A.C. GENERATOR.....	E-13-16		
BELT, TIMING(197YU26 B-333).....	E-13-6		
BLOCK ASSY., CYLINDER.....	E-3-3		
BLOCK, NEUTRAL LOCK.....	FOP-3-6-6		
BLOCK, THROTTLE FRICTION.....	FOP-3-6-28		
BODY.....	E-18-3		
BOLT A, THROUGH.....	E-21-14		
BOLT KIT, SIDE REMOTE CONTROL.....	FOP-7-1		
BOLT, 1/4-28UNF.....	F-10-36		
BOLT, 3/8-24UNF.....	F-10-43		
BOLT, 5X25.....	FOP-3-7-53		
BOLT, 8X50.....	FOP-3-7-52		
BOLT, CONNECTING ROD.....	E-7-5		
BOLT, COVER LOCK.....	F-8-11		
BOLT, DRAIN PLUG.....	E-6-11		
BOLT, DRAIN PLUG.....	F-3-14		
BOLT, FLANGE, 10X110.....	E-21-20		
BOLT, FLANGE, 10X120(SATO).....	E-6-10-25		
BOLT, FLANGE, 10X40.....	E-13-24		
BOLT, FLANGE, 10X43.....	E-13-25		
BOLT, FLANGE, 10X55.....	E-3-10-10		
BOLT, FLANGE, 10X70.....	E-6-10-52		
BOLT, FLANGE, 10X90.....	E-19-21		
BOLT, FLANGE, 10X90.....	E-21-19		
BOLT, FLANGE, 12MM.....	E-5-14		
BOLT, FLANGE, 12X120.....	E-6-10-53		
BOLT, FLANGE, 12X95.....	E-3-26		
BOLT, FLANGE, 5X10.....	E-14-10-17		
BOLT, FLANGE, 5X14.....	E-13-10-9		
BOLT, FLANGE, 6X10.....	E-14-22		
BOLT, FLANGE, 6X10.....	E-18-2-26		
BOLT, FLANGE, 6X10.....	E-20-11-8		
BOLT, FLANGE, 6X10.....	F-7-11-15		
BOLT, FLANGE, 6X11.....	F-2-24		
BOLT, FLANGE, 6X12.....	E-18-50		
BOLT, FLANGE, 6X12.....	E-18-2-27		
BOLT, FLANGE, 6X12.....	F-2-25		
BOLT, FLANGE, 6X12.....	F-7-3		
BOLT, FLANGE, 6X12.....	F-7-11-14		
BOLT, FLANGE, 6X12.....	F-8-10-29		
BOLT, FLANGE, 6X12.....	F-10-37		
BOLT, FLANGE, 6X14.....	E-3-33		
BOLT, FLANGE, 6X14.....	E-5-22		
BOLT, FLANGE, 6X14.....	E-14-21		
BOLT, FLANGE, 6X14.....	E-18-49		
BOLT, FLANGE, 6X14.....	F-8-10-27		
BOLT, FLANGE, 6X14(CT200).....	E-1-20		
BOLT, FLANGE, 6X14(CT200).....	E-13-19		
BOLT, FLANGE, 6X14(CT200).....	F-2-22		
BOLT, FLANGE, 6X16.....	E-3-31		
BOLT, FLANGE, 6X16.....	E-18-48		
BOLT, FLANGE, 6X16.....	E-19-23		
BOLT, FLANGE, 6X16.....	F-2-23		
BOLT, FLANGE, 6X16.....	F-4-17		
BOLT, FLANGE, 6X18.....	E-3-34		
BOLT, FLANGE, 6X18.....	E-5-23		
BOLT, FLANGE, 6X20.....	E-20-11-9		
BOLT, FLANGE, 6X20.....	F-7-30-7		
BOLT, FLANGE, 6X20.....	F-8-10		
BOLT, FLANGE, 6X20.....	F-8-10-30		
BOLT, FLANGE, 6X20.....	F-10-34		
BOLT, FLANGE, 6X20.....	F-10-40		
BOLT, FLANGE, 6X22.....	E-3-35		
BOLT, FLANGE, 6X22.....	E-3-10-8		
BOLT, FLANGE, 6X22.....	E-6-10-30		
BOLT, FLANGE, 6X22.....	E-13-22		
BOLT, FLANGE, 6X22.....	E-14-10-14		
BOLT, FLANGE, 6X22.....	E-15-19		
BOLT, FLANGE, 6X23.....	F-10-35		
BOLT, FLANGE, 6X25.....	E-14-19		
BOLT, FLANGE, 6X25.....	E-18-47		
BOLT, FLANGE, 6X32.....	E-3-10-9		
BOLT, FLANGE, 6X32.....	E-6-10-31		
BOLT, FLANGE, 6X32.....	E-14-10-16		
BOLT, FLANGE, 6X35.....	E-1-21		
BOLT, FLANGE, 6X35.....	E-3-32		
BOLT, FLANGE, 6X35.....	E-4-16		
BOLT, FLANGE, 6X35.....	E-14-20		
BOLT, FLANGE, 6X37.....	E-3-10-11		
BOLT, FLANGE, 6X40.....	E-6-10-37		
BOLT, FLANGE, 6X50.....	E-4-19		
BOLT, FLANGE, 6X55.....	E-3-10-14		
BOLT, FLANGE, 6X60.....	E-4-18		
BOLT, FLANGE, 6X60.....	E-15-20		
BOLT, FLANGE, 8X100.....	E-6-10-33		
BOLT, FLANGE, 8X18.....	F-7-11-16		
BOLT, FLANGE, 8X20.....	E-3-10-7		
BOLT, FLANGE, 8X20.....	E-9-14		
BOLT, FLANGE, 8X22.....	F-8-10-31		
BOLT, FLANGE, 8X28.....	E-9-15		
BOLT, FLANGE, 8X30.....	E-5-24		
BOLT, FLANGE, 8X30.....	E-6-10-35		
BOLT, FLANGE, 8X30.....	E-9-10-21		
BOLT, FLANGE, 8X32.....	E-1-22		
BOLT, FLANGE, 8X35.....	E-18-57		
BOLT, FLANGE, 8X35.....	FOP-3-6-49		
BOLT, FLANGE, 8X40.....	E-4-20		
BOLT, FLANGE, 8X40.....	E-9-10-22		
BOLT, FLANGE, 8X45.....	E-1-35		
BOLT, FLANGE, 8X50.....	E-3-38		
BOLT, FLANGE, 8X50.....	E-14-10-18		
BOLT, FLANGE, 8X60.....	E-4-17		
BOLT, FLANGE, 8X65.....	E-15-21		
BOLT, FLANGE, 8X75.....	E-3-36		
BOLT, FRICTION.....	FOP-3-6-29		
BOLT, HEX.....	F-11-32		
BOLT, HEX., 10X235.....	F-10-41		
BOLT, HEX., 10X35.....	F-3-20-31		
BOLT, HEX., 10X60.....	E-6-10-29		
BOLT, HEX., 10X85.....	E-6-10-28		
BOLT, HEX., 12X120.....	E-6-10-26		
BOLT, HEX., 12X130.....	F-10-46		
BOLT, HEX., 12X200.....	F-10-39		
BOLT, HEX., 12X45.....	F-5-13		
BOLT, HEX., 12X45.....	F-5-1-13		
BOLT, HEX., 12X50.....	F-3-20-37		
BOLT, HEX., 12X65.....	E-6-10-27		
BOLT, HEX., 14X180.....	F-3-20-32		
BOLT, HEX., 5X16.....	FOP-3-6-68		
BOLT, HEX., 6X14.....	F-10-42		
BOLT, HEX., 6X16.....	E-6-10		
BOLT, HEX., 6X16.....	F-2-26		
BOLT, HEX., 6X55.....	F-3-34		
BOLT, HEX., 8X28.....	E-6-9		
BOLT, HEX., 8X35.....	E-6-8		
BOLT, HEX., 8X35.....	F-8-10-26		
BOLT, HEX., 8X60.....	FOP-2-9		
BOLT, IDLER.....	E-13-13		
BOLT, OIL CHECK.....	F-3-11		
BOLT, RECESSED.....	F-11-29		
BOLT, SEALING, 18MM.....	E-5-10		
BOLT, SEALING, 22MM.....	E-3-6		
BOLT, SEALING, 22MM.....	E-3-37		
BOLT, SEALING, 22MM.....	E-5-15		
BOLT, SEALING, 6MM.....	E-18-45		
BOLT, SOCKET(A).....	F-11-30		
BOLT, SOCKET(B).....	F-11-31		
BOLT, SOCKET, 6X16.....	F-8-12		
BOLT, SPECIAL ADJUSTER.....	E-19-22		
BOLT, SPECIAL, 6X12.....	F-3-20-38		
BOLT, SPECIAL, 6X17.....	F-3-20-34		
BOLT, SPECIAL, 6X22.....	F-3-20-36		
BOLT, SPECIAL, 6X220.....	FOP-7-2		
BOLT, SPECIAL, 6X37.....	F-3-20-39		
BOLT, SPECIAL, 8MM.....	E-5-13		
BOLT, SPECIAL, 8X29.....	E-13-10-8		
BOLT, STUD, 10X45.....	E-6-10-32		
BOLT, STUD, 12X40.....	F-3-15		
BOLT, STUD, 6X68.....	E-19-8		
BOLT, STUD, 8X28.....	E-14-23		
BOLT, STUD, 8X45.....	E-14-24		
BOLT, TENSIONER.....	E-19-24		
BOLT, TIMING BELT ADJUSTING SPRING.....	E-13-20		
BOLT, TIMING BELT COVER.....	E-13-10-7		
BOLT, TIMING BELT IDLER A.....	E-13-14		
BOLT, WASHER, 6X121.....	E-6-10-34		
BOLT, WASHER, 8X60.....	F-4-16		
BOLT-WASHER, 10X109.....	E-3-27		
BOLT-WASHER, 10X32.....	F-3-13		
BOLT-WASHER, 10X32.....	F-10-38		
BOLT-WASHER, 10X47.....	F-3-35		
BOLT-WASHER, 10X60.....	E-3-28		
BOLT-WASHER, 10X80.....	E-3-29		
BOLT-WASHER, 11X105.....	E-3-30		
BOLT-WASHER, 12X163.....	E-9-13		
BOLT-WASHER, 12X35.....	E-13-23		
BOLT-WASHER, 16X49.....	E-13-21		
BOLT-WASHER, 5X18.....	E-14-10-15		
BOLT-WASHER, 5X30.....	E-15-18		
BOLT-WASHER, 6X16.....	F-2-42		
BOLT-WASHER, 6X25.....	E-15-17		
BOLT-WASHER, 6X25.....	F-3-20-57		
BOLT-WASHER, 6X25.....	F-7-11-13		
BOLT-WASHER, 6X27.....	E-20-3		
BOLT-WASHER, 6X27(CT200).....	E-20-11-7		

BOLT-WASHER, 6X27(CT200)	F-7-11-12	CAMSHAFT, L.	E-9-10-2	CLIP, TUBE	E-18-2-2
BOLT-WASHER, 6X29	E-6-10-36	CAMSHAFT, R.	E-9-10-1	CLIP, TUBE	E-18-10-10
BOLT-WASHER, 8X35	E-18-46	CAMSHAFT, R.	E-9-10-1	CLIP, TUBE(B10)	E-6-10-40
BOSS, FLYWHEEL	E-5-12	CAP COMP., OIL TANK	F-11-28	CLIP, TUBE(B12)	E-1-27
BOX ASSY., JUNCTION	F-7-30-1	CAP, BOLT, 10MM	E-3-10-12	CLIP, TUBE(B12.5)	E-18-2-29
BOX ASSY., REMOTE CONTROL (NHK MEC)	FOP-3-7-1	CAP, GRIP	FOP-3-7	CLIP, TUBE(B12.5)	E-6-10-41
BOX ASSY., REMOTE CONTROL(EU)	FOP-3-6-1	CAP, GRIP	FOP-3-2-9	CLIP, TUBE(B12.5)	E-18-2-30
BOX KIT, REMOTE CONTROL	FOP-3-1	CAP, HANDLE	FOP-3-6-5	CLIP, TUBE(B12.5)	F-3-20-48
BOX KIT, REMOTE CONTROL	FOP-3-2-1	CAP, L. SIDE COVER	F-8-10-24	CLIP, TUBE(B8)	E-18-2-28
BOX KIT, REMOTE CONTROL	FOP-3-4-1	CAP, OIL(YELLOW)	E-3-10-4	CLIP, TUBE(B8)	F-10-65
BRACKET	FOP-3-7-11	CAP, RUBBER	FOP-3-7-16	CLIP, WIRE	E-18-10-20
BRACKET A, RR. COVER	F-8-10-8	CAP, SWITCH	FOP-3-8	CLIP, WIRE HARNESS	E-18-2-33
BRACKET ASSY.	F-11-6	CAP, TIMING BELT TENSIONER	E-13-8	CLIP, WIRE HARNESS	F-7-4
BRACKET B, HARNESS CLIP	E-3-20	CAP, TROLLING CONTROL		CLIP, WIRE HARNESS	F-7-11-21
BRACKET B, RR. COVER	F-8-10-9	SWITCH BLANK	FOP-3-7-22	CLIP, WIRE HARNESS	F-7-11-22
BRACKET C, COUPLER	F-7-11-2	CAP, UNDER COVER	F-3-20-24	CLIP, WIRE HARNESS	F-10-67
BRACKET C, HARNESS CLIP	E-1-16	CAP, WATER JOINT	F-3-20-4	CLIP, WIRE HARNESS(6.3MM)	FOP-3-6-65
BRACKET, A.C. GENERATOR FUSE	E-20-11-3	CARTRIDGE, OIL FILTER	E-3-10-3	CLIP, WIRE HARNESS, 10MM	E-14-26
BRACKET, BUZZER	FOP-4-22	CASE A, SILENCER	E-15-10	CLIP, WIRE HARNESS, 25MM	E-18-2-32
BRACKET, BUZZER	FOP-4-1-14	CASE ASSY., GEAR(L)	F-3-10-1	CLIP, WIRE HARNESS, 25MM	E-20-11-10
BRACKET, CABLE	F-8-10-1	CASE ASSY., GEAR(XL)	F-3-10-1	CLIP, WIRE HARNESS, 25MM	F-3-20-50
BRACKET, CLIP B	E-1-15	CASE ASSY., GEAR(XL)(C/R)	F-3-10-1	CLUTCH COMP., OVERRUNNING	E-21-3
BRACKET, CLIP B	E-3-19	CASE ASSY., OIL SEAL	E-3-2	COCK ASSY., FUEL DRAIN	E-18-2-25
BRACKET, COUPLER D	E-13-17	CASE B, SILENCER	E-15-11	COIL COMP., PLUG HOLE	E-20-1
BRACKET, ECU	E-20-11-5	CASE COMP., MOUNT	E-6-10-22	COLLAR	E-18-23
BRACKET, FR	E-21-10	CASE COMP., PUMP	E-18-27	COLLAR	E-18-26
BRACKET, FR. COVER	F-8-10-5	CASE KIT, GEAR	F-3-1	COLLAR, 6.2X10X25.5	F-3-20-53
BRACKET, HARNESS CLIP A	E-14-17	CASE, ELECTRONIC PARTS	E-20-11-1	COLLAR, 8.5X14.5	E-18-55
BRACKET, HOOK	F-8-5	CASE, EXTENSION	F-3-20-10	COLLAR, 8.5X14.5	F-8-10-37
BRACKET, L. SIDE COVER	F-8-10-7	CASE, EXTENSION	F-3-20-10	COLLAR, C.D.I. UNIT CASE	E-15-24
BRACKET, L. STERN	F-10-25	CASE, FLUSH VALVE	E-6-10-7	COLLAR, C.D.I. UNIT CASE	E-20-5
BRACKET, LINK JOINT	FOP-3-6-19	CASE, GEAR	F-3-4	COLLAR, C.D.I. UNIT CASE	E-20-11-11
BRACKET, NEUTRAL SWITCH	F-2-19	CASE, GEAR	F-3-4	COLLAR, C.D.I. UNIT CASE	F-7-11-25
BRACKET, R. SIDE COVER	F-8-10-6	CASE, GEAR	F-3-4	COLLAR, DISTANCE	F-4-32
BRACKET, R. STERN	F-10-24	CASE, GEAR	F-3-4	COLLAR, DISTANCE	FOP-2-15
BRACKET, REMOTE CONTROL		CASE, GEAR	F-3-4	COLLAR, DISTANCE(A)	FOP-7-3
HOUSING	FOP-3-12	CASE, GEAR	F-3-4	COLLAR, DISTANCE(B)	FOP-7-4
BRACKET, REMOTE CONTROL		CASE, GEAR	F-3-4	COLLAR, DISTANCE, 6.5X9X3	F-8-15
HOUSING	FOP-3-2-13	CASE, GEAR	F-3-4	COLLAR, DISTANCE, 6.5X9X5	F-3-20-53
BRACKET, RR	E-21-11	CASE, POWER TILT RELAY	F-7-11-11	COLLAR, DISTANCE, 6X10.5X25	F-3-20-54
BRACKET, SENSOR CORD	E-14-10-8	CASE, SWIVEL	F-10-20	COLLAR, DISTANCE, 6X10X43.5	FOP-3-6-67
BRACKET, SHIFT LINK	F-2-16	CASE, SWIVEL	F-10-20	COLLAR, LINK JOINT	FOP-3-6-66
BRACKET, SOLENOID VALVE	E-1-7	CIRCLIP, EXTERNAL, 15MM	F-5-29	COLLAR, LOWER CYLINDER	F-10-33
BRACKET, TILTING	F-10-28	CIRCLIP, EXTERNAL, 15MM	F-5-1-30	COLLAR, MOUNTING(6MM)	F-7-11-23
BRACKET, WIRE CLAMP	FOP-3-7-15	CIRCLIP, EXTERNAL, 39MM	F-10-66	COLLAR, ORIFICE	F-11-48
BREAKER ASSY.	F-11-1	CIRCLIP, INTERNAL	F-11-36	COLLAR, SHIFT SLIDER	F-2-11
BRUSH ASSY.	F-11-2	CIRCLIP, INTERNAL, 43	F-3-20-49	COLLAR, SLIDING PLATE	FOP-3-6-16
BRUSH SET	E-21-7	CLAMP	F-6-5	COLLAR, STEERING ROD	F-10-71
BUFFER, PLATE	E-18-2-8	CLAMP	F-6-8	COLLAR, TIMING BELT COVER	E-13-10-10
BUSH A, COVER LOCK	F-8-10-15	CLAMP, CHECK VALVE	E-18-10-1	CONTROL UNIT, ELECTRONIC	E-20-11-4
BUSH A, THRUST RECEIVE	F-10-31	CLAMP, FUEL TUBE	E-18-10-21	CONTROL UNIT, ELECTRONIC	E-20-11-4
BUSH B, COVER LOCK	F-8-10-16	CLAMP, HARNESS	FOP-3-6-9	CORD ASSY., INDICATOR(20FT)	FOP-4-5
BUSH B, THRUST RECEIVE	F-10-32	CLAMP, HOSE	E-18-10-9	CORD ASSY., INDICATOR(25FT)	FOP-4-5
BUSH COMP., VERTICAL SHAFT	F-3-20-12	CLAMP, POWER TILT CORD	FOP-3-6-31	CORD ASSY., INDICATOR(30FT)	FOP-4-5
BUSH, INSULATION	E-19-4	CLAMP, TUBE	F-10-21	CORD COMP., EMERGENCY	FOP-3-6-42
BUSH, INSULATION	E-19-18	CLAMP, TUBE(D10.5)	E-4-21	CORD COMP., EMERGENCY	FOP-3-7-38
BUSH, LOWER CYLINDER	F-11-25	CLAMP, TUBE(D10.5)	E-18-10-19	CORD COMP., EMERGENCY	FOP-4-16
BUSH, MOTOR CODE	F-11-20	CLAMP, TUBE(D10.7)	E-18-10-18	CORD COMP., EMERGENCY	FOP-4-1-9
BUSH, SHIFT ARM	F-2-15	CLAMP, TUBE(D21)	E-4-23	CORD, A.C. GENERATOR	F-7-11-8
BUSH, SWIVEL CASE	F-10-23	CLAMP, TUBE(D29)	E-4-22	CORD, SWITCH	E-3-21
BUSH, SWIVEL CASE	F-11-12	CLAMP, TUBE(D32.5)	E-1-25	COTTER, VALVE(FUJI VALVE)	E-9-10-20
BUSH, TILT ARM	F-10-27	CLAMP, WIRE, 8MM	E-18-2-31	COVER ASSY.	FOP-3-4-11
BUTTON, THROTTLE	FOP-3-9	CLAMPER, SENSOR TUBE	F-10-12	COVER ASSY., CRANKCASE UPPER	E-3-1
BUTTON, THROTTLE	FOP-3-2-10	CLIP A, WIRE	E-1-17	COVER ASSY., ENGINE	F-8-3
BUTTON, THROTTLE	FOP-3-4-8	CLIP D, SPEEDOMETER CABLE	E-14-18	COVER ASSY., ENGINE	F-8-3
BUZZER COMP., WARNING	FOP-3-6-46	CLIP D, WASHER TUBE	E-1-33	COVER ASSY., ENGINE	F-8-3
BUZZER COMP., WARNING	FOP-3-7-41	CLIP, 10.7MM	F-11-35	COVER ASSY., ENGINE	F-8-3
BUZZER COMP., WARNING	FOP-4-21	CLIP, BRAKE PIPE	F-2-21	COVER ASSY., ENGINE	F-8-3
BUZZER COMP., WARNING	FOP-4-1-13	CLIP, DETENT	FOP-3-7-9	COVER ASSY., ENGINE	F-8-3
<C>		CLIP, EMERGENCY LOCK	FOP-3-6-43	COVER ASSY., L. TIMING BELT	E-13-10-3
CABLE ASSY., POWER TILT RELAY	F-7-11-7	CLIP, EMERGENCY LOCK	FOP-4-17	COVER ASSY., R. TIMING BELT	E-13-10-2
CABLE ASSY., REMOTE CONTROL(B)	FOP-3-6-34	CLIP, EMERGENCY LOCK	FOP-4-1-10	COVER B, TERMINAL	F-7-11-6
CABLE ASSY., REMOTE CONTROL(B)	FOP-3-7-30	CLIP, HARNESS	E-1-28	COVER B, TERMINAL(L)	F-7-11-5
CABLE ASSY., STARTER	F-7-11-3	CLIP, HARNESS	E-18-53	COVER COMP.	E-18-4
CABLE ASSY., SWITCH PANEL	FOP-4-10	CLIP, HARNESS	F-8-10-35	COVER COMP., FUSE	F-7-30-2
CABLE ASSY., SWITCH PANEL	FOP-4-10	CLIP, HARNESS BAND(BLACK)	E-3-48	COVER COMP., INTAKE MANIFOLD	E-14-10-5
CABLE ASSY., SWITCH PANEL	FOP-4-10	CLIP, HARNESS BAND(BLACK)	E-13-10-11	COVER COMP., L. UNDER ENGINE	F-3-20-21
CABLE ASSY., SWITCH PANEL	FOP-4-10	CLIP, HARNESS BAND(BLACK)	F-2-44	COVER COMP., L. UNDER ENGINE	F-3-20-21
CABLE ASSY., SWITCH PANEL (20FT)	FOP-4-10	CLIP, HARNESS BAND(BLACK)	F-7-6	COVER COMP., L. UNDER ENGINE	F-3-20-21
CABLE ASSY., SWITCH PANEL (25FT)	FOP-4-10	CLIP, HARNESS BAND(BLACK)	F-7-11-24	COVER COMP., L. UNDER ENGINE	F-3-20-21
CABLE ASSY., SWITCH PANEL (30FT)	FOP-4-10	CLIP, HARNESS BAND(BLACK)	F-8-10-36	COVER COMP., R. UNDER ENGINE	F-3-20-20
CABLE COMP. A, COVER LOCK	F-8-10-12	CLIP, HARNESS BAND(BLACK)	FOP-12-3	COVER COMP., R. UNDER ENGINE	F-3-20-20
CABLE COMP. B, COVER LOCK	F-8-10-13	CLIP, INJECTOR	E-14-2	COVER COMP., R. UNDER ENGINE	F-3-20-20
CABLE COMP., THROTTLE	E-15-13	CLIP, PISTON PIN	E-7-4	COVER COMP., R. UNDER ENGINE	F-3-20-20
CABLE SET, PANEL INDICATOR	FOP-4-2	CLIP, ROLLER	FOP-3-7-71	COVER, BEARING	E-19-5
CABLE SET, PANEL INDICATOR	FOP-4-2	CLIP, SENSOR HOSE	E-1-18	COVER, DRAIN PLUG(L)	F-3-20-13
CABLE SET, PANEL INDICATOR	FOP-4-2	CLIP, SHIFT WIRE	E-1-19	COVER, DRAIN PLUG(XL)	F-3-20-13
CAMSHAFT, L.	E-9-10-2	CLIP, TUBE	E-6-10-1	COVER, DUAL GRIP	FOP-3-2-8

COVER, FLUSH VALVE.....	E-6-10-6	FUSE, MINI(30A).....	F-7-30-11	HOLDER, SEAL.....	F-2-17
COVER, FR.....	F-8-7	<G>		HOLDER, SHIFT ROD.....	F-4-12
COVER, FR, SEPARATE.....	F-3-20-9	GASKET B, IMPELLER.....	F-4-5	HOLDER, STRIKER.....	F-8-10-21
COVER, GEAR CASE.....	F-3-6	GASKET B, IMPELLER.....	FOP-2-7	HOSE A, PRESSURE REGULATOR.....	E-18-10-12
COVER, GRIP.....	FOP-3-4-4	GASKET COMP., CYLINDER HEAD.....	E-9-9	HOSE B, PRESSURE REGULATOR.....	E-18-10-13
COVER, IMPELLER.....	F-4-4	GASKET, EAC VALVE.....	E-15-5	HOSE COMP., FUEL.....	E-14-9
COVER, IMPELLER.....	FOP-2-6	GASKET, EX. PIPE.....	E-6-4	HOSE COMP., FUEL JOINT.....	E-14-10
COVER, L. CAMSHAFT THRUST.....	E-9-8	GASKET, FR. INJECTOR BASE.....	E-14-12	HOUSING ASSY., L. INNER.....	FOP-3-3
COVER, L. CYLINDER HEAD.....	E-1-3	GASKET, INTAKE MANIFOLD.....	E-14-15	HOUSING ASSY., L. INNER.....	FOP-3-2-3
COVER, L. GRIP.....	FOP-3-5	GASKET, INTAKE MANIFOLD.....	E-14-10-1	HOUSING ASSY., R. INNER.....	FOP-3-2-4
COVER, L. GRIP.....	FOP-3-2-6	GASKET, L. EX. MANIFOLD.....	E-4-5	HOUSING ASSY., R. INNER.....	FOP-3-4-2
COVER, L. LOWER MOUNTING.....	F-3-20-27	GASKET, MOUNT CASE.....	E-6-10-23	HOUSING COMP.,	
COVER, L. LOWER MOUNTING.....	F-3-20-27	GASKET, R. EX. MANIFOLD.....	E-4-3	REMOTE CONTROL BOX.....	FOP-3-13
COVER, L. RELIEF VALVE.....	E-6-10-17	GASKET, RR. INJECTOR BASE.....	E-14-14	HOUSING COMP.,	
COVER, L. WATER JACKET.....	E-6-10-21	GASKET, THROTTLE BODY.....	E-15-2	REMOTE CONTROL BOX(A).....	FOP-3-6-10
COVER, LEVER.....	FOP-3-7-6	GAUGE COMP., OIL LEVEL.....	E-3-53	HOUSING COMP.,	
COVER, LOCK ARM.....	FOP-3-4-6	GEAR ASSY., INTERNAL.....	E-21-16	REMOTE CONTROL BOX(B).....	FOP-3-6-11
COVER, NEUTRAL SWITCH.....	F-2-20	GEAR ASSY., PLANETARY.....	E-21-4	HOUSING COMP.,	
COVER, OIL LEVEL GAUGE.....	E-3-14	GEAR ASSY., SHIFT.....	FOP-3-7-23	REMOTE CONTROL BOX(DUAL).....	FOP-3-2-14
COVER, OIL PUMP.....	E-5-4	GEAR COMP., BEVEL(RVS. 28T).....	F-5-1-9	HOUSING, FR.....	FOP-3-7-12
COVER, PLUG MAINTENANCE.....	F-3-20-19	GEAR SET.....	F-5-8	HOUSING, IMPELLER.....	F-4-2
COVER, POWER TRIM-TILT WIRE.....	FOP-3-7-18	GEAR SET(COUNTER ROTATION).....	F-5-1-8	HOUSING, IMPELLER.....	FOP-2-4
COVER, POWER TRIM-TILT WIRE.....	FOP-3-7-74	GEAR, BEVEL(RVS. 28T).....	F-5-9	HOUSING, LEAD.....	FOP-3-14
COVER, PUMP.....	E-18-28	GEAR, DRIVE.....	FOP-3-7-24	HOUSING, LEAD.....	FOP-3-2-15
COVER, PUMP(A).....	E-18-29	GENERATOR ASSY., A.C.....	E-19-14	HOUSING, LOWER CENTER MOUNTING.....	F-10-17
COVER, R. CAMSHAFT THRUST.....	E-9-7	GENERATOR ASSY., A.C.....	E-19-14	HOUSING, LOWER CENTER MOUNTING.....	F-10-17
COVER, R. CYLINDER HEAD.....	E-1-1	GRIP.....	FOP-3-7-5	HOUSING, LOWER MOUNTING.....	F-3-20-16
COVER, R. LOWER MOUNTING.....	F-3-20-26	GRIP, REMOTE CONTROL HANDLE.....	FOP-3-6	HOUSING, REMOTE CONTROL BOX(C).....	FOP-3-6-12
COVER, R. LOWER MOUNTING.....	F-3-20-26	GRIP, REMOTE CONTROL HANDLE.....	FOP-3-2-7	HOUSING, RR.....	FOP-3-7-13
COVER, R. RELIEF VALVE.....	E-6-10-13	GRIP, REMOTE CONTROL HANDLE.....	FOP-3-6-4	HOUSING, UPPER MOUNTING.....	F-10-14
COVER, R. WATER JACKET.....	E-6-10-19	GRIP, SCREW DRIVER.....	F-13-3	HOUSING, WATER PUMP.....	F-4-6
COVER, STARTER TERMINAL.....	F-7-11-4	GROMMET A, UNDER CASE.....	F-8-10-3	HOUSING, WATER PUMP.....	F-4-6
COVER, THERMOSTAT.....	E-4-11	GROMMET, AIR CLEANER CASE.....	F-8-1	HOUSING, WATER PUMP.....	F-4-6
COVER, UPPER MOUNT.....	F-10-18	GROMMET, ELECTRONIC PARTS CASE.....	E-20-4	HOUSING, WATER PUMP.....	F-4-6
COVER, WATER JACKET.....	E-18-12	GROMMET, ELECTRONIC PARTS CASE.....	E-20-11-2	HOUSING, WATER PUMP.....	F-4-6
CRANKCASE COMP.....	E-3-10-1	GROMMET, ELECTRONIC PARTS CASE.....	F-7-11-1	HOUSING, WATER PUMP.....	F-4-6
CRANKSHAFT COMP.....	E-7-8	GROMMET, EXTENSION CASE.....	F-4-13	HOUSING, WATER PUMP.....	F-4-6
CUP.....	E-18-2-17	GROMMET, GEAR CASE.....	F-3-5	HOUSING, WATER PUMP.....	F-4-6
CUP SET, WATER SEPARATOR.....	E-18-2-7	GROMMET, L. IDLE PORT.....	F-3-20-29	<I>	
<D>		GROMMET, L. IDLE PORT.....	F-3-20-29	IDLER B, TIMING BELT.....	E-13-15
DAMPER, HOOK.....	F-8-6	GROMMET, L. IDLE PORT.....	F-3-20-60	IDLER, TIMING BELT(KOYO SEIKO).....	E-13-12
DOWEL PIN, 10X12.....	E-14-30	GROMMET, L. IDLE PORT.....	F-3-20-60	IMPELLER, PUMP.....	F-4-1
DOWEL PIN, 13X37.....	E-3-39	GROMMET, L. IDLE PORT.....	F-3-20-60	IMPELLER, PUMP.....	FOP-2-3
DOWEL PIN, 14X15.....	E-5-16	GROMMET, POWER TILT SWITCH.....	F-3-20-8	INJECTOR ASSY., FUEL.....	E-14-1
DOWEL PIN, 14X15.....	E-6-10-42	GROMMET, R. IDLE PORT.....	F-3-20-28	INSULATOR.....	E-18-31
DOWEL PIN, 16X22.....	E-9-18	GROMMET, R. IDLE PORT.....	F-3-20-28	INSULATOR COMP.....	E-18-30
DOWEL PIN, 5X8.....	E-3-52	GROMMET, R. IDLE PORT.....	F-3-20-59	<J>	
DOWEL PIN, 6X10.....	E-3-51	GROMMET, R. IDLE PORT.....	F-3-20-59	JOINT A, VACUUM TUBE.....	E-14-10-7
DOWEL PIN, 6X10.....	E-9-17	GROMMET, RELAY.....	F-7-11-10	JOINT ASSY (INLET).....	F-6-2
DOWEL PIN, 6X10.....	E-9-21	GROMMET, RELAY BRACKET.....	E-20-11-6	JOINT ASSY (OUTLET).....	F-6-3
DOWEL PIN, 6X10.....	E-13-28	GROMMET, SILENCER.....	E-15-12	JOINT ASSY., OIL PIPE.....	E-3-12
DOWEL PIN, 6X10.....	E-15-26	GROMMET, TIMING BELT COVER.....	E-13-10-1	JOINT B, WASHER TUBE(MITSUBA).....	F-10-8
DOWEL PIN, 6X10.....	F-3-25	GROMMET, UNDER CASE.....	E-15-16	JOINT SET.....	E-18-6
DOWEL PIN, 6X10.....	F-3-20-51	GROMMET, UNDER CASE(C).....	F-3-20-7	JOINT, DRIVE.....	F-11-16
DOWEL PIN, 6X10.....	F-4-23	GROMMET, UNDER CASE(C).....	F-11-10	JOINT, FUEL PIPE.....	E-14-8
DOWEL PIN, 8X14.....	E-3-10-17	GROMMET, VAPOR SEPARATOR.....	E-18-34	JOINT, FUEL PIPE.....	E-18-38
DRIVER 3, MINUS SCREW(NO.2).....	F-13-8	GROMMET, VAPOR SEPARATOR.....	E-18-35	JOINT, FUEL PIPE.....	E-18-38
DRUM ASSY., FREE THROTTLE.....	FOP-3-7-26	GROMMET, WATER CHECK.....	F-3-20-30	JOINT, FUEL RETURN.....	E-18-10-11
DUCT, ENGINE COVER.....	F-8-9	GROMMET, WATER TUBE.....	E-6-6	JOINT, FUEL TUBE.....	F-8-20-6
<E>		GROMMET, WIRE(14).....	FOP-3-7-21	JOINT, WATER HOSE.....	F-3-20-2
END COVER, RR.....	E-19-17	GUIDE COMP., ROD.....	F-11-50	<K>	
END, NIPPLE.....	F-10-10	GUIDE, EX. VALVE(OS).....	E-9-3	KEY, 4.5X24.....	E-13-26
E-RING, 10MM.....	F-4-33	GUIDE, IN. VALVE(OS).....	E-9-2	KEY, SPECIAL.....	E-13-27
E-RING, 12MM.....	F-2-41	GUIDE, L. EX.....	E-6-10-5	KEY, WOODRUFF.....	F-4-22
E-RING, 15MM.....	F-11-49	GUIDE, R. EX.....	E-6-10-2	KEY, WOODRUFF.....	FOP-2-11
E-RING, 3MM.....	FOP-3-6-77	<H>		KIT, CABLE(NMEA)(6FT).....	FOP-12-1
E-RING, 4MM.....	F-2-40	HANDLE, REMOTE CONTROL.....	FOP-3-4	<L>	
E-RING, 4MM.....	FOP-3-6-78	HANDLE, REMOTE CONTROL.....	FOP-3-2-5	LABEL, FUSE & OIL CAUTION.....	F-12-16
E-RING, 6MM.....	F-8-10-38	HANDLE, REMOTE CONTROL.....	FOP-3-4-3	LABEL, SIGP.....	FOP-3-7-45
E-RING, 6MM.....	FOP-3-36	HANDLE, REMOTE CONTROL.....	FOP-3-6-2	LABEL, WARNING OPERATOR.....	F-12-14
E-RING, 6MM.....	FOP-3-2-41	HANGER, ENGINE.....	E-3-10-2	LAMP ASSY., INDICATION.....	FOP-3-6-44
E-RING, 6MM.....	FOP-3-4-28	HANGER, ENGINE.....	E-9-1	LAMP ASSY., INDICATION.....	FOP-3-7-39
E-RING, 6MM(LOOSE PARTS).....	FOP-3-7-65	HARNESS ASSY., MAIN WIRE.....	F-7-1	LAMP ASSY., INDICATION(4-LED).....	FOP-4-19
E-RING, 7MM.....	FOP-3-6-79	HARNESS ASSY., MAIN WIRE.....	F-7-1	LAMP ASSY., INDICATION(4-LED).....	FOP-4-1-11
EXTENSION, OIL FILLER.....	E-3-10-5	HARNESS ASSY., SWITCH PANEL.....	FOP-4-9	LEVER SET.....	E-21-18
<F>		HARNESS ASSY., SWITCH PANEL.....	FOP-4-1-4	LEVER, COVER LOCK.....	F-8-10-14
FILTER.....	E-18-2-14	HARNESS COMP.....	E-18-41	LEVER, FREE THROTTLE.....	FOP-3-7-28
FILTER ASSY., SPOOL VALVE.....	E-3-17	HEAD COMP., CYLINDER.....	E-9-5	LEVER, HAND.....	FOP-3-7-3
FILTER ASSY., SPOOL VALVE.....	E-3-17	HOLDER.....	E-18-11	LEVER, HANDLE LOCK.....	FOP-3-6-3
FILTER B.....	F-11-18	HOLDER ASSY., BRUSH.....	E-19-1	LEVER, IDLE.....	FOP-3-6-22
FLOAT.....	E-18-2-16	HOLDER COMP., BRUSH.....	E-21-9	LINER, PUMP.....	F-4-3
FLOAT SET.....	E-18-2	HOLDER, BEARING.....	F-5-12	LINER, PUMP.....	FOP-2-5
FLYWHEEL COMP.....	E-5-11	HOLDER, BEARING(C/R).....	F-5-1-12	LINER, SWIVEL CASE.....	F-10-22
FRAME COMP., MOUNTING(L).....	F-10-13	HOLDER, NEUTRAL LOCK.....	FOP-3-4-14	LOCK ASSY., FR.....	F-8-10-22
FRAME COMP., MOUNTING(XL).....	F-10-13	HOLDER, NEUTRAL LOCK.....	FOP-3-7-20	LOCK COMP., SIDE.....	F-8-10-23
FUSE, BLOCK(150A).....	F-7-30-3	HOLDER, OIL FILTER.....	E-3-10-6	LOW PERMEATION HOSE L=1600.....	F-6-7
FUSE, MINI(10A).....	F-7-30-9	HOLDER, PROPELLER SHAFT.....	F-5-11	LOW PERMEATION HOSE L=700.....	F-6-6
FUSE, MINI(15A).....	F-7-30-10	HOLDER, PROPELLER SHAFT.....	F-5-1-11	<M>	
		HOLDER, ROD(A).....	F-8-20-3	MANIFOLD COMP., INTAKE.....	E-14-10-3

MANIFOLD COMP., L. EX.....	E-4-4	ORIFICE ASSY., OIL CONTROL.....	E-3-10	PIN B, DOWEL, 10X16.....	E-6-10-51
MANIFOLD COMP., R. EX.....	E-4-2	O-RING.....	E-14-10-13	PIN, 6X6.....	FOP-3-6-63
MARK, EMBLEM.....	FOP-3-7-44	O-RING.....	E-15-23	PIN, LINK.....	F-2-35
MARK, EMERGENCY STOP (US).....	FOP-3-7-72	O-RING.....	E-18-13	PIN, LOCK, 6MM.....	FOP-3-6-62
MARK, EMERGENCY STOP(US).....	FOP-3-7-43	O-RING.....	E-18-14	PIN, PISTON.....	E-7-3
MARK, FAST IDLE.....	FOP-3-6-48	O-RING.....	E-18-15	PIN, SHIFTER, 8X50.....	F-5-2
MARK, FAST IDLE.....	FOP-3-7-42	O-RING.....	E-18-16	PIN, SHIFTER, 8X50.....	F-5-1-2
MARK, FLUSH MOUNT.....	FOP-3-4-19	O-RING.....	E-18-17	PIN, SNAP, 6MM.....	F-2-34
MARK, FR. EMBLEM(TOHATSU).....	F-12-19	O-RING.....	E-18-18	PIN, SPLIT, 4.0.....	F-3-26
MARK, HANDLE FLUSH MOUNT.....	FOP-3-4-18	O-RING.....	E-18-19	PIN, SPLIT, 4.0.....	F-5-21
MARK, L. SIDE STRIPE.....	F-12-18	O-RING.....	E-18-2-21	PIN, SPLIT, 4.0.....	F-5-1-21
MARK, R. SIDE STRIPE.....	F-12-6	O-RING.....	E-18-2-22	PIN, SPRING, 3X20.....	F-10-73
MARK, REMOTE CONTROL(DUAL).....	FOP-3-2-24	O-RING.....	E-18-2-24	PIN, UPPER CYLINDER.....	F-11-26
MARK, REMOTE CONTROL(SINGLE).....	FOP-3-21	O-RING.....	F-3-32	PIN, VERTICAL SHAFT.....	E-13-18
MARK, RR.(BFT200).....	F-12-3	O-RING.....	F-4-28	PIPE COMP., L. EX.....	E-6-5
MARK, RR.(BFT225).....	F-12-4	O-RING SET, 3.5X31.7.....	F-11-45	PIPE COMP., L. FUEL.....	E-14-5
MESH, FUEL FILTER.....	E-14-4	O-RING, 1.8X69.6.....	F-11-39	PIPE COMP., R. EX.....	E-6-3
METAL COMP., ANODE.....	F-3-10	O-RING, 1.8X7.7.....	F-11-41	PIPE, FUEL.....	E-18-10-6
METAL KIT, ANODE.....	F-10-1	O-RING, 1.9X11.....	F-11-42	PIPE, HARNESS GUIDE.....	FOP-3-6-32
METAL, ANODE.....	E-3-4	O-RING, 110X3.1.....	F-3-33	PIPE, R. FUEL.....	E-14-3
METAL, ANODE.....	E-3-5	O-RING, 110X3.1.....	F-5-28	PISTON.....	E-7-2
METAL, ANODE.....	E-4-1	O-RING, 110X3.1.....	F-5-1-29	PISTON COMP., FREE.....	F-11-22
METER LEAD WIRE.....	FOP-5-1-3	O-RING, 13X1.5(ARAI).....	E-3-46	PISTON(0.25).....	E-7-2
MOTION COMP., LOST.....	E-9-10	O-RING, 15.54X2.26.....	F-10-70	PIVOT, SHIFT.....	F-2-12
MOTION COMP., LOST.....	E-9-10	O-RING, 16.3X3.5.....	E-3-45	PIVOT, SHIFT.....	FOP-3-6-17
MOTOR ASSY., POWER TILT.....	F-11-5	O-RING, 16MM.....	E-6-10-45	PLATE.....	E-18-10
MOTOR ASSY., STARTER.....	E-21-1	O-RING, 18.3X3.5.....	E-3-43	PLATE.....	E-18-44
MOUNT COMP., LOWER RUBBER.....	F-3-20-17	O-RING, 2.0X70.5.....	F-11-38	PLATE.....	E-18-2-23
MOUNT COMP., UPPER RUBBER.....	F-10-15	O-RING, 20.6X2.6.....	E-5-19	PLATE ASSY.....	FOP-3-7-2
<N>		O-RING, 23.5X2.....	E-6-10-48	PLATE COMP., SLIDING.....	FOP-3-6-15
NIPPLE, GREASE.....	F-10-68	O-RING, 25X2.4(NOK).....	E-3-47	PLATE SET, TRANSOM(5.5MM FLAT).....	FOP-9-2
NIPPLE, SENSOR.....	F-10-11	O-RING, 26.2X2.4(NOK).....	E-3-44	PLATE SET, TRIM ADJUST.....	FOP-9-1
NUT, 5MM.....	FOP-3-7-56	O-RING, 26.9X2.4(NOK).....	F-2-39	PLATE, CABLE CLAMP.....	FOP-3-11
NUT, 6MM(LOOSE PARTS).....	FOP-3-7-54	O-RING, 26X2.7.....	E-3-10-16	PLATE, CABLE CLAMP.....	FOP-3-2-12
NUT, CASTLE, 18MM.....	F-5-14	O-RING, 3.5X35.7.....	F-11-43	PLATE, DWELL.....	FOP-3-15
NUT, CASTLE, 18MM.....	F-5-1-14	O-RING, 3.5X38.7.....	F-11-40	PLATE, DWELL.....	FOP-3-2-16
NUT, FLANGE CAP, 10MM.....	E-3-10-15	O-RING, 3.5X41.7.....	F-11-44	PLATE, DWELL.....	FOP-3-4-10
NUT, FLANGE, 10MM.....	F-10-51	O-RING, 31.5X2.4(ARAI).....	E-4-26	PLATE, HANDLE.....	FOP-3-10
NUT, FLANGE, 12MM.....	F-10-48	O-RING, 33.5X2.....	E-6-10-47	PLATE, HANDLE.....	FOP-3-2-11
NUT, FLANGE, 5MM.....	FOP-4-4	O-RING, 37X2.4(ARAI).....	E-1-29	PLATE, INTAKE MANIFOLD CENTER.....	E-14-10-4
NUT, FLANGE, 5MM.....	FOP-4-1-2	O-RING, 48.5X2.4.....	E-9-20	PLATE, L. TIMING BELT COVER.....	E-13-10-4
NUT, FLANGE, 8MM.....	E-14-25	O-RING, 49.4X3.1.....	E-6-10-46	PLATE, LEVER SETTING.....	FOP-3-6-8
NUT, FLANGE, 8MM.....	E-14-10-19	O-RING, 59.4X3.1.....	E-21-23	PLATE, LOCK.....	F-2-13
NUT, FLANGE, 8MM.....	E-19-25	O-RING, 6.9X1.45.....	F-3-30	PLATE, R. TIMING BELT COVER.....	E-13-10-5
NUT, HEX., 12MM.....	F-10-72	O-RING, 6.9X1.45.....	F-3-31	PLATE, REMOTE CONTROL.....	FOP-3-6-47
NUT, HEX., 16MM.....	F-3-20-41	O-RING, 66.4X3.1.....	E-4-24	PLATE, REMOTE CONTROL CABLE.....	F-2-2
NUT, HEX., 16MM.....	FOP-3-6-53	O-RING, 69.1X2.4.....	F-4-31	PLATE, RUBBER SETTING.....	F-3-2
NUT, HEX., 16MM.....	FOP-3-7-55	O-RING, 69.1X2.4.....	FOP-2-14	PLATE, SHIFT.....	F-5-7
NUT, HEX., 16MM.....	FOP-4-24	O-RING, 7.45X3.61(NOK).....	E-14-29	PLATE, SHIFT.....	F-5-1-7
NUT, HEX., 16MM.....	FOP-4-1-16	O-RING, 7.47X3.6.....	E-14-28	PLATE, SPRING SETTING.....	FOP-3-6-23
NUT, HEX., 18MM.....	F-4-19	O-RING, 7.8X1.9(ARAI).....	E-14-27	PLATE, STARTER CABLE.....	F-8-10-2
NUT, HEX., 20MM.....	F-2-27	O-RING, 7.8X1.9(ARAI).....	E-18-54	PLATE, SWITCH.....	FOP-3-7-35
NUT, HEX., 5MM.....	FOP-3-29	O-RING, 8.8X2.4.....	E-3-11	PLATE, TIMING BELT GUIDE.....	E-13-2
NUT, HEX., 5MM.....	FOP-3-35	O-RING, 9.5X1.9.....	E-3-42	PLATE, WATER TUBE.....	E-6-7
NUT, HEX., 5MM.....	FOP-3-2-33	O-RING, 9.5X1.9.....	E-4-25	PLATE, WINKER BUZZER.....	FOP-3-6-45
NUT, HEX., 5MM.....	FOP-3-2-34	O-RING, PRESSURE REGULATOR.....	E-14-7	PLATE, WINKER BUZZER.....	FOP-3-7-40
NUT, HEX., 5MM.....	FOP-3-2-40	O-RING, TIMING BELT TENSIONER BASE.....	E-13-11	PLATE, WINKER BUZZER.....	FOP-4-20
NUT, HEX., 5MM.....	FOP-3-6-76	O-RING, WATER PUMP.....	F-4-29	PLATE, WINKER BUZZER.....	FOP-4-1-12
NUT, HEX., 6MM.....	E-19-27	O-RING, WATER PUMP.....	FOP-2-12	PLUG, BLIND, 20MM.....	F-8-2
NUT, HEX., 6MM.....	F-8-18	O-RING, WATER PUMP HOUSING.....	F-4-30	PLUG, FUEL TUBE.....	F-8-20-2
NUT, HEX., 6MM.....	FOP-3-4-25	O-RING, WATER PUMP HOUSING.....	FOP-2-13	PLUG, HOLE, 5MM.....	F-3-20-55
NUT, HEX., 6MM.....	FOP-3-6-54	<P>		PLUG, INNER CONNECTOR.....	FOP-3-6-35
NUT, HEX., 6MM.....	FOP-3-6-75	PACKING.....	E-21-17	PLUG, INNER CONNECTOR.....	FOP-3-7-31
NUT, LOCK, 64MM.....	F-4-18	PACKING.....	F-11-47	PLUG, INNER CONNECTOR.....	FOP-4-11
NUT, PULLEY LOCK.....	E-19-7	PACKING, DUAL.....	FOP-3-2-19	PLUG, INNER CONNECTOR.....	FOP-4-1-5
NUT, SELF-LOCK(25X2.0).....	F-10-50	PACKING, FLASH VALVE.....	E-6-10-16	PLUG, OUTER CONNECTOR.....	FOP-3-6-36
NUT, SELF-LOCK(3/8-24UNF).....	F-10-52	PACKING, HEAD COVER.....	E-1-2	PLUG, OUTER CONNECTOR.....	FOP-3-7-32
NUT, SELF-LOCK(7/8-14UNF).....	F-10-49	PACKING, INTAKE MANIFOLD UP.....		PLUG, OUTER CONNECTOR.....	FOP-4-12
NUT, SELF-LOCK, 12MM.....	F-3-22	COVER.....	E-14-10-6	PLUG, OUTER CONNECTOR.....	FOP-4-1-6
NUT, SELF-LOCK, 14MM.....	F-3-20-42	PACKING, OIL HOLE.....	E-3-9	PLUG, SPARK(IZFR6K-11E)(NGK).....	E-20-2
NUT, SELF-LOCK, 5MM.....	F-3-20	PACKING, OIL LEVEL GAUGE.....	E-3-15	PRIMER BULB.....	F-6-4
NUT, SELF-LOCK, 6MM.....	F-3-19	PACKING, OIL PAN.....	E-6-2	PRIMER BULB ASSY.....	F-6-1
NUT, SELF-LOCK, 6MM.....	F-10-47	PACKING, OIL PUMP BODY.....	E-5-2	PROPELLER COMP., THREE BLADES.....	FOP-10-1
NUT, TAPPET ADJUSTING.....	E-9-10-23	PACKING, RELIEF VALVE.....	E-6-10-15	PROPELLER COMP., THREE BLADES.....	FOP-10-1
NUT, TAPPET ADJUSTING.....	E-9-10-24	PACKING, RELIEF VALVE COVER.....	E-6-10-14	PROPELLER COMP., THREE BLADES.....	FOP-10-1
NUT, WATER MOUTH.....	F-3-20-1	PACKING, SINGLE.....	FOP-3-18	PROPELLER COMP., THREE BLADES.....	FOP-10-1
NUT-WASHER, 5MM.....	E-19-26	PACKING, THROTTLE BODY.....	E-14-10-2	PROPELLER COMP., THREE BLADES.....	FOP-10-1
NUT-WASHER, 6MM.....	F-7-11-18	PACKING, WATER JACKET COVER.....	E-6-10-20	PROPELLER COMP., THREE BLADES.....	FOP-10-1
NUT-WASHER, 8MM.....	F-7-11-17	PAN, OIL.....	E-6-1	PROPELLER COMP., THREE BLADES.....	FOP-10-1
<O>		PANEL ASSY., INDICATOR(4-LED).....	FOP-4-18	PROPELLER COMP., THREE BLADES.....	FOP-10-1
OIL SEAL.....	F-11-37	PANEL ASSY., SWITCH.....	FOP-4-6	PROPELLER COMP., THREE BLADES.....	FOP-10-1
OIL SEAL, 14X26X6.....	F-2-37	PANEL KIT, SWITCH(4-LED).....	FOP-4-1-1	PROPELLER COMP., THREE BLADES.....	FOP-10-1
OIL SEAL, 31X46X7(NOK).....	E-5-18	PANEL KIT, SWITCH(B)(4-LED).....	FOP-4-1	PROPELLER COMP., THREE BLADES.....	FOP-10-1
OIL SEAL, 39.5X52X6(ARAI).....	F-10-69	PANEL, BACK.....	FOP-3-7-14	PROPELLER COMP., THREE BLADES.....	FOP-10-1
OIL SEAL, 39X53X8(NOK).....	E-9-19	PANEL, CONTROL.....	FOP-4-7	PROPELLER COMP., THREE BLADES.....	FOP-10-1
OIL SEAL, 41X66X8.....	E-3-40	PANEL, CONTROL.....	FOP-4-8	PROPELLER COMP., THREE BLADES.....	FOP-10-1
OIL SEAL, 46X60X9.....	E-5-17	PANEL, CONTROL.....	FOP-4-1-3	PROPELLER COMP., THREE BLADES.....	FOP-10-1
OIL SEAL, 80X98X10(ARAI).....	E-3-41	PIN B, DOWEL, 10X16.....	E-5-21	PROPELLER COMP., THREE BLADES.....	FOP-10-1

PROPELLER COMP., THREE BLADES	FOP-10-1	SCREW, PAN, 5X10	FOP-3-23	SENSOR ASSY., WATER TEMPERATURE	E-3-24
PULLER, MINI FUSE	F-7-30-4	SCREW, PAN, 5X10	FOP-3-2-26	SENSOR ASSY., WATER TEMPERATURE	E-4-14
PULLEY	E-19-6	SCREW, PAN, 5X10	FOP-3-6-69	SENSOR COMP, KNOCK	E-3-18
PULLEY COMP., L. TIMING BELT DRIVEN	E-13-5	SCREW, PAN, 5X12	E-18-2-15	SENSOR COMP, TDC1-TDC2	E-13-10-6
PULLEY COMP., R. TIMING BELT DRIVEN	E-13-4	SCREW, PAN, 5X16	E-3-49	SENSOR, OXYGEN	E-4-13
PULLEY, CRANKSHAFT	E-13-3	SCREW, PAN, 5X16	FOP-3-22	SEPARATOR ASSY., VAPOR	E-18-33
PULLEY, TIMING BELT DRIVE	E-13-1	SCREW, PAN, 5X16	FOP-3-2-25	SEPARATOR ASSY., WATER	E-18-2-6
PUMP ASSY.	F-11-14	SCREW, PAN, 5X16	FOP-3-4-20	SHAFT ASSY., CLUTCH	E-21-13
PUMP ASSY., FUEL	E-1-9	SCREW, PAN, 5X18	FOP-3-25	SHAFT ASSY., GEAR	E-21-15
PUMP ASSY., OIL	E-5-1	SCREW, PAN, 5X18	FOP-3-2-28	SHAFT COMP., EX. ROCKER ARM	E-9-10-9
PUMP KIT, IMPELLER	FOP-2-1	SCREW, PAN, 5X20	E-3-50	SHAFT COMP., FR. INTAKE	
PUMP KIT, IMPELLER	FOP-2-2	SCREW, PAN, 5X20	FOP-3-24	ROCKER ARM	E-9-10-8
PUMP UNIT SET A, FUEL	E-18-7	SCREW, PAN, 5X20	FOP-3-2-27	SHAFT COMP., INTAKE ROCKER ARM	E-9-10-8
PUMP UNIT SET B, FUEL	E-18-9	SCREW, PAN, 5X30	FOP-3-4-22	SHAFT COMP., SHIFT(A)	F-2-8
PUMP UNIT, FUEL	E-18-37	SCREW, PAN, 5X40	FOP-3-28	SHAFT COMP., SHIFT(B)	F-2-14
<R>		SCREW, PAN, 5X40	FOP-3-2-31	SHAFT, COVER OPEN	F-8-10-19
RECEIVER, THRUST	F-10-30	SCREW, PAN, 5X40	FOP-4-23	SHAFT, FR. LOCK	F-8-10-20
RECTIFIER ASSY.	E-19-19	SCREW, PAN, 5X40	FOP-4-1-15	SHAFT, PROPELLER	F-5-10
REGULATOR ASSY.	E-19-20	SCREW, PAN, 5X55	FOP-3-2-32	SHAFT, PROPELLER	
REGULATOR ASSY., PRESSURE	E-14-6	SCREW, PAN, 5X65	FOP-3-34	(COUNTER ROTATION)	F-5-1-10
RELAY ASSY., FUEL PUMP(DENSO)	F-7-30-5	SCREW, PAN, 5X65	FOP-3-2-39	SHAFT, THROTTLE BUTTON	FOP-3-4-9
RELAY ASSY., POWER TILT	F-7-11-9	SCREW, PAN, 5X8	E-21-22	SHAFT, TILTING	F-10-26
RELAY ASSY., POWER(12V-20A)	F-7-30-6	SCREW, PAN, 6X10	FOP-3-6-50	SHAFT, VERTICAL(L)	F-4-14
RETAINER, SPRING	E-7-13	SCREW, PAN, 6X18	E-4-27	SHAFT, VERTICAL(XL)	F-4-14
RETAINER, SPRING	E-7-13	SCREW, PAN, 6X18	FOP-3-27	SHIFTER, CLUTCH	F-5-1
RETAINER, VALVE SPRING	E-9-10-18	SCREW, PAN, 6X18	FOP-3-2-30	SHIFTER, CLUTCH	F-5-1-1
RING	E-18-32	SCREW, PAN, 6X22(SPECIAL)	E-21-21	SHIM A, BEVEL(0.10)	F-5-18
RING SET, PISTON(0.25)	E-7-1	SCREW, PAN, 6X25	F-3-20-40	SHIM A, BEVEL(0.10)	F-5-1-18
RING SET, PISTON(STD.)	E-7-1	SCREW, PAN, 6X35	FOP-3-4-23	SHIM A, GEAR(0.10)	F-4-21
RING, BACK UP	F-11-19	SCREW, PAN, 6X8	F-10-44	SHIM A, THRUST(0.10)	F-5-1-19
RING, CROSS PIN.	F-5-3	SCREW, PAN, 6X8	F-10-77	SHIM A, THRUST(2.75)	F-5-19
RING, CROSS PIN.	F-5-1-3	SCREW, PAN, 6X8	F-11-33	SHIM B, BEVEL(0.15)	F-5-18
RING, INNER(15X20X23)	F-2-36	SCREW, RIVET, 5X10	F-10-45	SHIM B, BEVEL(0.15)	F-5-1-18
RING, STOPPER	F-2-7	SCREW, RIVET, 5X10	F-11-34	SHIM B, GEAR(0.15)	F-4-21
RING, WATER TUBE SEAL	F-4-8	SCREW, SPECIAL, 6X35	F-3-20-33	SHIM B, THRUST(0.15)	F-5-1-19
RING, WATER TUBE SEAL	FOP-2-8	SCREW, TAPPET ADJUSTING	E-9-10-14	SHIM B, THRUST(2.80)	F-5-19
ROD COMP. A, SHIFT(L)	F-4-11	SCREW, TAPPET ADJUSTING	E-9-10-15	SHIM C, BEVEL(0.30)	F-5-18
ROD COMP. A, SHIFT(XL)	F-4-11	SCREW, TAPPING, 4X10	F-8-16	SHIM C, BEVEL(0.30)	F-5-1-18
ROD COMP., CONNECTING	E-7-6	SCREW, TAPPING, 4X10	F-8-17	SHIM C, GEAR(0.30)	F-4-21
ROD COMP., PISTON	F-11-51	SCREW, TAPPING, 5X10	FOP-3-6-71	SHIM C, THRUST(0.30)	F-5-1-19
ROD COMP., PISTON(B)	F-11-15	SCREW, TAPPING, 5X12	FOP-3-6-72	SHIM C, THRUST(2.85)	F-5-19
ROD COMP., SHIFT	F-4-9	SCREW, TAPPING, 5X20	E-15-25	SHIM D, BEVEL(0.50)	F-5-18
ROD COMP., SHIFT		SCREW, TAPPING, 5X25	FOP-3-6-74	SHIM D, BEVEL(0.50)	F-5-1-18
(COUNTER ROTATION)	F-4-9	SCREW, TAPPING, 5X8	FOP-3-6-70	SHIM D, GEAR(0.50)	F-4-21
ROD KIT, STEERING	F-10-3	SCREW, TAPPING, 6X16	FOP-3-6-73	SHIM D, THRUST(0.50)	F-5-1-19
ROD, LINK	F-2-10	SCREW, TAPPING, 6X30	FOP-3-4-24	SHIM D, THRUST(2.90)	F-5-19
ROLLER	FOP-3-7-67	SCREW, TRUSS, 4X12	FOP-3-4-21	SHIM E, THRUST(2.95)	F-5-19
ROLLER, 3X13.8	F-5-26	SCREW, WASHER	E-18-22	SHIM F, THRUST(3.00)	F-5-19
ROLLER, 3X13.8	F-5-1-27	SCREW, WAVE WASHER	E-19-12	SHIM G, THRUST(3.05)	F-5-19
ROLLER, 5X8	E-5-25	SCREW, WAVE WASHER	E-19-13	SHIM H, THRUST(3.10)	F-5-19
ROLLER, CLICK	FOP-3-6-64	SCREW-WASHER	E-18-20	SHIM I, THRUST(2.70)	F-5-19
ROLLER, DRIVE GEAR CAM	FOP-3-7-66	SCREW-WASHER	E-19-11	SHIM J, THRUST(2.65)	F-5-19
ROLLER, FREE THROTTLE	FOP-3-7-70	SCREW-WASHER, 5X15	F-7-30-8	SHIM K, THRUST(2.60)	F-5-19
ROTOR ASSY.	E-19-15	SCREW-WASHER, 6X40	F-3-20-40	SHIM L, THRUST(2.55)	F-5-19
ROTOR COMP.	E-21-2	SEAL A, COVER UNDER	F-3-20-22	SHIM M, THRUST(2.50)	F-5-19
ROTOR, OIL PUMP INNER	E-5-5	SEAL A, VALVE STEM(NOK)	E-9-4	SLIDER COMP., SHIFT	F-5-4
ROTOR, OIL PUMP OUTER	E-5-6	SEAL B, COVER UNDER	F-3-20-23	SLIDER COMP., SHIFT	F-5-1-4
RUBBER C, STAND STOPPER	F-3-20-56	SEAL B, EX. GUIDE	E-6-10-4	SLIDER, SHIFT	F-5-5
RUBBER, DRAIN PLUG	F-3-20-11	SEAL B, VALVE STEM(NOK)	E-9-6	SLIDER, SHIFT	F-5-1-5
RUBBER, FR. CARRIER CUSHION	F-8-10-11	SEAL C, UNDER COVER	F-3-20-25	SLINGER, OIL	F-4-15
RUBBER, MOUNT CASE SEAL	E-6-10-24	SEAL D, UNDER COVER	F-8-10-25	SPACER KIT, REMOTE CONTROL BOX	FOP-3-2
RUBBER, OIL PUMP	E-5-3	SEAL, ENGINE COVER	F-8-4	SPACER KIT, REMOTE CONTROL BOX	FOP-3-2-2
RUBBER, RING	E-4-28	SEAL, EXHAUST GUIDE	E-6-10-3	SPACER(1)(LOOSE PARTS)	FOP-3-7-10
RUBBER, SEAL SILENCER	E-15-7	SEAL, L. IDOL PORT	F-3-20-15	SPACER(2)(LOOSE PARTS)	FOP-3-7-64
RUBBER, STOPPER	F-8-10-10	SEAL, L. IDOL PORT	F-3-20-15	SPACER, CABLE CLAMP	FOP-3-17
RUBBER, UPPER MOUNT STOPPER	F-10-16	SEAL, R. IDOL PORT	F-3-20-14	SPACER, CABLE CLAMP	FOP-3-2-18
<S>		SEAL, R. IDOL PORT	F-3-20-14	SPACER, CABLE CLAMP	FOP-3-4-13
SCREEN COMP., FUEL STRAINER	E-18-39	SEAL, RUBBER	FOP-3-7-19	SPACER, CABLE CLAMP	FOP-3-6-33
SCREEN, L. WATER	F-3-8	SEAL, SPARK PLUG TUBE(NOK)	E-1-4	SPACER, CLICK SPRING	FOP-3-6-27
SCREEN, R. WATER	F-3-7	SEAL, UPPER MOUNT COVER	F-10-19	SPACER, INTAKE MANIFOLD	E-14-16
SCREW	E-19-9	SEAL, WATER	F-11-46	SPACER, L. RELIEF VALVE	E-6-10-18
SCREW	E-19-10	SEAL, WATER(14X26X8)	F-2-38	SPACER, NEUTRAL SWITCH	FOP-3-6-30
SCREW SET	E-15-1	SEAL, WATER, 12X21X6	F-3-29	SPACER, R. RELIEF VALVE	E-6-10-12
SCREW SET, DRAIN	E-18-5	SEAL, WATER, 12X21X6	F-4-27	SPACER, REMOTE CONTROL BOX	FOP-3-6-26
SCREW SET, DRAIN	E-18-2-1	SEAL, WATER, 22X35X7	E-6-10-44	SPACER, THERMOSTAT	E-4-12
SCREW, 4X10	FOP-3-7-49	SEAL, WATER, 26X42X7	F-3-27	SPACER, THROTTLE BODY	E-15-4
SCREW, 4X6	FOP-3-7-47	SEAL, WATER, 26X42X7	F-4-26	SPRING COMP., CLICK	F-2-5
SCREW, 5X10	FOP-3-7-48	SEAL, WATER, 30X45X7	F-3-28	SPRING COMP., CLICK	F-10-4
SCREW, 5X12	FOP-3-7-50	SEAL, WATER, 30X45X7	F-5-27	SPRING COMP., TIMING BELT	
SCREW, 5X18	FOP-3-7-46	SEAL, WATER, 30X45X7	F-5-1-28	ADJUSTING	E-13-9
SCREW, 6X90(LOOSE PARTS)	FOP-3-7-51	SEAT, SPRING(225)	E-7-14	SPRING(1)	FOP-3-7-27
SCREW, 6X95	FOP-3-6-52	SEAT, SPRING(225)	E-7-14	SPRING(2)	FOP-3-7-8
SCREW, FLAT, 5X12	FOP-3-6-51	SEAT, VALVE SPRING	E-9-10-19	SPRING, ACCELERATOR WHEEL	FOP-3-6-21
SCREW, FLAT, 5X55	F-3-12	SEAT, WATER MOUTH	F-3-20-3	SPRING, AIR FLOW TUBE	E-15-8
SCREW, FLAT, 6X16	E-5-20	SENSOR ASSY., AIR TEMP	E-15-14	SPRING, CHOKE RETURN	FOP-3-6-25
SCREW, PAN	E-18-21	SENSOR ASSY., CRANK	E-3-25	SPRING, CLICK ASSIST.	F-2-6
SCREW, PAN, 4X10	FOP-3-26	SENSOR ASSY., MAP	E-14-10-12	SPRING, CLICK ASSIST.	F-10-5
SCREW, PAN, 4X10	FOP-3-2-29	SENSOR ASSY., TRIM ANGLE	F-10-7	SPRING, COVER LOCK HOOK	F-8-10-17

SPRING, DETENT	FOP-3-7-29	TUBE A, AIR VENT	E-18-10-3	WASHER, PLAIN, 12MM	F-3-20-46
SPRING, EX. VALVE (YELLOW GREEN) ..	E-9-10-17	TUBE B, AIR VENT	E-18-10-4	WASHER, PLAIN, 12MM	F-4-20
SPRING, FLUSH VALVE	E-6-10-8	TUBE B, BREATHER	E-1-31	WASHER, PLAIN, 12MM	F-5-20
SPRING, IN. VALVE (GRAY)	E-9-10-16	TUBE C, BREATHER	E-1-32	WASHER, PLAIN, 12MM	F-5-1-20
SPRING, LOCK ADJUSTER	F-8-8	TUBE COMP. A, BREATHER	E-1-30	WASHER, PLAIN, 12MM	F-8-14
SPRING, LOCK LEVER RETURN	F-8-10-18	TUBE COMP. A, FUEL	F-8-20-4	WASHER, PLAIN, 12MM	F-10-63
SPRING, MOTOR	F-11-9	TUBE COMP. B, FUEL	E-18-2-10	WASHER, PLAIN, 12MM	F-10-64
SPRING, NEUTRAL LOCK ARM	FOP-3-4-7	TUBE COMP. D, FUEL	E-18-2-11	WASHER, PLAIN, 14MM	F-3-20-44
SPRING, RELIEF VALVE	E-5-9	TUBE COMP. E, FUEL	E-18-2-12	WASHER, PLAIN, 4MM	FOP-3-6-55
SPRING, RELIEF VALVE	E-6-10-11	TUBE COMP. G, FUEL	E-1-12	WASHER, PLAIN, 5MM	FOP-3-31
SPRING, REMOTE CONTROL HANDLE ..	FOP-3-6-7	TUBE COMP., AIR VENT	E-18-10-5	WASHER, PLAIN, 5MM	FOP-3-33
SPRING, ROCKER ARM	E-9-10-10	TUBE COMP., FUEL(C)	E-1-34	WASHER, PLAIN, 5MM	FOP-3-2-36
SPRING, SET	E-18-40	TUBE KIT, SPEED SENSOR	F-10-2	WASHER, PLAIN, 5MM	FOP-3-2-38
SPRING, SHIFT	F-5-6	TUBE, 5X200	F-10-74	WASHER, PLAIN, 5MM	FOP-3-6-56
SPRING, SHIFT	F-5-1-6	TUBE, 5X950	F-10-75	WASHER, PLAIN, 5MM	FOP-3-6-57
SPRING, SHIFT CLICK	FOP-3-6-24	TUBE, CHECK VALVE	E-18-10-2	WASHER, PLAIN, 5MM	FOP-4-26
SPRING, SHIFT ROD	F-4-10	TUBE, FLUSH VALVE	E-6-10-50	WASHER, PLAIN, 5MM	FOP-4-1-18
SPRING, SUPPORT	E-7-15	TUBE, FUEL, 3.5X130	E-14-10-21	WASHER, PLAIN, 6MM	E-15-22
SPRING, SUPPORT	E-7-15	TUBE, FUEL, 3.5X40	E-14-10-20	WASHER, PLAIN, 6MM	F-2-30
STAY COMP.	E-18-2-3	TUBE, FUEL, 3.5X50	E-14-31	WASHER, PLAIN, 6MM	F-2-32
STAY, A.C. GENERATOR	E-19-16	TUBE, FUEL, 3.5X540	E-14-10-22	WASHER, PLAIN, 6MM	F-2-33
STAY, FUEL PIPE A	E-18-2-4	TUBE, FUEL, 3.5X55	E-18-10-22	WASHER, PLAIN, 6MM	F-8-13
STAY, FUEL PIPE B	E-18-2-5	TUBE, FUEL, 3.5X590	E-14-10-23	WASHER, PLAIN, 6MM	F-10-60
STAY, FUEL STRAINER	E-18-2-18	TUBE, FUEL, 3.5X600	E-14-10-24	WASHER, PLAIN, 6MM	FOP-3-4-27
STAY, PLATE	E-18-8	TUBE, L. WATER RETURN	E-4-9	WASHER, PLAIN, 6MM	FOP-3-6-58
STAY, PLATE	E-18-36	TUBE, OIL	E-1-5	WASHER, PLAIN, 8MM	E-1-23
STAY, POWER TILT SWITCH	F-3-20-6	TUBE, R. WATER RETURN	E-4-6	WASHER, PLAIN, 8MM	E-6-12
STAY, VACUUM TANK	E-18-43	TUBE, SPIRAL(12X14.6)	F-11-4	WASHER, PLAIN, 8MM	F-7-11-19
STAY, WATER SEPARATOR	E-18-2-9	TUBE, VINYL, 3.5X6.5X350	E-18-2-34	WASHER, PLAIN, 8MM	F-8-10-28
STOPPER SET, SLEEVE	E-21-8	TUBE, VINYL, 3.5X6.5X600	E-18-10-23	WASHER, PLAIN, 8MM	F-8-10-34
STOPPER, LOWER MOUNT	F-3-20-18	TUBE, WATER	E-4-8	WASHER, PLAIN, 8MM	FOP-3-6-60
STOPPER, TILT	F-10-29	TUBE, WATER CHECK	E-6-10-49	WASHER, PROPELLER	F-5-17
STRAINER ASSY., FUEL	E-18-2-13	TUBE, WATER IN.	E-18-10-14	WASHER, PROPELLER	F-5-1-17
STRAINER COMP., OIL	E-5-7	TUBE, WATER JOINT	F-3-20-52	WASHER, PROPELLER THRUST	F-5-15
STRAINER, FUEL PUMP	E-18-10-7	TUBE, WATER OUTLET	E-18-10-15	WASHER, PROPELLER THRUST	F-5-1-15
SUB HARNESS ASSY., POWER	FOP-3-4-16	TUBE, WATER RELIEF	E-4-7	WASHER, SEALING(22MM)	E-3-8
SUB HARNESS ASSY.,		TUBE, WATER(L)	F-4-7	WASHER, SEALING, 22MM	E-3-7
POWER TRIM-TILT(A)	FOP-3-19	TUBE, WATER(XL)	F-4-7	WASHER, SEALING, 6MM	E-18-52
SUB HARNESS ASSY.,		<V>		WASHER, SPRING, 5MM	FOP-4-27
POWER TRIM-TILT(A)	FOP-3-2-20	VALVE ASSY., AIR BYPASS	E-14-10-10	WASHER, SPRING, 5MM	FOP-4-1-19
SUB HARNESS ASSY.,		VALVE ASSY., EAC	E-15-15	WASHER, THRUST	E-7-10
POWER TRIM-TILT(B)	FOP-3-2-21	VALVE ASSY., SPOOL	E-3-16	WASHER, THRUST	E-7-10
SUSPENSION, COUPLER	F-7-2	VALVE ASSY., SPOOL	E-3-16	WASHER, THRUST	E-9-10-11
SUSPENSION, STRAINER	E-18-2-19	VALVE COMP., MANUAL	F-11-23	WASHER, THRUST BEARING	F-5-16
SUSPENSION, STRAINER	E-18-2-20	VALVE COMP., RESERVOIR	F-11-24	WASHER, THRUST BEARING	F-5-1-16
SUSPENSION, STRAINER	E-18-10-8	VALVE SET, FLOAT	E-18-1	WASHER, THRUST, 14MM	F-2-28
SWITCH ASSY., COMBINATION	FOP-3-6-38	VALVE, CHECK	E-14-10-9	WASHER, THRUST, 34MM	F-10-56
SWITCH ASSY., COMBINATION	FOP-3-7-33	VALVE, CHECK	E-18-10-17	WASHER, UPPER MOUNTING STOPPER ..	F-10-57
SWITCH ASSY., COMBINATION	FOP-4-14	VALVE, EX.	E-9-10-13	WASHER, WAVE	FOP-3-7-63
SWITCH ASSY., COMBINATION	FOP-4-1-7	VALVE, FLASH	E-6-10-10	WASHER, WAVE, 10MM	F-8-10-33
SWITCH ASSY., EMERGENCY STOP	FOP-3-6-41	VALVE, IN.	E-9-10-12	WASHER, WAVE, 12MM	F-10-54
SWITCH ASSY., EMERGENCY STOP	FOP-3-7-37	VALVE, RELIEF	E-5-8	WASHER, WAVE, 26MM	F-10-55
SWITCH ASSY., EMERGENCY STOP	FOP-4-15	VALVE, RELIEF	E-6-10-9	WASHER, WAVE, 40MM	F-10-53
SWITCH ASSY., EMERGENCY STOP	FOP-4-1-8	<W>		WASHER, WAVE, 8MM	F-8-10-39
SWITCH ASSY., MAGNET	E-21-12	WASHER	F-2-31	WHEEL, ACCELERATOR	FOP-3-6-20
SWITCH ASSY., NEUTRAL	F-2-43	WASHER B, THRUST, 14MM	F-2-29	WHEEL, CONTROL	FOP-3-6-13
SWITCH ASSY., OIL PRESSURE	E-3-22	WASHER KIT, THRUST(200/225)	E-7-16	WIRE, LEAD(1.5X116MM)	F-10-9
SWITCH ASSY., OIL PRESSURE	E-3-23	WASHER KIT, THRUST(200/225)	E-7-16	WIRE, LEAD(1.5X116MM)	F-11-11
SWITCH ASSY., POWER TILT	F-3-20-5	WASHER(3)	FOP-3-7-58	WRENCH, BOX(10MM)	F-13-11
SWITCH ASSY., POWER TRIM-TILT	FOP-3-4-17	WASHER(4)	FOP-3-7-59	WRENCH, EYE, 19MM	F-13-12
SWITCH ASSY., POWER TRIM-TILT	FOP-3-6-39	WASHER(5)	FOP-3-7-60	WRENCH, HEX., 6MM	F-13-7
SWITCH ASSY., POWER TRIM-TILT	FOP-3-7-34	WASHER(7)(LOOSE PARTS)	FOP-3-7-62	WRENCH, PLUG	F-13-6
SWITCH ASSY., POWER TRIM-TILT (A) ..	FOP-3-20	WASHER, 10MM	F-10-61	<Y>	
SWITCH ASSY., POWER TRIM-TILT (A) ..	FOP-3-2-22	WASHER, 25MM	F-10-59	YOKE ASSY.	F-11-8
SWITCH ASSY., POWER TRIM-TILT (B) ..	FOP-3-2-23	WASHER, 28MM	FOP-3-6-61	YOKE COMP.	E-21-5
SWITCH KIT, LIGHT	FOP-4-3	WASHER, 30MM	F-3-20-43		
<T>		WASHER, 6MM	FOP-3-6-59		
TAB, TRIM	F-3-9	WASHER, 7/8INCH	F-10-58		
TACHOMETER HOUR METER	FOP-5-1-2	WASHER, 8MM	FOP-2-10		
TACHOMETER HOUR METER	FOP-5-1-2	WASHER, 8MM	FOP-3-7-61		
TANK COMP., VACUUM	E-18-42	WASHER, AIR CLEANER COVER			
TANK, OIL	F-11-27	SETTING	F-2-1		
TENSIONER COMP., TIMING BELT	E-13-7	WASHER, CONICAL SPRING(5)	E-14-10-11		
TERMINAL, CABLE	FOP-3-16	WASHER, DRAIN PLUG, 12MM	E-6-13		
TERMINAL, CABLE	FOP-3-2-17	WASHER, LOCK, 5MM	FOP-3-30		
TERMINAL, CABLE	FOP-3-4-12	WASHER, LOCK, 5MM	FOP-3-2-35		
TERMINAL, CABLE(LOOSE PARTS)	FOP-3-7-25	WASHER, LOCK, 5MM	FOP-3-4-26		
THERMOSTAT ASSY.	E-4-10	WASHER, LOCK, 6MM	FOP-3-32		
THROTTLE BODY ASSY.	E-15-3	WASHER, LOCK, 6MM	FOP-3-2-37		
TIE, CABLE	FOP-12-2	WASHER, PIVOT	F-2-4		
TIE, CABLE(NATURAL)(2.4X92)	FOP-3-6-37	WASHER, PLAIN	E-18-24		
TIE, CABLE(NATURAL)(2.4X92)	FOP-4-13	WASHER, PLAIN	E-18-25		
T-JOINT	E-1-14	WASHER, PLAIN, 10MM	E-6-10-39		
T-JOINT	E-18-10-16	WASHER, PLAIN, 10MM	F-3-20-47		
TRAP, FLAME	E-15-6	WASHER, PLAIN, 10MM	F-8-10-32		
TRIM METER ASSY.	FOP-5-1-1	WASHER, PLAIN, 10MM	F-10-62		
TRIM METER ASSY.	FOP-5-1-1	WASHER, PLAIN, 12MM	E-6-10-38		
TRIM-TILT ASSY., POWER	F-11-13	WASHER, PLAIN, 12MM	F-3-23		

INDEX (Parts Number)

332-70201-0	F-6-8	HCO-94301-06100	E-3-51	HMR5-16966-000	F-8-20-6	HPM3-14775-000	E-9-10-19
3C7-70217-0	F-6-5	HCO-94301-06100	E-13-28	HMT2-17193-000	E-1-14	HPM3-90206-004	E-9-10-23
3C7-70220-1	F-6-2	HCO-94301-06100	E-15-26	HMT8-18334-770	FOP-4-4	HPM4-36145-004	E-14-10-9
3C7-70224-1	F-6-3	HCO-94301-08140	E-3-10-17	HMT8-18334-770	FOP-4-1-2	HPNA-91214-014	E-3-41
3FF-70200-4	F-6-1	HCO-94301-10120	E-14-30	HP01-91212-003	E-5-18	HPNA-91302-003	E-14-29
3GF-70211-1	F-6-4	HCO-94302-06100	E-9-21	HP08-12342-004	E-1-4	HPNA-91307-003	E-3-42
3GF-70240-1	F-6-7	HCO-94302-10160	E-5-21	HP0A-91303-A02	E-15-23	HPNA-91307-003	E-4-25
3GF-70241-1	F-6-6	HCO-94302-10160	E-6-10-51	HP0X-91321-003	E-3-47	HPP4-90009-E01	E-18-45
3PU-72537-0	FOP-5-1-3	HCO-94303-05080	E-3-52	HP13-31141-003	E-19-6	HPR3-91319-003	E-3-46
3PU-72571-0	FOP-5-1-1	HCO-94305-30203	F-10-73	HP13-31147-003	E-19-10	HPR7-31105-A01	E-19-1
3PU-72637-0	FOP-5-1-2	HCO-94510-15000	F-5-29	HP13-31148-003	E-19-12	HPR7-36361-A01	E-18-42
3PU-72637-0	FOP-5-1-2	HCO-94510-15000	F-5-1-30	HP5A-13115-000	E-7-4	HPT0-14744-004	E-9-10-15
3PV-72571-0	FOP-5-1-1	HCO-94540-03029	FOP-3-6-77	HP5A-31201-005	E-21-2	HPT0-31111-003	E-19-2
3PV-72637-0	FOP-5-1-2	HCO-94540-04029	F-2-40	HP5A-31243-005	E-21-14	HPT0-31114-013	E-19-3
H121-51640-730	F-8-10-11	HCO-94540-04029	FOP-3-6-78	HP5G-16614-003	E-14-4	HPT0-31118-003	E-19-4
H196-47117-000	F-8-10-10	HCO-94540-06029	F-8-10-38	HP8A-11812-A00	E-13-10-1	HPT0-31146-003	E-19-9
H341-38403-672	FOP-3-6-45	HCO-94540-06029	FOP-3-3-6	HP8A-13204-A01	E-7-5	HPT0-31147-003	E-19-11
H341-38403-672	FOP-3-7-40	HCO-94540-06029	FOP-3-2-41	HP8A-13321-A01	E-7-9	HPT0-31148-003	E-19-13
H341-38403-672	FOP-4-20	HCO-94540-06029	FOP-3-4-28	HP8A-13322-A01	E-7-9	HPT0-90005-003	E-9-13
H341-38403-672	FOP-4-1-12	HCO-94540-07029	FOP-3-6-79	HP8A-13323-A01	E-7-9	HPT0-90206-004	E-9-10-24
H355-89217-000	F-13-11	HCO-94540-10019	F-4-33	HP8A-13324-A01	E-7-9	HPT0-90705-000	E-9-18
H371-89221-000	F-13-7	HCO-94540-12029	F-2-41	HP8A-13325-A01	E-7-9	HP22-91005-N01	F-5-22
H371-90009-015	E-6-10-25	HCO-94540-15029	F-11-49	HP8A-13326-A01	E-7-9	HP22-91005-N01	F-5-1-22
H663-38562-920	F-10-8	HCO-95001-35040-40	E-14-10-20	HP8A-13341-A01	E-7-11	HPW5-90701-000	E-5-16
H723-90472-000	F-4-20	HCO-95001-35050-40	E-14-31	HP8A-13342-A01	E-7-11	HPW5-90701-000	E-6-10-42
H759-16911-003	E-18-10-7	HCO-95001-35055-40	E-18-10-22	HP8A-13343-A01	E-7-11	HPXK-14711-000	E-9-10-12
H763-90681-A01	F-7-11-21	HCO-95001-35130-40	E-14-10-21	HP8A-13344-A01	E-7-11	HPY3-17249-000	E-15-8
H763-90681-A01	F-10-67	HCO-95001-35540-40	E-14-10-22	HP8A-13345-A01	E-7-11	HPY3-31215-004	E-21-4
H800-91303-000	E-6-10-45	HCO-95001-35590-60	E-14-10-23	HP8A-13346-A01	E-7-11	HPY3-31218-004	E-21-6
H805-91301-000	E-3-10-16	HCO-95001-35600-40	E-14-10-24	HP8A-14400-A01	E-13-6	HPZ1-12210-004	E-9-4
H881-90110-000	F-10-42	HCO-95003-05035-31	E-18-2-34	HP8A-14551-A01	E-13-13	HPZ1-12211-014	E-9-6
H921-15611-000	E-3-10-14	HCO-95003-05060-31	E-18-10-23	HP8A-14620-A01	E-9-10-5	HR70-13210-A0	E-7-6
H921-17936-000	F-2-4	HCO-95005-5020030	F-10-74	HP8A-14626-A00	E-9-10-6	HRCA-14632-A00	E-9-10-9
H921-90302-000	F-3-20-41	HCO-95005-5095030	F-10-75	HP8A-14627-A00	E-9-10-7	HRCA-17055-A01	E-14-12
H921-90302-000	FOP-3-6-53	HCO-95011-63000	F-3-20-56	HP8A-14631-A00	E-9-10-8	HRCA-17065-A01	E-14-14
H921-90302-000	FOP-3-7-55	HCO-95551-20000	F-8-2	HP8A-14645-A01	E-9-10-10	HRCA-90014-A01	E-3-30
H921-90302-000	FOP-4-24	HCO-95701-06014-09	E-5-22	HP8A-15115-A01	E-3-9	HRCA-90704-A00	E-13-26
H921-90302-000	FOP-4-1-16	HCO-95701-06018-09	E-5-23	HP8A-15140-A00	E-3-10	HRDV-14610-J00	E-9-10-4
H921-90504-010	F-8-13	HCO-95701-08030-09	E-5-24	HP8A-15142-A00	E-3-11	HRDV-14631-J00	E-9-10-8
H921-90504-010	FOP-3-6-58	HCO-95701-10070-09	E-6-10-52	HP8A-15150-A00	E-3-12	HRDV-14646-J00	E-9-10-11
H921-90511-000	F-10-62	HCO-95701-12120-09	E-6-10-53	HP8A-90003-A00	E-9-10-21	HRDV-14765-J00	E-9-10-18
H921-90512-010	FOP-3-6-59	HCO-96211-07000	F-5-30	HP8A-90004-A00	E-9-10-22	HRGL-13310-A00	E-7-8
H921-90514-000	FOP-2-10	HCO-96211-07000	F-5-1-31	HP8A-90017-A01	E-13-10-8	HRGM-14781-A01	E-9-10-20
H921-90518-000	F-8-10-34	HCO-96211-12000	F-5-31	HP8A-90031-A01	E-13-23	HRJA-14721-E00	E-9-10-13
H921-90518-000	FOP-3-6-60	HCO-96211-12000	F-5-1-32	HP8A-90701-A00	E-9-17	HRJA-90017-003	E-13-21
H921-90602-000	E-18-2-28	HCO-96220-50080	E-5-25	HP8A-91301-A00	E-9-20	HRKG-91213-003	E-9-19
H921-90602-000	F-10-65	HCO-98078-5617C	E-20-2	HP8A-91308-A01	E-3-43	HRNA-30530-A01	E-3-18
HP52-32901-770	FOP-3-6-37	HCO-98200-41000	F-7-30-9	HP8A-91309-A01	E-3-45	HRNA-37830-A01	E-14-10-12
HP52-32901-770	FOP-4-13	HCO-98200-41500	F-7-30-10	HP8D-36165-J00	E-14-10-11	HRTA-15400-004	E-3-10-3
HP58-90428-000	F-2-29	HCO-98200-43000	F-7-30-11	HP8E-14761-A01	E-9-10-16	HS0A-91541-003	E-3-48
HCO-92101-05016-4J	FOP-3-6-68	HCO-99003-30000	F-13-8	HP8E-14762-A01	E-9-10-17	HS0A-91541-003	E-13-10-11
HCO-92101-06055-4J	F-3-34	HCO-99003-30000	F-13-13	HP8E-17105-A01	E-14-15	HS0A-91541-003	F-2-44
HCO-93500-05010-4J	FOP-3-6-69	HCO-99003-50000	F-13-3	HP8F-13211-A11	E-7-7	HS0A-91541-003	F-7-6
HCO-93500-05016-4J	E-3-49	HCO-99006-19000	F-13-12	HP8F-13212-A11	E-7-7	HS0A-91541-003	F-7-11-24
HCO-93500-05020-4J	E-3-50	HGCF-80106-670	F-8-20-3	HP8F-13213-A11	E-7-7	HS0A-91541-003	F-8-10-36
HCO-93500-05065-4J	FOP-3-34	HGHB-16163-600	E-18-2-2	HP8F-13214-A11	E-7-7	HSOX-46392-A01	F-2-21
HCO-93500-05065-4J	FOP-3-2-39	HGHB-16163-610	E-6-10-1	HP8F-13215-A11	E-7-7	HSOA-90683-003	E-18-2-32
HCO-93500-06018-4J	E-4-27	HHA0-90402-000	F-2-28	HP8F-14820-A01	E-9-10	HSOA-90683-003	E-20-11-10
HCO-93500-06025-4J	F-3-20-40	HHE0-50310-003	E-1-17	HPC6-15233-000	E-5-10	HSOA-90683-003	F-3-20-50
HCO-93600-06016-0A	E-5-20	HHW1-90207-671	E-6-10-37	HPC6-91324-000	E-5-19	HSBO-90602-003	F-11-35
HCO-93901-250J0	FOP-3-6-70	HHW1-90215-671	F-4-17	HPD1-31138-004	E-19-5	HSB2-90620-003	F-7-11-20
HCO-93901-251J0	FOP-3-6-71	HKE8-17251-690	F-8-1	HPD1-31142-004	E-19-7	HSB2-90650-003	E-14-26
HCO-93901-252J0	FOP-3-6-72	HKG4-90659-000	E-18-2-31	HPD1-31145-004	E-19-8	HSB6-91475-000	FOP-3-6-65
HCO-93903-254G0	E-15-25	HKM3-32161-003	F-10-6	HPD1-90231-014	E-19-26	HSC2-90649-003	FOP-4-25
HCO-93903-262J0	FOP-3-6-73	HKM3-32161-003	F-10-76	HPD6-90430-003	E-18-52	HSC2-90649-003	FOP-4-1-17
HCO-93905-255J0	FOP-3-6-74	HKN5-17224-600	F-2-1	HPEO-15231-000	E-5-8	HSD2-90705-931	F-2-34
HCO-93911-141J0	F-8-16	HKT7-91305-003	E-1-29	HPEA-13111-000	E-7-3	HSD4-91356-952	E-4-26
HCO-93913-141J0	F-8-17	HKY7-17450-740	E-18-10-10	HPF0-91302-003	F-2-39	HSD9-54316-013	E-1-19
HCO-94001-05490-0S	FOP-3-35	HMB1-90655-921	E-18-10-20	HPG6-15232-000	E-5-9	HSDA-39794-004	F-7-30-5
HCO-94001-05490-0S	FOP-3-2-40	HMG9-17201-000	E-14-10-7	HPG7-16741-005	E-14-7	HSE0-53740-953	E-1-18
HCO-94001-06080-0S	E-19-27	HMG9-35701-950	F-11-3	HPGK-37835-A01	E-14-10-13	HSF4-89216-000	F-13-6
HCO-94001-06490-0S	FOP-3-6-75	HMG9-35701-950	FOP-3-6-40	HPH1-90015-013	E-3-10-6	HSJ6-78419-003	E-14-18
HCO-94001-12490-0S	F-10-72	HMJ0-91301-003	E-14-27	HPH3-90011-000	E-5-14	HSK7-91566-003	E-1-33
HCO-94002-05490-0S	FOP-3-6-76	HMJ0-91301-003	E-18-54	HPH7-90715-000	E-3-39	HSL0-91592-A51	E-18-10-21
HCO-94002-06490-0S	F-8-18	HMJ0-91308-003	F-3-32	HPJ7-12204-305	E-9-2	HSTK-91540-003	FOP-12-3
HCO-94103-05400	FOP-4-26	HMJ0-91308-003	F-4-28	HPJ7-12205-305	E-9-3	HVM0-16965-771	E-18-10-9
HCO-94103-05400	FOP-4-1-18	HML0-90101-720	F-8-10-28	HPK1-91308-003	E-3-44	HZA0-90684-601	F-8-10-35
HCO-94111-05400	FOP-4-27	HMM4-90105-000	FOP-3-6-50	HPLC-91301-000	E-14-28	HZB7-90691-003	E-1-28
HCO-94111-05400	FOP-4-1-19	HMM8-90502-610	F-8-10-32	HPM3-14744-000	E-9-10-14	HZB7-90691-003	E-18-53

HZC0-63515-700F-8-10-24	HZV5-38410-003FOP-4-1-13	HZW1-56860-701F-11-28	HZW5-24817-U01FOP-3-2-11
HZE2-90601-000E-6-13	HZV5-40102-000E-15-16	HZW1-90013-000E-15-17	HZW5-24818-U01FOP-3-11
HZV0-41122-000E-13-18	HZV5-40107-000F-3-20-7	HZW1-90013-000F-7-11-13	HZW5-24818-U01FOP-3-2-12
HZV0-90604-000E-1-27	HZV5-41171-000F-10-10	HZW1-90014-000E-18-46	HZW5-24819-U01FOP-3-12
HZV0-90604-000E-18-2-29	HZV5-41172-000F-10-11	HZW1-90102-000F-10-36	HZW5-24819-U01FOP-3-2-13
HZV1-24210-010F-10-4	HZV5-50214-003F-11-12	HZW1-90106-004E-21-21	HZW5-24825-U01FOP-3-14
HZV1-87538-C23F-12-14	HZV5-56117-821F-11-19	HZW1-90107-004E-21-22	HZW5-24825-U01FOP-3-2-15
HZV4-12155-A00E-3-4	HZV5-56118-820F-11-20	HZW1-90108-000F-10-41	HZW5-24826-U01FOP-3-15
HZV4-17704-010F-8-20-5	HZV5-56513-000F-11-25	HZW1-90113-702F-11-29	HZW5-24826-U01FOP-3-2-16
HZV4-24221-010F-10-5	HZV5-82873-003F-3-20-30	HZW1-90114-702F-11-30	HZW5-24826-U01FOP-3-4-10
HZV4-36182-651FOP-3-6-42	HZV5-90009-000E-6-8	HZW1-90115-702F-11-31	HZW5-24831-U01FOP-3-16
HZV4-36182-651FOP-3-7-38	HZV5-90009-000F-8-10-26	HZW1-90116-702F-11-32	HZW5-24831-U01FOP-3-2-17
HZV4-36182-651FOP-4-16	HZV5-90012-013E-13-20	HZW1-90203-000F-7-11-17	HZW5-24831-U01FOP-3-4-12
HZV4-36182-651FOP-4-19	HZV5-90081-010E-3-37	HZW1-90242-000F-4-18	HZW5-24832-U01FOP-3-17
HZV4-36187-652FOP-3-6-43	HZV5-90081-010E-5-15	HZW1-90301-800F-5-14	HZW5-24832-U01FOP-3-2-18
HZV4-36187-652FOP-4-17	HZV5-90110-000F-3-20-33	HZW1-90301-800F-5-1-14	HZW5-24832-U01FOP-3-4-13
HZV4-36187-652FOP-4-1-10	HZV5-90119-000F-10-44	HZW1-90304-013F-10-50	HZW5-24834-U01FOP-3-18
HZV4-90127-000E-6-10	HZV5-90119-000F-10-77	HZW1-90308-003F-3-22	HZW5-24834-U21FOP-3-2-19
HZV4-90127-000F-2-26	HZV5-90119-000F-11-33	HZW1-90401-000E-6-12	HZW5-32168-003E-18-56
HZV4-90302-000F-3-20	HZV5-90125-000FOP-3-6-52	HZW1-90518-800F-4-21	HZW5-35370-U02FOP-3-20
HZV4-90304-000FOP-3-6-54	HZV5-90127-003F-10-45	HZW1-90519-800F-4-21	HZW5-35370-U02FOP-3-2-22
HZV4-90502-000FOP-3-31	HZV5-90127-003F-11-34	HZW1-90520-800F-4-21	HZW5-35370-U12FOP-3-2-23
HZV4-90502-000FOP-3-2-36	HZV5-90131-000E-6-11	HZW1-90521-800F-4-21	HZW5-35665-003E-15-14
HZV4-90502-000FOP-3-6-57	HZV5-90302-003F-2-27	HZW1-90652-702F-11-36	HZW5-90002-013E-5-13
HZV4-90506-000F-2-30	HZV5-90304-013F-10-49	HZW1-90758-800F-3-26	HZW5-90011-010E-19-22
HZV4-90512-000F-2-33	HZV5-90307-003F-10-52	HZW1-90758-800F-5-21	HZW5-90018-000E-20-11-9
HZV4-90512-000F-10-60	HZV5-90501-000F-10-53	HZW1-90758-800F-5-1-21	HZW5-90018-000F-7-30-7
HZV4-90514-000F-10-61	HZV5-90502-000F-10-55	HZW1-91054-B31F-4-25	HZW5-90021-U00FOP-7-2
HZV4-90603-000E-6-10-40	HZV5-90504-000F-10-56	HZW1-91207-013F-11-38	HZW5-90023-000F-2-24
HZV4-90605-000E-6-10-41	HZV5-90552-000F-10-63	HZW1-91352-702F-11-41	HZW5-90101-U00FOP-3-22
HZV4-90605-000E-18-2-30	HZV5-90557-000FOP-3-6-61	HZW1-91353-703F-11-42	HZW5-90101-U00FOP-3-2-25
HZV4-90605-000F-3-20-48	HZV5-90559-000E-6-10-38	HZW1-91354-701F-11-43	HZW5-90101-U00FOP-3-4-20
HZV5-12155-000E-4-1	HZV5-90559-000F-3-23	HZW1-91355-701F-11-44	HZW5-90102-U00FOP-3-23
HZV5-12214-000E-3-8	HZV5-90559-000F-3-20-46	HZW1-91357-701F-11-45	HZW5-90102-U00FOP-3-2-26
HZV5-24811-010FOP-3-6-2	HZV5-90559-000F-5-20	HZW1-91358-701F-11-46	HZW5-90103-U01FOP-3-24
HZV5-24812-000FOP-3-6-3	HZV5-90559-000F-5-1-20	HZW1-91361-701F-11-47	HZW5-90103-U01FOP-3-2-27
HZV5-24813-000FOP-3-6-4	HZV5-90559-000F-10-64	HZW1-91554-000E-18-55	HZW5-90104-U00FOP-3-25
HZV5-24814-010FOP-3-6-5	HZV5-90563-000E-6-10-39	HZW1-91554-000F-8-10-37	HZW5-90104-U00FOP-3-2-28
HZV5-24815-010FOP-3-6-6	HZV5-90563-000F-3-20-47	HZW1-91557-701F-11-48	HZW5-90105-U01FOP-3-26
HZV5-24816-000FOP-3-6-7	HZV5-90651-000F-10-66	HZW2-90033-000E-20-11-7	HZW5-90105-U01FOP-3-2-29
HZV5-24817-000FOP-3-6-8	HZV5-90751-000FOP-3-6-62	HZW2-90003-000F-7-11-12	HZW5-90106-U00FOP-3-27
HZV5-24818-003FOP-3-6-9	HZV5-90756-000F-3-25	HZW4-90108-000FOP-3-6-51	HZW5-90106-U00FOP-3-2-30
HZV5-24820-010FOP-3-6-10	HZV5-90756-000F-3-20-51	HZW4-90126-000E-1-35	HZW5-90107-U00FOP-3-28
HZV5-24830-010FOP-3-6-11	HZV5-90756-000F-4-23	HZW4-90146-000E-4-19	HZW5-90107-U00FOP-3-2-31
HZV5-24836-000FOP-3-6-12	HZV5-90772-000FOP-3-6-63	HZW4-90147-000E-3-10-14	HZW5-90108-U00FOP-3-2-32
HZV5-24841-000FOP-3-6-13	HZV5-91151-000FOP-3-6-64	HZW4-90155-000E-4-20	HZW5-90109-000FOP-3-23
HZV5-24845-000FOP-3-6-14	HZV5-91203-821F-11-37	HZW4-90156-000E-3-38	HZW5-90109-000FOP-4-1-15
HZV5-24850-000FOP-3-6-15	HZV5-91256-003F-10-69	HZW4-90156-000E-14-10-18	HZW5-90203-010E-19-25
HZV5-24854-000FOP-3-6-16	HZV5-91302-821F-11-39	HZW4-90306-003F-10-51	HZW5-90301-U00FOP-3-29
HZV5-24855-000FOP-3-6-17	HZV5-91316-821F-11-40	HZW4-90401-000FOP-3-6-55	HZW5-90301-U00FOP-3-2-33
HZV5-24860-000FOP-3-6-18	HZV5-91352-000F-10-70	HZW4-90402-000FOP-3-6-56	HZW5-90302-003F-10-48
HZV5-24865-000FOP-3-6-19	HZV5-91553-010E-15-24	HZW4-91301-003F-3-30	HZW5-90302-U21FOP-3-2-34
HZV5-24875-000FOP-3-6-20	HZV5-91553-010E-20-5	HZW4-91301-003F-3-31	HZW5-90501-U00FOP-3-30
HZV5-24876-000FOP-3-6-21	HZV5-91553-010E-20-11-11	HZW5-06241-U00FOP-3-2	HZW5-90501-U00FOP-3-2-35
HZV5-24878-000FOP-3-6-22	HZV5-91553-010F-7-11-25	HZW5-06241-U10FOP-3-2-2	HZW5-90501-U00FOP-3-4-26
HZV5-24881-000FOP-3-6-23	HZV5-91563-000F-3-20-54	HZW5-06352-U01FOP-4-3	HZW5-90502-U00FOP-3-32
HZV5-24883-000FOP-3-6-24	HZV5-91567-000FOP-3-6-66	HZW5-06900-U00FOP-7-1	HZW5-90502-U00FOP-3-2-37
HZV5-24884-000FOP-3-6-25	HZV5-91570-000FOP-3-6-67	HZW5-16081-010E-18-20	HZW5-90503-U00FOP-3-33
HZV5-24885-000FOP-3-6-26	HZV7-90508-000F-2-31	HZW5-16086-000E-18-23	HZW5-90503-U00FOP-3-2-38
HZV5-24887-000FOP-3-6-27	HZV7-90951-010F-10-68	HZW5-16087-000E-18-24	HZW5-90509-711F-5-16
HZV5-24891-000FOP-3-6-28	HZW1-06411-020F-10-1	HZW5-16715-023E-18-29	HZW5-90509-711F-5-1-16
HZV5-24892-000FOP-3-6-29	HZW1-15631-000E-3-10-5	HZW5-16733-000E-18-34	HZW5-90511-U00FOP-7-3
HZV5-24894-000FOP-3-6-30	HZW1-19286-800F-3-2	HZW5-16915-000E-18-10-8	HZW5-90512-U00FOP-7-4
HZV5-24895-000FOP-3-6-31	HZW1-24210-010F-2-5	HZW5-19291-000E-6-10-9	HZW5-90548-710F-5-1-19
HZV5-24897-000FOP-3-6-32	HZW1-24327-000F-2-7	HZW5-19292-000E-6-10-11	HZW5-90549-710F-5-1-19
HZV5-24898-000FOP-3-6-33	HZW1-24343-802F-4-12	HZW5-19297-000E-6-10-15	HZW5-90550-710F-5-1-19
HZV5-32823-003FOP-3-6-35	HZW1-24629-000F-2-17	HZW5-24810-U01FOP-3-3	HZW5-90551-710F-5-1-19
HZV5-32823-003FOP-3-7-31	HZW1-31226-004E-21-7	HZW5-24810-U01FOP-3-2-3	HZW5-90601-030E-18-10-18
HZV5-32823-003FOP-4-11	HZW1-31229-004E-21-8	HZW5-24810-U11FOP-3-2-4	HZW5-91201-003E-5-17
HZV5-32823-003FOP-4-1-5	HZW1-31231-004E-21-9	HZW5-24811-U01FOP-3-4	HZW5-91202-003E-6-10-44
HZV5-32824-003FOP-3-6-36	HZW1-36104-003F-11-4	HZW5-24811-U01FOP-3-2-5	HZW5-91251-003F-2-37
HZV5-32824-003FOP-3-7-32	HZW1-38551-000F-7-11-10	HZW5-24812-U01FOP-3-5	HZW7-24810-U01FOP-3-4-2
HZV5-32824-003FOP-4-12	HZW1-40107-700F-11-10	HZW5-24812-U01FOP-3-2-6	HZW7-24811-U01FOP-3-4-3
HZV5-32824-003FOP-4-1-6	HZW1-40209-000F-3-20-11	HZW5-24813-U01FOP-3-6	HZW7-24812-U01FOP-3-4-4
HZV5-35370-823FOP-3-6-39	HZW1-41102-800F-3-5	HZW5-24813-U01FOP-3-2-7	HZW7-24813-U01FOP-3-4-5
HZV5-36136-821F-11-9	HZW1-41109-800F-3-10	HZW5-24813-U21FOP-3-2-8	HZW7-24814-U01FOP-3-4-6
HZV5-36180-033FOP-3-6-41	HZW1-56110-701F-11-15	HZW5-24814-U01FOP-3-7	HZW7-24815-U01FOP-3-4-7
HZV5-36180-033FOP-3-7-37	HZW1-56113-701F-11-16	HZW5-24814-U01FOP-3-2-9	HZW7-24817-U01FOP-3-4-9
HZV5-36180-033FOP-4-15	HZW1-56116-701F-11-18	HZW5-24815-U01FOP-3-8	HZW7-24832-U01FOP-3-4-14
HZV5-36180-033FOP-4-1-8	HZW1-56130-702F-11-22	HZW5-24816-U01FOP-3-9	HZW7-24833-U01FOP-3-4-15
HZV5-38410-003FOP-3-6-46	HZW1-56180-701F-11-24	HZW5-24816-U01FOP-3-2-10	HZW7-32530-U00FOP-3-19
HZV5-38410-003FOP-3-7-41	HZW1-56539-000F-10-33	HZW5-24816-U01FOP-3-4-8	HZW7-32530-U00FOP-3-2-20
HZV5-38410-003FOP-4-21	HZW1-56851-703F-11-27	HZW5-24817-U01FOP-3-10	HZW7-32530-U10FOP-3-2-21

HZW7-32530-U20 FOP-3-4-16
 HZW7-35370-U02 FOP-3-4-17
 HZW7-87703-U00 FOP-3-4-19
 HZW7-90101-U01 FOP-3-4-21
 HZW7-90102-U01 FOP-3-4-22
 HZW7-90103-U01 FOP-3-4-23
 HZW7-90104-U01 FOP-3-4-24
 HZW7-90301-U01 FOP-3-4-25
 HZW7-90502-U00 FOP-3-4-27
 HZW9-19279-000 E-6-10-8
 HZW9-19291-000 E-6-10-10
 HZW9-19297-000 E-6-10-16
 HZW9-19303-003 E-4-28
 HZW9-32114-730 E-1-15
 HZW9-32114-730 E-3-19
 HZW9-35490-003 E-3-22
 HZW9-87702-800 FOP-3-6-48
 HZW9-90005-000 F-10-34
 HZW9-90008-000 FOP-3-6-49
 HZW9-90009-000 F-10-35
 HZW9-90011-000 E-1-20
 HZW9-90011-000 E-13-19
 HZW9-90011-000 F-2-22
 HZW9-90013-000 F-7-3
 HZW9-90013-000 F-7-11-14
 HZW9-90014-000 E-18-2-26
 HZW9-90014-000 E-20-11-8
 HZW9-90014-000 F-7-11-15
 HZW9-90016-000 E-14-19
 HZW9-90016-000 E-18-47
 HZW9-90019-000 E-1-21
 HZW9-90019-000 E-3-32
 HZW9-90019-000 E-4-16
 HZW9-90019-000 E-14-20
 HZW9-90101-003 F-3-11
 HZW9-90102-000 F-2-25
 HZW9-90102-000 F-8-10-29
 HZW9-90103-010 F-10-37
 HZW9-90105-000 F-8-10
 HZW9-90105-000 F-8-10-30
 HZW9-90105-000 F-10-40
 HZW9-90506-000 F-8-10-33
 HZX1-90133-R00 F-8-12
 HZX2-15655-000 E-3-53
 HZX2-16020-003 E-18-4
 HZX2-16024-003 E-18-2-1
 HZX2-16030-003 E-18-7
 HZX2-16700-003 E-1-9
 HZX2-16701-003 E-18-27
 HZX2-16730-003 E-18-33
 HZX2-16736-003 E-18-2-3
 HZX2-16800-003 E-18-2-6
 HZX2-16805-003 E-18-2-7
 HZX2-16814-000 E-18-2-9
 HZX2-16850-C00 F-8-20-4
 HZX2-16860-C00 E-18-2-10
 HZX2-16870-C00 E-1-34
 HZX2-16880-C00 E-18-2-11
 HZX2-16890-C00 E-18-2-12
 HZX2-16900-003 E-18-2-13
 HZX2-16912-003 E-18-2-17
 HZX2-16914-000 E-18-2-18
 HZX2-16940-003 E-18-2-25
 HZX2-30280-003 F-11-1
 HZX2-30416-000 E-20-11-1
 HZX2-30520-003 E-20-1
 HZX2-31106-003 F-11-2
 HZX2-32100-010 F-7-1
 HZX2-32166-003 E-18-41
 HZX2-32410-000 F-7-11-3
 HZX2-32414-300 F-7-11-5
 HZX2-32415-000 F-7-11-7
 HZX2-32435-000 F-7-11-8
 HZX2-35470-013 F-2-43
 HZX2-36120-013 F-11-5
 HZX2-36122-003 F-11-6
 HZX2-36129-003 F-11-8
 HZX2-38228-003 F-7-30-3
 HZX2-38550-003 F-7-11-9
 HZX2-38552-000 F-7-11-11
 HZX2-41102-E00ZC F-3-6
 HZX2-41107-C00ZC F-3-9
 HZX2-56000-023 F-11-13
 HZX2-63119-C00 F-8-8
 HZX2-63260-C00 F-8-10-23
 HZX2-63719-C00 F-3-20-23
 HZX2-87117-C00 F-12-16
 HZX2-90002-000 E-19-21
 HZX2-90101-C00 F-2-42
 HZX2-90102-C00 F-3-20-57
 HZX2-90105-C00 F-4-16
 HZX2-90107-C00 F-3-35
 HZX2-90129-000 F-10-46
 HZX2-90502-003 F-8-10-39
 HZX2-90683-003 E-18-2-33
 HZX2-90683-003 F-7-11-22
 HZY1-90205-000 F-3-19
 HZY1-90205-000 F-10-47
 HZY1-90650-003 FOP-12-2
 HZY2-14111-A00 E-9-10-1
 HZY2-14211-A00 E-9-10-2
 HZY2-15810-000ZA E-3-16
 HZY2-15825-000 E-3-17
 HZY2-32100-H01 F-7-1
 HZY2-34750-E03 E-20-11-4
 HZY2-63100-R00ZA F-8-3
 HZY2-63100-R00ZA F-8-3
 HZY2-63100-R00ZA F-8-3
 HZY2-63100-R01ZA F-8-3
 HZY2-63100-R01ZA F-8-3
 HZY2-63100-R01ZA F-8-3
 HZY2-87121-R00 F-12-3
 HZY2-87132-R00 F-12-6
 HZY2-87133-R00 F-12-18
 HZY3-06125-C00 F-3-1
 HZY3-06131-000 E-7-16
 HZY3-06131-000 E-7-16
 HZY3-06192-000 FOP-2-1
 HZY3-06193-010 FOP-2-2
 HZY3-06412-000 F-10-2
 HZY3-06532-U00 F-10-3
 HZY3-11100-415 E-3-10-1
 HZY3-11200-010ZA E-3-1
 HZY3-11300-C00 E-3-2
 HZY3-11311-010ZA E-6-1
 HZY3-11381-010 E-6-2
 HZY3-11820-000 E-13-10-2
 HZY3-11840-010 E-13-10-3
 HZY3-11861-000 E-13-10-4
 HZY3-11871-000 E-13-10-5
 HZY3-11911-010 E-3-10-2
 HZY3-11911-010 E-9-1
 HZY3-12000-436ZA E-3-3
 HZY3-12155-000 E-3-5
 HZY3-12164-000 E-3-6
 HZY3-12171-305 E-3-7
 HZY3-12210-010ZA E-9-5
 HZY3-12231-000 E-9-7
 HZY3-12241-000 E-9-8
 HZY3-12251-A01 E-9-9
 HZY3-12310-405ZA E-1-1
 HZY3-12312-000 E-1-2
 HZY3-12320-405ZA E-1-3
 HZY3-13010-A00 E-7-1
 HZY3-13011-A00 E-7-1
 HZY3-13101-A00 E-7-2
 HZY3-13102-A00 E-7-2
 HZY3-13331-A04 E-7-10
 HZY3-13331-A04 E-7-10
 HZY3-13391-000 E-7-13
 HZY3-13391-000 E-7-13
 HZY3-13392-000 E-7-14
 HZY3-13392-000 E-7-14
 HZY3-13398-003 E-7-15
 HZY3-13398-003 E-7-15
 HZY3-13621-C01 E-13-1
 HZY3-13622-C00 E-13-2
 HZY3-13811-A00 E-13-3
 HZY3-14111-A00 E-9-10-1
 HZY3-14211-A00 E-9-10-2
 HZY3-14261-C00 E-13-4
 HZY3-14270-C00 E-13-5
 HZY3-14436-000 E-9-10-3
 HZY3-14510-003 E-13-7
 HZY3-14515-000 E-13-8
 HZY3-14520-000 E-13-9
 HZY3-14526-405ZA E-13-10
 HZY3-14529-000 E-13-11
 HZY3-14550-003 E-13-12
 HZY3-14553-003 E-13-14
 HZY3-14555-003 E-13-15
 HZY3-14820-405 E-9-10
 HZY3-15100-000ZA E-5-1
 HZY3-15112-013 E-5-2
 HZY3-15113-000 E-5-3
 HZY3-15121-000 E-5-4
 HZY3-15131-405 E-5-5
 HZY3-15132-405 E-5-6
 HZY3-15220-020 E-5-7
 HZY3-15425-010 E-1-5
 HZY3-15656-000 E-3-14
 HZY3-15657-000 E-3-15
 HZY3-15810-003ZA E-3-16
 HZY3-15825-003 E-3-17
 HZY3-16011-A01 E-18-1
 HZY3-16013-000 E-18-2
 HZY3-16015-000 E-18-3
 HZY3-16016-003 E-15-1
 HZY3-16024-000 E-18-5
 HZY3-16026-000 E-18-6
 HZY3-16031-010 E-18-8
 HZY3-16036-003 E-18-9
 HZY3-16041-000 E-18-10
 HZY3-16042-000 E-18-11
 HZY3-16061-000 E-18-12
 HZY3-16072-000 E-18-13
 HZY3-16073-000 E-18-14
 HZY3-16074-000 E-18-15
 HZY3-16075-000 E-18-16
 HZY3-16076-000 E-18-17
 HZY3-16077-000 E-18-18
 HZY3-16078-000 E-18-19
 HZY3-16082-000 E-18-21
 HZY3-16083-000 E-18-22
 HZY3-16087-000 E-18-25
 HZY3-16088-000 E-18-26
 HZY3-16176-000 E-15-2
 HZY3-16193-A00 E-18-10-1
 HZY3-16196-A00 E-18-10-2
 HZY3-16197-000 E-18-10-3
 HZY3-16198-A00 E-18-10-4
 HZY3-16199-A00 E-18-10-5
 HZY3-16203-000 E-1-7
 HZY3-16400-A01 E-15-3
 HZY3-16404-000 E-15-4
 HZY3-16405-000 E-15-5
 HZY3-16451-000 E-14-2
 HZY3-16611-A00 E-14-3
 HZY3-16620-A00 E-14-5
 HZY3-16708-000 E-18-28
 HZY3-16721-000 E-18-31
 HZY3-16733-000 E-18-35
 HZY3-16734-000 E-18-36
 HZY3-16735-004 E-18-37
 HZY3-16740-A01 E-14-6
 HZY3-16751-000 E-18-10-6
 HZY3-16752-000 E-18-38
 HZY3-16752-A00 E-14-8
 HZY3-16753-000 E-18-2-4
 HZY3-16754-000 E-18-2-5
 HZY3-16755-003 E-14-9
 HZY3-16757-003 E-14-10
 HZY3-16807-003 E-18-2-8
 HZY3-16895-C00 E-1-12
 HZY3-16904-003 E-18-2-15
 HZY3-16911-010 E-18-39
 HZY3-16913-000 E-18-40
 HZY3-16915-010 E-18-2-19
 HZY3-16918-003 E-18-2-21
 HZY3-16919-003 E-18-2-23
 HZY3-17051-A00 E-14-11
 HZY3-17061-A00 E-14-13
 HZY3-17105-004 E-14-10-1
 HZY3-17108-000 E-14-16
 HZY3-17109-004 E-14-10-2
 HZY3-17110-003 E-14-10-3
 HZY3-17113-003 E-14-10-4
 HZY3-17130-003ZA E-14-10-5
 HZY3-17138-004 E-14-10-6
 HZY3-17203-000 E-15-6
 HZY3-17207-300 E-15-7
 HZY3-17372-000 E-15-10
 HZY3-17373-010 E-15-11
 HZY3-17374-010 E-15-12
 HZY3-17721-000 E-18-10-11
 HZY3-17723-A01 E-18-10-12
 HZY3-17724-010 E-18-10-13
 HZY3-17738-000 F-8-20-2
 HZY3-17877-000 F-2-2
 HZY3-17910-013 E-15-13
 HZY3-17931-000 F-2-3
 HZY3-18110-010ZA E-4-2
 HZY3-18115-003 E-4-3
 HZY3-18120-C01ZA E-4-4
 HZY3-18125-003 E-4-5
 HZY3-18141-A00ZA E-6-10-2
 HZY3-18148-003 E-6-10-3
 HZY3-18149-A01 E-6-10-4
 HZY3-18151-A00ZA E-6-10-5
 HZY3-18330-020 E-6-3
 HZY3-18333-003 E-6-4
 HZY3-18340-020 E-6-5
 HZY3-19210-003 F-4-1
 HZY3-19210-003 FOP-2-3
 HZY3-19221-010 F-4-2
 HZY3-19221-010 FOP-2-4
 HZY3-19223-000 F-4-3
 HZY3-19223-000 FOP-2-5
 HZY3-19231-000 F-4-4
 HZY3-19231-000 FOP-2-6
 HZY3-19234-000 F-4-5
 HZY3-19234-000 FOP-2-7
 HZY3-19241-000 F-4-6
 HZY3-19241-000 F-4-6
 HZY3-19241-000 F-4-6
 HZY3-19241-000 F-4-6
 HZY3-19241-010 F-4-6
 HZY3-19241-010 F-4-6
 HZY3-19251-000 F-4-7
 HZY3-19251-611 F-4-7
 HZY3-19252-000 E-6-6
 HZY3-19253-000 F-4-8
 HZY3-19253-000 FOP-2-8
 HZY3-19254-000 E-6-7
 HZY3-19255-000 E-4-6
 HZY3-19256-010 E-4-7
 HZY3-19257-000 E-4-8
 HZY3-19258-010 E-18-10-14
 HZY3-19259-000 E-18-10-15
 HZY3-19261-000 E-4-9
 HZY3-19270-000 F-3-20-1
 HZY3-19271-000 F-3-20-2
 HZY3-19272-000 F-3-20-3
 HZY3-19277-000ZA E-6-10-6
 HZY3-19278-000 E-6-10-7
 HZY3-19289-000 F-3-20-4
 HZY3-19294-000ZB E-6-10-12
 HZY3-19295-000 E-6-10-13
 HZY3-19296-000 E-6-10-14
 HZY3-19297-000 E-6-10-17
 HZY3-19298-000ZB E-6-10-18
 HZY3-19300-023 E-4-10
 HZY3-19315-020ZA E-4-11
 HZY3-19319-A00ZA E-4-12
 HZY3-19361-000 E-6-10-19
 HZY3-19362-000 E-6-10-20
 HZY3-19366-000 E-6-10-21
 HZY3-23170-030ZA E-6-10-22
 HZY3-23172-003 E-6-10-23
 HZY3-23173-010 E-6-10-24
 HZY3-24101-A01 F-5-1
 HZY3-24101-A01 F-5-1-1
 HZY3-24102-000 F-5-2
 HZY3-24102-000 F-5-1-2
 HZY3-24103-000 F-5-3
 HZY3-24103-000 F-5-1-3
 HZY3-24113-A01 F-5-4
 HZY3-24113-A01 F-5-1-4
 HZY3-24122-A01 F-5-5
 HZY3-24122-A01 F-5-1-5

HZY3-24123-000.	F-5-6	HZY3-40219-013.	F-10-9	HZY3-60185-C01	F-8-10-13	HZY3-90041-000.	E-3-10-10
HZY3-24123-000.	F-5-1-6	HZY3-40219-013.	F-11-11	HZY3-63102-010.	F-8-4	HZY3-90042-000.	E-14-22
HZY3-24124-310.	F-5-7	HZY3-40225-010.	F-3-20-14	HZY3-63107-000.	F-8-5	HZY3-90043-000.	E-14-23
HZY3-24124-310.	F-5-1-7	HZY3-40225-010.	F-3-20-14	HZY3-63108-000.	F-8-6	HZY3-90044-000.	E-14-24
HZY3-24221-000.	F-2-6	HZY3-40226-010.	F-3-20-15	HZY3-63111-310ZD.	F-8-7	HZY3-90045-000.	E-6-10-32
HZY3-24310-C00	F-4-9	HZY3-40226-010.	F-3-20-15	HZY3-63143-H00	F-8-9	HZY3-90046-000.	E-6-10-33
HZY3-24310-E00.	F-4-9	HZY3-41100-C03ZC.	F-3-10-1	HZY3-63201-000ZC.	F-8-10-14	HZY3-90047-000.	E-6-10-34
HZY3-24318-000.	F-4-10	HZY3-41100-C13ZC.	F-3-10-1	HZY3-63205-000.	F-8-10-15	HZY3-90049-000.	E-6-10-35
HZY3-24610-A00	F-2-8	HZY3-41100-E03ZC.	F-3-10-1	HZY3-63208-000.	F-8-10-16	HZY3-90050-000.	E-18-50
HZY3-24612-010.	F-2-9	HZY3-41101-C00ZC.	F-3-4	HZY3-63212-000.	F-8-10-17	HZY3-90053-010.	E-6-9
HZY3-24613-000.	F-2-10	HZY3-41101-C00ZC.	F-3-4	HZY3-63223-000.	F-8-10-18	HZY3-90054-000.	E-18-57
HZY3-24617-000.	F-2-11	HZY3-41101-C00ZC.	F-3-4	HZY3-63224-000.	F-8-10-19	HZY3-90055-000.	E-19-24
HZY3-24618-000.	F-2-12	HZY3-41101-C00ZC.	F-3-4	HZY3-63225-000.	F-8-10-20	HZY3-90056-000.	E-18-2-27
HZY3-24619-000.	F-2-13	HZY3-41101-C00ZC.	F-3-4	HZY3-63226-000.	F-8-10-21	HZY3-90058-000.	E-14-10-17
HZY3-24620-000.	F-2-14	HZY3-41101-C01ZC.	F-3-4	HZY3-63230-C00	F-8-10-22	HZY3-90059-000.	E-6-10-36
HZY3-24623-000.	F-2-15	HZY3-41101-C01ZC.	F-3-4	HZY3-63347-C00	F-3-20-19	HZY3-90063-000.	E-3-10-11
HZY3-24628-000.	F-2-16	HZY3-41101-C01ZC.	F-3-4	HZY3-633710-C00ZC.	F-3-20-20	HZY3-90082-003.	E-3-10-12
HZY3-31110-000ZA.	E-5-11	HZY3-41104-C01	F-3-7	HZY3-63710-C00ZC.	F-3-20-20	HZY3-90102-A00	F-3-20-31
HZY3-31116-000.	E-5-12	HZY3-41105-C01	F-3-8	HZY3-63710-C01ZC.	F-3-20-20	HZY3-90104-010.	F-10-39
HZY3-31200-003.	E-21-1	HZY3-41112-010.	F-4-14	HZY3-63710-C01ZC.	F-3-20-20	HZY3-90105-010.	F-3-20-32
HZY3-31207-003.	E-21-3	HZY3-41112-611.	F-4-14	HZY3-63715-C01ZC.	F-3-20-21	HZY3-90106-A00	F-8-10-31
HZY3-31216-003.	E-21-5	HZY3-41116-000.	F-4-15	HZY3-63715-C01ZC.	F-3-20-21	HZY3-90107-000.	F-7-11-16
HZY3-31235-003.	E-21-10	HZY3-41130-C00	F-5-8	HZY3-63715-C02ZC.	F-3-20-21	HZY3-90109-010.	F-8-11
HZY3-31236-003.	E-21-11	HZY3-41130-E00.	F-5-1-8	HZY3-63715-C02ZC.	F-3-20-21	HZY3-90111-000.	F-3-20-34
HZY3-31240-003.	E-21-12	HZY3-41150-E00.	F-5-1-9	HZY3-63718-000.	F-3-20-22	HZY3-90113-C00	F-3-20-36
HZY3-31242-003.	E-21-13	HZY3-41151-C00	F-5-9	HZY3-63722-010ZC.	F-3-20-24	HZY3-90116-000.	FOP-2-9
HZY3-31246-003.	E-21-15	HZY3-41161-A00	F-5-10	HZY3-63728-000.	F-3-20-25	HZY3-90117-000.	F-10-43
HZY3-31247-003.	E-21-16	HZY3-41161-B00.	F-5-1-10	HZY3-63729-003.	F-8-10-25	HZY3-90120-000.	F-3-14
HZY3-31249-003.	E-21-17	HZY3-41179-A00	F-10-12	HZY3-63731-A03ZC.	F-3-20-26	HZY3-90122-000.	F-3-20-37
HZY3-31250-003.	E-21-18	HZY3-41201-C00ZC.	F-5-11	HZY3-63731-A12ZC.	F-3-20-26	HZY3-90123-000.	F-5-13
HZY3-31630-003.	E-19-14	HZY3-41201-C00ZC.	F-5-1-11	HZY3-63736-A03ZC.	F-3-20-27	HZY3-90123-000.	F-5-1-13
HZY3-31630-013.	E-19-14	HZY3-41202-000.	F-5-12	HZY3-63736-A12ZC.	F-3-20-27	HZY3-90124-000.	F-3-15
HZY3-31631-003.	E-19-15	HZY3-41202-700.	F-5-1-12	HZY3-63751-C00	F-3-20-28	HZY3-90129-A00	F-3-20-38
HZY3-31637-000.	E-19-16	HZY3-50100-A01	F-10-13	HZY3-63751-C00	F-3-20-28	HZY3-90132-000.	F-3-20-39
HZY3-31638-003.	E-13-16	HZY3-50100-A11	F-10-13	HZY3-63751-C01	F-3-20-59	HZY3-90134-000.	F-3-20-40
HZY3-31639-003.	E-19-17	HZY3-50109-000.	F-10-14	HZY3-63751-C01	F-3-20-59	HZY3-90204-000.	E-3-10-15
HZY3-31694-003.	E-19-18	HZY3-50111-020.	F-3-20-16	HZY3-63756-C00	F-3-20-29	HZY3-90205-000.	E-14-25
HZY3-31710-003.	E-19-19	HZY3-50151-000.	F-10-15	HZY3-63756-C00	F-3-20-29	HZY3-90205-000.	E-14-10-19
HZY3-31750-003.	E-19-20	HZY3-50153-000.	F-10-16	HZY3-63756-C01	F-3-20-60	HZY3-90302-000.	F-3-20-42
HZY3-32111-010.	E-13-17	HZY3-50155-000.	F-3-20-17	HZY3-63756-C01	F-3-20-60	HZY3-90303-000.	F-4-19
HZY3-32112-000.	E-14-17	HZY3-50157-010.	F-3-20-18	HZY3-87121-R00.	F-12-4	HZY3-90304-000.	F-7-11-18
HZY3-32116-000.	E-3-20	HZY3-50161-000ZD.	F-10-17	HZY3-90001-000.	E-3-26	HZY3-90405-000.	F-7-11-19
HZY3-32128-000.	E-14-10-8	HZY3-50161-610.	F-10-17	HZY3-90002-000.	E-21-19	HZY3-90406-000.	E-1-23
HZY3-32129-000.	E-1-16	HZY3-50166-000.	F-10-18	HZY3-90003-000.	E-21-20	HZY3-90501-A00	F-10-54
HZY3-32193-C00	E-3-21	HZY3-50168-000.	F-10-19	HZY3-90006-003.	E-3-27	HZY3-90503-610.	F-3-20-43
HZY3-32370-H01	F-7-30-1	HZY3-50201-C01ZD.	F-10-20	HZY3-90007-000.	E-13-10-7	HZY3-90504-A00	F-10-57
HZY3-32371-H01	F-7-30-2	HZY3-50201-C11ZC.	F-10-20	HZY3-90008-003.	E-3-28	HZY3-90506-000.	F-5-15
HZY3-32411-003.	F-7-11-4	HZY3-50209-A00	F-10-21	HZY3-90009-003.	E-3-29	HZY3-90506-000.	F-5-1-15
HZY3-32419-A00	F-8-10-1	HZY3-50211-000.	F-10-22	HZY3-90010-000.	E-6-10-26	HZY3-90507-000.	F-8-14
HZY3-32421-000.	F-8-10-2	HZY3-50214-000.	F-10-23	HZY3-90011-000.	E-6-10-27	HZY3-90508-000.	E-15-22
HZY3-34750-E03.	E-20-11-4	HZY3-50301-030ZC.	F-10-24	HZY3-90013-000.	E-6-10-28	HZY3-90508-000.	F-2-32
HZY3-34754-C00	E-20-11-5	HZY3-50311-020ZC.	F-10-25	HZY3-90015-000.	E-6-10-29	HZY3-90509-000.	F-10-58
HZY3-35476-010.	F-2-19	HZY3-50381-000.	F-10-26	HZY3-90017-000.	E-3-31	HZY3-90510-000.	F-10-59
HZY3-35477-000.	F-2-20	HZY3-50388-U00	FOP-9-1	HZY3-90017-000.	E-18-48	HZY3-90511-000.	F-3-20-44
HZY3-35490-004.	E-3-23	HZY3-50388-U10	FOP-9-2	HZY3-90017-000.	E-19-23	HZY3-90512-000.	F-5-17
HZY3-35640-013.	F-3-20-5	HZY3-50522-000.	F-10-27	HZY3-90017-000.	F-2-23	HZY3-90512-000.	F-5-1-17
HZY3-35645-000.	F-3-20-6	HZY3-50527-000.	F-10-28	HZY3-90018-000.	E-13-10-9	HZY3-90528-000.	F-5-18
HZY3-35655-C01	E-4-13	HZY3-50529-000.	F-10-29	HZY3-90021-000.	E-3-33	HZY3-90528-000.	F-5-1-18
HZY3-35660-003.	F-10-7	HZY3-56100-013.	F-11-14	HZY3-90021-000.	E-14-21	HZY3-90529-000.	F-5-18
HZY3-35673-003.	E-3-24	HZY3-56120-013.	F-11-51	HZY3-90021-000.	E-18-49	HZY3-90529-000.	F-5-1-18
HZY3-35673-003.	E-4-14	HZY3-56170-013.	F-11-23	HZY3-90021-000.	F-8-10-27	HZY3-90530-000.	F-5-18
HZY3-35695-003.	E-13-10-6	HZY3-56516-A00	F-10-30	HZY3-90023-000.	E-14-10-14	HZY3-90530-000.	F-5-1-18
HZY3-35700-003.	E-3-25	HZY3-56518-A00	F-10-31	HZY3-90026-000.	E-3-10-7	HZY3-90531-000.	F-5-18
HZY3-36123-013.	F-11-7	HZY3-56519-A00	F-10-32	HZY3-90026-000.	E-9-14	HZY3-90531-000.	F-5-1-18
HZY3-36163-003.	E-14-10-10	HZY3-56532-000.	F-11-26	HZY3-90027-000.	E-4-17	HZY3-90548-000.	F-5-19
HZY3-36362-000.	E-18-43	HZY3-58130-T00.	FOP-10-1	HZY3-90028-000.	E-3-34	HZY3-90549-000.	F-5-19
HZY3-36550-003.	E-15-15	HZY3-58130-T10.	FOP-10-1	HZY3-90029-000.	E-14-10-15	HZY3-90550-000.	F-5-19
HZY3-36620-000.	E-18-44	HZY3-58130-T20.	FOP-10-1	HZY3-90030-000.	E-3-35	HZY3-90551-000.	F-5-19
HZY3-40105-C01	F-8-10-3	HZY3-58130-T30.	FOP-10-1	HZY3-90030-000.	E-3-10-8	HZY3-90552-000.	F-5-19
HZY3-40114-010.	F-3-20-8	HZY3-58130-T40.	FOP-10-1	HZY3-90030-000.	E-6-10-30	HZY3-90553-000.	F-5-19
HZY3-40119-003.	F-8-10-4	HZY3-58130-T50.	FOP-10-1	HZY3-90030-000.	E-13-22	HZY3-90554-000.	F-5-19
HZY3-40151-000ZC.	F-3-20-9	HZY3-58130-V01ZA.	FOP-10-1	HZY3-90030-000.	E-15-19	HZY3-90555-000.	F-5-19
HZY3-40154-000ZA.	F-8-10-5	HZY3-58130-V11ZA.	FOP-10-1	HZY3-90031-000.	E-3-10-9	HZY3-90556-000.	F-5-19
HZY3-40155-000.	F-8-10-6	HZY3-58130-V21ZA.	FOP-10-1	HZY3-90031-000.	E-6-10-31	HZY3-90557-000.	F-5-19
HZY3-40157-000.	F-8-10-7	HZY3-58130-V31ZA.	FOP-10-1	HZY3-90031-000.	E-14-10-16	HZY3-90558-000.	F-5-19
HZY3-40158-000.	F-8-10-8	HZY3-58130-V41ZA.	FOP-10-1	HZY3-90034-000.	E-4-18	HZY3-90559-000.	F-5-19
HZY3-40159-000.	F-8-10-9	HZY3-58130-V51ZA.	FOP-10-1	HZY3-90034-000.	E-15-20	HZY3-90560-000.	F-5-19
HZY3-40201-020ZC.	F-3-20-10	HZY3-58180-T00.	FOP-10-1	HZY3-90035-000.	E-9-15	HZY3-90601-030.	E-4-21
HZY3-40201-612ZC.	F-3-20-10	HZY3-58180-T10.	FOP-10-1	HZY3-90036-000.	E-1-22	HZY3-90601-030.	E-18-10-19
HZY3-40204-000.	F-4-13	HZY3-58180-T20.	FOP-10-1	HZY3-90037-000.	E-15-21	HZY3-90602-020.	E-1-25
HZY3-40210-610.	F-3-20-12	HZY3-58180-T30.	FOP-10-1	HZY3-90038-000.	E-3-36	HZY3-90603-020.	E-4-22
HZY3-40212-010ZC.	F-3-20-13	HZY3-58180-T40.	FOP-10-1	HZY3-90039-000.	E-13-24	HZY3-90604-020.	E-4-23
HZY3-40212-611ZC.	F-3-20-13	HZY3-60180-C01	F-8-10-12	HZY3-90040-000.	E-13-25	HZY3-90652-000.	F-3-20-49

HZY3-90653-003. F-7-4
HZY3-90741-000. E-13-27
HZY3-90751-000. F-2-35
HZY3-90752-003. F-4-22
HZY3-90752-003. FOP-2-11
HZY3-91001-003. E-6-10-43
HZY3-91051-003. F-5-23
HZY3-91051-003. F-5-1-23
HZY3-91053-003. F-4-24
HZY3-91055-003. F-5-24
HZY3-91055-003. F-5-1-24
HZY3-91056-711. F-5-1-25
HZY3-91057-003. F-5-25
HZY3-91057-003. F-5-1-26
HZY3-91151-000. F-5-26
HZY3-91151-000. F-5-1-27
HZY3-91152-003. F-2-36
HZY3-91212-003. E-3-40
HZY3-91251-C01 F-3-27
HZY3-91251-C01 F-4-26
HZY3-91254-003. F-3-29
HZY3-91254-003. F-4-27
HZY3-91255-003. F-2-38
HZY3-91301-003. E-4-24
HZY3-91303-000. E-21-23
HZY3-91304-000. E-6-10-46
HZY3-91305-003. E-6-10-47
HZY3-91306-003. E-6-10-48
HZY3-91351-C00 F-3-33
HZY3-91351-C00 F-5-28
HZY3-91351-C00 F-5-1-29
HZY3-91356-003. F-4-29
HZY3-91356-003. FOP-2-12
HZY3-91358-003. F-4-30
HZY3-91358-003. FOP-2-13
HZY3-91359-003. F-4-31
HZY3-91359-003. FOP-2-14
HZY3-91401-A00 E-1-30
HZY3-91402-020. E-1-31
HZY3-91403-000. E-1-32
HZY3-91404-000. E-6-10-49
HZY3-91405-000. E-6-10-50
HZY3-91451-000. F-3-20-52
HZY3-91508-000. E-13-10-10
HZY3-91551-000. F-4-32
HZY3-91551-000. FOP-2-15
HZY3-91552-000. F-3-20-53
HZY3-91556-000. F-8-15
HZY3-91560-000. F-10-71
HZY3-91651-003. F-3-20-55
HZY6-16450-003. E-14-1
HZY6-16718-013. E-18-30
HZY6-16723-003. E-18-32
HZY6-19269-000. E-18-10-16
HZY6-24320-000. F-4-11
HZY6-24320-610. F-4-11
HZY6-32414-640. F-7-11-6
HZY6-36135-003. E-18-10-17
HZY6-38235-004. F-7-30-4
HZY6-39794-003. F-7-30-6
HZY6-90103-000. F-3-13
HZY6-90103-000. F-10-38
HZY6-90135-004. F-7-30-8
HZY6-91553-000. F-3-20-53
HZY9-17315-000. E-15-9
HZY9-30419-003. E-20-4
HZY9-30419-003. E-20-11-2
HZY9-30419-003. F-7-11-1
HZY9-32103-000. F-7-11-2
HZY9-38553-003. E-20-11-6
HZY9-56115-003. F-11-50
HZY9-90017-000. E-15-18
HZY9-90105-000. E-20-3
HZZ0-90101-000. F-3-12
HZZ3-06240-R30 FOP-3-1
HZZ3-06240-R40 FOP-3-4-1
HZZ3-06240-R60 FOP-3-2-1
HZZ3-06323-R20 FOP-4-1
HZZ3-06323-R30 FOP-4-1-1
HZZ3-06328-763. FOP-12-1
HZZ3-24800-P12. FOP-3-7-1
HZZ3-24800-R00 FOP-3-6-1
HZZ3-24820-R11 FOP-3-13

HZZ3-24820-R21 FOP-3-2-14
HZZ3-24830-R41 FOP-3-4-11
HZZ3-32101-000. E-20-11-3
HZZ3-32127-000. F-7-2
HZZ3-32341-R31 FOP-4-6
HZZ3-32346-R21 FOP-4-7
HZZ3-32346-R31 FOP-4-1-3
HZZ3-32347-R01 FOP-4-8
HZZ3-35100-R11 FOP-3-6-38
HZZ3-35100-R11 FOP-3-7-33
HZZ3-35100-R11 FOP-4-14
HZZ3-35100-R11 FOP-4-1-7
HZZ3-35645-A41 FOP-3-7-35
HZZ3-37205-R01 FOP-4-18
HZZ3-87301-R00 F-12-19
HZZ3-87701-R00 FOP-3-6-47
HZZ3-87701-R40 FOP-3-4-18
HZZ3-87703-R01 FOP-3-2-24
HZZ3-87703-R81 FOP-3-21
HZZ3-91252-003. F-3-28
HZZ3-91252-003. F-5-27
HZZ3-91252-003. F-5-1-28
HZZ5-06325-600. FOP-4-2
HZZ5-06325-700. FOP-4-2
HZZ5-06325-800. FOP-4-2
HZZ5-16901-003. E-18-2-14
HZZ5-16906-003. E-18-2-16
HZZ5-16915-000. E-18-2-20
HZZ5-16918-003. E-18-2-22
HZZ5-16919-003. E-18-2-24
HZZ5-24810-D01 FOP-3-7-2
HZZ5-24811-D01 FOP-3-7-3
HZZ5-24812-D01 FOP-3-7-4
HZZ5-24813-D01 FOP-3-7-5
HZZ5-24814-D01 FOP-3-7-6
HZZ5-24815-D01 FOP-3-7-7
HZZ5-24816-D01 FOP-3-7-8
HZZ5-24817-D01 FOP-3-7-9
HZZ5-24818-D01 FOP-3-7-10
HZZ5-24819-D01 FOP-3-7-11
HZZ5-24821-D01 FOP-3-7-12
HZZ5-24822-D01 FOP-3-7-13
HZZ5-24823-D01 FOP-3-7-14
HZZ5-24824-D01 FOP-3-7-15
HZZ5-24826-D01 FOP-3-7-16
HZZ5-24827-D01 FOP-3-7-17
HZZ5-24828-D01 FOP-3-7-18
HZZ5-24828-D01 FOP-3-7-74
HZZ5-24829-D01 FOP-3-7-19
HZZ5-24831-D01 FOP-3-7-20
HZZ5-24832-D01 FOP-3-7-21
HZZ5-24833-D01 FOP-3-7-22
HZZ5-24845-D01 FOP-3-7-23
HZZ5-24850-D01 FOP-3-7-24
HZZ5-24855-D01 FOP-3-7-25
HZZ5-24875-D01 FOP-3-7-26
HZZ5-24876-D01 FOP-3-7-27
HZZ5-24878-D01 FOP-3-7-28
HZZ5-24883-D01 FOP-3-7-29
HZZ5-32185-600. FOP-4-5
HZZ5-32185-700. FOP-4-5
HZZ5-32185-800. FOP-4-5
HZZ5-32530-000. FOP-3-6-34
HZZ5-32530-D01 FOP-3-7-30
HZZ5-32545-000. FOP-4-9
HZZ5-32545-000. FOP-4-1-4
HZZ5-32580-600. FOP-4-10
HZZ5-32580-700. FOP-4-10
HZZ5-32580-800. FOP-4-10
HZZ5-32580-D01 FOP-4-10
HZZ5-32580-D11 FOP-4-10
HZZ5-32580-D21 FOP-4-10
HZZ5-35370-D02 FOP-3-7-34
HZZ5-35701-D01 FOP-3-7-36
HZZ5-37210-013. FOP-3-6-44
HZZ5-37210-712. FOP-4-1-11
HZZ5-37210-762. FOP-4-19
HZZ5-37210-D01 FOP-3-7-39
HZZ5-38414-003. FOP-4-22
HZZ5-38414-003. FOP-4-1-14
HZZ5-87701-D00 FOP-3-7-42
HZZ5-87702-A00 FOP-3-7-43
HZZ5-87702-A00 FOP-3-7-72

HZZ5-87703-P00. FOP-3-7-44
HZZ5-87704-D01 FOP-3-7-45
HZZ5-90101-D01 FOP-3-7-46
HZZ5-90102-D01 FOP-3-7-47
HZZ5-90103-D01 FOP-3-7-48
HZZ5-90104-D01 FOP-3-7-49
HZZ5-90106-D01 FOP-3-7-50
HZZ5-90107-D01 FOP-3-7-51
HZZ5-90108-D01 FOP-3-7-52
HZZ5-90109-D01 FOP-3-7-53
HZZ5-90301-D01 FOP-3-7-54
HZZ5-90302-D01 FOP-3-7-56
HZZ5-90501-D01 FOP-3-7-57
HZZ5-90502-D01 FOP-3-7-58
HZZ5-90503-D01 FOP-3-7-59
HZZ5-90504-D01 FOP-3-7-60
HZZ5-90506-D01 FOP-3-7-61
HZZ5-90507-D01 FOP-3-7-62
HZZ5-90508-D01 FOP-3-7-63
HZZ5-90509-D01 FOP-3-7-64
HZZ5-90651-D01 FOP-3-7-65
HZZ5-91151-D01 FOP-3-7-66
HZZ5-91152-D01 FOP-3-7-67
HZZ5-91153-D01 FOP-3-7-68
HZZ5-91154-D01 FOP-3-7-69
HZZ5-91156-D01 FOP-3-7-70
HZZ5-91157-D01 FOP-3-7-71
HZZ5-91501-000. F-7-11-23

Note

Note

Note

Note

2018 PARTS CATALOG

BFT 200A
BFT 225A
Models

OB No.002-14ZY2-OAH 1712 US

TOHATSU CORPORATION

5-4, Azusawa 3-Chome, Itabashi-Ku
Tokyo 174-0051, Japan
Tel: +81-3-3966-3117 Fax: +81-3-3966-2951
www.tohatsu.com

