

# 2018 PARTS CATALOG



**TOHATSU**

Feel the Wind™

## BFT 150A Model

OB NO.002-14ZY6-0AH 17 12 US



TOHATSU CORPORATION



# Instruction for use of parts catalogue

- **This parts catalogue was prepared based on the latest information available as of December 1, 2017.**
- See the Service Bulletin for any revision that is made after December 1, 2017.
- **Always specify the part number when ordering a part.**
  - Check the model, type, serial numbers, color, maker, and the size as needed before ordering a part.
  - Note that the illustrations (part drawings) can differ from the actual parts in shape.  
Illustrations are given just to help you to refer to the parts.
- **When modifications or additions to this parts catalogue are made, a revised edition will be issued at an appropriate time, with successively progressing revision numbers on the cover. We recommend obtaining such revisions in order to keep your parts catalogue up-to-date at all times.**

Initial version issue date December 1, 2017

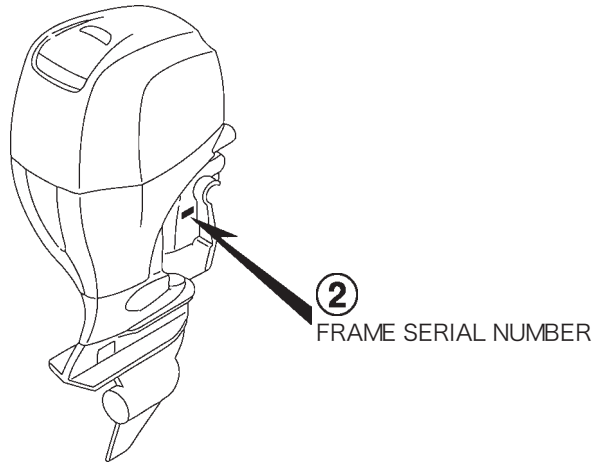
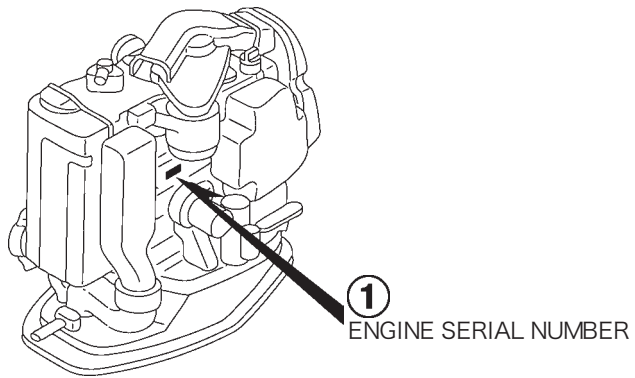
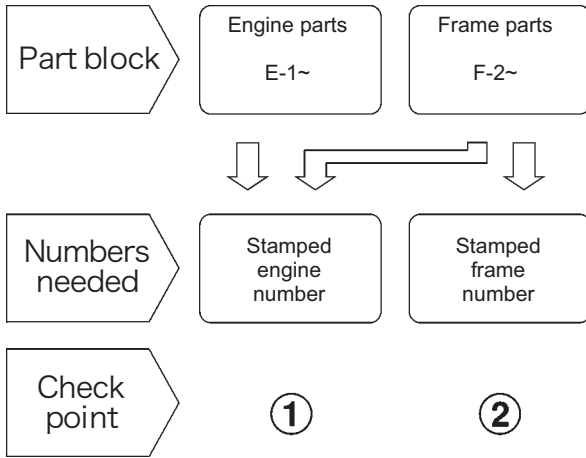
## CONTENTS

|                      |  |     |
|----------------------|--|-----|
| E-1                  | CYLINDER HEAD COVER                            | 1   |
| E-3                  | CYLINDER BLOCK                                 | 3   |
| E-4                  | EXHAUST MANIFOLD                               | 7   |
| E-4-10               | WATER HOSE                                     | 9   |
| E-5                  | OIL PUMP/FLYWHEEL                              | 11  |
| E-6                  | OIL PAN  | 13  |
| E-7                  | CRANKSHAFT/PISTON                              | 17  |
| E-9                  | CAMSHAFT/VALVE                                 | 21  |
| E-9-10               | CHAIN CASE/THERMOSTAT                          | 25  |
| E-9-20               | CYLINDER HEAD                                  | 29  |
| E-10                 | BALANCER SHAFT                                 | 33  |
| E-13                 | SILENCER DUCT                                  | 35  |
| E-14                 | INTAKE MANIFOLD/INJECTOR                       | 37  |
| E-15                 | THROTTLE BODY                                  | 41  |
| E-18                 | FUEL PUMP/FUEL HOSE                            | 43  |
| E-18-1               | WATER SEPARATOR                                | 47  |
| E-18-10              | VAPOR SEPARATOR ASSY                           | 49  |
| E-19                 | A.C. GENERATOR                                 | 53  |
| E-20                 | IGNITION COIL/PLUG                             | 57  |
| E-20-10              | ELECTRONIC CONTROL UNIT                        | 59  |
| E-21                 | STARTER MOTOR                                  | 61  |
| F-2                  | SHIFT SHAFT                                    | 65  |
| F-3                  | GEAR CASE                                      | 69  |
| F-3-10               | GEAR CASE ASSY                                 | 71  |
| F-3-20               | EXTENSION CASE                                 | 73  |
| F-4                  | WATER PUMP/VERTICAL SHAFT                      | 75  |
| F-5                  | PROPELLER SHAFT/PROPELLER                      | 79  |
| F-5-1                | PROPELLER SHAFT/PROPELLER (COUNTER ROTATION)   | 83  |
| F-6                  | FUEL TUBE (1)                                  | 87  |
| F-7                  | WIRE HARNESS                                   | 89  |
| F-7-10               | STARTER CABLE                                  | 91  |
| F-7-20               | FUSE BOX/RELAY                                 | 93  |
| F-7-30               | CLAMP  | 95  |
| F-8                  | ENGINE COVER ASSY                              | 97  |
| F-8-10               | FR. COVER BRACKET/FR. LOCK                     | 99  |
| F-8-20               | UNDER COVER                                    | 103 |
| F-9                  | FUEL TUBE (2)                                  | 105 |
| F-10                 | STERN BRACKET/SWIVEL CASE                      | 107 |
| F-11                 | POWER TRIM-TILT                                | 113 |
| F-12                 | LABELS   | 117 |
| F-13                 | TOOLS  | 119 |
| FOP-2                | METER  | 121 |
| FOP-6                | CONTROL PANEL (1)                              | 123 |
| FOP-6-1              | CONTROL PANEL (2)                              | 127 |
| FOP-7                | TRIM ADJUST PLATE SET                          | 129 |
| FOP-8                | REMOTE CONTROL (TOP MOUNT SINGLE TYPE) (RIGHT) | 131 |
| FOP-8-2              | REMOTE CONTROL (TOP MOUNT DUAL TYPE) (RIGHT)   | 135 |
| FOP-8-4              | REMOTE CONTROL (FLUSH MOUNT TYPE) (RIGHT)      | 139 |
| FOP-8-6              | REMOTE CONTROL (HI-LEX) (HANDLE CAP = GRAY)    | 141 |
| FOP-8-7              | REMOTE CONTROL (NHK MEC) (HANDLE CAP = CHROME) | 147 |
| FOP-9                | BOLT KIT                                       | 153 |
| FOP-10               | WATER PUMP IMPELLER KIT (1)                    | 155 |
| FOP-10-1             | WATER PUMP IMPELLER KIT (2)                    | 157 |
| FOP-11               | INTERFACE CABLE KIT                            | 159 |
| FOP-12               | TROLLING CONTROL SWITCH                        | 161 |
| INDEX                |  | 163 |
| INDEX (Parts Number) |  | 169 |





# How to check the part block and serial numbers



## Models, parts catalogue codes and applicable serial numbers

- Models, parts catalogue codes and applicable serial Nos. given in this parts catalogue can be identified as follows.

| Model   | Type | Parts catalogue type | Engine  |      | Applicable engine serial No. | Applicable frame serial No. |
|---------|------|----------------------|---------|------|------------------------------|-----------------------------|
|         |      |                      | Model   | Type |                              |                             |
| BFT150A | LA   | LA                   | BF150A4 | SE   | BEANJ-1000001~               | BANJ-6000261~               |
|         | XA   | XA                   |         |      |                              |                             |
|         | XCA  | XCA                  |         |      | BEANJ-1000001~               | BAPJ-7000013~               |

## Features of each type

- See the following table for the features of each type. (Items in brackets are optional)

| Specifications   |             | Model | BFT 150A4 |     |     |
|------------------|-------------|-------|-----------|-----|-----|
|                  |             | Type  | LA        | XA  | XCA |
| Transom height   | 508 mm      | ●     |           |     |     |
|                  | 635 mm      |       | ●         | ●   |     |
| Counter rotation |             |       |           | ●   |     |
| Remote control   |             | (●)   | (●)       | (●) |     |
| Fuel tank        |             | (●)   | (●)       | (●) |     |
| Power tilt       |             | ●     | ●         | ●   |     |
| Propeller        | 14-1/2 x 15 | (●)   | (●)       | (●) |     |
|                  | 14-1/4 x 17 | (●)   | (●)       | (●) |     |
|                  | 14 x 19     | (●)   | (●)       | (●) |     |
|                  | 14-3/4 x 19 | (●)   | (●)       |     |     |
|                  | 14 x 21     | (●)   | (●)       | (●) |     |
|                  | 14-1/2 x 21 | (●)   | (●)       |     |     |
|                  | 14-1/2 x 23 | (●)   | (●)       | (●) |     |
|                  | 14-1/4 x 23 | (●)   | (●)       |     |     |
|                  | 14 x 25     | (●)   | (●)       |     |     |
|                  | 15-1/2 x 13 | (●)   | (●)       |     |     |
|                  | 15-1/4 x 15 | (●)   | (●)       |     |     |
|                  | 15 x 17     | (●)   | (●)       |     |     |

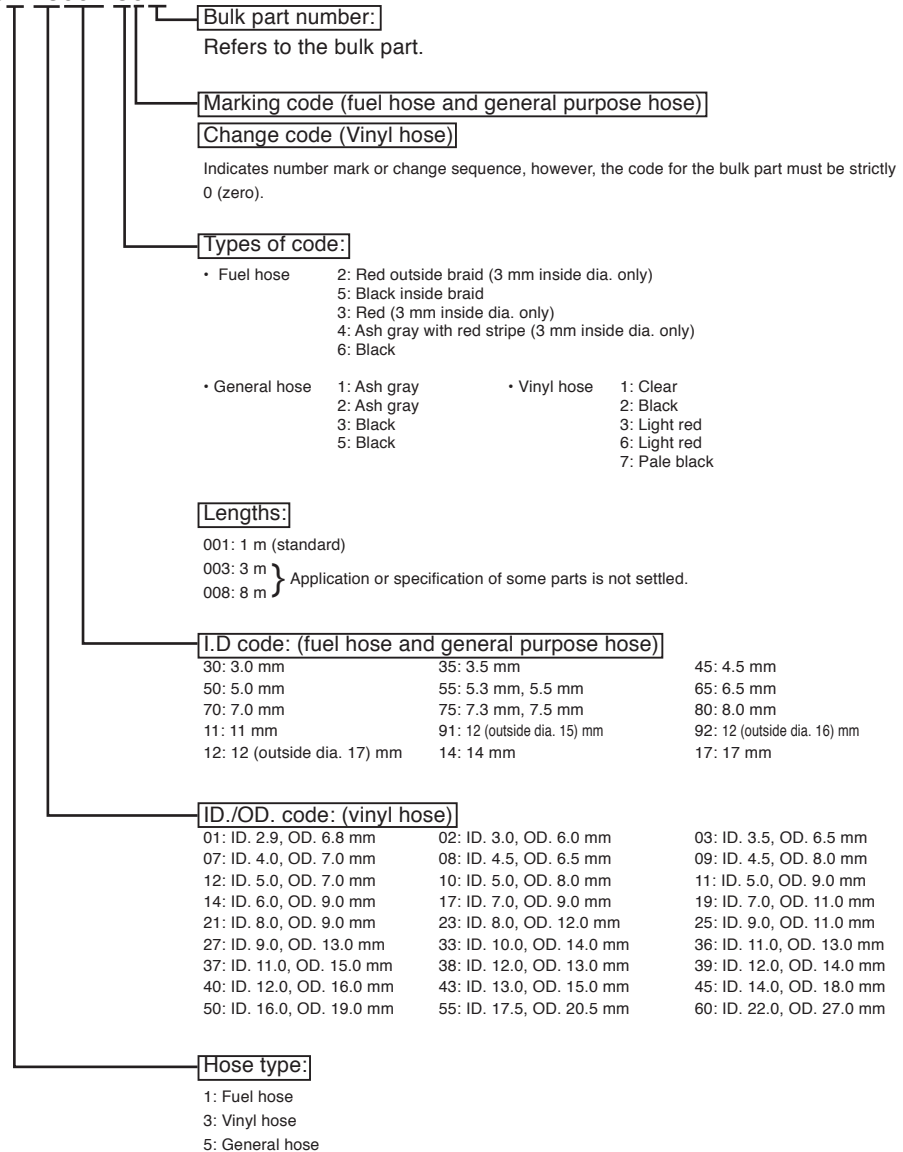


# Fuel hose, general purpose hoses and vinyl hose

- The standard part fuel hose, general purpose hose and vinyl hose may be substituted by the coiled bulk part.
- When ordering the standard part fuel hose, general purpose hose and vinyl hose use the bulk part number written in the parts catalog in brackets ( ) underneath the part name.
- When exchanging the hose, cut and use at the specified length as mentioned in the part name. (For the method of cutting the bulk part, and method of filling out orders etc., please refer to the instructions issued with the bulk part.)

## Bulk part number of fuel hose, general purpose hose and vinyl hose.

Example: 95001-75001-50M

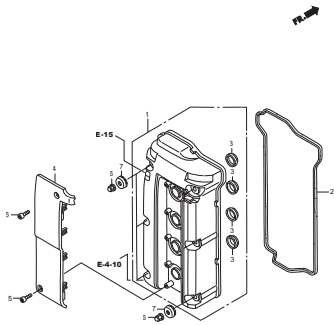


### CAUTION: It is DANGEROUS to confuse the fuel hose with the general purpose hose or vinyl hose.

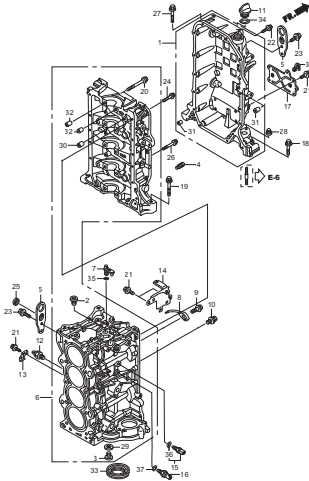
Never use a general purpose hose or vinyl hose in place of a fuel hose or vice versa.

Always use the correct bulk part in the parts catalogue, according to the service manual or the instructions issued with the bulk part.

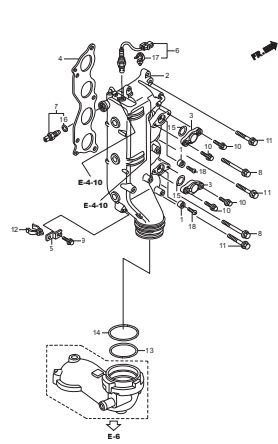
E-1 CYLINDER HEAD COVER



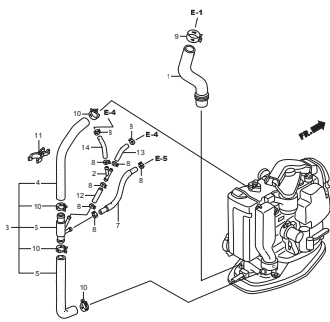
E-3 CYLINDER BLOCK



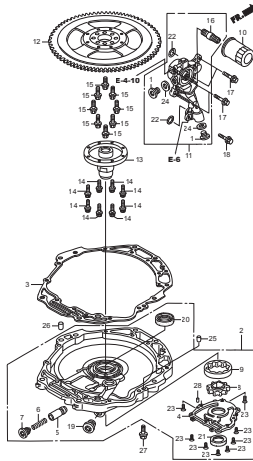
E-4 EXHAUST MANIFOLD



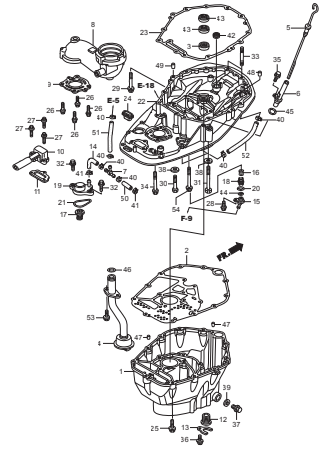
E-4-10 WATER HOSE



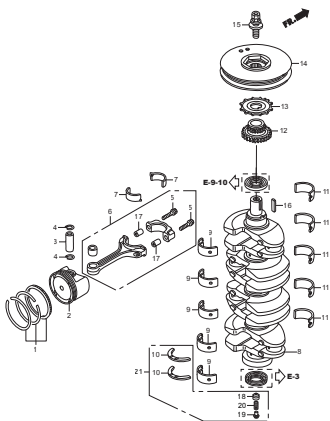
E-5 OIL PUMP/FLYWHEEL



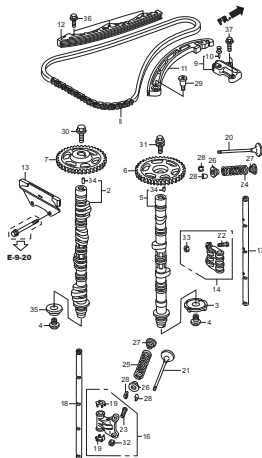
E-6 OIL PAN



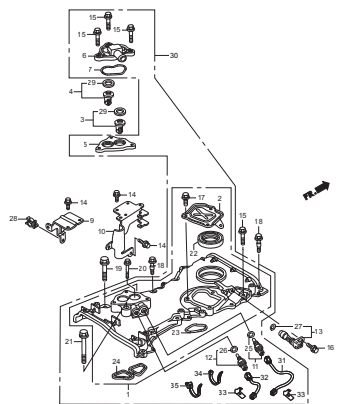
E-7 CRANKSHAFT/PISTON



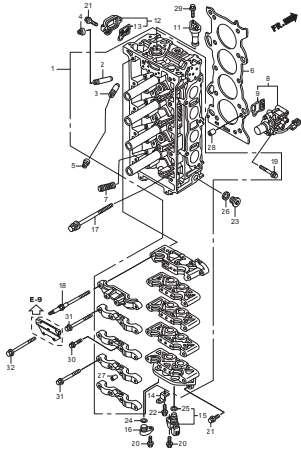
E-9 CAMSHAFT/VALVE



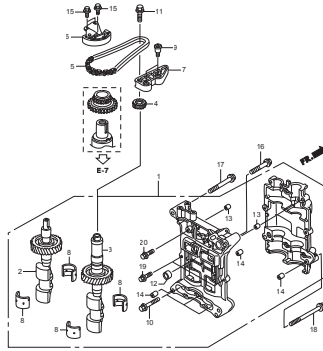
E-9-10 CHAIN CASE/THERMOSTAT



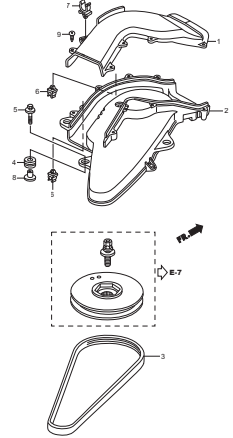
E-9-20 CYLINDER HEAD



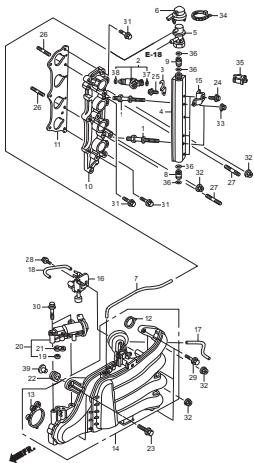
E-10 BALANCER SHAFT



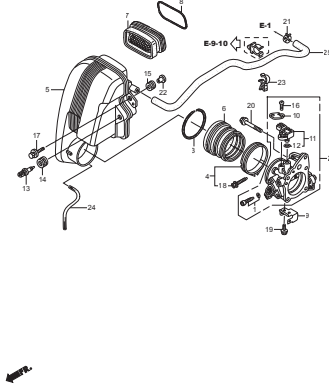
E-13 SILENCER DUCT



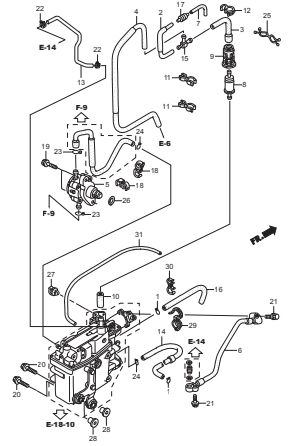
E-14 INTAKE MANIFOLD/INJECTOR



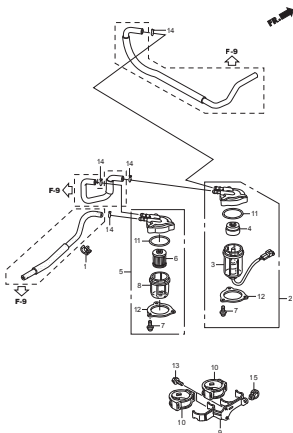
E-15 THROTTLE BODY



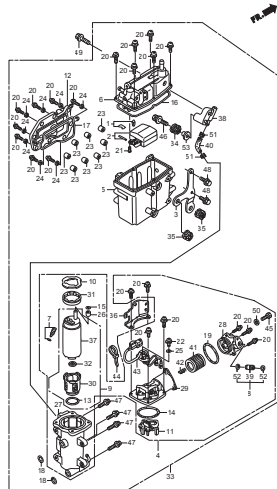
E-18 FUEL PUMP/FUEL HOSE



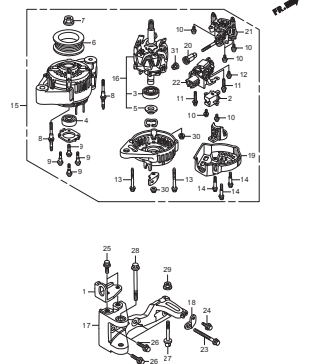
E-18-1 WATER SEPARATOR



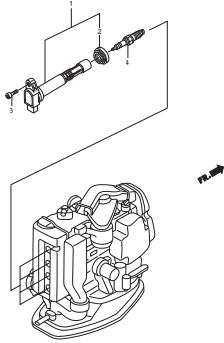
E-18-10 VAPOR SEPARATOR ASSY



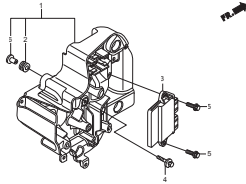
E-19 A.C. GENERATOR



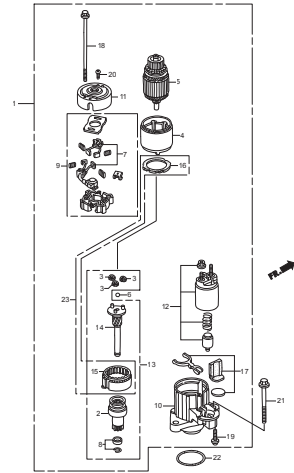
E-20 IGNITION COIL/PLUG



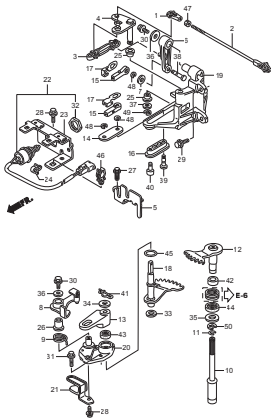
E-20-10 ELECTRONIC CONTROL UNIT



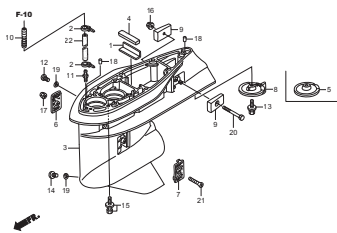
E-21 STARTER MOTOR



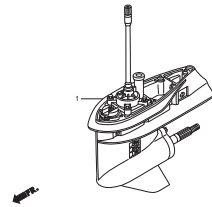
F-2 SHIFT SHAFT



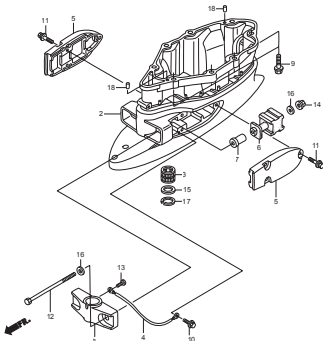
F-3 GEAR CASE



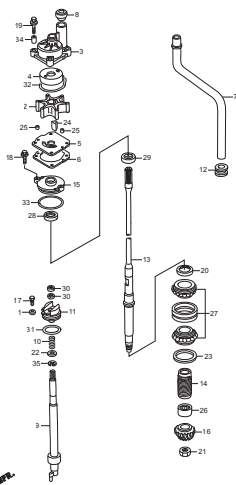
F-3-10 GEAR CASE ASSY



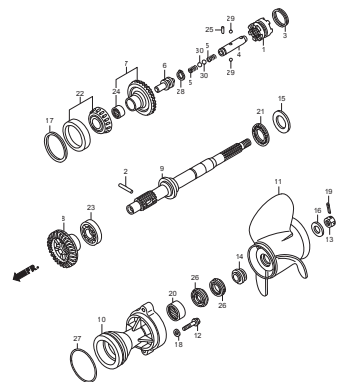
F-3-20 EXTENSION CASE



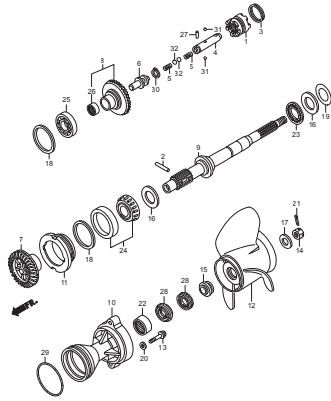
F-4 WATER PUMP/VERTICAL SHAFT



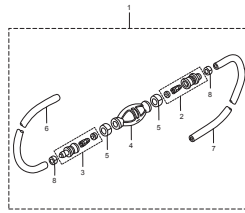
F-5 PROPELLER SHAFT/PROPELLER



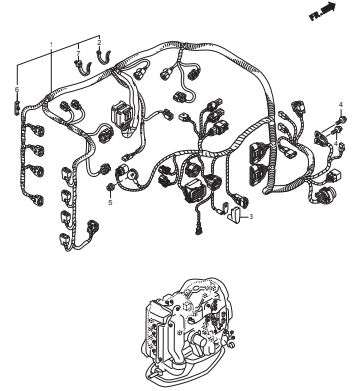
F-5-1 PROPELLER SHAFT/PROPELLER  
(COUNTER ROTATION)



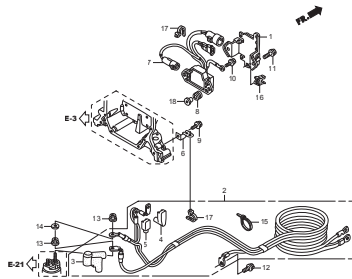
F-6 FUEL TUBE (1)



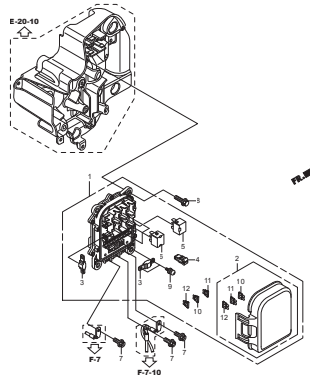
F-7 WIRE HARNESS



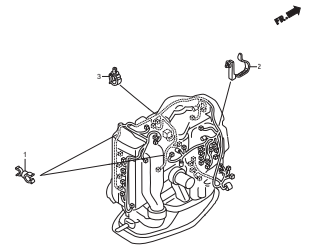
F-7-10 STARTER CABLE



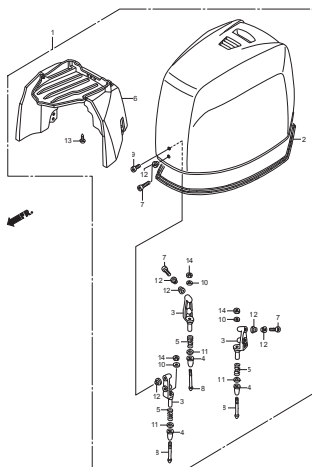
F-7-20 FUSE BOX/RELAY



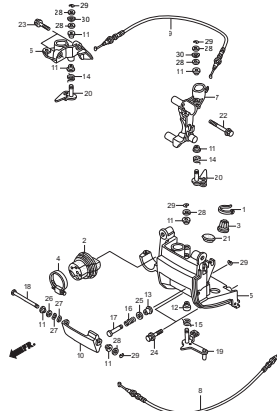
F-7-30 CLAMP



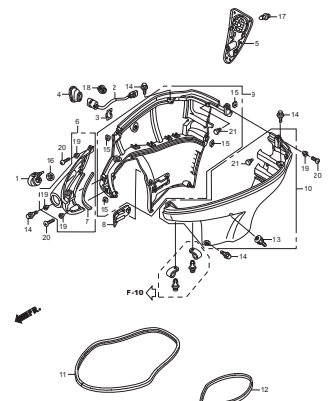
F-8 ENGINE COVER ASSY



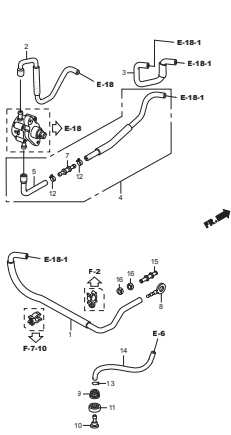
F-8-10 FR. COVER BRACKET/FR. LOCK



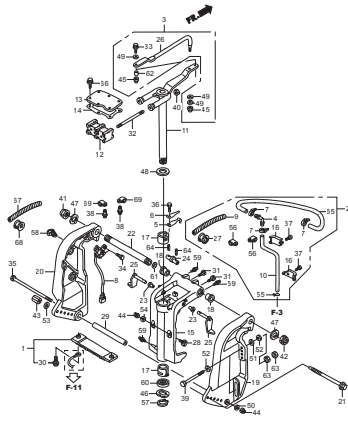
F-8-20 UNDER COVER



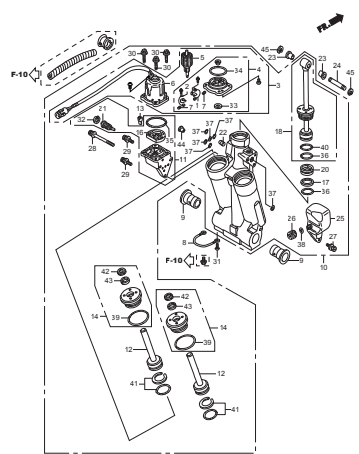
F-9 FUEL TUBE (2)



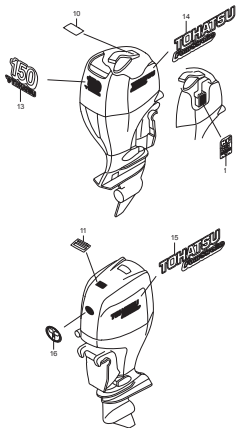
F-10 STERN BRACKET/SWIVEL CASE



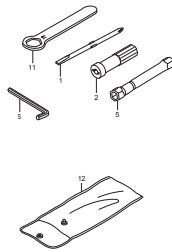
F-11 POWER TRIM-TILT



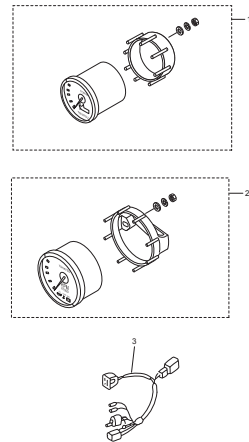
F-12 LABELS



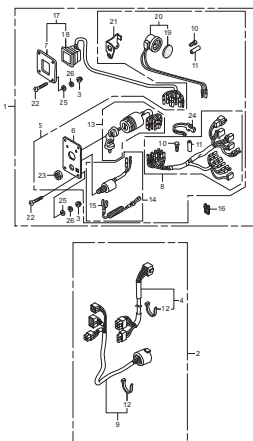
F-13 TOOLS



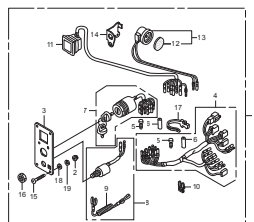
FOP-2 METER



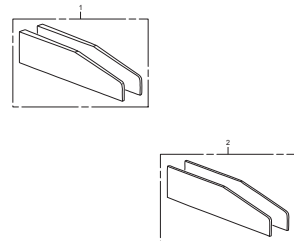
FOP-6 CONTROL PANEL (1)



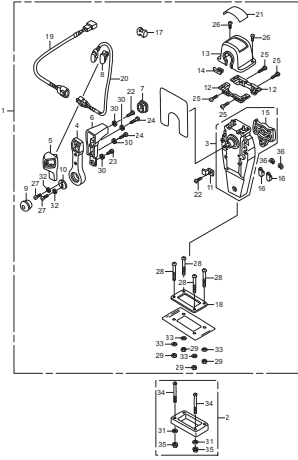
FOP-6-1 CONTROL PANEL (2)



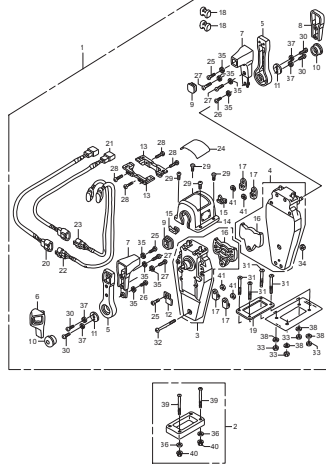
FOP-7 TRIM ADJUST PLATE SET



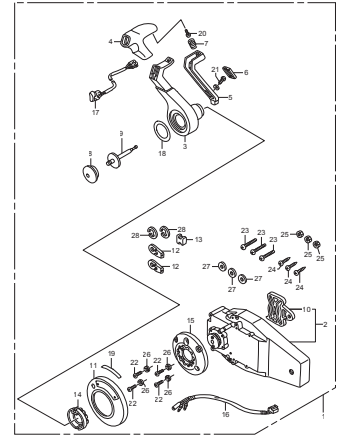
**FOP-8 REMOTE CONTROL  
(TOP MOUNT SINGLE TYPE) (RIGHT)**



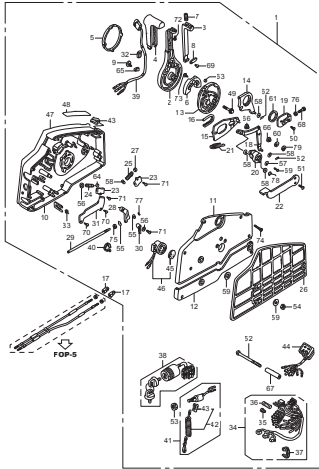
**FOP-8-2 REMOTE CONTROL  
(TOP MOUNT DUAL TYPE) (RIGHT)**



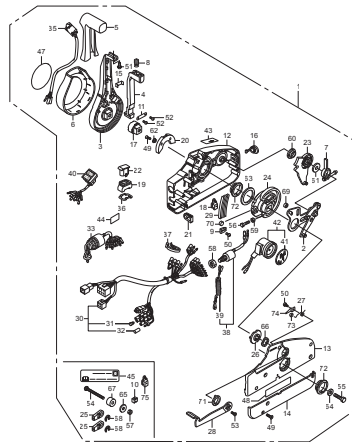
**FOP-8-4 REMOTE CONTROL  
(FLUSH MOUNT TYPE) (RIGHT)**



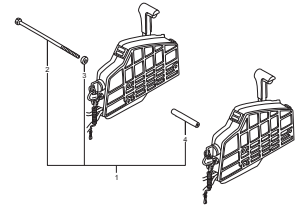
**FOP-8-6 REMOTE CONTROL  
(HI-LEX) (HANDLE CAP = GRAY)**



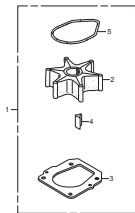
**FOP-8-7 REMOTE CONTROL  
(NHK MEC) (HANDLE CAP = CHROME)**



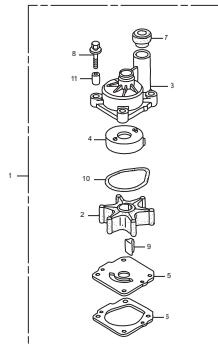
**FOP-9 BOLT KIT**



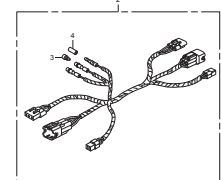
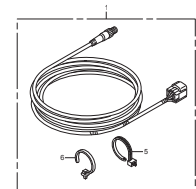
**FOP-10 WATER PUMP IMPELLER KIT (1)**



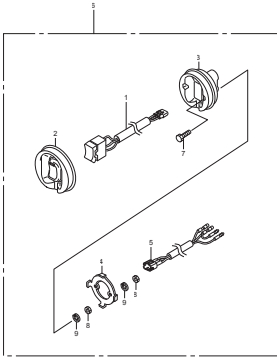
**FOP-10-1 WATER PUMP IMPELLER KIT (2)**



**FOP-11 INTERFACE CABLE KIT**

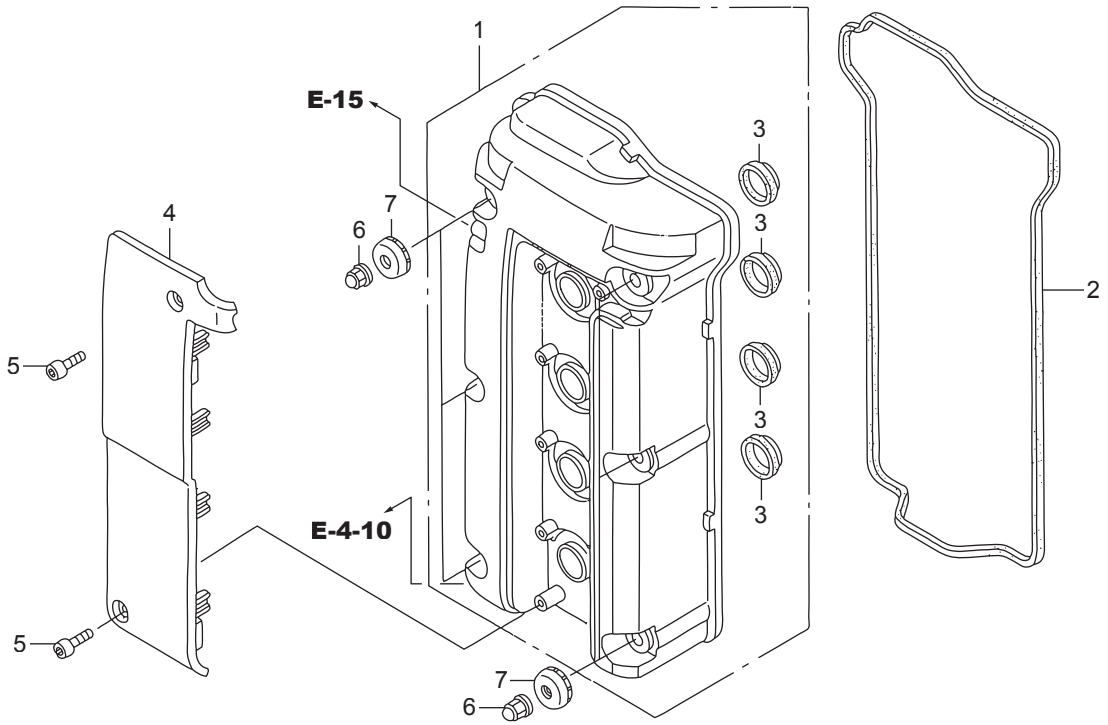


FOP-12 TROLLING CONTROL SWITCH

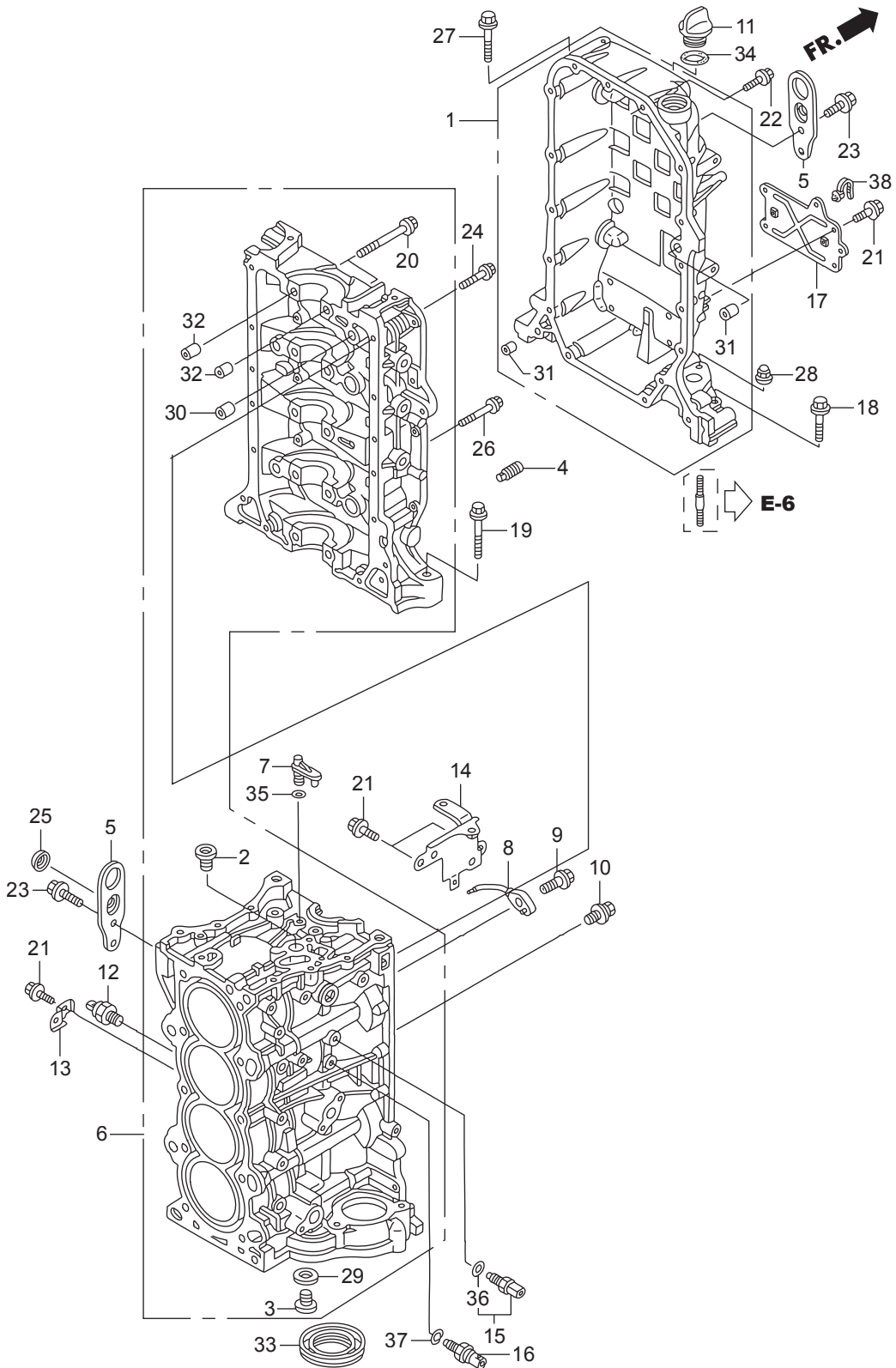




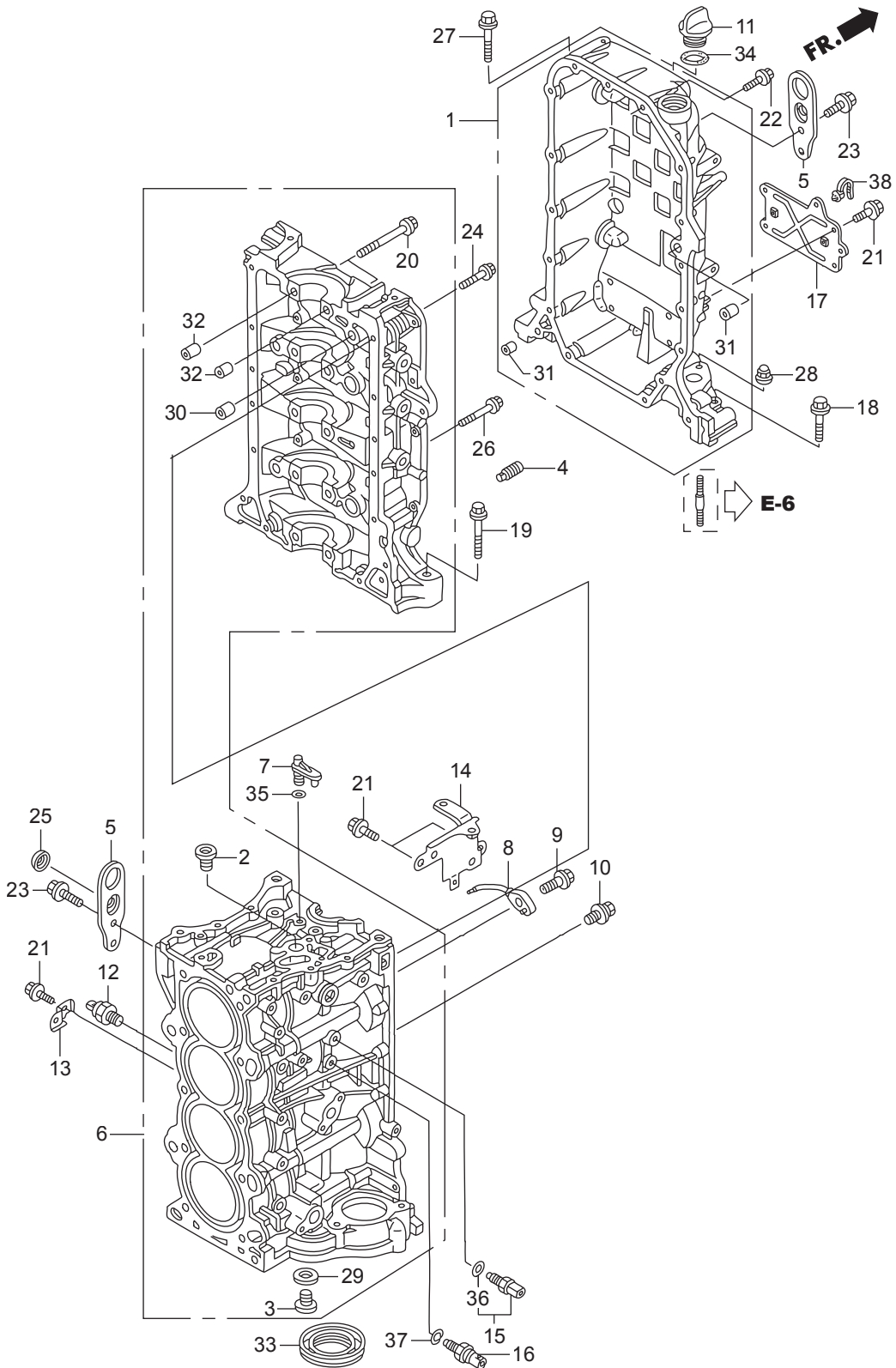




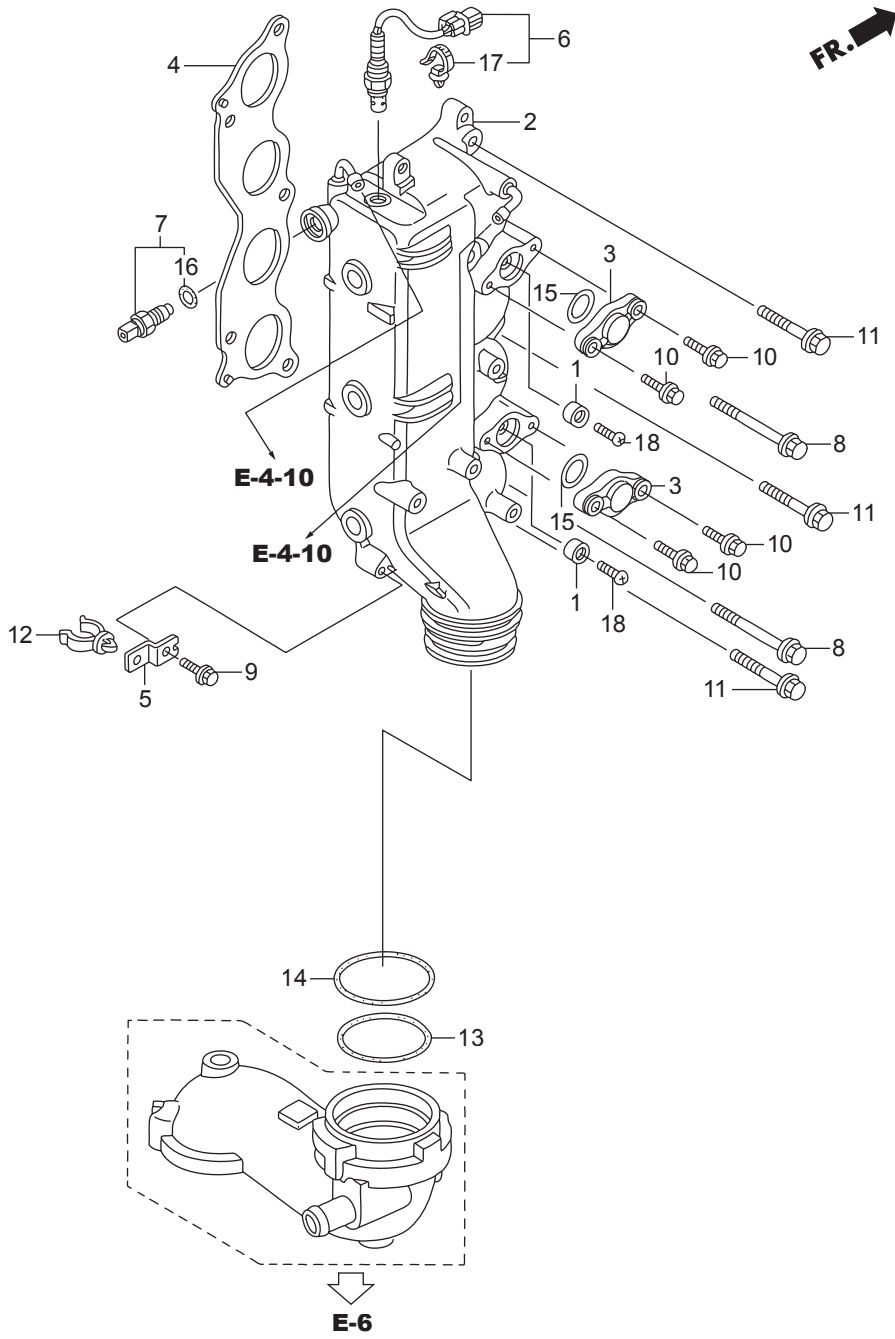




| Ref.No. | Part No. | Description      | Q' ty                           | Remarks |                 |
|---------|----------|------------------|---------------------------------|---------|-----------------|
|         |          |                  | BFT150A                         |         |                 |
| E-3     | 1        | HZY6-11100-405   | CRANKCASE COMP.                 | 1       |                 |
| E-3     | 2        | HPNA-11106-300   | BOLT, SEALING, 20MM             | 1       |                 |
| E-3     | 3        | HPR4-11106-013   | BOLT, SEALING, 28MM             | 1       |                 |
| E-3     | 4        | HPNA-11135-000   | ORIFICE, LOWER BLOCK            | 1       |                 |
| E-3     | 5        | HZY6-11911-000   | HANGER, ENGINE                  | 2       |                 |
| E-3     | 6        | HZY6-12000-415ZA | BLOCK ASSY., CYLINDER           | 1       | *NH8* DARK GRAY |
| E-3     | 7        | HZY6-15152-000   | ORIFICE, OIL JET                | 1       |                 |
| E-3     | 8        | HPRB-15280-A00   | BODY COMP., OIL JET             | 2       |                 |
| E-3     | 9        | HPRA-15290-000   | BOLT COMP., OIL JET             | 2       |                 |
| E-3     | 10       | HZY6-15299-000   | BOLT-WASHER, 8X10               | 2       |                 |
| E-3     | 11       | H921-15611-000   | CAP, OIL(YELLOW)                | 1       |                 |
| E-3     | 12       | HZY6-30530-003   | SENSOR ASSY., KNOCK             | 1       |                 |
| E-3     | 13       | HZW9-32114-730   | BRACKET, CLIP B                 | 1       |                 |
| E-3     | 14       | HZY6-32114-010   | BRACKET D, HARNESS CLIP         | 1       |                 |
| E-3     | 15       | HZY3-35673-003   | SENSOR ASSY., WATER TEMPERATURE | 1       |                 |
| E-3     | 16       | HRNA-37260-A01   | SENSOR, OIL PRESSURE            | 1       |                 |
| E-3     | 17       | HZY6-38552-000   | BRACKET, RELAY                  | 1       |                 |
| E-3     | 18       | HZY6-90001-000   | BOLT, FLANGE, 8X55              | 2       |                 |
| E-3     | 19       | HZY6-90005-000   | BOLT, FLANGE, 12X83             | 1       |                 |
| E-3     | 20       | HPNA-90006-003   | BOLT-WASHER, 11X95              | 10      |                 |
| E-3     | 21       | HZW9-90011-000   | BOLT, FLANGE, 6X14(CT200)       | 7       |                 |
| E-3     | 22       | HZW9-90016-000   | BOLT, FLANGE, 6X25              | 18      |                 |
| E-3     | 23       | HZY3-90026-000   | BOLT, FLANGE, 8X20              | 4       |                 |
| E-3     | 24       | HZY3-90054-000   | BOLT, FLANGE, 8X35              | 10      |                 |
| E-3     | 25       | HZY6-90082-003   | CAP, BOLT, 8MM                  | 1       |                 |
| E-3     | 26       | HZW4-90156-000   | BOLT, FLANGE, 8X50              | 4       |                 |
| E-3     | 27       | HZW4-90162-000   | BOLT, FLANGE, 10X70             | 1       |                 |
| E-3     | 28       | HZY3-90204-000   | NUT, FLANGE CAP, 10MM           | 2       |                 |
| E-3     | 29       | HPR4-90401-000   | WASHER, SEALING, 28MM           | 1       |                 |

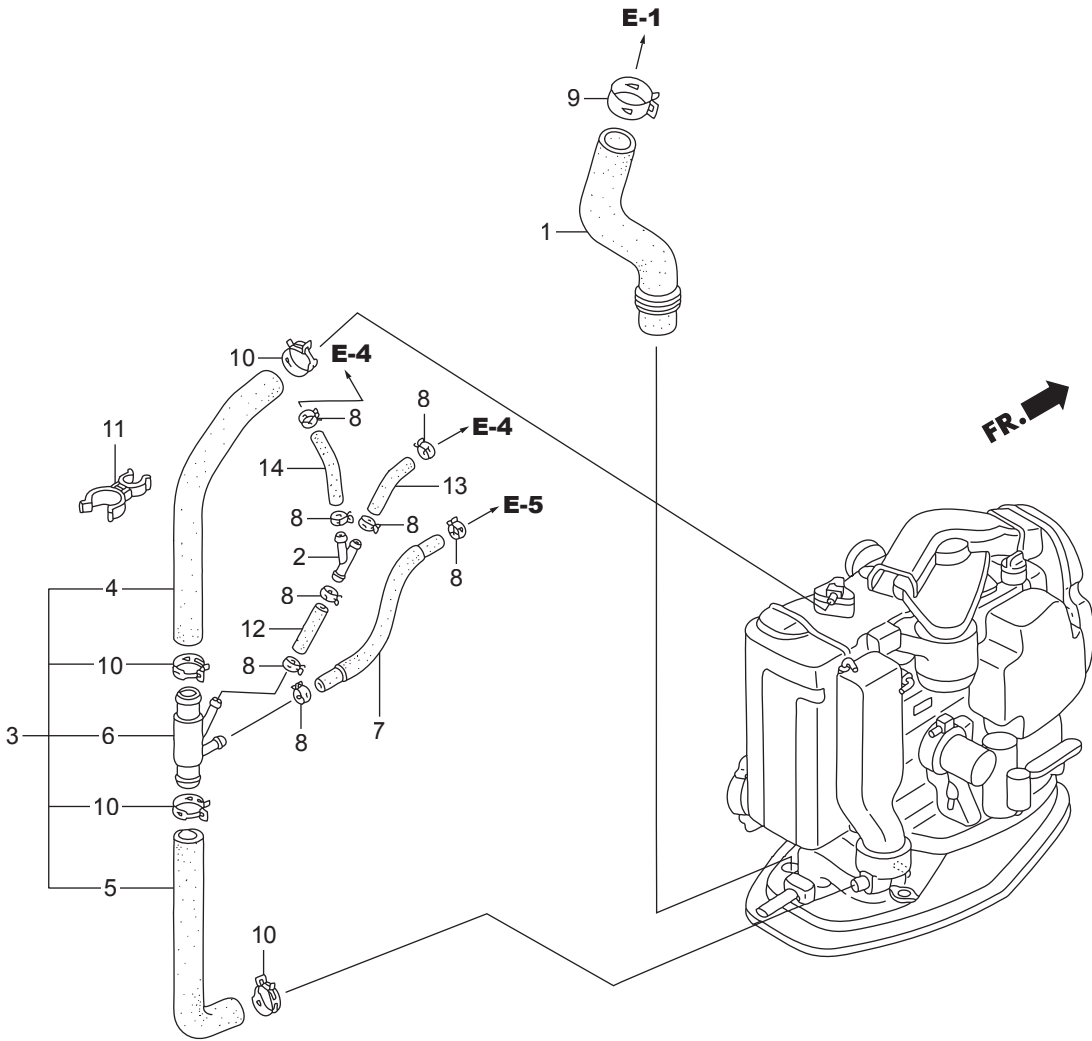




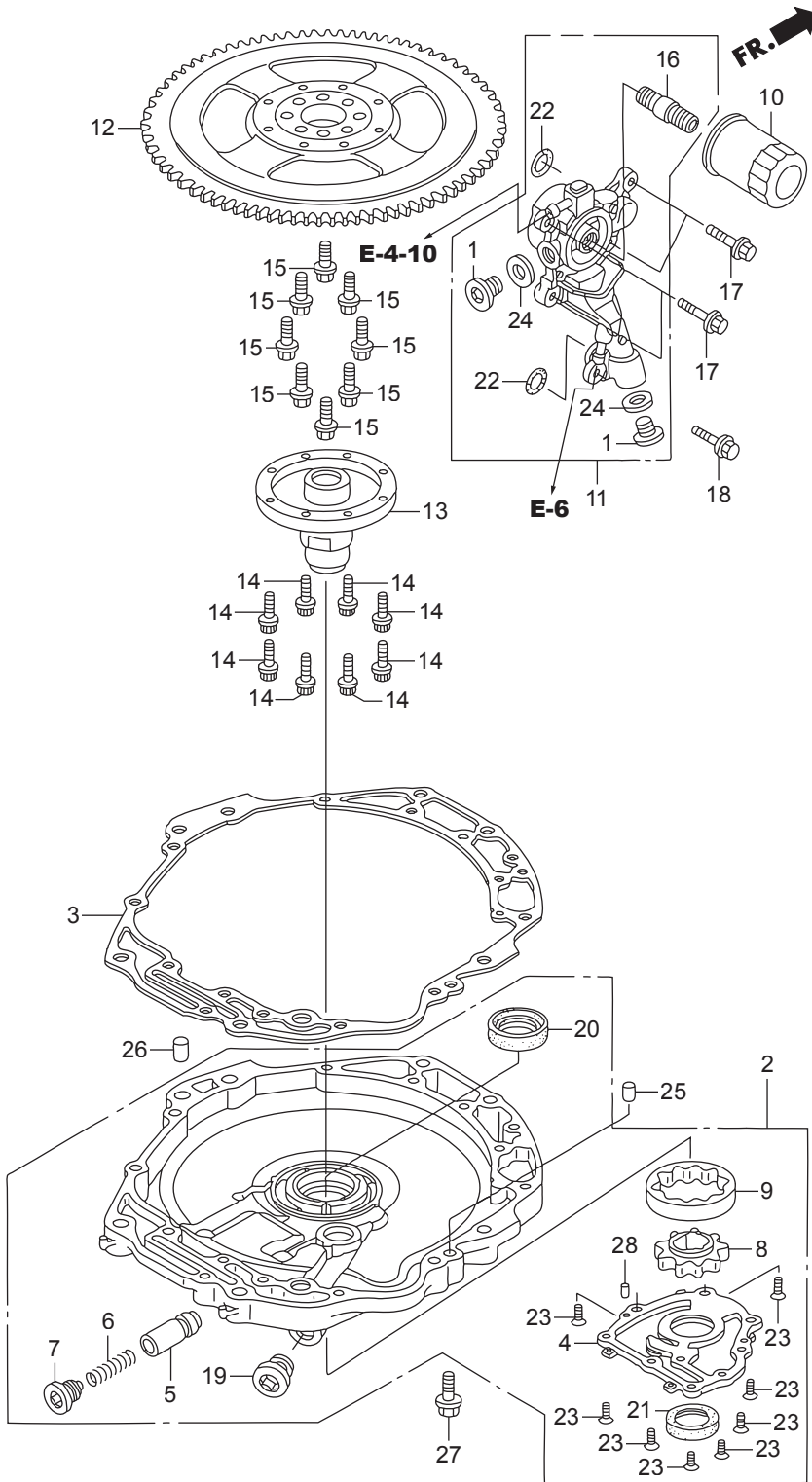






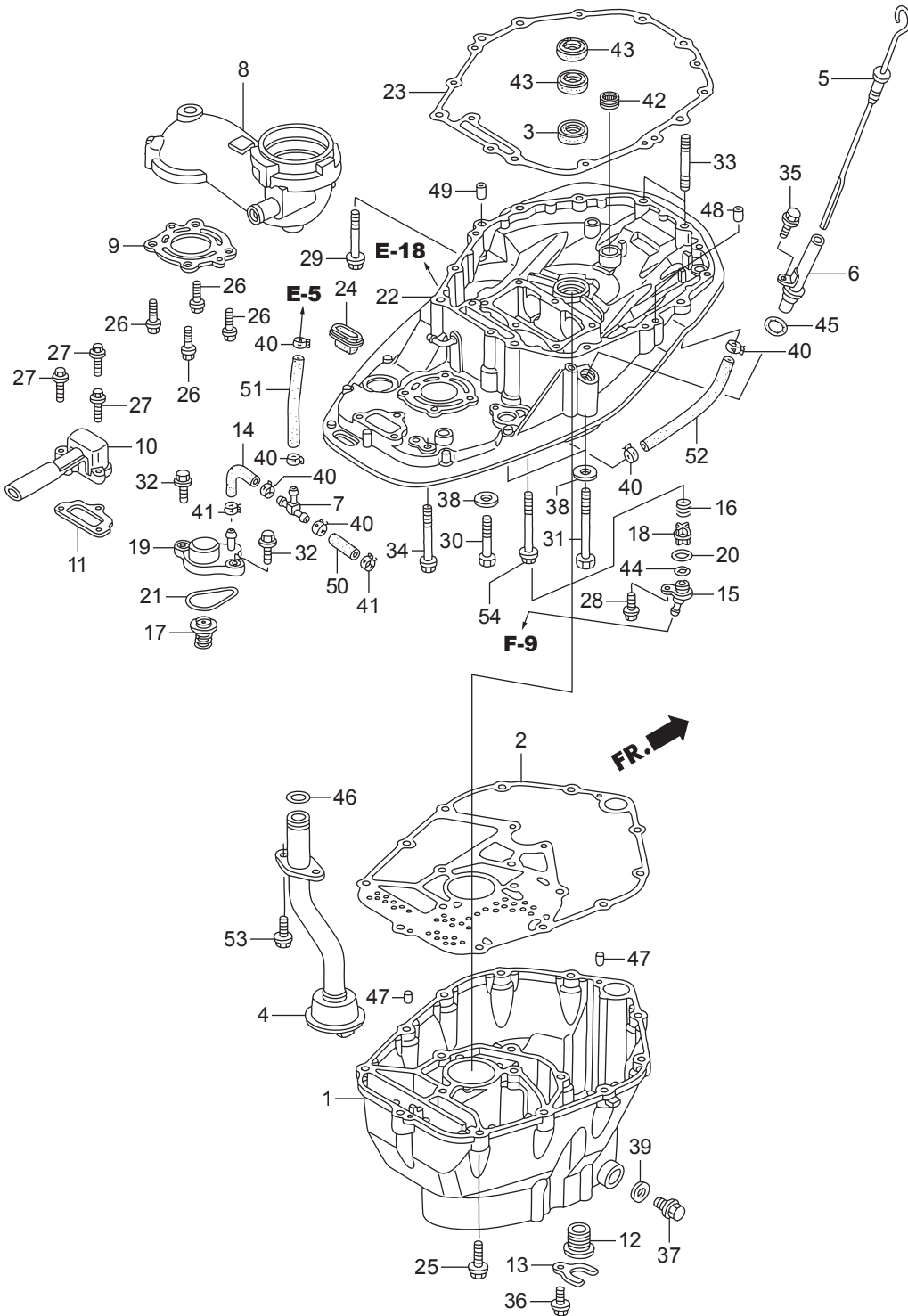






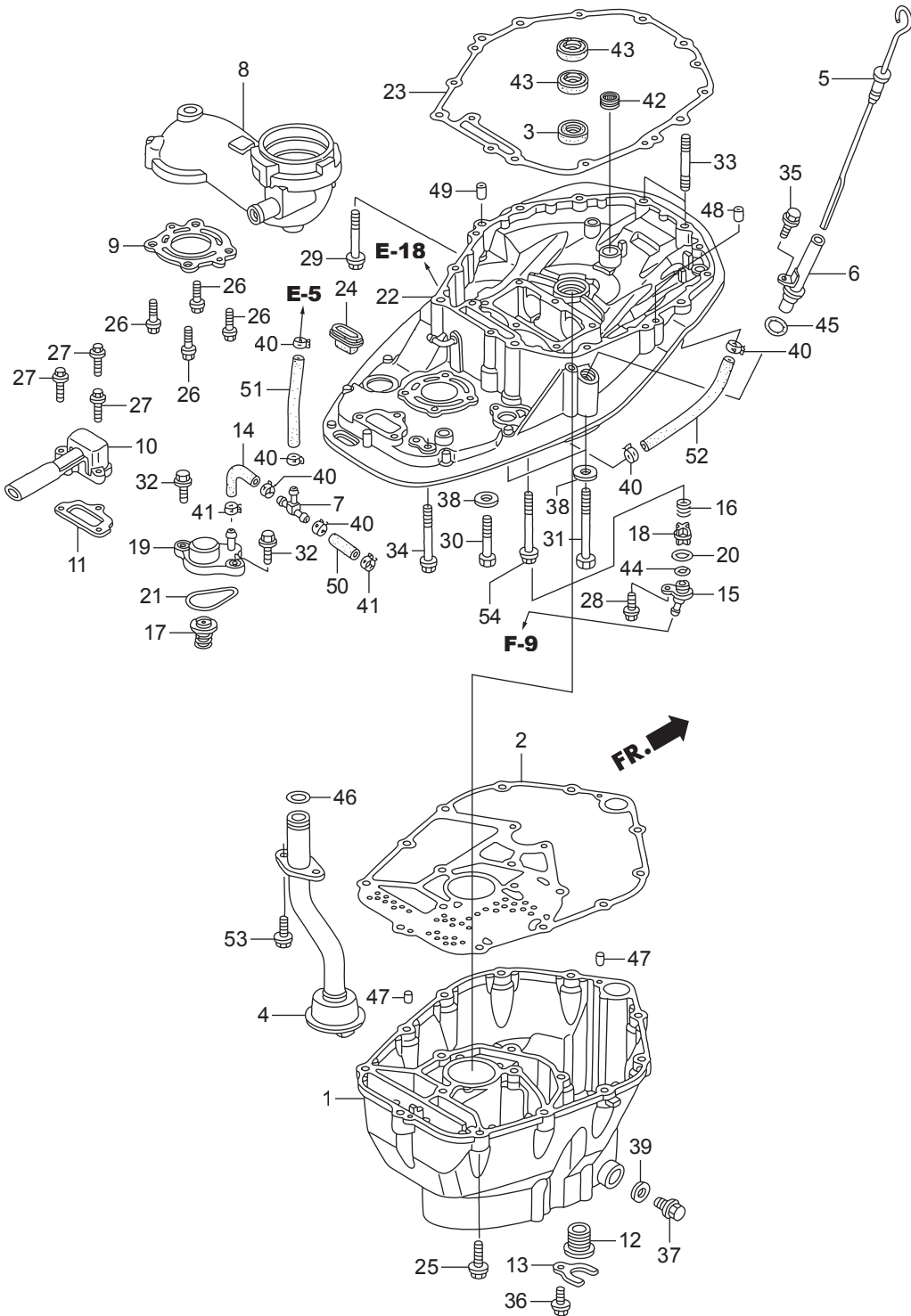
| Ref.No. | Part No. | Description        | Q' ty                    | Remarks |                 |
|---------|----------|--------------------|--------------------------|---------|-----------------|
|         |          |                    | BFT150A                  |         |                 |
| E-5     | 1        | HZW1-12217-010     | BOLT, SEALING, 20MM      | 2       |                 |
| E-5     | 2        | HZY6-15100-000ZA   | PUMP ASSY., OIL          | 1       | *NH8* DARK GRAY |
| E-5     | 3        | HZY6-15112-000     | PACKING, OIL PUMP BODY   | 1       |                 |
| E-5     | 4        | HZY6-15121-000     | COVER, OIL PUMP          | 1       |                 |
| E-5     | 5        | HPE0-15231-000     | VALVE, RELIEF            | 1       |                 |
| E-5     | 6        | HPG6-15232-000     | SPRING, RELIEF VALVE     | 1       |                 |
| E-5     | 7        | HPC6-15233-000     | BOLT, SEALING, 18MM      | 1       |                 |
| E-5     | 8        | HZW5-15331-003     | ROTOR, INNER OIL PUMP    | 1       |                 |
| E-5     | 9        | HZW5-15341-003     | ROTOR, OUTER OIL PUMP    | 1       |                 |
| E-5     | 10       | HRTA-15400-004     | CARTRIDGE, OIL FILTER    | 1       | (TOYO ROKI)     |
| E-5     | 11       | HZY6-15410-010ZA   | FLANGE COMP., OIL FILTER | 1       | *NH8* DARK GRAY |
| E-5     | 12       | HZY6-31110-000ZA   | FLYWHEEL COMP.           | 1       | *TBLACK* BLACK  |
| E-5     | 13       | HZY3-31116-000     | BOSS, FLYWHEEL           | 1       |                 |
| E-5     | 14       | HZW5-90002-013     | BOLT, SPECIAL, 8MM       | 8       |                 |
| E-5     | 15       | HPH3-90011-000     | BOLT, FLANGE, 12MM       | 8       |                 |
| E-5     | 16       | HPH1-90015-013     | HOLDER, OIL FILTER       | 1       |                 |
| E-5     | 17       | HZW9-90016-000     | BOLT, FLANGE, 6X25       | 4       |                 |
| E-5     | 18       | HZW5-90018-000     | BOLT, FLANGE, 6X20       | 1       |                 |
| E-5     | 19       | HZV5-90081-010     | BOLT, SEALING, 22MM      | 2       |                 |
| E-5     | 20       | HZW5-91201-003     | OIL SEAL, 46X60X9        | 1       |                 |
| E-5     | 21       | HP01-91212-003     | OIL SEAL, 31X46X7(NOK)   | 1       |                 |
| E-5     | 22       | HVD6-91360-003     | O-RING, 22.5X2.4         | 2       |                 |
| E-5     | 23       | HCO-93600-06016-0A | SCREW, FLAT, 6X16        | 9       |                 |
| E-5     | 24       | HCO-94109-20000    | WASHER, DRAIN PLUG, 20MM | 2       |                 |
| E-5     | 25       | HCO-94301-10160    | DOWEL PIN, 10X16         | 1       |                 |
| E-5     | 26       | HCO-94301-14200    | DOWEL PIN, 14X20         | 1       |                 |
| E-5     | 27       | HCO-95701-08032-08 | BOLT, FLANGE, 8X32       | 5       |                 |
| E-5     | 28       | HCO-96220-50080    | ROLLER, 5X8              | 2       |                 |
|         |          |                    |                          |         |                 |

# E-6 OIL PAN



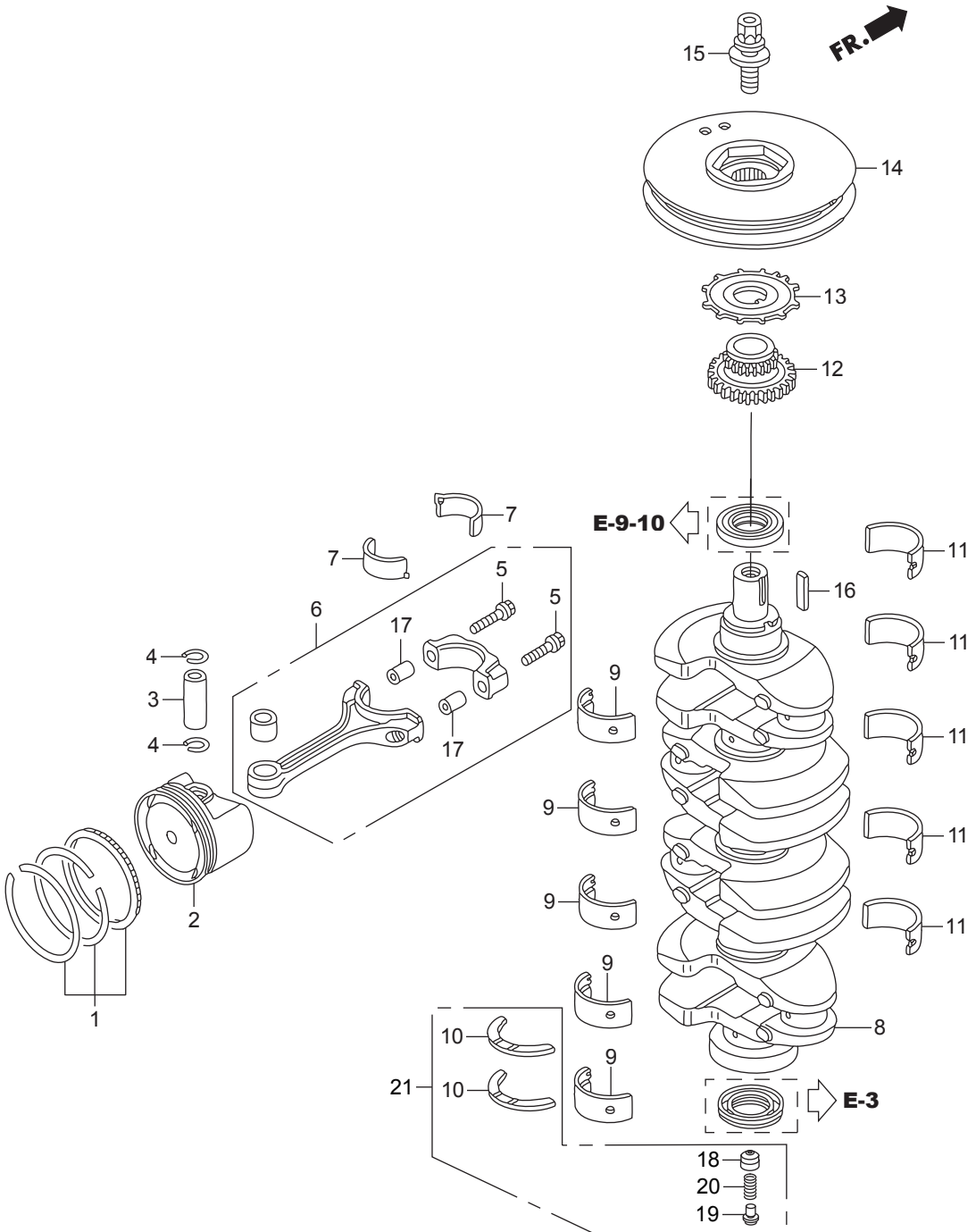
| Ref.No. | Part No. | Description      | Q' ty                    | Remarks |                 |
|---------|----------|------------------|--------------------------|---------|-----------------|
|         |          |                  | BFT150A                  |         |                 |
| E-6     | 1        | HZY6-11321-010ZB | CASE, OIL                | 1       | *TGRAY* GRAY    |
| E-6     | 2        | HZY6-11381-010   | PACKING, OIL PAN         | 1       |                 |
| E-6     | 3        | HZW5-15113-000   | RUBBER, OIL PUMP         | 1       |                 |
| E-6     | 4        | HZY6-15220-010   | STRAINER COMP., OIL      | 1       |                 |
| E-6     | 5        | HZY6-15655-000   | GAUGE COMP., OIL LEVEL   | 1       |                 |
| E-6     | 6        | HZW1-15665-020   | PIPE COMP., OIL LEVEL    | 1       |                 |
| E-6     | 7        | HMN5-17195-000   | T-JOINT                  | 1       |                 |
| E-6     | 8        | HZY6-18130-000ZA | GUIDE COMP., EX.         | 1       | *NH8* DARK GRAY |
| E-6     | 9        | HZY6-18135-003   | GASKET, EX. GUIDE        | 1       |                 |
| E-6     | 10       | HZY6-18211-000   | PORT, IDLE EXHAUST       | 1       |                 |
| E-6     | 11       | HZY6-18212-000   | GASKET, IDLE EX. PORT    | 1       |                 |
| E-6     | 12       | HZW1-19252-000   | GROMMET, WATER TUBE      | 1       |                 |
| E-6     | 13       | HZY6-19254-000   | PLATE, WATER TUBE        | 1       |                 |
| E-6     | 14       | HZY6-19256-000   | TUBE, WATER RELIEF       | 1       |                 |
| E-6     | 15       | HZZ3-19277-000   | COVER, FLUSH VALVE       | 1       |                 |
| E-6     | 16       | HZW9-19279-000   | SPRING, FLUSH VALVE      | 1       |                 |
| E-6     | 17       | HZY6-19290-003   | VALVE ASSY., RELIEF      | 1       |                 |
| E-6     | 18       | HZW9-19291-000   | VALVE, FLASH             | 1       |                 |
| E-6     | 19       | HZY6-19295-000   | COVER, RELIEF VALVE      | 1       |                 |
| E-6     | 20       | HZW9-19297-000   | PACKING, FLASH VALVE     | 1       |                 |
| E-6     | 21       | HZW9-19317-000   | O-RING, THERMOSTAT COVER | 1       |                 |
| E-6     | 22       | HZY6-23170-000ZA | CASE COMP., MOUNT        | 1       | *NH8* DARK GRAY |
| E-6     | 23       | HZY6-23172-000   | GASKET, MOUNT CASE       | 1       |                 |
| E-6     | 24       | HZY3-23173-010   | RUBBER, MOUNT CASE SEAL  | 1       |                 |
| E-6     | 25       | HZY6-90002-000   | BOLT, FLANGE, 10X40      | 16      |                 |
| E-6     | 26       | HZY6-90014-000   | BOLT, FLANGE, 8X30       | 4       |                 |
| E-6     | 27       | HZW9-90016-000   | BOLT, FLANGE, 6X25       | 3       |                 |
| E-6     | 28       | HZW9-90105-000   | BOLT, FLANGE, 6X20       | 1       |                 |
| E-6     | 29       | HZY6-90017-000   | BOLT, FLANGE, 10X80      | 1       |                 |

# E-6 OIL PAN

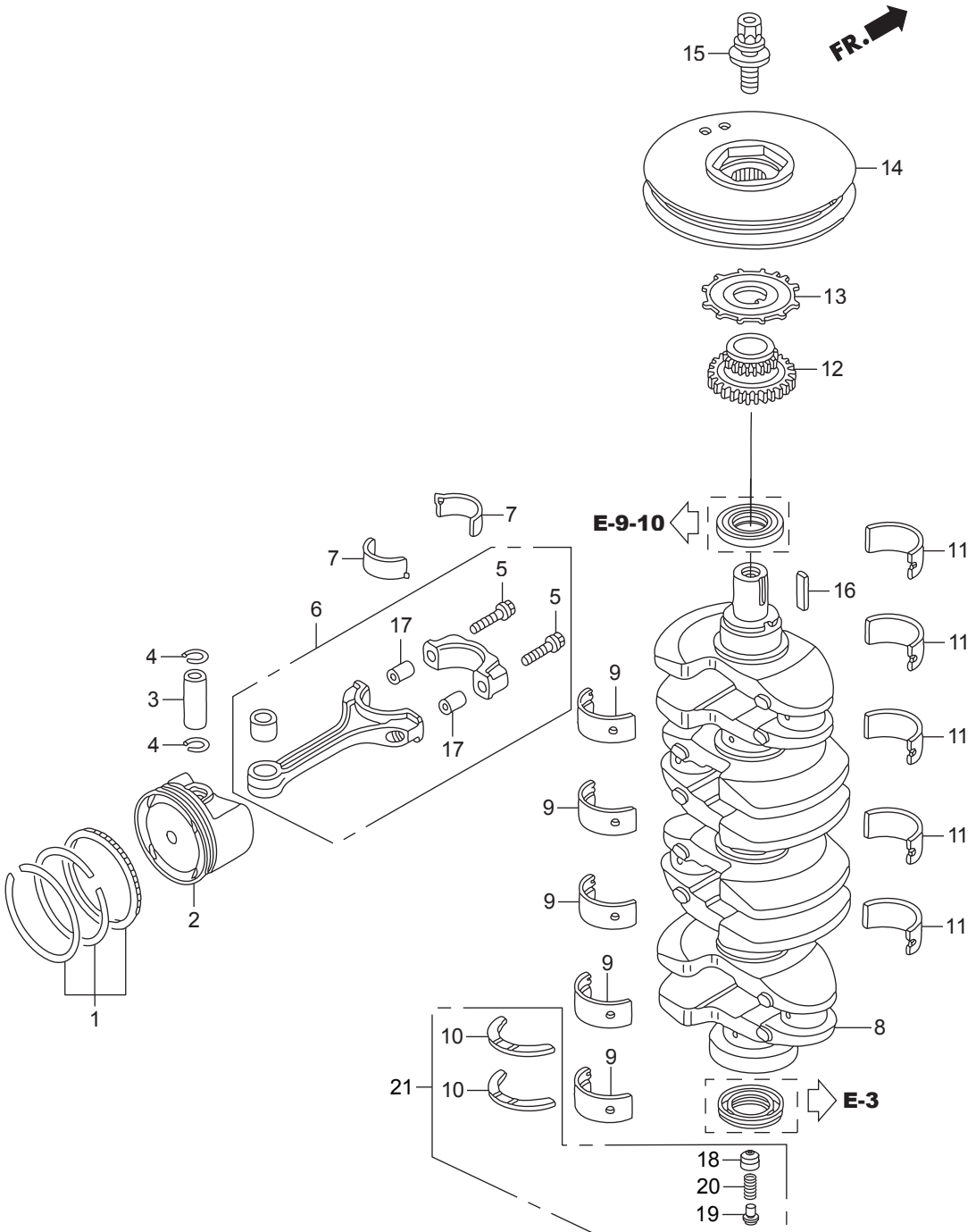




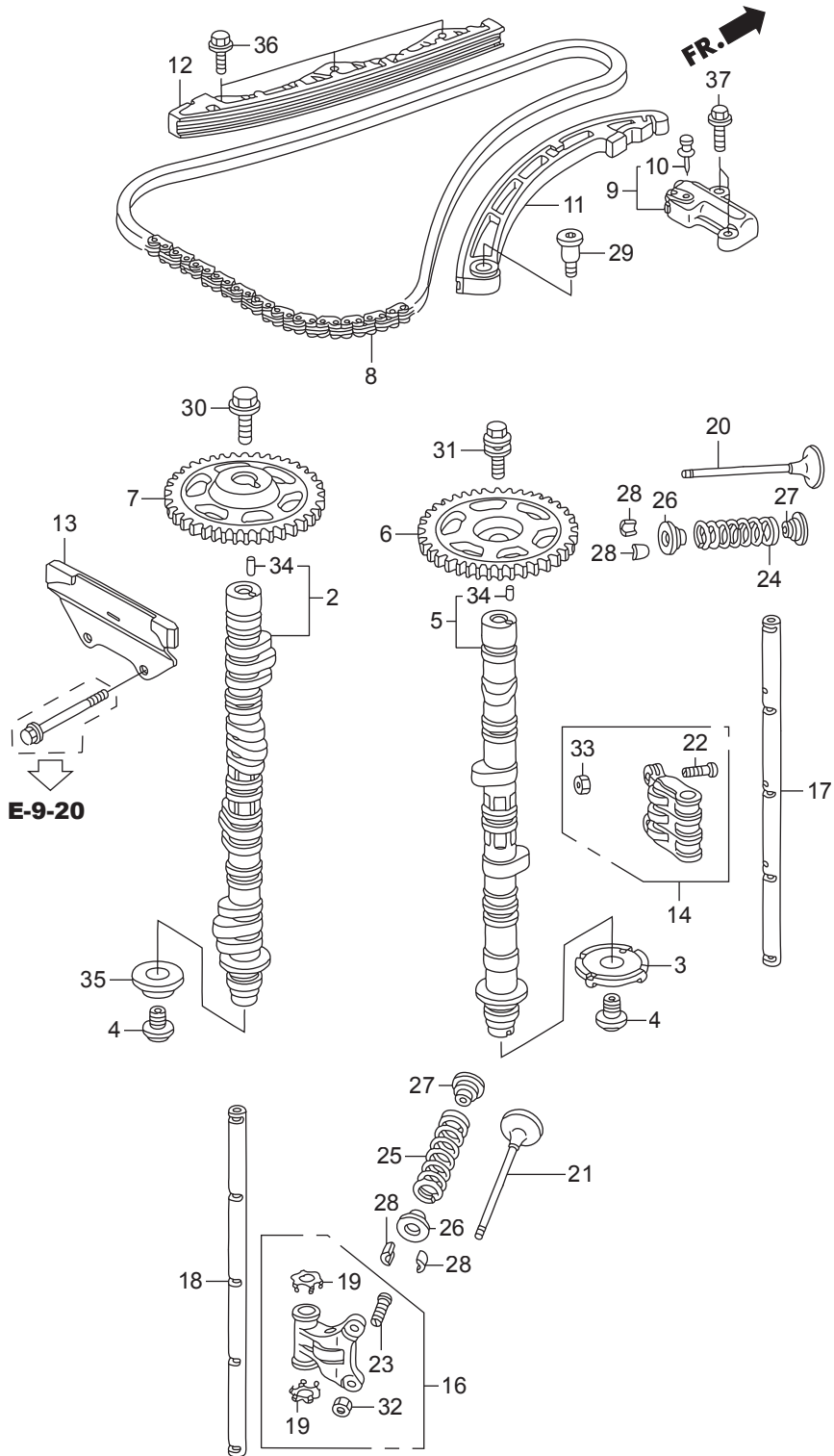
| Ref.No. | Part No. | Description        | Q' ty                     | Remarks |                      |
|---------|----------|--------------------|---------------------------|---------|----------------------|
|         |          |                    | BFT150A                   |         |                      |
| E-6     | 30       | HZY6-90018-000     | BOLT, HEX., 12X70         | 1       |                      |
| E-6     | 31       | HZY6-90019-000     | BOLT, HEX., 12X130        | 2       |                      |
| E-6     | 32       | HZY3-90030-000     | BOLT, FLANGE, 6X22        | 2       |                      |
| E-6     | 33       | HZY6-90045-000     | BOLT, STUD, 10X55         | 2       |                      |
| E-6     | 34       | HZY3-90046-000     | BOLT, FLANGE, 8X100       | 1       |                      |
| E-6     | 35       | HZY3-90056-000     | BOLT, FLANGE, 6X12        | 1       |                      |
| E-6     | 36       | HZW9-90102-000     | BOLT, FLANGE, 6X12        | 1       |                      |
| E-6     | 37       | HZV5-90131-000     | BOLT, DRAIN PLUG          | 1       |                      |
| E-6     | 38       | HZV5-90559-000     | WASHER, PLAIN, 12MM       | 3       |                      |
| E-6     | 39       | HZE2-90601-000     | WASHER, DRAIN PLUG, 12MM  | 1       |                      |
| E-6     | 40       | HZY3-90601-030     | CLAMP, TUBE(D10.5)        | 6       |                      |
| E-6     | 41       | HZY6-90606-003     | CLAMP, TUBE(D10.5)        | 2       |                      |
| E-6     | 42       | HZY3-91001-003     | BEARING, NEEDLE, 20X28X13 | 1       | (SOLID)              |
| E-6     | 43       | HZW5-91202-003     | SEAL, WATER, 22X35X7      | 2       |                      |
| E-6     | 44       | H800-91303-000     | O-RING, 16MM              | 1       |                      |
| E-6     | 45       | HPJ7-91309-010     | O-RING, 11.5X3.5          | 1       |                      |
| E-6     | 46       | HPC6-91324-000     | O-RING, 20.6X2.6          | 1       |                      |
| E-6     | 47       | HCO-94301-06100    | DOWEL PIN, 6X10           | 2       |                      |
| E-6     | 48       | HCO-94301-10160    | DOWEL PIN, 10X16          | 1       |                      |
| E-6     | 49       | HCO-94301-14200    | DOWEL PIN, 14X20          | 1       |                      |
| E-6     | 50       | HCO-95005-70040-30 | TUBE, 7X40                | 1       | (HC-95005-70001-30M) |
| E-6     | 51       | HCO-95005-70160-30 | TUBE, 7X160               | 1       | (HC-95005-70001-30M) |
| E-6     | 52       | HCO-95005-70200-30 | TUBE, 7X200               | 1       | (HC-95005-70001-30M) |
| E-6     | 53       | HCO-95701-06018-09 | BOLT, FLANGE, 6X18        | 2       |                      |
| E-6     | 54       | HCO-95701-10110-09 | BOLT, FLANGE, 10X110      | 2       |                      |
|         |          |                    |                           |         |                      |
|         |          |                    |                           |         |                      |
|         |          |                    |                           |         |                      |
|         |          |                    |                           |         |                      |



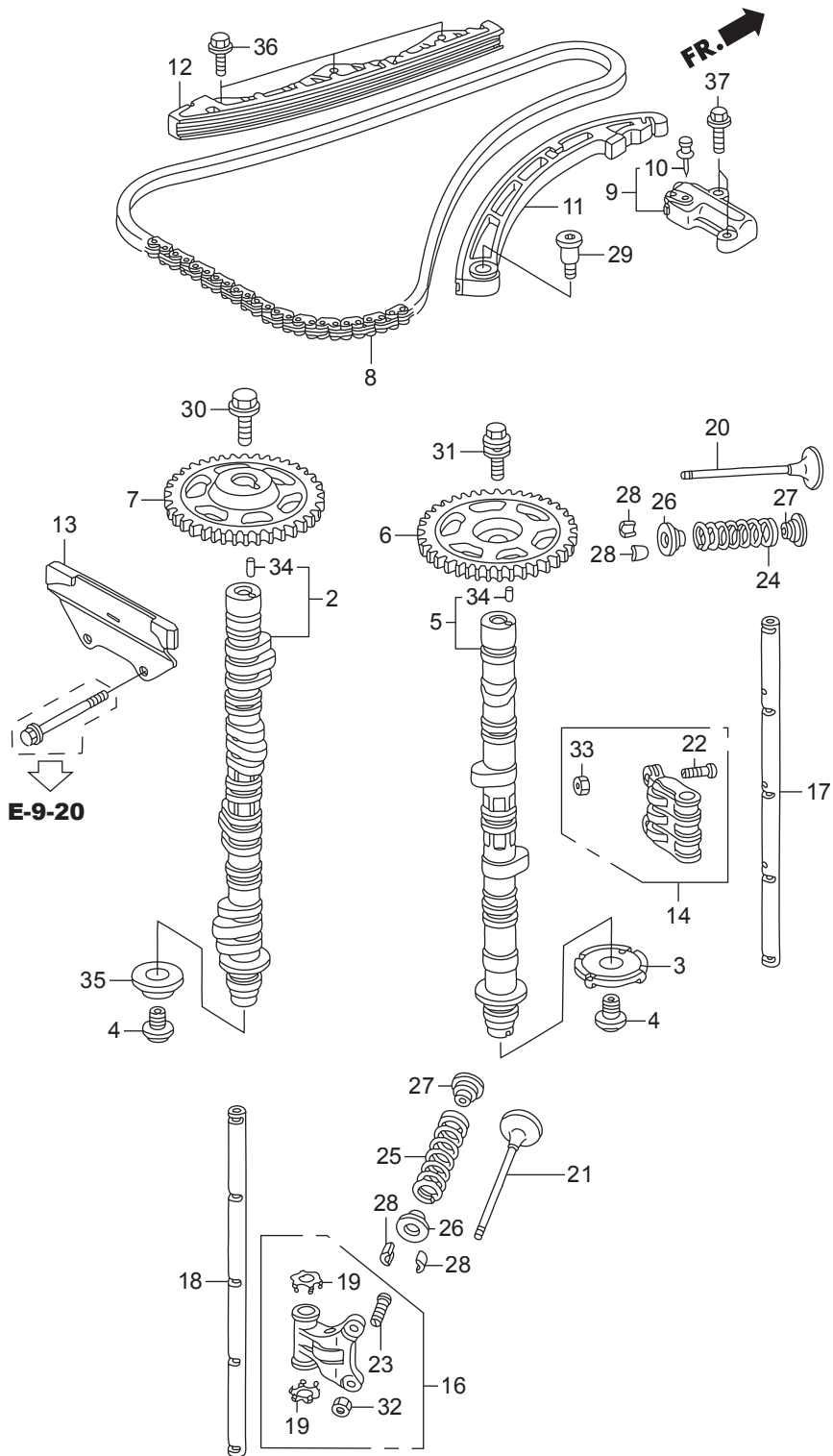
| Ref.No. | Part No. | Description    | Q' ty                              | Remarks |           |
|---------|----------|----------------|------------------------------------|---------|-----------|
|         |          |                | BFT150A                            |         |           |
| E-7     | 1        | HZY6-13010-000 | RING SET, PISTON(STD.)             | 4       |           |
| E-7     | 2        | HZY6-13101-000 | PISTON A                           | 4       |           |
| E-7     | 2        | HZY6-13102-000 | PISTON B                           | 4       |           |
| E-7     | 3        | HPNA-13111-010 | PIN, PISTON                        | 4       |           |
| E-7     | 4        | HP5A-13115-000 | CLIP, PISTON PIN                   | 8       |           |
| E-7     | 5        | HP8A-13204-A01 | BOLT, CONNECTING ROD               | 8       |           |
| E-7     | 6        | HPPA-13210-000 | ROD COMP., CONNECTING              | 4       |           |
| E-7     | 7        | HZY6-13211-004 | BEARING A, CONNECTING ROD (BLUE)   | 8       |           |
| E-7     | 7        | HZY6-13212-004 | BEARING B, CONNECTING ROD (BLACK)  | 8       |           |
| E-7     | 7        | HZY6-13213-004 | BEARING C, CONNECTING ROD (BROWN)  | 8       |           |
| E-7     | 7        | HZY6-13214-004 | BEARING D, CONNECTING ROD (GREEN)  | 8       |           |
| E-7     | 7        | HZY6-13215-004 | BEARING E, CONNECTING ROD (YELLOW) | 8       |           |
| E-7     | 7        | HZY6-13216-004 | BEARING F, CONNECTING ROD (PINK)   | 8       |           |
| E-7     | 7        | HZY6-13217-004 | BEARING G, CONNECTING ROD(RED)     | 8       |           |
| E-7     | 8        | HPPA-13310-000 | CRANKSHAFT COMP.                   | 1       |           |
| E-7     | 9        | HPNA-13321-003 | BEARING A, MAIN UPPER(BLUE)        | 5       | (DAIDO)   |
| E-7     | 9        | HPNA-13322-003 | BEARING B, MAIN UPPER(BLACK)       | 5       | (DAIDO)   |
| E-7     | 9        | HPNA-13323-003 | BEARING C, MAIN UPPER(BROWN)       | 5       | (DAIDO)   |
| E-7     | 9        | HPNA-13324-003 | BEARING D, MAIN UPPER(GREEN)       | 5       | (DAIDO)   |
| E-7     | 9        | HPNA-13325-003 | BEARING E, MAIN UPPER(YELLOW)      | 5       | (DAIDO)   |
| E-7     | 9        | HPNA-13326-003 | BEARING F, MAIN UPPER(PINK)        | 5       | (DAIDO)   |
| E-7     | 10       | HZY6-13331-023 | WASHER, THRUST                     | 2       | #1034597~ |
| E-7     | 11       | HPNA-13341-003 | BEARING A, MAIN LOWER(BLUE)        | 5       | (DAIDO)   |
| E-7     | 11       | HPNA-13342-003 | BEARING B, MAIN LOWER(BLACK)       | 5       | (DAIDO)   |
| E-7     | 11       | HPNA-13343-003 | BEARING C, MAIN LOWER(BROWN)       | 5       | (DAIDO)   |
| E-7     | 11       | HPNA-13344-003 | BEARING D, MAIN LOWER(GREEN)       | 5       | (DAIDO)   |
| E-7     | 11       | HPNA-13345-003 | BEARING E, MAIN LOWER(YELLOW)      | 5       | (DAIDO)   |
| E-7     | 11       | HPNA-13346-003 | BEARING F, MAIN LOWER(PINK)        | 5       | (DAIDO)   |
| E-7     | 12       | HRAA-13620-A02 | SPROCKET COMP., CHAIN DRIVE        | 1       |           |





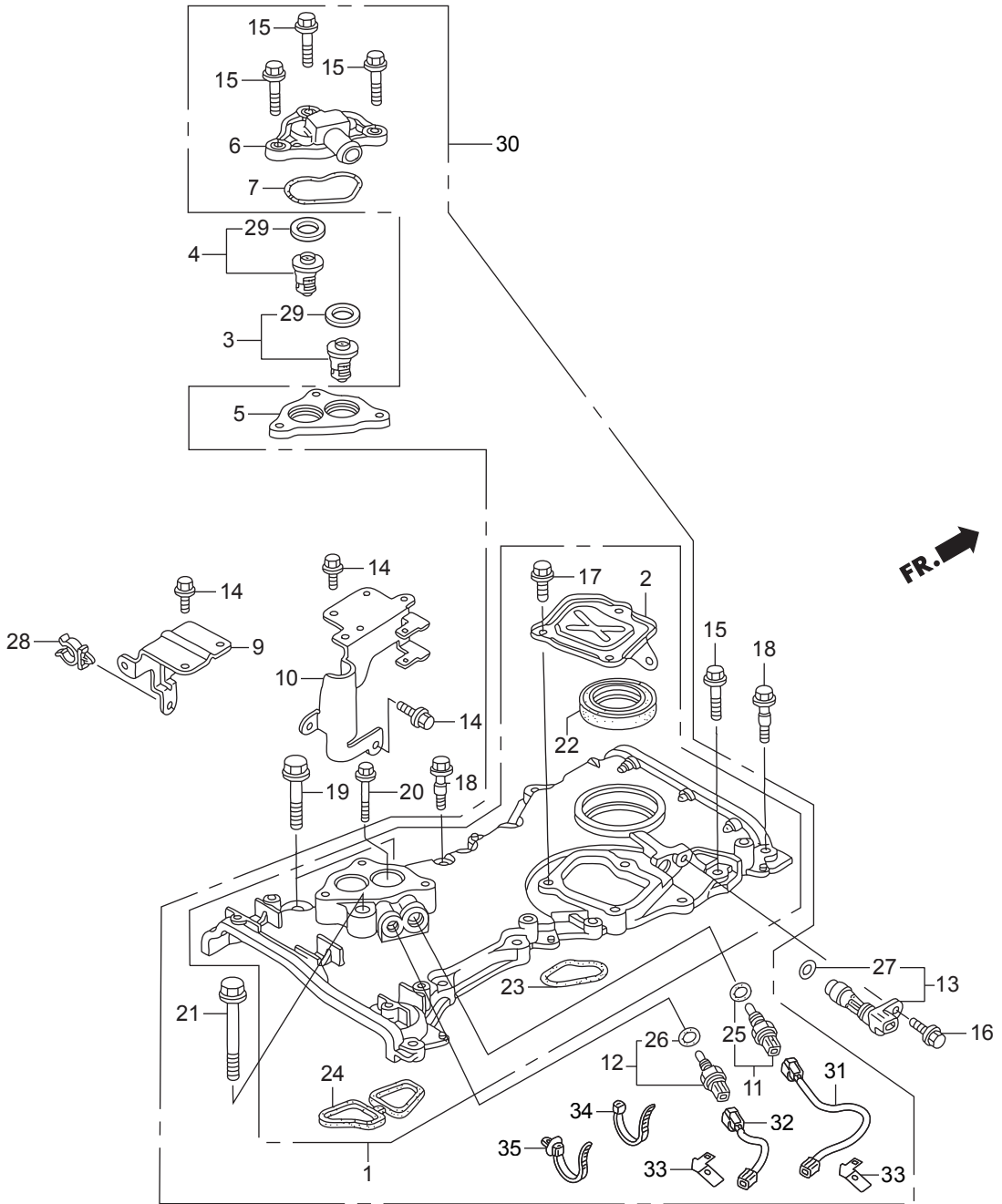


| Ref.No. | Part No. | Description    | Q' ty                          | Remarks |                  |
|---------|----------|----------------|--------------------------------|---------|------------------|
|         |          |                | BFT150A                        |         |                  |
| E-9     | 2        | HZY6-14110-000 | CAMSHAFT COMP., IN.            | 1       |                  |
| E-9     | 3        | HPNA-14114-003 | PLATE, TDC PULSE               | 1       |                  |
| E-9     | 4        | HPNA-14115-000 | BOLT, SEALING, 14MM            | 2       |                  |
| E-9     | 5        | HZY6-14120-000 | CAMSHAFT COMP., EX.            | 1       |                  |
| E-9     | 6        | HPNA-14210-000 | SPROCKET, CAM CHAIN DRIVEN     | 1       | (46T)            |
| E-9     | 7        | HZY6-14311-000 | SPROCKET, CAM CHAIN DRIVEN IN. | 1       | (46T)            |
| E-9     | 8        | HR40-14401-A01 | CHAIN(176L)(DAIDO)             | 1       |                  |
| E-9     | 9        | HZY6-14510-003 | TENSIONER ASSY., CAM CHAIN     | 1       |                  |
| E-9     | 10       | HPNA-14511-003 | STOPPER(TOOL)                  | 1       |                  |
| E-9     | 11       | HPPA-14520-003 | ARM COMP., CAM CHAIN TENSIONER | 1       |                  |
| E-9     | 12       | HPPA-14530-003 | GUIDE COMP., CAM CHAIN         | 1       |                  |
| E-9     | 13       | HRWC-14540-A02 | GUIDE COMP. B, CAM CHAIN       | 1       |                  |
| E-9     | 14       | HPNA-14620-040 | ARM ASSY., ROCKER              | 4       |                  |
| E-9     | 16       | HRAA-14624-A00 | ARM ASSY., EX. ROCKER          | 4       |                  |
| E-9     | 17       | HPNA-14631-000 | SHAFT, ROCKER                  | 1       |                  |
| E-9     | 18       | HR40-14633-A00 | SHAFT, EX. ROCKER              | 1       |                  |
| E-9     | 19       | HRAA-14647-A00 | WASHER, THRUST                 | 8       |                  |
| E-9     | 20       | HPNA-14711-000 | VALVE, IN.                     | 8       |                  |
| E-9     | 21       | HPRB-14721-A00 | VALVE, EX.                     | 8       |                  |
| E-9     | 22       | HPCX-14744-014 | SCREW, TAPPET ADJUSTING        | 8       |                  |
| E-9     | 23       | HPNA-14744-004 | SCREW, TAPPET ADJUSTING        | 8       |                  |
| E-9     | 24       | HZY6-14751-003 | SPRING, IN. VALVE(PINK)        | 8       | (NIPPON HATSUJO) |
| E-9     | 25       | HPNA-14762-003 | SPRING, EX. VALVE(GRAY)        | 8       | (NIPPON HATSUJO) |
| E-9     | 26       | HRAA-14765-A00 | RETAINER, VALVE SPRING         | 16      |                  |
| E-9     | 27       | HPT0-14775-000 | SEAT, VALVE SPRING             | 16      |                  |
| E-9     | 28       | HRGM-14781-A01 | COTTER, VALVE(FUJI VALVE)      | 32      |                  |
| E-9     | 29       | HPNA-90003-000 | BOLT, TENSIONER PIVOT          | 1       |                  |
| E-9     | 30       | HPNA-90032-000 | BOLT, FLANGE, 12X47            | 1       |                  |
| E-9     | 31       | HPNA-90042-003 | BOLT, FLANGE, 10X32            | 1       |                  |

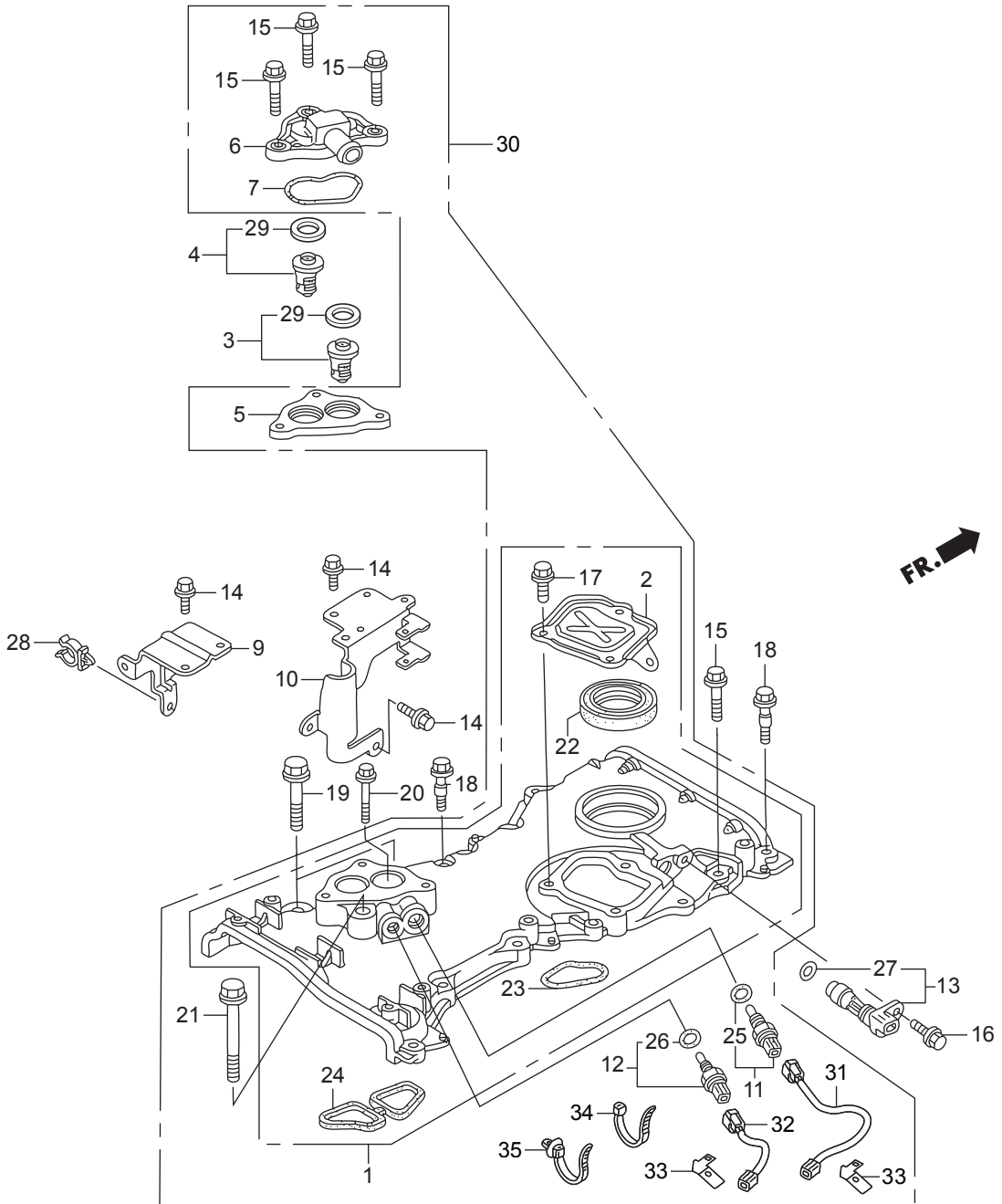




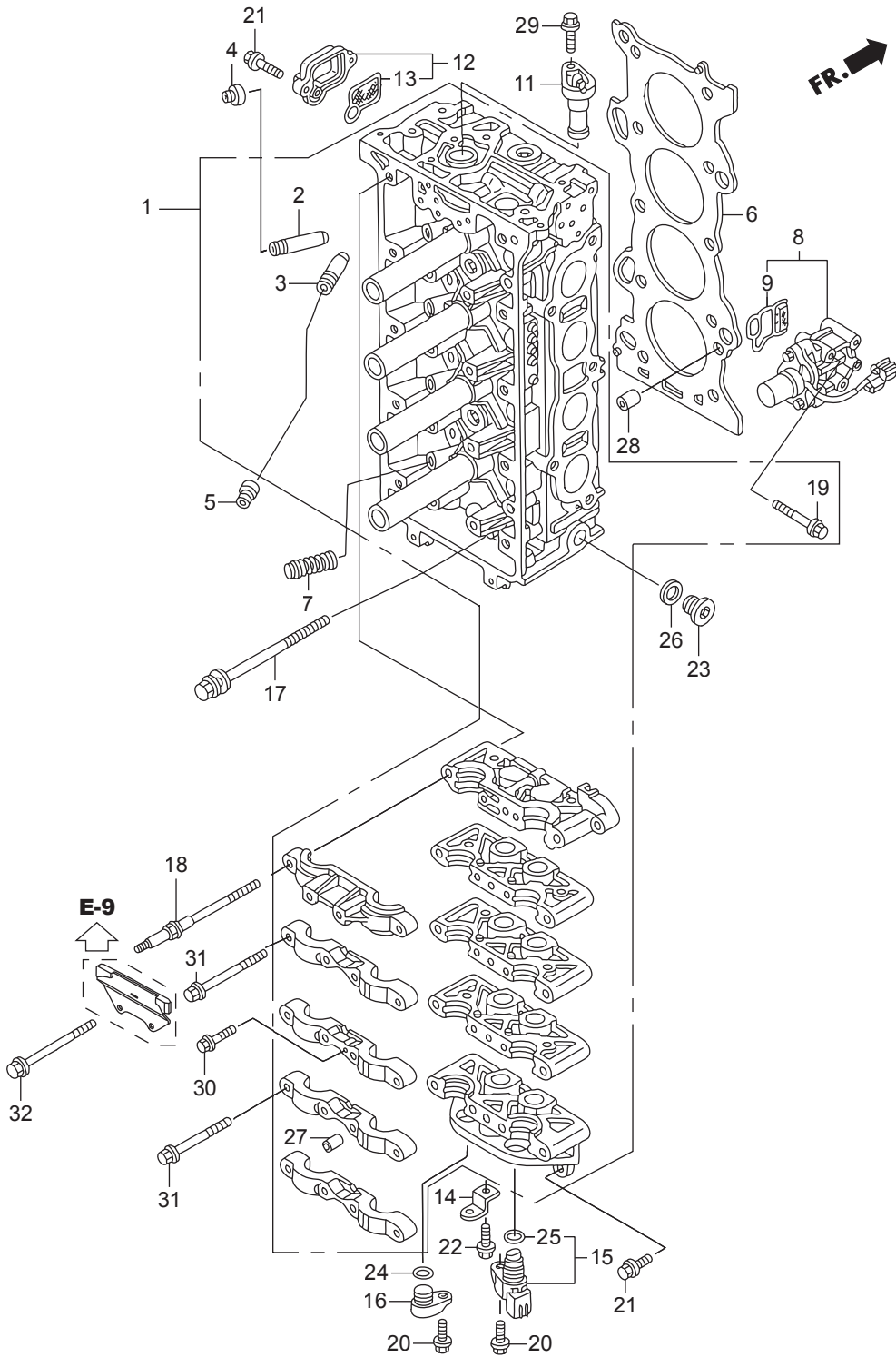




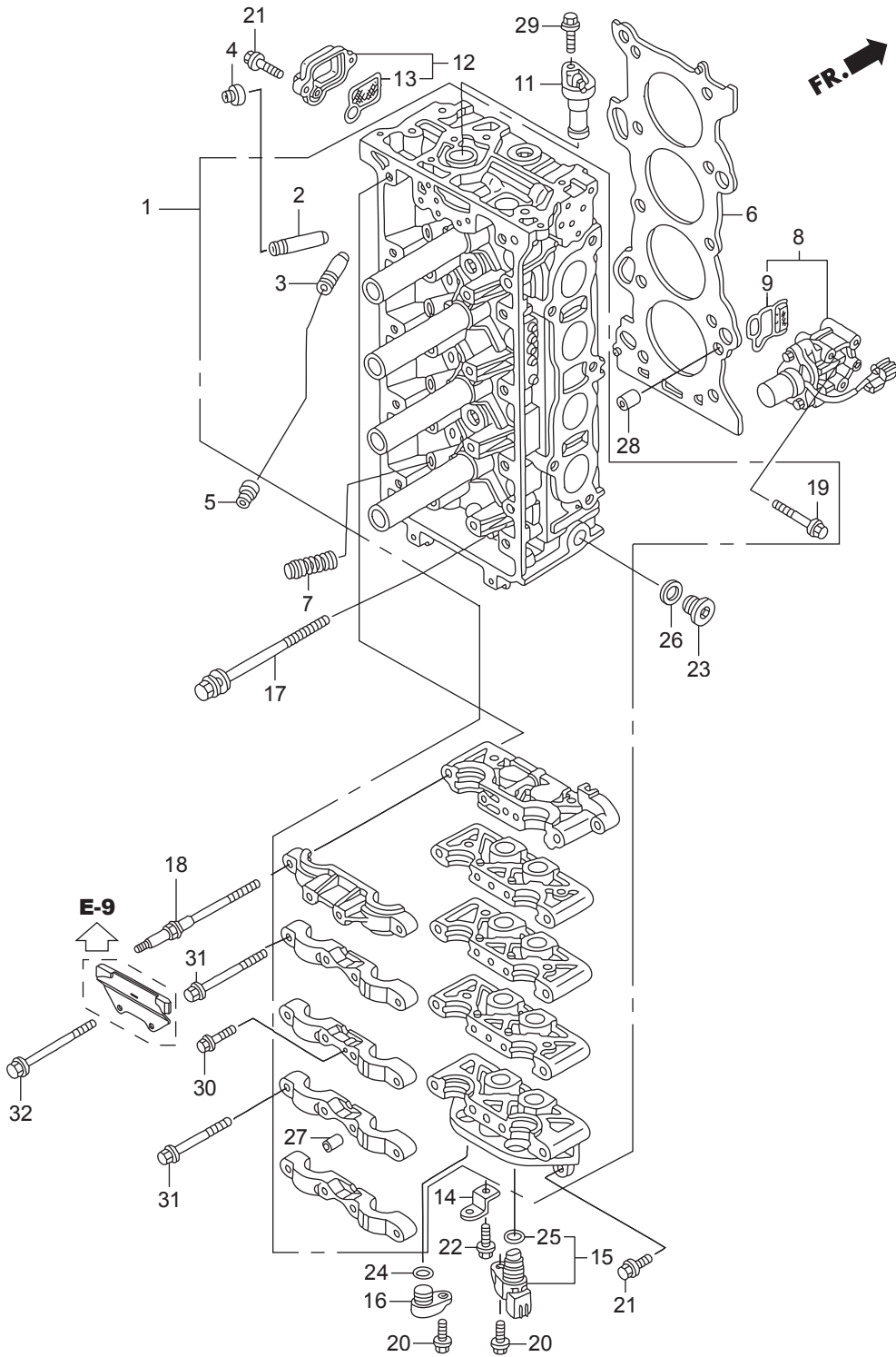
| Ref.No. | Part No. | Description      | Q' ty                           | Remarks |                               |
|---------|----------|------------------|---------------------------------|---------|-------------------------------|
|         |          |                  | BFT150A                         |         |                               |
| E-9-10  | 1        | HZY6-11410-425ZA | CASE ASSY.,CHAIN                | 1       | *NH8* DARK GRAY<br># 1034402~ |
| E-9-10  | 2        | HZY6-11412-000   | COVER, CHAIN CASE               | 1       |                               |
| E-9-10  | 3        | HZY3-19300-023   | THERMOSTAT ASSY.                | 1       |                               |
| E-9-10  | 4        | HZY6-19300-003   | THERMOSTAT ASSY.                | 1       |                               |
| E-9-10  | 5        | HZY6-06191-000   | SPACER KIT, THERMOSTAT COVER    | 1       |                               |
| E-9-10  | 6        | HZY6-19315-010   | COVER, THERMOSTAT               | 1       |                               |
| E-9-10  | 7        | HZY6-19318-010   | PACKING, THERMOSTAT COVER       | 1       |                               |
| E-9-10  | 8        |                  |                                 |         |                               |
| E-9-10  | 9        | HZY6-32112-000   | BRACKET B, HARNESS CLIP         | 1       |                               |
| E-9-10  | 10       | HZY6-32113-000   | BRACKET C, HARNESS CLIP         | 1       |                               |
| E-9-10  | 11       | HZW5-35673-003   | SENSOR ASSY., WATER TEMPERATURE | 1       |                               |
| E-9-10  | 12       | HZY3-35673-003   | SENSOR ASSY., WATER TEMPERATURE | 1       |                               |
| E-9-10  | 13       | HPNB-37500-003   | SENSOR ASSY., CRANK             | 1       |                               |
| E-9-10  | 14       | HZW9-90011-000   | BOLT, FLANGE, 6X14(CT200)       | 5       |                               |
| E-9-10  | 15       | HZY3-90016-000   | BOLT, FLANGE, 6X28              | 13      |                               |
| E-9-10  | 16       | HZY3-90017-000   | BOLT, FLANGE, 6X16              | 1       |                               |
| E-9-10  | 17       | HZY3-90021-000   | BOLT, FLANGE, 6X14              | 3       |                               |
| E-9-10  | 18       | HZY6-90023-000   | BOLT, SPECIAL, 6X31             | 2       |                               |
| E-9-10  | 19       | HZY3-90040-000   | BOLT, FLANGE, 10X43             | 2       |                               |
| E-9-10  | 20       | HZY6-90059-000   | BOLT, FLANGE, 6X38              | 1       |                               |
| E-9-10  | 21       | HZW4-90162-000   | BOLT, FLANGE, 10X70             | 1       |                               |
| E-9-10  | 22       | HPNC-91212-004   | OIL SEAL, 43X58X7(ARAI)         | 1       |                               |
| E-9-10  | 23       | HPNA-91302-004   | O-RING, CHAIN CASE              | 1       |                               |
| E-9-10  | 24       | HZY6-91304-010   | PACKING, CHAIN CASE             | 1       |                               |
| E-9-10  | 25       | HPK2-91307-005   | O-RING, 9.5X1.5(HONDA KIKAKI)   | 1       |                               |
| E-9-10  | 26       | HPNA-91307-003   | O-RING, 9.5X1.9                 | 1       |                               |
| E-9-10  | 27       | HPNA-91333-003   | O-RING, 15X1.9                  | 1       |                               |
| E-9-10  | 28       | HSP0-91546-A01   | CLAMP, 18.5MM                   | 1       |                               |
| E-9-10  | 29       | HZW9-19303-003   | RUBBER RING                     | 2       |                               |







| Ref.No. | Part No. | Description      | Q' ty                       | Remarks |                 |
|---------|----------|------------------|-----------------------------|---------|-----------------|
|         |          |                  | BFT150A                     |         |                 |
| E-9-20  | 1        | HZY6-06122-010ZA | HEAD KIT, CYLINDER          | 1       | *NH8* DARK GRAY |
| E-9-20  | 2        | HPNA-12204-305   | GUIDE, IN. VALVE(OS)        | 8       |                 |
| E-9-20  | 3        | HPNA-12205-305   | GUIDE, EX. VALVE(OS)        | 8       |                 |
| E-9-20  | 4        | HPZ1-12210-003   | SEAL A, VALVE STEM(ARAI)    | 8       |                 |
| E-9-20  | 4        | HPZ1-12210-004   | SEAL A, VALVE STEM(NOK)     | 8       |                 |
| E-9-20  | 5        | HPZ1-12211-003   | SEAL B, VALVE STEM(ARAI)    | 8       |                 |
| E-9-20  | 5        | HPZ1-12211-004   | SEAL B, VALVE STEM(NOK)     | 8       |                 |
| E-9-20  | 6        | HZY6-12251-003   | GASKET COMP., CYLINDER HEAD | 1       |                 |
| E-9-20  | 7        | HPNA-14820-013   | MOTION COMP., LOST          | 4       |                 |
| E-9-20  | 8        | HZY6-15810-013ZA | VALVE ASSY., SPOOL          | 1       | *NH8* DARK GRAY |
| E-9-20  | 9        | HRAA-15815-A02   | FILTER ASSY., SPOOL VALVE   | 1       |                 |
| E-9-20  | 11       | HZY6-15834-000   | PLUG, VTC HOLE              | 1       |                 |
| E-9-20  | 12       | HZY6-15840-000ZA | STRAINER ASSY., VTC         | 1       | *NH8* DARK GRAY |
| E-9-20  | 13       | HRAA-15845-A01   | FILTER ASSY., VTC           | 1       |                 |
| E-9-20  | 14       | HZY6-32116-000   | BRACKET F, CLIP             | 1       |                 |
| E-9-20  | 15       | HPNB-37510-003   | SENSOR ASSY., TDC           | 1       |                 |
| E-9-20  | 16       | HZY6-37521-000   | PLUG, TDC HOLE              | 1       |                 |
| E-9-20  | 17       | HPNA-90005-003   | BOLT-WASHER, 11X155         | 10      |                 |
| E-9-20  | 18       | HPNA-90011-003   | BOLT A, HEAD COVER          | 6       |                 |
| E-9-20  | 19       | HZY6-90011-000   | BOLT, FLANGE, 6X52          | 3       |                 |
| E-9-20  | 20       | HZY3-90017-000   | BOLT, FLANGE, 6X16          | 2       |                 |
| E-9-20  | 21       | HZW5-90018-000   | BOLT, FLANGE, 6X20          | 4       |                 |
| E-9-20  | 22       | HZY3-90021-000   | BOLT, FLANGE, 6X14          | 1       |                 |
| E-9-20  | 23       | HZY6-90048-010   | BOLT, SEALING, 20MM         | 1       |                 |
| E-9-20  | 24       | HZY6-91303-003   | O-RING, 15X1.9              | 1       |                 |
| E-9-20  | 25       | HPNA-91333-003   | O-RING, 15X1.9              | 1       |                 |
| E-9-20  | 26       | HCO-94109-20000  | WASHER, DRAIN PLUG, 20MM    | 1       |                 |
| E-9-20  | 27       | HCO-94301-10160  | DOWEL PIN, 10X16            | 20      |                 |
| E-9-20  | 28       | HCO-94301-14200  | DOWEL PIN, 14X20            | 2       |                 |

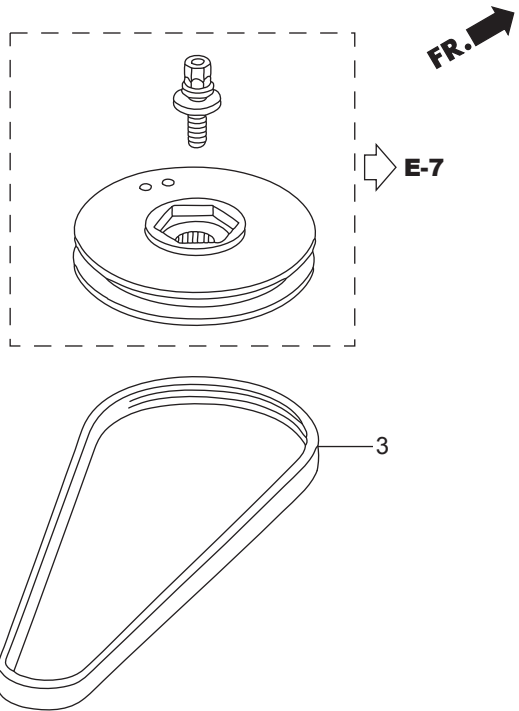
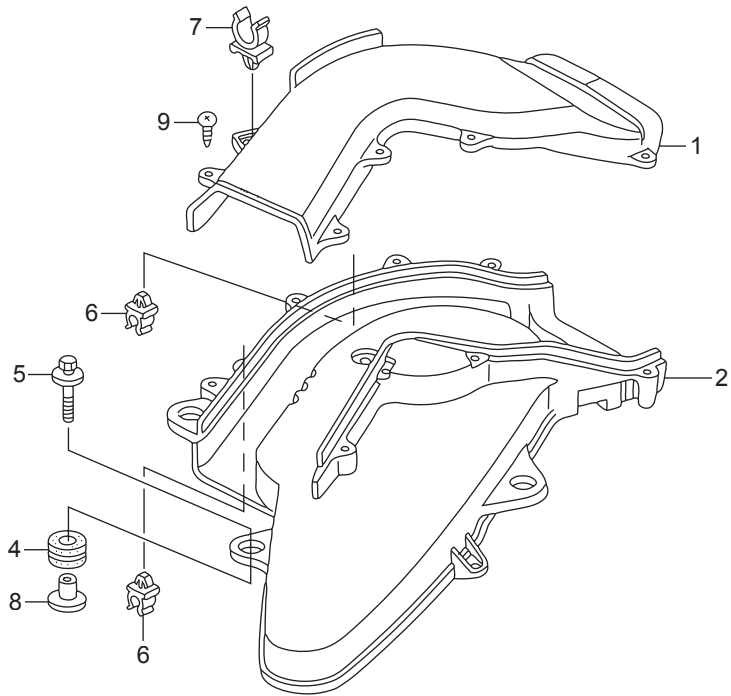








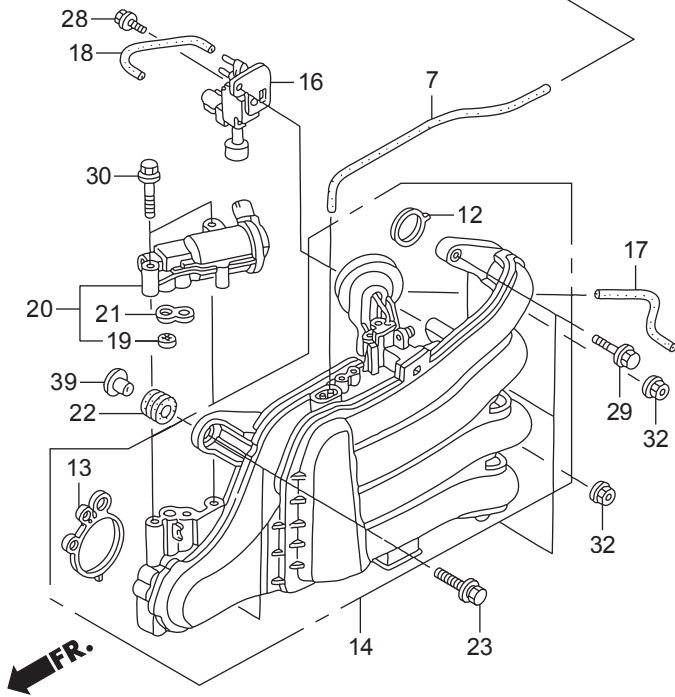
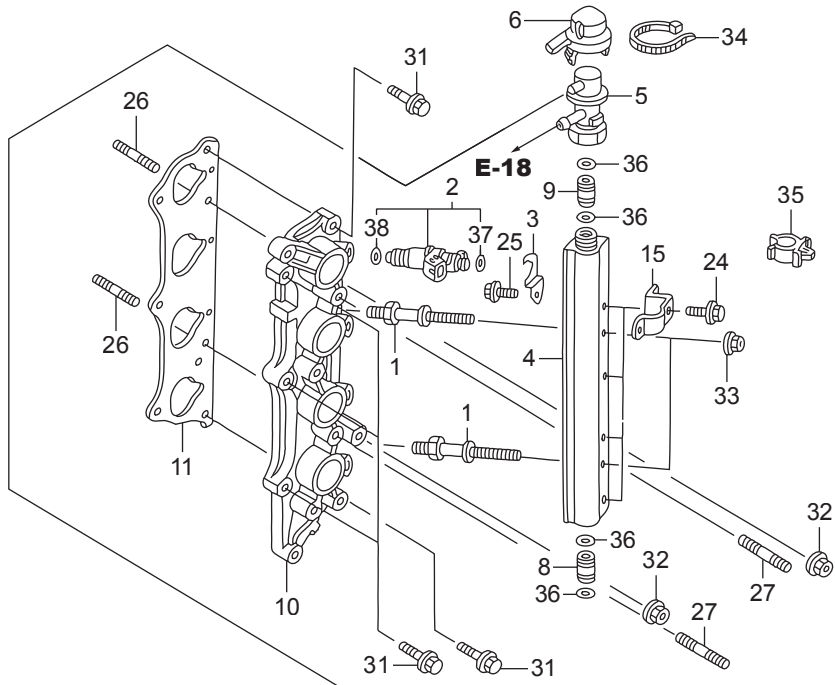






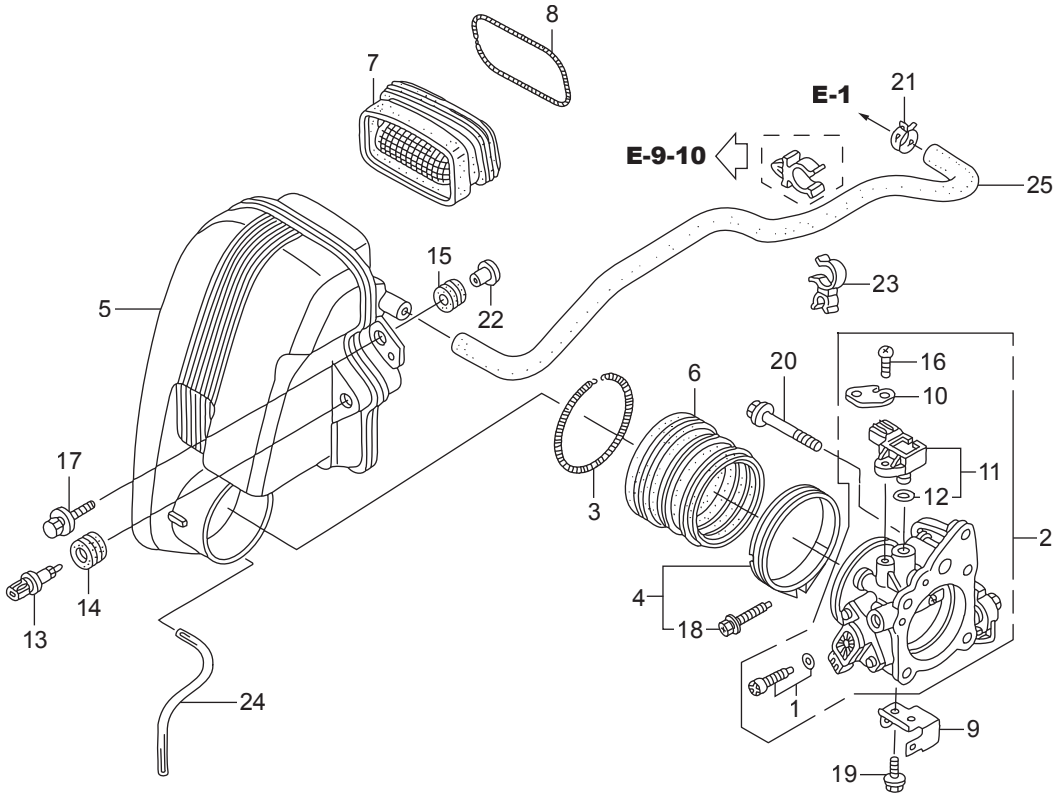


| Ref.No. | Part No. | Description      | Q' ty                                      | Remarks |                 |
|---------|----------|------------------|--|---------|-----------------|
|         |          |                  | BFT150A                                    |         |                 |
| E-14    | 1        | HZY6-16089-000   | BOLT, FUEL PIPE                            | 2       |                 |
| E-14    | 2        | HZY6-16450-003   | INJECTOR ASSY., FUEL                       | 4       |                 |
| E-14    | 3        | HZY6-16451-000   | CLIP, INJECTOR                             | 4       |                 |
| E-14    | 4        | HZY6-16621-000   | LINE, FUEL                                 | 1       |                 |
| E-14    | 5        | HZY6-16740-003   | REGULATOR ASSY., PRESSURE                  | 1       |                 |
| E-14    | 6        | HZY6-16744-010   | CAP, REGULATOR                             | 1       |                 |
| E-14    | 7        | HZY6-16748-000   | TUBE, PRESSURE REGULATOR CONTROL           | 1       |                 |
| E-14    | 8        | HZY3-16752-000   | JOINT, FUEL PIPE                           | 1       |                 |
| E-14    | 9        | HZY6-16752-000   | JOINT, FUEL PIPE                           | 1       |                 |
| E-14    | 10       | HZY6-17051-000ZA | BASE, INJECTOR                             | 1       | *NH8* DARK GRAY |
| E-14    | 11       | HPNA-17055-004   | GASKET A, INJECTOR BASE                    | 1       |                 |
| E-14    | 12       | HZY6-17105-000   | PACKING, INTAKE MANIFOLD                   | 4       |                 |
| E-14    | 13       | HZY6-17109-000   | PACKING, THROTTLE BODY                     | 1       |                 |
| E-14    | 14       | HZY6-17110-003   | MANIFOLD COMP., INTAKE                     | 1       |                 |
| E-14    | 15       | HZY6-32111-000   | BRACKET A, HARNESS CLIP                    | 4       |                 |
| E-14    | 16       | HZY3-36163-003   | VALVE ASSY., AIR BYPASS                    | 1       |                 |
| E-14    | 17       | HZY6-36364-000   | TUBE, DIAPHRAGM                            | 1       |                 |
| E-14    | 18       | HZY6-36366-000   | TUBE, BYPASS SOLENOID                      | 1       |                 |
| E-14    | 19       | HPS4-36454-003   | FILTER COMP., ELECTRONIC AIR CONTROL VALVE | 1       | (TOYO ROKI)     |
| E-14    | 20       | HZY6-36550-003   | VALVE ASSY., ELECTRONIC AIR CONTROL        | 1       |                 |
| E-14    | 21       | HZY6-36551-003   | PACKING, ELECTRONIC AIR CONTROL VALVE      | 1       |                 |
| E-14    | 22       | H121-51640-730   | RUBBER, FR. CARRIER CUSHION                | 2       |                 |
| E-14    | 23       | HZW1-90014-000   | BOLT-WASHER, 8X35                          | 2       |                 |
| E-14    | 24       | HZY3-90021-000   | BOLT, FLANGE, 6X14                         | 4       |                 |
| E-14    | 25       | HZY3-90042-000   | BOLT, FLANGE, 6X10                         | 4       |                 |
| E-14    | 26       | HZY6-90043-000   | BOLT, STUD 2, 8X25                         | 2       |                 |
| E-14    | 27       | HZY6-90047-000   | BOLT, STUD, 8X32                           | 2       |                 |
| E-14    | 28       | HZY6-90049-000   | BOLT, FLANGE, 5X12                         | 1       |                 |
| E-14    | 29       | HZY3-90054-000   | BOLT, FLANGE, 8X35                         | 3       |                 |







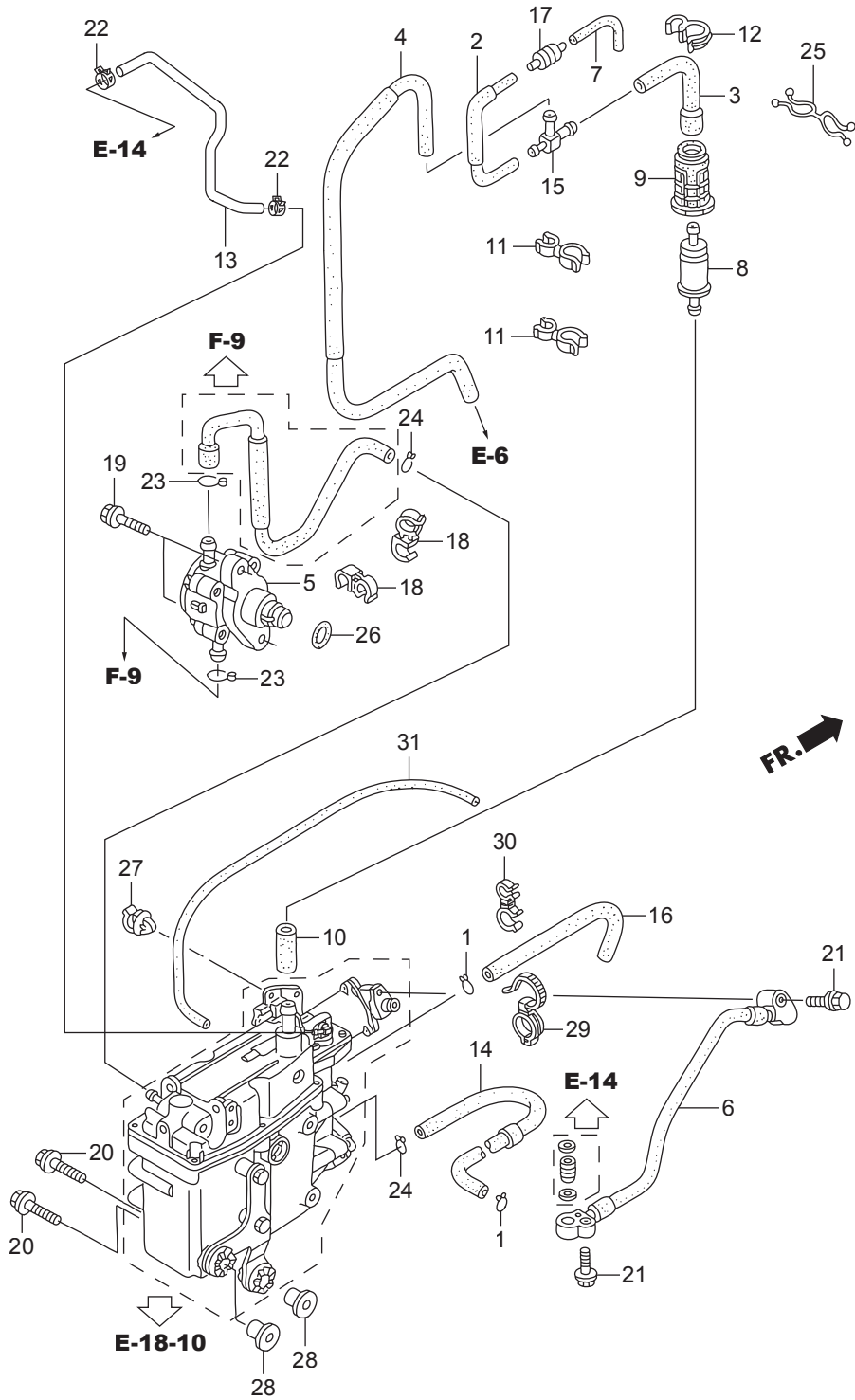


**FR.**

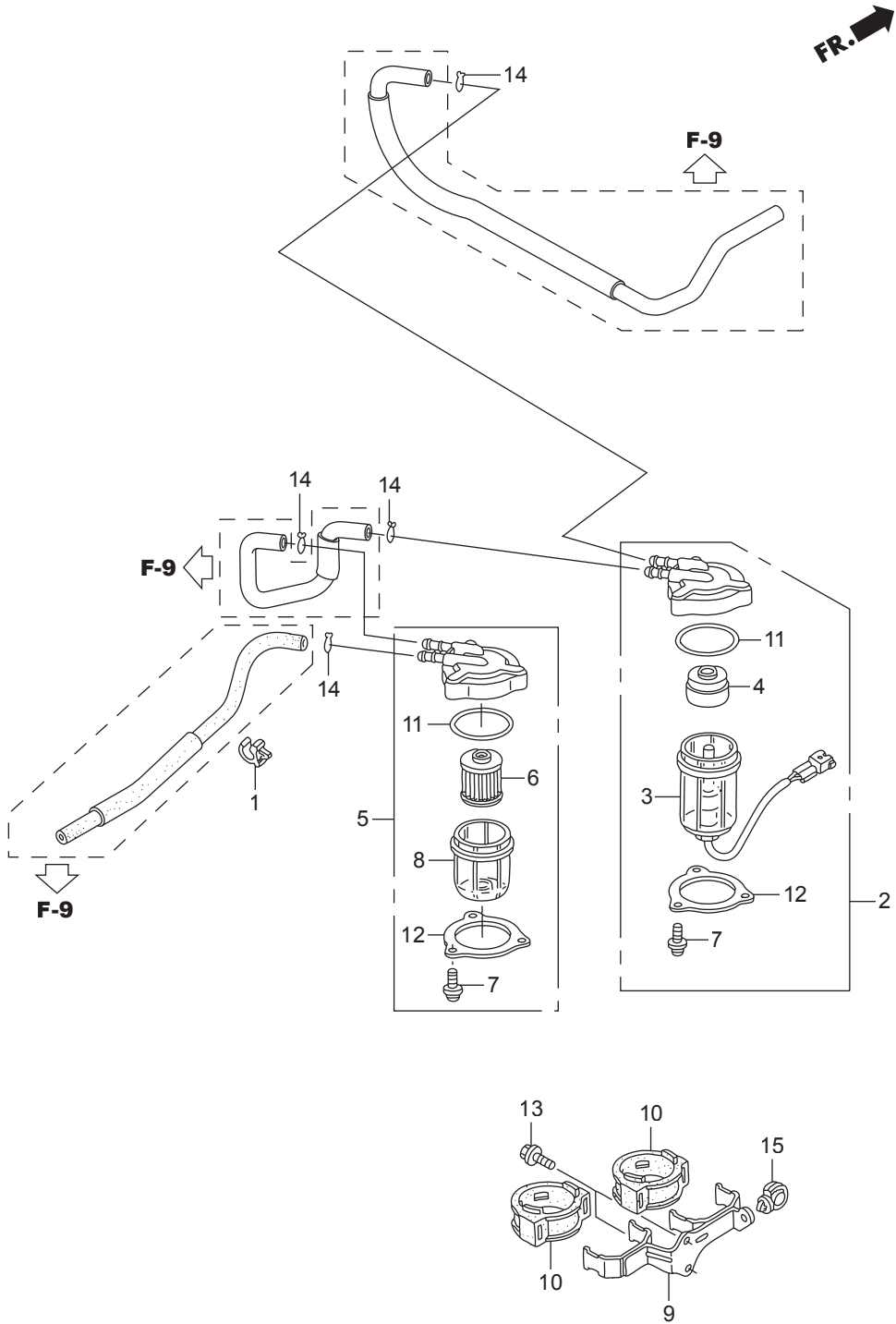
| Ref.No. | Part No. | Description        | Q' ty                         | Remarks |                      |
|---------|----------|--------------------|-------------------------------|---------|----------------------|
|         |          |                    | BFT150A                       |         |                      |
| E-15    | 1        | HZY6-16016-003     | SCREW SET                     | 1       |                      |
| E-15    | 2        | HZY6-16400-013     | THROTTLE BODY ASSY.           | 1       |                      |
| E-15    | 3        | HPY3-17249-000     | SPRING, AIR FLOW TUBE         | 1       |                      |
| E-15    | 4        | HZY9-17315-000     | BAND, AIR FLOW                | 1       |                      |
| E-15    | 5        | HZY6-17371-020     | CASE COMP., SILENCER          | 1       |                      |
| E-15    | 6        | HZY6-17374-000     | GROMMET, SILENCER             | 1       |                      |
| E-15    | 7        | HZY6-17397-013     | GROMMET, SILENCER DUCT        | 1       |                      |
| E-15    | 8        | HZY6-17398-000     | SPRING, SILENCER DUCT GROMMET | 1       |                      |
| E-15    | 9        | HZY6-32115-000     | BRACKET E, HARNESS CLIP       | 1       |                      |
| E-15    | 10       | HZY3-32128-000     | BRACKET, SENSOR CORD          | 1       |                      |
| E-15    | 11       | HRNA-37830-A01     | SENSOR ASSY., MAP             | 1       |                      |
| E-15    | 12       | HPGK-37835-A01     | O-RING                        | 1       |                      |
| E-15    | 13       | HPLC-37880-004     | SENSOR ASSY., AIR TEMP        | 1       | (MATSUSHITA DENSHI)  |
| E-15    | 14       | HP2A-37881-000     | GROMMET, TA SENSOR            | 1       |                      |
| E-15    | 15       | HZV5-40102-000     | GROMMET, UNDER CASE           | 3       |                      |
| E-15    | 16       | HZY6-90006-000     | SCREW, PAN, 5X18              | 1       |                      |
| E-15    | 17       | HZW1-90013-000     | BOLT-WASHER, 6X25             | 3       |                      |
| E-15    | 18       | HZY9-90017-000     | BOLT-WASHER, 5X30             | 1       |                      |
| E-15    | 19       | HZY3-90056-000     | BOLT, FLANGE, 6X12            | 1       |                      |
| E-15    | 20       | HZV1-90127-010     | BOLT, FLANGE, 8X60            | 4       |                      |
| E-15    | 21       | HZV3-90601-030     | CLAMP, TUBE(D17)              | 1       |                      |
| E-15    | 22       | HZV5-91553-010     | COLLAR, C.D.I. UNIT CASE      | 3       |                      |
| E-15    | 23       | HSF1-91595-003     | CLAMP, FUEL HOSE              | 1       |                      |
| E-15    | 24       | HCO-95003-07016-31 | TUBE, VINYL, 4X7X160          | 1       | (HC-95003-07001-60M) |
| E-15    | 25       | HCO-95005-12740-20 | TUBE, 12X740                  | 1       | (HC-95005-12001-20M) |
|         |          |                    |                               |         |                      |
|         |          |                    |                               |         |                      |
|         |          |                    |                               |         |                      |
|         |          |                    |                               |         |                      |



| Ref.No. | Part No. | Description    | Q' ty                           | Remarks |  |
|---------|----------|----------------|---------------------------------|---------|--|
|         |          |                | BFT150A                         |         |  |
| E-18    | 1        | HGHB-16163-610 | CLIP, TUBE                      | 2       |  |
| E-18    | 2        | HZY6-16196-000 | TUBE COMP. C, AIR VENT          | 1       |  |
| E-18    | 3        | HZY6-16198-000 | TUBE B, AIR VENT                | 1       |  |
| E-18    | 4        | HZY6-16199-000 | TUBE COMP., AIR VENT            | 1       |  |
| E-18    | 5        | HZY6-16700-013 | PUMP ASSY., FUEL                | 1       |  |
| E-18    | 6        | HZY6-16755-003 | HOSE COMP., FUEL                | 1       |  |
| E-18    | 7        | HZV5-16881-000 | TUBE D, FUEL                    | 1       |  |
| E-18    | 8        | H759-16911-003 | STRAINER, FUEL PUMP             | 1       |  |
| E-18    | 9        | HZW5-16915-000 | SUSPENSION, STRAINER            | 1       |  |
| E-18    | 10       | HMZ5-16952-000 | TUBE B, FUEL                    | 1       |  |
| E-18    | 11       | HVM0-16965-771 | CLAMP, HOSE                     | 2       |  |
| E-18    | 12       | HKV7-17368-671 | CLAMP, PIPE                     | 1       |  |
| E-18    | 13       | HZY6-17723-020 | HOSE, PRESSURE REGULATOR RETURN | 1       |  |
| E-18    | 14       | HZY6-19267-010 | TUBE F, WATER                   | 1       |  |
| E-18    | 15       | HZY6-19269-000 | T-JOINT                         | 1       |  |
| E-18    | 16       | HZY6-19273-000 | TUBE G, WATER                   | 1       |  |
| E-18    | 17       | HZY6-36135-003 | VALVE, CHECK                    | 1       |  |
| E-18    | 18       | HSE0-53740-953 | CLIP, SENSOR HOSE               | 2       |  |
| E-18    | 19       | HZY6-90010-000 | BOLT, FLANGE, 6X27              | 2       |  |
| E-18    | 20       | HZW1-90014-000 | BOLT-WASHER, 8X35               | 2       |  |
| E-18    | 21       | HZW9-90016-000 | BOLT, FLANGE, 6X25              | 2       |  |
| E-18    | 22       | HZW5-90601-030 | CLAMP, TUBE(D10.7)              | 2       |  |
| E-18    | 23       | HZY6-90601-000 | CLIP, TUBE(B1 14.5)             | 2       |  |
| E-18    | 24       | HZV0-90604-000 | CLIP, TUBE(B12)                 | 2       |  |
| E-18    | 25       | HZY6-90605-003 | CLIP, FUEL HOSE                 | 1       |  |
| E-18    | 26       | HPA9-91317-003 | O-RING, 33.2X2.4(NOK)           | 1       |  |
| E-18    | 27       | HSE0-91547-003 | CLIP, HARNESS                   | 1       |  |
| E-18    | 28       | HZW1-91554-000 | COLLAR, 8.5X14.5                | 2       |  |
| E-18    | 29       | HSM4-91558-003 | CLIP, TUBE(BLACK)(135MM)        | 1       |  |



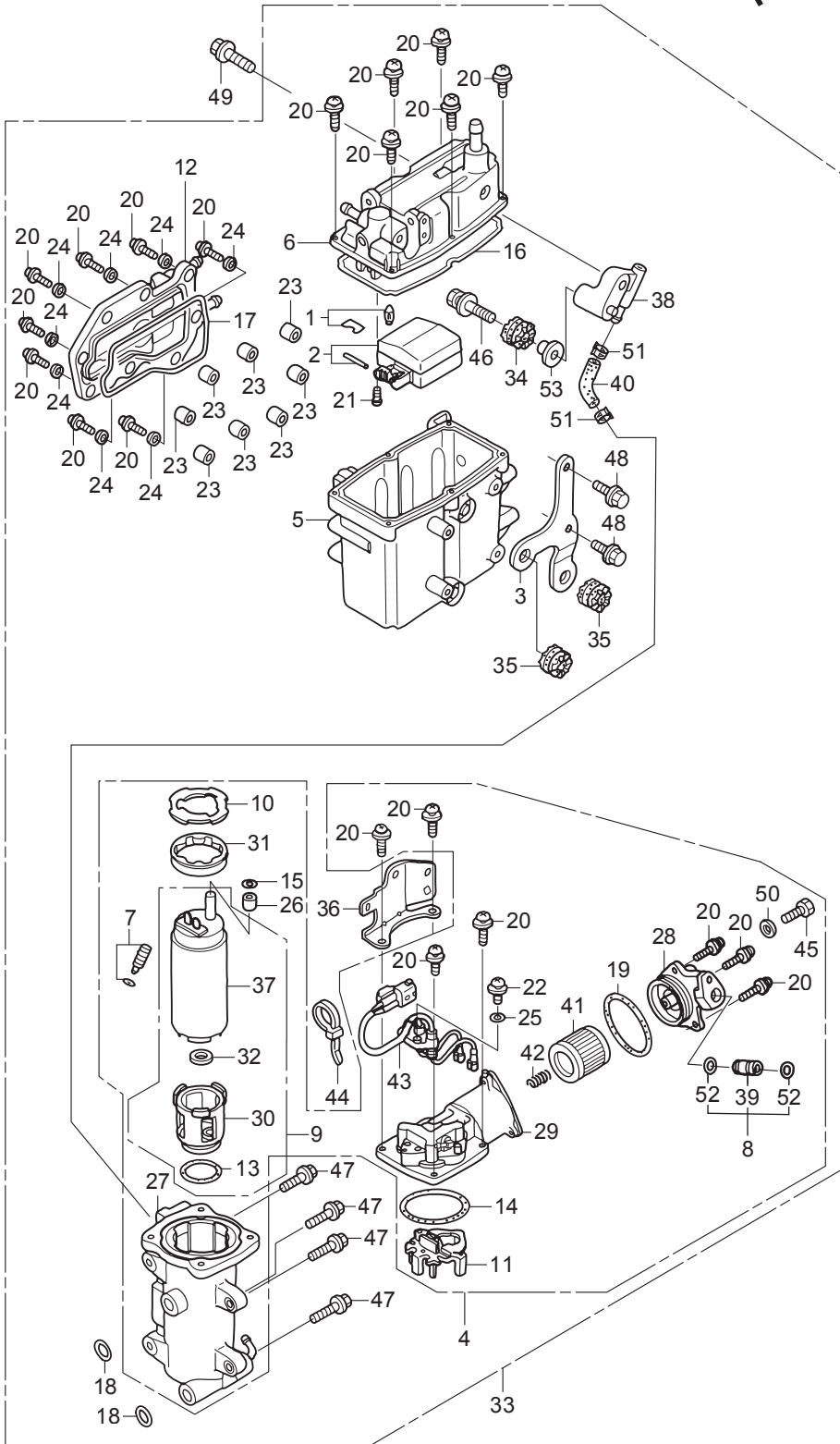






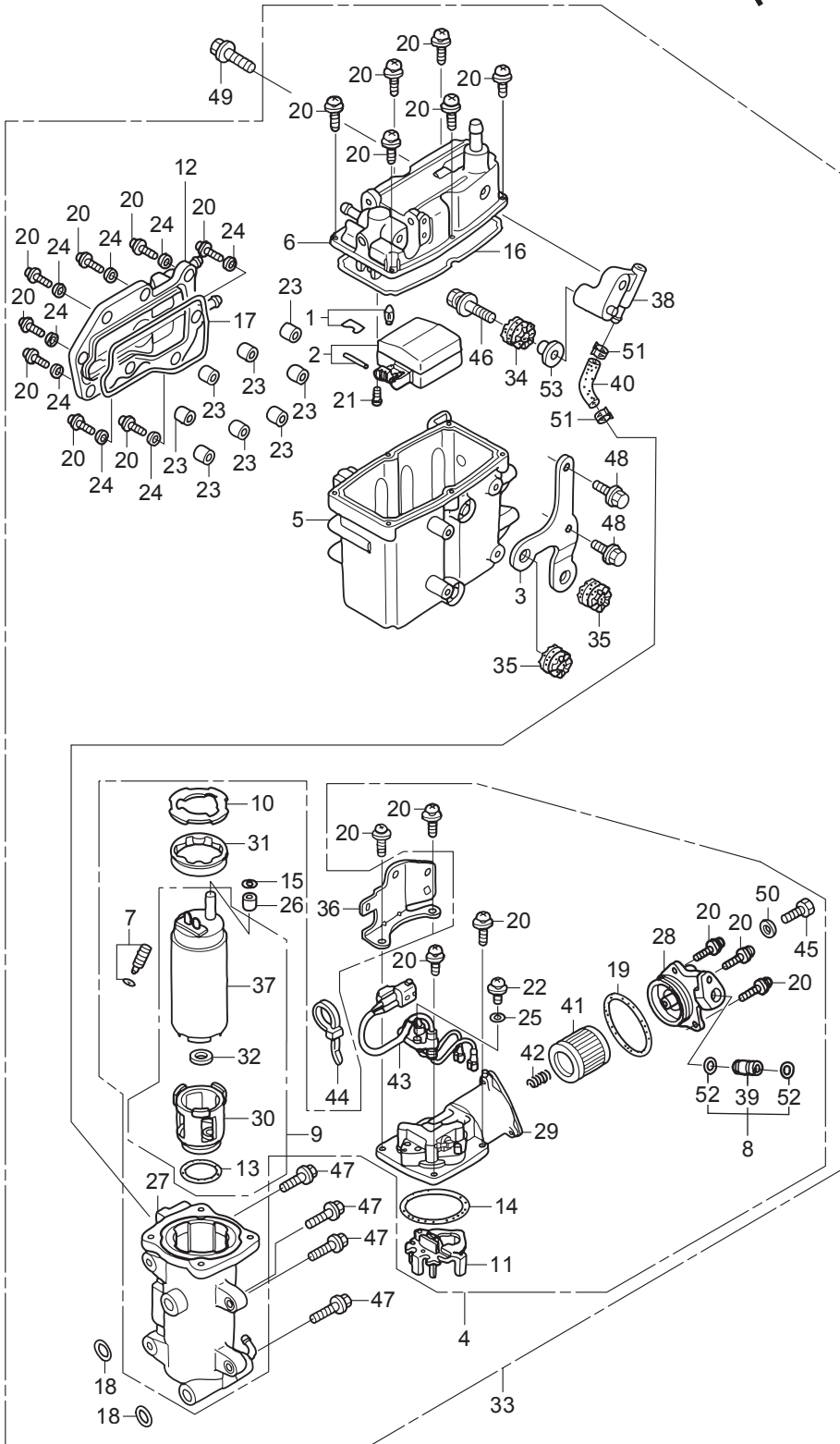


FR. 



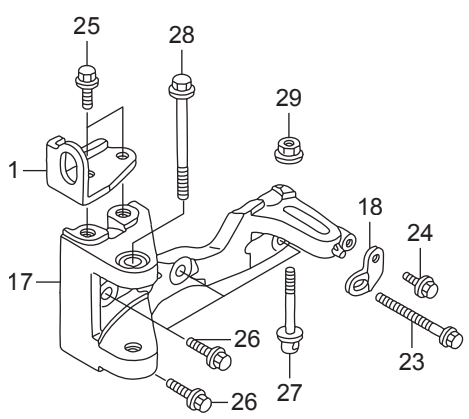
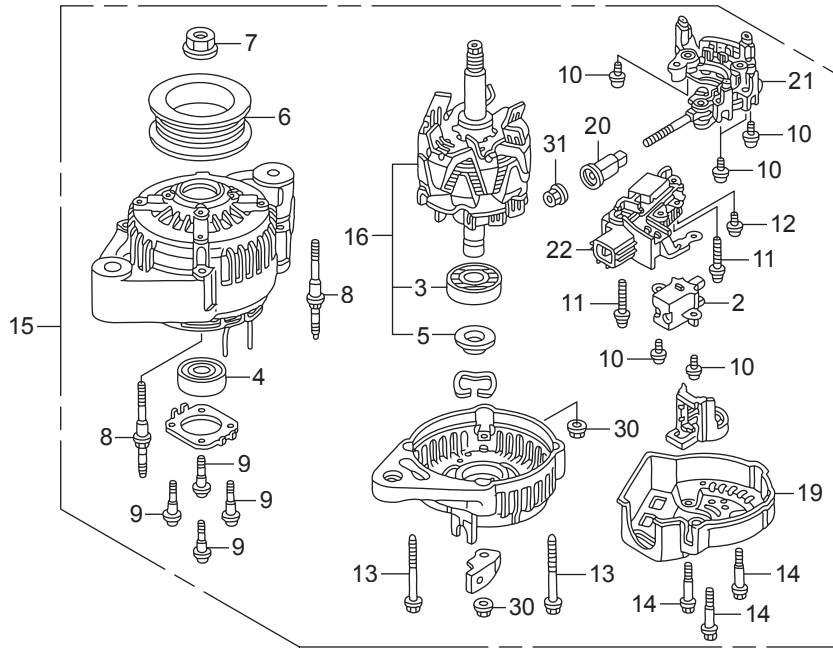
| Ref.No. | Part No. | Description    | Q' ty               | Remarks |  |
|---------|----------|----------------|---------------------|---------|--|
|         |          |                | BFT150A             |         |  |
| E-18-10 | 1        | HZY3-16011-000 | VALVE SET, FLOAT    | 1       |  |
| E-18-10 | 2        | HZY3-16013-000 | FLOAT SET           | 1       |  |
| E-18-10 | 3        | HZY6-16014-003 | STAY A, PLATE       | 1       |  |
| E-18-10 | 4        | HZY6-16017-043 | PUMP UNIT, FUEL     | 1       |  |
| E-18-10 | 5        | HZY6-16019-003 | BODY COMP., CHAMBER | 1       |  |
| E-18-10 | 6        | HZY6-16020-023 | COVER COMP.         | 1       |  |
| E-18-10 | 7        | HZY3-16024-000 | SCREW SET, DRAIN    | 1       |  |
| E-18-10 | 8        | HZY3-16026-000 | JOINT SET           | 1       |  |
| E-18-10 | 9        | HZY6-16036-003 | PUMP UNIT, FUEL(B)  | 1       |  |
| E-18-10 | 10       | HZY3-16041-000 | PLATE               | 1       |  |
| E-18-10 | 11       | HZY3-16042-000 | HOLDER              | 1       |  |
| E-18-10 | 12       | HZY3-16061-000 | COVER, WATER JACKET | 1       |  |
| E-18-10 | 13       | HZY3-16072-000 | O-RING              | 1       |  |
| E-18-10 | 14       | HZY3-16073-000 | O-RING              | 1       |  |
| E-18-10 | 15       | HZY3-16074-000 | O-RING              | 1       |  |
| E-18-10 | 16       | HZY3-16075-000 | O-RING              | 1       |  |
| E-18-10 | 17       | HZY3-16076-000 | O-RING              | 1       |  |
| E-18-10 | 18       | HZY3-16077-000 | O-RING              | 2       |  |
| E-18-10 | 19       | HZY3-16078-000 | O-RING              | 1       |  |
| E-18-10 | 20       | HZW5-16081-010 | SCREW-WASHER        | 21      |  |
| E-18-10 | 21       | HZY3-16082-000 | SCREW, PAN          | 2       |  |
| E-18-10 | 22       | HZY3-16083-000 | SCREW, WASHER       | 1       |  |
| E-18-10 | 23       | HZW5-16086-000 | COLLAR              | 8       |  |
| E-18-10 | 24       | HZW5-16087-000 | WASHER, PLAIN       | 8       |  |
| E-18-10 | 25       | HZY3-16087-000 | WASHER, PLAIN       | 1       |  |
| E-18-10 | 26       | HZY3-16088-000 | COLLAR              | 1       |  |
| E-18-10 | 27       | HZY6-16701-003 | CASE COMP., PUMP    | 1       |  |
| E-18-10 | 28       | HZW5-16708-003 | COVER, PUMP(B)      | 1       |  |
| E-18-10 | 29       | HZW5-16715-023 | COVER, PUMP(A)      | 1       |  |

FR. 



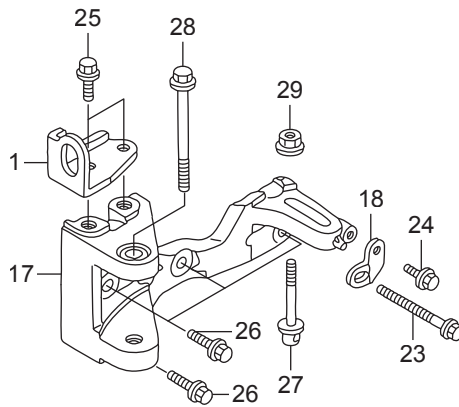
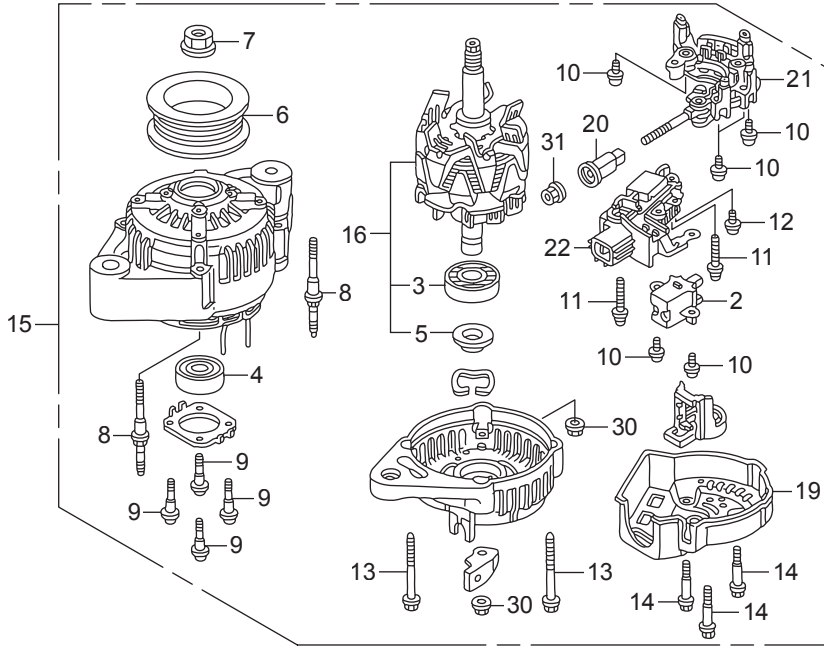
| Ref.No. | Part No. | Description    | Q' ty                       | Remarks |  |
|---------|----------|----------------|-----------------------------|---------|--|
|         |          |                | BFT150A                     |         |  |
| E-18-10 | 30       | HZY6-16718-013 | INSULATOR COMP.             | 1       |  |
| E-18-10 | 31       | HZY3-16721-000 | INSULATOR                   | 1       |  |
| E-18-10 | 32       | HZY6-16723-003 | RING                        | 1       |  |
| E-18-10 | 33       | HZY6-16730-063 | SEPARATOR ASSY., VAPOR      | 1       |  |
| E-18-10 | 34       | HZW5-16733-000 | GROMMET, VAPOR SEPARATOR    | 1       |  |
| E-18-10 | 35       | HZY3-16733-000 | GROMMET, VAPOR SEPARATOR    | 2       |  |
| E-18-10 | 36       | HZY6-16734-003 | STAY, PLATE                 | 1       |  |
| E-18-10 | 37       | HZW5-16735-003 | PUMP UNIT, FUEL             | 1       |  |
| E-18-10 | 38       | HZY6-16736-003 | STAY, VAPOR SEPARATOR       | 1       |  |
| E-18-10 | 39       | HZY3-16752-000 | JOINT, FUEL PIPE            | 1       |  |
| E-18-10 | 40       | HZY6-16840-A00 | TUBE F, FUEL                | 1       |  |
| E-18-10 | 41       | HZY3-16911-010 | SCREEN COMP., FUEL STRAINER | 1       |  |
| E-18-10 | 42       | HZY3-16913-000 | SPRING, SET                 | 1       |  |
| E-18-10 | 43       | HZY6-32166-003 | HARNESS COMP.               | 1       |  |
| E-18-10 | 44       | HZW5-32168-003 | BAND                        | 1       |  |
| E-18-10 | 45       | HPP4-90009-E01 | BOLT, SEALING, 6MM          | 1       |  |
| E-18-10 | 46       | HZW1-90014-000 | BOLT-WASHER, 8X35           | 1       |  |
| E-18-10 | 47       | HZW9-90016-000 | BOLT, FLANGE, 6X25          | 4       |  |
| E-18-10 | 48       | HZY3-90017-000 | BOLT, FLANGE, 6X16          | 2       |  |
| E-18-10 | 49       | HZY3-90049-000 | BOLT, FLANGE, 8X30          | 1       |  |
| E-18-10 | 50       | HPD6-90430-003 | WASHER, SEALING, 6MM        | 1       |  |
| E-18-10 | 51       | HZY6-90607-000 | CLAMP, TUBE(8.0)            | 2       |  |
| E-18-10 | 52       | HMJ0-91301-003 | O-RING, 7.8X1.9(ARAI)       | 2       |  |
| E-18-10 | 53       | HZW1-91554-000 | COLLAR, 8.5X14.5            | 1       |  |
|         |          |                |                             |         |  |
|         |          |                |                             |         |  |
|         |          |                |                             |         |  |
|         |          |                |                             |         |  |
|         |          |                |                             |         |  |
|         |          |                |                             |         |  |

FR. 



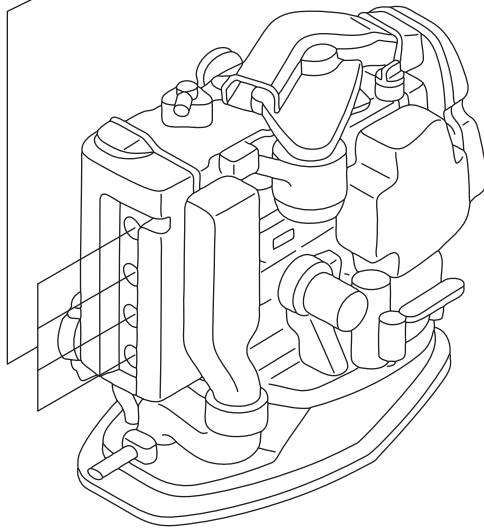
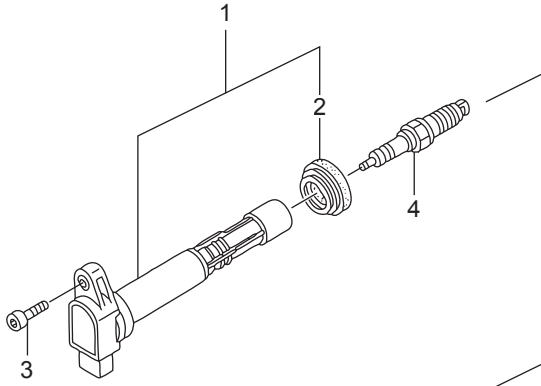
| Ref.No. | Part No. | Description    | Q' ty                         | Remarks |           |
|---------|----------|----------------|-------------------------------|---------|-----------|
|         |          |                | BFT150A                       |         |           |
| E-19    | 1        | HZY6-11912-000 | HANGER B, ENGINE              | 1       |           |
| E-19    | 2        | HPZ1-31105-003 | HOLDER ASSY., BRUSH           | 1       |           |
| E-19    | 3        | HPJ7-31111-013 | BEARING, RR.                  | 1       |           |
| E-19    | 4        | HPJ7-31114-013 | BEARING, FR.                  | 1       |           |
| E-19    | 5        | HPD1-31138-004 | COVER, BEARING                | 1       |           |
| E-19    | 6        | HP64-31141-003 | PULLEY                        | 1       |           |
| E-19    | 7        | HPD1-31142-004 | NUT, PULLEY LOCK              | 1       |           |
| E-19    | 8        | HPE9-31145-941 | BOLT, STUD                    | 2       |           |
| E-19    | 9        | HPJ7-31146-003 | SCREW                         | 4       |           |
| E-19    | 10       | HPT0-31147-003 | SCREW-WASHER                  | 6       |           |
| E-19    | 11       | HPD1-31148-004 | SCREW-WASHER, 4X25            | 2       |           |
| E-19    | 12       | HPZ1-31149-003 | SCREW                         | 1       |           |
| E-19    | 13       | HPE9-31152-942 | BOLT-WASHER                   | 2       |           |
| E-19    | 14       | HPZ1-31153-003 | BOLT                          | 3       |           |
| E-19    | 15       | HZY6-31630-003 | GENERATOR ASSY., A.C.         | 1       | #~1032687 |
| E-19    | 15       | HZY6-31630-013 | GENERATOR ASSY., A.C.         | 1       | #1032688~ |
| E-19    | 16       | HZW5-31631-003 | ROTOR ASSY.                   | 1       |           |
| E-19    | 17       | HZY6-31636-010 | BRACKET COMP., A.C. GENERATOR | 1       |           |
| E-19    | 18       | HZY6-31637-000 | STAY, A.C. GENERATOR          | 1       |           |
| E-19    | 19       | HZW5-31639-003 | END COVER, RR.                | 1       |           |
| E-19    | 20       | HZW5-31644-003 | BUSH, INSULATION              | 1       |           |
| E-19    | 21       | HZW5-31710-003 | RECTIFIER ASSY.               | 1       |           |
| E-19    | 22       | HZY6-31750-003 | REGULATOR ASSY.               | 1       |           |
| E-19    | 23       | HZW5-90011-010 | BOLT, SPECIAL ADJUSTER        | 1       |           |
| E-19    | 24       | HZY3-90017-000 | BOLT, FLANGE, 6X16            | 1       |           |
| E-19    | 25       | HZY3-90026-000 | BOLT, FLANGE, 8X20            | 2       |           |
| E-19    | 26       | HZY3-90035-000 | BOLT, FLANGE, 8X28            | 4       |           |
| E-19    | 27       | HZY3-90055-000 | BOLT, TENSIONER               | 1       |           |
| E-19    | 28       | HZW4-90163-000 | BOLT, FLANGE, 10X80           | 1       |           |

FR. 



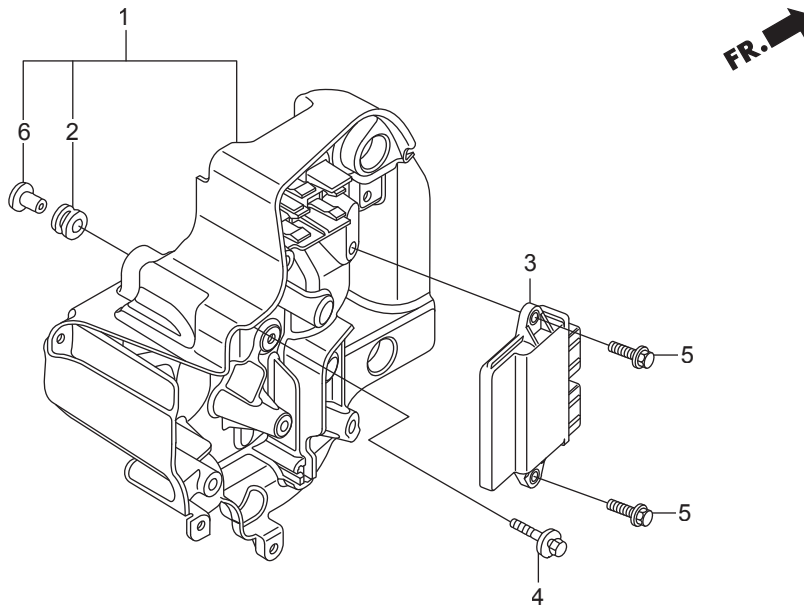






**FR.** →

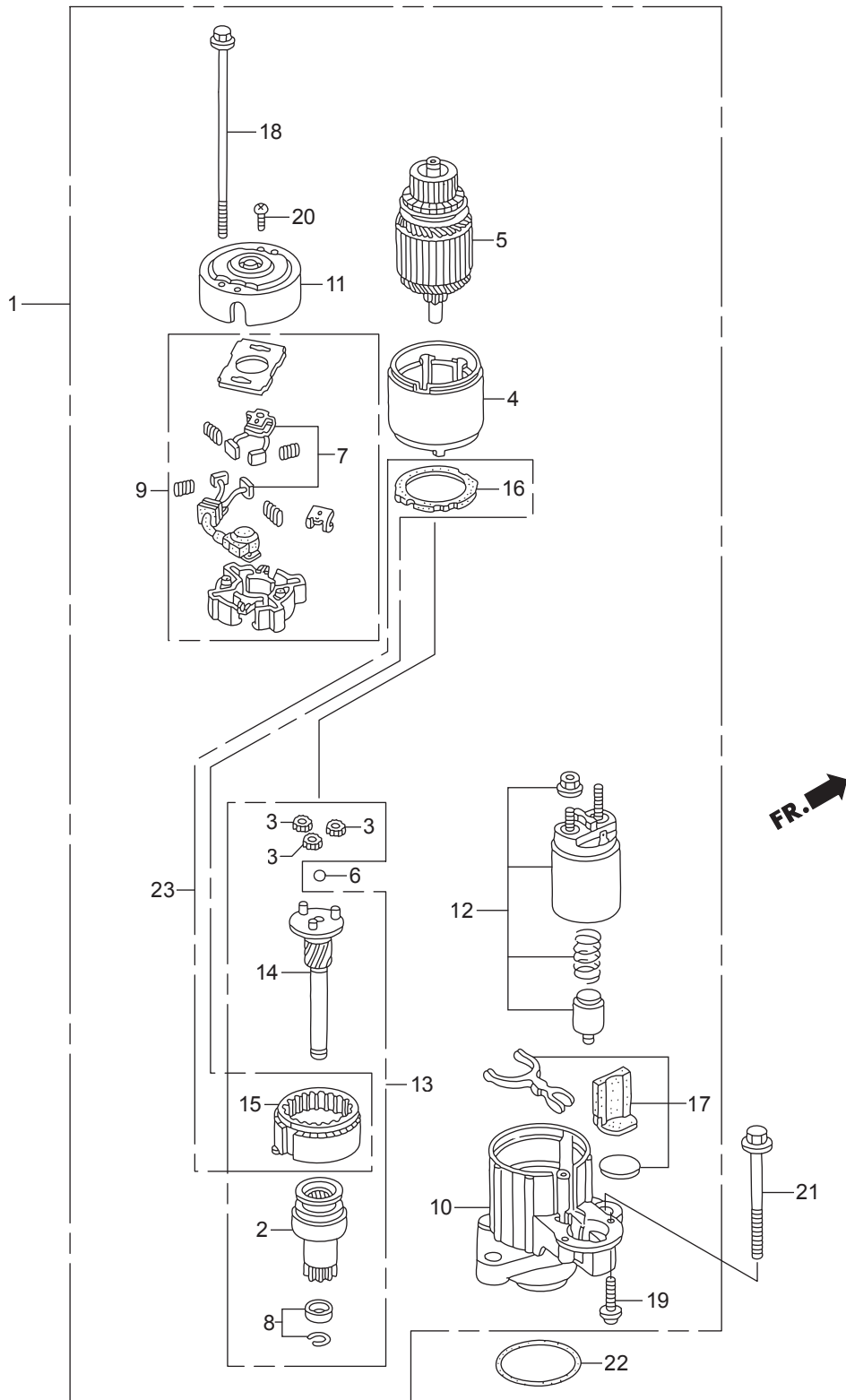






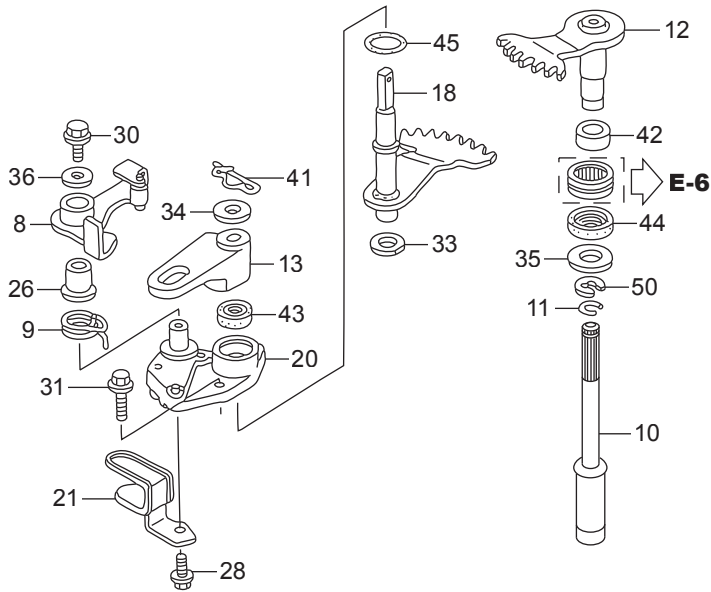
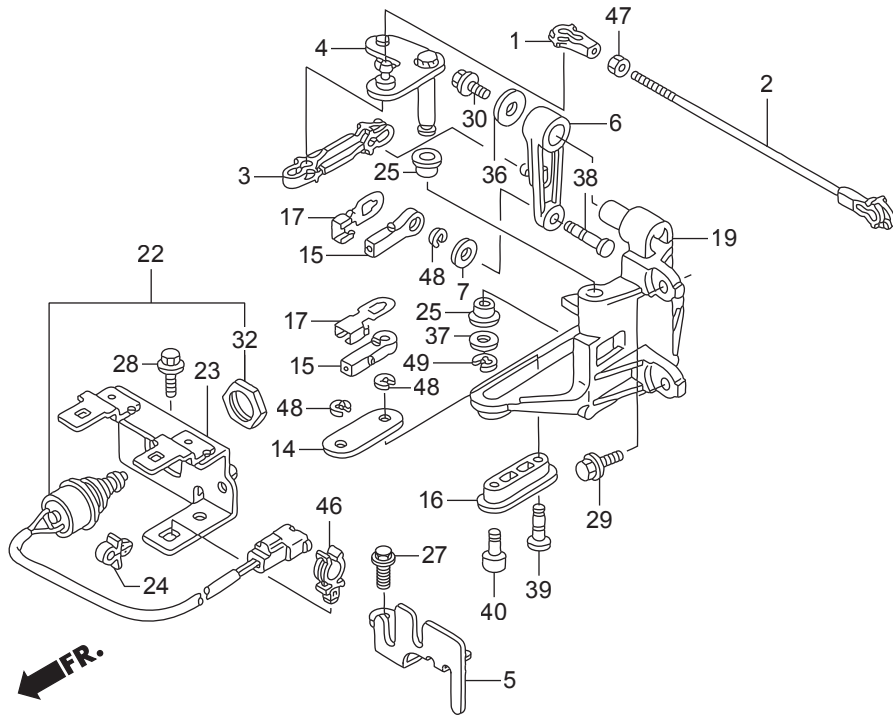


| Ref.No. | Part No. | Description    | Q' ty                     | Remarks |                        |
|---------|----------|----------------|---------------------------|---------|------------------------|
|         |          |                | BFT150A                   |         |                        |
| E-21    | 1        | HZY6-31200-003 | MOTOR ASSY., STARTER      | 1       |                        |
| E-21    | 2        | HZY3-31207-003 | CLUTCH COMP., OVERRUNNING | 1       | #~1031330<br>#~6000198 |
| E-21    | 2        | HZY9-31207-H01 | CLUTCH COMP., OVERRUNNING | 1       | #1031331~<br>#6000199~ |
| E-21    | 3        | HPY3-31215-004 | GEAR ASSY., PLANETARY     | 3       |                        |
| E-21    | 4        | HZY6-31216-003 | YOKE COMP.                | 1       |                        |
| E-21    | 5        | HZW5-31217-003 | ROTOR COMP.               | 1       |                        |
| E-21    | 6        | HPY3-31218-004 | BALL, STEEL               | 1       |                        |
| E-21    | 7        | HZY6-31226-003 | BRUSH SET                 | 1       | #~1031330<br>#~6000198 |
| E-21    | 7        | HZY6-31227-003 | BRUSH SET                 | 1       | #1031331~<br>#6000199~ |
| E-21    | 8        | HZW1-31229-004 | STOPPER SET, SLEEVE       | 1       | #~1031330<br>#~6000198 |
| E-21    | 8        | HZY9-31229-H01 | STOPPER SET, SLEEVE       | 1       | #1031331~<br>#6000199~ |
| E-21    | 9        | HZY6-31231-003 | HOLDER COMP., BRUSH       | 1       | #~1031330<br>#~6000198 |
| E-21    | 9        | HZY6-31232-003 | HOLDER COMP., BRUSH       | 1       | #1031331~<br>#6000199~ |
| E-21    | 10       | HZY6-31235-003 | BRACKET, FR.              | 1       |                        |
| E-21    | 11       | HZY6-31236-003 | BRACKET, RR.              | 1       |                        |
| E-21    | 12       | HZY6-31240-003 | SWITCH ASSY., MAGNET      | 1       | #~1031330<br>#~6000198 |
| E-21    | 12       | HZY9-31240-003 | SWITCH ASSY., MAGNET      | 1       | #1031331~<br>#6000199~ |
| E-21    | 13       | HZY6-31242-003 | SHAFT ASSY., CLUTCH       | 1       | #~1031330<br>#~6000198 |
| E-21    | 13       | HZY9-31242-H01 | SHAFT ASSY., CLUTCH       | 1       | #1031331~<br>#6000199~ |
| E-21    | 14       | HZY3-31246-003 | SHAFT ASSY., GEAR         | 1       | #~1031330<br>#~6000198 |
| E-21    | 14       | HZY9-31246-H01 | SHAFT ASSY., GEAR         | 1       | #1031331~<br>#6000199~ |
| E-21    | 15       | HZW1-31247-004 | GEAR ASSY., INTERNAL      | 1       | #~1031330<br>#~6000198 |
| E-21    | 16       | HZW1-31249-004 | PACKING                   | 1       | #~1031330<br>#~6000198 |
| E-21    | 17       | HZW1-31250-004 | LEVER SET                 | 1       |                        |
| E-21    | 18       | HZW1-31261-004 | BOLT A, THROUGH           | 2       |                        |
| E-21    | 19       | HZW1-90106-004 | SCREW, PAN, 6X22(SPECIAL) | 2       | #~1031330<br>#~6000198 |
| E-21    | 19       | HZY9-31226-H01 | SCREW, PAN, 6X22          | 2       | #1031331~<br>#6000199~ |
| E-21    | 20       | HZW1-90107-004 | SCREW, PAN, 5X8           | 2       |                        |
| E-21    | 21       | HZW4-90164-000 | BOLT, FLANGE, 10X90       | 2       |                        |

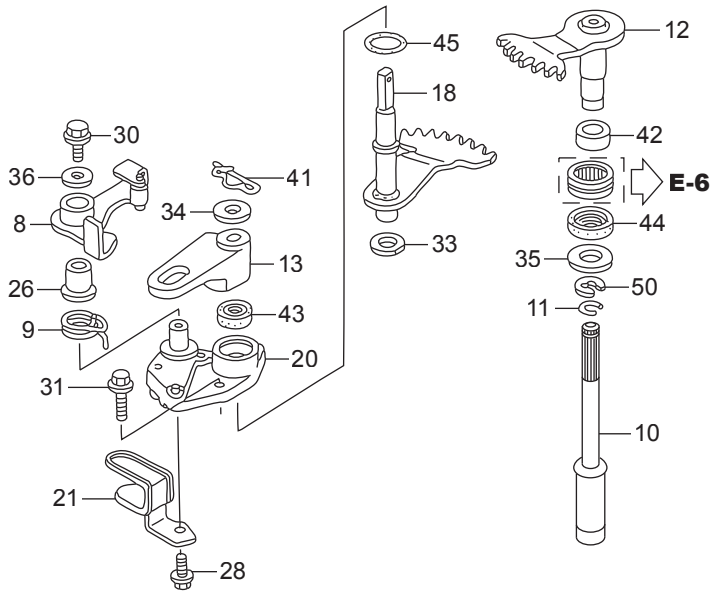
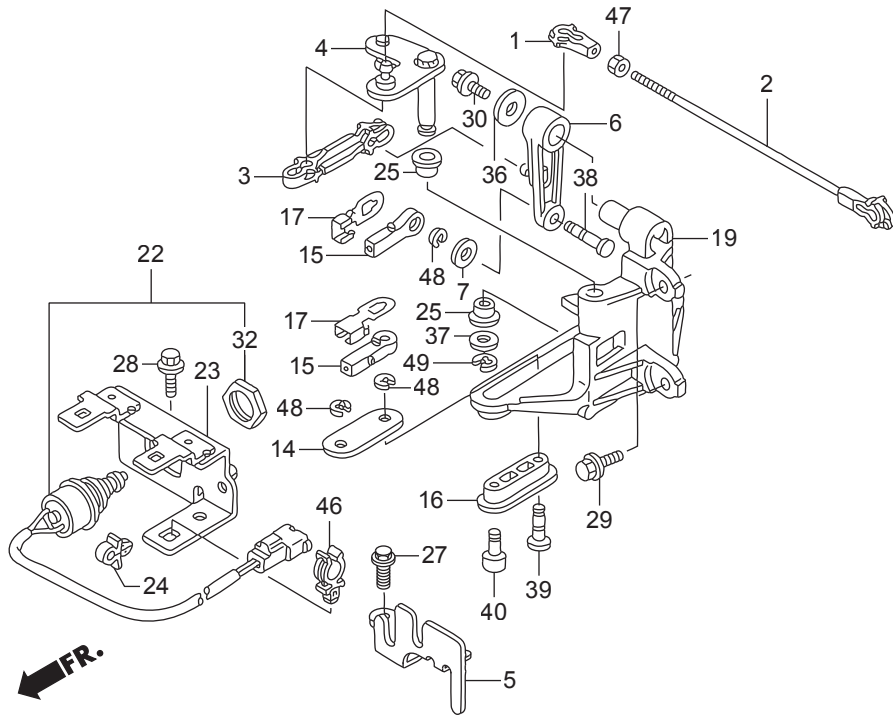




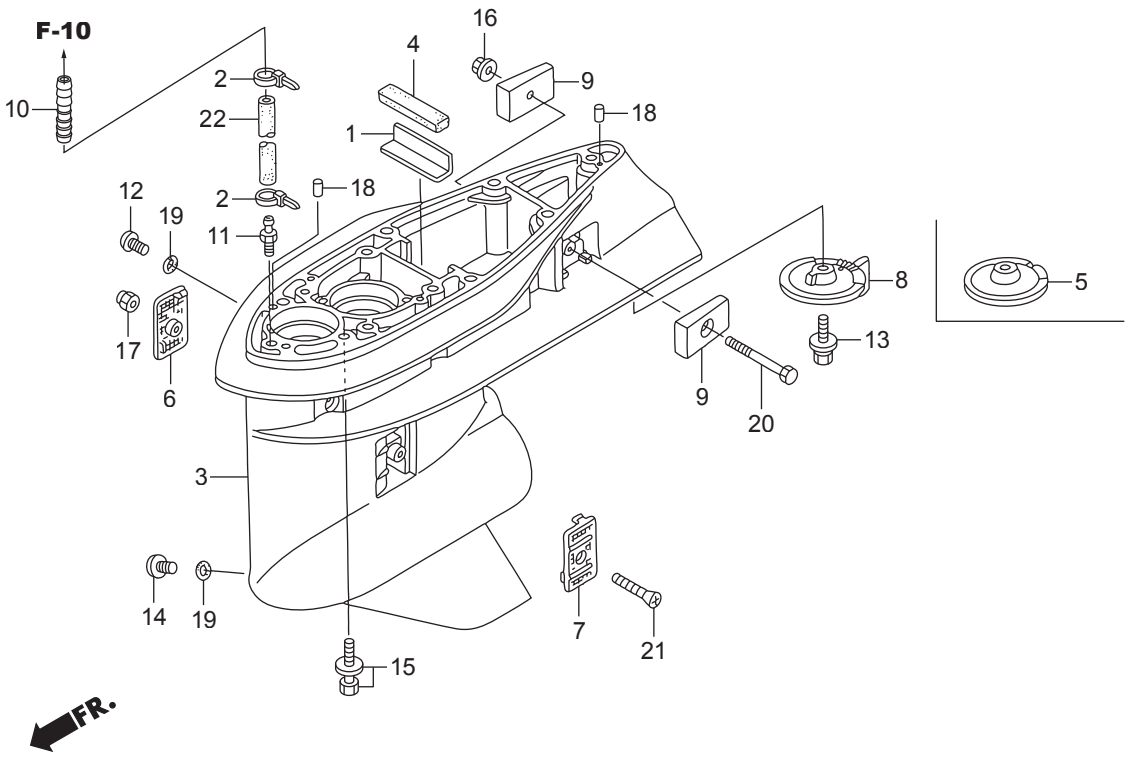




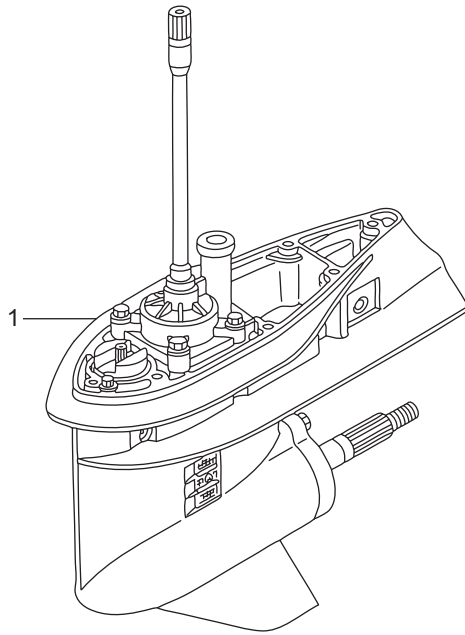
| Ref.No. | Part No. | Description      | Q' ty                       | Remarks |                 |
|---------|----------|------------------|-----------------------------|---------|-----------------|
|         |          |                  | BFT150A                     |         |                 |
| F-2     | 1        | HZV5-17838-000   | LINKAGE, PIVOT              | 1       |                 |
| F-2     | 2        | HZY6-17840-000   | ROD COMP., THROTTLE         | 1       |                 |
| F-2     | 3        | HZY6-17845-000   | LINK, THROTTLE              | 1       |                 |
| F-2     | 4        | HZY6-17860-000   | PLATE COMP., THROTTLE       | 1       |                 |
| F-2     | 5        | HZY6-17877-010   | PLATE, REMOTE CONTROL CABLE | 1       |                 |
| F-2     | 6        | HZY6-17931-000   | ARM, THROTTLE               | 1       |                 |
| F-2     | 7        | H921-17936-000   | WASHER, PIVOT               | 1       |                 |
| F-2     | 8        | HZY6-24166-000   | ARM COMP., CLICK            | 1       |                 |
| F-2     | 9        | HZY6-24218-000   | SPRING, CLICK               | 1       |                 |
| F-2     | 10       | HZY6-24320-000   | ROD COMP. A, SHIFT(L)       | 1       | LA              |
| F-2     | 10       | HZY6-24320-610   | ROD COMP. A, SHIFT(XL)      | 1       | XA,XCA          |
| F-2     | 11       | HZW1-24327-000   | RING, STOPPER               | 1       |                 |
| F-2     | 12       | HZY6-24610-000   | SHAFT COMP. A, SHIFT        | 1       |                 |
| F-2     | 13       | HZY6-24612-020   | ARM, SHIFT                  | 1       |                 |
| F-2     | 14       | HZY6-24614-000   | PLATE, SHIFT PIVOT          | 1       |                 |
| F-2     | 15       | HZY3-24618-000   | PIVOT, SHIFT                | 2       |                 |
| F-2     | 16       | HZY6-24618-000   | PIVOT, SHIFT SLIDE          | 1       |                 |
| F-2     | 17       | HZY3-24619-000   | PLATE, LOCK                 | 2       |                 |
| F-2     | 18       | HZY6-24620-000   | SHAFT COMP. B, SHIFT        | 1       |                 |
| F-2     | 19       | HZY6-24628-000   | BRACKET, SHIFT LINK         | 1       |                 |
| F-2     | 20       | HZY6-24629-000ZA | HOLDER, SEAL                | 1       | *NH8* DARK GRAY |
| F-2     | 21       | HZY6-32418-000   | BRACKET A, CABLE            | 1       |                 |
| F-2     | 22       | HZY3-35470-023   | SWITCH ASSY., NEUTRAL       | 1       |                 |
| F-2     | 23       | HZY6-35475-000   | BRACKET, NEUTRAL SWITCH     | 1       |                 |
| F-2     | 24       | HVM0-46391-003   | CLIP, BRAKE PIPE(A)         | 1       |                 |
| F-2     | 25       | HZY3-63205-000   | BUSH A, COVER LOCK          | 2       |                 |
| F-2     | 26       | H763-75538-C01   | BUSH, BLADE BRAKE           | 1       |                 |
| F-2     | 27       | HZY3-90017-000   | BOLT, FLANGE, 6X16          | 1       |                 |
| F-2     | 28       | HZY3-90021-000   | BOLT, FLANGE, 6X14          | 2       |                 |



| Ref.No. | Part No. | Description        | Q' ty                  | Remarks |  |
|---------|----------|--------------------|------------------------|---------|--|
|         |          |                    | BFT150A                |         |  |
| F-2     | 29       | HZY3-90028-000     | BOLT, FLANGE, 6X18     | 2       |  |
| F-2     | 30       | HZW9-90102-000     | BOLT, FLANGE, 6X12     | 2       |  |
| F-2     | 31       | HZW9-90105-000     | BOLT, FLANGE, 6X20     | 2       |  |
| F-2     | 32       | HZV5-90302-003     | NUT, HEX., 20MM        | 1       |  |
| F-2     | 33       | H958-90428-000     | WASHER B, THRUST, 14MM | 1       |  |
| F-2     | 34       | HZY3-90507-000     | WASHER, PLAIN, 12MM    | 1       |  |
| F-2     | 35       | HZV7-90508-000     | WASHER                 | 1       |  |
| F-2     | 36       | HZV4-90512-000     | WASHER, PLAIN, 6MM     | 2       |  |
| F-2     | 37       | H921-90518-000     | WASHER, PLAIN, 8MM     | 1       |  |
| F-2     | 38       | HZY3-90751-000     | PIN, LINK              | 1       |  |
| F-2     | 39       | HZY6-90752-000     | PIN, SHIFT LINK        | 1       |  |
| F-2     | 40       | HZY6-90753-000     | PIN, LINK              | 1       |  |
| F-2     | 41       | HZY6-90755-003     | PIN, SNAP, 12MM        | 1       |  |
| F-2     | 42       | HZY3-91152-003     | RING, INNER(15X20X23)  | 1       |  |
| F-2     | 43       | HZW5-91251-003     | OIL SEAL, 14X26X6      | 1       |  |
| F-2     | 44       | HZY3-91255-003     | SEAL, WATER(14X26X8)   | 1       |  |
| F-2     | 45       | HP0X-91321-003     | O-RING, 25X2.4(NOK)    | 1       |  |
| F-2     | 46       | HSV1-91549-L01     | HOLDER, DRAIN TUBE     | 1       |  |
| F-2     | 47       | HCO-94001-05490-0S | NUT, HEX., 5MM         | 1       |  |
| F-2     | 48       | HCO-94540-04029    | E-RING, 4MM            | 3       |  |
| F-2     | 49       | HCO-94540-06029    | E-RING, 6MM            | 1       |  |
| F-2     | 50       | HCO-94540-12029    | E-RING, 12MM           | 1       |  |
|         |          |                    |                        |         |  |
|         |          |                    |                        |         |  |
|         |          |                    |                        |         |  |
|         |          |                    |                        |         |  |
|         |          |                    |                        |         |  |
|         |          |                    |                        |         |  |
|         |          |                    |                        |         |  |
|         |          |                    |                        |         |  |
|         |          |                    |                        |         |  |
|         |          |                    |                        |         |  |



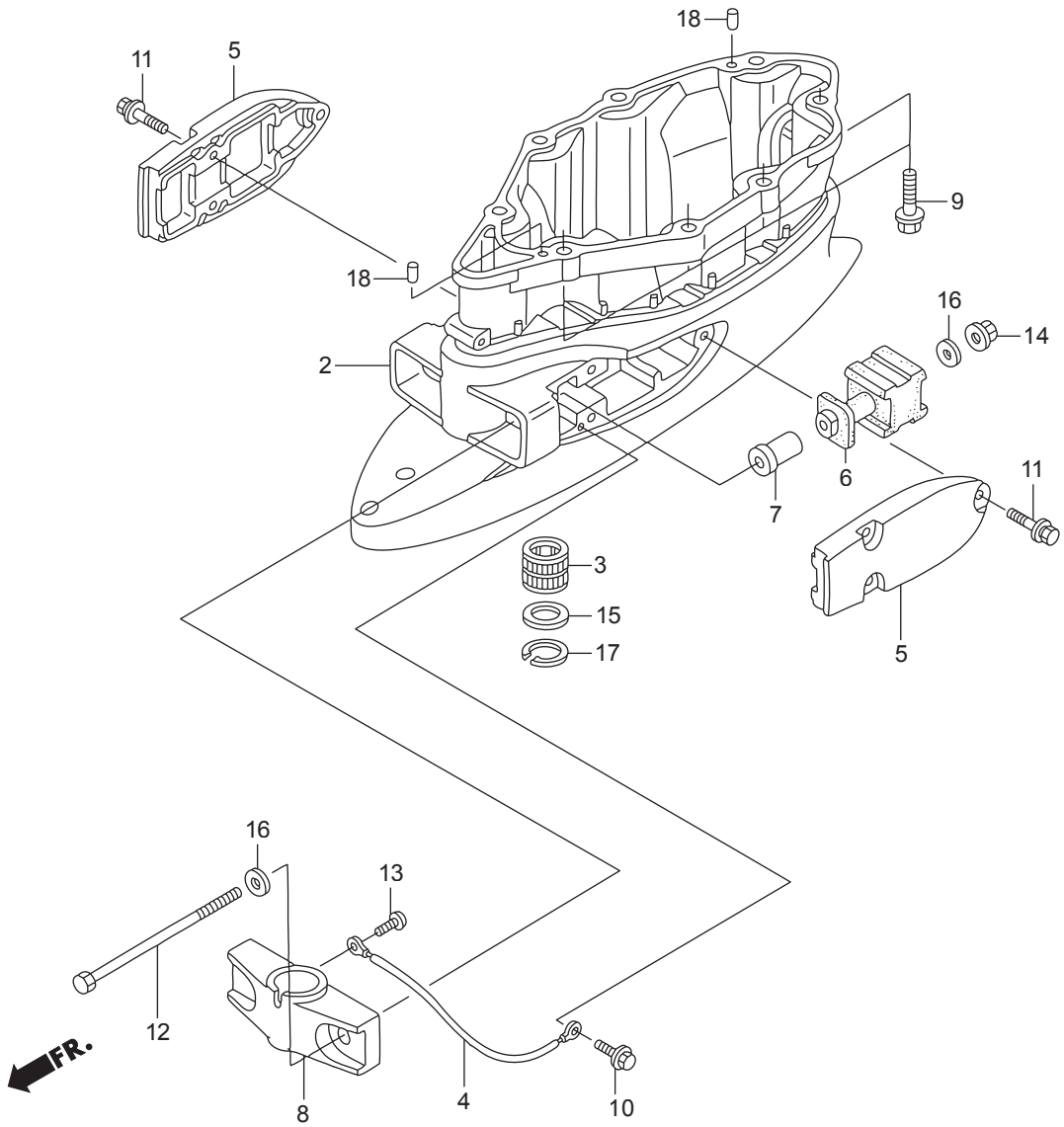
| Ref.No. | Part No. | Description        | Q' ty                 | Remarks |                                |
|---------|----------|--------------------|-----------------------|---------|--------------------------------|
|         |          |                    | BFT150A               |         |                                |
| F-3     | 1        | HZW1-19286-B00     | PLATE, RUBBER SETTING | 1       |                                |
| F-3     | 2        | HKM3-32161-003     | BAND, WIRE            | 2       |                                |
| F-3     | 3        | HZY6-41101-020ZC   | CASE, GEAR            | 1       | *T107* BAY BLUE                |
| F-3     | 4        | HZW1-41102-B00     | GROMMET, GEAR CASE    | 1       |                                |
| F-3     | 5        | HZX2-41102-E00ZC   | COVER, GEAR CASE      | 1       | *T107* BAY BLUE<br>XCA         |
| F-3     | 6        | HZY6-41104-010     | SCREEN, R. WATER      | 1       |                                |
| F-3     | 7        | HZY6-41105-010     | SCREEN, L. WATER      | 1       |                                |
| F-3     | 8        | HZX2-41107-C00ZC   | TAB, TRIM             | 1       | *T107* BAY BLUE<br>LA,XA       |
| F-3     | 9        | HZW1-41109-B00     | METAL COMP., ANODE    | 2       |                                |
| F-3     | 10       | HZV5-41171-000     | END, NIPPLE           | 1       |                                |
| F-3     | 11       | HZV5-41172-000     | NIPPLE, SENSOR        | 1       |                                |
| F-3     | 12       | HZW9-90101-003     | BOLT, OIL CHECK       | 1       |                                |
| F-3     | 13       | HZY6-90103-000     | BOLT-WASHER, 10X32    | 1       |                                |
| F-3     | 14       | HZY3-90120-000     | BOLT, DRAIN PLUG      | 1       |                                |
| F-3     | 15       | HZY6-90123-000     | BOLT-WASHER, 10X40    | 7       |                                |
| F-3     | 16       | HZY1-90205-000     | NUT, SELF-LOCK, 6MM   | 1       |                                |
| F-3     | 17       | HZV4-90302-000     | NUT, SELF-LOCK, 5MM   | 1       |                                |
| F-3     | 18       | HZV5-90756-000     | DOWEL PIN, 6X10       | 2       |                                |
| F-3     | 19       | HZW4-91301-003     | O-RING, 6.9X1.45      | 2       |                                |
| F-3     | 20       | HCO-92101-06050-4J | BOLT, HEX., 6X50      | 1       |                                |
| F-3     | 21       | HCO-93700-05050-4J | SCREW, OVAL, 5X50     | 1       |                                |
| F-3     | 22       | HCO-95005-50140-30 | TUBE, 5X140           | 1       | (HC-95005-50001-30M)<br>LA     |
| F-3     | 22       | HCO-95005-50270-30 | TUBE, 5X270           | 1       | (HC-95005-50001-30M)<br>XA,XCA |
|         |          |                    |                       |         |                                |
|         |          |                    |                       |         |                                |
|         |          |                    |                       |         |                                |
|         |          |                    |                       |         |                                |
|         |          |                    |                       |         |                                |
|         |          |                    |                       |         |                                |
|         |          |                    |                       |         |                                |
|         |          |                    |                       |         |                                |



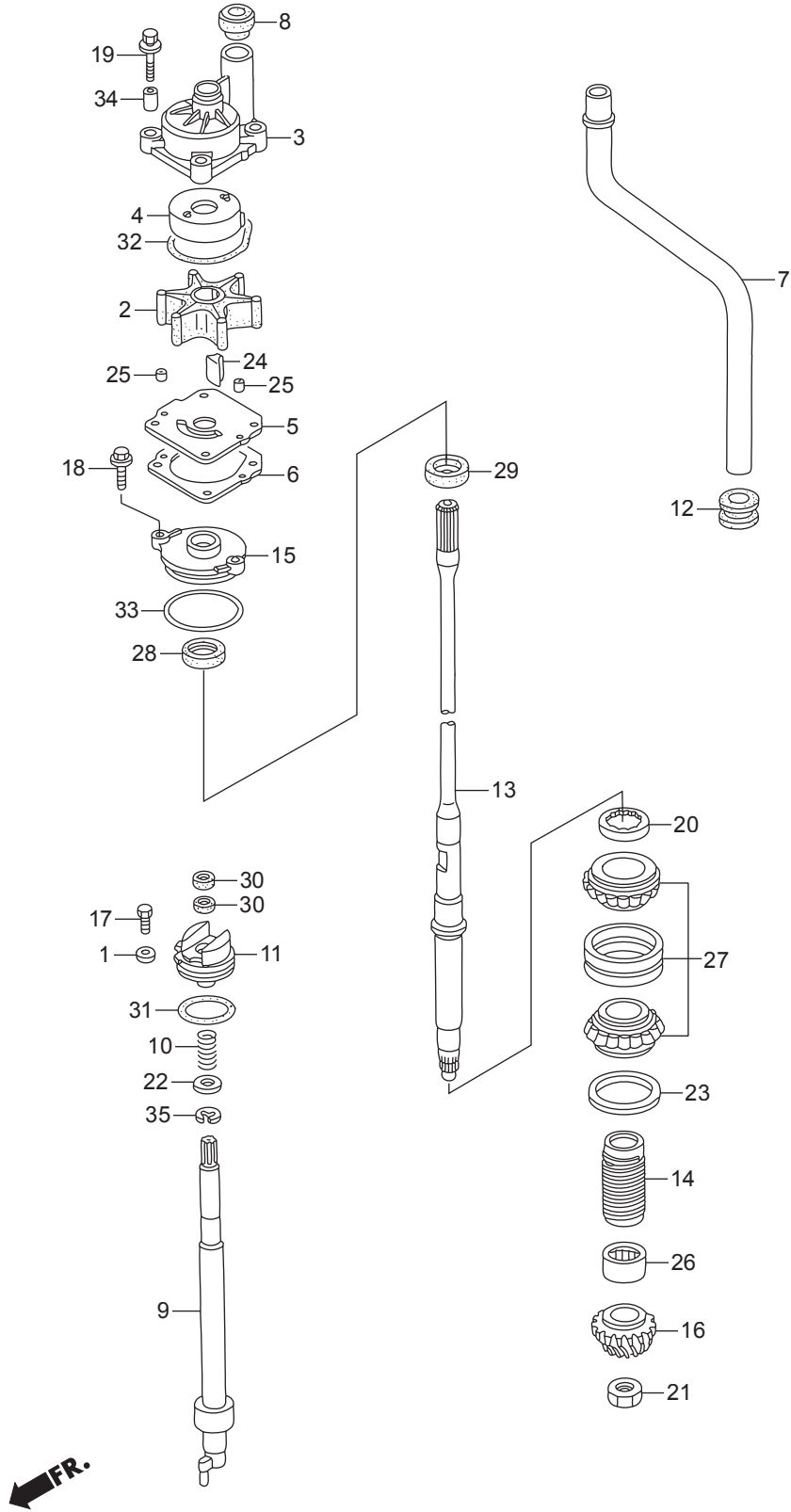
←FR.



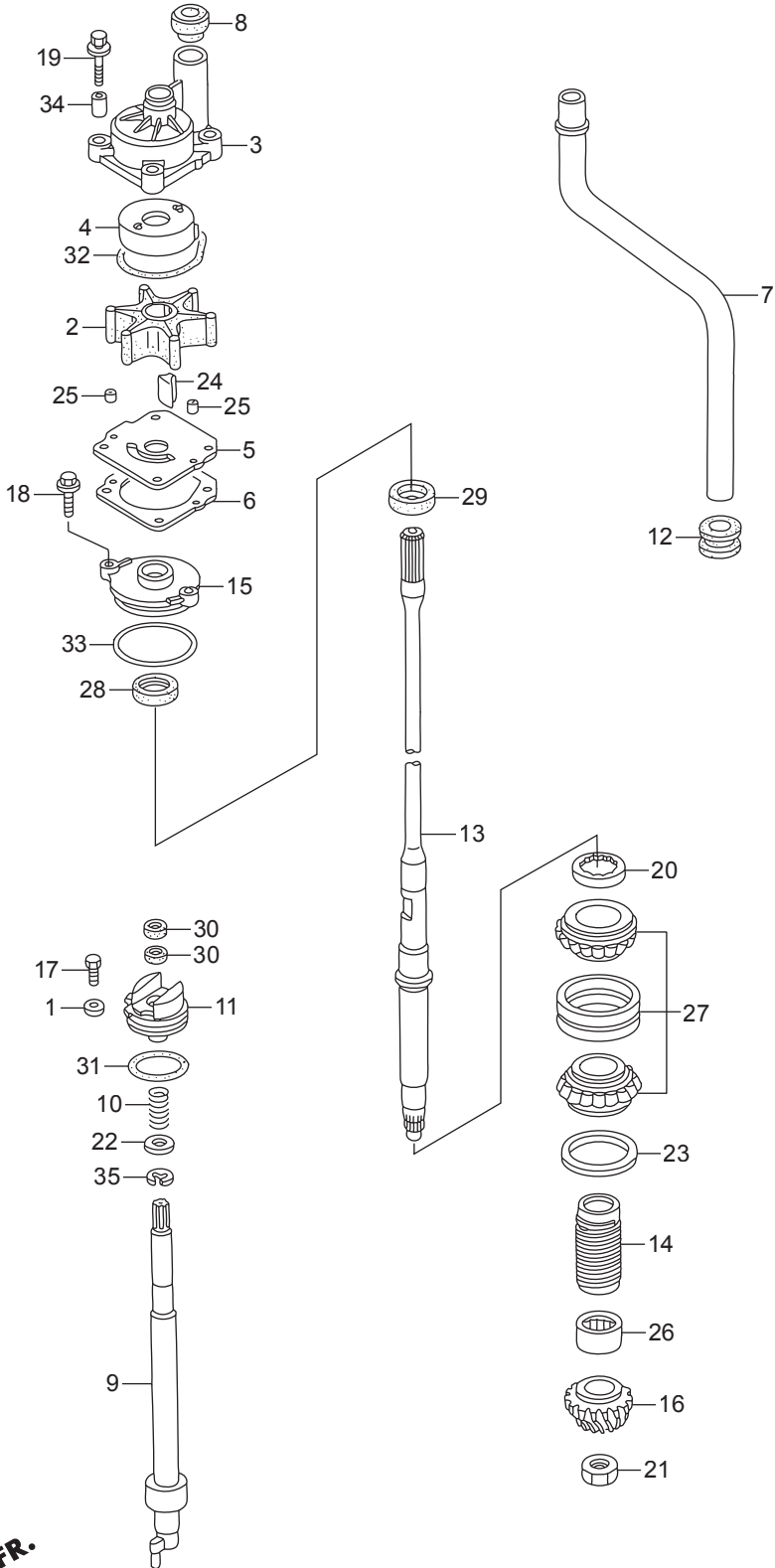






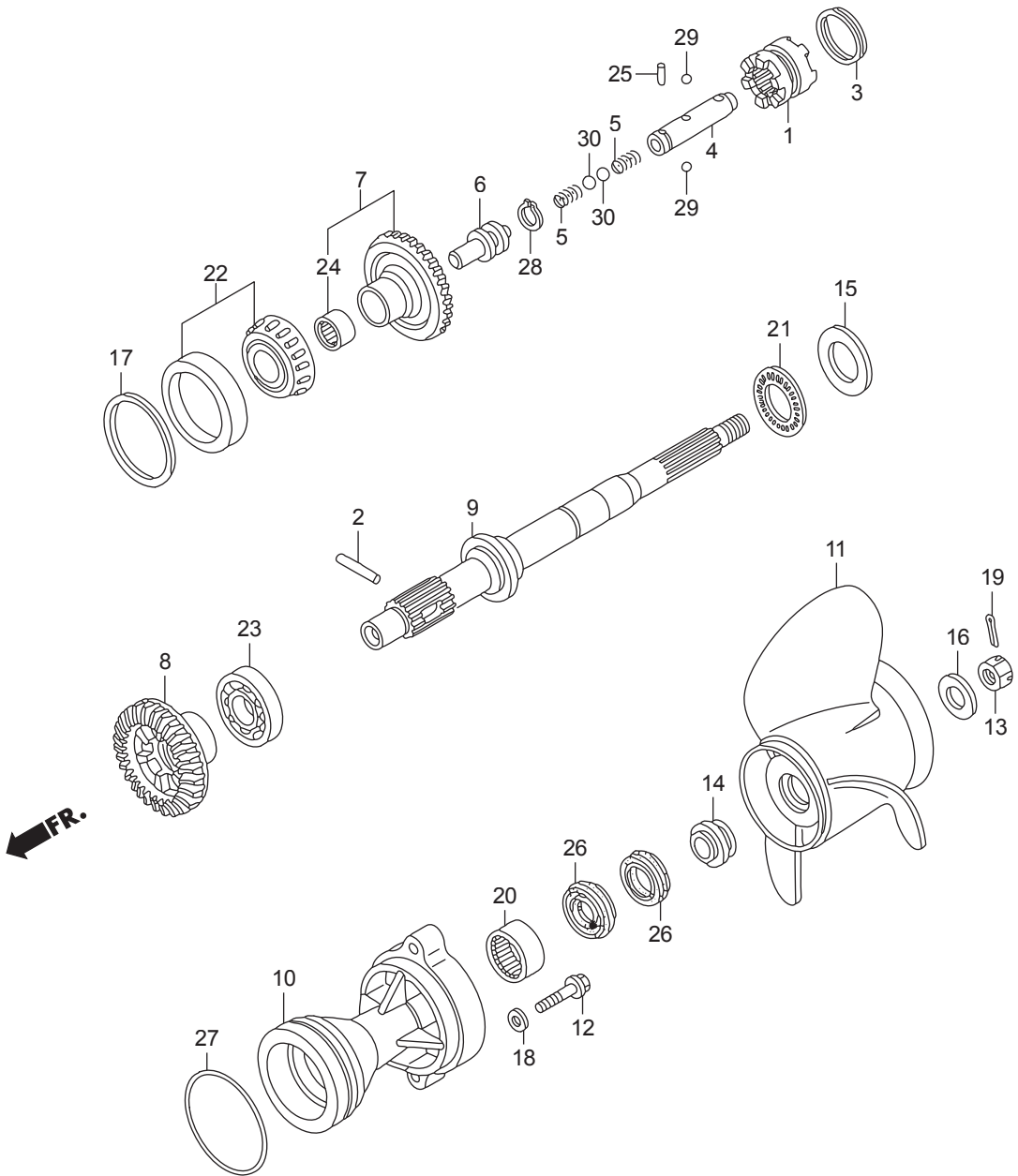


| Ref.No. | Part No. | Description    | Q' ty                   | Remarks |                           |
|---------|----------|----------------|-------------------------|---------|---------------------------|
|         |          |                | BFT150A                 |         |                           |
| F-4     | 1        | H921-17936-000 | WASHER, PIVOT           | 1       |                           |
| F-4     | 2        | HZW1-19210-B04 | IMPELLER, PUMP          | 1       |                           |
| F-4     | 3        | HZY6-19221-A00 | HOUSING, IMPELLER       | 1       |                           |
| F-4     | 4        | HZW1-19223-B00 | LINER, PUMP             | 1       |                           |
| F-4     | 5        | HZY6-19231-000 | COVER, IMPELLER         | 1       |                           |
| F-4     | 6        | HZY6-19234-000 | GASKET B, IMPELLER      | 1       |                           |
| F-4     | 7        | HZY6-19251-000 | TUBE, WATER(L)          | 1       | LA                        |
| F-4     | 7        | HZY6-19251-611 | TUBE, WATER(XL)         | 1       | XA,XCA                    |
| F-4     | 8        | HZW1-19253-B01 | RING, WATER TUBE SEAL   | 1       |                           |
| F-4     | 9        | HZY6-24310-000 | ROD COMP., SHIFT        | 1       | LA,XA                     |
| F-4     | 9        | HZY6-24310-710 | ROD COMP., SHIFT        | 1       | (COUNTER ROTATION)<br>XCA |
| F-4     | 10       | HZY3-24318-000 | SPRING, SHIFT ROD       | 1       |                           |
| F-4     | 11       | HZY6-24343-000 | HOLDER, SHIFT ROD       | 1       | #~6000344<br>XA           |
| F-4     | 11       | HZY6-24343-000 | HOLDER, SHIFT ROD       | 1       | #~6000348<br>LA           |
| F-4     | 11       | HZY6-24343-000 | HOLDER, SHIFT ROD       | 1       | #~7000020<br>XCA          |
| F-4     | 11       | HZY6-24343-010 | HOLDER, SHIFT ROD       | 1       | #6000345~<br>XA           |
| F-4     | 11       | HZY6-24343-010 | HOLDER, SHIFT ROD       | 1       | #6000349~<br>LA           |
| F-4     | 11       | HZY6-24343-010 | HOLDER, SHIFT ROD       | 1       | #7000021~<br>XCA          |
| F-4     | 12       | HZW1-40204-000 | GROMMET, EXTENSION CASE | 1       |                           |
| F-4     | 13       | HZY6-41112-010 | SHAFT, VERTICAL(L)      | 1       | LA                        |
| F-4     | 13       | HZY6-41112-611 | SHAFT, VERTICAL(XL)     | 1       | XA,XCA                    |
| F-4     | 14       | HZW1-41116-B00 | SLINGER, OIL            | 1       |                           |
| F-4     | 15       | HZZ3-41117-000 | HOUSING, WATER SEAL     | 1       |                           |
| F-4     | 16       | HZY6-41131-000 | GEAR, PINION            | 1       |                           |
| F-4     | 17       | H881-90105-000 | BOLT, HEX., 6X12        | 1       |                           |
| F-4     | 18       | HZW9-90105-000 | BOLT, FLANGE, 6X20      | 2       |                           |
| F-4     | 19       | HZY6-90116-000 | BOLT-WASHER, 8X40       | 4       |                           |
| F-4     | 20       | HZW1-90242-000 | NUT, LOCK, 64MM         | 1       |                           |
| F-4     | 21       | HZW5-90303-000 | NUT, HEX., 18MM         | 1       |                           |



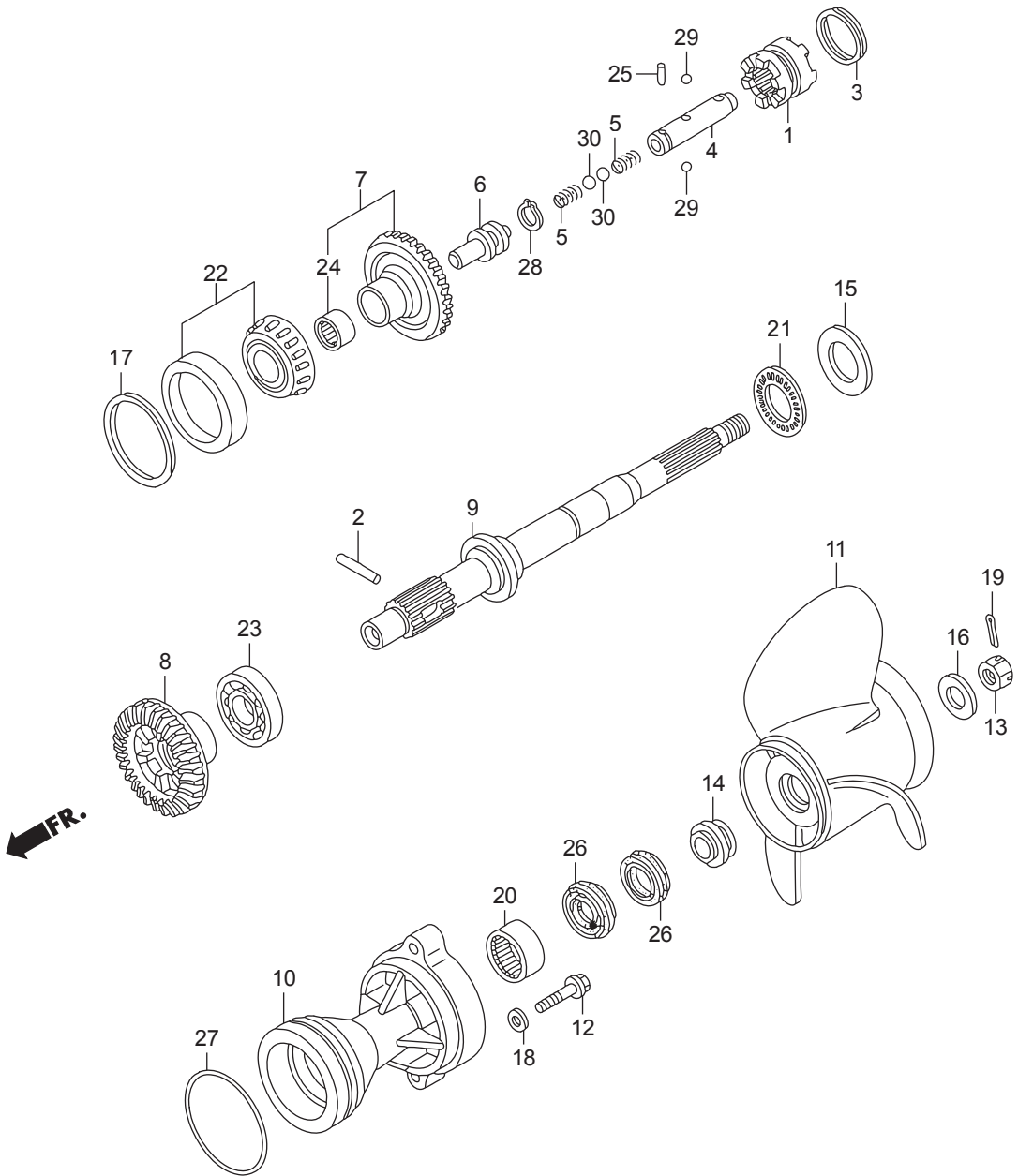
FR. ←





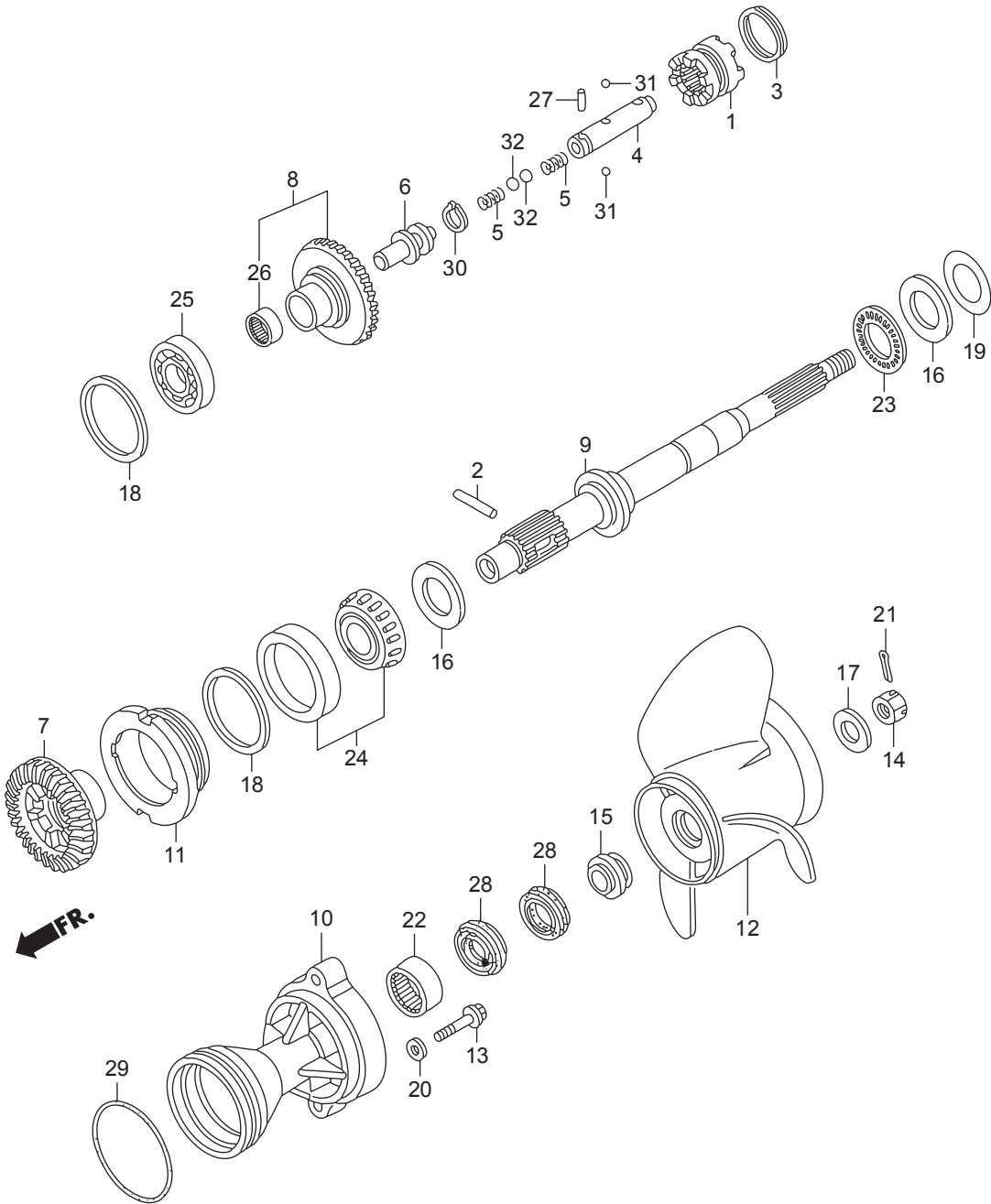


| Ref.No. | Part No. | Description      | Q' ty                          | Remarks |  |
|---------|----------|------------------|--------------------------------|---------|--|
|         |          |                  | BFT150A                        |         |  |
| F-5     | 1        | HZY6-24101-000   | SHIFTER, CLUTCH                | 1       | LA,XA                                      |
| F-5     | 2        | HZW1-24102-B00   | PIN, SHIFTER, 8X47             | 1       | LA,XA                                      |
| F-5     | 3        | HZW1-24103-B00   | RING, CROSS PIN                | 1       | LA,XA                                      |
| F-5     | 4        | HZY6-24122-000   | SLIDER, SHIFT                  | 1       | LA,XA                                      |
| F-5     | 5        | HZY6-24123-000   | SPRING, SHIFT                  | 2       | LA,XA                                      |
| F-5     | 6        | HZY6-24124-000   | PLATE, SHIFT                   | 1       | LA,XA                                      |
| F-5     | 7        | HZY6-41140-000   | GEAR COMP., BEVEL(FORWARD 30T) | 1       | LA,XA                                      |
| F-5     | 8        | HZY6-41151-000   | GEAR, BEVEL(RVS. 30T)          | 1       | LA,XA                                      |
| F-5     | 9        | HZY6-41161-000   | SHAFT, PROPELLER               | 1       | LA,XA                                      |
| F-5     | 10       | HZY6-41201-000ZC | HOLDER, PROPELLER SHAFT        | 1       | *T107* BAY BLUE<br>LA,XA                   |
| F-5     | 11       | HZY3-58130-T00   | PROPELLER COMP., THREE BLADES  | 1       | (14-1/2X15)(SUS)<br>LA,XA                  |
| F-5     | 11       | HZY3-58130-T10   | PROPELLER COMP., THREE BLADES  | 1       | (14-1/4X17)(SUS)<br>LA,XA                  |
| F-5     | 11       | HZY3-58130-T20   | PROPELLER COMP., THREE BLADES  | 1       | (14X19)(SUS)<br>LA,XA                      |
| F-5     | 11       | HZY3-58130-T30   | PROPELLER COMP., THREE BLADES  | 1       | (14X21)(SUS)<br>LA,XA                      |
| F-5     | 11       | HZY3-58130-T40   | PROPELLER COMP., THREE BLADES  | 1       | (14-1/2X23)(SUS)<br>LA,XA                  |
| F-5     | 11       | HZY3-58130-T50   | PROPELLER COMP., THREE BLADES  | 1       | (14X25)(SUS)<br>LA,XA                      |
| F-5     | 11       | HZY3-58130-V01ZA | PROPELLER COMP., THREE BLADES  | 1       | (15-1/2X13)(AL) *NH283* STIN GRAY<br>LA,XA |
| F-5     | 11       | HZY3-58130-V11ZA | PROPELLER COMP., THREE BLADES  | 1       | (15-1/4X15)(AL) *NH283* STIN GRAY<br>LA,XA |
| F-5     | 11       | HZY3-58130-V21ZA | PROPELLER COMP., THREE BLADES  | 1       | (15X17)(AL) *NH283* STIN GRAY<br>LA,XA     |
| F-5     | 11       | HZY3-58130-V31ZA | PROPELLER COMP., THREE BLADES  | 1       | (14-3/4X19)(AL) *NH283* STIN GRAY<br>LA,XA |
| F-5     | 11       | HZY3-58130-V41ZA | PROPELLER COMP., THREE BLADES  | 1       | (14-1/2X21)(AL) *NH283* STIN GRAY<br>LA,XA |
| F-5     | 11       | HZY3-58130-V51ZA | PROPELLER COMP., THREE BLADES  | 1       | (14-1/4X23)(AL) *NH283* STIN GRAY<br>LA,XA |
| F-5     | 12       | HZY6-90104-000   | BOLT, FLANGE, 10X40            | 2       | LA,XA                                      |
| F-5     | 13       | HZW1-90301-B00   | NUT, CASTLE, 18MM              | 1       | LA,XA                                      |
| F-5     | 14       | HZY3-90506-000   | WASHER, PROPELLER THRUST       | 1       | LA,XA                                      |
| F-5     | 15       | HZW5-90509-711   | WASHER, THRUST BEARING         | 1       | LA,XA                                      |
| F-5     | 16       | HZY3-90512-000   | WASHER, PROPELLER              | 1       | LA,XA                                      |
| F-5     | 17       | HZY3-90528-000   | SHIM A, BEVEL(0.10)            | 1       | LA,XA                                      |
| F-5     | 17       | HZY3-90529-000   | SHIM B, BEVEL(0.15)            | 1       | LA,XA                                      |



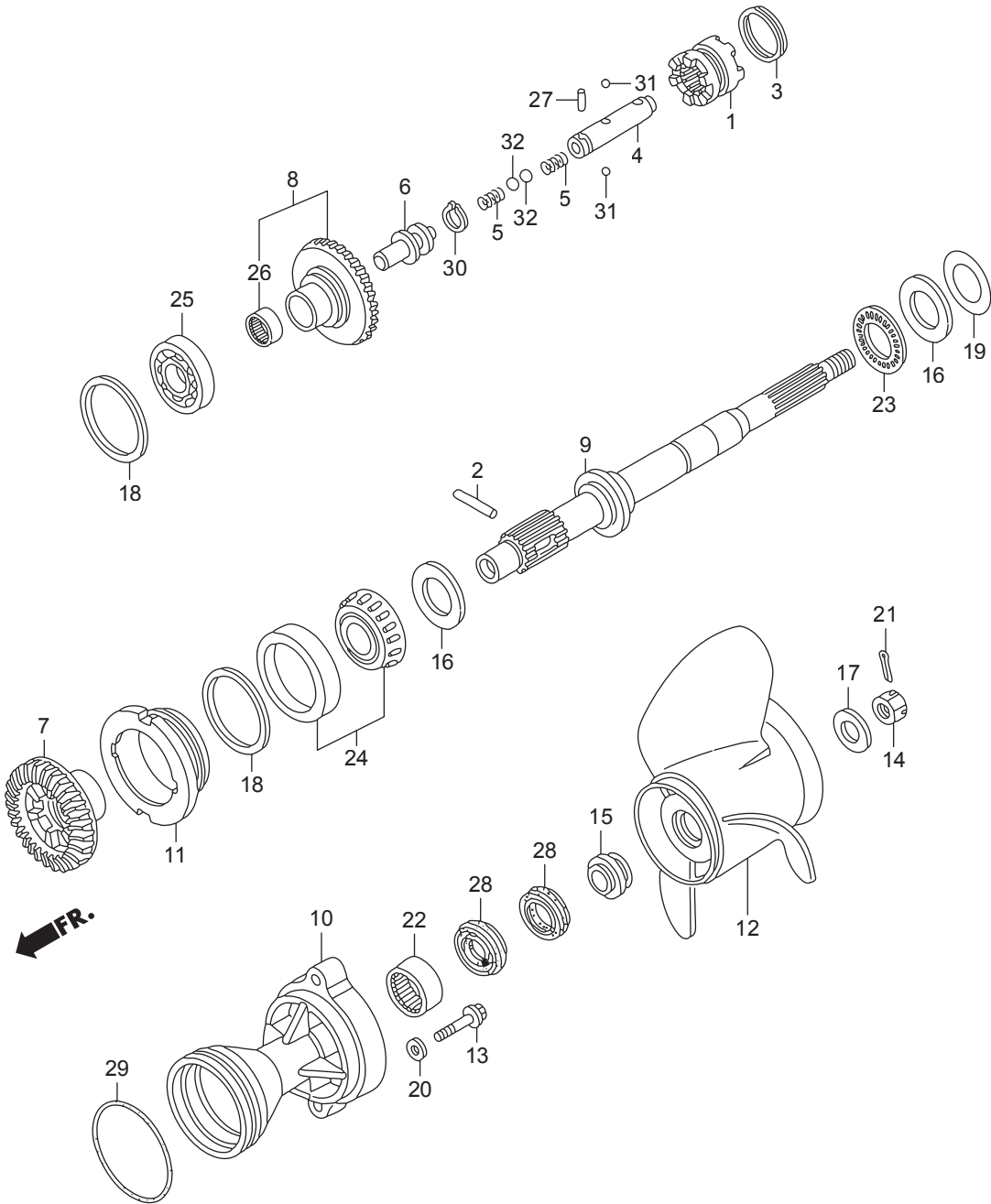


PROPELLER SHAFT/PROPELLER  
(COUNTER ROTATION)

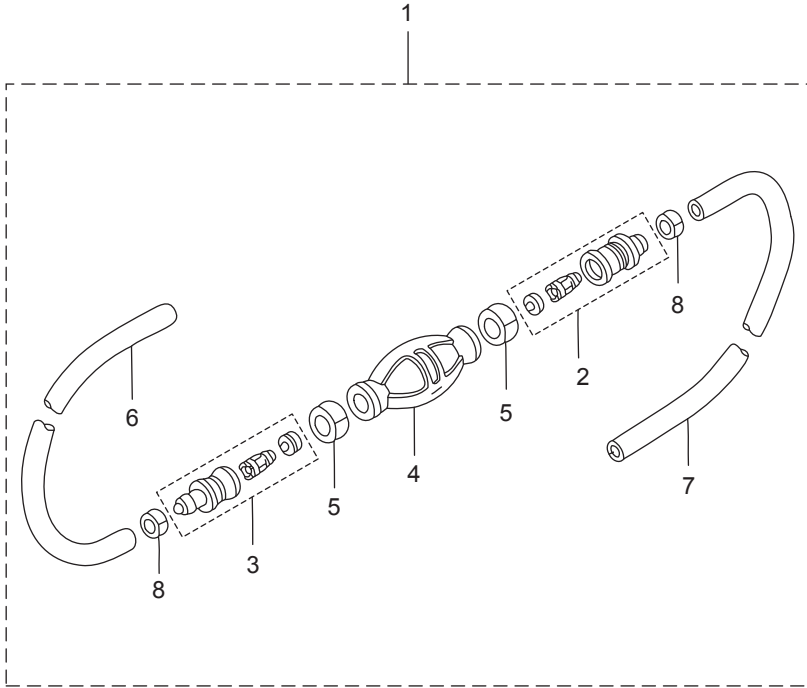


| Ref.No. | Part No. | Description      | Q' ty                         | Remarks |                           |
|---------|----------|------------------|-------------------------------|---------|---------------------------|
|         |          |                  | BFT150A                       |         |                           |
| F-5-1   | 1        | HZY6-24101-000   | SHIFTER, CLUTCH               | 1       | XCA                       |
| F-5-1   | 2        | HZW1-24102-B00   | PIN, SHIFTER, 8X47            | 1       | XCA                       |
| F-5-1   | 3        | HZW1-24103-B00   | RING, CROSS PIN               | 1       | XCA                       |
| F-5-1   | 4        | HZY6-24122-000   | SLIDER, SHIFT                 | 1       | XCA                       |
| F-5-1   | 5        | HZY6-24123-000   | SPRING, SHIFT                 | 2       | XCA                       |
| F-5-1   | 6        | HZY6-24124-000   | PLATE, SHIFT                  | 1       | XCA                       |
| F-5-1   | 7        | HZY6-41141-710   | GEAR, BEVEL(FORWARD 30T)      | 1       | (COUNTER ROTATION)<br>XCA |
| F-5-1   | 8        | HZY6-41150-710   | GEAR COMP., BEVEL(RVS. 30T)   | 1       | (COUNTER ROTATION)<br>XCA |
| F-5-1   | 9        | HZY6-41161-710   | SHAFT, PROPELLER              | 1       | (COUNTER ROTATION)<br>XCA |
| F-5-1   | 10       | HZY6-41201-710ZC | HOLDER, PROPELLER SHAFT       | 1       | *T107* BAY BLUE<br>XCA    |
| F-5-1   | 11       | HZY6-41202-710   | HOLDER, BEARING               | 1       | (COUNTER ROTATION)<br>XCA |
| F-5-1   | 12       | HZY3-58180-T00   | PROPELLER COMP., THREE BLADES | 1       | (14-1/2X15)(C/R)<br>XCA   |
| F-5-1   | 12       | HZY3-58180-T10   | PROPELLER COMP., THREE BLADES | 1       | (14-1/4X17)(C/R)<br>XCA   |
| F-5-1   | 12       | HZY3-58180-T20   | PROPELLER COMP., THREE BLADES | 1       | (14X19)(C/R)<br>XCA       |
| F-5-1   | 12       | HZY3-58180-T30   | PROPELLER COMP., THREE BLADES | 1       | (14X21)(C/R)<br>XCA       |
| F-5-1   | 12       | HZY3-58180-T40   | PROPELLER COMP., THREE BLADES | 1       | (14-1/2X23)(C/R)<br>XCA   |
| F-5-1   | 13       | HZY6-90104-000   | BOLT, FLANGE, 10X40           | 2       | XCA                       |
| F-5-1   | 14       | HZW1-90301-B00   | NUT, CASTLE, 18MM             | 1       | XCA                       |
| F-5-1   | 15       | HZY3-90506-000   | WASHER, PROPELLER THRUST      | 1       | XCA                       |
| F-5-1   | 16       | HZW5-90509-711   | WASHER, THRUST BEARING        | 2       | XCA                       |
| F-5-1   | 17       | HZY3-90512-000   | WASHER, PROPELLER             | 1       | XCA                       |
| F-5-1   | 18       | HZY3-90528-000   | SHIM A, BEVEL(0.10)           | 1       | XCA                       |
| F-5-1   | 18       | HZY3-90529-000   | SHIM B, BEVEL(0.15)           | 1       | XCA                       |
| F-5-1   | 18       | HZY3-90530-000   | SHIM C, BEVEL(0.30)           | 1       | XCA                       |
| F-5-1   | 18       | HZY3-90531-000   | SHIM D, BEVEL(0.50)           | 1       | XCA                       |
| F-5-1   | 19       | HZW5-90548-710   | SHIM A, THRUST(0.10)          | 1       | XCA                       |
| F-5-1   | 19       | HZW5-90549-710   | SHIM B, THRUST(0.15)          | 1       | XCA                       |
| F-5-1   | 19       | HZW5-90550-710   | SHIM C, THRUST(0.30)          | 1       | XCA                       |
| F-5-1   | 19       | HZW5-90551-710   | SHIM D, THRUST(0.50)          | 1       | XCA                       |

PROPELLER SHAFT/PROPELLER  
(COUNTER ROTATION)



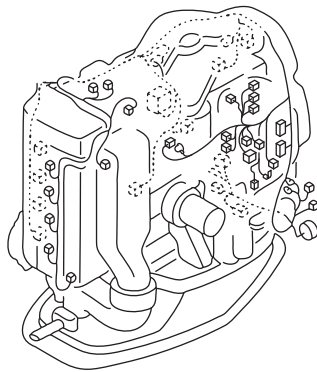
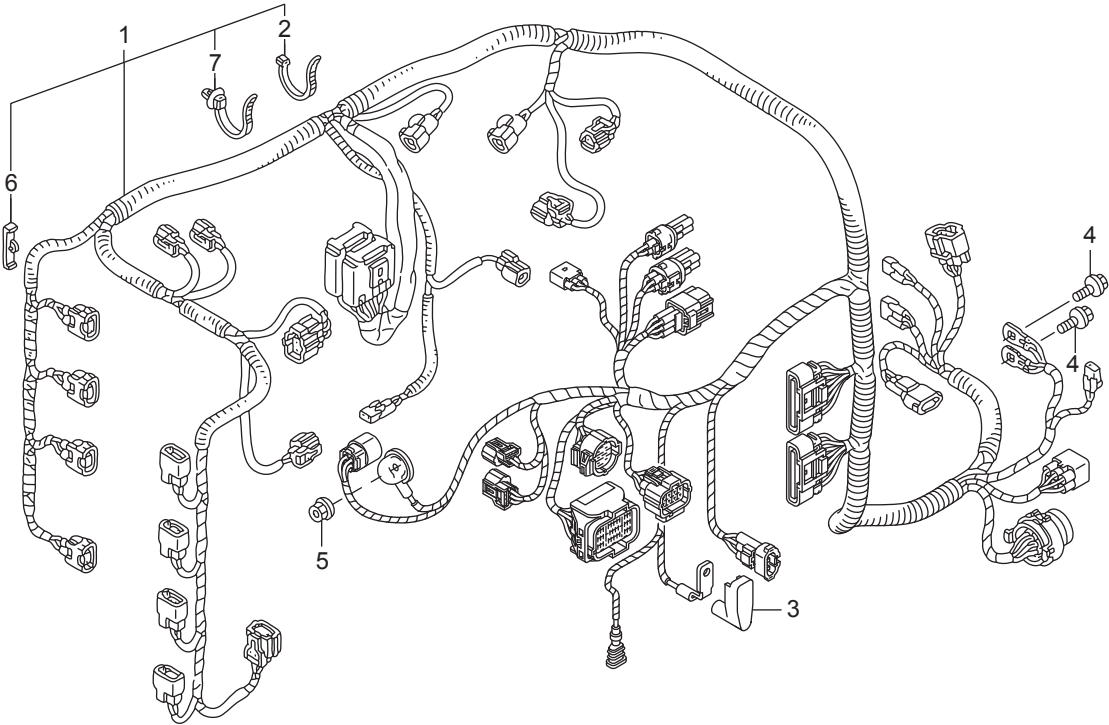




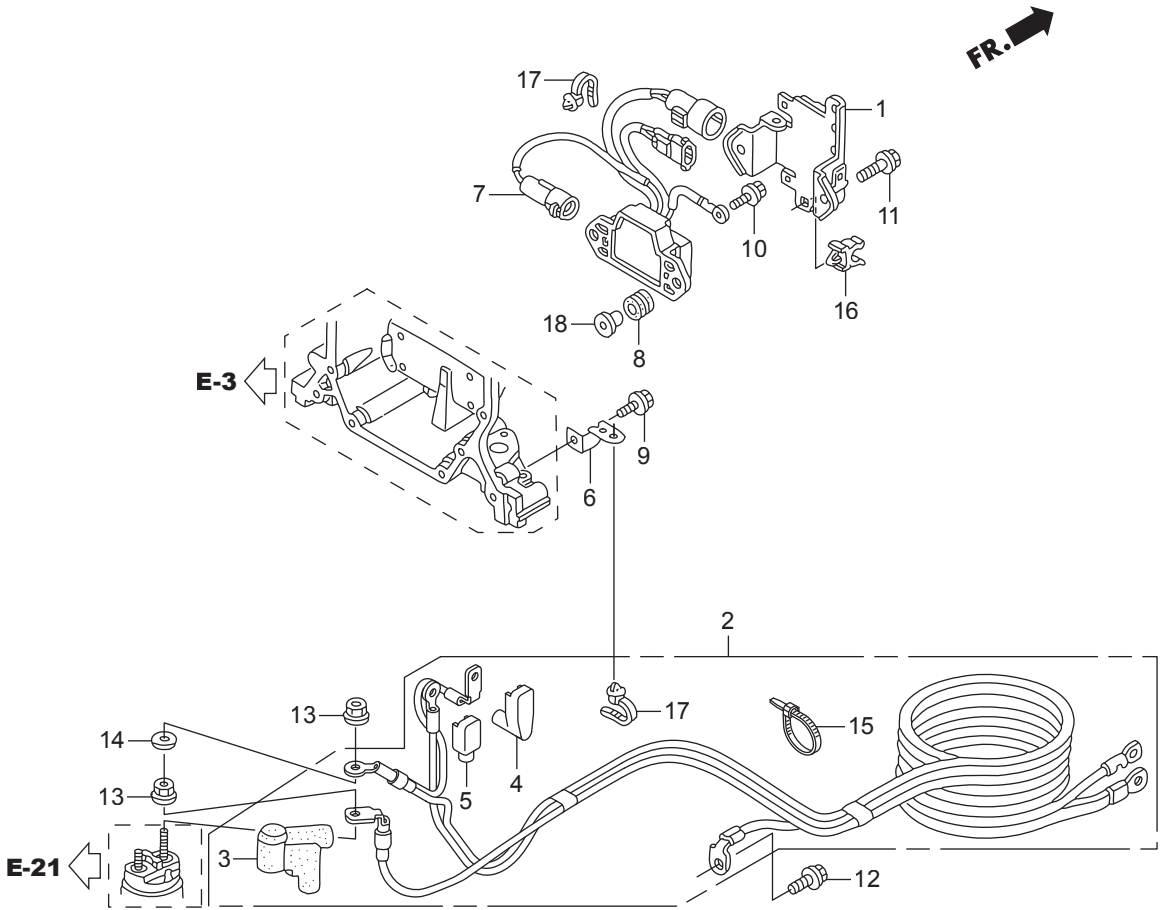




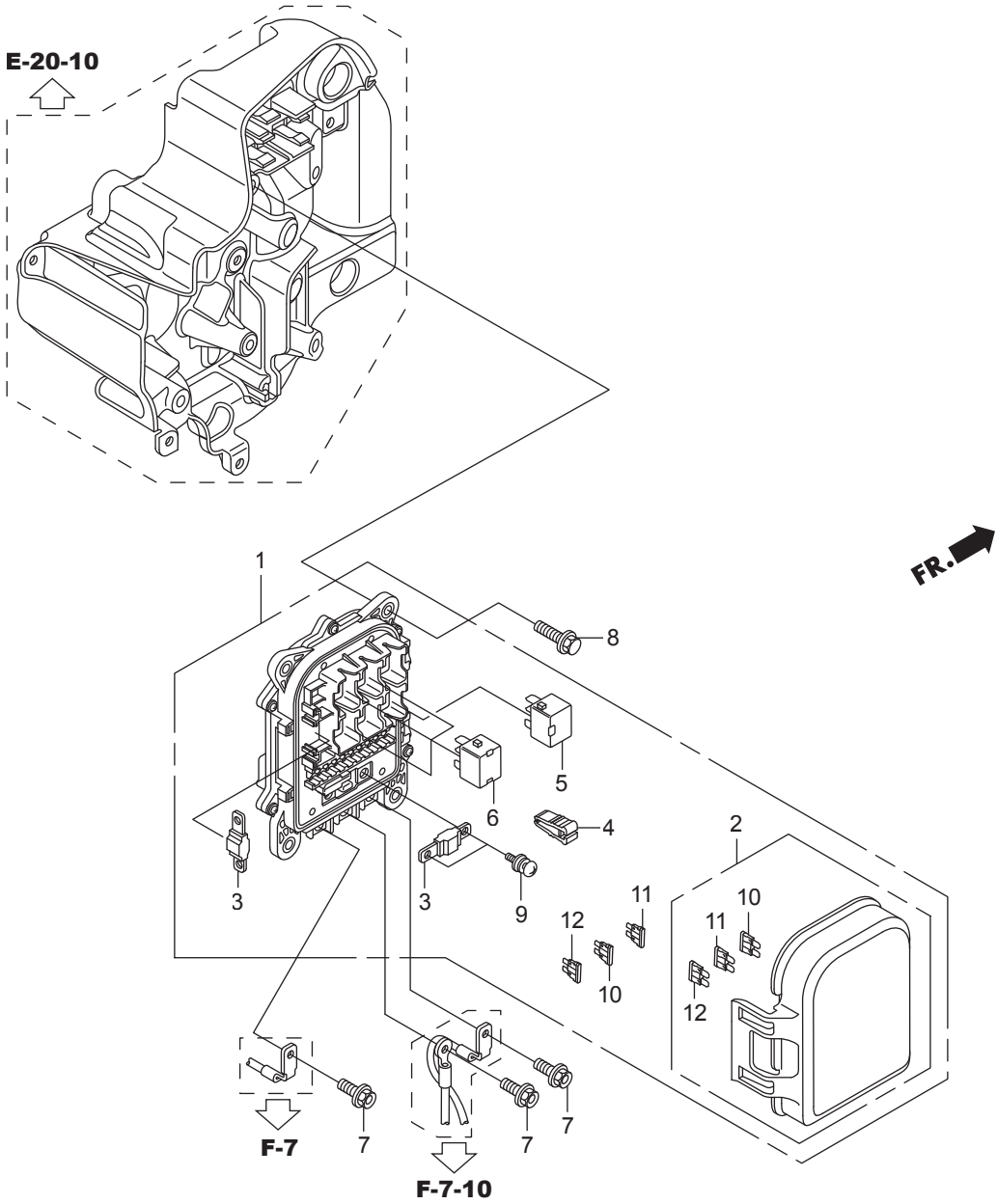
FR. →



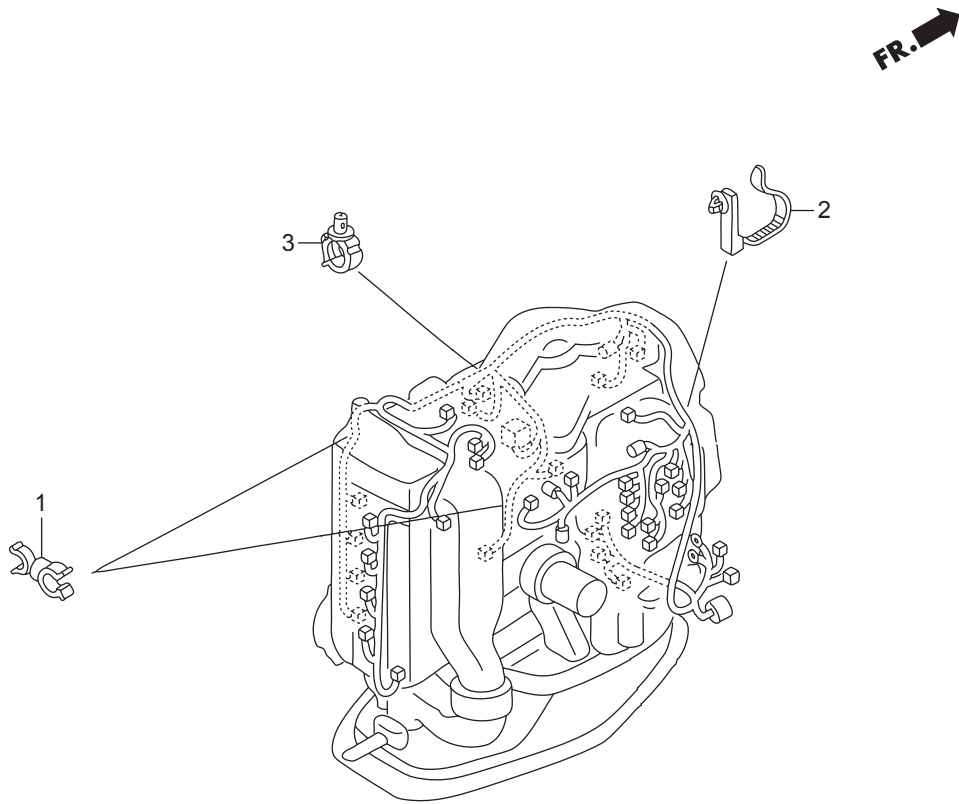






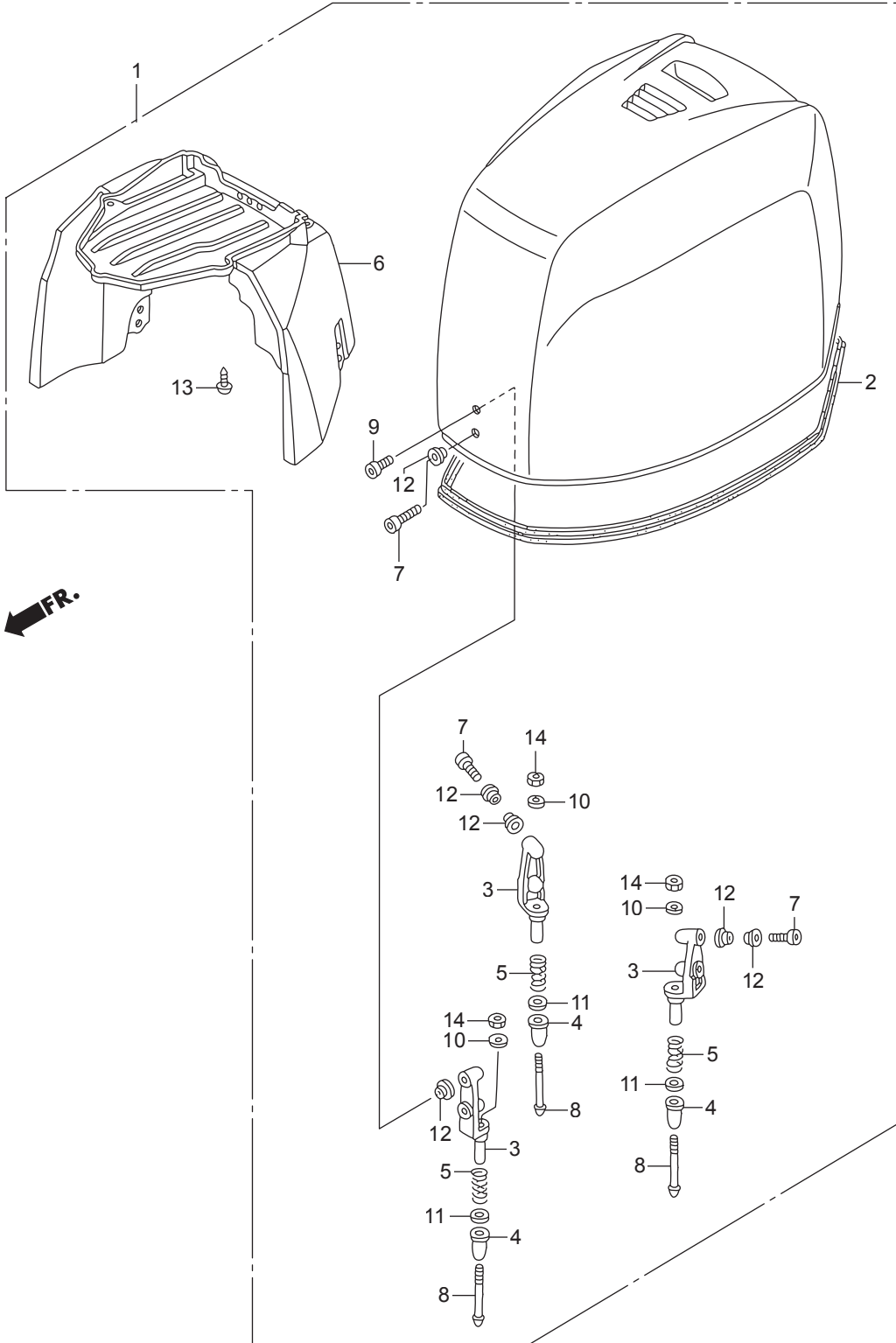




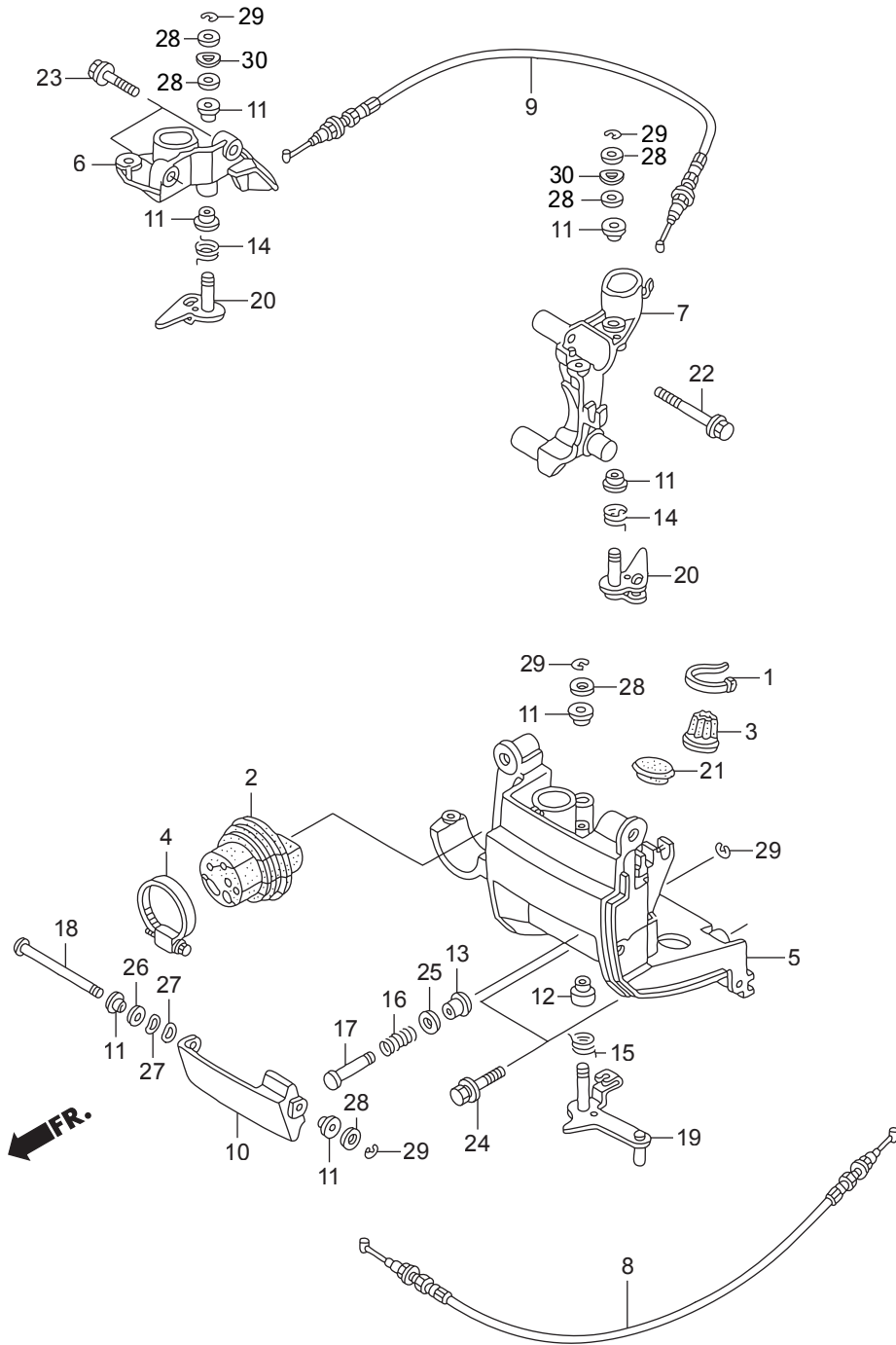




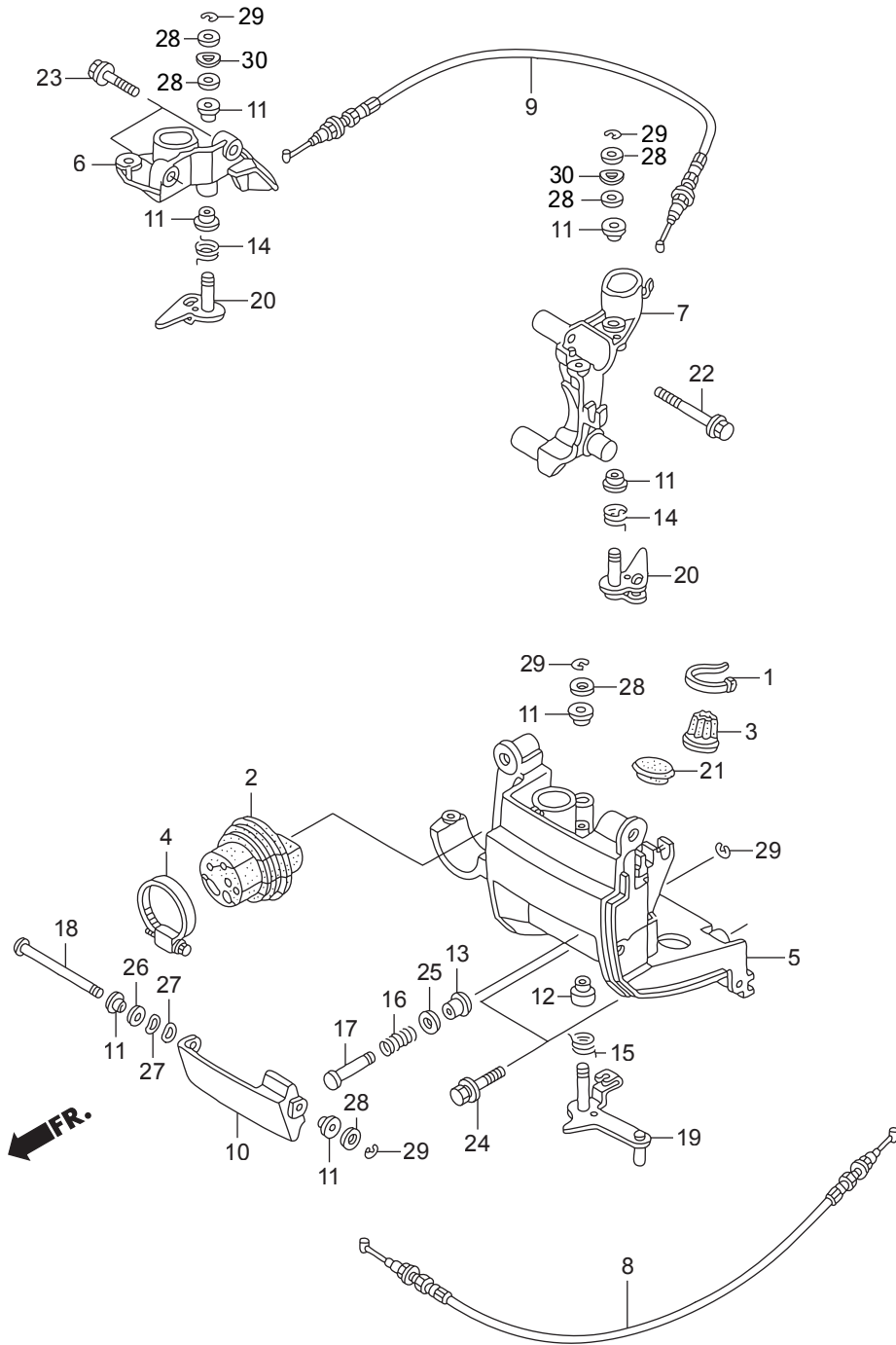








| Ref.No. | Part No. | Description      | Q' ty                         | Remarks |                    |
|---------|----------|------------------|-------------------------------|---------|--------------------|
|         |          |                  | BFT150A                       |         |                    |
| F-8-10  | 1        | HMG9-35701-950   | BAND(BLACK 3.5X140)           | 1       |                    |
| F-8-10  | 2        | HZY6-40105-020   | GROMMET, REMOTE CONTROL CABLE | 1       |                    |
| F-8-10  | 3        | HZW1-40107-700   | GROMMET, UNDER CASE(C)        | 1       |                    |
| F-8-10  | 4        | HZY3-40119-003   | BAND, UNDER CASE GROMMET      | 1       |                    |
| F-8-10  | 5        | HZY6-40154-000ZC | BRACKET, FR. UNDER COVER      | 1       | *T107* BAY BLUE    |
| F-8-10  | 6        | HZY6-40155-000   | BRACKET, R. SIDE COVER        | 1       |                    |
| F-8-10  | 7        | HZY6-40157-000   | BRACKET, L. SIDE COVER        | 1       |                    |
| F-8-10  | 8        | HZY6-60180-003   | CABLE COMP. A, COVER LOCK     | 1       |                    |
| F-8-10  | 9        | HZY6-60185-003   | CABLE COMP. B, COVER LOCK     | 1       |                    |
| F-8-10  | 10       | HZY3-63201-000ZC | LEVER, COVER LOCK             | 1       | *T107* BAY BLUE    |
| F-8-10  | 11       | HZY3-63205-000   | BUSH A, COVER LOCK            | 7       |                    |
| F-8-10  | 12       | HZY6-63205-000   | BUSH A, COVER LOCK            | 1       |                    |
| F-8-10  | 13       | HZY3-63208-000   | BUSH B, COVER LOCK            | 1       |                    |
| F-8-10  | 14       | HZY3-63212-000   | SPRING, COVER LOCK HOOK       | 2       |                    |
| F-8-10  | 15       | HZY6-63212-000   | SPRING, COVER LOCK HOOK       | 1       |                    |
| F-8-10  | 16       | HZY6-63223-000   | SPRING, LOCK LEVER RETURN     | 1       |                    |
| F-8-10  | 17       | HZY3-63224-000   | SHAFT, COVER OPEN             | 1       |                    |
| F-8-10  | 18       | HZY6-63225-000   | SHAFT, FR. LOCK               | 1       |                    |
| F-8-10  | 19       | HZY6-63240-000   | LOCK COMP., FR.               | 1       | #~6000315<br>LA,XA |
| F-8-10  | 19       | HZY6-63240-000   | LOCK COMP., FR.               | 1       | #~7000018<br>XCA   |
| F-8-10  | 19       | HZY6-63240-010   | LOCK COMP., FR.               | 1       | #6000316~<br>LA,XA |
| F-8-10  | 19       | HZY6-63240-010   | LOCK COMP., FR.               | 1       | #7000019~<br>XCA   |
| F-8-10  | 20       | HZY3-63260-000   | LOCK COMP., SIDE              | 2       |                    |
| F-8-10  | 21       | HZC0-63515-700   | CAP, L. SIDE COVER            | 1       |                    |
| F-8-10  | 22       | HZY6-90001-000   | BOLT, FLANGE, 8X55            | 2       |                    |
| F-8-10  | 23       | HZY3-90030-000   | BOLT, FLANGE, 6X22            | 2       |                    |
| F-8-10  | 24       | HZY6-90105-000   | BOLT-WASHER, 8X30             | 2       |                    |
| F-8-10  | 25       | HMM8-90501-610   | WASHER, PLAIN, 8MM            | 1       |                    |
| F-8-10  | 26       | HMM8-90502-610   | WASHER, PLAIN, 10MM           | 1       |                    |

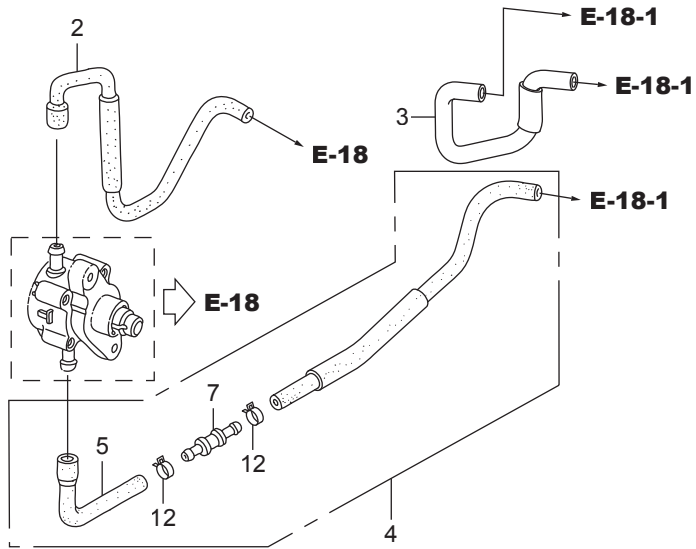




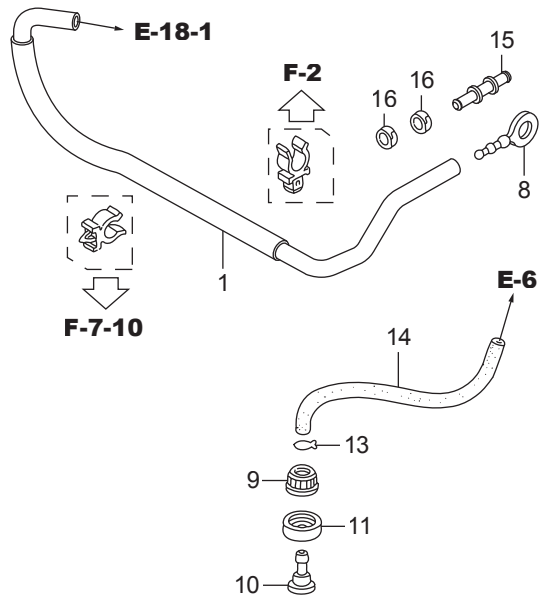




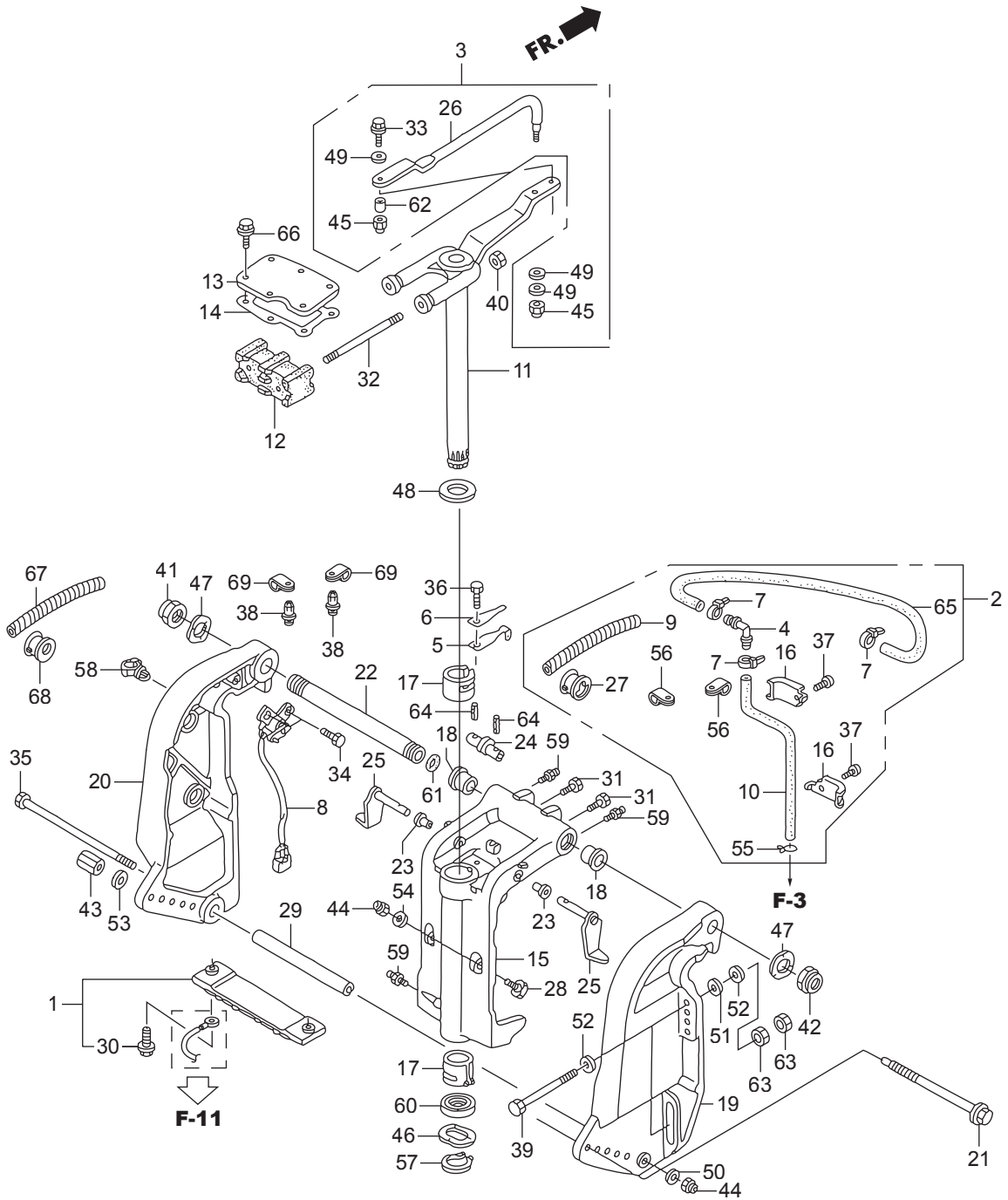




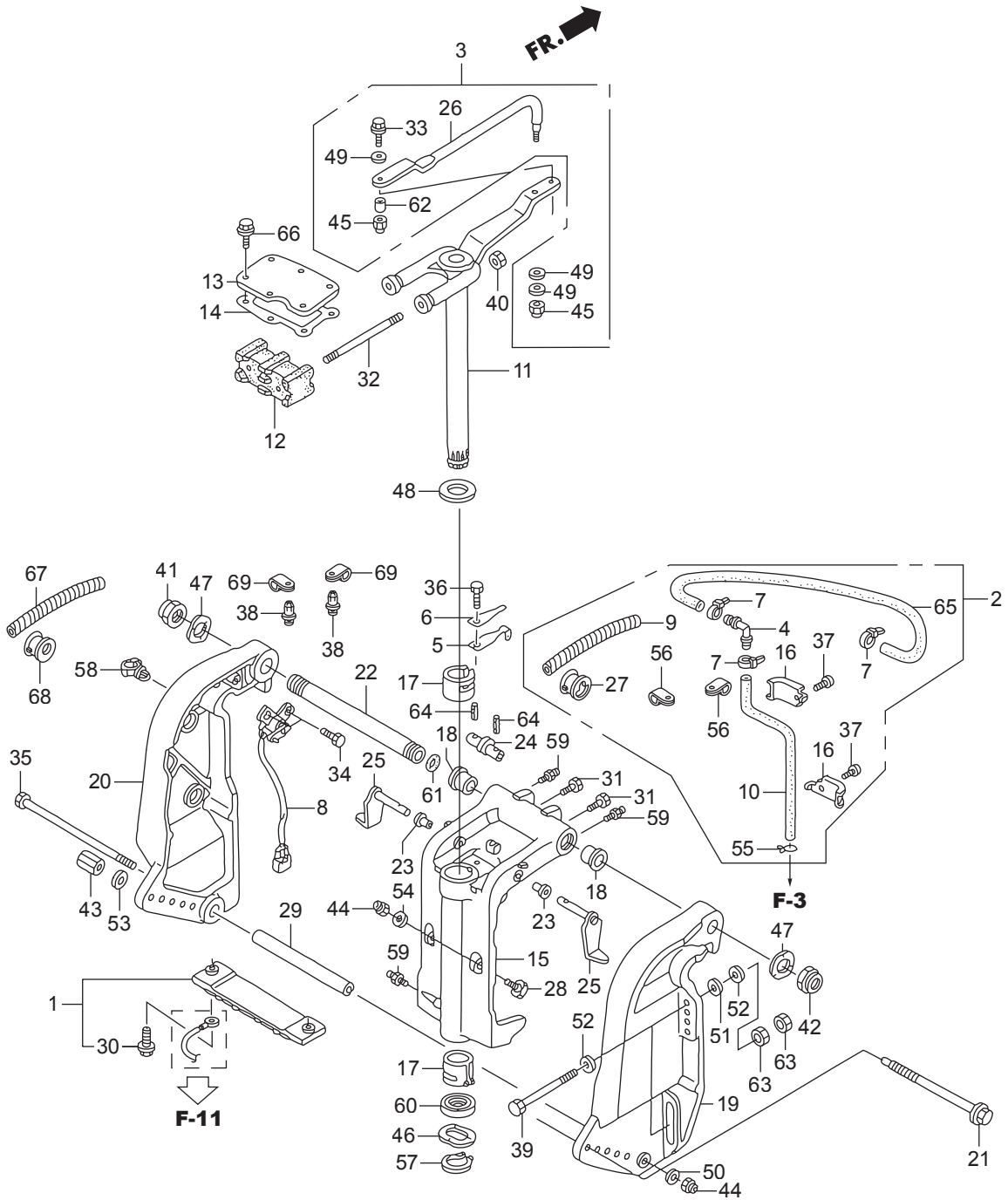
FR. →



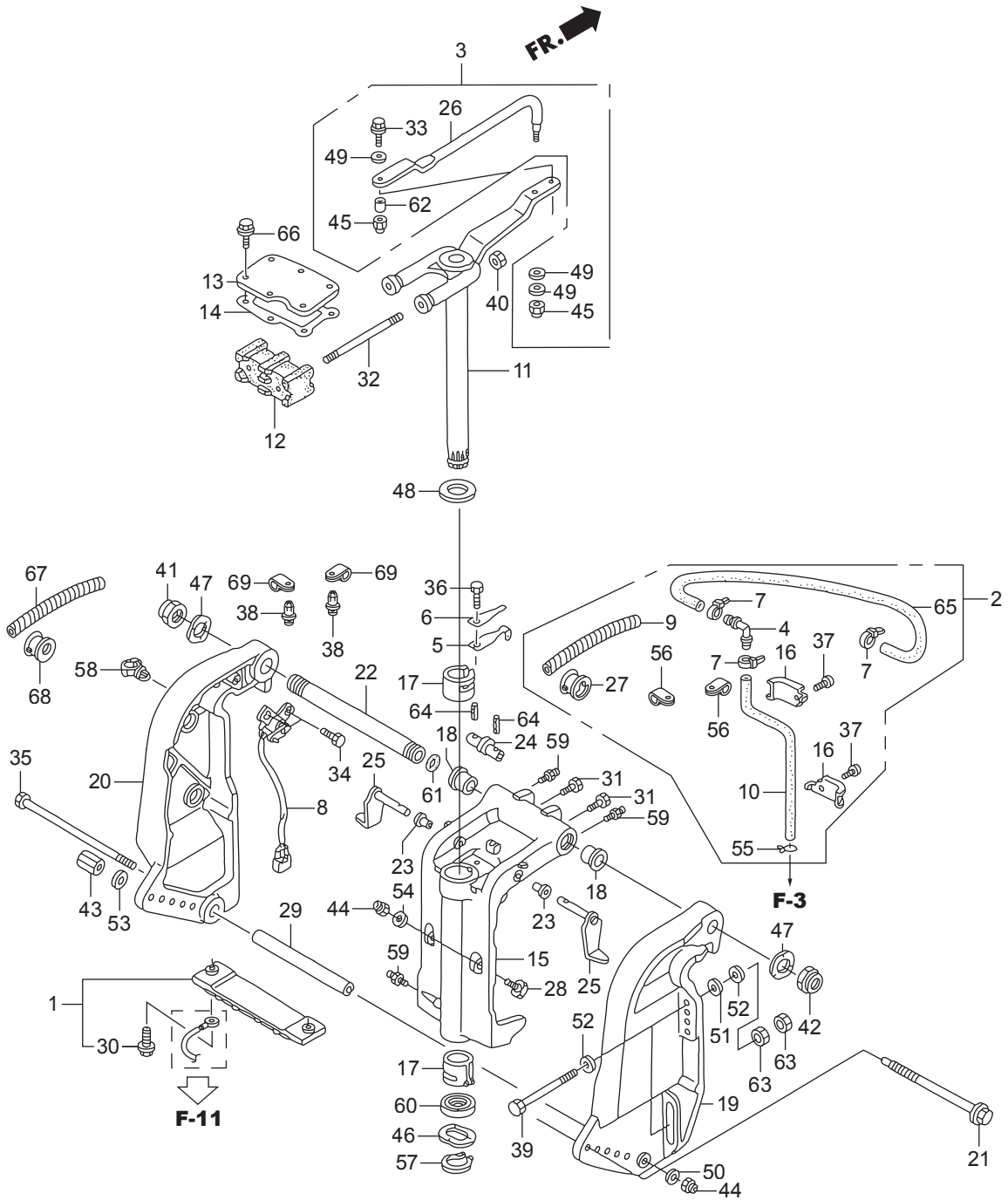




| Ref.No. | Part No. | Description      | Q' ty                         | Remarks |                 |
|---------|----------|------------------|-------------------------------|---------|-----------------|
|         |          |                  | BFT150A                       |         |                 |
| F-10    | 1        | HZW1-06411-020   | METAL KIT, ANODE              | 1       |                 |
| F-10    | 2        | HZY6-06411-000   | TUBE KIT, SPEED SENSOR        | 1       |                 |
| F-10    | 3        | HZY6-06532-U00   | ROD KIT, STEERING             | 1       |                 |
| F-10    | 4        | HGE1-17357-670   | JOINT A, BREATHER             | 1       |                 |
| F-10    | 5        | HZV1-24210-010   | SPRING COMP., CLICK           | 1       |                 |
| F-10    | 6        | HZV4-24221-010   | SPRING, CLICK ASSIST          | 1       |                 |
| F-10    | 7        | HKM3-32161-003   | BAND, WIRE                    | 3       |                 |
| F-10    | 8        | HZY6-35660-013   | SENSOR ASSY., TRIM ANGLE      | 1       |                 |
| F-10    | 9        | HZY6-36104-003   | TUBE, SPIRAL                  | 1       |                 |
| F-10    | 10       | HZY6-41173-000   | TUBE, SPEED SENSOR            | 1       |                 |
| F-10    | 11       | HZY6-50100-000   | FRAME COMP., MOUNTING         | 1       |                 |
| F-10    | 12       | HZW5-50151-000   | MOUNT COMP., UPPER RUBBER     | 1       |                 |
| F-10    | 13       | HZY6-50167-000   | HOLDER, UPPER MOUNTING        | 1       |                 |
| F-10    | 14       | HZY6-50168-003   | GASKET, UPPER MOUNTING HOLDER | 1       |                 |
| F-10    | 15       | HZW1-50201-040ZC | CASE, SWIVEL                  | 1       | *T107* BAY BLUE |
| F-10    | 16       | HZY6-50209-000   | PLATE, SPEED SENSOR TUBE      | 2       |                 |
| F-10    | 17       | HZZ5-50211-000   | LINER, SWIVEL CASE            | 2       |                 |
| F-10    | 18       | HZW1-50214-000   | BUSH, SWIVEL CASE             | 2       |                 |
| F-10    | 19       | HZW1-50301-070ZC | BRACKET, R. STERN             | 1       | *T107* BAY BLUE |
| F-10    | 20       | HZW1-50311-070ZC | BRACKET, L. STERN             | 1       | *T107* BAY BLUE |
| F-10    | 21       | HZW5-50341-010   | ROD, ADJUSTING                | 1       |                 |
| F-10    | 22       | HZY3-50381-000   | SHAFT, TILTING                | 1       |                 |
| F-10    | 23       | HZV5-50522-000   | BUSH, TILT ARM                | 2       |                 |
| F-10    | 24       | HZW1-50527-000   | BRACKET, TILTING              | 1       |                 |
| F-10    | 25       | HZW1-50529-000   | STOPPER, TILT                 | 2       |                 |
| F-10    | 26       | HZW1-53238-010   | ROD, STEERING                 | 1       |                 |
| F-10    | 27       | HZY6-56118-000   | BUSH, MOTOR CODE              | 1       |                 |
| F-10    | 28       | HZW1-56516-000   | RECEIVER, THRUST              | 2       |                 |
| F-10    | 29       | HZW1-56539-000   | COLLAR, LOWER CYLINDER        | 1       |                 |

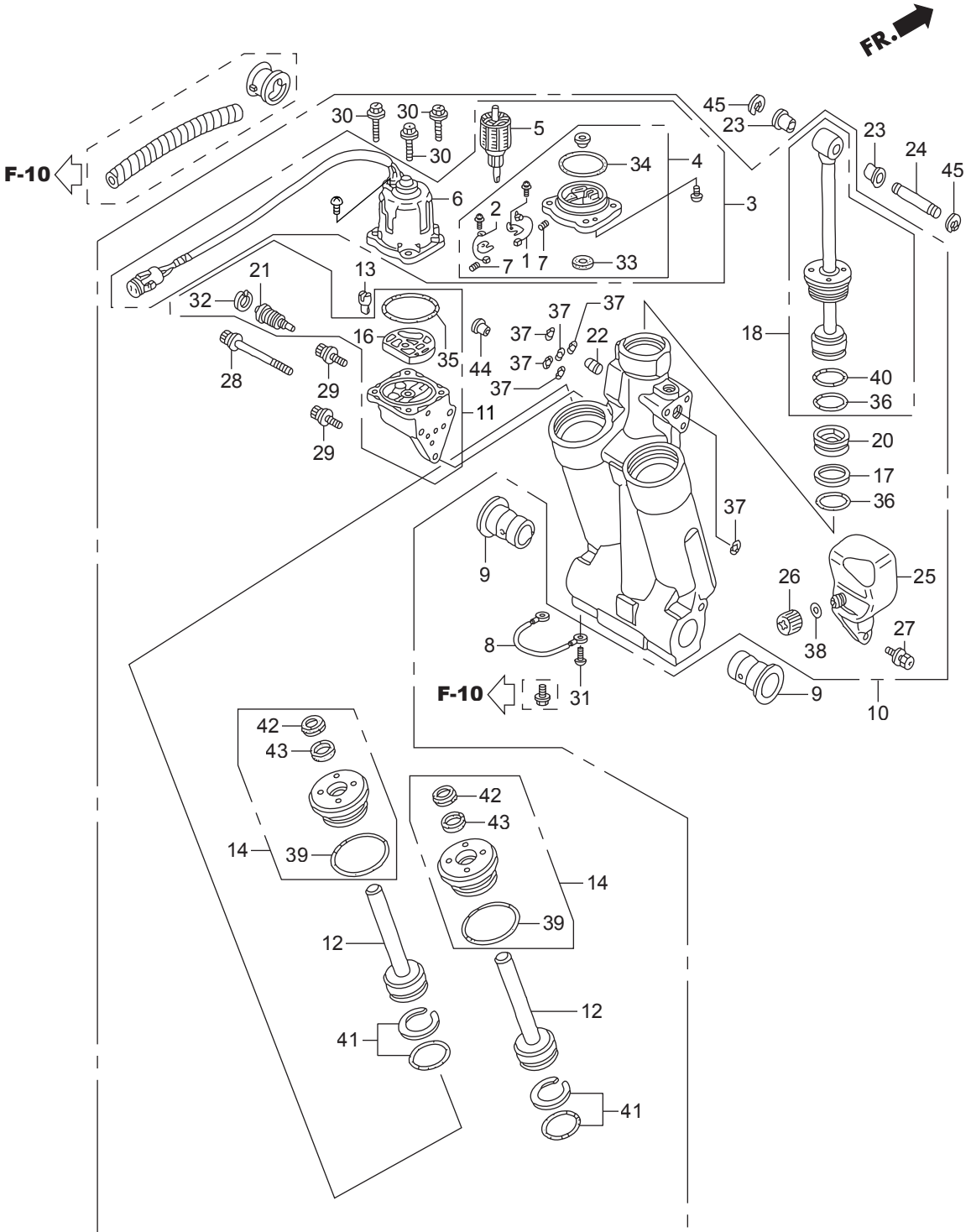


| Ref.No. | Part No. | Description    | Q' ty                     | Remarks |  |
|---------|----------|----------------|---------------------------|---------|--|
|         |          |                | BFT150A                   |         |  |
| F-10    | 30       | HZW9-90009-000 | BOLT, FLANGE, 6X23        | 2       |  |
| F-10    | 31       | HZW1-90102-000 | BOLT, 1/4-28UNF           | 2       |  |
| F-10    | 32       | HZY6-90102-000 | BOLT, STUD, 12X145        | 2       |  |
| F-10    | 33       | HZW1-90105-000 | BOLT, 3/8-24UNF           | 1       |  |
| F-10    | 34       | HZW9-90105-000 | BOLT, FLANGE, 6X20        | 2       |  |
| F-10    | 35       | HZW1-90108-000 | BOLT, HEX., 10X235        | 1       |  |
| F-10    | 36       | H881-90110-000 | BOLT, HEX., 6X14          | 1       |  |
| F-10    | 37       | HZV5-90119-000 | SCREW, PAN, 6X8           | 2       |  |
| F-10    | 38       | HZV5-90127-003 | SCREW, RIVET, 5X10        | 2       |  |
| F-10    | 39       | HZX2-90129-000 | BOLT, HEX., 12X130        | 4       |  |
| F-10    | 40       | HZW5-90302-003 | NUT, FLANGE, 12MM         | 2       |  |
| F-10    | 41       | HZV5-90304-013 | NUT, SELF-LOCK(7/8-14UNF) | 1       |  |
| F-10    | 42       | HZW1-90304-013 | NUT, SELF-LOCK(25X2.0)    | 1       |  |
| F-10    | 43       | HZW5-90304-000 | NUT, ADJUSTER ROD         | 1       |  |
| F-10    | 44       | HZW4-90306-003 | NUT, FLANGE, 10MM         | 3       |  |
| F-10    | 45       | HZV5-90307-003 | NUT, SELF-LOCK(3/8-24UNF) | 2       |  |
| F-10    | 46       | HZV5-90501-000 | WASHER, WAVE, 40MM        | 1       |  |
| F-10    | 47       | HZV5-90502-000 | WASHER, WAVE, 26MM        | 2       |  |
| F-10    | 48       | HZV5-90504-000 | WASHER, THRUST, 34MM      | 1       |  |
| F-10    | 49       | HZV4-90514-000 | WASHER, 10MM              | 3       |  |
| F-10    | 50       | H921-90511-000 | WASHER, PLAIN, 10MM       | 1       |  |
| F-10    | 51       | HZV5-90552-000 | WASHER, PLAIN, 12MM       | 4       |  |
| F-10    | 52       | HZV5-90559-000 | WASHER, PLAIN, 12MM       | 8       |  |
| F-10    | 53       | HZV5-90559-000 | WASHER, PLAIN, 12MM       | 1       |  |
| F-10    | 54       | HZV5-90563-000 | WASHER, PLAIN, 10MM       | 2       |  |
| F-10    | 55       | H921-90602-000 | CLIP, TUBE(B8)            | 1       |  |
| F-10    | 56       | H750-90628-000 | CLIP(14MM)                | 2       |  |
| F-10    | 57       | HZV5-90651-000 | CIRCLIP, EXTERNAL, 39MM   | 1       |  |
| F-10    | 58       | H763-90681-A01 | CLIP, WIRE HARNESS        | 1       |  |





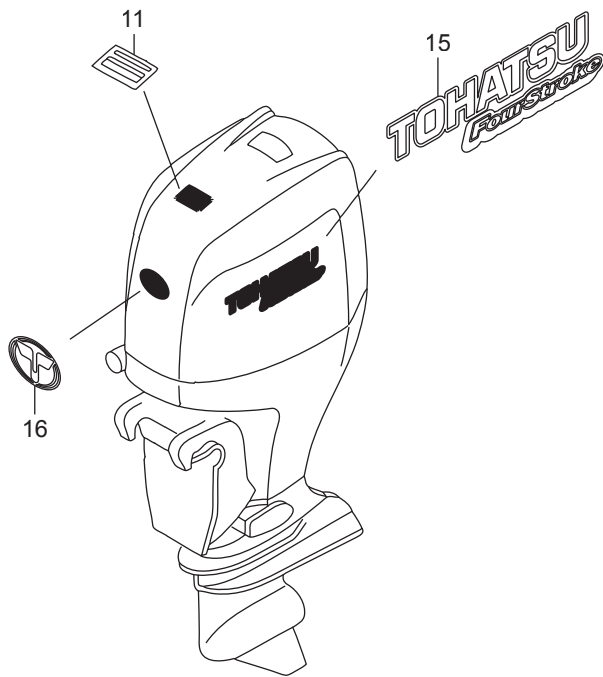
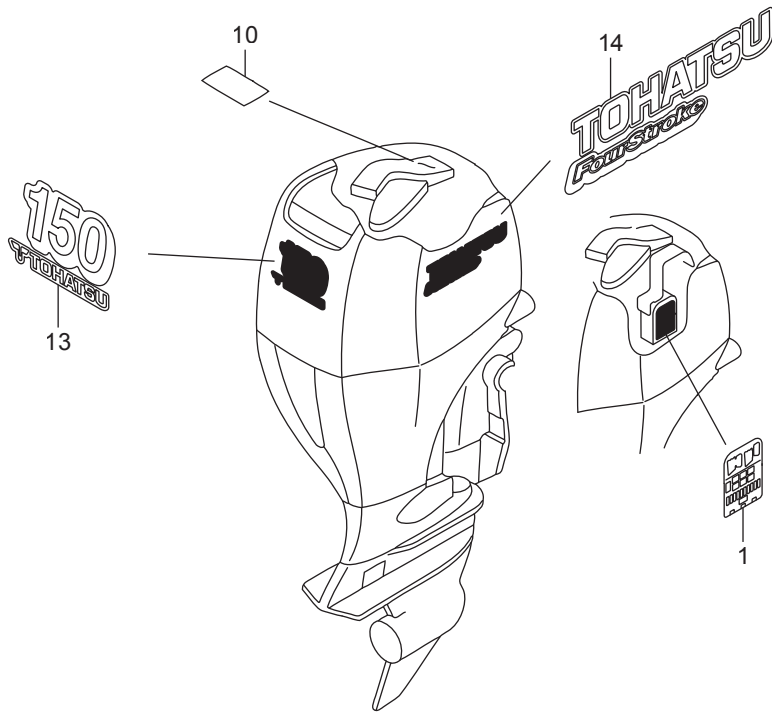




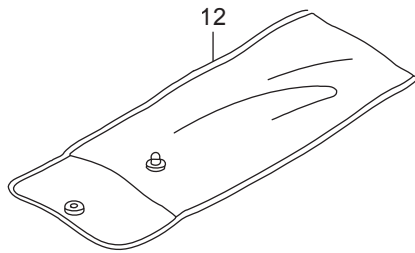
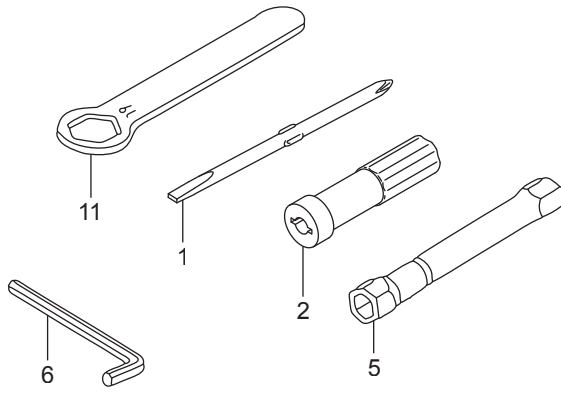
| Ref.No. | Part No. | Description    | Q' ty                   | Remarks |  |
|---------|----------|----------------|-------------------------|---------|--|
|         |          |                | BFT150A                 |         |  |
| F-11    | 1        | HZY3-30280-003 | BREAKER ASSY.           | 1       |  |
| F-11    | 2        | HZY3-31106-003 | BRUSH ASSY.             | 1       |  |
| F-11    | 3        | HZY6-36120-013 | MOTOR ASSY., POWER TILT | 1       |  |
| F-11    | 4        | HZY3-36122-013 | BRACKET ASSY.           | 1       |  |
| F-11    | 5        | HZY3-36123-013 | ARMATURE COMP.          | 1       |  |
| F-11    | 6        | HZY6-36129-013 | YOKE ASSY.              | 1       |  |
| F-11    | 7        | HZV5-36136-821 | SPRING, MOTOR           | 2       |  |
| F-11    | 8        | HZY3-40219-013 | WIRE, LEAD(1.5X116MM)   | 1       |  |
| F-11    | 9        | HZV5-50214-003 | BUSH, SWIVEL CASE       | 2       |  |
| F-11    | 10       | HZY6-56000-043 | TRIM-TILT ASSY., POWER  | 1       |  |
| F-11    | 11       | HZY6-56100-013 | PUMP ASSY.              | 1       |  |
| F-11    | 12       | HZW1-56110-701 | ROD COMP., PISTON(B)    | 2       |  |
| F-11    | 13       | HZW1-56113-701 | JOINT, DRIVE            | 1       |  |
| F-11    | 14       | HZY9-56115-003 | GUIDE COMP., ROD        | 2       |  |
| F-11    |          |                |                         |         |  |
| F-11    | 16       | HZW1-56116-701 | FILTER B                | 1       |  |
| F-11    | 17       | HZV5-56117-821 | RING, BACK UP           | 1       |  |
| F-11    | 18       | HZY9-56120-003 | ROD COMP., PISTON       | 1       |  |
| F-11    |          |                |                         |         |  |
| F-11    | 20       | HZW1-56130-702 | PISTON COMP., FREE      | 1       |  |
| F-11    | 21       | HZY3-56170-013 | VALVE COMP., MANUAL     | 1       |  |
| F-11    | 22       | HZW1-56180-701 | VALVE COMP., RESERVOIR  | 1       |  |
| F-11    | 23       | HZV5-56513-000 | BUSH, LOWER CYLINDER    | 2       |  |
| F-11    | 24       | HZW1-56532-000 | PIN, UPPER CYLINDER     | 1       |  |
| F-11    | 25       | HZW1-56851-703 | TANK, OIL               | 1       |  |
| F-11    | 26       | HZW1-56860-701 | CAP COMP., OIL TANK     | 1       |  |
| F-11    | 27       | HZW1-90113-702 | BOLT, RECESSED          | 3       |  |
| F-11    | 28       | HZW1-90114-702 | BOLT, SOCKET(A)         | 1       |  |
| F-11    | 29       | HZW1-90115-702 | BOLT, SOCKET(B)         | 2       |  |





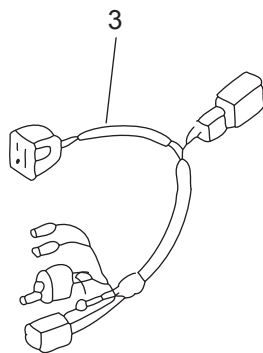
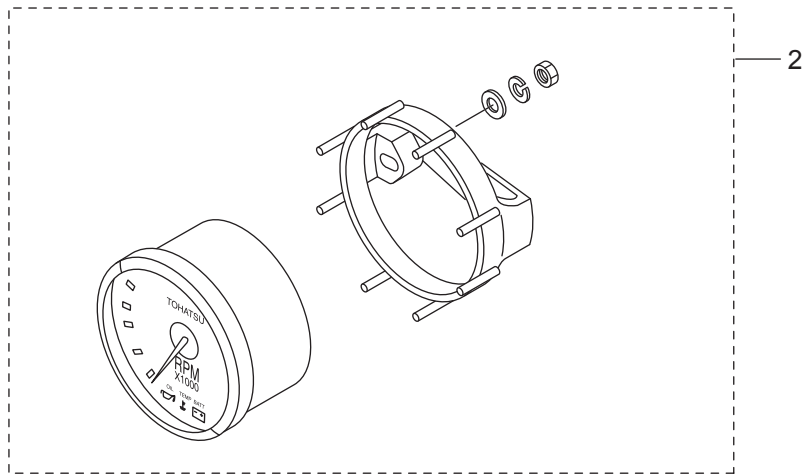
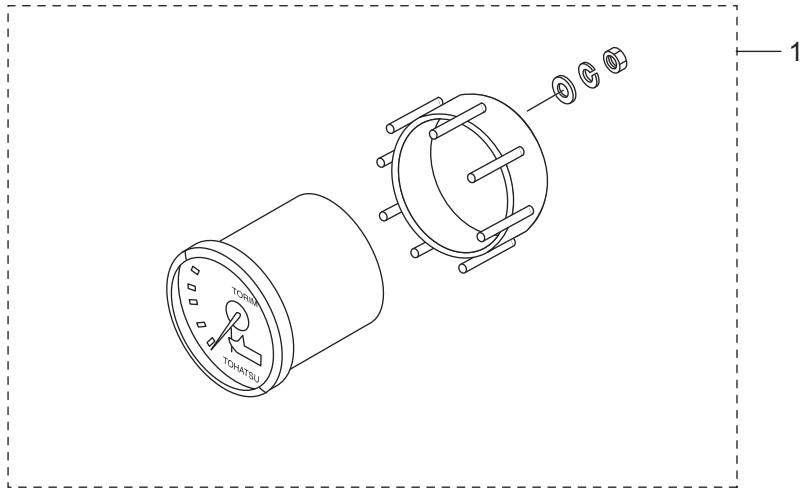




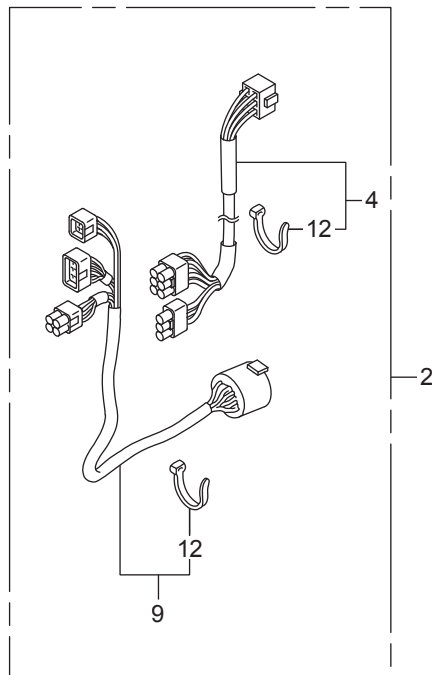
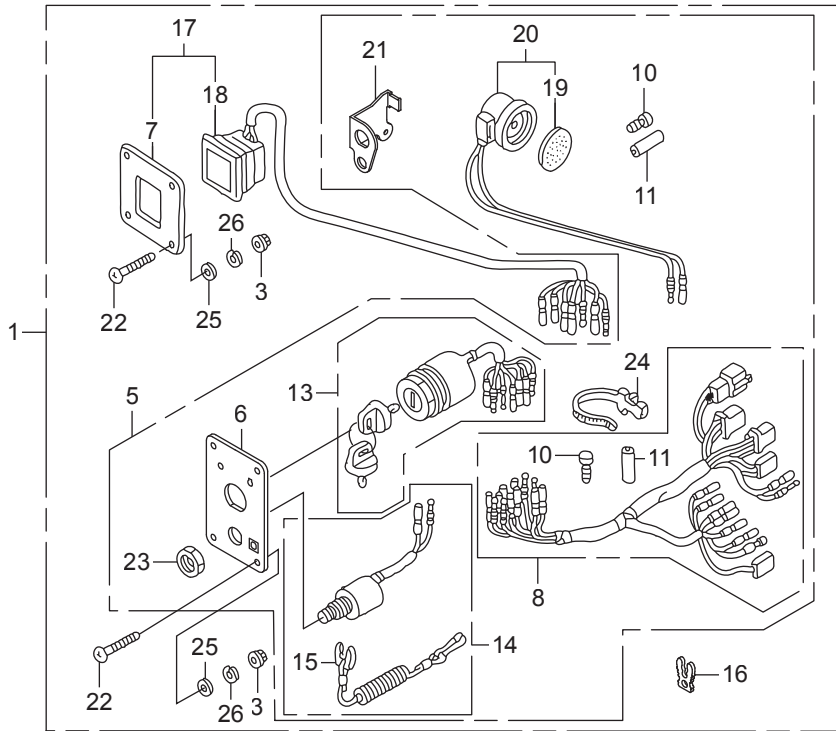




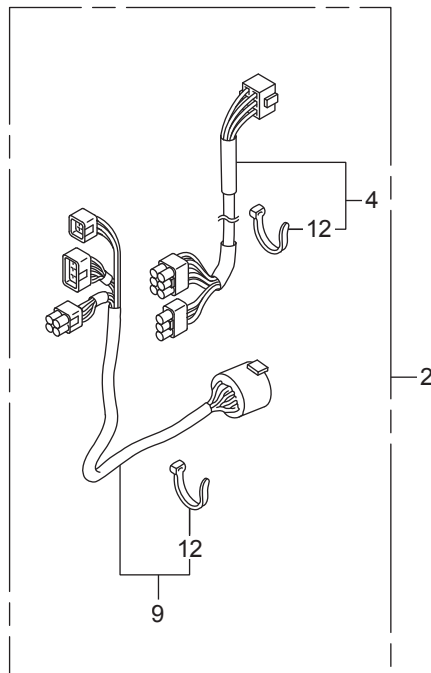
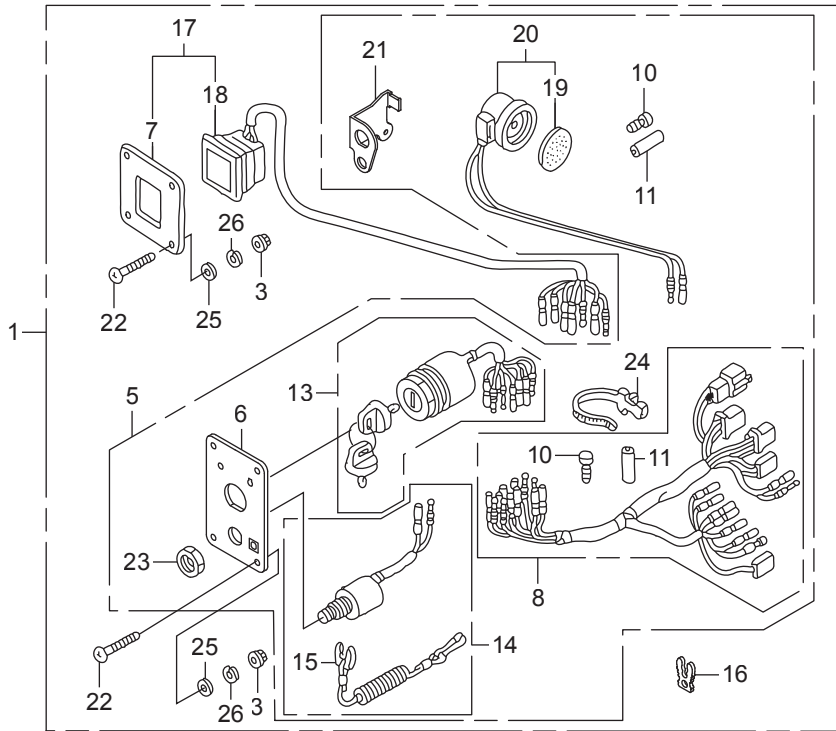




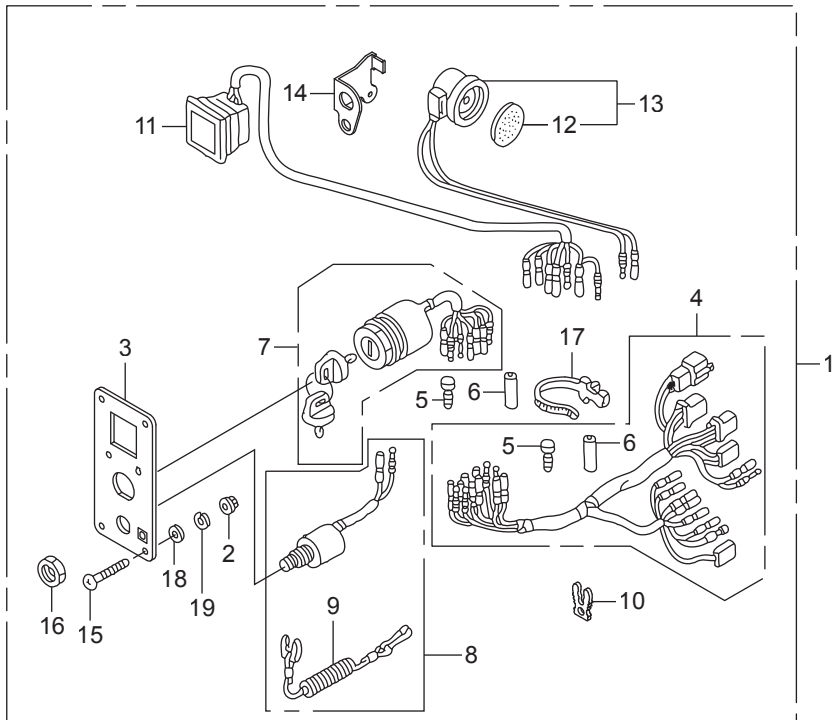




| Ref.No. | Part No. | Description    | Q' ty                                     | Remarks |        |
|---------|----------|----------------|---|---------|--------|
|         |          |                | BFT150A                                   |         |        |
| FOP-6   | 1        | HZZ3-06323-R20 | PANEL KIT, SWITCH(B)(4-LED)               | 1       |        |
| FOP-6   | 2        | HZZ5-06325-600 | CABLE SET, PANEL INDICATOR                | 1       | (20FT) |
| FOP-6   | 2        | HZZ5-06325-700 | CABLE SET, PANEL INDICATOR                | 1       | (25FT) |
| FOP-6   | 2        | HZZ5-06325-800 | CABLE SET, PANEL INDICATOR                | 1       | (30FT) |
| FOP-6   | 3        | HMT8-18334-770 | NUT, FLANGE, 5MM                          | 8       |        |
| FOP-6   | 4        | HZZ5-32185-600 | CORD ASSY., INDICATOR(20FT)               | 1       |        |
| FOP-6   | 4        | HZZ5-32185-700 | CORD ASSY., INDICATOR(25FT)               | 1       |        |
| FOP-6   | 4        | HZZ5-32185-800 | CORD ASSY., INDICATOR(30FT)               | 1       |        |
| FOP-6   | 5        | HZZ3-32341-R31 | PANEL ASSY., SWITCH                       | 1       |        |
| FOP-6   | 6        | HZZ3-32346-R21 | PANEL, CONTROL                            | 1       |        |
| FOP-6   | 7        | HZZ3-32347-R01 | PANEL, CONTROL                            | 1       |        |
| FOP-6   | 8        | HZZ5-32545-000 | HARNESS ASSY., SWITCH PANEL               | 1       |        |
| FOP-6   | 9        | HZZ5-32580-600 | CABLE ASSY., SWITCH PANEL                 | 1       | (20FT) |
| FOP-6   | 9        | HZZ5-32580-700 | CABLE ASSY., SWITCH PANEL                 | 1       | (25FT) |
| FOP-6   | 9        | HZZ5-32580-800 | CABLE ASSY., SWITCH PANEL                 | 1       | (30FT) |
| FOP-6   | 9        | HZZ5-32580-D01 | CABLE ASSY., SWITCH PANEL (20FT)(NHK MEC) | 1       |        |
| FOP-6   | 9        | HZZ5-32580-D11 | CABLE ASSY., SWITCH PANEL (25FT)(NHK MEC) | 1       |        |
| FOP-6   | 9        | HZZ5-32580-D21 | CABLE ASSY., SWITCH PANEL (30FT)(NHK MEC) | 1       |        |
| FOP-6   | 10       | HZV5-32823-003 | PLUG, INNER CONNECTOR                     | 8       |        |
| FOP-6   | 11       | HZV5-32824-003 | PLUG, OUTER CONNECTOR                     | 3       |        |
| FOP-6   | 12       | H952-32901-770 | TIE, CABLE(NATURAL)(2.4X92)               | 6       |        |
| FOP-6   | 13       | HZZ3-35100-R11 | SWITCH ASSY., COMBINATION                 | 1       |        |
| FOP-6   | 14       | HZV5-36180-033 | SWITCH ASSY., EMERGENCY STOP              | 1       |        |
| FOP-6   | 15       | HZV4-36182-651 | CORD COMP., EMERGENCY                     | 1       |        |
| FOP-6   | 16       | HZV4-36187-652 | CLIP, EMERGENCY LOCK                      | 2       |        |
| FOP-6   | 17       | HZZ3-37205-R01 | PANEL ASSY., INDICATOR(4-LED)             | 1       |        |
| FOP-6   | 18       | HZZ5-37210-762 | LAMP ASSY., INDICATION(4-LED)             | 1       |        |
| FOP-6   | 19       | H341-38403-672 | PLATE, WINKER BUZZER                      | 1       |        |
| FOP-6   | 20       | HZV5-38410-003 | BUZZER COMP., WARNING                     | 1       |        |

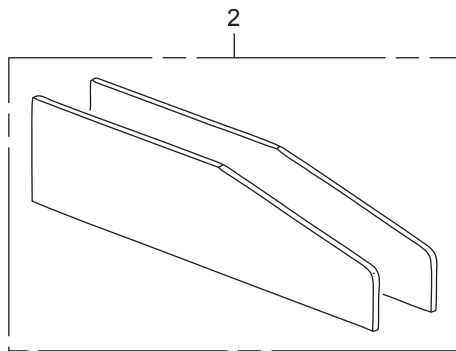
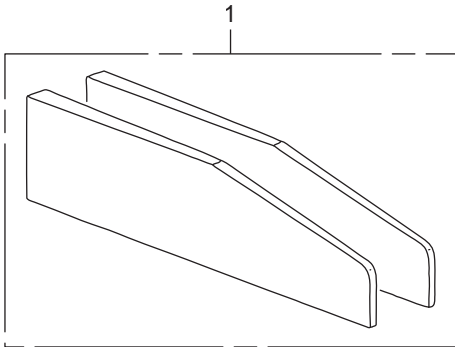




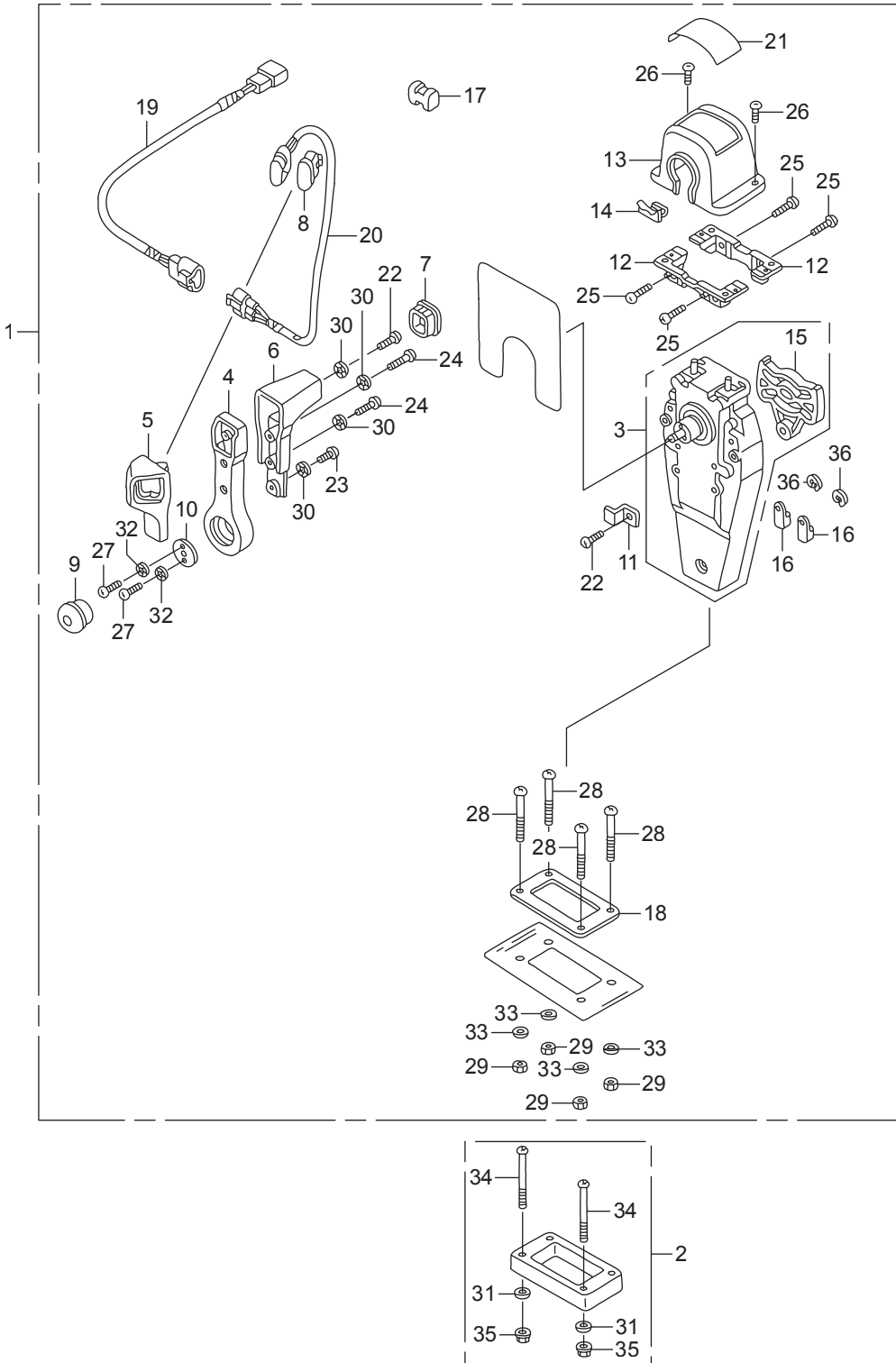




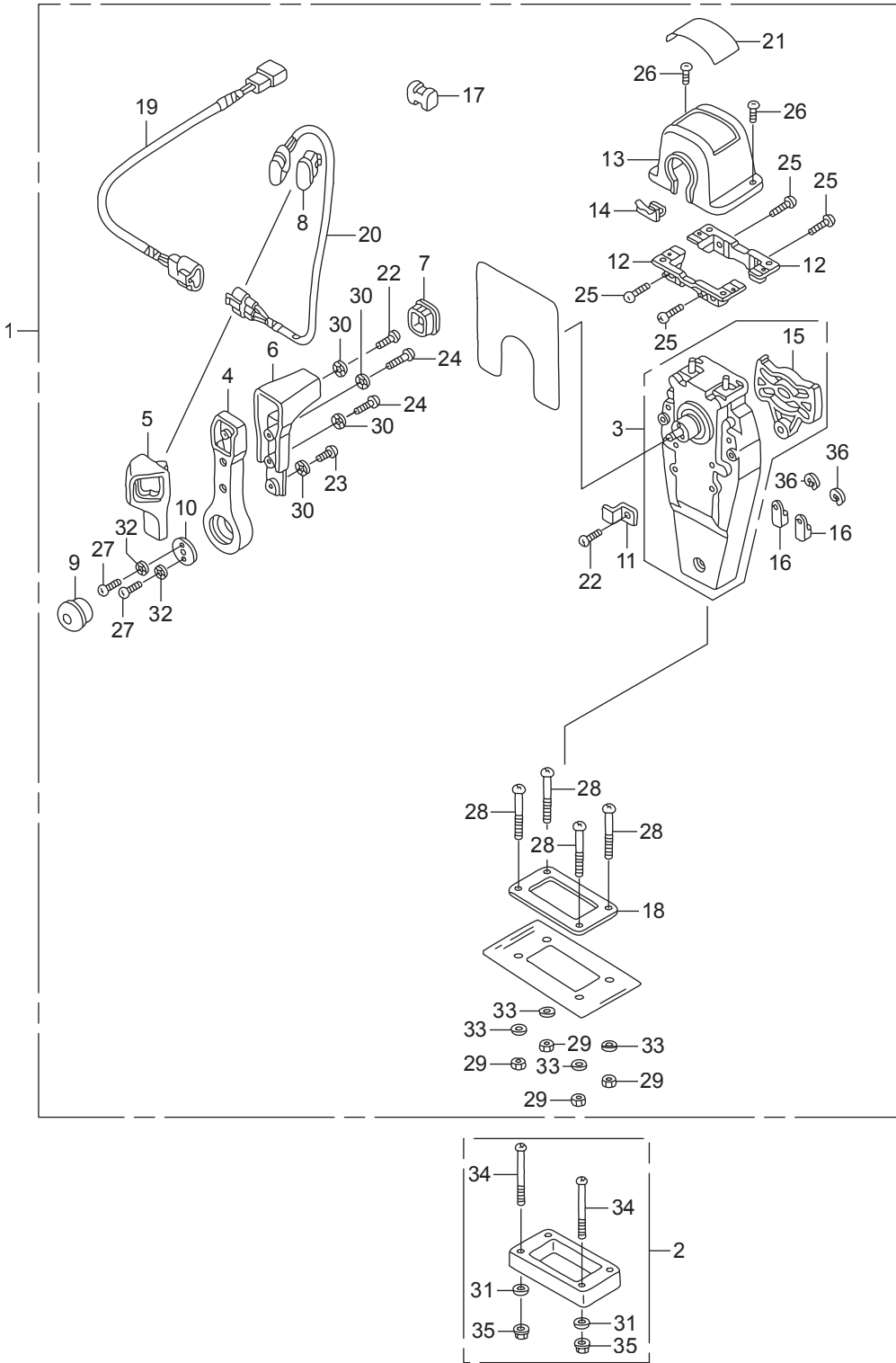




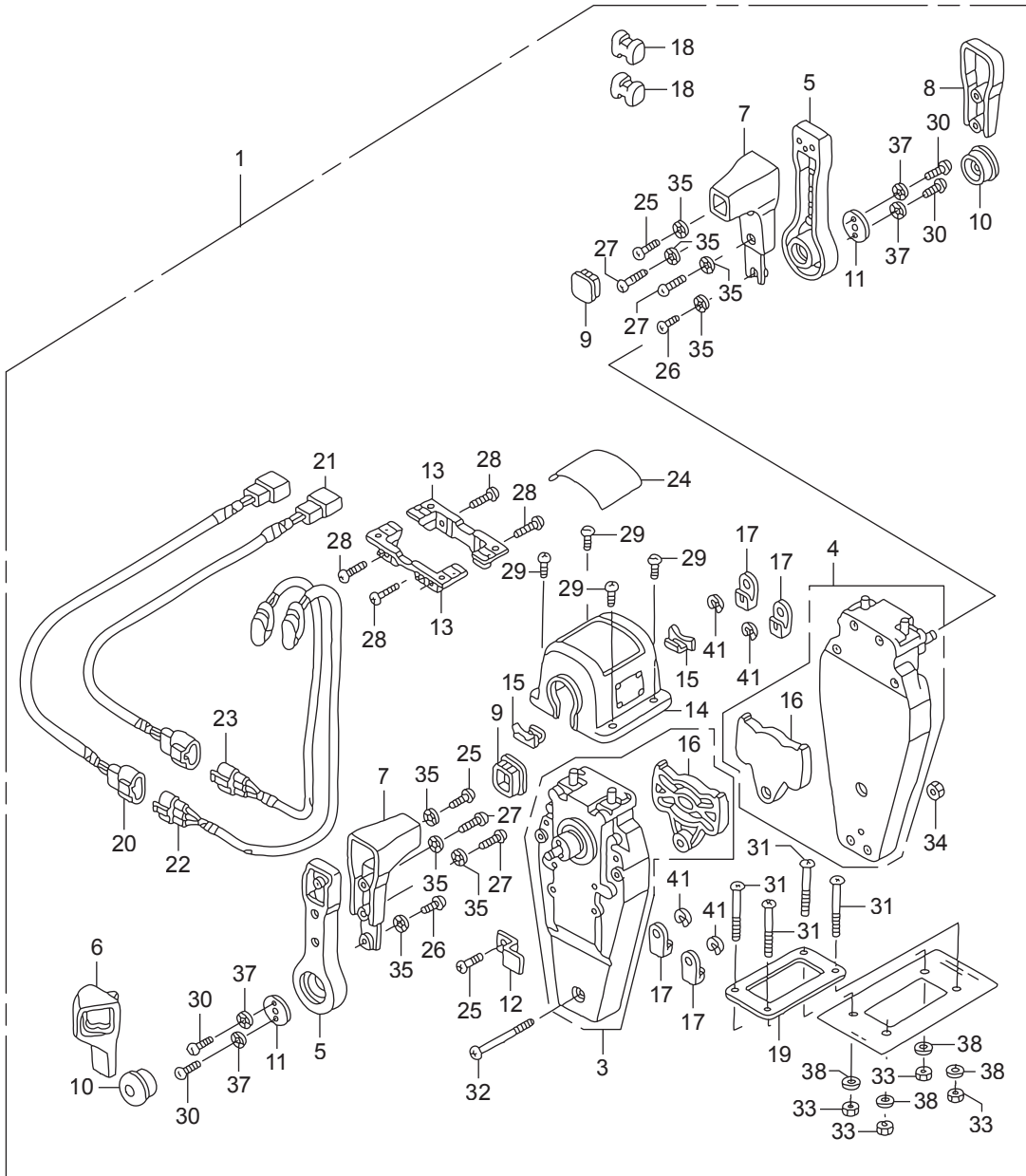




| Ref.No. | Part No. | Description    | Q' ty                          | Remarks |                        |
|---------|----------|----------------|--------------------------------|---------|------------------------|
|         |          |                | BFT150A                        |         |                        |
| FOP-8   | 1        | HZZ3-06240-R30 | BOX KIT, REMOTE CONTROL        | 1       | (TOP MOUNT SINGLE)(R.) |
| FOP-8   | 2        | HZW5-06241-U00 | SPACER KIT, REMOTE CONTROL BOX | 1       | (TOP MOUNT SINGLE)     |
| FOP-8   | 3        | HZW5-24810-U01 | HOUSING ASSY., L. INNER        | 1       | (TOP MOUNT)            |
| FOP-8   | 4        | HZW5-24811-U01 | HANDLE, REMOTE CONTROL         | 1       |                        |
| FOP-8   | 5        | HZW5-24812-U01 | COVER, L. GRIP                 | 1       |                        |
| FOP-8   | 6        | HZW5-24813-U01 | GRIP, REMOTE CONTROL HANDLE    | 1       |                        |
| FOP-8   | 7        | HZW5-24814-U01 | CAP, GRIP                      | 1       |                        |
| FOP-8   | 8        | HZW5-24815-U01 | CAP, SWITCH                    | 1       |                        |
| FOP-8   | 9        | HZW5-24816-U01 | BUTTON, THROTTLE               | 1       |                        |
| FOP-8   | 10       | HZW5-24817-U01 | PLATE, HANDLE                  | 1       |                        |
| FOP-8   | 11       | HZW5-24818-U01 | PLATE, CABLE CLAMP             | 1       |                        |
| FOP-8   | 12       | HZW5-24819-U01 | BRACKET, REMOTE CONTROL        | 2       | HOUSING                |
| FOP-8   | 13       | HZZ3-24820-R11 | HOUSING COMP., REMOTE CONTROL  | 1       | BOX                    |
| FOP-8   | 14       | HZW5-24825-U01 | HOUSING, LEAD                  | 1       |                        |
| FOP-8   | 15       | HZW5-24826-U01 | PLATE, DWELL                   | 1       |                        |
| FOP-8   | 16       | HZW5-24831-U01 | TERMINAL, CABLE                | 2       |                        |
| FOP-8   | 17       | HZW5-24832-U01 | SPACER, CABLE CLAMP            | 1       |                        |
| FOP-8   | 18       | HZW5-24834-U01 | PACKING, SINGLE                | 1       |                        |
| FOP-8   | 19       | HZW7-32530-U00 | SUB HARNESS ASSY., POWER       | 1       | TRIM-TILT(A)           |
| FOP-8   | 20       | HZW5-35370-U02 | SWITCH ASSY., POWER TRIM-TILT  | 1       | (A)                    |
| FOP-8   | 21       | HZZ3-87703-R81 | MARK, REMOTE CONTROL(SINGLE)   | 1       |                        |
| FOP-8   | 22       | HZW5-90101-U00 | SCREW, PAN, 5X16               | 2       |                        |
| FOP-8   | 23       | HZW5-90102-U00 | SCREW, PAN, 5X10               | 1       |                        |
| FOP-8   | 24       | HZW5-90103-U01 | SCREW, PAN, 5X20               | 2       |                        |
| FOP-8   | 25       | HZW5-90104-U00 | SCREW, PAN, 5X18               | 4       |                        |
| FOP-8   | 26       | HZW5-90105-U01 | SCREW, PAN, 4X10               | 2       |                        |
| FOP-8   | 27       | HZW5-90106-U00 | SCREW, PAN, 6X18               | 2       |                        |
| FOP-8   | 28       | HZW5-90107-U00 | SCREW, PAN, 5X40               | 4       |                        |
| FOP-8   | 29       | HZW5-90301-U00 | NUT, HEX., 5MM                 | 4       |                        |

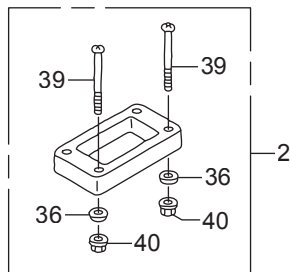
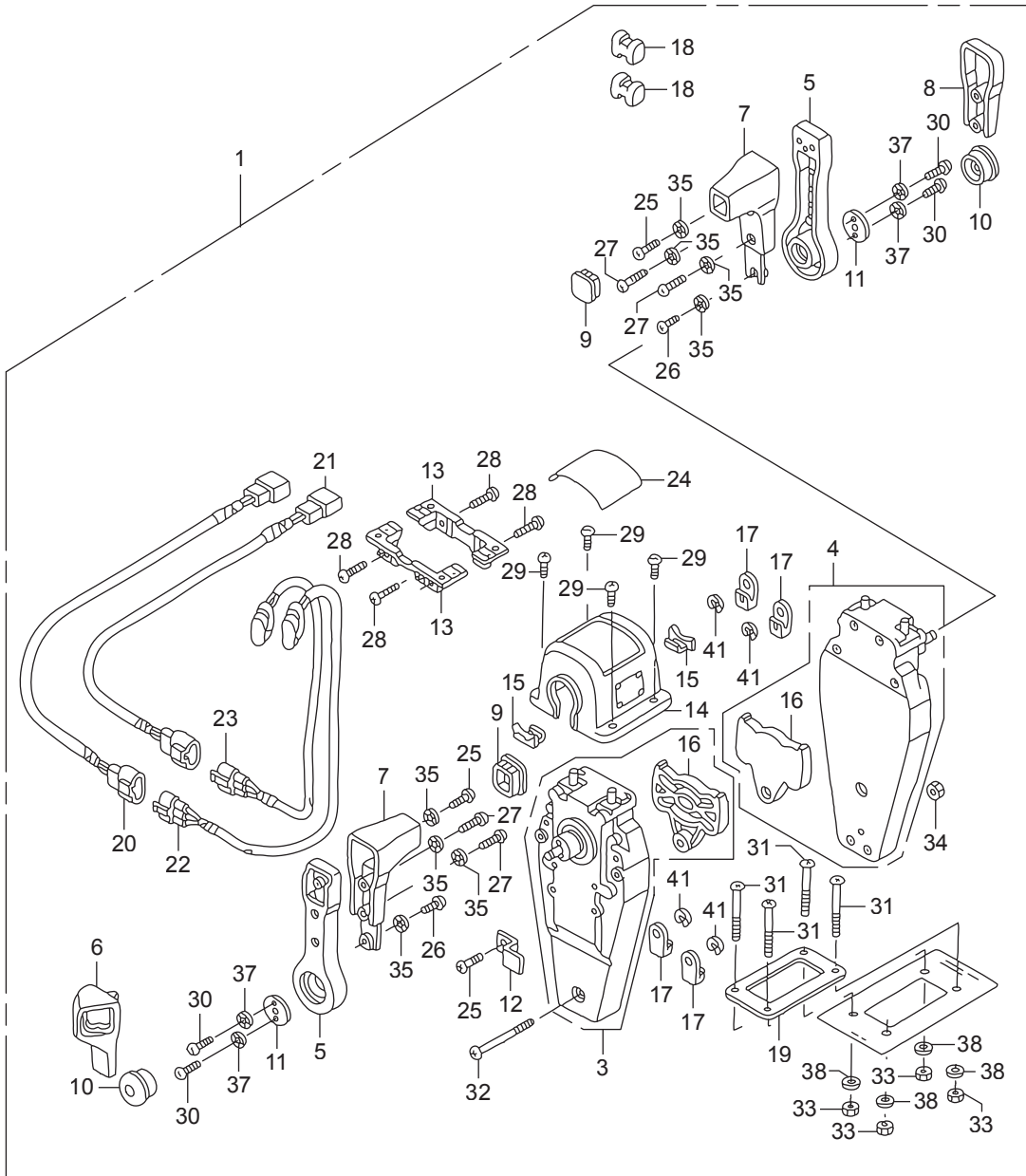




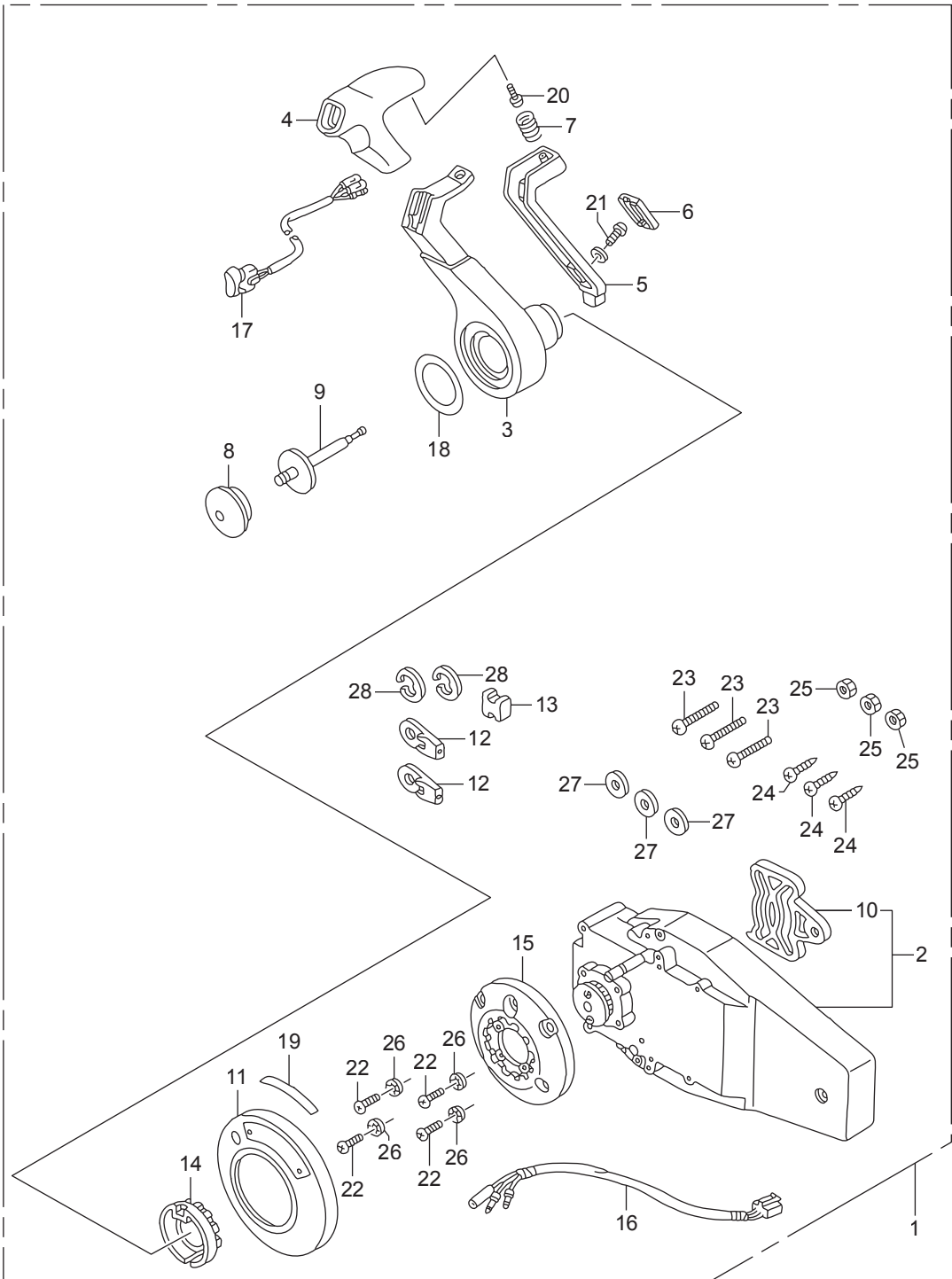




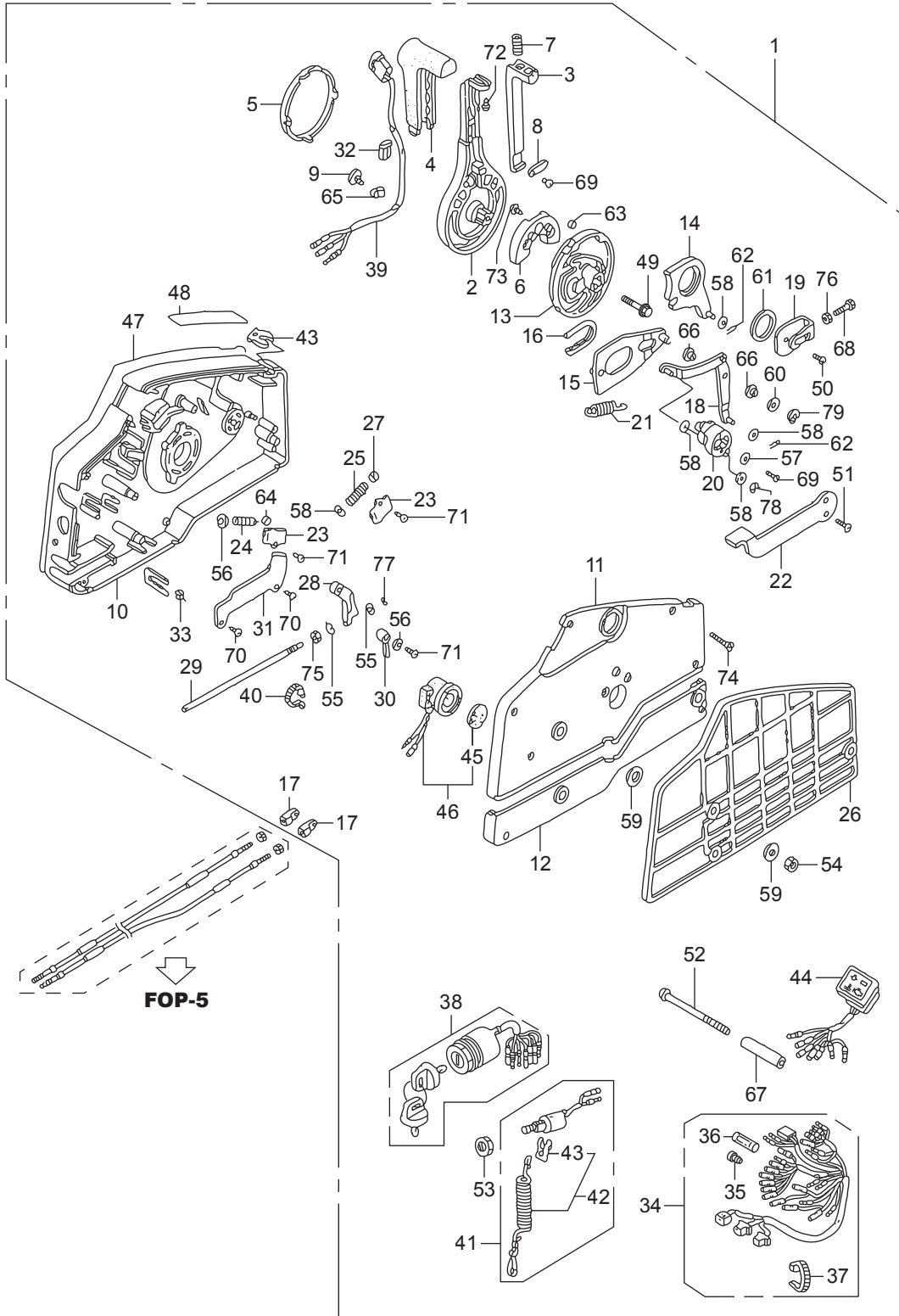
| Ref.No. | Part No. | Description    | Q' ty                                   | Remarks |                      |
|---------|----------|----------------|---|---------|----------------------|
|         |          |                | BFT150A                                 |         |                      |
| FOP-8-2 | 1        | HZZ3-06240-R60 | BOX KIT, REMOTE CONTROL                 | 1       | (TOP MOUNT DUAL)(R.) |
| FOP-8-2 | 2        | HZW5-06241-U10 | SPACER KIT, REMOTE CONTROL BOX          | 1       | (TOP MOUNT DUAL)     |
| FOP-8-2 | 3        | HZW5-24810-U01 | HOUSING ASSY., L. INNER                 | 1       | (TOP MOUNT)          |
| FOP-8-2 | 4        | HZW5-24810-U11 | HOUSING ASSY., R. INNER                 | 1       | (TOP MOUNT)          |
| FOP-8-2 | 5        | HZW5-24811-U01 | HANDLE, REMOTE CONTROL                  | 2       |                      |
| FOP-8-2 | 6        | HZW5-24812-U01 | COVER, L. GRIP                          | 1       |                      |
| FOP-8-2 | 7        | HZW5-24813-U01 | GRIP, REMOTE CONTROL HANDLE             | 2       |                      |
| FOP-8-2 | 8        | HZW5-24813-U21 | COVER, DUAL GRIP                        | 1       |                      |
| FOP-8-2 | 9        | HZW5-24814-U01 | CAP, GRIP                               | 2       |                      |
| FOP-8-2 | 10       | HZW5-24816-U01 | BUTTON, THROTTLE                        | 2       |                      |
| FOP-8-2 | 11       | HZW5-24817-U01 | PLATE, HANDLE                           | 2       |                      |
| FOP-8-2 | 12       | HZW5-24818-U01 | PLATE, CABLE CLAMP                      | 1       |                      |
| FOP-8-2 | 13       | HZW5-24819-U01 | BRACKET, REMOTE CONTROL HOUSING         | 2       |                      |
| FOP-8-2 | 14       | HZZ3-24820-R21 | HOUSING COMP., REMOTE CONTROL BOX(DUAL) | 1       |                      |
| FOP-8-2 | 15       | HZW5-24825-U01 | HOUSING, LEAD                           | 2       |                      |
| FOP-8-2 | 16       | HZW5-24826-U01 | PLATE, DWELL                            | 2       |                      |
| FOP-8-2 | 17       | HZW5-24831-U01 | TERMINAL, CABLE                         | 4       |                      |
| FOP-8-2 | 18       | HZW5-24832-U01 | SPACER, CABLE CLAMP                     | 2       |                      |
| FOP-8-2 | 19       | HZW5-24834-U21 | PACKING, DUAL                           | 1       |                      |
| FOP-8-2 | 20       | HZW7-32530-U00 | SUB HARNESS ASSY., POWER TRIM-TILT(A)   | 1       |                      |
| FOP-8-2 | 21       | HZW7-32530-U10 | SUB HARNESS ASSY., POWER TRIM-TILT(B)   | 1       |                      |
| FOP-8-2 | 22       | HZW5-35370-U02 | SWITCH ASSY., POWER TRIM-TILT (A)       | 1       |                      |
| FOP-8-2 | 23       | HZW5-35370-U12 | SWITCH ASSY., POWER TRIM-TILT (B)       | 1       |                      |
| FOP-8-2 | 24       | HZZ3-87703-R01 | MARK, REMOTE CONTROL(DUAL)              | 1       |                      |
| FOP-8-2 | 25       | HZW5-90101-U00 | SCREW, PAN, 5X16                        | 3       |                      |
| FOP-8-2 | 26       | HZW5-90102-U00 | SCREW, PAN, 5X10                        | 2       |                      |
| FOP-8-2 | 27       | HZW5-90103-U01 | SCREW, PAN, 5X20                        | 4       |                      |
| FOP-8-2 | 28       | HZW5-90104-U00 | SCREW, PAN, 5X18                        | 4       |                      |
| FOP-8-2 | 29       | HZW5-90105-U01 | SCREW, PAN, 4X10                        | 4       |                      |



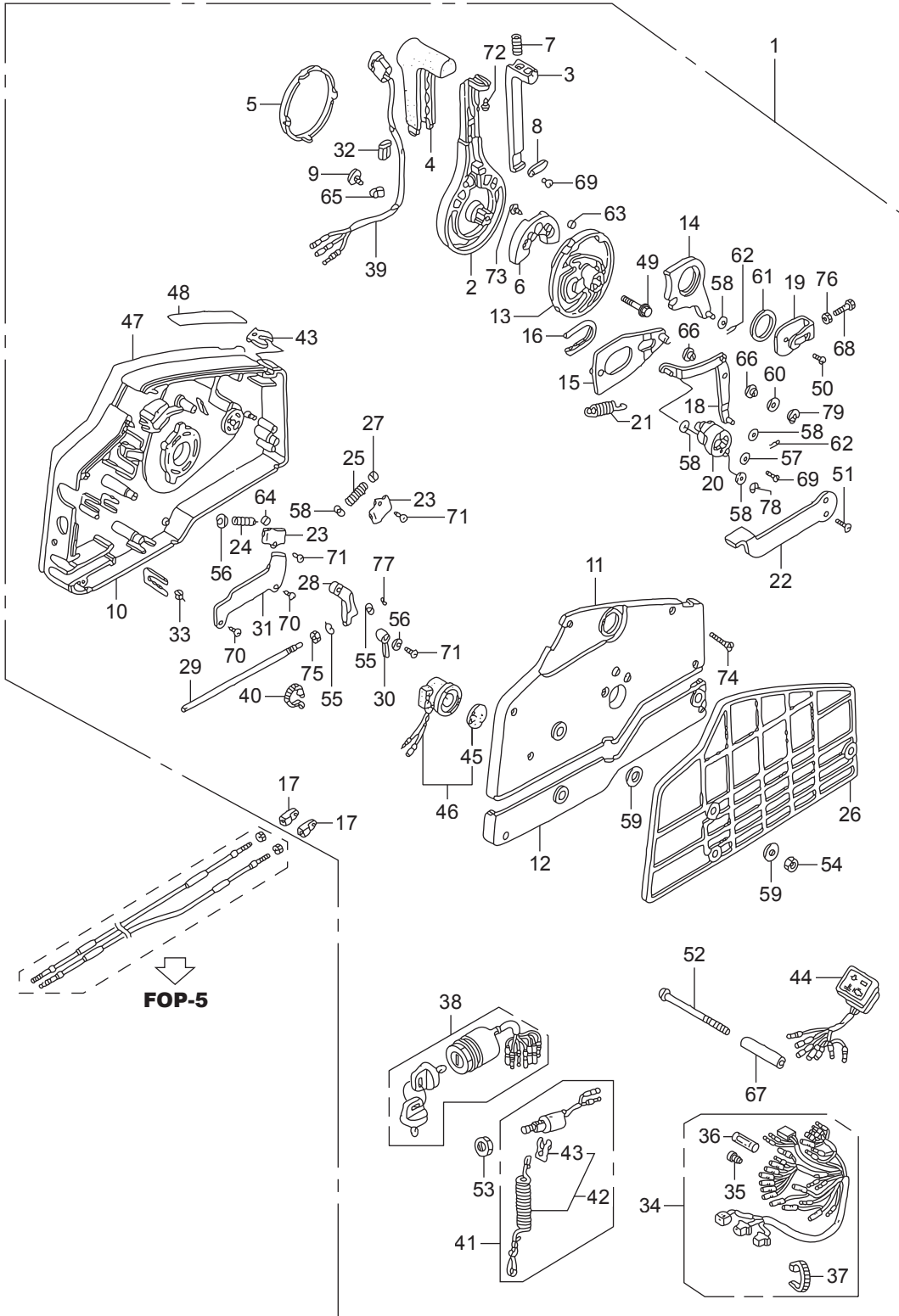




| Ref.No. | Part No. | Description     | Q' ty                                 | Remarks |                   |
|---------|----------|-----------------|---------------------------------------|---------|-------------------|
|         |          |                 | BFT150A                               |         |                   |
| FOP-8-4 | 1        | HZZ3-06240-R40  | BOX KIT, REMOTE CONTROL               | 1       | (FLUSH MOUNT)(R.) |
| FOP-8-4 | 2        | HZW7-24810-U01  | HOUSING ASSY., R. INNER               | 1       | (FLUSH MOUNT)     |
| FOP-8-4 | 3        | HZW7-24811-U01  | HANDLE, REMOTE CONTROL                | 1       |                   |
| FOP-8-4 | 4        | HZW7-24812-U01  | COVER, GRIP                           | 1       |                   |
| FOP-8-4 | 5        | HZW7-24813-U01  | ARM, NEUTRAL LOCK                     | 1       |                   |
| FOP-8-4 | 6        | HZW7-24814-U01  | COVER, LOCK ARM                       | 1       |                   |
| FOP-8-4 | 7        | HZW7-24815-U01  | SPRING, NEUTRAL LOCK ARM              | 1       |                   |
| FOP-8-4 | 8        | HZW5-24816-U01  | BUTTON, THROTTLE                      | 1       |                   |
| FOP-8-4 | 9        | HZW7-24817-U01  | SHAFT, THROTTLE BUTTON                | 1       |                   |
| FOP-8-4 | 10       | HZW5-24826-U01  | PLATE, DWELL                          | 1       |                   |
| FOP-8-4 | 11       | HZZ3-24830-R41  | COVER ASSY.                           | 1       |                   |
| FOP-8-4 | 12       | HZW5-24831-U01  | TERMINAL, CABLE                       | 2       |                   |
| FOP-8-4 | 13       | HZW5-24832-U01  | SPACER, CABLE CLAMP                   | 1       |                   |
| FOP-8-4 | 14       | HZW7-24832-U01  | HOLDER, NEUTRAL LOCK                  | 1       |                   |
| FOP-8-4 | 15       | HZW7-24833-U01  | BASE                                  | 1       |                   |
| FOP-8-4 | 16       | HZW7-32530-U20  | SUB HARNESS ASSY., POWER TRIM-TILT(C) | 1       |                   |
| FOP-8-4 | 17       | HZW7-35370-U02  | SWITCH ASSY., POWER TRIM-TILT (C)     | 1       |                   |
| FOP-8-4 | 18       | HZZ3-87701-R40  | MARK, HANDLE FLUSH MOUNT              | 1       |                   |
| FOP-8-4 | 19       | HZW7-87703-U00  | MARK, FLUSH MOUNT                     | 1       |                   |
| FOP-8-4 | 20       | HZW5-90101-U00  | SCREW, PAN, 5X16                      | 1       |                   |
| FOP-8-4 | 21       | HZW7-90101-U01  | SCREW, TRUSS, 4X12                    | 1       |                   |
| FOP-8-4 | 22       | HZW7-90102-U01  | SCREW, PAN, 5X30                      | 4       |                   |
| FOP-8-4 | 23       | HZW7-90103-U01  | SCREW, PAN, 6X35                      | 3       |                   |
| FOP-8-4 | 24       | HZW7-90104-U01  | SCREW, TAPPING, 6X30                  | 3       |                   |
| FOP-8-4 | 25       | HZW7-90301-U01  | NUT, HEX., 6MM                        | 3       |                   |
| FOP-8-4 | 26       | HZW5-90501-U00  | WASHER, LOCK, 5MM                     | 4       |                   |
| FOP-8-4 | 27       | HZW7-90502-U00  | WASHER, PLAIN, 6MM                    | 3       |                   |
| FOP-8-4 | 28       | HCO-94540-06029 | E-RING, 6MM                           | 2       |                   |
|         |          |                 |                                       |         |                   |

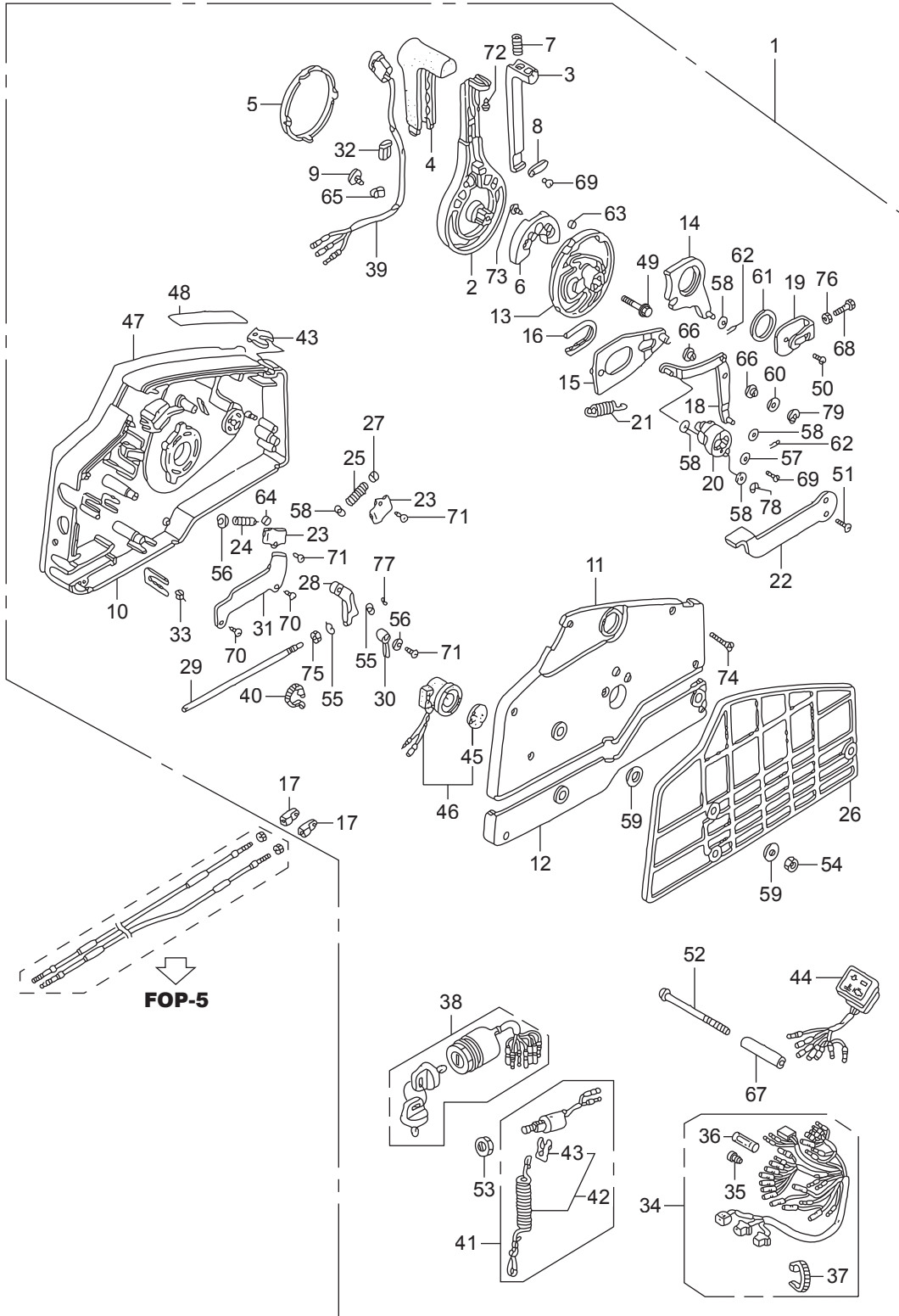


| Ref.No. | Part No. | Description    | Q' ty                                | Remarks |
|---------|----------|----------------|--------------------------------------|---------|
|         |          |                | BFT150A                              |         |
| FOP-8-6 | 1        | HZZ3-24800-R00 | BOX ASSY., REMOTE CONTROL(EU)        | 1       |
| FOP-8-6 | 2        | HZV5-24811-010 | HANDLE, REMOTE CONTROL               | 1       |
| FOP-8-6 | 3        | HZV5-24812-000 | LEVER, HANDLE LOCK                   | 1       |
| FOP-8-6 | 4        | HZV5-24813-000 | GRIP, REMOTE CONTROL HANDLE          | 1       |
| FOP-8-6 | 5        | HZV5-24814-010 | CAP, HANDLE                          | 1       |
| FOP-8-6 | 6        | HZV5-24815-010 | BLOCK, NEUTRAL LOCK                  | 1       |
| FOP-8-6 | 7        | HZV5-24816-000 | SPRING, REMOTE CONTROL HANDLE        | 1       |
| FOP-8-6 | 8        | HZV5-24817-000 | PLATE, LEVER SETTING                 | 1       |
| FOP-8-6 | 9        | HZV5-24818-003 | CLAMP, HARNESS                       | 1       |
| FOP-8-6 | 10       | HZV5-24820-010 | HOUSING COMP., REMOTE CONTROL BOX(A) | 1       |
| FOP-8-6 | 11       | HZV5-24830-010 | HOUSING COMP., REMOTE CONTROL BOX(B) | 1       |
| FOP-8-6 | 12       | HZV5-24836-000 | HOUSING, REMOTE CONTROL BOX(C)       | 1       |
| FOP-8-6 | 13       | HZV5-24841-000 | WHEEL, CONTROL                       | 1       |
| FOP-8-6 | 14       | HZV5-24845-000 | ARM COMP., SHIFT LINK                | 1       |
| FOP-8-6 | 15       | HZV5-24850-000 | PLATE COMP., SLIDING                 | 1       |
| FOP-8-6 | 16       | HZV5-24854-000 | COLLAR, SLIDING PLATE                | 1       |
| FOP-8-6 | 17       | HZV5-24855-000 | PIVOT, SHIFT                         | 2       |
| FOP-8-6 | 18       | HZV5-24860-000 | ARM COMP., LINK JOINT                | 1       |
| FOP-8-6 | 19       | HZV5-24865-000 | BRACKET, LINK JOINT                  | 1       |
| FOP-8-6 | 20       | HZV5-24875-000 | WHEEL, ACCELERATOR                   | 1       |
| FOP-8-6 | 21       | HZV5-24876-000 | SPRING, ACCELERATOR WHEEL            | 1       |
| FOP-8-6 | 22       | HZV5-24878-000 | LEVER, IDLE                          | 1       |
| FOP-8-6 | 23       | HZV5-24881-000 | PLATE, SPRING SETTING                | 2       |
| FOP-8-6 | 24       | HZV5-24883-000 | SPRING, SHIFT CLICK                  | 1       |
| FOP-8-6 | 25       | HZV5-24884-000 | SPRING, CHOKE RETURN                 | 1       |
| FOP-8-6 | 26       | HZV5-24885-000 | SPACER, REMOTE CONTROL BOX           | 1       |
| FOP-8-6 | 27       | HZV5-24887-000 | SPACER, CLICK SPRING                 | 1       |
| FOP-8-6 | 28       | HZV5-24891-000 | BLOCK, THROTTLE FRICTION             | 1       |
| FOP-8-6 | 29       | HZV5-24892-000 | BOLT, FRICTION                       | 1       |

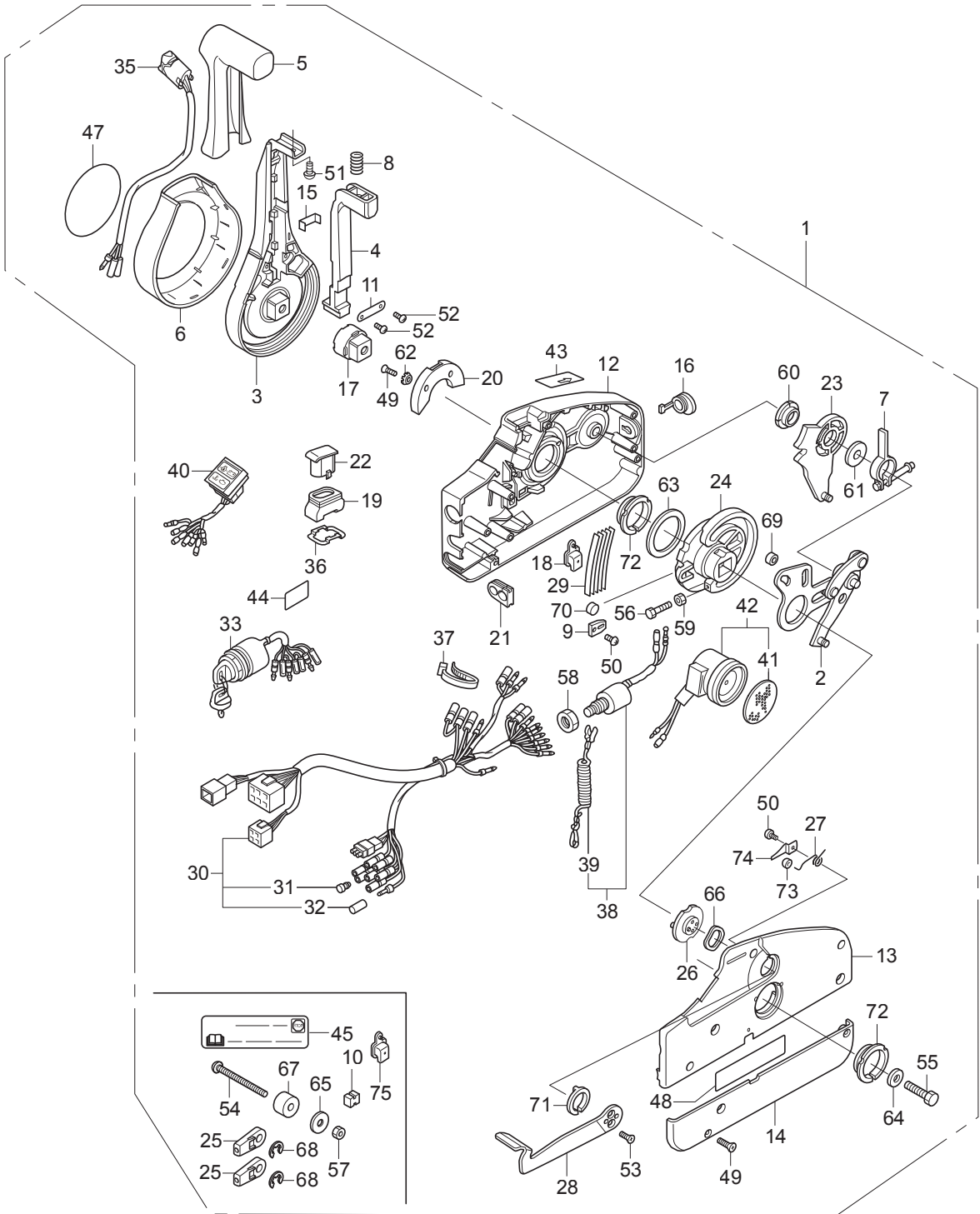




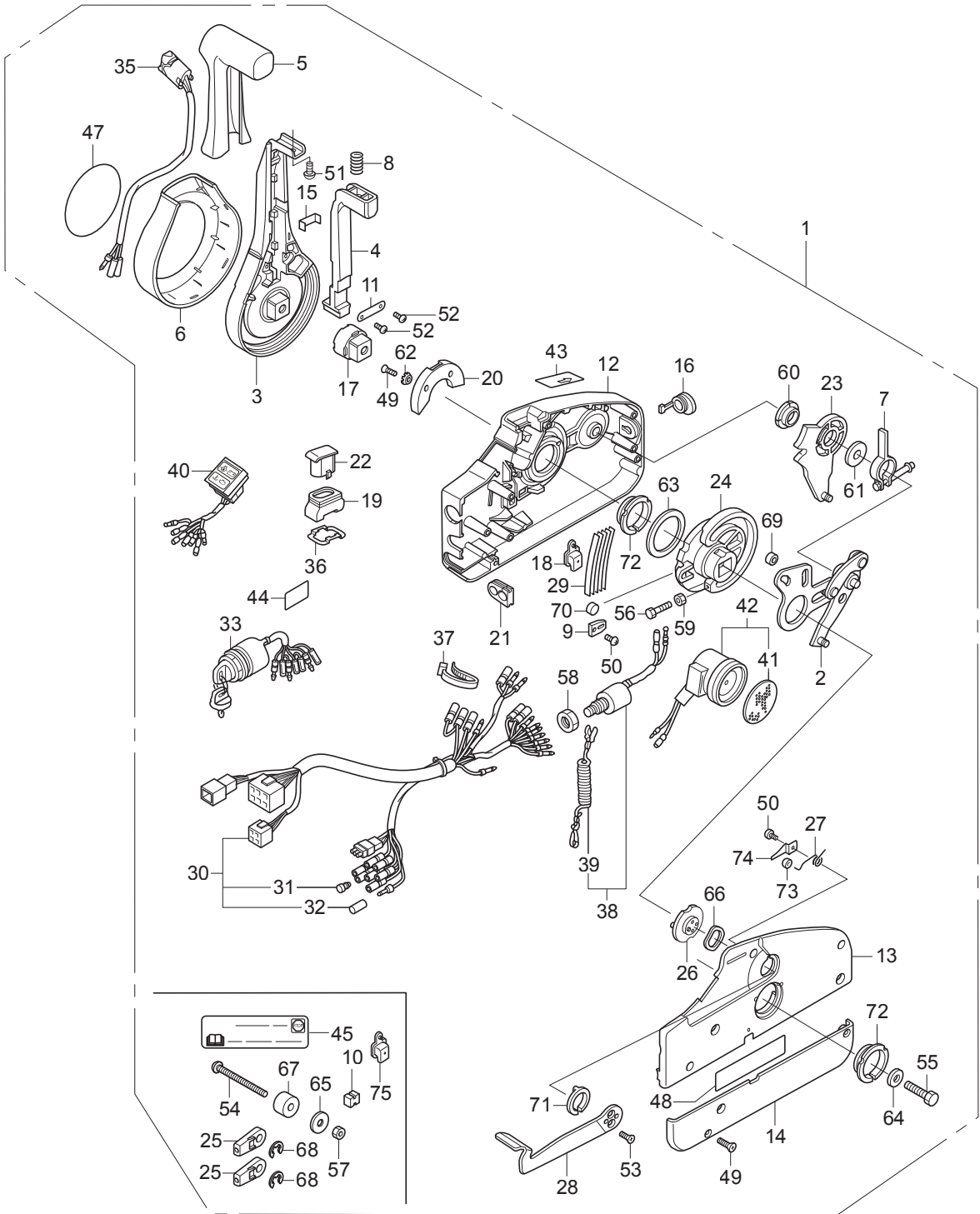
| Ref.No. | Part No. | Description    | Q' ty                          | Remarks |  |
|---------|----------|----------------|--------------------------------|---------|--|
|         |          |                | BFT150A                        |         |  |
| FOP-8-6 | 30       | HZV5-24894-000 | SPACER, NEUTRAL SWITCH         | 1       |  |
| FOP-8-6 | 31       | HZV5-24895-000 | CLAMP, POWER TILT CORD         | 1       |  |
| FOP-8-6 | 32       | HZV5-24897-000 | PIPE, HARNESS GUIDE            | 1       |  |
| FOP-8-6 | 33       | HZV5-24898-000 | SPACER, CABLE CLAMP            | 1       |  |
| FOP-8-6 | 34       | HZZ5-32530-000 | CABLE ASSY., REMOTE CONTROL(B) | 1       |  |
| FOP-8-6 | 35       | HZV5-32823-003 | PLUG, INNER CONNECTOR          | 7       |  |
| FOP-8-6 | 36       | HZV5-32824-003 | PLUG, OUTER CONNECTOR          | 1       |  |
| FOP-8-6 | 37       | H952-32901-770 | TIE, CABLE(NATURAL)(2.4X92)    | 1       |  |
| FOP-8-6 | 38       | HZZ3-35100-R11 | SWITCH ASSY., COMBINATION      | 1       |  |
| FOP-8-6 | 39       | HZV5-35370-823 | SWITCH ASSY., POWER TRIM-TILT  | 1       |  |
| FOP-8-6 | 40       | HMG9-35701-950 | BAND(BLACK 3.5X140)            | 1       |  |
| FOP-8-6 | 41       | HZV5-36180-033 | SWITCH ASSY., EMERGENCY STOP   | 1       |  |
| FOP-8-6 | 42       | HZV4-36182-651 | CORD COMP., EMERGENCY          | 1       |  |
| FOP-8-6 | 43       | HZV4-36187-652 | CLIP, EMERGENCY LOCK           | 2       |  |
| FOP-8-6 | 44       | HZZ5-37210-013 | LAMP ASSY., INDICATION         | 1       |  |
| FOP-8-6 | 45       | H341-38403-672 | PLATE, WINKER BUZZER           | 1       |  |
| FOP-8-6 | 46       | HZV5-38410-003 | BUZZER COMP., WARNING          | 1       |  |
| FOP-8-6 | 47       | HZZ3-87701-R00 | PLATE, REMOTE CONTROL          | 1       |  |
| FOP-8-6 | 48       | HZW9-87702-800 | MARK, FAST IDLE                | 1       |  |
| FOP-8-6 | 49       | HZW9-90008-000 | BOLT, FLANGE, 8X35             | 1       |  |
| FOP-8-6 | 50       | HMM4-90105-000 | SCREW, PAN, 6X10               | 1       |  |
| FOP-8-6 | 51       | HZW4-90108-000 | SCREW, FLAT, 5X12              | 2       |  |
| FOP-8-6 | 52       | HZV5-90125-000 | SCREW, 6X95                    | 3       |  |
| FOP-8-6 | 53       | H921-90302-000 | NUT, HEX., 16MM                | 1       |  |
| FOP-8-6 | 54       | HZV4-90304-000 | NUT, HEX., 6MM                 | 3       |  |
| FOP-8-6 | 55       | HZW4-90401-000 | WASHER, PLAIN, 4MM             | 2       |  |
| FOP-8-6 | 56       | HZW4-90402-000 | WASHER, PLAIN, 5MM             | 2       |  |
| FOP-8-6 | 57       | HZV4-90502-000 | WASHER, PLAIN, 5MM             | 1       |  |
| FOP-8-6 | 58       | H921-90504-010 | WASHER, PLAIN, 6MM             | 5       |  |



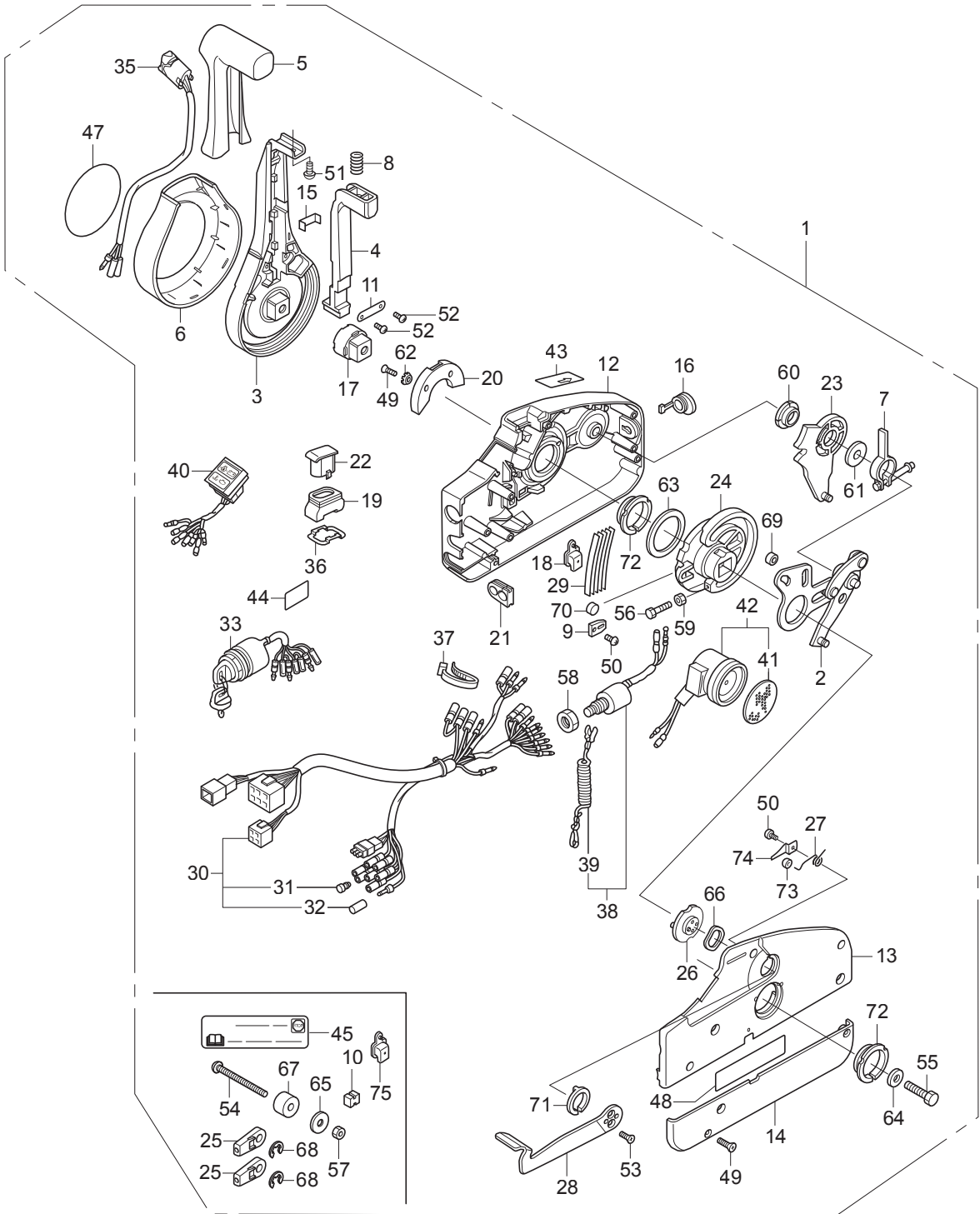




| Ref.No. | Part No. | Description    | Q' ty                               | Remarks |  |
|---------|----------|----------------|-------------------------------------|---------|--|
|         |          |                | BFT150A                             |         |  |
| FOP-8-7 | 1        | HZZ3-24800-P12 | BOX ASSY., REMOTE CONTROL (NHK MEC) | 1       |  |
| FOP-8-7 | 2        | HZZ5-24810-D01 | PLATE ASSY.                         | 1       |  |
| FOP-8-7 | 3        | HZZ5-24811-D01 | LEVER, HAND                         | 1       |  |
| FOP-8-7 | 4        | HZZ5-24812-D01 | ARM, NEUTRAL LOCK                   | 1       |  |
| FOP-8-7 | 5        | HZZ5-24813-D01 | GRIP                                | 1       |  |
| FOP-8-7 | 6        | HZZ5-24814-D01 | COVER, LEVER                        | 1       |  |
| FOP-8-7 | 7        | HZZ5-24815-D01 | ARM ASSY., BRAKE                    | 1       |  |
| FOP-8-7 | 8        | HZZ5-24816-D01 | SPRING(2)                           | 1       |  |
| FOP-8-7 | 9        | HZZ5-24817-D01 | CLIP, DETENT                        | 1       |  |
| FOP-8-7 | 10       | HZZ5-24818-D01 | SPACER(1)(LOOSE PARTS)              | 1       |  |
| FOP-8-7 | 11       | HZZ5-24819-D01 | BRACKET                             | 1       |  |
| FOP-8-7 | 12       | HZZ5-24821-D01 | HOUSING, FR.                        | 1       |  |
| FOP-8-7 | 13       | HZZ5-24822-D01 | HOUSING, RR.                        | 1       |  |
| FOP-8-7 | 14       | HZZ5-24823-D01 | PANEL, BACK                         | 1       |  |
| FOP-8-7 | 15       | HZZ5-24824-D01 | BRACKET, WIRE CLAMP                 | 1       |  |
| FOP-8-7 | 16       | HZZ5-24826-D01 | CAP, RUBBER                         | 1       |  |
| FOP-8-7 | 17       | HZZ5-24827-D01 | ADJUSTER                            | 1       |  |
| FOP-8-7 | 18       | HZZ5-24828-D01 | COVER, POWER TRIM-TILT WIRE         | 1       |  |
| FOP-8-7 | 19       | HZZ5-24829-D01 | SEAL, RUBBER                        | 1       |  |
| FOP-8-7 | 20       | HZZ5-24831-D01 | HOLDER, NEUTRAL LOCK                | 1       |  |
| FOP-8-7 | 21       | HZZ5-24832-D01 | GROMMET, WIRE(14)                   | 1       |  |
| FOP-8-7 | 22       | HZZ5-24833-D01 | CAP, TROLLING CONTROL SWITCH BLANK  | 1       |  |
| FOP-8-7 | 23       | HZZ5-24845-D01 | GEAR ASSY., SHIFT                   | 1       |  |
| FOP-8-7 | 24       | HZZ5-24850-D01 | GEAR, DRIVE                         | 1       |  |
| FOP-8-7 | 25       | HZZ5-24855-D01 | TERMINAL, CABLE(LOOSE PARTS)        | 2       |  |
| FOP-8-7 | 26       | HZZ5-24875-D01 | DRUM ASSY., FREE THROTTLE           | 1       |  |
| FOP-8-7 | 27       | HZZ5-24876-D01 | SPRING(1)                           | 1       |  |
| FOP-8-7 | 28       | HZZ5-24878-D01 | LEVER, FREE THROTTLE                | 1       |  |
| FOP-8-7 | 29       | HZZ5-24883-D01 | SPRING, DETENT                      | 5       |  |

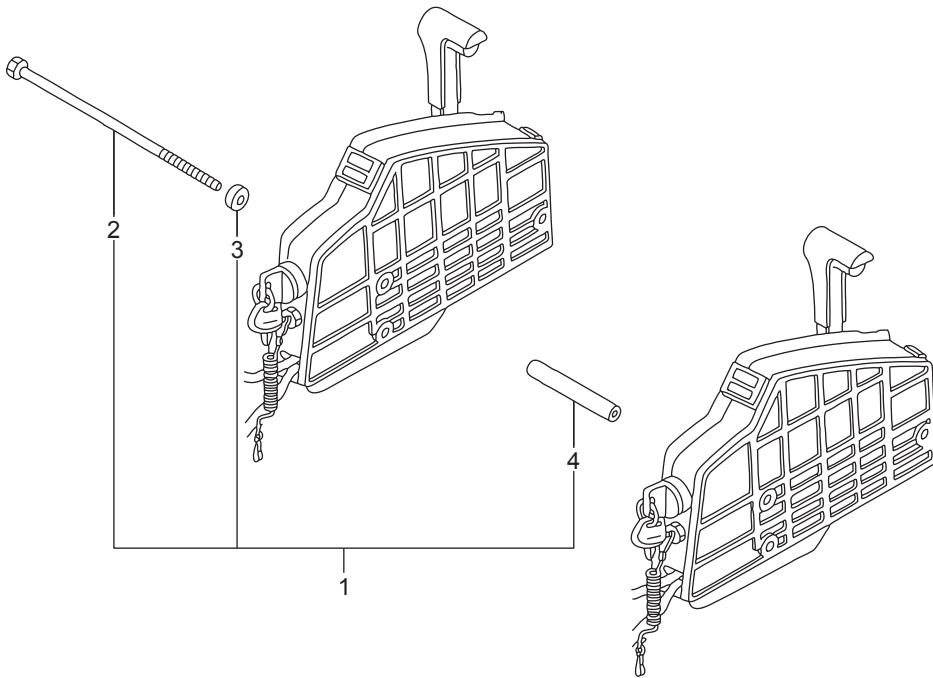


| Ref.No. | Part No. | Description    | Q' ty                                 | Remarks |  |
|---------|----------|----------------|---------------------------------------|---------|--|
|         |          |                | BFT150A                               |         |  |
| FOP-8-7 | 30       | HZZ5-32530-D01 | CABLE ASSY., REMOTE CONTROL(B)        | 1       |  |
| FOP-8-7 | 31       | HZV5-32823-003 | PLUG, INNER CONNECTOR                 | 7       |  |
| FOP-8-7 | 32       | HZV5-32824-003 | PLUG, OUTER CONNECTOR                 | 1       |  |
| FOP-8-7 | 33       | HZZ3-35100-R11 | SWITCH ASSY., COMBINATION             | 1       |  |
| FOP-8-7 | 35       | HZZ5-35370-D02 | SWITCH ASSY., POWER TRIM-TILT         | 1       |  |
| FOP-8-7 | 36       | HZZ3-35645-A41 | PLATE, SWITCH                         | 1       |  |
| FOP-8-7 | 37       | HZZ5-35701-D01 | BAND, WIRE                            | 1       |  |
| FOP-8-7 | 38       | HZV5-36180-033 | SWITCH ASSY., EMERGENCY STOP          | 1       |  |
| FOP-8-7 | 39       | HZV4-36182-651 | CORD COMP., EMERGENCY                 | 1       |  |
| FOP-8-7 | 40       | HZZ5-37210-D01 | LAMP ASSY., INDICATION                | 1       |  |
| FOP-8-7 | 41       | H341-38403-672 | PLATE, WINKER BUZZER                  | 1       |  |
| FOP-8-7 | 42       | HZV5-38410-003 | BUZZER COMP., WARNING                 | 1       |  |
| FOP-8-7 | 43       | HZZ5-87701-D00 | MARK, FAST IDLE                       | 1       |  |
| FOP-8-7 | 44       | HZZ5-87702-A00 | MARK, EMERGENCY STOP(US)              | 1       |  |
| FOP-8-7 | 45       | HZZ5-87702-A00 | MARK, EMERGENCY STOP(US)(LOOSE PARTS) | 1       |  |
| FOP-8-7 | 47       | HZZ5-87703-P00 | MARK, EMBLEM                          | 1       |  |
| FOP-8-7 | 48       | HZZ5-87704-D01 | LABEL, SIGP                           | 1       |  |
| FOP-8-7 | 49       | HZZ5-90101-D01 | SCREW, 5X18                           | 7       |  |
| FOP-8-7 | 50       | HZZ5-90102-D01 | SCREW, 4X6                            | 2       |  |
| FOP-8-7 | 51       | HZZ5-90103-D01 | SCREW, 5X10                           | 1       |  |
| FOP-8-7 | 52       | HZZ5-90104-D01 | SCREW, 4X10                           | 2       |  |
| FOP-8-7 | 53       | HZZ5-90106-D01 | SCREW, 5X12                           | 2       |  |
| FOP-8-7 | 54       | HZZ5-90107-D01 | SCREW, 6X90(LOOSE PARTS)              | 3       |  |
| FOP-8-7 | 55       | HZZ5-90108-D01 | BOLT, 8X50                            | 1       |  |
| FOP-8-7 | 56       | HZZ5-90109-D01 | BOLT, 5X25                            | 1       |  |
| FOP-8-7 | 57       | HZZ5-90301-D01 | NUT, 6MM(LOOSE PARTS)                 | 3       |  |
| FOP-8-7 | 58       | H921-90302-000 | NUT, HEX., 16MM                       | 1       |  |
| FOP-8-7 | 59       | HZZ5-90302-D01 | NUT, 5MM                              | 1       |  |
| FOP-8-7 | 60       | HZZ5-90501-D01 | BEARING(1)                            | 1       |  |

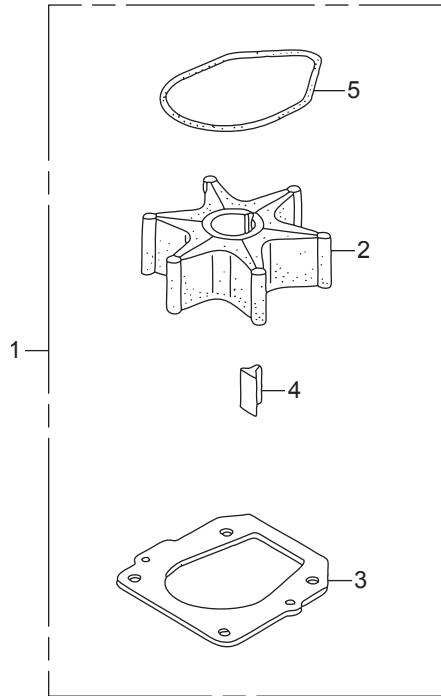




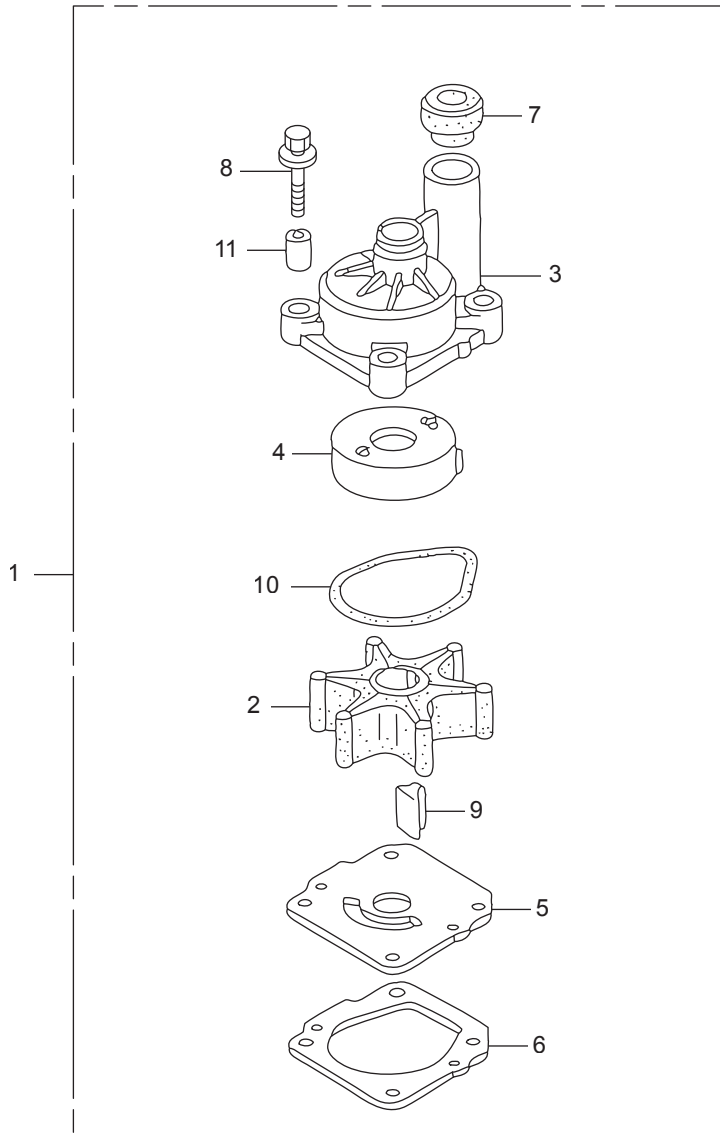




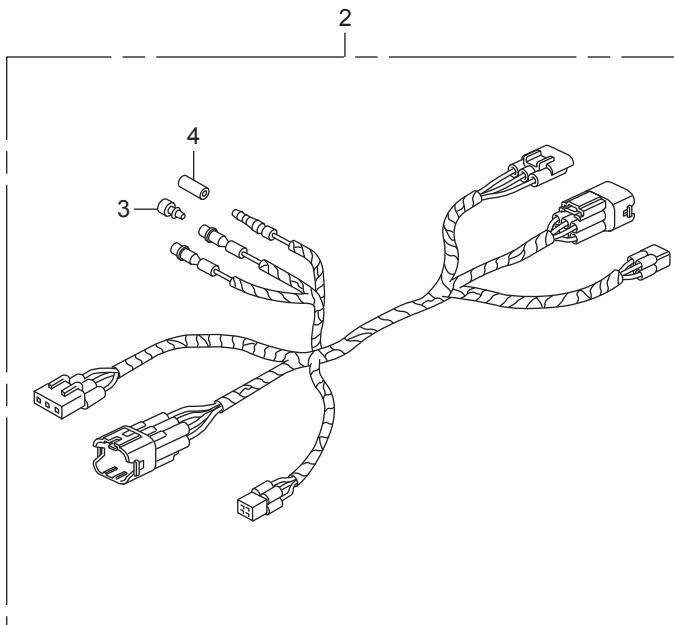
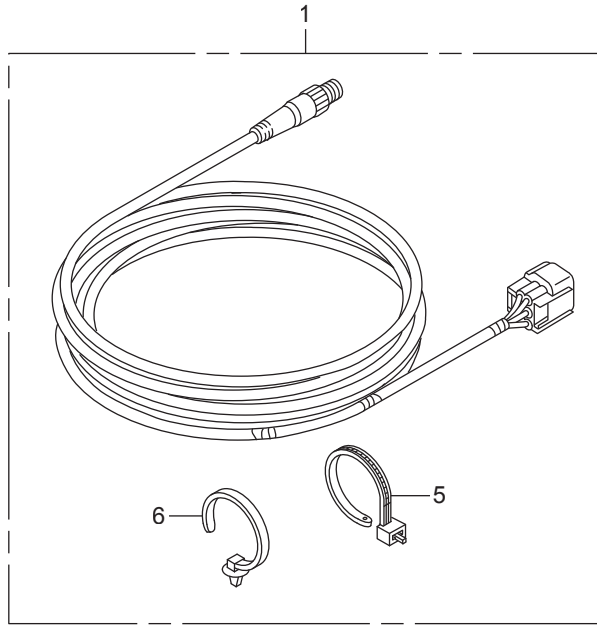






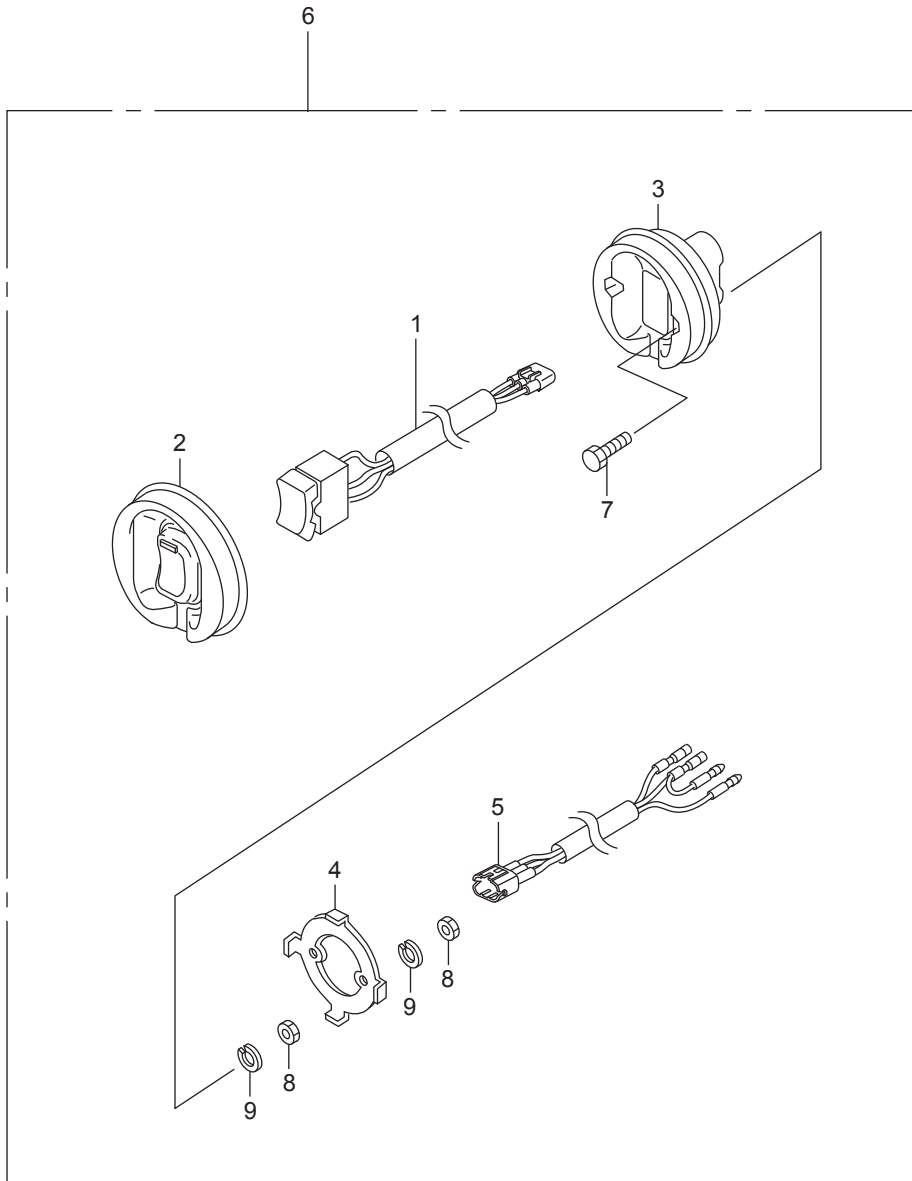














# INDEX

|  |            |  |
|--|------------|--|
| <A>                                      |            |  |
| ADJUSTER.....                            | FOP-8-7-17 |  |
| ARM ASSY, BRAKE.....                     | FOP-8-7-7  |  |
| ARM ASSY, EX. ROCKER.....                | E-9-16     |  |
| ARM ASSY, ROCKER.....                    | E-9-14     |  |
| ARM COMP, CAM CHAIN TENSIONER.....       | E-9-11     |  |
| ARM COMP, CLICK.....                     | F-2-8      |  |
| ARM COMP, LINK JOINT.....                | FOP-8-6-18 |  |
| ARM COMP, SHIFT LINK.....                | FOP-8-6-14 |  |
| ARM, NEUTRAL LOCK.....                   | FOP-8-4-5  |  |
| ARM, NEUTRAL LOCK.....                   | FOP-8-7-4  |  |
| ARM, SHIFT.....                          | F-2-13     |  |
| ARM, THROTTLE.....                       | F-2-6      |  |
| ARMATURE COMP.....                       | F-11-5     |  |
| <B>                                      |            |  |
| BAG, TOOL, 230MM.....                    | F-13-12    |  |
| BALL, STEEL.....                         | E-21-6     |  |
| BALL, STEEL, #7(7/32).....               | F-5-29     |  |
| BALL, STEEL, #7(7/32).....               | F-5-1-31   |  |
| BALL, STEEL, #9(9/32).....               | F-5-30     |  |
| BALL, STEEL, #9(9/32).....               | F-5-1-32   |  |
| BAND.....                                | E-18-10-44 |  |
| BAND(BLACK 3.5X140).....                 | F-8-10-1   |  |
| BAND(BLACK 3.5X140).....                 | FOP-8-6-40 |  |
| BAND, AIR FLOW.....                      | E-15-4     |  |
| BAND, HARNESS.....                       | E-14-34    |  |
| BAND, HARNESS OFFSET(10).....            | F-7-30-2   |  |
| BAND, TUBE CLIP, 12.5MM.....             | F-9-16     |  |
| BAND, UNDER CASE GROMMET.....            | F-8-10-4   |  |
| BAND, WIRE.....                          | F-3-2      |  |
| BAND, WIRE.....                          | F-7-2      |  |
| BAND, WIRE.....                          | F-10-7     |  |
| BAND, WIRE.....                          | FOP-8-7-37 |  |
| BAND, WIRE HARNESS.....                  | E-9-10-34  |  |
| BAND, WIRE HARNESS.....                  | F-7-10-15  |  |
| BAND, WIRE HARNESS(NATURAL).....         | FOP-6-24   |  |
| BAND, WIRE HARNESS(NATURAL).....         | FOP-6-1-17 |  |
| BASE.....                                | FOP-8-4-15 |  |
| BASE, INJECTOR.....                      | E-14-10    |  |
| BEARING A, CONNECTING ROD (BLUE).....    | E-7-7      |  |
| BEARING A, MAIN LOWER(BLUE).....         | E-7-11     |  |
| BEARING A, MAIN UPPER(BLUE).....         | E-7-9      |  |
| BEARING B, CONNECTING ROD (BLACK).....   | E-7-7      |  |
| BEARING B, MAIN LOWER(BLACK).....        | E-7-11     |  |
| BEARING B, MAIN UPPER(BLACK).....        | E-7-9      |  |
| BEARING C, CONNECTING ROD (BROWN).....   | E-7-7      |  |
| BEARING C, MAIN LOWER(BROWN).....        | E-7-11     |  |
| BEARING C, MAIN UPPER(BROWN).....        | E-7-9      |  |
| BEARING D, CONNECTING ROD (GREEN).....   | E-7-7      |  |
| BEARING D, MAIN LOWER(GREEN).....        | E-7-11     |  |
| BEARING D, MAIN UPPER(GREEN).....        | E-7-9      |  |
| BEARING E, CONNECTING ROD (YELLOW).....  | E-7-7      |  |
| BEARING E, MAIN LOWER(YELLOW).....       | E-7-11     |  |
| BEARING E, MAIN UPPER(YELLOW).....       | E-7-9      |  |
| BEARING F, CONNECTING ROD (PINK).....    | E-7-7      |  |
| BEARING F, MAIN LOWER(PINK).....         | E-7-11     |  |
| BEARING F, MAIN UPPER(PINK).....         | E-7-9      |  |
| BEARING G, CONNECTING ROD(RED).....      | E-7-7      |  |
| BEARING(G1).....                         | FOP-8-7-60 |  |
| BEARING(2).....                          | FOP-8-7-71 |  |
| BEARING(3).....                          | FOP-8-7-72 |  |
| BEARING, FR.....                         | E-19-4     |  |
| BEARING, NEEDLE(25X32X26).....           | F-5-24     |  |
| BEARING, NEEDLE(25X32X26).....           | F-5-1-26   |  |
| BEARING, NEEDLE, 20X28X13.....           | E-6-42     |  |
| BEARING, NEEDLE, 28.575X44.45X31.75..... | F-4-26     |  |
| BEARING, NEEDLE, 30X37X26.....           | F-5-20     |  |
| BEARING, NEEDLE, 30X37X26.....           | F-5-1-22   |  |
| BEARING, RADIAL BALL, 50X90X20.....      | F-5-23     |  |
| BEARING, RADIAL BALL, 50X90X20.....      | F-5-1-25   |  |
| BEARING, RR.....                         | E-19-3     |  |
| BEARING, TAPER ROLLER, 30X62X40.....     | F-4-27     |  |
| BEARING, TAPER, 50X90X28.....            | F-5-22     |  |
| BEARING, TAPER, 50X90X28.....            | F-5-1-24   |  |
| BEARING, THRUST(F).....                  | F-5-21     |  |
| BEARING, THRUST(F).....                  | F-5-1-23   |  |
| BELT, A.C. GENERATOR(4PK810).....        | E-13-3     |  |
| BLOCK ASSY., CYLINDER.....               | E-3-6      |  |
| BLOCK, NEUTRAL LOCK.....                 | FOP-8-6-6  |  |
| BLOCK, THROTTLE FRICTION.....            | FOP-8-6-28 |  |
| BODY COMP., CHAMBER.....                 | E-18-10-5  |  |
| BODY COMP., OIL JET.....                 | E-3-8      |  |
| BODY, TROLLING CONTROL.....              |            |  |
| SWITCH PANEL.....                        | FOP-12-3   |  |
| BOLT.....                                | E-19-14    |  |
| BOLT A, HEAD COVER.....                  | E-9-20-18  |  |
| BOLT A, THROUGH.....                     | E-21-18    |  |
| BOLT COMP., OIL JET.....                 | E-3-9      |  |
| BOLT KIT, SIDE REMOTE CONTROL.....       | FOP-9-1    |  |
| BOLT, 1/4-28UNF.....                     | F-10-31    |  |
| BOLT, 3/8-24UNF.....                     | F-10-33    |  |
| BOLT, 5X25.....                          | FOP-8-7-56 |  |
| BOLT, 8X50.....                          | FOP-8-7-55 |  |
| BOLT, CHAIN GUIDE.....                   | E-10-9     |  |
| BOLT, CONNECTING ROD.....                | E-7-5      |  |
| BOLT, COVER LOCK.....                    | F-8-8      |  |
| BOLT, DRAIN PLUG.....                    | E-6-37     |  |
| BOLT, DRAIN PLUG.....                    | F-3-14     |  |
| BOLT, FLANGE, 10X105.....                | E-10-18    |  |
| BOLT, FLANGE, 10X110.....                | E-6-54     |  |
| BOLT, FLANGE, 10X32.....                 | E-9-31     |  |
| BOLT, FLANGE, 10X40.....                 | E-6-25     |  |
| BOLT, FLANGE, 10X40.....                 | F-3-20-9   |  |
| BOLT, FLANGE, 10X40.....                 | F-5-12     |  |
| BOLT, FLANGE, 10X40.....                 | F-5-1-13   |  |
| BOLT, FLANGE, 10X43.....                 | E-9-10-19  |  |
| BOLT, FLANGE, 10X45.....                 | E-4-11     |  |
| BOLT, FLANGE, 10X70.....                 | E-3-27     |  |
| BOLT, FLANGE, 10X70.....                 | E-9-10-21  |  |
| BOLT, FLANGE, 10X75.....                 | E-4-8      |  |
| BOLT, FLANGE, 10X80.....                 | E-6-29     |  |
| BOLT, FLANGE, 10X80.....                 | E-19-28    |  |
| BOLT, FLANGE, 10X90.....                 | E-21-21    |  |
| BOLT, FLANGE, 12MM.....                  | E-5-15     |  |
| BOLT, FLANGE, 12X47.....                 | E-9-30     |  |
| BOLT, FLANGE, 12X83.....                 | E-3-19     |  |
| BOLT, FLANGE, 5X12.....                  | E-14-28    |  |
| BOLT, FLANGE, 6X10.....                  | E-14-25    |  |
| BOLT, FLANGE, 6X12.....                  | E-6-35     |  |
| BOLT, FLANGE, 6X12.....                  | E-6-36     |  |
| BOLT, FLANGE, 6X12.....                  | E-15-19    |  |
| BOLT, FLANGE, 6X12.....                  | F-2-30     |  |
| BOLT, FLANGE, 6X12.....                  | F-3-20-10  |  |
| BOLT, FLANGE, 6X12.....                  | F-7-4      |  |
| BOLT, FLANGE, 6X12.....                  | F-7-10-10  |  |
| BOLT, FLANGE, 6X12.....                  | F-7-20-7   |  |
| BOLT, FLANGE, 6X14.....                  | E-4-9      |  |
| BOLT, FLANGE, 6X14.....                  | E-9-10-17  |  |
| BOLT, FLANGE, 6X14.....                  | E-9-20-22  |  |
| BOLT, FLANGE, 6X14.....                  | E-10-15    |  |
| BOLT, FLANGE, 6X14.....                  | E-14-24    |  |
| BOLT, FLANGE, 6X14.....                  | E-18-1-13  |  |
| BOLT, FLANGE, 6X14.....                  | F-2-28     |  |
| BOLT, FLANGE, 6X14(CT200).....           | E-3-21     |  |
| BOLT, FLANGE, 6X14(CT200).....           | E-9-10-14  |  |
| BOLT, FLANGE, 6X14(CT200).....           | F-7-10-9   |  |
| BOLT, FLANGE, 6X16.....                  | E-9-10-16  |  |
| BOLT, FLANGE, 6X16.....                  | E-9-20-20  |  |
| BOLT, FLANGE, 6X16.....                  | E-18-10-48 |  |
| BOLT, FLANGE, 6X16.....                  | E-19-24    |  |
| BOLT, FLANGE, 6X16.....                  | F-2-27     |  |
| BOLT, FLANGE, 6X18.....                  | E-6-53     |  |
| BOLT, FLANGE, 6X18.....                  | F-2-29     |  |
| BOLT, FLANGE, 6X20.....                  | E-5-18     |  |
| BOLT, FLANGE, 6X20.....                  | E-6-28     |  |
| BOLT, FLANGE, 6X20.....                  | E-9-36     |  |
| BOLT, FLANGE, 6X20.....                  | E-9-20-21  |  |
| BOLT, FLANGE, 6X20.....                  | E-9-20-29  |  |
| BOLT, FLANGE, 6X20.....                  | E-20-10-5  |  |
| BOLT, FLANGE, 6X20.....                  | F-2-31     |  |
| BOLT, FLANGE, 6X20.....                  | F-4-18     |  |
| BOLT, FLANGE, 6X20.....                  | F-7-20-8   |  |
| BOLT, FLANGE, 6X20.....                  | F-10-34    |  |
| BOLT, FLANGE, 6X22.....                  | E-4-10     |  |
| BOLT, FLANGE, 6X22.....                  | E-6-32     |  |
| BOLT, FLANGE, 6X22.....                  | F-7-10-11  |  |
| BOLT, FLANGE, 6X22.....                  | F-8-10-23  |  |
| BOLT, FLANGE, 6X23.....                  | F-10-30    |  |
| BOLT, FLANGE, 6X25.....                  | E-3-22     |  |
| BOLT, FLANGE, 6X25.....                  | E-5-17     |  |
| BOLT, FLANGE, 6X25.....                  | E-6-27     |  |
| BOLT, FLANGE, 6X25.....                  | E-10-19    |  |
| BOLT, FLANGE, 6X25.....                  | E-18-21    |  |
| BOLT, FLANGE, 6X25.....                  | E-18-10-47 |  |
| BOLT, FLANGE, 6X27.....                  | E-18-19    |  |
| BOLT, FLANGE, 6X28.....                  | E-9-10-15  |  |
| BOLT, FLANGE, 6X30.....                  | E-9-37     |  |
| BOLT, FLANGE, 6X32.....                  | E-9-20-30  |  |
| BOLT, FLANGE, 6X32.....                  | E-10-20    |  |
| BOLT, FLANGE, 6X38.....                  | E-9-10-20  |  |
| BOLT, FLANGE, 6X52.....                  | E-9-20-19  |  |
| BOLT, FLANGE, 8X100.....                 | E-6-34     |  |
| BOLT, FLANGE, 8X110.....                 | E-9-20-32  |  |
| BOLT, FLANGE, 8X18.....                  | F-7-10-12  |  |
| BOLT, FLANGE, 8X20.....                  | E-3-23     |  |
| BOLT, FLANGE, 8X20.....                  | E-19-25    |  |
| BOLT, FLANGE, 8X25.....                  | E-14-31    |  |
| BOLT, FLANGE, 8X28.....                  | E-19-26    |  |
| BOLT, FLANGE, 8X30.....                  | E-6-26     |  |
| BOLT, FLANGE, 8X30.....                  | E-18-10-49 |  |
| BOLT, FLANGE, 8X32.....                  | E-5-27     |  |
| BOLT, FLANGE, 8X35.....                  | E-3-24     |  |
| BOLT, FLANGE, 8X35.....                  | E-14-29    |  |
| BOLT, FLANGE, 8X35.....                  | F-10-66    |  |
| BOLT, FLANGE, 8X35.....                  | FOP-8-6-49 |  |
| BOLT, FLANGE, 8X45.....                  | E-14-30    |  |
| BOLT, FLANGE, 8X50.....                  | E-3-26     |  |
| BOLT, FLANGE, 8X50.....                  | E-10-16    |  |
| BOLT, FLANGE, 8X55.....                  | E-3-18     |  |
| BOLT, FLANGE, 8X55.....                  | E-10-10    |  |
| BOLT, FLANGE, 8X55.....                  | F-8-10-22  |  |
| BOLT, FLANGE, 8X60.....                  | E-15-20    |  |
| BOLT, FLANGE, 8X75.....                  | E-10-17    |  |
| BOLT, FLANGE, 8X90.....                  | E-9-20-31  |  |
| BOLT, FRICTION.....                      | FOP-8-6-29 |  |
| BOLT, FUEL PIPE.....                     | E-14-1     |  |
| BOLT, HEX.....                           | F-11-30    |  |
| BOLT, HEX., 10X235.....                  | F-10-35    |  |
| BOLT, HEX., 12X130.....                  | E-6-31     |  |
| BOLT, HEX., 12X130.....                  | F-10-39    |  |
| BOLT, HEX., 12X225.....                  | F-3-20-12  |  |
| BOLT, HEX., 12X70.....                   | E-6-30     |  |
| BOLT, HEX., 4X20.....                    | FOP-12-7   |  |
| BOLT, HEX., 5X16.....                    | FOP-8-6-68 |  |
| BOLT, HEX., 6X12.....                    | F-4-17     |  |
| BOLT, HEX., 6X14.....                    | F-10-36    |  |
| BOLT, HEX., 6X50.....                    | F-3-20     |  |
| BOLT, OIL CHECK.....                     | F-3-12     |  |
| BOLT, RECESSED.....                      | F-11-27    |  |
| BOLT, SEALING, 14MM.....                 | E-9-4      |  |
| BOLT, SEALING, 18MM.....                 | E-5-7      |  |
| BOLT, SEALING, 20MM.....                 | E-3-2      |  |
| BOLT, SEALING, 20MM.....                 | E-5-1      |  |
| BOLT, SEALING, 20MM.....                 | E-9-20-23  |  |
| BOLT, SEALING, 22MM.....                 | E-5-19     |  |
| BOLT, SEALING, 28MM.....                 | E-3-3      |  |
| BOLT, SEALING, 6MM.....                  | E-18-10-45 |  |
| BOLT, SOCKET(A).....                     | F-11-28    |  |
| BOLT, SOCKET(B).....                     | F-11-29    |  |
| BOLT, SOCKET, 6X16.....                  | F-8-9      |  |
| BOLT, SOCKET, 6X20.....                  | F-8-7      |  |
| BOLT, SOCKET, 6X25.....                  | E-1-5      |  |
| BOLT, SOCKET, 6X25.....                  | E-20-3     |  |
| BOLT, SPECIAL ADJUSTER.....              | E-19-23    |  |
| BOLT, SPECIAL, 6X17.....                 | F-8-20-14  |  |
| BOLT, SPECIAL, 6X220.....                | FOP-9-2    |  |
| BOLT, SPECIAL, 6X31.....                 | E-9-10-18  |  |
| BOLT, SPECIAL, 8MM.....                  | E-5-14     |  |
| BOLT, STUD.....                          | E-19-8     |  |
| BOLT, STUD 2, 8X25.....                  | E-14-26    |  |
| BOLT, STUD, 10X55.....                   | E-6-33     |  |
| BOLT, STUD, 12X145.....                  | F-10-32    |  |
| BOLT, STUD, 8X32.....                    | E-14-27    |  |

|                               |            |                                |            |                             |             |
|-------------------------------|------------|--------------------------------|------------|-----------------------------|-------------|
| BOLT, TENSIONER               | E-19-27    | BUSH, TILT ARM                 | F-10-23    | CLAMP, TUBE(D10.5)          | E-6-41      |
| BOLT, TENSIONER PIVOT         | E-9-29     | BUTTON, THROTTLE               | FOP-8-9    | CLAMP, TUBE(D10.7)          | E-18-22     |
| BOLT-WASHER                   | E-19-13    | BUTTON, THROTTLE               | FOP-8-2-10 | CLAMP, TUBE(D17)            | E-15-21     |
| BOLT-WASHER, 10X30            | E-10-11    | BUTTON, THROTTLE               | FOP-8-4-8  | CLAMP, TUBE(D25.0)          | E-4-10-10   |
| BOLT-WASHER, 10X32            | F-3-13     | BUZZER COMP., WARNING          | FOP-6-20   | CLAMP, TUBE(D32.5)          | E-4-10-9    |
| BOLT-WASHER, 10X40            | F-3-15     | BUZZER COMP., WARNING          | FOP-6-1-13 | CLAMP, WATER TUBE           | E-4-10-11   |
| BOLT-WASHER, 11X155           | E-9-20-17  | BUZZER COMP., WARNING          | FOP-8-6-46 | CLIP B1, TUBE               | F-9-13      |
| BOLT-WASHER, 11X95            | E-3-20     | BUZZER COMP., WARNING          | FOP-8-7-42 | CLIP(10.7MM)                | F-10-69     |
| BOLT-WASHER, 16X49            | E-7-15     | <C>                            |            | CLIP(14MM)                  | F-10-56     |
| BOLT-WASHER, 5X30             | E-15-18    | CABLE ASSY., REMOTE CONTROL(B) | FOP-8-6-34 | CLIP, BRAKE PIPE(A)         | F-2-24      |
| BOLT-WASHER, 6X25             | E-13-5     | CABLE ASSY., REMOTE CONTROL(B) | FOP-8-7-30 | CLIP, DETENT                | FOP-8-7-9   |
| BOLT-WASHER, 6X25             | E-15-17    | CABLE ASSY., STARTER           | F-7-10-2   | CLIP, EMERGENCY LOCK        | FOP-6-16    |
| BOLT-WASHER, 6X27(CT200)      | E-20-10-4  | CABLE ASSY., SWITCH PANEL      | FOP-6-9    | CLIP, EMERGENCY LOCK        | FOP-6-1-10  |
| BOLT-WASHER, 8X10             | E-3-10     | CABLE ASSY., SWITCH PANEL      | FOP-6-9    | CLIP, EMERGENCY LOCK        | FOP-8-6-43  |
| BOLT-WASHER, 8X30             | F-3-20-11  | CABLE ASSY., SWITCH PANEL      | FOP-6-9    | CLIP, FUEL HOSE             | E-18-25     |
| BOLT-WASHER, 8X30             | F-8-10-24  | CABLE ASSY., SWITCH PANEL      |            | CLIP, FUEL TUBE, 14         | E-14-35     |
| BOLT-WASHER, 8X35             | E-14-23    | (20FT)(NHK MEC)                | FOP-6-9    | CLIP, FUEL TUBE, 14         | F-7-10-16   |
| BOLT-WASHER, 8X35             | E-18-20    | CABLE ASSY., SWITCH PANEL      |            | CLIP, HARNESS               | E-18-27     |
| BOLT-WASHER, 8X35             | E-18-10-46 | (25FT)(NHK MEC)                | FOP-6-9    | CLIP, HARNESS BAND(BLACK)   | E-3-38      |
| BOLT-WASHER, 8X40             | F-4-19     | CABLE ASSY., SWITCH PANEL      |            | CLIP, HARNESS BAND(BLACK)   | E-9-10-35   |
| BOLT-WASHER, 8X40             | FOP-10-1-8 | (30FT)(NHK MEC)                | FOP-6-9    | CLIP, HARNESS BAND(BLACK)   | F-7-7       |
| BOSS, FLYWHEEL                | E-5-13     | CABLE COMP. A, COVER LOCK      | F-8-10-8   | CLIP, HARNESS BAND(BLACK)   | F-7-10-17   |
| BOX ASSY., JUNCTION           | F-7-20-1   | CABLE COMP. B, COVER LOCK      | F-8-10-9   | CLIP, HARNESS BAND(BLACK)   | FOP-11-6    |
| BOX ASSY., REMOTE CONTROL     |            | CABLE SET, PANEL INDICATOR     | FOP-6-2    | CLIP, HARNESS BAND(NATURAL) | E-4-17      |
| (NHK MEC)                     | FOP-8-7-1  | CABLE SET, PANEL INDICATOR     | FOP-6-2    | CLIP, INJECTOR              | E-14-3      |
| BOX ASSY., REMOTE CONTROL(EU) | FOP-8-6-1  | CABLE SET, PANEL INDICATOR     | FOP-6-2    | CLIP, MUDGUARD              | F-8-20-17   |
| BOX KIT, REMOTE CONTROL       | FOP-8-1    | CAMSHAFT COMP, EX.             | E-9-5      | CLIP, PISTON PIN            | E-7-4       |
| BOX KIT, REMOTE CONTROL       | FOP-8-2-1  | CAMSHAFT COMP, IN              | E-9-2      | CLIP, ROLLER                | FOP-8-7-74  |
| BOX KIT, REMOTE CONTROL       | FOP-8-4-1  | CAP COMP., OIL TANK            | F-11-26    | CLIP, SENSOR HOSE           | E-18-18     |
| BRACKET                       | FOP-8-7-11 | CAP, BOLT, 8MM                 | E-3-25     | CLIP, TUBE                  | E-18-1      |
| BRACKET A, CABLE              | F-2-21     | CAP, GRIP                      | FOP-8-7    | CLIP, TUBE                  | E-18-1-1    |
| BRACKET A, COUPLER            | F-7-10-1   | CAP, GRIP                      | FOP-8-2-9  | CLIP, TUBE(B1 14.5)         | E-18-23     |
| BRACKET A, HARNESS CLIP       | E-14-15    | CAP, HANDLE                    | FOP-8-6-5  | CLIP, TUBE(B12)             | E-18-24     |
| BRACKET ASSY.                 | F-11-4     | CAP, L. SIDE COVER             | F-8-10-21  | CLIP, TUBE(B12)             | E-18-1-14   |
| BRACKET B, CABLE              | F-7-10-6   | CAP, OIL(YELLOW)               | E-3-11     | CLIP, TUBE(B12)             | F-9-12      |
| BRACKET B, HARNESS CLIP       | E-9-10-9   | CAP, REGULATOR                 | E-14-6     | CLIP, TUBE(B8)              | F-10-55     |
| BRACKET C, HARNESS CLIP       | E-9-10-10  | CAP, RUBBER                    | FOP-8-7-16 | CLIP, TUBE(BLACK)(135MM)    | E-18-29     |
| BRACKET COMP., A.C. GENERATOR | E-19-17    | CAP, SWITCH                    | FOP-8-8    | CLIP, TUBE, 3.5             | E-13-6      |
| BRACKET D, HARNESS CLIP       | E-3-14     | CAP, TROLLING CONTROL SWITCH   |            | CLIP, WIRE HARNESS          | F-7-6       |
| BRACKET E, HARNESS CLIP       | E-15-9     | BLANK                          | FOP-8-7-22 | CLIP, WIRE HARNESS          | F-8-20-18   |
| BRACKET F, CLIP               | E-9-20-14  | CAP, WATER JOINT               | F-8-20-1   | CLIP, WIRE HARNESS          | F-10-58     |
| BRACKET, BUZZER               | FOP-6-21   | CARTRIDGE, OIL FILTER          | E-5-10     | CLIP, WIRE HARNESS(6.3MM)   | FOP-8-6-65  |
| BRACKET, BUZZER               | FOP-6-1-14 | CASE ASSY., BALANCER HOLDER    | E-10-1     | CLIP, WIRE HARNESS, 25MM    | E-18-1-15   |
| BRACKET, CLIP B               | E-3-13     | CASE ASSY., ELECTRONIC PARTS   | E-20-10-1  | CLUTCH COMP., OVERRUNNING   | E-21-2      |
| BRACKET, FR.                  | E-21-10    | CASE ASSY., GEAR(L)            | F-3-10-1   | CLUTCH COMP., OVERRUNNING   | E-21-2      |
| BRACKET, FR. UNDER COVER      | F-8-10-5   | CASE ASSY., GEAR(L)            | F-3-10-1   | COIL COMP., PLUG HOLE       | E-20-1      |
| BRACKET, HOOK                 | F-8-3      | CASE ASSY., GEAR(XL)           | F-3-10-1   | COLLAR                      | E-18-10-23  |
| BRACKET, L. SIDE COVER        | F-8-10-7   | CASE ASSY., GEAR(XL)           | F-3-10-1   | COLLAR                      | E-18-10-26  |
| BRACKET, L. STERN             | F-10-20    | CASE ASSY., GEAR(XL)(C/R)      | F-3-10-1   | COLLAR, 8.5X14.5            | E-14-39     |
| BRACKET, LINK JOINT           | FOP-8-6-19 | CASE ASSY., GEAR(XL)(C/R)      | F-3-10-1   | COLLAR, 8.5X14.5            | E-18-28     |
| BRACKET, NEUTRAL SWITCH       | F-2-23     | CASE ASSY., CHAIN              | E-9-10-1   | COLLAR, 8.5X14.5            | E-18-10-53  |
| BRACKET, R. SIDE COVER        | F-8-10-6   | CASE COMP., MOUNT              | E-6-22     | COLLAR, C.D.I. UNIT CASE    | E-13-8      |
| BRACKET, R. STERN             | F-10-19    | CASE COMP., PUMP               | E-18-10-27 | COLLAR, C.D.I. UNIT CASE    | E-15-22     |
| BRACKET, RELAY                | E-3-17     | CASE COMP., SILENCER           | E-15-5     | COLLAR, C.D.I. UNIT CASE    | E-20-10-6   |
| BRACKET, REMOTE CONTROL       | FOP-8-12   | CASE KIT, CHAIN                | E-9-10-30  | COLLAR, C.D.I. UNIT CASE    | F-7-10-18   |
| BRACKET, REMOTE CONTROL       |            | CASE, EXTENSION                | F-3-20-2   | COLLAR, CAMSHAFT            | E-9-35      |
| HOUSING                       | FOP-8-2-13 | CASE, EXTENSION(L)             | F-3-20-2   | COLLAR, DISTANCE            | F-4-34      |
| BRACKET, RR.                  | E-21-11    | CASE, GEAR                     | F-3-3      | COLLAR, DISTANCE            | FOP-10-1-11 |
| BRACKET, SENSOR CORD          | E-15-10    | CASE, OIL                      | E-6-1      | COLLAR, DISTANCE(A)         | FOP-9-3     |
| BRACKET, SHIFT LINK           | F-2-19     | CASE, SWIVEL                   | F-10-15    | COLLAR, DISTANCE(B)         | FOP-9-4     |
| BRACKET, SUB HARNESS CLIP     | E-9-10-33  | CHAIN(176L)(DAIDO)             | E-9-8      | COLLAR, DISTANCE, 6.5X9X3   | F-8-12      |
| BRACKET, TILTING              | F-10-24    | CHAIN(62L)                     | E-10-5     | COLLAR, DISTANCE, 6.5X9X5   | F-8-20-19   |
| BRACKET, TROLLING CONTROL     |            | CIRCLIP, EXTERNAL, 14MM        | F-5-28     | COLLAR, DISTANCE, 6X10X43.5 | FOP-8-6-67  |
| SWITCH PANEL                  | FOP-12-4   | CIRCLIP, EXTERNAL, 14MM        | F-5-1-30   | COLLAR, LINK JOINT          | FOP-8-6-66  |
| BRACKET, WATER TUBE CLAMP     | E-4-5      | CIRCLIP, EXTERNAL, 39MM        | F-10-57    | COLLAR, LOWER CYLINDER      | F-10-29     |
| BRACKET, WIRE CLAMP           | FOP-8-7-15 | CIRCLIP, INTERNAL              | F-11-32    | COLLAR, LOWER MOUNTING      | F-3-20-7    |
| BREAKER ASSY.                 | F-11-1     | CIRCLIP, INTERNAL, 40          | F-3-20-17  | COLLAR, ORIFICE             | F-11-44     |
| BRUSH ASSY.                   | F-11-2     | CLAMP                          | F-6-5      | COLLAR, SLIDING PLATE       | FOP-8-6-16  |
| BRUSH SET                     | E-21-7     | CLAMP                          | F-6-8      | COLLAR, STEERING ROD        | F-10-62     |
| BRUSH SET                     | E-21-7     | CLAMP B, WATER TUBE            | E-4-12     | CONTROL UNIT, ELECTRONIC    | E-20-10-3   |
| BUFFER, PLATE                 | E-18-1-4   | CLAMP, 18.5MM                  | E-9-10-28  | CORD ASSY., INDICATOR(20FT) | FOP-6-4     |
| BUSH A, COVER LOCK            | F-2-25     | CLAMP, 18.5MM                  | E-13-7     | CORD ASSY., INDICATOR(25FT) | FOP-6-4     |
| BUSH A, COVER LOCK            | F-8-10-11  | CLAMP, ENGINE SUB CORD         | F-7-30-3   | CORD ASSY., INDICATOR(30FT) | FOP-6-4     |
| BUSH A, COVER LOCK            | F-8-10-12  | CLAMP, FUEL HOSE               | E-15-23    | CORD COMP., EMERGENCY       | FOP-6-15    |
| BUSH B, COVER LOCK            | F-8-10-13  | CLAMP, HARNESS                 | FOP-8-6-9  | CORD COMP., EMERGENCY       | FOP-6-1-9   |
| BUSH COMP., VERTICAL SHAFT    | F-3-20-3   | CLAMP, HOSE                    | E-18-11    | CORD COMP., EMERGENCY       | FOP-8-6-42  |
| BUSH, BLADE BRAKE             | F-2-26     | CLAMP, HOSE                    | F-7-30-1   | CORD COMP., EMERGENCY       | FOP-8-7-39  |
| BUSH, INSULATION              | E-19-20    | CLAMP, PIPE                    | E-18-12    | COTTER, VALVE(FUJI VALVE)   | E-9-28      |
| BUSH, LOWER CYLINDER          | F-11-23    | CLAMP, POWER TILT CORD         | FOP-8-6-31 | COVER ASSY.                 | FOP-8-4-11  |
| BUSH, MOTOR CODE              | F-10-27    | CLAMP, PURGE HOSE              | E-18-30    | COVER ASSY., ENGINE         | F-8-1       |
| BUSH, MOTOR CODE              | F-10-68    | CLAMP, TUBE(8.0)               | E-18-10-51 | COVER ASSY., ENGINE         | F-8-1       |
| BUSH, SWIVEL CASE             | F-10-18    | CLAMP, TUBE(D10.5)             | E-4-10-8   | COVER ASSY., ENGINE         | F-8-1       |
| BUSH, SWIVEL CASE             | F-11-9     | CLAMP, TUBE(D10.5)             | E-6-40     | COVER ASSY., ENGINE         | F-8-1       |

|                              |            |                                |            |                                 |            |
|------------------------------|------------|--------------------------------|------------|---------------------------------|------------|
| COVER B, TERMINAL            | F-7-10-5   | FLOAT SET                      | E-18-10-2  | HOLDER COMP., BRUSH             | E-21-9     |
| COVER B, TERMINAL(L)         | F-7-3      | FLYWHEEL COMP.                 | E-5-12     | HOLDER COMP., BRUSH             | E-21-9     |
| COVER B, TERMINAL(L)         | F-7-10-4   | FRAME COMP., MOUNTING          | F-10-11    | HOLDER, BEARING                 | F-5-1-11   |
| COVER COMP.                  | E-18-10-6  | FUSE, BLOCK 100A(L TYPE)       | F-7-20-3   | HOLDER, DRAIN TUBE              | F-2-46     |
| COVER COMP., CYLINDER HEAD   | E-1-1      | FUSE, MINI(10A)                | F-7-20-10  | HOLDER, NEUTRAL LOCK            | FOP-8-4-14 |
| COVER COMP., FUSE            | F-7-20-2   | FUSE, MINI(15A)                | F-7-20-11  | HOLDER, NEUTRAL LOCK            | FOP-8-7-20 |
| COVER COMP., PLUG HOLE COIL  | E-1-4      | FUSE, MINI(30A)                | F-7-20-12  | HOLDER, OIL FILTER              | E-5-16     |
| COVER, BEARING               | E-19-5     | <G>                            |            | HOLDER, PROPELLER SHAFT         | F-5-10     |
| COVER, CHAIN CASE            | E-9-10-2   | GASKET A, INJECTOR BASE        | E-14-11    | HOLDER, PROPELLER SHAFT         | F-5-1-10   |
| COVER, DRAIN PLUG            | F-8-20-8   | GASKET B, IMPELLER             | F-4-6      | HOLDER, SEAL                    | F-2-20     |
| COVER, DUAL GRIP             | FOP-8-2-8  | GASKET B, IMPELLER             | FOP-10-3   | HOLDER, SHIFT ROD               | F-4-11     |
| COVER, EX. MANIFOLD          | E-4-3      | GASKET B, IMPELLER             | FOP-10-1-6 | HOLDER, SHIFT ROD               | F-4-11     |
| COVER, FLUSH VALVE           | E-6-15     | GASKET COMP., CYLINDER HEAD    | E-9-20-6   | HOLDER, SHIFT ROD               | F-4-11     |
| COVER, FR. SEPARATE          | F-8-20-6   | GASKET COMP., EX. MANIFOLD     | E-4-4      | HOLDER, SHIFT ROD               | F-4-11     |
| COVER, GEAR CASE             | F-3-5      | GASKET, EX. GUIDE              | E-6-9      | HOLDER, SHIFT ROD               | F-4-11     |
| COVER, GRIP                  | FOP-8-4-4  | GASKET, IDLE EX. PORT          | E-6-11     | HOLDER, SHIFT ROD               | F-4-11     |
| COVER, IMPELLER              | F-4-5      | GASKET, MOUNT CASE             | E-6-23     | HOLDER, UPPER MOUNTING          | F-10-13    |
| COVER, IMPELLER              | FOP-10-1-5 | GASKET, UPPER MOUNTING HOLDER  | F-10-14    | HOSE COMP., FUEL                | E-18-6     |
| COVER, L. ENGINE UNDER       | F-8-20-10  | GAUGE COMP., OIL LEVEL         | E-6-5      | HOSE, PRESSURE REGULATOR RETURN | E-18-13    |
| COVER, L. GRIP               | FOP-8-5    | GEAR ASSY., INTERNAL           | E-21-15    | HOUSING ASSY., L. INNER         | FOP-8-3    |
| COVER, L. GRIP               | FOP-8-2-6  | GEAR ASSY., PLANETARY          | E-21-3     | HOUSING ASSY., L. INNER         | FOP-8-2-3  |
| COVER, LEVER                 | FOP-8-7-6  | GEAR ASSY., SHIFT              | FOP-8-7-23 | HOUSING ASSY., R. INNER         | FOP-8-2-4  |
| COVER, LOCK ARM              | FOP-8-4-6  | GEAR ASSY., INTERNAL           | E-21-23    | HOUSING ASSY., R. INNER         | FOP-8-4-2  |
| COVER, OIL PUMP              | E-5-4      | GEAR COMP., BEVEL(FORWARD 30T) | F-5-7      | HOUSING COMP., REMOTE CONTROL   | FOP-8-13   |
| COVER, POWER TRIM-TILT WIRE  | FOP-8-7-18 | GEAR COMP., BEVEL(RVS. 30T)    | F-5-1-8    | HOUSING COMP.,                  |            |
| COVER, POWER TRIM-TILT WIRE  | FOP-8-7-75 | GEAR, BEVEL(FORWARD 30T)       | F-5-1-7    | REMOTE CONTROL BOX(A)           | FOP-8-6-10 |
| COVER, PUMP(A)               | E-18-10-29 | GEAR, BEVEL(RVS. 30T)          | F-5-8      | HOUSING COMP.,                  |            |
| COVER, PUMP(B)               | E-18-10-28 | GEAR, DRIVE                    | FOP-8-7-24 | REMOTE CONTROL BOX(B)           | FOP-8-6-11 |
| COVER, R. ENGINE UNDER       | F-8-20-9   | GEAR, PINION                   | F-4-16     | HOUSING COMP.,                  |            |
| COVER, RELIEF VALVE          | E-6-19     | GENERATOR ASSY., A.C.          | E-19-15    | REMOTE CONTROL BOX(DUAL)        | FOP-8-2-14 |
| COVER, STARTER TERMINAL      | F-7-10-3   | GENERATOR ASSY., A.C.          | E-19-15    | HOUSING, FR.                    | FOP-8-7-12 |
| COVER, THERMOSTAT            | E-9-10-6   | GRIP                           | F-13-2     | HOUSING, IMPELLER               | F-4-3      |
| COVER, WATER JACKET          | E-18-10-12 | GRIP                           | FOP-8-7-5  | HOUSING, IMPELLER               | FOP-10-1-3 |
| CRANKCASE COMP.              | E-3-1      | GRIP, REMOTE CONTROL HANDLE    | FOP-8-6    | HOUSING, LEAD                   | FOP-8-14   |
| CRANKSHAFT COMP.             | E-7-8      | GRIP, REMOTE CONTROL HANDLE    | FOP-8-2-7  | HOUSING, LEAD                   | FOP-8-2-15 |
| CUP SET, WATER SEPARATOR     | E-18-1-3   | GRIP, REMOTE CONTROL HANDLE    | FOP-8-6-4  | HOUSING, LOWER CENTER MOUNTING  | F-3-20-8   |
| CUP, FUEL STRAINER           | E-18-1-8   | GROMMET, ELECTRONIC PARTS CASE | E-20-10-2  | HOUSING, LOWER MOUNTING         | F-3-20-5   |
| <D>                          |            | GROMMET, EXTENSION CASE        | F-4-12     | HOUSING, REMOTE CONTROL BOX(C)  | FOP-8-6-12 |
| DAMPER, HOOK                 | F-8-4      | GROMMET, GEAR CASE             | F-3-4      | HOUSING, RR.                    | FOP-8-7-13 |
| DOWEL PIN, 10X12             | E-7-17     | GROMMET, POWER TILT SWITCH     | F-8-20-4   | HOUSING, WATER SEAL             | F-4-15     |
| DOWEL PIN, 10X16             | E-5-25     | GROMMET, RELAY                 | F-7-10-8   | <I>                             |            |
| DOWEL PIN, 10X16             | E-6-48     | GROMMET, REMOTE CONTROL CABLE  | F-8-10-2   | IMPELLER, PUMP                  | F-4-2      |
| DOWEL PIN, 10X16             | E-9-20-27  | GROMMET, SILENCER              | E-15-6     | IMPELLER, PUMP                  | FOP-10-2   |
| DOWEL PIN, 13X14             | E-3-32     | GROMMET, SILENCER DUCT         | E-15-7     | IMPELLER, PUMP                  | FOP-10-1-2 |
| DOWEL PIN, 13X20             | E-3-31     | GROMMET, TA SENSOR             | E-15-14    | INJECTOR ASSY., FUEL            | E-14-2     |
| DOWEL PIN, 14X20             | E-5-26     | GROMMET, UNDER CASE            | E-13-4     | INSULATOR                       | E-18-10-31 |
| DOWEL PIN, 14X20             | E-6-49     | GROMMET, UNDER CASE            | E-15-15    | INSULATOR COMP.                 | E-18-10-30 |
| DOWEL PIN, 14X20             | E-9-20-28  | GROMMET, UNDER CASE(C)         | F-8-10-3   | <J>                             |            |
| DOWEL PIN, 18X13             | E-10-12    | GROMMET, UNDER COVER           | F-8-20-5   | JOINT A, BREATHER               | F-10-4     |
| DOWEL PIN, 18X22             | E-3-30     | GROMMET, VAPOR SEPARATOR       | E-18-10-34 | JOINT ASSY (INLET)              | F-6-2      |
| DOWEL PIN, 4.2X10.3          | E-9-34     | GROMMET, VAPOR SEPARATOR       | E-18-10-35 | JOINT ASSY (OUTLET)             | F-6-3      |
| DOWEL PIN, 6X10              | E-6-47     | GROMMET, WATER CHECK           | F-8-20-13  | JOINT SET                       | E-18-10-8  |
| DOWEL PIN, 6X10              | F-3-18     | GROMMET, WATER TUBE            | E-6-12     | JOINT, DRIVE                    | F-11-13    |
| DOWEL PIN, 6X10              | F-3-20-18  | GROMMET, WIRE(14)              | FOP-8-7-21 | JOINT, FOUR-WAY                 | E-4-10-6   |
| DOWEL PIN, 6X10              | F-4-25     | GUIDE COMP. B, CAM CHAIN       | E-9-13     | JOINT, FUEL PIPE                | E-14-8     |
| DOWEL PIN, 8X10              | E-10-13    | GUIDE COMP.,                   |            | JOINT, FUEL PIPE                | E-14-9     |
| DRIVER, SCREW(NO.2 + )       | F-13-1     | BALANCER SHAFT CHAIN           | E-10-7     | JOINT, FUEL PIPE                | E-18-10-39 |
| DRUM ASSY., FREE THROTTLE    | FOP-8-7-26 | GUIDE COMP., CAM CHAIN         | E-9-12     | JOINT, FUEL TUBE                | E-4-10-2   |
| DUCT A, SILENCER             | E-13-1     | GUIDE COMP., EX.               | E-6-8      | JOINT, FUEL TUBE                | F-9-7      |
| DUCT B, SILENCER             | E-13-2     | GUIDE COMP., ROD               | F-11-14    | JOINT, FUEL TUBE                | F-9-15     |
| <E>                          |            | GUIDE, ENGINE COVER AIR        | F-8-6      | JOINT, WATER HOSE               | F-9-10     |
| END COVER, RR.               | E-19-19    | GUIDE, EX. VALVE(OS)           | E-9-20-3   | <K>                             |            |
| END, NIPPLE                  | F-3-10     | GUIDE, IN. VALVE(OS)           | E-9-20-2   | KEY, 4.5X21                     | E-7-16     |
| E-RING, 10MM                 | F-4-35     | <H>                            |            | KEY, WOODRUFF                   | F-4-24     |
| E-RING, 12MM                 | F-2-50     | HANDLE, REMOTE CONTROL         | FOP-8-4    | KEY, WOODRUFF                   | FOP-10-4   |
| E-RING, 15MM                 | F-11-45    | HANDLE, REMOTE CONTROL         | FOP-8-2-5  | KEY, WOODRUFF                   | FOP-10-1-9 |
| E-RING, 3MM                  | FOP-8-6-77 | HANDLE, REMOTE CONTROL         | FOP-8-4-3  | KIT, CABLE(NMEA)(6FT)           | FOP-11-1   |
| E-RING, 4MM                  | F-2-48     | HANDLE, REMOTE CONTROL         | FOP-8-6-2  | <L>                             |            |
| E-RING, 4MM                  | FOP-8-6-78 | HANGER B, ENGINE               | E-19-1     | LABEL, FUSE                     | F-12-1     |
| E-RING, 6MM                  | F-2-49     | HANGER, ENGINE                 | E-3-5      | LABEL, OIL CAUTION(E)           | F-12-10    |
| E-RING, 6MM                  | F-8-10-29  | HARNESS ASSY., MAIN WIRE       | F-7-1      | LABEL, SIGP                     | FOP-8-7-48 |
| E-RING, 6MM                  | FOP-8-36   | HARNESS ASSY.,                 |            | LABEL, WARNING OPERATOR         | F-12-11    |
| E-RING, 6MM                  | FOP-8-2-41 | REMOTE CONTROL SUB             | FOP-11-2   | LAMP ASSY., INDICATION          | FOP-8-6-44 |
| E-RING, 6MM                  | FOP-8-4-28 | HARNESS ASSY., SUB WIRE(A)     | E-9-10-31  | LAMP ASSY., INDICATION          | FOP-8-7-40 |
| E-RING, 6MM(LOOSE PARTS)     | FOP-8-7-68 | HARNESS ASSY., SUB WIRE(B)     | E-9-10-32  | LAMP ASSY., INDICATION(4-LED)   | FOP-6-18   |
| E-RING, 7MM                  | FOP-8-6-79 | HARNESS ASSY., SWITCH PANEL    | FOP-6-8    | LAMP ASSY., INDICATION(4-LED)   | FOP-6-1-11 |
| <F>                          |            | HARNESS ASSY., SWITCH PANEL    | FOP-6-1-4  | LEVER SET                       | E-21-17    |
| FILTER ASSY., SPOOL VALVE    | E-9-20-9   | HARNESS COMP.                  | E-18-10-43 | LEVER, COVER LOCK               | F-8-10-10  |
| FILTER ASSY., VTC            | E-9-20-13  | HARNESS, TROLLING CONTROL      |            | LEVER, FREE THROTTLE            | FOP-8-7-28 |
| FILTER B                     | F-11-16    | SWITCH PANEL                   | FOP-12-5   | LEVER, HAND                     | FOP-8-7-3  |
| FILTER COMP.,                |            | HEAD KIT, CYLINDER             | E-9-20-1   | LEVER, HANDLE LOCK              | FOP-8-6-3  |
| ELECTRONIC AIR CONTROL VALVE | E-14-19    | HOLDER                         | E-18-10-11 | LEVER, IDLE                     | FOP-8-6-22 |
| FLANGE COMP., OIL FILTER     | E-5-11     | HOLDER ASSY., BRUSH            | E-19-2     | LINE, FUEL                      | E-14-4     |

|                                    |            |                                     |             |                                       |            |
|------------------------------------|------------|-------------------------------------|-------------|---------------------------------------|------------|
| LINER, PUMP .....                  | F-4-4      | NUT, SELF-LOCK, 5MM .....           | F-3-17      | PACKING, THERMOSTAT COVER .....       | E-9-10-7   |
| LINER, PUMP .....                  | FOP-10-1-4 | NUT, SELF-LOCK, 6MM .....           | F-3-16      | PACKING, THROTTLE BODY .....          | E-14-13    |
| LINER, SWIVEL CASE .....           | F-10-17    | NUT, TAPPET ADJUSTING .....         | E-9-32      | PANEL ASSY., INDICATOR(4-LED) .....   | FOP-6-17   |
| LINK, THROTTLE .....               | F-2-3      | NUT, TAPPET ADJUSTING .....         | E-9-33      | PANEL ASSY., SWITCH .....             | FOP-6-5    |
| LINKAGE, PIVOT .....               | F-2-1      | NUT, WATER MOUTH .....              | F-9-9       | PANEL ASSY., TROLLING CONTROL .....   | FOP-12-6   |
| LOCK COMP., FR. ....               | F-8-10-19  | NUT-WASHER, 5MM .....               | E-19-30     | PANEL KIT, SWITCH(4-LED) .....        | FOP-6-1-1  |
| LOCK COMP., FR. ....               | F-8-10-19  | NUT-WASHER, 6MM .....               | F-7-5       | PANEL KIT, SWITCH(B)(4-LED) .....     | FOP-6-1    |
| LOCK COMP., FR. ....               | F-8-10-19  | NUT-WASHER, 8MM .....               | F-7-10-13   | PANEL, BACK .....                     | FOP-8-7-14 |
| LOCK COMP., SIDE .....             | F-8-10-20  | <O> .....                           |             | PANEL, CONTROL .....                  | FOP-6-6    |
| LOW PERMEATION HOSE L=1600 .....   | F-6-7      | OIL SEAL .....                      | F-11-33     | PANEL, CONTROL .....                  | FOP-6-7    |
| LOW PERMEATION HOSE L=700 .....    | F-6-6      | OIL SEAL, 14X26X6 .....             | F-2-43      | PANEL, CONTROL .....                  | FOP-6-1-3  |
| <M> .....                          |            | OIL SEAL, 31X46X7(NOK) .....        | E-5-21      | PIN A, DOWEL, 12X16 .....             | E-10-14    |
| MANIFOLD COMP., EX .....           | E-4-2      | OIL SEAL, 39.5X52X6(ARAI) .....     | F-10-60     | PIN, 6X6 .....                        | FOP-8-6-63 |
| MANIFOLD COMP., INTAKE .....       | E-14-14    | OIL SEAL, 43X58X7(ARAI) .....       | E-9-10-22   | PIN, LINK .....                       | F-2-38     |
| MARK, EMBLEM .....                 | FOP-8-7-47 | OIL SEAL, 46X60X9 .....             | E-5-20      | PIN, LINK .....                       | F-2-40     |
| MARK, EMERGENCY STOP(US) .....     | FOP-8-7-44 | OIL SEAL, 80X98X10(ARAI) .....      | E-3-33      | PIN, LOCK, 6MM .....                  | FOP-8-6-62 |
| MARK, EMERGENCY STOP(US) .....     |            | ORIFICE, LOWER BLOCK .....          | E-3-4       | PIN, PISTON .....                     | E-7-3      |
| (LOOSE PARTS) .....                | FOP-8-7-45 | ORIFICE, OIL JET .....              | E-3-7       | PIN, SHIFT LINK .....                 | F-2-39     |
| MARK, FAST IDLE .....              | FOP-8-6-48 | O-RING .....                        | E-15-12     | PIN, SHIFTER, 8X47 .....              | F-5-2      |
| MARK, FAST IDLE .....              | FOP-8-7-43 | O-RING .....                        | E-18-1-11   | PIN, SHIFTER, 8X47 .....              | F-5-1-2    |
| MARK, FLUSH MOUNT .....            | FOP-8-4-19 | O-RING .....                        | E-18-10-13  | PIN, SNAP, 12MM .....                 | F-2-41     |
| MARK, FR. EMBLEM(TOYOTA) .....     | F-12-16    | O-RING .....                        | E-18-10-14  | PIN, SPLIT, 4.0 .....                 | F-5-19     |
| MARK, HANDLE FLUSH MOUNT .....     | FOP-8-4-18 | O-RING .....                        | E-18-10-15  | PIN, SPLIT, 4.0 .....                 | F-5-1-21   |
| MARK, L. SIDE STRIPE .....         | F-12-15    | O-RING .....                        | E-18-10-16  | PIN, SPRING, 2.5X20 .....             | F-10-64    |
| MARK, R. SIDE STRIPE .....         | F-12-14    | O-RING .....                        | E-18-10-17  | PIN, UPPER CYLINDER .....             | F-11-24    |
| MARK, REMOTE CONTROL(DUAL) .....   | FOP-8-2-24 | O-RING .....                        | E-18-10-18  | PIPE COMP., OIL LEVEL .....           | E-6-6      |
| MARK, REMOTE CONTROL(SINGLE) ..... | FOP-8-21   | O-RING .....                        | E-18-10-19  | PIPE, HARNESS GUIDE .....             | FOP-8-6-32 |
| MARK, RR.(BFT150) .....            | F-12-13    | O-RING SET, 3.5X31.7 .....          | F-11-41     | PISTON A .....                        | E-7-2      |
| METAL COMP., ANODE .....           | F-3-9      | O-RING, 1.8X69.6 .....              | F-11-35     | PISTON B .....                        | E-7-2      |
| METAL KIT, ANODE .....             | F-10-1     | O-RING, 1.8X7.7 .....               | F-11-37     | PISTON COMP., FREE .....              | F-11-20    |
| METAL, ANODE .....                 | E-4-1      | O-RING, 1.9X11 .....                | F-11-38     | PIVOT, SHIFT .....                    | F-2-15     |
| METAL, BALANCER SHAFT(DAIDO) ..... | E-10-8     | O-RING, 105X3.1 .....               | F-5-27      | PIVOT, SHIFT .....                    | FOP-8-6-17 |
| METER LEAD WIRE .....              | FOP-2-3    | O-RING, 105X3.1 .....               | F-5-1-29    | PIVOT, SHIFT SLIDE .....              | F-2-16     |
| MOTION COMP., LOST .....           | E-9-20-7   | O-RING, 11.5X3.5 .....              | E-6-45      | PLATE .....                           | E-18-1-12  |
| MOTOR ASSY., POWER TILT .....      | F-11-3     | O-RING, 13X1.5(ARAI) .....          | E-3-37      | PLATE .....                           | E-18-10-10 |
| MOTOR ASSY., STARTER .....         | E-21-1     | O-RING, 15.54X2.26 .....            | F-10-61     | PLATE ASSY. ....                      | FOP-8-7-2  |
| MOUNT COMP., UPPER RUBBER .....    | F-10-12    | O-RING, 15X1.9 .....                | E-9-10-27   | PLATE COMP., SLIDING .....            | FOP-8-6-15 |
| <N> .....                          |            | O-RING, 15X1.9 .....                | E-9-20-24   | PLATE COMP., THROTTLE .....           | F-2-4      |
| NIPPLE, GREASE .....               | F-10-59    | O-RING, 15X1.9 .....                | E-9-20-25   | PLATE SET, TRANSMOM(5.5MM FLAT) ..... | FOP-7-2    |
| NIPPLE, SENSOR .....               | F-3-11     | O-RING, 16MM .....                  | E-6-44      | PLATE SET, TRIM ADJUST .....          | FOP-7-1    |
| NUT, 5MM .....                     | FOP-8-7-59 | O-RING, 2.0X70.5 .....              | F-11-34     | PLATE, CABLE CLAMP .....              | FOP-8-11   |
| NUT, 6MM(LOOSE PARTS) .....        | FOP-8-7-57 | O-RING, 20.6X2.6 .....              | E-6-46      | PLATE, CABLE CLAMP .....              | FOP-8-2-12 |
| NUT, ADJUSTER ROD .....            | F-10-43    | O-RING, 22.5X2.4 .....              | E-5-22      | PLATE, CRANK PULSER .....             | E-7-13     |
| NUT, CASTLE, 18MM .....            | F-5-13     | O-RING, 25X2.4(NOK) .....           | F-2-45      | PLATE, DWELL .....                    | FOP-8-15   |
| NUT, CASTLE, 18MM .....            | F-5-1-14   | O-RING, 26X2.7 .....                | E-3-34      | PLATE, DWELL .....                    | FOP-8-2-16 |
| NUT, CLIP .....                    | F-8-20-15  | O-RING, 3.5X35.7 .....              | F-11-39     | PLATE, DWELL .....                    | FOP-8-4-10 |
| NUT, FLANGE CAP, 10MM .....        | E-3-28     | O-RING, 3.5X38.7 .....              | F-11-36     | PLATE, HANDLE .....                   | FOP-8-10   |
| NUT, FLANGE CAP, 6MM .....         | E-1-6      | O-RING, 3.5X41.7 .....              | F-11-40     | PLATE, HANDLE .....                   | FOP-8-2-11 |
| NUT, FLANGE, 10MM .....            | F-10-44    | O-RING, 33.2X2.4(NOK) .....         | E-18-26     | PLATE, LEVER SETTING .....            | FOP-8-6-8  |
| NUT, FLANGE, 12MM .....            | F-3-20-14  | O-RING, 37X2.4 .....                | E-4-15      | PLATE, LOCK .....                     | F-2-17     |
| NUT, FLANGE, 12MM .....            | F-10-40    | O-RING, 55.6X3.5 .....              | F-4-31      | PLATE, REMOTE CONTROL .....           | FOP-8-6-47 |
| NUT, FLANGE, 5MM .....             | FOP-6-3    | O-RING, 58.5X3.5 .....              | F-4-33      | PLATE, REMOTE CONTROL CABLE .....     | F-2-5      |
| NUT, FLANGE, 5MM .....             | FOP-6-1-2  | O-RING, 59.4X3.1 .....              | E-21-22     | PLATE, RUBBER SETTING .....           | F-3-1      |
| NUT, FLANGE, 6MM .....             | E-14-33    | O-RING, 6.5X1.5 .....               | E-3-35      | PLATE, SHIFT .....                    | F-5-6      |
| NUT, FLANGE, 8MM .....             | E-14-32    | O-RING, 6.9X1.45 .....              | F-3-19      | PLATE, SHIFT .....                    | F-5-1-6    |
| NUT, FLANGE, 8MM .....             | E-19-29    | O-RING, 7.45X3.61(NOK) .....        | E-14-38     | PLATE, SHIFT PIVOT .....              | F-2-14     |
| NUT, HEX., 12MM .....              | F-10-63    | O-RING, 7.47X3.6 .....              | E-14-37     | PLATE, SPEED SENSOR TUBE .....        | F-10-16    |
| NUT, HEX., 16MM .....              | F-8-20-16  | O-RING, 7.8X1.9(ARAI) .....         | E-14-36     | PLATE, SPRING SETTING .....           | FOP-8-6-23 |
| NUT, HEX., 16MM .....              | FOP-6-23   | O-RING, 7.8X1.9(ARAI) .....         | E-18-10-52  | PLATE, SWITCH .....                   | FOP-8-7-36 |
| NUT, HEX., 16MM .....              | FOP-6-1-16 | O-RING, 76.4X3.1 .....              | E-4-13      | PLATE, TDC PULSE .....                | E-9-3      |
| NUT, HEX., 16MM .....              | FOP-8-6-53 | O-RING, 79.8X3.1 .....              | E-4-14      | PLATE, WATER TUBE .....               | E-6-13     |
| NUT, HEX., 16MM .....              | FOP-8-7-58 | O-RING, 9.5X1.5(HONDA KIKAKI) ..... | E-9-10-25   | PLATE, WINKER BUZZER .....            | FOP-6-19   |
| NUT, HEX., 18MM .....              | F-4-21     | O-RING, 9.5X1.9 .....               | E-3-36      | PLATE, WINKER BUZZER .....            | FOP-6-1-12 |
| NUT, HEX., 20MM .....              | F-2-32     | O-RING, 9.5X1.9 .....               | E-4-16      | PLATE, WINKER BUZZER .....            | FOP-8-6-45 |
| NUT, HEX., 4MM .....               | FOP-12-8   | O-RING, 9.5X1.9 .....               | E-9-10-26   | PLATE, WINKER BUZZER .....            | FOP-8-7-41 |
| NUT, HEX., 5MM .....               | F-2-47     | O-RING, CHAIN CASE .....            | E-9-10-23   | PLUG, FUEL TUBE .....                 | F-9-8      |
| NUT, HEX., 5MM .....               | FOP-8-29   | O-RING, THERMOSTAT COVER .....      | E-6-21      | PLUG, INNER CONNECTOR .....           | FOP-6-10   |
| NUT, HEX., 5MM .....               | FOP-8-35   | O-RING, WATER PUMP .....            | F-4-32      | PLUG, INNER CONNECTOR .....           | FOP-6-1-5  |
| NUT, HEX., 5MM .....               | FOP-8-2-33 | O-RING, WATER PUMP .....            | FOP-10-5    | PLUG, INNER CONNECTOR .....           | FOP-8-6-35 |
| NUT, HEX., 5MM .....               | FOP-8-2-34 | O-RING, WATER PUMP .....            | FOP-10-1-10 | PLUG, INNER CONNECTOR .....           | FOP-8-7-31 |
| NUT, HEX., 5MM .....               | FOP-8-2-40 | <P> .....                           |             | PLUG, INNER CONNECTOR .....           | FOP-11-3   |
| NUT, HEX., 5MM .....               | FOP-8-6-76 | PACKING .....                       | E-21-16     | PLUG, OUTER CONNECTOR .....           | FOP-6-11   |
| NUT, HEX., 6MM .....               | E-19-31    | PACKING .....                       | F-11-43     | PLUG, OUTER CONNECTOR .....           | FOP-6-1-6  |
| NUT, HEX., 6MM .....               | F-8-14     | PACKING, CHAIN CASE .....           | E-9-10-24   | PLUG, OUTER CONNECTOR .....           | FOP-8-6-36 |
| NUT, HEX., 6MM .....               | FOP-8-4-25 | PACKING, CYLINDER HEAD COVER .....  | E-1-2       | PLUG, OUTER CONNECTOR .....           | FOP-8-7-32 |
| NUT, HEX., 6MM .....               | FOP-8-6-54 | PACKING, DUAL .....                 | FOP-8-2-19  | PLUG, OUTER CONNECTOR .....           | FOP-11-4   |
| NUT, HEX., 6MM .....               | FOP-8-6-75 | PACKING, ELECTRONIC AIR .....       |             | PLUG, SPARK(IZR6K-11) .....           | E-20-4     |
| NUT, LOCK, 64MM .....              | F-4-20     | CONTROL VALVE .....                 | E-14-21     | PLUG, SPARK(KJ20DR-M11) .....         | E-20-4     |
| NUT, PULLEY LOCK .....             | E-19-7     | PACKING, FLASH VALVE .....          | E-6-20      | PLUG, SPARK(SKJ20DR-M11) .....        | E-20-4     |
| NUT, SELF-LOCK(25X2.0) .....       | F-10-42    | PACKING, INTAKE MANIFOLD .....      | E-14-12     | PLUG, SPARK(ZFR6K-11) .....           | E-20-4     |
| NUT, SELF-LOCK(3/8-24UNF) .....    | F-10-45    | PACKING, OIL PAN .....              | E-6-2       | PLUG, TDC HOLE .....                  | E-9-20-16  |
| NUT, SELF-LOCK(7/8-14UNF) .....    | F-10-41    | PACKING, OIL PUMP BODY .....        | E-5-3       | PLUG, TDC HOLE .....                  | E-9-20-11  |
|                                    |            | PACKING, SINGLE .....               | FOP-8-18    | PORT, IDLE EXHAUST .....              | E-6-10     |

|                                     |            |                                  |            |                                       |            |
|-------------------------------------|------------|----------------------------------|------------|---------------------------------------|------------|
| PRIMER BULB .....                   | F-6-4      | SCREW .....                      | E-19-9     | SEAL, WATER, 30X45X7 .....            | F-5-26     |
| PRIMER BULB ASSY .....              | F-6-1      | SCREW .....                      | E-19-12    | SEAL, WATER, 30X45X7 .....            | F-5-1-28   |
| PROPELLER COMP., THREE BLADES ..... | F-5-11     | SCREW SET .....                  | E-15-1     | SEAT, SPRING(150) .....               | E-7-19     |
| PROPELLER COMP., THREE BLADES ..... | F-5-11     | SCREW SET, DRAIN .....           | E-18-10-7  | SEAT, VALVE SPRING .....              | E-9-27     |
| PROPELLER COMP., THREE BLADES ..... | F-5-11     | SCREW, 4X10 .....                | FOP-8-7-52 | SEAT, WATER MOUTH .....               | F-9-11     |
| PROPELLER COMP., THREE BLADES ..... | F-5-11     | SCREW, 4X6 .....                 | FOP-8-7-50 | SENSOR ASSY., AIR TEMP .....          | E-15-13    |
| PROPELLER COMP., THREE BLADES ..... | F-5-11     | SCREW, 5X10 .....                | FOP-8-7-51 | SENSOR ASSY., CRANK .....             | E-9-10-13  |
| PROPELLER COMP., THREE BLADES ..... | F-5-11     | SCREW, 5X12 .....                | FOP-8-7-53 | SENSOR ASSY., KNOCK .....             | E-3-12     |
| PROPELLER COMP., THREE BLADES ..... | F-5-11     | SCREW, 5X18 .....                | FOP-8-7-49 | SENSOR ASSY., MAP .....               | E-15-11    |
| PROPELLER COMP., THREE BLADES ..... | F-5-11     | SCREW, 6X90(LOOSE PARTS) .....   | FOP-8-7-54 | SENSOR ASSY., TDC .....               | E-9-20-15  |
| PROPELLER COMP., THREE BLADES ..... | F-5-11     | SCREW, 6X95 .....                | FOP-8-6-52 | SENSOR ASSY., TRIM ANGLE .....        | F-10-8     |
| PROPELLER COMP., THREE BLADES ..... | F-5-11     | SCREW, FLAT, 5X12 .....          | FOP-8-6-51 | SENSOR ASSY., WATER TEMPERATURE ..... | E-3-15     |
| PROPELLER COMP., THREE BLADES ..... | F-5-11     | SCREW, FLAT, 6X16 .....          | E-5-23     | SENSOR ASSY., WATER TEMPERATURE ..... | E-4-7      |
| PROPELLER COMP., THREE BLADES ..... | F-5-11     | SCREW, OVAL, 5X50 .....          | F-3-21     | SENSOR ASSY., WATER TEMPERATURE ..... | E-9-10-11  |
| PROPELLER COMP., THREE BLADES ..... | F-5-1-12   | SCREW, PAN .....                 | E-18-10-21 | SENSOR ASSY., WATER TEMPERATURE ..... | E-9-10-12  |
| PROPELLER COMP., THREE BLADES ..... | F-5-1-12   | SCREW, PAN, 4X10 .....           | FOP-8-26   | SENSOR, LAF .....                     | E-4-6      |
| PROPELLER COMP., THREE BLADES ..... | F-5-1-12   | SCREW, PAN, 4X10 .....           | FOP-8-2-29 | SENSOR, OIL PRESSURE .....            | E-3-16     |
| PROPELLER COMP., THREE BLADES ..... | F-5-1-12   | SCREW, PAN, 5X10 .....           | FOP-8-23   | SEPARATOR ASSY., VAPOR .....          | E-18-10-33 |
| PROPELLER COMP., THREE BLADES ..... | F-5-1-12   | SCREW, PAN, 5X10 .....           | FOP-8-2-26 | SEPARATOR ASSY., WATER .....          | E-18-1-2   |
| PULLER, MINI FUSE .....             | F-7-20-4   | SCREW, PAN, 5X10 .....           | FOP-8-6-69 | SHAFT ASSY., CLUTCH .....             | E-21-13    |
| PULLEY .....                        | E-19-6     | SCREW, PAN, 5X12 .....           | E-18-1-7   | SHAFT ASSY., CLUTCH .....             | E-21-13    |
| PULLEY, CRANKSHAFT .....            | E-7-14     | SCREW, PAN, 5X16 .....           | FOP-8-22   | SHAFT ASSY., GEAR .....               | E-21-14    |
| PUMP ASSY. ....                     | F-11-11    | SCREW, PAN, 5X16 .....           | FOP-8-2-25 | SHAFT ASSY., GEAR .....               | E-21-14    |
| PUMP ASSY., FUEL .....              | E-18-5     | SCREW, PAN, 5X16 .....           | FOP-8-4-20 | SHAFT COMP. A, SHIFT .....            | F-2-12     |
| PUMP ASSY., OIL .....               | E-5-2      | SCREW, PAN, 5X18 .....           | E-15-16    | SHAFT COMP. B, SHIFT .....            | F-2-18     |
| PUMP KIT, IMPELLER .....            | FOP-10-1   | SCREW, PAN, 5X18 .....           | FOP-8-25   | SHAFT COMP., FR. BALANCER .....       | E-10-2     |
| PUMP KIT, IMPELLER .....            | FOP-10-1-1 | SCREW, PAN, 5X18 .....           | FOP-8-2-28 | SHAFT COMP., RR. BALANCER .....       | E-10-3     |
| PUMP UNIT, FUEL .....               | E-18-10-4  | SCREW, PAN, 5X20 .....           | FOP-8-24   | SHAFT, COVER OPEN .....               | F-8-10-17  |
| PUMP UNIT, FUEL .....               | E-18-10-37 | SCREW, PAN, 5X20 .....           | FOP-8-2-27 | SHAFT, EX. ROCKER .....               | E-9-18     |
| PUMP UNIT, FUEL(B) .....            | E-18-10-9  | SCREW, PAN, 5X30 .....           | FOP-8-4-22 | SHAFT, FR. LOCK .....                 | F-8-10-18  |
| <R>                                 |            | SCREW, PAN, 5X40 .....           | FOP-6-22   | SHAFT, PROPELLER .....                | F-5-9      |
| RECEIVER, THRUST .....              | F-10-28    | SCREW, PAN, 5X40 .....           | FOP-6-1-15 | SHAFT, PROPELLER .....                | F-5-1-9    |
| RECTIFIER ASSY. ....                | E-19-21    | SCREW, PAN, 5X40 .....           | FOP-8-28   | SHAFT, ROCKER .....                   | E-9-17     |
| REGULATOR ASSY. ....                | E-19-22    | SCREW, PAN, 5X40 .....           | FOP-8-2-31 | SHAFT, THROTTLE BUTTON .....          | FOP-8-4-9  |
| REGULATOR ASSY., PRESSURE .....     | E-14-5     | SCREW, PAN, 5X55 .....           | FOP-8-2-32 | SHAFT, TILTING .....                  | F-10-22    |
| RELAY ASSY., FUEL PUMP(DENSO) ..... | F-7-20-5   | SCREW, PAN, 5X65 .....           | FOP-8-34   | SHAFT, VERTICAL(L) .....              | F-4-13     |
| RELAY ASSY., POWER TILT .....       | F-7-10-7   | SCREW, PAN, 5X65 .....           | FOP-8-2-39 | SHAFT, VERTICAL(XL) .....             | F-4-13     |
| RELAY ASSY., POWER(12V-20A) .....   | F-7-20-6   | SCREW, PAN, 5X8 .....            | E-21-20    | SHIFTER, CLUTCH .....                 | F-5-1      |
| RETAINER, SPRING .....              | E-7-18     | SCREW, PAN, 6X10 .....           | FOP-8-6-50 | SHIFTER, CLUTCH .....                 | F-5-1-1    |
| RETAINER, VALVE SPRING .....        | E-9-26     | SCREW, PAN, 6X18 .....           | E-4-18     | SHIM A, BEVEL(0.10) .....             | F-5-17     |
| RING .....                          | E-18-10-32 | SCREW, PAN, 6X18 .....           | FOP-8-27   | SHIM A, BEVEL(0.10) .....             | F-5-1-18   |
| RING SET, PISTON(STD.) .....        | E-7-1      | SCREW, PAN, 6X18 .....           | FOP-8-2-30 | SHIM A, GEAR(0.10) .....              | F-4-23     |
| RING, BACK UP .....                 | F-11-17    | SCREW, PAN, 6X22 .....           | E-21-19    | SHIM A, THRUST(0.10) .....            | F-5-1-19   |
| RING, CROSS PIN .....               | F-5-3      | SCREW, PAN, 6X22(SPECIAL) .....  | E-21-19    | SHIM B, BEVEL(0.15) .....             | F-5-17     |
| RING, CROSS PIN .....               | F-5-1-3    | SCREW, PAN, 6X25 .....           | F-8-20-20  | SHIM B, BEVEL(0.15) .....             | F-5-1-18   |
| RING, INNER(15X20X23) .....         | F-2-42     | SCREW, PAN, 6X35 .....           | FOP-8-4-23 | SHIM B, GEAR(0.15) .....              | F-4-23     |
| RING, STOPPER .....                 | F-2-11     | SCREW, PAN, 6X8 .....            | F-3-20-13  | SHIM B, THRUST(0.15) .....            | F-5-1-19   |
| RING, WATER TUBE SEAL .....         | F-4-8      | SCREW, PAN, 6X8 .....            | F-10-37    | SHIM C, BEVEL(0.30) .....             | F-5-17     |
| RING, WATER TUBE SEAL .....         | FOP-10-1-7 | SCREW, PAN, 6X8 .....            | F-11-31    | SHIM C, BEVEL(0.30) .....             | F-5-1-18   |
| ROD COMP. A, SHIFT(L) .....         | F-2-10     | SCREW, RIVET, 5X10 .....         | F-10-38    | SHIM C, GEAR(0.30) .....              | F-4-23     |
| ROD COMP. A, SHIFT(XL) .....        | F-2-10     | SCREW, TAPPET ADJUSTING .....    | E-9-22     | SHIM C, THRUST(0.30) .....            | F-5-1-19   |
| ROD COMP., CONNECTING .....         | E-7-6      | SCREW, TAPPET ADJUSTING .....    | E-9-23     | SHIM D, BEVEL(0.50) .....             | F-5-17     |
| ROD COMP., PISTON .....             | F-11-18    | SCREW, TAPPING, 4X12 .....       | F-8-13     | SHIM D, BEVEL(0.50) .....             | F-5-1-18   |
| ROD COMP., PISTON(B) .....          | F-11-12    | SCREW, TAPPING, 5X10 .....       | FOP-8-6-71 | SHIM D, GEAR(0.50) .....              | F-4-23     |
| ROD COMP., SHIFT .....              | F-4-9      | SCREW, TAPPING, 5X12 .....       | FOP-8-6-72 | SHIM D, THRUST(0.50) .....            | F-5-1-19   |
| ROD COMP., SHIFT .....              | F-4-9      | SCREW, TAPPING, 5X20 .....       | E-13-9     | SLIDER, SHIFT .....                   | F-5-4      |
| ROD COMP., THROTTLE .....           | F-2-2      | SCREW, TAPPING, 5X25 .....       | FOP-8-6-74 | SLIDER, SHIFT .....                   | F-5-1-4    |
| ROD KIT, STEERING .....             | F-10-3     | SCREW, TAPPING, 5X8 .....        | FOP-8-6-70 | SLINGER, OIL .....                    | F-4-14     |
| ROD, ADJUSTING .....                | F-10-21    | SCREW, TAPPING, 6X16 .....       | FOP-8-6-73 | SPACER KIT, REMOTE CONTROL BOX .....  | FOP-8-2    |
| ROD, STEERING .....                 | F-10-26    | SCREW, TAPPING, 6X30 .....       | FOP-8-4-24 | SPACER KIT, REMOTE CONTROL BOX .....  | FOP-8-2-2  |
| ROLLER .....                        | FOP-8-7-70 | SCREW, TRUSS, 4X12 .....         | FOP-8-4-21 | SPACER KIT, THERMOSTAT COVER .....    | E-9-10-5   |
| ROLLER, 3X12.8 .....                | F-5-25     | SCREW, WASHER .....              | E-18-10-22 | SPACER(1)(LOOSE PARTS) .....          | FOP-8-7-10 |
| ROLLER, 3X12.8 .....                | F-5-1-27   | SCREW-WASHER .....               | E-18-10-20 | SPACER(2)(LOOSE PARTS) .....          | FOP-8-7-67 |
| ROLLER, 5X8 .....                   | E-5-28     | SCREW-WASHER .....               | E-19-10    | SPACER, CABLE CLAMP .....             | FOP-8-17   |
| ROLLER, CLICK .....                 | FOP-8-6-64 | SCREW-WASHER, 4X25 .....         | E-19-11    | SPACER, CABLE CLAMP .....             | FOP-8-2-18 |
| ROLLER, DRIVE GEAR CAM .....        | FOP-8-7-69 | SCREW-WASHER, 5X15 .....         | F-7-20-9   | SPACER, CABLE CLAMP .....             | FOP-8-4-13 |
| ROLLER, FREE THROTTLE .....         | FOP-8-7-73 | SEAL A, COVER UNDER .....        | F-8-20-11  | SPACER, CABLE CLAMP .....             | FOP-8-6-33 |
| ROTOR ASSY. ....                    | E-19-16    | SEAL A, VALVE STEM(ARAI) .....   | E-9-20-4   | SPACER, CLICK SPRING .....            | FOP-8-6-27 |
| ROTOR COMP. ....                    | E-21-5     | SEAL A, VALVE STEM(NOK) .....    | E-9-20-4   | SPACER, NEUTRAL SWITCH .....          | FOP-8-6-30 |
| ROTOR, INNER OIL PUMP .....         | E-5-8      | SEAL B, COVER UNDER .....        | F-8-20-12  | SPACER, REMOTE CONTROL BOX .....      | FOP-8-6-26 |
| ROTOR, OUTER OIL PUMP .....         | E-5-9      | SEAL B, VALVE STEM(ARAI) .....   | E-9-20-5   | SPRING COMP., CLICK .....             | F-10-5     |
| RUBBER B, STAND STOPPER .....       | F-8-20-21  | SEAL B, VALVE STEM(NOK) .....    | E-9-20-5   | SPRING(1) .....                       | FOP-8-7-27 |
| RUBBER COMP., LOWER MOUNT .....     | F-3-20-6   | SEAL, ENGINE COVER .....         | F-8-2      | SPRING(2) .....                       | FOP-8-7-8  |
| RUBBER RING .....                   | E-9-10-29  | SEAL, FR. SEPARATE COVER .....   | F-8-20-7   | SPRING, ACCELERATOR WHEEL .....       | FOP-8-6-21 |
| RUBBER, FR. CARRIER CUSHION .....   | E-14-22    | SEAL, PLUG HOLE .....            | E-20-2     | SPRING, AIR FLOW TUBE .....           | E-15-3     |
| RUBBER, MOUNT CASE SEAL .....       | E-6-24     | SEAL, RUBBER .....               | FOP-8-7-19 | SPRING, CHOKE RETURN .....            | FOP-8-6-25 |
| RUBBER, OIL PUMP .....              | E-6-3      | SEAL, SPARK PLUG TUBE(NOK) ..... | E-1-3      | SPRING, CLICK .....                   | F-2-9      |
| RUBBER, TROLLING CONTROL .....      |            | SEAL, WATER .....                | F-11-42    | SPRING, CLICK ASSIST .....            | F-10-6     |
| SWITCH PANEL .....                  | FOP-12-2   | SEAL, WATER(14X26X8) .....       | F-2-44     | SPRING, COVER LOCK HOOK .....         | F-8-10-14  |
| <S>                                 |            | SEAL, WATER, 12X21X6 .....       | F-4-30     | SPRING, COVER LOCK HOOK .....         | F-8-10-15  |
| SCREEN COMP., FUEL STRAINER .....   | E-18-10-41 | SEAL, WATER, 22X35X7 .....       | E-6-43     | SPRING, DETENT .....                  | FOP-8-7-29 |
| SCREEN, L. WATER .....              | F-3-7      | SEAL, WATER, 23X36X6 .....       | F-4-29     | SPRING, EX. VALVE(GRAY) .....         | E-9-25     |
| SCREEN, R. WATER .....              | F-3-6      | SEAL, WATER, 23X36X8 .....       | F-4-28     | SPRING, FLUSH VALVE .....             | E-6-16     |



|                                      |            |                                |            |                                |            |
|--------------------------------------|------------|--------------------------------|------------|--------------------------------|------------|
| SPRING, IN. VALVE(PINK) .....        | E-9-24     | TRIM-TILT ASSY., POWER .....   | F-11-10    | WASHER, PLAIN, 10MM .....      | F-5-18     |
| SPRING, LOCK ADJUSTER .....          | F-8-5      | TUBE A, WATER RELIEF .....     | E-4-10-4   | WASHER, PLAIN, 10MM .....      | F-5-1-20   |
| SPRING, LOCK LEVER RETURN .....      | F-8-10-16  | TUBE B, AIR VENT .....         | E-18-3     | WASHER, PLAIN, 10MM .....      | F-8-10-26  |
| SPRING, MOTOR .....                  | F-11-7     | TUBE B, FUEL .....             | E-18-10    | WASHER, PLAIN, 10MM .....      | F-10-50    |
| SPRING, NEUTRAL LOCK ARM .....       | FOP-8-4-7  | TUBE B, WATER RELIEF .....     | E-4-10-5   | WASHER, PLAIN, 10MM .....      | F-10-54    |
| SPRING, RELIEF VALVE .....           | E-5-6      | TUBE COMP. A, FUEL(FKM) .....  | F-9-1      | WASHER, PLAIN, 12MM .....      | E-6-38     |
| SPRING, REMOTE CONTROL HANDLE ..     | FOP-8-6-7  | TUBE COMP. B, FUEL .....       | F-9-2      | WASHER, PLAIN, 12MM .....      | F-2-34     |
| SPRING, SET .....                    | E-18-10-42 | TUBE COMP. C, AIR VENT .....   | E-18-2     | WASHER, PLAIN, 12MM .....      | F-3-20-16  |
| SPRING, SHIFT .....                  | F-5-5      | TUBE COMP. C, FUEL .....       | F-9-3      | WASHER, PLAIN, 12MM .....      | F-4-22     |
| SPRING, SHIFT .....                  | F-5-1-5    | TUBE COMP. E, FUEL .....       | F-9-5      | WASHER, PLAIN, 12MM .....      | F-8-11     |
| SPRING, SHIFT CLICK .....            | FOP-8-6-24 | TUBE COMP. E, WATER .....      | E-4-10-7   | WASHER, PLAIN, 12MM .....      | F-10-51    |
| SPRING, SHIFT ROD .....              | F-4-10     | TUBE COMP., AIR VENT .....     | E-18-4     | WASHER, PLAIN, 12MM .....      | F-10-52    |
| SPRING, SILENCER DUCT GROMMET ..     | E-15-8     | TUBE COMP., WATER RELIEF ..... | E-4-10-3   | WASHER, PLAIN, 12MM .....      | F-10-53    |
| SPRING, SUPPORT .....                | E-7-20     | TUBE D, FUEL .....             | E-18-7     | WASHER, PLAIN, 4MM .....       | FOP-8-6-55 |
| SPROCKET COMP., CHAIN DRIVE .....    | E-7-12     | TUBE D, FUEL .....             | F-9-4      | WASHER, PLAIN, 5MM .....       | FOP-6-25   |
| SPROCKET, CAM CHAIN DRIVEN .....     | E-9-6      | TUBE F, FUEL .....             | E-18-10-40 | WASHER, PLAIN, 5MM .....       | FOP-6-1-18 |
| SPROCKET, CAM CHAIN DRIVEN IN ..     | E-9-7      | TUBE F, WATER .....            | E-18-14    | WASHER, PLAIN, 5MM .....       | FOP-8-31   |
| SPROCKET, DRIVEN(17T) .....          | E-10-4     | TUBE G, WATER .....            | E-18-16    | WASHER, PLAIN, 5MM .....       | FOP-8-33   |
| STAY A, PLATE .....                  | E-18-10-3  | TUBE KIT, SPEED SENSOR .....   | F-10-2     | WASHER, PLAIN, 5MM .....       | FOP-8-2-36 |
| STAY, A.C. GENERATOR .....           | E-19-18    | TUBE, 12X740 .....             | E-15-25    | WASHER, PLAIN, 5MM .....       | FOP-8-2-38 |
| STAY, FUEL STRAINER .....            | E-18-1-9   | TUBE, 5X140 .....              | F-3-22     | WASHER, PLAIN, 5MM .....       | FOP-8-6-56 |
| STAY, PLATE .....                    | E-18-10-36 | TUBE, 5X270 .....              | F-3-22     | WASHER, PLAIN, 5MM .....       | FOP-8-6-57 |
| STAY, POWER TILT SWITCH .....        | F-8-20-3   | TUBE, 5X950 .....              | F-10-65    | WASHER, PLAIN, 6MM .....       | F-2-36     |
| STAY, VAPOR SEPARATOR .....          | E-18-10-38 | TUBE, 7X120 .....              | E-4-10-14  | WASHER, PLAIN, 6MM .....       | F-8-10     |
| STOPPER SET, SLEEVE .....            | E-21-8     | TUBE, 7X160 .....              | E-6-51     | WASHER, PLAIN, 6MM .....       | FOP-8-4-27 |
| STOPPER SET, SLEEVE .....            | E-21-8     | TUBE, 7X200 .....              | E-6-52     | WASHER, PLAIN, 6MM .....       | FOP-8-6-58 |
| STOPPER(TOOL) .....                  | E-9-10     | TUBE, 7X40 .....               | E-6-50     | WASHER, PLAIN, 8MM .....       | F-2-37     |
| STOPPER, TILT .....                  | F-10-25    | TUBE, 7X75 .....               | E-4-10-12  | WASHER, PLAIN, 8MM .....       | F-7-10-14  |
| STRAINER ASSY., VTC .....            | E-9-20-12  | TUBE, 7X90 .....               | E-4-10-13  | WASHER, PLAIN, 8MM .....       | F-8-10-25  |
| STRAINER COMP., FUEL .....           | E-18-1-5   | TUBE, BYPASS SOLENOID .....    | E-14-18    | WASHER, PLAIN, 8MM .....       | F-8-10-28  |
| STRAINER COMP., OIL .....            | E-6-4      | TUBE, DIAPHRAGM .....          | E-14-17    | WASHER, PLAIN, 8MM .....       | FOP-8-6-60 |
| STRAINER, FUEL .....                 | E-18-1-6   | TUBE, FUEL, 3.5X430 .....      | E-18-31    | WASHER, PROPELLER .....        | F-5-16     |
| STRAINER, FUEL PUMP .....            | E-18-8     | TUBE, FUEL, 8X300 .....        | F-9-14     | WASHER, PROPELLER .....        | F-5-1-17   |
| SUB HARNESS ASSY., POWER .....       | FOP-8-19   | TUBE, OIL .....                | E-4-10-1   | WASHER, PROPELLER THRUST ..... | F-5-14     |
| SUB HARNESS ASSY.,                   |            | TUBE, PRESSURE REGULATOR       |            | WASHER, PROPELLER THRUST ..... | F-5-1-15   |
| POWER TRIM-TILT(A) .....             | FOP-8-2-20 | CONTROL .....                  | E-14-7     | WASHER, SEALING, 28MM .....    | E-3-29     |
| SUB HARNESS ASSY.,                   |            | TUBE, SPEED SENSOR .....       | F-10-10    | WASHER, SEALING, 6MM .....     | E-18-10-50 |
| POWER TRIM-TILT(B) .....             | FOP-8-2-21 | TUBE, SPIRAL .....             | F-10-9     | WASHER, SPRING, 4MM .....      | FOP-12-9   |
| SUB HARNESS ASSY.,                   |            | TUBE, SPIRAL .....             | F-10-67    | WASHER, SPRING, 5MM .....      | FOP-6-26   |
| POWER TRIM-TILT(C) .....             | FOP-8-4-16 | TUBE, VINYL, 4X7X160 .....     | E-15-24    | WASHER, SPRING, 5MM .....      | FOP-6-1-19 |
| SUSPENSION, STRAINER .....           | E-18-9     | TUBE, WATER RELIEF .....       | E-6-14     | WASHER, THRUST .....           | E-7-10     |
| SUSPENSION, STRAINER .....           | E-18-1-10  | TUBE, WATER(L) .....           | F-4-7      | WASHER, THRUST .....           | E-9-19     |
| SWITCH ASSY., COMBINATION .....      | FOP-6-13   | TUBE, WATER(XL) .....          | F-4-7      | WASHER, THRUST BEARING .....   | F-5-15     |
| SWITCH ASSY., COMBINATION .....      | FOP-6-1-7  | <V>                            |            | WASHER, THRUST BEARING .....   | F-5-1-16   |
| SWITCH ASSY., COMBINATION .....      | FOP-8-6-38 | VALVE ASSY., AIR BYPASS .....  | E-14-16    | WASHER, THRUST, 34MM .....     | F-10-48    |
| SWITCH ASSY., COMBINATION .....      | FOP-8-7-33 | VALVE ASSY.,                   |            | WASHER, WAVE .....             | FOP-8-7-66 |
| SWITCH ASSY., EMERGENCY STOP .....   | FOP-6-14   | ELECTRONIC AIR CONTROL .....   | E-14-20    | WASHER, WAVE, 10MM .....       | F-8-10-27  |
| SWITCH ASSY., EMERGENCY STOP .....   | FOP-6-1-8  | VALVE ASSY., RELIEF .....      | E-6-17     | WASHER, WAVE, 26MM .....       | F-10-47    |
| SWITCH ASSY., EMERGENCY STOP .....   | FOP-8-6-41 | VALVE ASSY., SPOOL .....       | E-9-20-8   | WASHER, WAVE, 40MM .....       | F-10-46    |
| SWITCH ASSY., EMERGENCY STOP .....   | FOP-8-7-38 | VALVE COMP., MANUAL .....      | F-11-21    | WASHER, WAVE, 8MM .....        | F-8-10-30  |
| SWITCH ASSY., MAGNET .....           | E-21-12    | VALVE COMP., RESERVOIR .....   | F-11-22    | WHEEL, ACCELERATOR .....       | FOP-8-6-20 |
| SWITCH ASSY., MAGNET .....           | E-21-12    | VALVE SET, FLOAT .....         | E-18-10-1  | WHEEL, CONTROL .....           | FOP-8-6-13 |
| SWITCH ASSY., NEUTRAL .....          | F-2-22     | VALVE, CHECK .....             | E-18-17    | WIRE, LEAD(1.5X116MM) .....    | F-11-8     |
| SWITCH ASSY., POWER TILT .....       | F-8-20-2   | VALVE, EX. .....               | E-9-21     | WIRE, LEAD(1.5X137MM) .....    | F-3-20-4   |
| SWITCH ASSY., POWER TRIM-TILT .....  | FOP-8-20   | VALVE, FLASH .....             | E-6-18     | WRENCH, EYE, 19MM .....        | F-13-11    |
| SWITCH ASSY., POWER TRIM-TILT .....  | FOP-8-6-39 | VALVE, IN. .....               | E-9-20     | WRENCH, HEX., 6MM .....        | F-13-6     |
| SWITCH ASSY., POWER TRIM-TILT .....  | FOP-8-7-35 | VALVE, RELIEF .....            | E-5-5      | WRENCH, PLUG .....             | F-13-5     |
| SWITCH ASSY., POWER TRIM-TILT (A) .. | FOP-8-2-22 | <W>                            |            | YOKE ASSY. ....                | F-11-6     |
| SWITCH ASSY., POWER TRIM-TILT (B) .. | FOP-8-2-23 | WASHER .....                   | F-2-35     | YOKE COMP. ....                | E-21-4     |
| SWITCH ASSY., POWER TRIM-TILT (C) .. | FOP-8-4-17 | WASHER B, THRUST, 14MM .....   | F-2-33     |                                |            |
| SWITCH ASSY., TROLLING CONTROL ..... | FOP-12-1   | WASHER KIT, THRUST(150) .....  | E-7-21     |                                |            |
| <T>                                  |            | WASHER(3) .....                | FOP-8-7-61 |                                |            |
| TAB, TRIM .....                      | F-3-8      | WASHER(4) .....                | FOP-8-7-62 |                                |            |
| TACHOMETER HOUR METER .....          | FOP-2-2    | WASHER(5) .....                | FOP-8-7-63 |                                |            |
| TACHOMETER HOUR METER .....          | FOP-2-2    | WASHER(7)(LOOSE PARTS) .....   | FOP-8-7-65 |                                |            |
| TANK, OIL .....                      | F-11-25    | WASHER, 10MM .....             | F-10-49    |                                |            |
| TENSIONER ASSY., CAM CHAIN .....     | E-9-9      | WASHER, 26MM .....             | F-3-20-15  |                                |            |
| TENSIONER COMP.,                     |            | WASHER, 28MM .....             | FOP-8-6-61 |                                |            |
| BALANCER SHAFT CHAIN .....           | E-10-6     | WASHER, 6MM .....              | FOP-8-6-59 |                                |            |
| TERMINAL, CABLE .....                | FOP-8-16   | WASHER, 8MM .....              | FOP-8-7-64 |                                |            |
| TERMINAL, CABLE .....                | FOP-8-2-17 | WASHER, DRAIN PLUG, 12MM ..... | E-6-39     |                                |            |
| TERMINAL, CABLE .....                | FOP-8-4-12 | WASHER, DRAIN PLUG, 20MM ..... | E-5-24     |                                |            |
| TERMINAL, CABLE(LOOSE PARTS) .....   | FOP-8-7-25 | WASHER, DRAIN PLUG, 20MM ..... | E-9-20-26  |                                |            |
| THERMOSTAT ASSY. ....                | E-9-10-3   | WASHER, HEAD COVER .....       | E-1-7      |                                |            |
| THERMOSTAT ASSY. ....                | E-9-10-4   | WASHER, LOCK, 5MM .....        | FOP-8-30   |                                |            |
| THROTTLE BODY ASSY. ....             | E-15-2     | WASHER, LOCK, 5MM .....        | FOP-8-2-35 |                                |            |
| TIE, CABLE .....                     | FOP-11-5   | WASHER, LOCK, 5MM .....        | FOP-8-4-26 |                                |            |
| TIE, CABLE(NATURAL)(2.4X92) .....    | FOP-6-12   | WASHER, LOCK, 6MM .....        | FOP-8-32   |                                |            |
| TIE, CABLE(NATURAL)(2.4X92) .....    | FOP-8-6-37 | WASHER, LOCK, 6MM .....        | FOP-8-2-37 |                                |            |
| T-JOINT .....                        | E-6-7      | WASHER, PIVOT .....            | F-2-7      |                                |            |
| T-JOINT .....                        | E-18-15    | WASHER, PIVOT .....            | F-4-1      |                                |            |
| TRIM METER ASSY .....                | FOP-2-1    | WASHER, PLAIN .....            | E-18-10-24 |                                |            |
| TRIM METER ASSY .....                | FOP-2-1    | WASHER, PLAIN .....            | E-18-10-25 |                                |            |

# INDEX (Parts Number)

|                    |            |                    |            |                |            |                |            |
|--------------------|------------|--------------------|------------|----------------|------------|----------------|------------|
| 332-70201-0        | F-6-8      | HCO-94301-10160    | E-6-48     | HMT8-18334-770 | FOP-6-3    | HPNA-90715-000 | E-3-32     |
| 3C7-70217-0        | F-6-5      | HCO-94301-10160    | E-9-20-27  | HMT8-18334-770 | FOP-6-1-2  | HPNA-91214-014 | E-3-33     |
| 3C7-70220-1        | F-6-2      | HCO-94301-12160    | E-10-14    | HMV1-16959-000 | E-4-10-2   | HPNA-91302-003 | E-14-38    |
| 3C7-70224-1        | F-6-3      | HCO-94301-14200    | E-5-26     | HMV5-91005-601 | F-5-20     | HPNA-91302-004 | E-9-10-23  |
| 3FF-70200-4        | F-6-1      | HCO-94301-14200    | E-6-49     | HMV5-91005-601 | F-5-1-22   | HPNA-91307-003 | E-3-36     |
| 3GF-70211-1        | F-6-4      | HCO-94301-14200    | E-9-20-28  | HMZ5-16952-000 | E-18-10    | HPNA-91307-003 | E-4-16     |
| 3GF-70240-1        | F-6-7      | HCO-94305-25203    | F-10-64    | HP01-91212-003 | E-5-21     | HPNA-91307-003 | E-9-10-26  |
| 3GF-70241-1        | F-6-6      | HCO-94510-14000    | F-5-28     | HP0X-91321-003 | F-2-45     | HPNA-91333-003 | E-9-10-27  |
| 3PU-72537-0        | FOP-2-3    | HCO-94510-14000    | F-5-1-30   | HP2A-37881-000 | E-15-14    | HPNA-91333-003 | E-9-20-25  |
| 3PU-72571-0        | FOP-2-1    | HCO-94540-03029    | FOP-8-6-77 | HP5A-13115-000 | E-7-4      | HPNB-37500-003 | E-9-10-15  |
| 3PU-72637-0        | FOP-2-2    | HCO-94540-04029    | F-2-48     | HP64-31141-003 | E-19-6     | HPNB-37510-003 | E-9-20-15  |
| 3PV-72571-0        | FOP-2-1    | HCO-94540-04029    | FOP-8-6-78 | HP8A-13204-A01 | E-7-5      | HPNC-91212-004 | E-9-10-22  |
| 3PV-72637-0        | FOP-2-2    | HCO-94540-06029    | F-2-49     | HPA9-91317-003 | E-18-26    | HPP4-90009-E01 | E-18-10-45 |
| H121-51640-730     | E-14-22    | HCO-94540-06029    | F-8-10-29  | HPC6-15233-000 | E-5-7      | HPPA-13210-000 | E-7-6      |
| H341-38403-672     | FOP-6-19   | HCO-94540-06029    | FOP-8-36   | HPC6-90715-000 | E-3-31     | HPPA-13310-000 | E-7-8      |
| H341-38403-672     | FOP-6-1-12 | HCO-94540-06029    | FOP-8-2-41 | HPC6-91324-000 | E-6-46     | HPPA-14520-003 | E-9-11     |
| H341-38403-672     | FOP-8-6-45 | HCO-94540-06029    | FOP-8-4-28 | HPCX-12342-004 | E-1-3      | HPPA-14530-003 | E-9-12     |
| H341-38403-672     | FOP-8-7-41 | HCO-94540-07029    | FOP-8-6-79 | HPCX-14744-014 | E-9-22     | HPR3-91319-003 | E-3-37     |
| H460-89221-840     | F-13-6     | HCO-94540-10019    | F-4-35     | HPCX-90017-013 | E-7-15     | HPPA-11106-013 | E-3-3      |
| H538-89102-000     | F-13-1     | HCO-94540-12029    | F-2-50     | HPD1-31138-004 | E-19-5     | HPPA-90401-000 | E-3-29     |
| H538-89103-000     | F-13-2     | HCO-94540-15029    | F-11-45    | HPD1-31142-004 | E-19-7     | HPPA-15290-000 | E-3-9      |
| H723-90472-000     | F-4-22     | HCO-95001-35430-40 | E-18-31    | HPD1-31148-004 | E-19-11    | HPRB-14721-A00 | E-9-21     |
| H750-90628-000     | F-10-56    | HCO-95001-80300-40 | F-9-14     | HPD1-90231-014 | E-19-30    | HPRB-15280-A00 | E-3-8      |
| H759-16911-003     | E-18-8     | HCO-95003-07016-31 | E-15-24    | HPD6-90430-003 | E-18-10-50 | HPSA-36454-003 | E-14-19    |
| H763-75538-C01     | F-2-26     | HCO-95005-12740-20 | E-15-25    | HPE0-15231-000 | E-5-5      | HPT0-14775-000 | E-9-27     |
| H763-90681-A01     | F-10-58    | HCO-95005-50140-30 | F-3-22     | HPE0-90703-000 | E-3-30     | HPT0-31147-003 | E-19-10    |
| H800-91303-000     | E-6-44     | HCO-95005-50270-30 | F-3-22     | HPE9-31145-941 | E-19-8     | HPT0-90206-004 | E-9-33     |
| H805-91301-000     | E-3-34     | HCO-95005-50950-30 | F-10-65    | HPE9-31152-942 | E-19-13    | HPT2-91005-N01 | F-5-21     |
| H881-90105-000     | F-4-17     | HCO-95005-70040-30 | E-6-50     | HPFB-30522-007 | E-20-2     | HPT2-91005-N01 | F-5-1-23   |
| H881-90110-000     | F-10-36    | HCO-95005-70075-30 | E-4-10-12  | HPG6-15232-000 | E-5-6      | HPY3-17249-000 | E-15-3     |
| H921-15611-000     | E-3-11     | HCO-95005-70090-30 | E-4-10-13  | HPGK-37835-A01 | E-15-12    | HPY3-31215-004 | E-21-3     |
| H921-17936-000     | F-2-7      | HCO-95005-70120-30 | E-4-10-14  | HPH1-90015-013 | E-5-16     | HPY3-31218-004 | E-21-6     |
| H921-17936-000     | F-4-1      | HCO-95005-70160-30 | E-6-51     | HPH3-90011-000 | E-5-15     | HPZ1-12210-003 | E-9-20-4   |
| H921-90302-000     | F-8-20-16  | HCO-95005-70200-30 | E-6-52     | HPJ7-31111-013 | E-19-3     | HPZ1-12210-004 | E-9-20-4   |
| H921-90302-000     | FOP-6-23   | HCO-95011-62000    | F-8-20-21  | HPJ7-31114-013 | E-19-4     | HPZ1-12211-003 | E-9-20-5   |
| H921-90302-000     | FOP-6-1-16 | HCO-95701-06014-08 | E-10-15    | HPJ7-31146-003 | E-19-9     | HPZ1-12211-004 | E-9-20-5   |
| H921-90302-000     | FOP-8-6-53 | HCO-95701-06018-09 | E-6-53     | HPJ7-91309-010 | E-6-45     | HPZ1-31105-003 | E-19-2     |
| H921-90302-000     | FOP-8-7-58 | HCO-95701-06020-08 | E-9-36     | HPK1-32742-003 | F-7-30-3   | HPZ1-31149-003 | E-19-12    |
| H921-90504-010     | F-8-10     | HCO-95701-06020-08 | E-9-20-29  | HPK2-91307-005 | E-9-10-25  | HPZ1-31153-003 | E-19-14    |
| H921-90504-010     | FOP-8-6-58 | HCO-95701-06030-08 | E-9-37     | HPLC-37880-004 | E-15-13    | HR40-14401-A01 | E-9-8      |
| H921-90511-000     | F-10-50    | HCO-95701-06032-08 | E-9-20-30  | HPLC-91301-000 | E-14-37    | HR40-14633-A00 | E-9-18     |
| H921-90512-010     | FOP-8-6-59 | HCO-95701-08032-08 | E-5-27     | HPM3-90206-004 | E-9-32     | HR40-15115-A01 | E-10-8     |
| H921-90518-000     | F-2-37     | HCO-95701-08050-08 | E-10-16    | HPNA-11106-300 | E-3-2      | HRAA-13620-A02 | E-7-12     |
| H921-90518-000     | F-8-10-28  | HCO-95701-08075-08 | E-10-17    | HPNA-11135-000 | E-3-4      | HRAA-14624-A00 | E-9-16     |
| H921-90518-000     | FOP-8-6-60 | HCO-95701-08090-08 | E-9-20-31  | HPNA-12204-305 | E-9-20-2   | HRAA-14647-A00 | E-9-19     |
| H921-90602-000     | F-10-55    | HCO-95701-08110-08 | E-9-20-32  | HPNA-12205-305 | E-9-20-3   | HRAA-14765-A00 | E-9-26     |
| H952-32901-770     | FOP-6-12   | HCO-95701-10105-08 | E-10-18    | HPNA-12341-000 | E-1-2      | HRAA-15815-A02 | E-9-20-9   |
| H952-32901-770     | FOP-8-6-37 | HCO-95701-10110-09 | E-6-54     | HPNA-13111-010 | E-7-3      | HRAA-15845-A01 | E-9-20-13  |
| H958-90428-000     | F-2-33     | HCO-95801-08035-09 | F-10-66    | HPNA-13321-003 | E-7-9      | HRAD-13410-010 | E-10-2     |
| HCO-92101-04020-4J | FOP-12-7   | HCO-96211-07000    | F-5-29     | HPNA-13322-003 | E-7-9      | HRAD-13420-010 | E-10-3     |
| HCO-92101-05016-4J | FOP-8-6-68 | HCO-96211-07000    | F-5-1-31   | HPNA-13323-003 | E-7-9      | HRCM-14781-A01 | E-9-28     |
| HCO-92101-06050-4J | F-3-20     | HCO-96211-09000    | F-5-30     | HPNA-13324-003 | E-7-9      | HRNA-37260-A01 | E-3-16     |
| HCO-93500-05010-4J | FOP-8-6-69 | HCO-96211-09000    | F-5-1-32   | HPNA-13325-003 | E-7-9      | HRNA-37830-A01 | E-15-11    |
| HCO-93500-05065-4J | FOP-8-34   | HCO-96220-50080    | E-5-28     | HPNA-13326-003 | E-7-9      | HRAA-30520-007 | E-20-1     |
| HCO-93500-05065-4J | FOP-8-2-39 | HCO-96300-06025-00 | E-10-19    | HPNA-13341-003 | E-7-11     | HRTA-15400-004 | E-5-10     |
| HCO-93500-06018-4J | E-4-18     | HCO-96300-06032-00 | E-10-20    | HPNA-13342-003 | E-7-11     | HRWC-14540-A02 | E-9-13     |
| HCO-93500-06025-4J | F-8-20-20  | HCO-9807B-5615P    | E-20-4     | HPNA-13343-003 | E-7-11     | HS0A-91541-003 | E-3-38     |
| HCO-93600-06016-0A | E-5-23     | HCO-9807B-5615W    | E-20-4     | HPNA-13344-003 | E-7-11     | HS0A-91541-003 | E-9-10-35  |
| HCO-93700-05050-4J | F-3-21     | HCO-9807B-5617P    | E-20-4     | HPNA-13345-003 | E-7-11     | HS0A-91541-003 | E-7-7      |
| HCO-93901-250J0    | FOP-8-6-70 | HCO-9807B-5617W    | E-20-4     | HPNA-13346-003 | E-7-11     | HS0A-91541-003 | F-7-10-17  |
| HCO-93901-251J0    | FOP-8-6-71 | HCO-98200-41000    | F-7-20-10  | HPNA-13432-000 | E-10-4     | HS0A-90683-003 | E-18-1-15  |
| HCO-93901-252J0    | FOP-8-6-72 | HCO-98200-41500    | F-7-20-11  | HPNA-13441-004 | E-10-5     | HSB2-90620-003 | F-7-10-15  |
| HCO-93903-254G0    | E-13-9     | HCO-98200-43000    | F-7-20-12  | HPNA-13450-004 | E-10-6     | HSB2-90687-003 | E-14-35    |
| HCO-93903-262J0    | FOP-8-6-73 | HCO-99006-19000    | F-13-11    | HPNA-13460-004 | E-10-7     | HSB2-90687-003 | F-7-10-16  |
| HCO-93905-255J0    | FOP-8-6-74 | HCO-99008-02300    | F-13-12    | HPNA-13622-003 | E-7-13     | HSB6-91475-000 | FOP-8-6-65 |
| HCO-93913-142J0    | F-8-13     | HGE1-17357-670     | F-10-4     | HPNA-14114-003 | E-9-3      | HSC2-90649-003 | FOP-6-24   |
| HCO-94001-04490-05 | FOP-12-8   | HGEV-90650-003     | E-14-34    | HPNA-14115-000 | E-9-4      | HSC2-90649-003 | FOP-6-1-17 |
| HCO-94001-05490-05 | F-2-47     | HGHB-16163-610     | E-18-1     | HPNA-14210-000 | E-9-6      | HSDA-39794-004 | F-7-20-5   |
| HCO-94001-05490-05 | FOP-8-35   | HHC4-90653-900     | F-8-20-17  | HPNA-14511-003 | E-9-10     | HSE0-53740-953 | E-18-18    |
| HCO-94001-05490-05 | FOP-8-2-40 | HHN0-91305-A00     | E-4-15     | HPNA-14620-040 | E-9-14     | HSE0-91547-003 | E-18-27    |
| HCO-94001-06080-05 | E-19-31    | HKJ2-90683-003     | F-8-20-18  | HPNA-14631-000 | E-9-17     | HSF1-91595-003 | E-15-23    |
| HCO-94001-06490-05 | FOP-8-6-75 | HKM3-32161-003     | F-3-2      | HPNA-14711-000 | E-9-20     | HSH3-91599-A32 | E-18-30    |
| HCO-94001-12490-05 | F-10-63    | HKM3-32161-003     | F-7-2      | HPNA-14744-004 | E-9-23     | HSMA-32134-003 | F-7-30-2   |
| HCO-94002-05490-05 | FOP-8-6-76 | HKM3-32161-003     | F-10-7     | HPNA-14762-003 | E-9-25     | HSMA-91558-003 | E-18-29    |
| HCO-94002-06490-05 | F-8-14     | HKV7-17368-671     | E-18-12    | HPNA-14820-013 | E-9-20-7   | HSP0-91546-A01 | E-9-10-28  |
| HCO-94103-05400    | FOP-6-25   | HMB0-91359-000     | F-4-33     | HPNA-17055-004 | E-14-11    | HSP0-91546-A01 | E-13-7     |
| HCO-94103-05400    | FOP-6-1-18 | HMG9-35701-950     | F-8-10-1   | HPNA-90003-000 | E-9-29     | HSTK-91540-003 | FOP-11-6   |
| HCO-94109-20000    | E-5-24     | HMG9-35701-950     | FOP-8-6-40 | HPNA-90004-000 | E-10-9     | HSV1-91549-L01 | F-2-46     |
| HCO-94109-20000    | E-9-20-26  | HMJ0-91301-003     | E-14-36    | HPNA-90005-003 | E-9-20-17  | HSV4-91540-003 | E-4-17     |
| HCO-94111-04500    | FOP-12-9   | HMJ0-91301-003     | E-18-10-52 | HPNA-90006-003 | E-3-20     | HSV5-91531-003 | E-13-6     |
| HCO-94111-05400    | FOP-6-26   | HMM4-90105-000     | FOP-8-6-50 | HPNA-90011-003 | E-9-20-18  | HVD6-91360-003 | E-5-22     |
| HCO-94111-05400    | FOP-6-1-19 | HMM8-90501-610     | F-8-10-25  | HPNA-90031-004 | E-10-11    | HVM0-16965-771 | E-18-11    |
| HCO-94301-06100    | E-6-47     | HMM8-90502-610     | F-8-10-26  | HPNA-90032-000 | E-9-30     | HVM0-16965-771 | F-7-30-1   |
| HCO-94301-08100    | E-10-13    | HMN5-17195-000     | E-6-7      | HPNA-90042-003 | E-9-31     | HVM0-46391-003 | F-2-24     |
| HCO-94301-10120    | E-7-17     | HMR5-16966-000     | F-9-7      | HPNA-90703-300 | E-9-34     | HZB5-90626-700 | F-10-69    |
| HCO-94301-10160    | E-5-25     | HMR5-16966-000     | F-9-15     | HPNA-90704-000 | E-7-16     | HZC0-63515-700 | F-8-10-21  |

|                         |            |                           |            |                         |             |                         |            |
|-------------------------|------------|---------------------------|------------|-------------------------|-------------|-------------------------|------------|
| HZE2-16731-003. . . . . | E-18-1-1   | HZV5-56513-000. . . . .   | F-11-23    | HZW1-56539-000. . . . . | F-10-29     | HZW5-24813-U01. . . . . | FOP-8-6    |
| HZE2-90601-000. . . . . | E-6-39     | HZV5-90081-010. . . . .   | E-5-19     | HZW1-56851-703. . . . . | F-11-25     | HZW5-24813-U01. . . . . | FOP-8-2-7  |
| HZV0-90604-000. . . . . | E-18-24    | HZV5-90119-000. . . . .   | F-3-20-13  | HZW1-56860-701. . . . . | F-11-26     | HZW5-24813-U21. . . . . | FOP-8-2-8  |
| HZV0-90604-000. . . . . | E-18-1-14  | HZV5-90119-000. . . . .   | F-10-37    | HZW1-90013-000. . . . . | E-13-5      | HZW5-24814-U01. . . . . | FOP-8-7    |
| HZV0-90604-000. . . . . | F-9-12     | HZV5-90119-000. . . . .   | F-11-31    | HZW1-90013-000. . . . . | E-15-17     | HZW5-24814-U01. . . . . | FOP-8-2-9  |
| HZV1-24210-010. . . . . | F-10-5     | HZV5-90125-000. . . . .   | FOP-8-6-52 | HZW1-90014-000. . . . . | E-14-23     | HZW5-24815-U01. . . . . | FOP-8-8    |
| HZV1-87538-C23. . . . . | F-12-11    | HZV5-90127-003. . . . .   | F-10-38    | HZW1-90014-000. . . . . | E-18-20     | HZW5-24816-U01. . . . . | FOP-8-9    |
| HZV1-90127-010. . . . . | E-15-20    | HZV5-90131-000. . . . .   | E-6-37     | HZW1-90014-000. . . . . | E-18-10-46  | HZW5-24816-U01. . . . . | FOP-8-2-10 |
| HZV3-90601-030. . . . . | E-15-21    | HZV5-90302-003. . . . .   | F-2-32     | HZW1-90102-000. . . . . | F-10-31     | HZW5-24816-U01. . . . . | FOP-8-4-8  |
| HZV4-17704-010. . . . . | F-9-16     | HZV5-90304-013. . . . .   | F-10-41    | HZW1-90105-000. . . . . | F-10-33     | HZW5-24817-U01. . . . . | FOP-8-10   |
| HZV4-24221-010. . . . . | F-10-6     | HZV5-90307-003. . . . .   | F-10-45    | HZW1-90106-004. . . . . | E-21-19     | HZW5-24817-U01. . . . . | FOP-8-2-11 |
| HZV4-36182-651. . . . . | FOP-6-15   | HZV5-90501-000. . . . .   | F-10-46    | HZW1-90107-004. . . . . | E-21-20     | HZW5-24818-U01. . . . . | FOP-8-11   |
| HZV4-36182-651. . . . . | FOP-6-1-9  | HZV5-90502-000. . . . .   | F-10-47    | HZW1-90108-000. . . . . | F-10-35     | HZW5-24818-U01. . . . . | FOP-8-2-12 |
| HZV4-36182-651. . . . . | FOP-8-6-42 | HZV5-90504-000. . . . .   | F-10-48    | HZW1-90113-702. . . . . | F-11-27     | HZW5-24819-U01. . . . . | FOP-8-12   |
| HZV4-36182-651. . . . . | FOP-8-7-39 | HZV5-90552-000. . . . .   | F-10-51    | HZW1-90114-702. . . . . | F-11-28     | HZW5-24819-U01. . . . . | FOP-8-2-13 |
| HZV4-36187-652. . . . . | FOP-6-16   | HZV5-90557-000. . . . .   | FOP-8-6-61 | HZW1-90115-702. . . . . | F-11-29     | HZW5-24825-U01. . . . . | FOP-8-14   |
| HZV4-36187-652. . . . . | FOP-6-1-10 | HZV5-90559-000. . . . .   | E-6-38     | HZW1-90116-702. . . . . | F-11-30     | HZW5-24825-U01. . . . . | FOP-8-2-15 |
| HZV4-36187-652. . . . . | FOP-8-6-43 | HZV5-90559-000. . . . .   | F-10-52    | HZW1-90203-000. . . . . | F-7-10-13   | HZW5-24826-U01. . . . . | FOP-8-15   |
| HZV4-90302-000. . . . . | F-3-17     | HZV5-90559-000. . . . .   | F-10-53    | HZW1-90242-000. . . . . | F-4-20      | HZW5-24826-U01. . . . . | FOP-8-2-16 |
| HZV4-90304-000. . . . . | FOP-8-6-54 | HZV5-90563-000. . . . .   | F-5-18     | HZW1-90301-800. . . . . | F-5-13      | HZW5-24826-U01. . . . . | FOP-8-4-10 |
| HZV4-90502-000. . . . . | FOP-8-31   | HZV5-90563-000. . . . .   | F-5-1-20   | HZW1-90301-800. . . . . | F-5-1-14    | HZW5-24831-U01. . . . . | FOP-8-16   |
| HZV4-90502-000. . . . . | FOP-8-2-36 | HZV5-90563-000. . . . .   | F-10-54    | HZW1-90304-013. . . . . | F-10-42     | HZW5-24831-U01. . . . . | FOP-8-2-17 |
| HZV4-90502-000. . . . . | FOP-8-6-57 | HZV5-90651-000. . . . .   | F-10-57    | HZW1-90501-710. . . . . | F-3-20-15   | HZW5-24831-U01. . . . . | FOP-8-4-12 |
| HZV4-90512-000. . . . . | F-2-36     | HZV5-90751-000. . . . .   | FOP-8-6-62 | HZW1-90518-800. . . . . | F-4-23      | HZW5-24832-U01. . . . . | FOP-8-17   |
| HZV4-90514-000. . . . . | F-10-49    | HZV5-90756-000. . . . .   | F-3-18     | HZW1-90519-800. . . . . | F-4-23      | HZW5-24832-U01. . . . . | FOP-8-2-18 |
| HZV5-12155-000. . . . . | E-4-1      | HZV5-90756-000. . . . .   | F-3-20-18  | HZW1-90520-800. . . . . | F-4-23      | HZW5-24832-U01. . . . . | FOP-8-4-13 |
| HZV5-16881-000. . . . . | E-18-7     | HZV5-90756-000. . . . .   | F-4-25     | HZW1-90521-800. . . . . | F-4-23      | HZW5-24834-U01. . . . . | FOP-8-18   |
| HZV5-17838-000. . . . . | F-2-1      | HZV5-90772-000. . . . .   | FOP-8-6-63 | HZW1-90559-000. . . . . | F-3-20-16   | HZW5-24834-U21. . . . . | FOP-8-2-19 |
| HZV5-24811-010. . . . . | FOP-8-6-2  | HZV5-91151-000. . . . .   | FOP-8-6-64 | HZW1-90651-710. . . . . | F-3-20-17   | HZW5-31217-003. . . . . | E-21-5     |
| HZV5-24812-000. . . . . | FOP-8-6-3  | HZV5-91203-821. . . . .   | F-11-33    | HZW1-90652-702. . . . . | F-11-32     | HZW5-31631-003. . . . . | E-19-16    |
| HZV5-24813-000. . . . . | FOP-8-6-4  | HZV5-91256-003. . . . .   | F-10-60    | HZW1-90752-802. . . . . | F-4-24      | HZW5-31639-003. . . . . | E-19-19    |
| HZV5-24814-010. . . . . | FOP-8-6-5  | HZV5-91302-821. . . . .   | F-11-35    | HZW1-90752-802. . . . . | FOP-10-4    | HZW5-31644-003. . . . . | E-19-20    |
| HZV5-24815-010. . . . . | FOP-8-6-6  | HZV5-91316-821. . . . .   | F-11-36    | HZW1-90752-802. . . . . | FOP-10-1-9  | HZW5-31710-003. . . . . | E-19-21    |
| HZV5-24816-000. . . . . | FOP-8-6-7  | HZV5-91352-000. . . . .   | F-10-61    | HZW1-90758-800. . . . . | F-5-19      | HZW5-32168-003. . . . . | E-18-10-44 |
| HZV5-24817-000. . . . . | FOP-8-6-8  | HZV5-91553-010. . . . .   | E-13-8     | HZW1-90758-800. . . . . | F-5-1-21    | HZW5-35370-U02. . . . . | FOP-8-20   |
| HZV5-24818-003. . . . . | FOP-8-6-9  | HZV5-91553-010. . . . .   | E-15-22    | HZW1-91054-B31. . . . . | F-4-27      | HZW5-35370-U02. . . . . | FOP-8-2-22 |
| HZV5-24820-010. . . . . | FOP-8-6-10 | HZV5-91553-010. . . . .   | E-20-10-6  | HZW1-91101-003. . . . . | F-5-25      | HZW5-35370-U12. . . . . | FOP-8-2-23 |
| HZV5-24830-010. . . . . | FOP-8-6-11 | HZV5-91553-010. . . . .   | F-7-10-18  | HZW1-91101-003. . . . . | F-5-1-27    | HZW5-35673-003. . . . . | E-9-10-11  |
| HZV5-24836-000. . . . . | FOP-8-6-12 | HZV5-91560-000. . . . .   | F-10-62    | HZW1-91207-013. . . . . | F-11-34     | HZW5-50151-000. . . . . | F-10-12    |
| HZV5-24841-000. . . . . | FOP-8-6-13 | HZV5-91567-000. . . . .   | FOP-8-6-66 | HZW1-91352-702. . . . . | F-11-37     | HZW5-50155-000. . . . . | F-3-20-6   |
| HZV5-24845-000. . . . . | FOP-8-6-14 | HZV5-91570-000. . . . .   | FOP-8-6-67 | HZW1-91353-703. . . . . | F-11-38     | HZW5-50341-010. . . . . | F-10-21    |
| HZV5-24850-000. . . . . | FOP-8-6-15 | HZV7-90508-000. . . . .   | F-2-35     | HZW1-91354-701. . . . . | F-11-39     | HZW5-90002-013. . . . . | E-5-14     |
| HZV5-24854-000. . . . . | FOP-8-6-16 | HZV7-90951-010. . . . .   | F-10-59    | HZW1-91355-701. . . . . | F-11-40     | HZW5-90011-010. . . . . | E-19-23    |
| HZV5-24855-000. . . . . | FOP-8-6-17 | HZW1-06411-020. . . . .   | F-10-1     | HZW1-91356-800. . . . . | F-4-32      | HZW5-90018-000. . . . . | E-5-18     |
| HZV5-24860-000. . . . . | FOP-8-6-18 | HZW1-12217-010. . . . .   | E-5-1      | HZW1-91356-800. . . . . | FOP-10-5    | HZW5-90018-000. . . . . | E-9-20-21  |
| HZV5-24865-000. . . . . | FOP-8-6-19 | HZW1-15665-020. . . . .   | E-6-6      | HZW1-91356-800. . . . . | FOP-10-1-10 | HZW5-90018-000. . . . . | E-20-10-5  |
| HZV5-24875-000. . . . . | FOP-8-6-20 | HZW1-19210-B04. . . . .   | F-4-2      | HZW1-91357-701. . . . . | F-11-41     | HZW5-90018-000. . . . . | F-7-20-8   |
| HZV5-24876-000. . . . . | FOP-8-6-21 | HZW1-19210-B04. . . . .   | FOP-10-2   | HZW1-91358-701. . . . . | F-11-42     | HZW5-90021-U00. . . . . | FOP-9-2    |
| HZV5-24878-000. . . . . | FOP-8-6-22 | HZW1-19210-B04. . . . .   | FOP-10-1-2 | HZW1-91361-701. . . . . | F-11-43     | HZW5-90101-U00. . . . . | FOP-8-22   |
| HZV5-24881-000. . . . . | FOP-8-6-23 | HZW1-19223-B00. . . . .   | F-4-4      | HZW1-91554-000. . . . . | E-14-39     | HZW5-90101-U00. . . . . | FOP-8-2-25 |
| HZV5-24883-000. . . . . | FOP-8-6-24 | HZW1-19223-B00. . . . .   | FOP-10-1-4 | HZW1-91554-000. . . . . | E-18-28     | HZW5-90101-U00. . . . . | FOP-8-4-20 |
| HZV5-24884-000. . . . . | FOP-8-6-25 | HZW1-19252-000. . . . .   | E-6-12     | HZW1-91554-000. . . . . | E-18-10-53  | HZW5-90102-U00. . . . . | FOP-8-23   |
| HZV5-24885-000. . . . . | FOP-8-6-26 | HZW1-19253-B01. . . . .   | F-4-8      | HZW1-91557-701. . . . . | F-11-44     | HZW5-90102-U00. . . . . | FOP-8-2-26 |
| HZV5-24887-000. . . . . | FOP-8-6-27 | HZW1-19253-B01. . . . .   | FOP-10-1-7 | HZW2-90003-000. . . . . | E-20-10-4   | HZW5-90103-U01. . . . . | FOP-8-24   |
| HZV5-24891-000. . . . . | FOP-8-6-28 | HZW1-19286-B00. . . . .   | F-3-1      | HZW2-90301-F00. . . . . | E-14-33     | HZW5-90103-U01. . . . . | FOP-8-2-27 |
| HZV5-24892-000. . . . . | FOP-8-6-29 | HZW1-24102-B00. . . . .   | F-5-2      | HZW4-90108-000. . . . . | FOP-8-6-51  | HZW5-90104-U00. . . . . | FOP-8-25   |
| HZV5-24894-000. . . . . | FOP-8-6-30 | HZW1-24102-B00. . . . .   | F-5-1-2    | HZW4-90126-000. . . . . | E-14-30     | HZW5-90104-U00. . . . . | FOP-8-2-28 |
| HZV5-24895-000. . . . . | FOP-8-6-31 | HZW1-24103-B00. . . . .   | F-5-3      | HZW4-90151-000. . . . . | E-14-31     | HZW5-90105-U01. . . . . | FOP-8-26   |
| HZV5-24897-000. . . . . | FOP-8-6-32 | HZW1-24103-B00. . . . .   | F-5-1-3    | HZW4-90156-000. . . . . | E-3-26      | HZW5-90105-U01. . . . . | FOP-8-2-29 |
| HZV5-24898-000. . . . . | FOP-8-6-33 | HZW1-24327-000. . . . .   | F-2-11     | HZW4-90162-000. . . . . | E-3-27      | HZW5-90106-U00. . . . . | FOP-8-27   |
| HZV5-32823-003. . . . . | FOP-6-10   | HZW1-31229-004. . . . .   | E-21-8     | HZW4-90162-000. . . . . | E-9-10-21   | HZW5-90106-U00. . . . . | FOP-8-2-30 |
| HZV5-32823-003. . . . . | FOP-6-1-5  | HZW1-31247-004. . . . .   | E-21-15    | HZW4-90163-000. . . . . | E-19-28     | HZW5-90107-U00. . . . . | FOP-8-28   |
| HZV5-32823-003. . . . . | FOP-8-6-35 | HZW1-31249-004. . . . .   | E-21-16    | HZW4-90164-000. . . . . | E-21-21     | HZW5-90107-U00. . . . . | FOP-8-2-31 |
| HZV5-32823-003. . . . . | FOP-8-7-31 | HZW1-31250-004. . . . .   | E-21-17    | HZW4-90170-000. . . . . | E-4-11      | HZW5-90108-U00. . . . . | FOP-8-2-32 |
| HZV5-32823-003. . . . . | FOP-11-3   | HZW1-31261-004. . . . .   | E-21-18    | HZW4-90306-003. . . . . | F-10-44     | HZW5-90109-000. . . . . | FOP-6-22   |
| HZV5-32824-003. . . . . | FOP-6-11   | HZW1-38551-000. . . . .   | F-7-10-8   | HZW4-90401-000. . . . . | FOP-8-6-55  | HZW5-90109-000. . . . . | FOP-6-1-15 |
| HZV5-32824-003. . . . . | FOP-6-1-6  | HZW1-40107-700. . . . .   | F-8-10-3   | HZW4-90402-000. . . . . | FOP-8-6-56  | HZW5-90203-010. . . . . | E-19-29    |
| HZV5-32824-003. . . . . | FOP-8-6-36 | HZW1-40204-000. . . . .   | F-4-12     | HZW4-91301-003. . . . . | F-3-19      | HZW5-90301-U00. . . . . | FOP-8-29   |
| HZV5-32824-003. . . . . | FOP-8-7-32 | HZW1-40210-710. . . . .   | F-3-20-3   | HZW5-06241-U00. . . . . | FOP-8-2     | HZW5-90301-U00. . . . . | FOP-8-2-33 |
| HZV5-32824-003. . . . . | FOP-11-4   | HZW1-41102-B00. . . . .   | F-3-4      | HZW5-06241-U10. . . . . | FOP-8-2-2   | HZW5-90302-003. . . . . | F-3-20-14  |
| HZV5-35370-823. . . . . | FOP-8-6-39 | HZW1-41109-B00. . . . .   | F-3-9      | HZW5-06900-U00. . . . . | FOP-9-1     | HZW5-90302-003. . . . . | F-10-40    |
| HZV5-36104-821. . . . . | F-10-67    | HZW1-41116-B00. . . . .   | F-4-14     | HZW5-15113-000. . . . . | E-6-3       | HZW5-90302-U21. . . . . | FOP-8-2-34 |
| HZV5-36136-821. . . . . | F-11-7     | HZW1-50111-010ZC. . . . . | F-3-20-5   | HZW5-15331-003. . . . . | E-5-8       | HZW5-90303-000. . . . . | F-4-21     |
| HZV5-36180-033. . . . . | FOP-6-14   | HZW1-50156-010. . . . .   | F-3-20-7   | HZW5-15341-003. . . . . | E-5-9       | HZW5-90304-000. . . . . | F-10-43    |
| HZV5-36180-033. . . . . | FOP-6-1-8  | HZW1-50161-020ZC. . . . . | F-3-20-8   | HZW5-16081-010. . . . . | E-18-10-20  | HZW5-90501-U00. . . . . | FOP-8-30   |
| HZV5-36180-033. . . . . | FOP-8-6-41 | HZW1-50201-040ZC. . . . . | F-10-15    | HZW5-16086-000. . . . . | E-18-10-23  | HZW5-90501-U00. . . . . | FOP-8-2-35 |
| HZV5-36180-033. . . . . | FOP-8-7-38 | HZW1-50214-000. . . . .   | F-10-18    | HZW5-16087-000. . . . . | E-18-10-24  | HZW5-90501-U00. . . . . | FOP-8-4-26 |
| HZV5-38410-003. . . . . | FOP-6-20   | HZW1-50301-070ZC. . . . . | F-10-19    | HZW5-16708-003. . . . . | E-18-10-28  | HZW5-90502-U00. . . . . | FOP-8-32   |
| HZV5-38410-003. . . . . | FOP-6-1-13 | HZW1-50311-070ZC. . . . . | F-10-20    | HZW5-16715-023. . . . . | E-18-10-29  | HZW5-90502-U00. . . . . | FOP-8-2-37 |
| HZV5-38410-003. . . . . | FOP-8-6-46 | HZW1-50527-000. . . . .   | F-10-24    | HZW5-16733-000. . . . . | E-18-10-34  | HZW5-90503-U00. . . . . | FOP-8-33   |
| HZV5-38410-003. . . . . | FOP-8-7-42 | HZW1-50529-000. . . . .   | F-10-25    | HZW5-16735-003. . . . . | E-18-10-37  | HZW5-90503-U00. . . . . | FOP-8-2-38 |
| HZV5-40102-000. . . . . | E-13-4     | HZW1-53238-010. . . . .   | F-10-26    | HZW5-16915-000. . . . . | E-18-9      | HZW5-90509-711. . . . . | F-5-1-15   |
| HZV5-40102-000. . . . . | E-15-15    | HZW1-56110-701. . . . .   | F-11-12    | HZW5-24810-U01. . . . . | FOP-8-3     | HZW5-90509-711. . . . . | F-5-1-16   |
| HZV5-41171-000. . . . . | F-3-10     | HZW1-56113-701. . . . .   | F-11-13    | HZW5-24810-U01. . . . . | FOP-8-2-3   | HZW5-90511-U00. . . . . | FOP-9-3    |
| HZV5-41172-000. . . . . | F-3-11     | HZW1-56116-701. . . . .   | F-11-16    | HZW5-24810-U11. . . . . | FOP-8-2-4   | HZW5-90512-U00. . . . . | FOP-9-4    |
| HZV5-50214-003. . . . . | F-11-9     | HZW1-56130-702. . . . .   | F-11-20    | HZW5-24811-U01. . . . . | FOP-8-4     | HZW5-90548-710. . . . . | F-5-1-19   |
| HZV5-50522-000. . . . . | F-10-23    | HZW1-56180-701. . . . .   | F-11-22    | HZW5-24811-U01. . . . . | FOP-8-2-5   | HZW5-90549-710. . . . . | F-5-1-19   |
| HZV5-56117-821. . . . . | F-11-17    | HZW1-56516-000. . . . .   | F-10-28    | HZW5-24812-U01. . . . . | FOP-8-5     | HZW5-90550-710. . . . . | F-5-1-19   |
| HZV5-56118-820. . . . . | F-10-68    | HZW1-56532-000. . . . .   |            |                         |             |                         |            |

|                  |     |            |                  |     |            |                  |     |            |                  |     |            |
|------------------|-----|------------|------------------|-----|------------|------------------|-----|------------|------------------|-----|------------|
| HZW5-90601-030   | ... | E-18-22    | HZY3-16088-000   | ... | E-18-10-26 | HZY3-90030-000   | ... | F-7-10-11  | HZY6-15121-000   | ... | E-5-4      |
| HZW5-91056-003   | ... | F-5-24     | HZY3-16721-000   | ... | E-18-10-31 | HZY3-90030-000   | ... | F-8-10-23  | HZY6-15152-000   | ... | E-3-7      |
| HZW5-91056-003   | ... | F-5-1-26   | HZY3-16733-000   | ... | E-18-10-35 | HZY3-90035-000   | ... | E-19-26    | HZY6-15220-010   | ... | E-6-4      |
| HZW5-91201-003   | ... | E-5-20     | HZY3-16752-000   | ... | E-14-8     | HZY3-90040-000   | ... | E-9-10-19  | HZY6-15299-000   | ... | E-3-10     |
| HZW5-91202-003   | ... | E-6-43     | HZY3-16752-000   | ... | E-18-10-39 | HZY3-90042-000   | ... | E-14-25    | HZY6-15410-010ZA | ... | E-5-11     |
| HZW5-91251-003   | ... | F-2-43     | HZY3-16807-003   | ... | E-18-1-4   | HZY3-90046-000   | ... | E-6-34     | HZY6-15425-010   | ... | E-4-10-1   |
| HZW7-24810-U01   | ... | FOP-8-4-2  | HZY3-16900-003   | ... | E-18-1-5   | HZY3-90049-000   | ... | E-18-10-49 | HZY6-15655-000   | ... | E-6-5      |
| HZW7-24811-U01   | ... | FOP-8-4-3  | HZY3-16901-003   | ... | E-18-1-6   | HZY3-90054-000   | ... | E-3-24     | HZY6-15810-013ZA | ... | E-9-20-8   |
| HZW7-24812-U01   | ... | FOP-8-4-4  | HZY3-16904-003   | ... | E-18-1-7   | HZY3-90054-000   | ... | E-14-29    | HZY6-15834-000   | ... | E-9-20-11  |
| HZW7-24813-U01   | ... | FOP-8-4-5  | HZY3-16911-010   | ... | E-18-10-41 | HZY3-90055-000   | ... | E-19-27    | HZY6-15840-000ZA | ... | E-9-20-12  |
| HZW7-24814-U01   | ... | FOP-8-4-6  | HZY3-16912-003   | ... | E-18-1-8   | HZY3-90056-000   | ... | E-6-35     | HZY6-16014-003   | ... | E-18-10-3  |
| HZW7-24815-U01   | ... | FOP-8-4-7  | HZY3-16913-000   | ... | E-18-10-42 | HZY3-90056-000   | ... | E-15-19    | HZY6-16016-003   | ... | E-15-1     |
| HZW7-24817-U01   | ... | FOP-8-4-9  | HZY3-16915-010   | ... | E-18-1-10  | HZY3-90084-000   | ... | E-1-5      | HZY6-16017-043   | ... | E-18-10-4  |
| HZW7-24832-U01   | ... | FOP-8-4-14 | HZY3-16918-003   | ... | E-18-1-11  | HZY3-90084-000   | ... | E-20-3     | HZY6-16019-003   | ... | E-18-10-5  |
| HZW7-24833-U01   | ... | FOP-8-4-15 | HZY3-16919-003   | ... | E-18-1-12  | HZY3-90107-000   | ... | F-7-10-12  | HZY6-16020-023   | ... | E-18-10-6  |
| HZW7-32530-U00   | ... | FOP-8-19   | HZY3-17738-000   | ... | F-9-8      | HZY3-90109-010   | ... | F-8-8      | HZY6-16036-003   | ... | E-18-10-9  |
| HZW7-32530-U00   | ... | FOP-8-2-20 | HZY3-19270-000   | ... | F-9-9      | HZY3-90111-000   | ... | F-8-20-14  | HZY6-16089-000   | ... | E-14-1     |
| HZW7-32530-U10   | ... | FOP-8-2-21 | HZY3-19271-000   | ... | F-9-10     | HZY3-90120-000   | ... | F-3-14     | HZY6-16196-000   | ... | E-18-2     |
| HZW7-32530-U20   | ... | FOP-8-4-16 | HZY3-19272-000   | ... | F-9-11     | HZY3-90204-000   | ... | E-3-28     | HZY6-16198-000   | ... | E-18-3     |
| HZW7-35370-U02   | ... | FOP-8-4-17 | HZY3-19300-023   | ... | E-9-10-3   | HZY3-90205-000   | ... | E-14-32    | HZY6-16199-000   | ... | E-18-4     |
| HZW7-87703-U00   | ... | FOP-8-4-19 | HZY3-23173-010   | ... | E-6-24     | HZY3-90304-000   | ... | F-7-5      | HZY6-16400-013   | ... | E-15-2     |
| HZW7-90101-U01   | ... | FOP-8-4-21 | HZY3-24318-000   | ... | F-4-10     | HZY3-90405-000   | ... | F-7-10-14  | HZY6-16450-003   | ... | E-14-2     |
| HZW7-90102-U01   | ... | FOP-8-4-22 | HZY3-24618-000   | ... | F-2-15     | HZY3-90506-000   | ... | F-5-14     | HZY6-16451-000   | ... | E-14-3     |
| HZW7-90103-U01   | ... | FOP-8-4-23 | HZY3-24619-000   | ... | F-2-17     | HZY3-90506-000   | ... | F-5-1-15   | HZY6-16621-000   | ... | E-14-4     |
| HZW7-90104-U01   | ... | FOP-8-4-24 | HZY3-30280-003   | ... | F-11-1     | HZY3-90507-000   | ... | F-2-34     | HZY6-16700-013   | ... | E-18-5     |
| HZW7-90301-U01   | ... | FOP-8-4-25 | HZY3-31106-003   | ... | F-11-2     | HZY3-90507-000   | ... | F-8-11     | HZY6-16701-003   | ... | E-18-10-27 |
| HZW7-90502-U00   | ... | FOP-8-4-27 | HZY3-31116-000   | ... | E-5-13     | HZY3-90512-000   | ... | F-5-16     | HZY6-16718-013   | ... | E-18-10-30 |
| HZW9-19279-000   | ... | E-6-16     | HZY3-31207-003   | ... | E-21-2     | HZY3-90512-000   | ... | F-5-1-17   | HZY6-16723-003   | ... | E-18-10-32 |
| HZW9-19291-000   | ... | E-6-18     | HZY3-31246-003   | ... | E-21-14    | HZY3-90528-000   | ... | F-5-17     | HZY6-16730-063   | ... | E-18-10-33 |
| HZW9-19297-000   | ... | E-6-20     | HZY3-32128-000   | ... | E-15-10    | HZY3-90528-000   | ... | F-5-1-18   | HZY6-16734-003   | ... | E-18-10-36 |
| HZW9-19303-003   | ... | E-9-10-29  | HZY3-32411-003   | ... | F-7-10-3   | HZY3-90529-000   | ... | F-5-17     | HZY6-16736-003   | ... | E-18-10-38 |
| HZW9-19317-000   | ... | E-6-21     | HZY3-35470-023   | ... | F-2-22     | HZY3-90529-000   | ... | F-5-1-18   | HZY6-16740-003   | ... | E-14-5     |
| HZW9-32114-730   | ... | E-3-13     | HZY3-35645-000   | ... | F-8-20-3   | HZY3-90530-000   | ... | F-5-17     | HZY6-16744-010   | ... | E-14-6     |
| HZW9-87702-800   | ... | FOP-8-6-48 | HZY3-35673-003   | ... | E-3-15     | HZY3-90530-000   | ... | F-5-1-18   | HZY6-16748-000   | ... | E-14-7     |
| HZW9-90008-000   | ... | FOP-8-6-49 | HZY3-35673-003   | ... | E-4-7      | HZY3-90531-000   | ... | F-5-17     | HZY6-16752-000   | ... | E-14-9     |
| HZW9-90009-000   | ... | F-10-30    | HZY3-35673-003   | ... | E-9-10-12  | HZY3-90531-000   | ... | F-5-1-18   | HZY6-16755-003   | ... | E-18-6     |
| HZW9-90011-000   | ... | E-3-21     | HZY3-36122-013   | ... | F-11-4     | HZY3-90601-030   | ... | E-4-10-8   | HZY6-16800-003   | ... | E-18-1-2   |
| HZW9-90011-000   | ... | E-9-10-14  | HZY3-36123-013   | ... | F-11-5     | HZY3-90601-030   | ... | E-6-40     | HZY6-16805-003   | ... | E-18-1-3   |
| HZW9-90011-000   | ... | F-7-10-9   | HZY3-36163-003   | ... | E-14-16    | HZY3-90602-020   | ... | E-4-10-9   | HZY6-16840-A00   | ... | E-18-10-40 |
| HZW9-90013-000   | ... | F-7-4      | HZY3-40119-003   | ... | F-8-10-4   | HZY3-90653-003   | ... | F-7-6      | HZY6-16850-A01   | ... | F-9-1      |
| HZW9-90013-000   | ... | F-7-10-10  | HZY3-40219-013   | ... | F-11-8     | HZY3-90751-000   | ... | F-2-38     | HZY6-16860-A00   | ... | F-9-2      |
| HZW9-90013-000   | ... | F-7-20-7   | HZY3-50381-000   | ... | F-10-22    | HZY3-91001-003   | ... | E-6-42     | HZY6-16871-A00   | ... | F-9-3      |
| HZW9-90016-000   | ... | E-3-22     | HZY3-50388-U00   | ... | FOP-7-1    | HZY3-91152-003   | ... | F-2-42     | HZY6-16881-A00   | ... | F-9-4      |
| HZW9-90016-000   | ... | E-5-17     | HZY3-50388-U10   | ... | FOP-7-2    | HZY3-91254-003   | ... | F-4-30     | HZY6-16890-A00   | ... | F-9-5      |
| HZW9-90016-000   | ... | E-6-27     | HZY3-56170-013   | ... | F-11-21    | HZY3-91255-003   | ... | F-2-44     | HZY6-16914-010   | ... | E-18-1-9   |
| HZW9-90016-000   | ... | E-18-21    | HZY3-58130-T00   | ... | F-5-11     | HZY3-91303-000   | ... | E-21-22    | HZY6-17051-000ZA | ... | E-14-10    |
| HZW9-90016-000   | ... | E-18-10-47 | HZY3-58130-T10   | ... | F-5-11     | HZY3-91351-003   | ... | F-5-27     | HZY6-17105-000   | ... | E-14-12    |
| HZW9-90101-003   | ... | F-3-12     | HZY3-58130-T20   | ... | F-5-11     | HZY3-91351-003   | ... | F-5-1-29   | HZY6-17109-000   | ... | E-14-13    |
| HZW9-90102-000   | ... | E-6-36     | HZY3-58130-T30   | ... | F-5-11     | HZY3-91556-000   | ... | F-8-12     | HZY6-17110-003   | ... | E-14-14    |
| HZW9-90102-000   | ... | F-2-30     | HZY3-58130-T40   | ... | F-5-11     | HZY6-04104-010   | ... | E-9-10-30  | HZY6-17371-020   | ... | E-15-5     |
| HZW9-90103-010   | ... | F-3-20-10  | HZY3-58130-T50   | ... | F-5-11     | HZY6-04105-000   | ... | E-7-21     | HZY6-17374-000   | ... | E-15-6     |
| HZW9-90105-000   | ... | E-6-28     | HZY3-58130-V01ZA | ... | F-5-11     | HZY6-06122-010ZA | ... | E-9-20-1   | HZY6-17397-013   | ... | E-15-7     |
| HZW9-90105-000   | ... | F-2-31     | HZY3-58130-V11ZA | ... | F-5-11     | HZY6-06191-000   | ... | E-9-10-5   | HZY6-17398-000   | ... | E-15-8     |
| HZW9-90105-000   | ... | F-4-18     | HZY3-58130-V21ZA | ... | F-5-11     | HZY6-06192-000   | ... | FOP-10-1   | HZY6-17431-000   | ... | E-13-1     |
| HZW9-90105-000   | ... | F-10-34    | HZY3-58130-V31ZA | ... | F-5-11     | HZY6-06193-A01   | ... | FOP-10-1-1 | HZY6-17432-000   | ... | E-13-2     |
| HZW9-90506-000   | ... | F-8-10-27  | HZY3-58130-V41ZA | ... | F-5-11     | HZY6-06411-000   | ... | F-10-2     | HZY6-17723-020   | ... | E-18-13    |
| HZX1-63100-R00ZA | ... | F-8-1      | HZY3-58130-V51ZA | ... | F-5-11     | HZY6-06532-U00   | ... | F-10-3     | HZY6-17840-000   | ... | F-2-2      |
| HZX1-63100-R00ZA | ... | F-8-1      | HZY3-58180-T00   | ... | F-5-1-12   | HZY6-11100-405   | ... | E-3-1      | HZY6-17845-000   | ... | F-2-3      |
| HZX1-63100-R01ZA | ... | F-8-1      | HZY3-58180-T10   | ... | F-5-1-12   | HZY6-11321-010ZB | ... | E-6-1      | HZY6-17860-000   | ... | F-2-4      |
| HZX1-63100-R01ZA | ... | F-8-1      | HZY3-58180-T20   | ... | F-5-1-12   | HZY6-11381-010   | ... | E-6-2      | HZY6-17877-010   | ... | F-2-5      |
| HZX1-87132-R00   | ... | F-12-14    | HZY3-58180-T30   | ... | F-5-1-12   | HZY6-11410-425ZA | ... | E-9-10-1   | HZY6-17931-000   | ... | F-2-6      |
| HZX1-87133-R00   | ... | F-12-15    | HZY3-58180-T40   | ... | F-5-1-12   | HZY6-11412-000   | ... | E-9-10-2   | HZY6-18110-415ZA | ... | E-4-2      |
| HZX1-90101-R00   | ... | F-8-7      | HZY3-63107-000   | ... | F-8-3      | HZY6-11911-000   | ... | E-3-5      | HZY6-18112-030ZA | ... | E-4-3      |
| HZX1-90133-R00   | ... | F-8-9      | HZY3-63108-000   | ... | F-8-4      | HZY6-11912-000   | ... | E-19-1     | HZY6-18115-003   | ... | E-4-4      |
| HZX2-41102-E00ZC | ... | F-3-5      | HZY3-63119-000   | ... | F-8-5      | HZY6-12000-415ZA | ... | E-3-6      | HZY6-18130-000ZA | ... | E-6-8      |
| HZX2-41107-C00ZC | ... | F-3-8      | HZY3-63201-000ZC | ... | F-8-10-10  | HZY6-12251-003   | ... | E-9-20-6   | HZY6-18135-003   | ... | E-6-9      |
| HZX2-90129-000   | ... | F-10-39    | HZY3-63205-000   | ... | F-2-25     | HZY6-12310-010ZA | ... | E-1-1      | HZY6-18211-000   | ... | E-6-10     |
| HZX2-90502-003   | ... | F-8-10-30  | HZY3-63205-000   | ... | F-8-10-11  | HZY6-12500-000   | ... | E-1-4      | HZY6-18212-000   | ... | E-6-11     |
| HZY1-90205-000   | ... | F-3-16     | HZY3-63208-000   | ... | F-8-10-13  | HZY6-13010-000   | ... | E-7-1      | HZY6-19221-A00   | ... | F-4-3      |
| HZY1-90650-003   | ... | FOP-11-5   | HZY3-63212-000   | ... | F-8-10-14  | HZY6-13101-000   | ... | E-7-2      | HZY6-19221-A00   | ... | FOP-10-1-3 |
| HZY3-13391-000   | ... | E-7-18     | HZY3-63224-000   | ... | F-8-10-17  | HZY6-13102-000   | ... | E-7-2      | HZY6-19231-000   | ... | F-4-5      |
| HZY3-13398-003   | ... | E-7-20     | HZY3-63260-000   | ... | F-8-10-20  | HZY6-13211-004   | ... | E-7-7      | HZY6-19231-000   | ... | FOP-10-1-5 |
| HZY3-16011-000   | ... | E-18-10-1  | HZY3-90016-000   | ... | E-9-10-15  | HZY6-13212-004   | ... | E-7-7      | HZY6-19234-000   | ... | F-4-6      |
| HZY3-16013-000   | ... | E-18-10-2  | HZY3-90017-000   | ... | E-9-10-16  | HZY6-13213-004   | ... | E-7-7      | HZY6-19234-000   | ... | FOP-10-3   |
| HZY3-16024-000   | ... | E-18-10-7  | HZY3-90017-000   | ... | E-9-20-20  | HZY6-13214-004   | ... | E-7-7      | HZY6-19234-000   | ... | FOP-10-1-6 |
| HZY3-16026-000   | ... | E-18-10-8  | HZY3-90017-000   | ... | E-18-10-48 | HZY6-13215-004   | ... | E-7-7      | HZY6-19251-000   | ... | F-4-7      |
| HZY3-16041-000   | ... | E-18-10-10 | HZY3-90017-000   | ... | E-19-24    | HZY6-13216-004   | ... | E-7-7      | HZY6-19251-611   | ... | F-4-7      |
| HZY3-16042-000   | ... | E-18-10-11 | HZY3-90017-000   | ... | F-2-27     | HZY6-13217-004   | ... | E-7-7      | HZY6-19254-000   | ... | E-6-13     |
| HZY3-16061-000   | ... | E-18-10-12 | HZY3-90021-000   | ... | E-4-9      | HZY6-13331-023   | ... | E-7-10     | HZY6-19256-000   | ... | E-6-14     |
| HZY3-16072-000   | ... | E-18-10-13 | HZY3-90021-000   | ... | E-9-10-17  | HZY6-13392-000   | ... | E-7-19     | HZY6-19260-020   | ... | E-4-10-3   |
| HZY3-16073-000   | ... | E-18-10-14 | HZY3-90021-000   | ... | E-9-20-22  | HZY6-13400-000   | ... | E-10-1     | HZY6-19261-010   | ... | E-4-10-4   |
| HZY3-16074-000   | ... | E-18-10-15 | HZY3-90021-000   | ... | E-14-24    | HZY6-13811-000   | ... | E-7-14     | HZY6-19262-010   | ... | E-4-10-5   |
| HZY3-16075-000   | ... | E-18-10-16 | HZY3-90021-000   | ... | E-18-1-13  | HZY6-14110-000   | ... | E-9-2      | HZY6-19263-000   | ... | E-4-10-6   |
| HZY3-16076-000   | ... | E-18-10-17 | HZY3-90021-000   | ... | F-2-28     | HZY6-14120-000   | ... | E-9-5      | HZY6-19266-000   | ... | E-4-10-7   |
| HZY3-16077-000   | ... | E-18-10-18 | HZY3-90026-000   | ... | E-3-23     | HZY6-14311-000   | ... | E-9-7      | HZY6-19267-010   | ... | E-18-14    |
| HZY3-16078-000   | ... | E-18-10-19 | HZY3-90026-000   | ... | E-19-25    | HZY6-14510-003   | ... | E-9-9      | HZY6-19268-000   | ... | E-4-5      |
| HZY3-16082-000   | ... | E-18-10-21 | HZY3-90028-000   | ... | F-2-29     | HZY6-14751-003   | ... | E-9-24     | HZY6-19269-000   | ... | E-18-15    |
| HZY3-16083-000   | ... | E-18-10-22 | HZY3-90030-000   | ... | E-4-10     | HZY6-15100-000ZA | ... | E-5-2      | HZY6-19273-000   | ... | E-18-16    |
| HZY3-16087-000   | ... | E-18-10-25 | HZY3-90030-000   | ... | E-6-32     | HZY6-15112-000   | ... | E-5-3      | HZY6-19289-000   | ... | F-8-20-1   |

|                           |            |                           |           |                         |             |                         |            |
|---------------------------|------------|---------------------------|-----------|-------------------------|-------------|-------------------------|------------|
| HZY6-19290-003. . . . .   | E-6-17     | HZY6-38550-003. . . . .   | F-7-10-7  | HZY6-90104-000. . . . . | F-5-12      | HZZ3-91252-003. . . . . | F-5-1-28   |
| HZY6-19295-000. . . . .   | E-6-19     | HZY6-38552-000. . . . .   | E-3-17    | HZY6-90104-000. . . . . | F-5-1-13    | HZZ3-91253-003. . . . . | F-4-29     |
| HZY6-19300-003. . . . .   | E-9-10-4   | HZY6-39794-003. . . . .   | F-7-20-6  | HZY6-90105-000. . . . . | F-3-20-11   | HZZ5-06325-600. . . . . | FOP-6-2    |
| HZY6-19315-010. . . . .   | E-9-10-16  | HZY6-40105-020. . . . .   | F-8-10-2  | HZY6-90105-000. . . . . | F-8-10-24   | HZZ5-06325-700. . . . . | FOP-6-2    |
| HZY6-19318-010. . . . .   | E-9-10-7   | HZY6-40114-010. . . . .   | F-8-20-4  | HZY6-90116-000. . . . . | F-4-19      | HZZ5-06325-800. . . . . | FOP-6-2    |
| HZY6-23170-000ZA. . . . . | E-6-22     | HZY6-40116-000. . . . .   | F-8-20-5  | HZY6-90116-000. . . . . | FOP-10-1-8  | HZZ5-24810-D01. . . . . | FOP-8-7-2  |
| HZY6-23172-000. . . . .   | E-6-23     | HZY6-40151-010ZD. . . . . | F-8-20-6  | HZY6-90118-000. . . . . | F-3-20-12   | HZZ5-24811-D01. . . . . | FOP-8-7-3  |
| HZY6-24101-000. . . . .   | F-5-1      | HZY6-40152-300. . . . .   | F-8-20-7  | HZY6-90123-000. . . . . | F-3-15      | HZZ5-24812-D01. . . . . | FOP-8-7-4  |
| HZY6-24101-000. . . . .   | F-5-1-1    | HZY6-40154-000ZC. . . . . | F-8-10-5  | HZY6-90135-004. . . . . | F-7-20-9    | HZZ5-24813-D01. . . . . | FOP-8-7-5  |
| HZY6-24122-000. . . . .   | F-5-4      | HZY6-40155-000. . . . .   | F-8-10-6  | HZY6-90201-000. . . . . | E-1-6       | HZZ5-24814-D01. . . . . | FOP-8-7-6  |
| HZY6-24122-000. . . . .   | F-5-1-4    | HZY6-40157-000. . . . .   | F-8-10-7  | HZY6-90301-000. . . . . | F-8-20-15   | HZZ5-24815-D01. . . . . | FOP-8-7-7  |
| HZY6-24123-000. . . . .   | F-5-5      | HZY6-40201-000ZC. . . . . | F-3-20-2  | HZY6-90401-000. . . . . | E-1-7       | HZZ5-24816-D01. . . . . | FOP-8-7-8  |
| HZY6-24123-000. . . . .   | F-5-1-5    | HZY6-40201-611ZC. . . . . | F-3-20-2  | HZY6-90601-000. . . . . | E-18-23     | HZZ5-24817-D01. . . . . | FOP-8-7-9  |
| HZY6-24124-000. . . . .   | F-5-6      | HZY6-40212-020ZC. . . . . | F-8-20-8  | HZY6-90602-020. . . . . | E-4-10-10   | HZZ5-24818-D01. . . . . | FOP-8-7-10 |
| HZY6-24124-000. . . . .   | F-5-1-6    | HZY6-40219-023. . . . .   | F-3-20-4  | HZY6-90603-003. . . . . | E-4-10-11   | HZZ5-24819-D01. . . . . | FOP-8-7-11 |
| HZY6-24166-000. . . . .   | F-2-8      | HZY6-41100-040ZC. . . . . | F-3-10-1  | HZY6-90604-003. . . . . | E-4-12      | HZZ5-24821-D01. . . . . | FOP-8-7-12 |
| HZY6-24218-000. . . . .   | F-2-9      | HZY6-41100-050ZC. . . . . | F-3-10-1  | HZY6-90605-003. . . . . | E-18-25     | HZZ5-24822-D01. . . . . | FOP-8-7-13 |
| HZY6-24310-000. . . . .   | F-4-9      | HZY6-41100-614ZC. . . . . | F-3-10-1  | HZY6-90606-003. . . . . | E-6-41      | HZZ5-24823-D01. . . . . | FOP-8-7-14 |
| HZY6-24310-710. . . . .   | F-4-9      | HZY6-41100-615ZC. . . . . | F-3-10-1  | HZY6-90607-000. . . . . | E-18-10-51  | HZZ5-24824-D01. . . . . | FOP-8-7-15 |
| HZY6-24320-000. . . . .   | F-2-10     | HZY6-41100-714ZC. . . . . | F-3-10-1  | HZY6-90651-000. . . . . | F-9-13      | HZZ5-24826-D01. . . . . | FOP-8-7-16 |
| HZY6-24320-610. . . . .   | F-2-10     | HZY6-41100-715ZC. . . . . | F-3-10-1  | HZY6-90701-000. . . . . | E-10-12     | HZZ5-24827-D01. . . . . | FOP-8-7-17 |
| HZY6-24343-000. . . . .   | F-4-11     | HZY6-41101-020ZC. . . . . | F-3-3     | HZY6-90752-000. . . . . | F-2-39      | HZZ5-24828-D01. . . . . | FOP-8-7-18 |
| HZY6-24343-000. . . . .   | F-4-11     | HZY6-41104-010. . . . .   | F-3-6     | HZY6-90753-000. . . . . | F-2-40      | HZZ5-24828-D01. . . . . | FOP-8-7-18 |
| HZY6-24343-000. . . . .   | F-4-11     | HZY6-41105-010. . . . .   | F-3-7     | HZY6-90755-003. . . . . | F-2-41      | HZZ5-24829-D01. . . . . | FOP-8-7-19 |
| HZY6-24343-010. . . . .   | F-4-11     | HZY6-41112-010. . . . .   | F-4-13    | HZY6-91051-003. . . . . | F-5-22      | HZZ5-24831-D01. . . . . | FOP-8-7-20 |
| HZY6-24343-010. . . . .   | F-4-11     | HZY6-41112-611. . . . .   | F-4-13    | HZY6-91051-003. . . . . | F-5-1-24    | HZZ5-24832-D01. . . . . | FOP-8-7-21 |
| HZY6-24343-010. . . . .   | F-4-11     | HZY6-41131-000. . . . .   | F-4-16    | HZY6-91052-003. . . . . | F-4-26      | HZZ5-24833-D01. . . . . | FOP-8-7-22 |
| HZY6-24610-000. . . . .   | F-2-12     | HZY6-41140-000. . . . .   | F-5-7     | HZY6-91055-004. . . . . | F-5-23      | HZZ5-24845-D01. . . . . | FOP-8-7-23 |
| HZY6-24612-020. . . . .   | F-2-13     | HZY6-41141-710. . . . .   | F-5-1-7   | HZY6-91055-004. . . . . | F-5-1-25    | HZZ5-24850-D01. . . . . | FOP-8-7-24 |
| HZY6-24614-000. . . . .   | F-2-14     | HZY6-41150-710. . . . .   | F-5-1-8   | HZY6-91055-004. . . . . | F-4-28      | HZZ5-24855-D01. . . . . | FOP-8-7-25 |
| HZY6-24618-000. . . . .   | F-2-16     | HZY6-41151-000. . . . .   | F-5-8     | HZY6-91301-003. . . . . | E-4-13      | HZZ5-24875-D01. . . . . | FOP-8-7-26 |
| HZY6-24620-000. . . . .   | F-2-18     | HZY6-41161-000. . . . .   | F-5-9     | HZY6-91302-003. . . . . | E-4-14      | HZZ5-24876-D01. . . . . | FOP-8-7-27 |
| HZY6-24628-000. . . . .   | F-2-19     | HZY6-41161-710. . . . .   | F-5-1-9   | HZY6-91303-003. . . . . | E-9-20-24   | HZZ5-24878-D01. . . . . | FOP-8-7-28 |
| HZY6-24629-000ZA. . . . . | F-2-20     | HZY6-41173-000. . . . .   | F-10-10   | HZY6-91304-010. . . . . | E-9-20-14   | HZZ5-24883-D01. . . . . | FOP-8-7-29 |
| HZY6-30410-000. . . . .   | E-20-10-1  | HZY6-41201-000ZC. . . . . | F-5-10    | HZY6-91305-003. . . . . | E-3-35      | HZZ5-32185-600. . . . . | FOP-6-4    |
| HZY6-30530-003. . . . .   | E-3-12     | HZY6-41201-710ZC. . . . . | F-5-1-10  | HZY6-91351-003. . . . . | F-4-31      | HZZ5-32185-700. . . . . | FOP-6-4    |
| HZY6-31110-000ZA. . . . . | E-5-12     | HZY6-41202-710. . . . .   | F-5-1-11  | HZY6-91502-003. . . . . | E-9-35      | HZZ5-32185-800. . . . . | FOP-6-4    |
| HZY6-31200-003. . . . .   | E-21-1     | HZY6-50100-000. . . . .   | F-10-11   | HZY6-91552-000. . . . . | F-4-34      | HZZ5-32530-000. . . . . | FOP-8-6-34 |
| HZY6-31216-003. . . . .   | E-21-4     | HZY6-50167-000. . . . .   | F-10-13   | HZY6-91552-000. . . . . | FOP-10-1-11 | HZZ5-32530-D01. . . . . | FOP-8-7-30 |
| HZY6-31226-003. . . . .   | E-21-7     | HZY6-50168-003. . . . .   | F-10-14   | HZY6-91553-000. . . . . | F-8-20-19   | HZZ5-32545-000. . . . . | FOP-8-6-8  |
| HZY6-31227-003. . . . .   | E-21-7     | HZY6-50209-000. . . . .   | F-10-16   | HZY9-17315-000. . . . . | E-15-4      | HZZ5-32545-000. . . . . | FOP-6-1-4  |
| HZY6-31231-003. . . . .   | E-21-9     | HZY6-56000-043. . . . .   | F-11-10   | HZY9-30419-003. . . . . | E-20-10-2   | HZZ5-32580-600. . . . . | FOP-6-9    |
| HZY6-31232-003. . . . .   | E-21-9     | HZY6-56100-013. . . . .   | F-11-11   | HZY9-31207-H01. . . . . | E-21-2      | HZZ5-32580-700. . . . . | FOP-6-9    |
| HZY6-31235-003. . . . .   | E-21-10    | HZY6-56118-000. . . . .   | F-10-27   | HZY9-31226-H01. . . . . | E-21-19     | HZZ5-32580-800. . . . . | FOP-6-9    |
| HZY6-31236-003. . . . .   | E-21-11    | HZY6-60180-003. . . . .   | F-8-10-8  | HZY9-31229-H01. . . . . | E-21-8      | HZZ5-32580-D01. . . . . | FOP-6-9    |
| HZY6-31240-003. . . . .   | E-21-12    | HZY6-60185-003. . . . .   | F-8-10-9  | HZY9-31240-003. . . . . | E-21-12     | HZZ5-32580-D11. . . . . | FOP-6-9    |
| HZY6-31242-003. . . . .   | E-21-13    | HZY6-63102-010. . . . .   | F-8-2     | HZY9-31242-H01. . . . . | E-21-13     | HZZ5-32580-D21. . . . . | FOP-6-9    |
| HZY6-31630-003. . . . .   | E-19-15    | HZY6-63144-000. . . . .   | F-8-6     | HZY9-31246-H01. . . . . | E-21-14     | HZZ5-35370-DO2. . . . . | FOP-8-7-44 |
| HZY6-31630-013. . . . .   | E-19-15    | HZY6-63205-000. . . . .   | F-8-10-12 | HZY9-31251-H01. . . . . | E-21-23     | HZZ5-35701-D01. . . . . | FOP-8-7-37 |
| HZY6-31636-010. . . . .   | E-19-17    | HZY6-63212-000. . . . .   | F-8-10-15 | HZY9-56115-003. . . . . | F-11-14     | HZZ5-37210-013. . . . . | FOP-8-6-44 |
| HZY6-31637-000. . . . .   | E-19-18    | HZY6-63223-000. . . . .   | F-8-10-16 | HZY9-56120-003. . . . . | F-11-18     | HZZ5-37210-712. . . . . | FOP-6-1-11 |
| HZY6-31638-003. . . . .   | E-13-3     | HZY6-63225-000. . . . .   | F-8-10-18 | HZY9-90017-000. . . . . | E-15-18     | HZZ5-37210-762. . . . . | FOP-6-18   |
| HZY6-31750-003. . . . .   | E-19-22    | HZY6-63240-000. . . . .   | F-8-10-19 | HZY9-90652-003. . . . . | E-9-10-34   | HZZ5-37210-D01. . . . . | FOP-8-7-40 |
| HZY6-32100-070. . . . .   | F-7-1      | HZY6-63240-000. . . . .   | F-8-10-19 | HZZ3-06240-R30. . . . . | FOP-8-1     | HZZ5-38414-003. . . . . | FOP-6-21   |
| HZY6-32101-000. . . . .   | F-7-10-1   | HZY6-63240-010. . . . .   | F-8-10-19 | HZZ3-06240-R40. . . . . | FOP-8-4-1   | HZZ5-38414-003. . . . . | FOP-6-1-14 |
| HZY6-32105-305. . . . .   | E-9-10-31  | HZY6-63240-010. . . . .   | F-8-10-19 | HZZ3-06240-R60. . . . . | FOP-8-2-1   | HZZ5-50211-000. . . . . | F-10-17    |
| HZY6-32106-305. . . . .   | E-9-10-32  | HZY6-63711-010ZC. . . . . | F-8-20-9  | HZZ3-06323-R20. . . . . | FOP-6-1     | HZZ5-87701-D00. . . . . | FOP-8-7-43 |
| HZY6-32107-305. . . . .   | E-9-10-33  | HZY6-63716-010ZC. . . . . | F-8-20-10 | HZZ3-06323-R30. . . . . | FOP-6-1-1   | HZZ5-87702-A00. . . . . | FOP-8-7-44 |
| HZY6-32111-000. . . . .   | E-14-15    | HZY6-63718-000. . . . .   | F-8-20-11 | HZZ3-06328-762. . . . . | FOP-11-1    | HZZ5-87702-A00. . . . . | FOP-8-7-45 |
| HZY6-32112-000. . . . .   | E-9-10-9   | HZY6-63719-000. . . . .   | F-8-20-12 | HZZ3-19277-000. . . . . | E-6-15      | HZZ5-87703-P00. . . . . | FOP-8-7-47 |
| HZY6-32113-000. . . . .   | E-9-10-10  | HZY6-82873-000. . . . .   | F-8-20-13 | HZZ3-24800-P12. . . . . | FOP-8-7-1   | HZZ5-87704-D01. . . . . | FOP-8-7-48 |
| HZY6-32114-010. . . . .   | E-3-14     | HZY6-87117-640. . . . .   | F-12-1    | HZZ3-24800-R00. . . . . | FOP-8-6-1   | HZZ5-90101-D01. . . . . | FOP-8-7-49 |
| HZY6-32115-000. . . . .   | E-15-9     | HZY6-87121-R00. . . . .   | F-12-13   | HZZ3-24820-R11. . . . . | FOP-8-13    | HZZ5-90102-D01. . . . . | FOP-8-7-50 |
| HZY6-32116-000. . . . .   | E-9-20-14  | HZY6-87531-000. . . . .   | F-12-10   | HZZ3-24820-R21. . . . . | FOP-8-2-14  | HZZ5-90103-D01. . . . . | FOP-8-7-51 |
| HZY6-32166-003. . . . .   | E-18-10-43 | HZY6-89216-000. . . . .   | F-13-5    | HZZ3-24830-R41. . . . . | FOP-8-4-11  | HZZ5-90104-D01. . . . . | FOP-8-7-52 |
| HZY6-32370-004. . . . .   | F-7-20-1   | HZY6-90001-000. . . . .   | E-3-18    | HZZ3-32186-000. . . . . | FOP-11-2    | HZZ5-90106-D01. . . . . | FOP-8-7-53 |
| HZY6-32371-004. . . . .   | F-7-20-2   | HZY6-90001-000. . . . .   | F-8-10-22 | HZZ3-32341-R31. . . . . | FOP-6-5     | HZZ5-90107-D01. . . . . | FOP-8-7-54 |
| HZY6-32410-020. . . . .   | F-7-10-2   | HZY6-90002-000. . . . .   | E-6-25    | HZZ3-32346-R21. . . . . | FOP-6-6     | HZZ5-90108-D01. . . . . | FOP-8-7-55 |
| HZY6-32414-300. . . . .   | F-7-3      | HZY6-90002-000. . . . .   | F-3-20-9  | HZZ3-32346-R31. . . . . | FOP-6-1-3   | HZZ5-90109-D01. . . . . | FOP-8-7-56 |
| HZY6-32414-300. . . . .   | F-7-10-4   | HZY6-90005-000. . . . .   | E-3-19    | HZZ3-32347-R01. . . . . | FOP-6-7     | HZZ5-90301-D01. . . . . | FOP-8-7-57 |
| HZY6-32414-640. . . . .   | F-7-10-5   | HZY6-90006-000. . . . .   | E-15-16   | HZZ3-35100-R11. . . . . | FOP-6-13    | HZZ5-90302-D01. . . . . | FOP-8-7-59 |
| HZY6-32418-000. . . . .   | F-2-21     | HZY6-90010-000. . . . .   | E-18-19   | HZZ3-35100-R11. . . . . | FOP-6-1-7   | HZZ5-90501-D01. . . . . | FOP-8-7-60 |
| HZY6-32419-000. . . . .   | F-7-10-6   | HZY6-90011-000. . . . .   | E-9-20-19 | HZZ3-35100-R11. . . . . | FOP-8-6-38  | HZZ5-90502-D01. . . . . | FOP-8-7-61 |
| HZY6-34750-053. . . . .   | E-20-10-3  | HZY6-90013-000. . . . .   | E-4-8     | HZZ3-35100-R11. . . . . | FOP-8-7-33  | HZZ5-90503-D01. . . . . | FOP-8-7-62 |
| HZY6-35475-000. . . . .   | F-2-23     | HZY6-90014-000. . . . .   | E-6-26    | HZZ3-35340-741. . . . . | FOP-12-1    | HZZ5-90504-D01. . . . . | FOP-8-7-63 |
| HZY6-35640-003. . . . .   | F-8-20-2   | HZY6-90017-000. . . . .   | E-6-29    | HZZ3-35341-740. . . . . | FOP-12-2    | HZZ5-90506-D01. . . . . | FOP-8-7-64 |
| HZY6-35660-013. . . . .   | F-10-8     | HZY6-90018-000. . . . .   | E-6-30    | HZZ3-35342-740. . . . . | FOP-12-3    | HZZ5-90507-D01. . . . . | FOP-8-7-65 |
| HZY6-35668-003. . . . .   | E-4-6      | HZY6-90019-000. . . . .   | E-6-31    | HZZ3-35343-740. . . . . | FOP-12-4    | HZZ5-90508-D01. . . . . | FOP-8-7-66 |
| HZY6-36104-003. . . . .   | F-10-9     | HZY6-90020-000. . . . .   | E-10-10   | HZZ3-35344-740. . . . . | FOP-12-5    | HZZ5-90509-D01. . . . . | FOP-8-7-67 |
| HZY6-36120-013. . . . .   | F-11-3     | HZY6-90023-000. . . . .   | E-9-10-18 | HZZ3-35345-741. . . . . | FOP-12-6    | HZZ5-90651-D01. . . . . | FOP-8-7-68 |
| HZY6-36129-013. . . . .   | F-11-6     | HZY6-90043-000. . . . .   | E-14-26   | HZZ3-35645-A41. . . . . | FOP-8-7-36  | HZZ5-91151-D01. . . . . | FOP-8-7-69 |
| HZY6-36135-003. . . . .   | E-18-17    | HZY6-90045-000. . . . .   | E-6-33    | HZZ3-37205-R01. . . . . | FOP-6-17    | HZZ5-91152-D01. . . . . | FOP-8-7-70 |
| HZY6-36364-000. . . . .   | E-14-17    | HZY6-90047-000. . . . .   | E-14-27   | HZZ3-41117-000. . . . . | F-4-15      | HZZ5-91153-D01. . . . . | FOP-8-7-71 |
| HZY6-36366-000. . . . .   | E-14-18    | HZY6-90048-010. . . . .   | E-9-20-23 | HZZ3-87301-R00. . . . . | F-12-16     | HZZ5-91154-D01. . . . . | FOP-8-7-72 |
| HZY6-36550-003. . . . .   | E-14-20    | HZY6-90049-000. . . . .   | E-14-28   | HZZ3-87701-R00. . . . . | FOP-8-6-47  | HZZ5-91156-D01. . . . . | FOP-8-7-73 |
| HZY6-36551-003. . . . .   | E-14-21    | HZY6-90059-000. . . . .   | E-9-10-20 | HZZ3-87701-R40. . . . . | FOP-8-4-18  | HZZ5-91157-D01. . . . . | FOP-8-7-74 |
| HZY6-37521-000. . . . .   | E-9-20-16  | HZY6-90082-003. . . . .   | E-3-25    | HZZ3-87703-R01. . . . . | FOP-8-2-24  |                         |            |
| HZY6-38228-003. . . . .   | F-7-20-3   | HZY6-90102-000. . . . .   | F-10-32   | HZZ3-87703-R81. . . . . | FOP-8-2-1   |                         |            |
| HZY6-38235-004. . . . .   | F-7-20-4   | HZY6-90103-000. . . . .   | F-3-13    | HZZ3-91252-003. . . . . | F-5-26      |                         |            |

## Note

## Note

## Note





# 2018 PARTS CATALOG

## BFT 150A Model

OB No.002-14ZY6-0AH 1712 US

### TOHATSU CORPORATION

5-4, Azusawa 3-Chome, Itabashi-Ku  
Tokyo 174-0051, Japan  
Tel: +81-3-3966-3117 Fax: +81-3-3966-2951  
[www.tohatsu.com](http://www.tohatsu.com)

