

# 2018 PARTS CATALOG



**TOHATSU**

Feel the Wind™

## BFT 75AK1 BFT 90AK1 Models

OB NO.002-14ZY9-0AH 17 12 US



TOHATSU CORPORATION



# Instruction for use of parts catalogue

- **This parts catalogue was prepared based on the latest information available as of December 1, 2017.**
- See the Service Bulletin for any revision that is made after December 1, 2017.
- **Always specify the part number when ordering a part.**
  - Check the model, type, serial numbers, color, maker, and the size as needed before ordering a part.
  - Note that the illustrations (part drawings) can differ from the actual parts in shape.  
Illustrations are given just to help you to refer to the parts.
- **When modifications or additions to this parts catalogue are made, a revised edition will be issued at an appropriate time, with successively progressing revision numbers on the cover. We recommend obtaining such revisions in order to keep your parts catalogue up-to-date at all times.**

Initial version issue date December 1, 2017

## CONTENTS

E-1	CYLINDER HEAD COVER	1
E-2	CYLINDER HEAD	3
E-3	CYLINDER BLOCK	7
E-5	OIL PUMP	11
E-6	OIL CASE	13
E-7	CRANKSHAFT/PISTON/FLYWHEEL	15
E-9	CAMSHAFT/VALVE/BELT	19
E-9-10	CHAIN CASE	23
E-14	INLET MANIFOLD/INJECTOR	25
E-15	SILENCER CASE/THROTTLE BODY	29
E-18	FUEL PUMP	33
E-18-10	WATER SEPARATOR	35
E-18-20	VAPOR SEPARATOR	37
E-19	A.C. GENERATOR	43
E-20	PLUG TOP COIL	45
E-20-10	ELECTRONIC CONTROL UNIT	47
E-21	STARTER MOTOR	49
F-2	SHIFT SHAFT	51
F-3	EXTENSION CASE	55
F-3-10	GEAR CASE	59
F-3-20	GEAR CASE ASSY.	63
F-3-30	MOUNT CASE	65
F-4	WATER PUMP/VERTICAL SHAFT	69
F-5	PROPELLER SHAFT	73
F-6	FUEL TUBE	77
F-7	MAIN WIRE HARNESS	79
F-7-10	STARTER CABLE	83
F-7-20	ELECTRONIC PARTS CASE	87
F-7-30	A.C. GENERATOR COVER	89
F-8	ENGINE COVER/UNDER COVER	91
F-10	STERN BRACKET/SWIVEL CASE	97
F-11	POWER TRIM-TILT	103
F-12	LABEL	109
F-13	TOOL	111
F-15	REMOTE CONTROL (HI-LEX) (HANDLE CAP = GRAY)	113
F-15-1	REMOTE CONTROL (PANEL MOUNT)	119
F-15-2	REMOTE CONTROL (NHK MEC) (HANDLE CAP = CHROME)	123
FOP-3	IMPELLER PUMP KIT	129
FOP-4	REMOTE CONTROL (TOP MOUNT SINGLE TYPE) (RIGHT)	131
FOP-4-2	REMOTE CONTROL (TOP MOUNT DUAL TYPE) (RIGHT)	135
FOP-4-4	REMOTE CONTROL (FLUSH MOUNT TYPE) (RIGHT)	139
FOP-6	SWITCH PANEL KIT (1)	141
FOP-6-1	SWITCH PANEL KIT (2)	145
FOP-7	METER	147
FOP-8	PROPELLER	149
FOP-9	BOLT KIT	151
FOP-10	STEERING HANDLE KIT	153
FOP-10-1	STEERING HANDLE KIT (MULTI-FUNCTION) (2)	161
FOP-11	INTERFACE CABLE KIT	169
FOP-12	TROLLING CONTROL SWITCH	171
	INDEX	173
	INDEX (Parts Number)	179

# How to refer to the part information

## A. Reference with "Illustrated index"

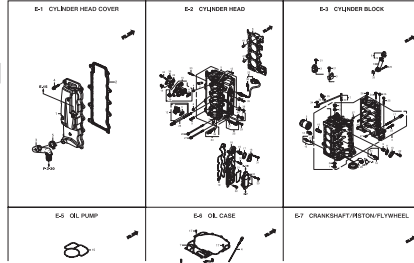


Fig. Number

Ref. Number/Part Number/Parts Name

**E-2 CYLINDER HEAD**

Ref.No.	Part No.	Description	Q'ty	Remarks
E-2	H2V-12105-000	METAL ANODE	2	2
E-2	HPJ-1200-300	GUIDE IN VALVE(S)	8	8
E-2	HPJ-1200-300	GUIDE EX VALVE(S)	8	8
E-2	HPZ-1201-004	SEAL A. VALVE STEM(K)	8	8
E-2	HPZ-1201-004	SEAL B. VALVE STEM(K)	8	8
E-2	H2V-12105-000	HEAD COMP. CYLINDER	1	1 *HHS DARK GRAY
E-2	HPZ-1201-004	SEAL B. VALVE STEM(K)	8	8
E-2	H2V-12105-000	BOLT SEALING EMM	2	2
E-2	H2V-1221-010	GASKET COMP. CYLINDER HEAD	1	1
E-2	HPZ-1402-010	MOTION COMB. LOST	4	4
E-2	H2Z-1810-002A	VALVE ASSY. SPOOL	1	1 *HHS DARK GRAY
E-2	HRA-1803-002	FILTER ASSY. SPOOL VALVE	1	1
E-2	H2V-1810-000	COVER ASSY. OIL PATH	1	1
E-2	H2V-1811-000	LIFTER FUEL PUMP	1	1
E-2	H2V-1805-000	CLAMP B. FUEL TUBE	1	1
E-2	H2V-1800-000	THERMOSTAT ASSY.	1	1
E-2	H2V-1803-000	COVER THERMOSTAT	1	1
E-2	H2V-1801-000	CHENG. THERMOSTAT COVER	1	1
E-2	H2V-1801-000	COVER WATER JACKET	1	1
E-2	H2V-1831-000	PACKING EX. WATER JACKET	1	1
E-2	H2V-1710-000	RECTIFIR ASSY. REGULATOR	1	1
E-2	H2V-1715-000	PACKING REGULATOR	1	1
E-2	H2V-2010-000	BRACKET D. HARNESS CLIP	1	1
E-2	H2V-2005-000	SENSOR OXYGEN	1	1
E-2	H2V-2417-000	SENSOR ASSY. WATER	1	1 TEMPERATURE
E-2	H2V-2000-000	SENSOR ASSY. TDO	1	1
E-2	HPK-3000-000	BOLT-WASHER 30X55	10	10
E-2	H2V-3001-000	BOLT FLANGE 8X55	1	1
E-2	H2V-3001-000	BOLT FLANGE 8X110	1	1
E-2	H2V-3001-000	BOLT FLANGE 6X16	1	1

## B. Reference with "Parts number index"

INDEX (Parts Number)			
102415540	1515	10448850	116295
104611134	47	10448854	116296
104609750	50	104411714	11827
104609750	51	10441174	11828
104609750	517	10442114	11813
104609750	518	10441174	11814
104609750	520	10441174	11815
104609750	521	10441174	11816
104609750	522	10441174	11817
104609750	523	10441174	11818
104609750	524	10441174	11819
104609750	525	10441174	11820
104609750	526	10441174	11821
104609750	527	10441174	11822
104609750	528	10441174	11823
104609750	529	10441174	11824
104609750	530	10441174	11825
104609750	531	10441174	11826
104609750	532	10441174	11827
104609750	533	10441174	11828
104609750	534	10441174	11829
104609750	535	10441174	11830
104609750	536	10441174	11831
104609750	537	10441174	11832
104609750	538	10441174	11833
104609750	539	10441174	11834
104609750	540	10441174	11835
104609750	541	10441174	11836
104609750	542	10441174	11837
104609750	543	10441174	11838
104609750	544	10441174	11839
104609750	545	10441174	11840
104609750	546	10441174	11841
104609750	547	10441174	11842
104609750	548	10441174	11843
104609750	549	10441174	11844
104609750	550	10441174	11845
104609750	551	10441174	11846
104609750	552	10441174	11847
104609750	553	10441174	11848
104609750	554	10441174	11849
104609750	555	10441174	11850
104609750	556	10441174	11851
104609750	557	10441174	11852
104609750	558	10441174	11853
104609750	559	10441174	11854
104609750	560	10441174	11855
104609750	561	10441174	11856
104609750	562	10441174	11857
104609750	563	10441174	11858
104609750	564	10441174	11859
104609750	565	10441174	11860
104609750	566	10441174	11861
104609750	567	10441174	11862
104609750	568	10441174	11863
104609750	569	10441174	11864
104609750	570	10441174	11865
104609750	571	10441174	11866
104609750	572	10441174	11867
104609750	573	10441174	11868
104609750	574	10441174	11869
104609750	575	10441174	11870
104609750	576	10441174	11871
104609750	577	10441174	11872
104609750	578	10441174	11873
104609750	579	10441174	11874
104609750	580	10441174	11875
104609750	581	10441174	11876
104609750	582	10441174	11877
104609750	583	10441174	11878
104609750	584	10441174	11879
104609750	585	10441174	11880
104609750	586	10441174	11881
104609750	587	10441174	11882
104609750	588	10441174	11883
104609750	589	10441174	11884
104609750	590	10441174	11885
104609750	591	10441174	11886
104609750	592	10441174	11887
104609750	593	10441174	11888
104609750	594	10441174	11889
104609750	595	10441174	11890
104609750	596	10441174	11891
104609750	597	10441174	11892
104609750	598	10441174	11893
104609750	599	10441174	11894
104609750	600	10441174	11895

## C. Reference with "Parts name index"

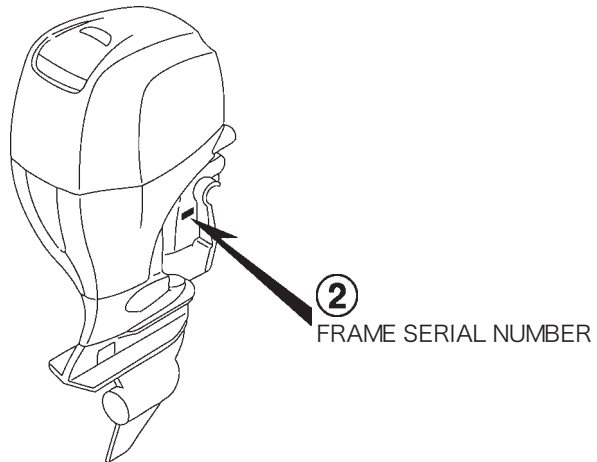
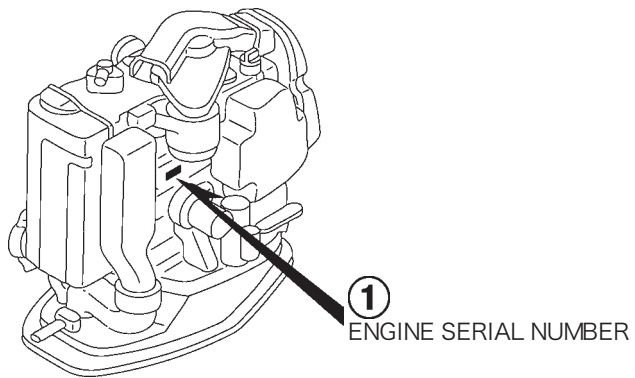
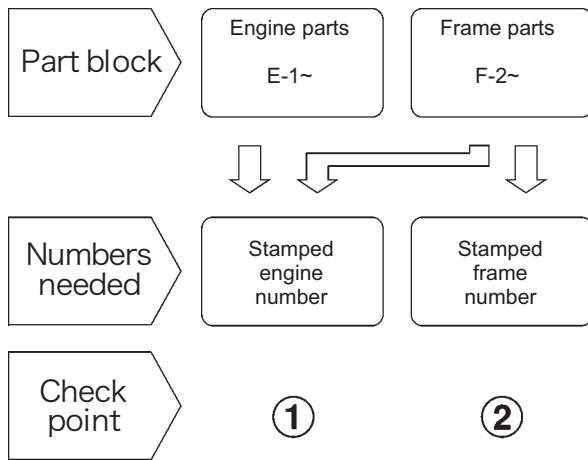
INDEX			
ANODE	1515	BOLT	1046
ADJUSTING SCREW	2128	BOLT	1000
ADJUSTING NUT	26	BOLT	1048
ADJUSTING SCREW	26	BOLT	1049
ADJUSTING SCREW	1512	BOLT	1050
BEARING	540	BOLT	1051
BEARING ASSY	547	BOLT	11842
ALTERNATOR ASSY	62	BOLT	11843
ANODE	1514	BOLT	11845
ANODE	1514	BOLT	11846
ANODE PLATE	1515	BOLT	11849
ANODE PLATE	1514	BOLT	11848
ARMOR	1046	BOLT	124
ARMOR COB(BLU-200)	21492	BOLT	124
ARMOR COB(BLU-1500)	21494	BOLT	124
ARMOR COB(BLU-1500)	21495	BOLT	124
ARMOR COB(BLU-1500)	21496	BOLT	124
ARMOR COB(BLU-1500)	21497	BOLT	124
ARMOR COB(BLU-1500)	21498	BOLT	124
ARMOR COB(BLU-1500)	21499	BOLT	124
ARMOR COB(BLU-1500)	21500	BOLT	124
ARMOR COB(BLU-1500)	21501	BOLT	124
ARMOR COB(BLU-1500)	21502	BOLT	124
ARMOR COB(BLU-1500)	21503	BOLT	124
ARMOR COB(BLU-1500)	21504	BOLT	124
ARMOR COB(BLU-1500)	21505	BOLT	124
ARMOR COB(BLU-1500)	21506	BOLT	124
ARMOR COB(BLU-1500)	21507	BOLT	124
ARMOR COB(BLU-1500)	21508	BOLT	124
ARMOR COB(BLU-1500)	21509	BOLT	124
ARMOR COB(BLU-1500)	21510	BOLT	124
ARMOR COB(BLU-1500)	21511	BOLT	124
ARMOR COB(BLU-1500)	21512	BOLT	124
ARMOR COB(BLU-1500)	21513	BOLT	124
ARMOR COB(BLU-1500)	21514	BOLT	124
ARMOR COB(BLU-1500)	21515	BOLT	124
ARMOR COB(BLU-1500)	21516	BOLT	124
ARMOR COB(BLU-1500)	21517	BOLT	124
ARMOR COB(BLU-1500)	21518	BOLT	124
ARMOR COB(BLU-1500)	21519	BOLT	124
ARMOR COB(BLU-1500)	21520	BOLT	124
ARMOR COB(BLU-1500)	21521	BOLT	124
ARMOR COB(BLU-1500)	21522	BOLT	124
ARMOR COB(BLU-1500)	21523	BOLT	124
ARMOR COB(BLU-1500)	21524	BOLT	124
ARMOR COB(BLU-1500)	21525	BOLT	124
ARMOR COB(BLU-1500)	21526	BOLT	124
ARMOR COB(BLU-1500)	21527	BOLT	124
ARMOR COB(BLU-1500)	21528	BOLT	124
ARMOR COB(BLU-1500)	21529	BOLT	124
ARMOR COB(BLU-1500)	21530	BOLT	124
ARMOR COB(BLU-1500)	21531	BOLT	124
ARMOR COB(BLU-1500)	21532	BOLT	124
ARMOR COB(BLU-1500)	21533	BOLT	124
ARMOR COB(BLU-1500)	21534	BOLT	124
ARMOR COB(BLU-1500)	21535	BOLT	124
ARMOR COB(BLU-1500)	21536	BOLT	124
ARMOR COB(BLU-1500)	21537	BOLT	124
ARMOR COB(BLU-1500)	21538	BOLT	124
ARMOR COB(BLU-1500)	21539	BOLT	124
ARMOR COB(BLU-1500)	21540	BOLT	124
ARMOR COB(BLU-1500)	21541	BOLT	124
ARMOR COB(BLU-1500)	21542	BOLT	124
ARMOR COB(BLU-1500)	21543	BOLT	124
ARMOR COB(BLU-1500)	21544	BOLT	124
ARMOR COB(BLU-1500)	21545	BOLT	124
ARMOR COB(BLU-1500)	21546	BOLT	124
ARMOR COB(BLU-1500)	21547	BOLT	124
ARMOR COB(BLU-1500)	21548	BOLT	124
ARMOR COB(BLU-1500)	21549	BOLT	124
ARMOR COB(BLU-1500)	21550	BOLT	124
ARMOR COB(BLU-1500)	21551	BOLT	124
ARMOR COB(BLU-1500)	21552	BOLT	124
ARMOR COB(BLU-1500)	21553	BOLT	124
ARMOR COB(BLU-1500)	21554	BOLT	124
ARMOR COB(BLU-1500)	21555	BOLT	124
ARMOR COB(BLU-1500)	21556	BOLT	124
ARMOR COB(BLU-1500)	21557	BOLT	124
ARMOR COB(BLU-1500)	21558	BOLT	124
ARMOR COB(BLU-1500)	21559	BOLT	124
ARMOR COB(BLU-1500)	21560	BOLT	124
ARMOR COB(BLU-1500)	21561	BOLT	124
ARMOR COB(BLU-1500)	21562	BOLT	124
ARMOR COB(BLU-1500)	21563	BOLT	124
ARMOR COB(BLU-1500)	21564	BOLT	124
ARMOR COB(BLU-1500)	21565	BOLT	124
ARMOR COB(BLU-1500)	21566	BOLT	124
ARMOR COB(BLU-1500)	21567	BOLT	124
ARMOR COB(BLU-1500)	21568	BOLT	124
ARMOR COB(BLU-1500)	21569	BOLT	124
ARMOR COB(BLU-1500)	21570	BOLT	124
ARMOR COB(BLU-1500)	21571	BOLT	124
ARMOR COB(BLU-1500)	21572	BOLT	124
ARMOR COB(BLU-1500)	21573	BOLT	124
ARMOR COB(BLU-1500)	21574	BOLT	124
ARMOR COB(BLU-1500)	21575	BOLT	124
ARMOR COB(BLU-1500)	21576	BOLT	124
ARMOR COB(BLU-1500)	21577	BOLT	124
ARMOR COB(BLU-1500)	21578	BOLT	124
ARMOR COB(BLU-1500)	21579	BOLT	124
ARMOR COB(BLU-1500)	21580	BOLT	124
ARMOR COB(BLU-1500)	21581	BOLT	124
ARMOR COB(BLU-1500)	21582	BOLT	124
ARMOR COB(BLU-1500)	21583	BOLT	124
ARMOR COB(BLU-1500)	21584	BOLT	124
ARMOR COB(BLU-1500)	21585	BOLT	124
ARMOR COB(BLU-1500)	21586	BOLT	124
ARMOR COB(BLU-1500)	21587	BOLT	124
ARMOR COB(BLU-1500)	21588	BOLT	124
ARMOR COB(BLU-1500)	21589	BOLT	124
ARMOR COB(BLU-1500)	21590	BOLT	124
ARMOR COB(BLU-1500)	21591	BOLT	124
ARMOR COB(BLU-1500)	21592	BOLT	124
ARMOR COB(BLU-1500)	21593	BOLT	124
ARMOR COB(BLU-1500)	21594	BOLT	124
ARMOR COB(BLU-1500)	21595	BOLT	124
ARMOR COB(BLU-1500)	21596	BOLT	124
ARMOR COB(BLU-1500)	21597	BOLT	124
ARMOR COB(BLU-1500)	21598	BOLT	124
ARMOR COB(BLU-1500)	21599	BOLT	124
ARMOR COB(BLU-1500)	21600	BOLT	124

# Part catalogue structure

Ref.No.	Part No.	Description	Q. ty	REMARKS
E-2	HDVH1211E-000	METAL ANGLE	2	2
E-2	HFUJ1220P-005	GUIDE IN VALVE(S)	8	8
E-2	HFUJ1220E-005	GUIDE EX VALVE(S)	8	8
E-2	HF2112210-004	SEAL A VALVE STEM(S)	8	8
E-2	HDYH1221H-002A	HEAD COMP, CYLINDER	1	1 H#H# DARK GRAY
E-2	HF2112211-004	SEAL B VALVE STEM(S)	8	8
E-2	HDWH1221H-010	BOLT SEALING 20MM	2	2
E-2	HDYH1221H-010	GASKET COMP, CYLINDER HEAD	1	1
E-2	HF2M1440M-013	MOTION COMP, LOST	1	4
E-2	KZ2P1310-002A	VALVE ASSY, SPOOL	1	1 H#H# DARK GRAY
E-2	HRM-1315-002	FILTER ASSY, SPOOL VALVE	1	1
E-2	HDYH1381F-000	COVER ASSY, OIL PATH	1	1
E-2	HDYH1371F-000	LIFTER FUEL PUMP	1	1
E-2	HDYH1399-002	CLAMP B. FUEL TUBE	1	1
E-2	HDYH1300-002	THERMOSTAT ASSY	1	1
E-2	H2W-1315-000	COVER THERMOSTAT	1	1
E-2	H2W-1317-000	O-RING THERMOSTAT COVER	1	1
E-2	HDYH1305-010	COVER WATER JACKET	1	1
E-2	HDYH1307-000	PACKING EX WATER JACKET	1	1 COVER
E-2	HDYH1325-002	RECTIFIER ASSY, REGULATOR	1	1
E-2	HDYH1375-000	PACKING REGULATOR	1	1
E-2	HDYH1314-000	BRACKET B. HARNESS CLIP	1	1
E-2	HDYH1365-001	SENSOR OXYGEN	1	1
E-2	HDYH1367-002	SENSOR ASSY WATER	1	1 TEMPERATURE
E-2	HDYH1309-002	SENSOR ASSY, TDC	1	1
E-2	HPWA1600P-002	BOLT WASHER 8X155	10	10
E-2	HDYH1601-000	BOLT FLANGE 8095	1	1
E-2	HDYH1601P-000	BOLT FLANGE 8X110	1	1
E-2	HDYH1601-000	BOLT FLANGE 8X11	1	1

- ① Fig. Number
- ② Fig. Title
- ③ Ref. Number
- ④ Parts Number
- ⑤ Parts Name
- ⑥ Q.ty
- ⑦ Remarks
- ⑧ Different specification
- ⑨ Direction Arrow
- ⑩ Parts enclosed within a dotted line are sub assembly parts.
- ⑪ A solid arrow indicates the block No. the part in question is connected to.

# How to check the part block and serial numbers



## Models, parts catalogue codes and applicable serial numbers

- Models, parts catalogue codes and applicable serial Nos. given in this parts catalogue can be identified as follows.

Model	Type	Parts catalogue type	Engine		Applicable engine serial No.	Applicable frame serial No.
			Model	Type		
BFT 75AK1	LRTA	LRTA	BF 75DK4	SE	BEBAJ-1300001~	BBAJ-6100001~
BFT 90AK1	LRTA	LRTA	BF 90DK5		BEBCJ-1300001~	BBCJ-6100001~
	XRTA	XRTA				

### Features of each type

- See the following table for the features of each type. (Items in brackets are optional)

Specifications		Model	BF 75DK4	
		Type	LRTA	
Transom height	537 mm		●	
Remote control			(●)	
Fuel tank			(●)	

Specifications		Model	BF 90DK5	
		Type	LRTA	XRTA
Transom height	537 mm		●	
	664 mm			●
Remote control			(●)	(●)
Fuel tank			(●)	(●)

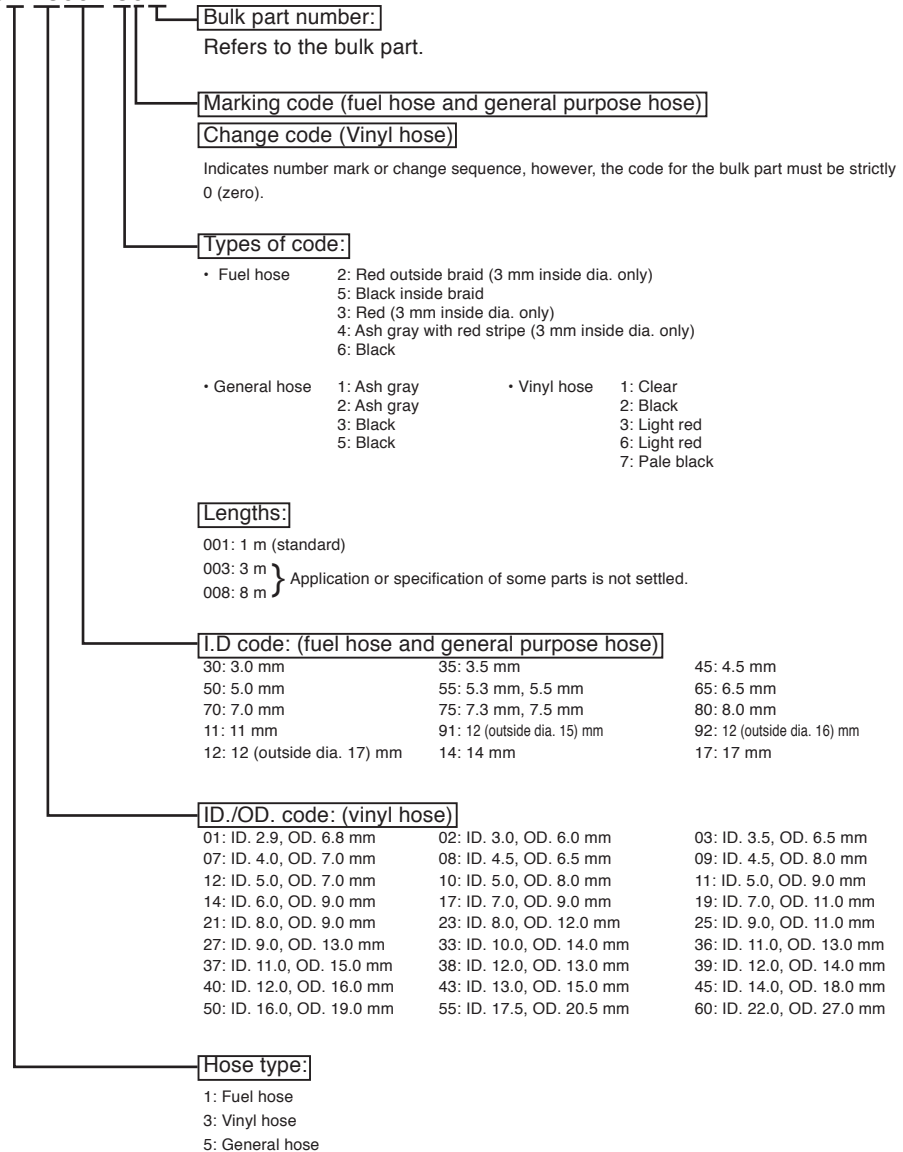


# Fuel hose, general purpose hoses and vinyl hose

- The standard part fuel hose, general purpose hose and vinyl hose may be substituted by the coiled bulk part.
- When ordering the standard part fuel hose, general purpose hose and vinyl hose use the bulk part number written in the parts catalog in brackets ( ) underneath the part name.
- When exchanging the hose, cut and use at the specified length as mentioned in the part name. (For the method of cutting the bulk part, and method of filling out orders etc., please refer to the instructions issued with the bulk part.)

## Bulk part number of fuel hose, general purpose hose and vinyl hose.

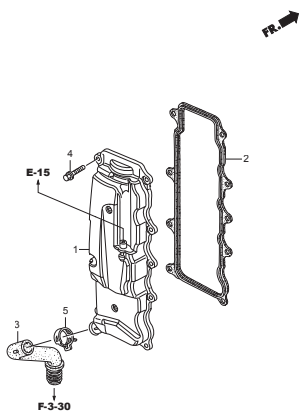
Example: 95001-75001-50M



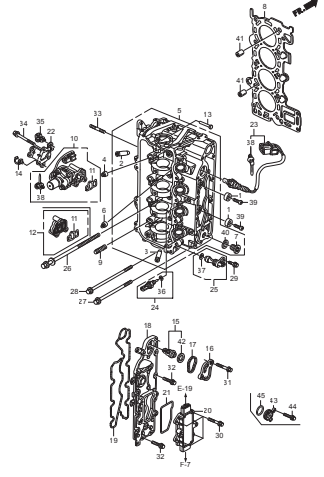
### CAUTION: It is DANGEROUS to confuse the fuel hose with the general purpose hose or vinyl hose.

Never use a general purpose hose or vinyl hose in place of a fuel hose or vice versa. Always use the correct bulk part in the parts catalogue, according to the service manual or the instructions issued with the bulk part.

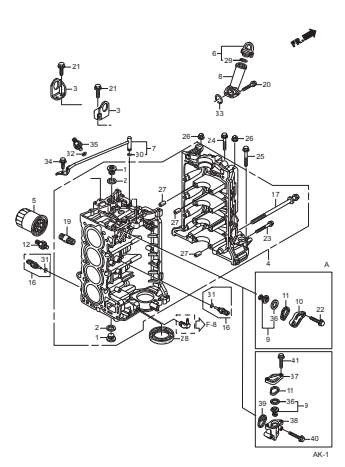
E-1 CYLINDER HEAD COVER



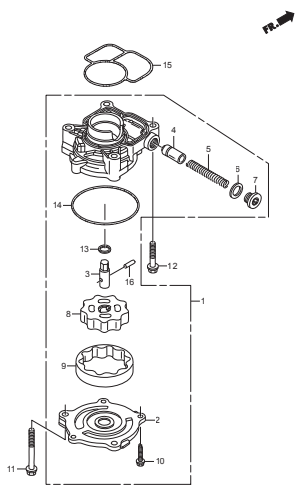
E-2 CYLINDER HEAD



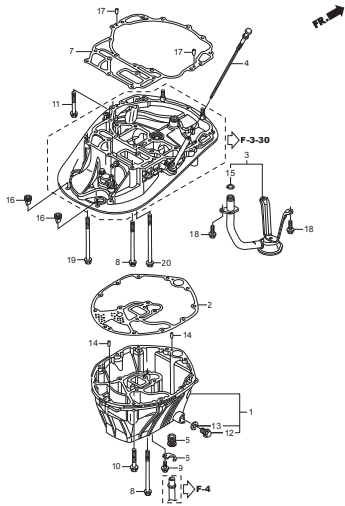
E-3 CYLINDER BLOCK



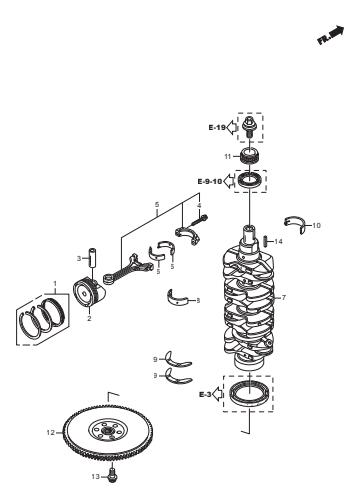
E-5 OIL PUMP



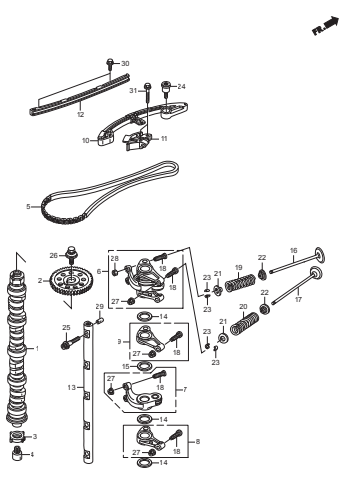
E-6 OIL CASE



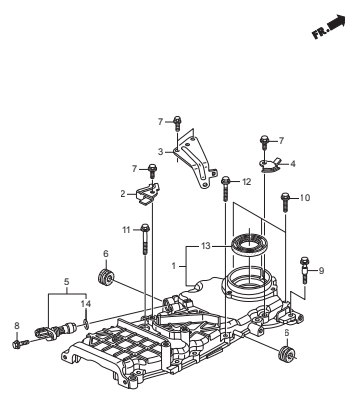
E-7 CRANKSHAFT/PISTON/FLYWHEEL



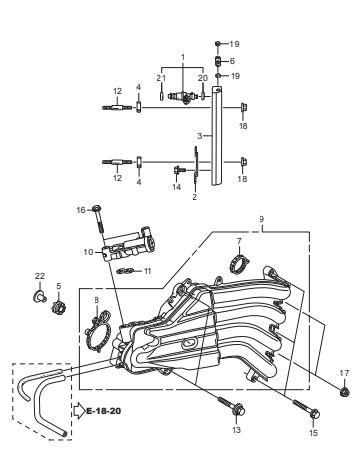
E-9 CAMSHAFT/VALVE/BELT



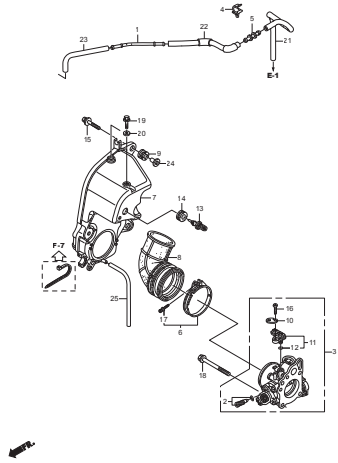
E-9-10 CHAIN CASE



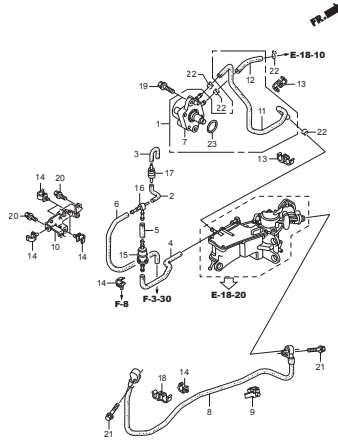
E-14 INLET MANIFOLD/INJECTOR



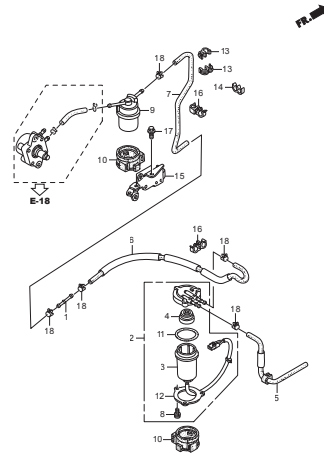
E-15 SILENCER CASE/THROTTLE BODY



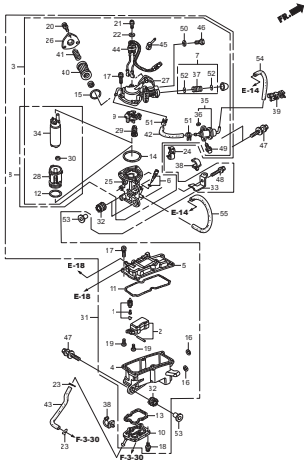
E-18 FUEL PUMP



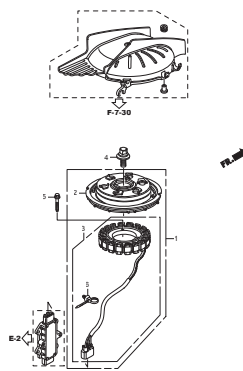
E-18-10 WATER SEPARATOR



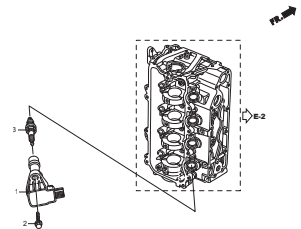
E-18-20 VAPOR SEPARATOR



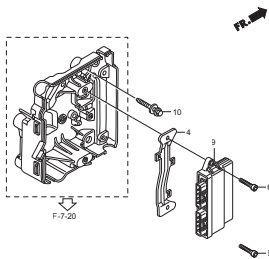
E-19 A.C. GENERATOR



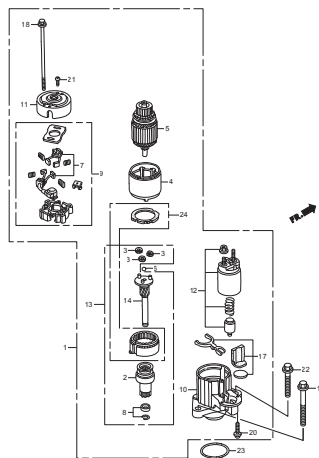
E-20 PLUG TOP COIL



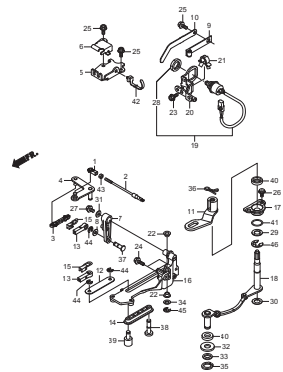
E-20-10 ELECTRONIC CONTROL UNIT



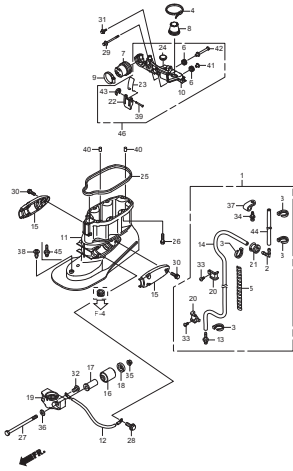
E-21 STARTER MOTOR



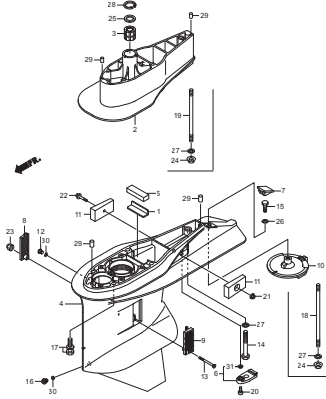
F-2 SHIFT SHAFT



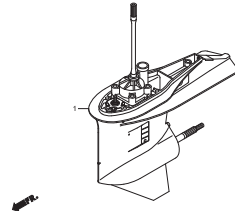
F-3 EXTENSION CASE



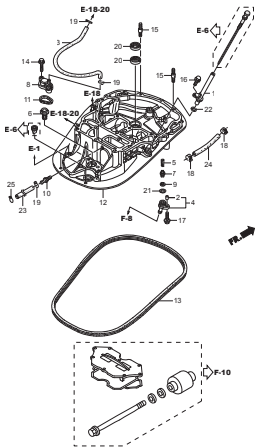
F-3-10 GEAR CASE



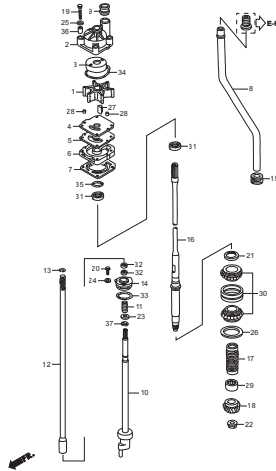
F-3-20 GEAR CASE ASSY.



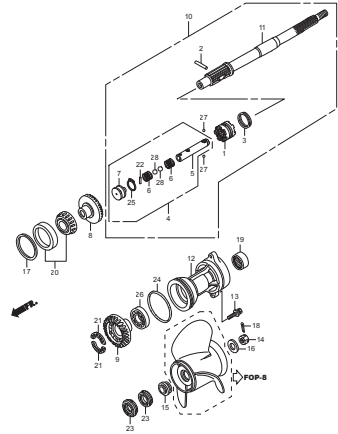
F-3-30 MOUNT CASE



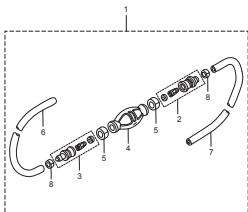
F-4 WATER PUMP/VERTICAL SHAFT



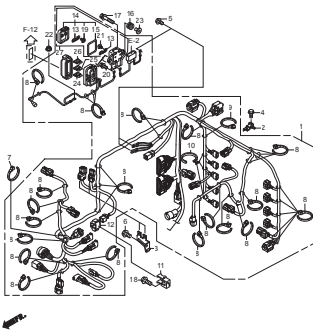
F-5 PROPELLER SHAFT



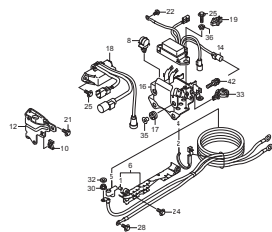
F-6 FUEL TUBE



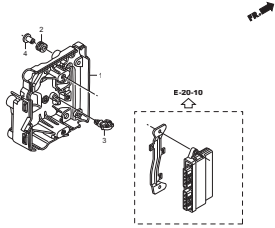
F-7 MAIN WIRE HARNESS



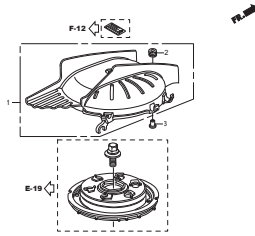
F-7-10 STARTER CABLE



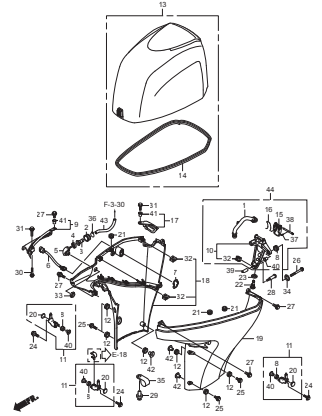
F-7-20 ELECTRONIC PARTS CASE



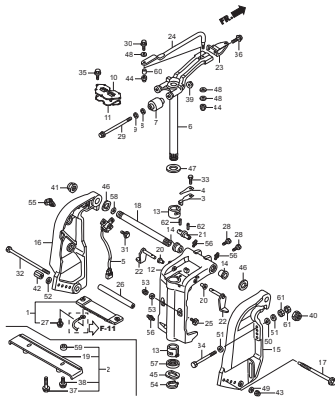
F-7-30 A.C. GENERATOR COVER



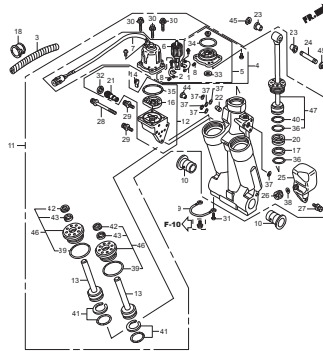
F-8 ENGINE COVER/UNDER COVER



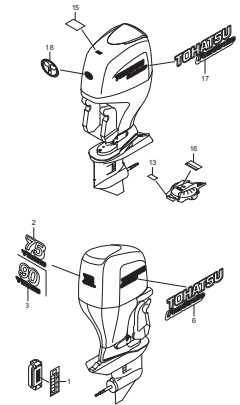
F-10 STERN BRACKET/SWIVEL CASE



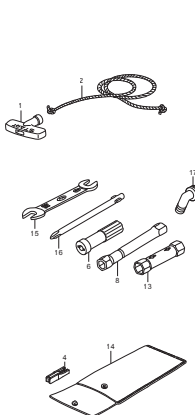
F-11 POWER TRIM-TILT



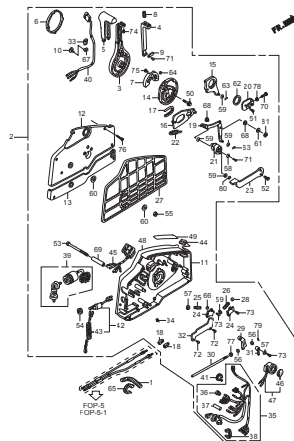
F-12 LABEL



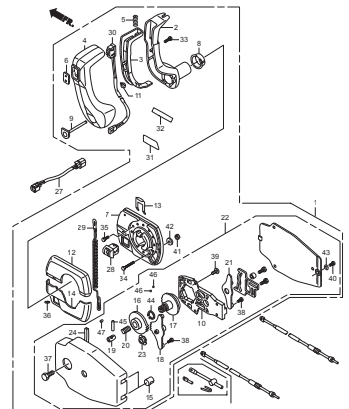
F-13 TOOL



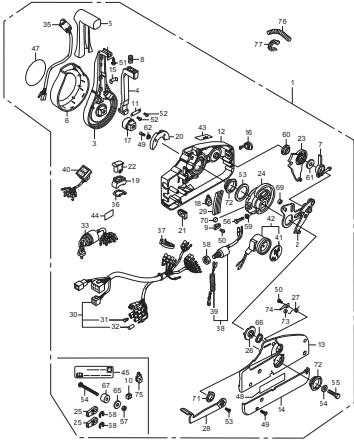
F-15 REMOTE CONTROL(HI-LEX)  
(HANDLE CAP = GRAY)



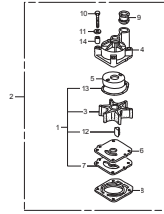
F-15-1 REMOTE CONTROL  
(PANEL MOUNT)



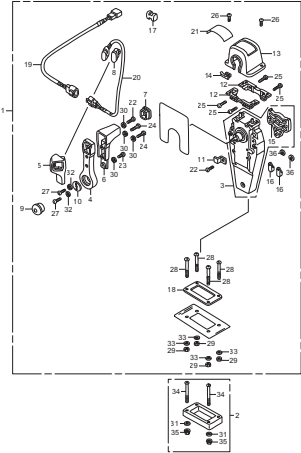
**F-15-2 REMOTE CONTROL(NHK MEC)  
(HANDLE CAP = CHROME)**



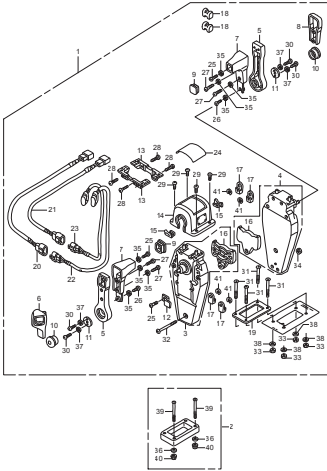
**FOP-3 IMPELLER PUMP KIT**



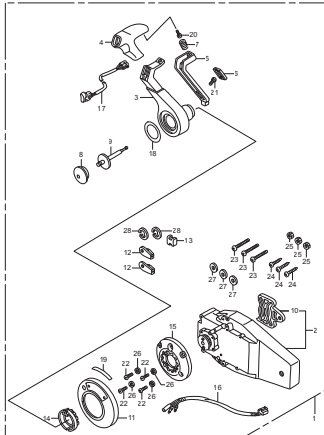
**FOP-4 REMOTE CONTROL(TOP MOUNT  
SINGLE TYPE)(RIGHT)**



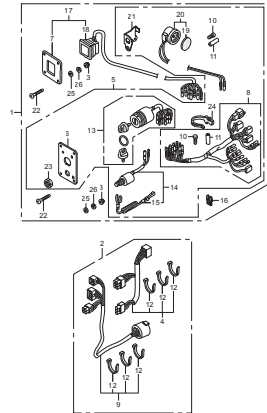
**FOP-4-2 REMOTE CONTROL(TOP MOUNT  
DUAL TYPE)(RIGHT)**



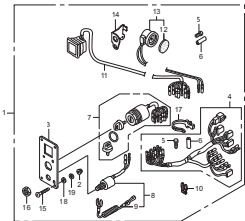
**FOP-4-4 REMOTE CONTROL(FLUSH MOUNT  
TYPE)(RIGHT)**



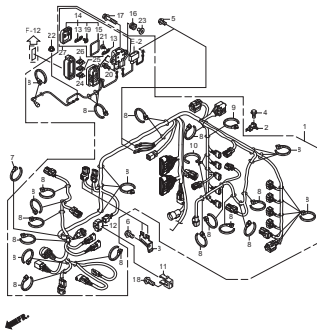
**FOP-6 SWITCH PANEL KIT(1)**



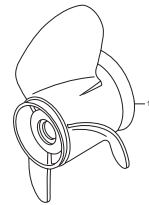
**FOP-6-1 SWITCH PANEL KIT(2)**



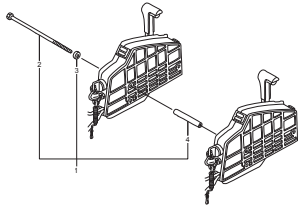
**FOP-7 METER**



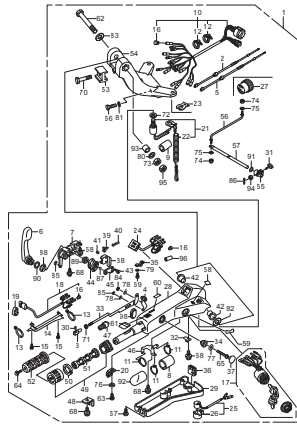
**FOP-8 PROPELLER**



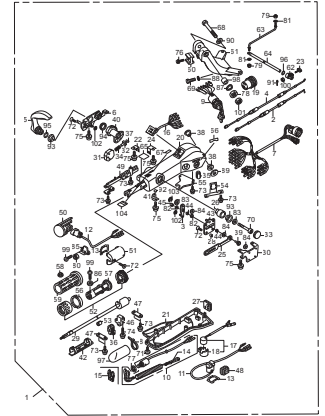
FOP-9 BOLT KIT



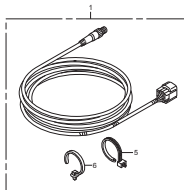
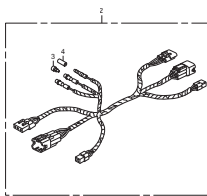
FOP-10 STEERING HANDLE KIT



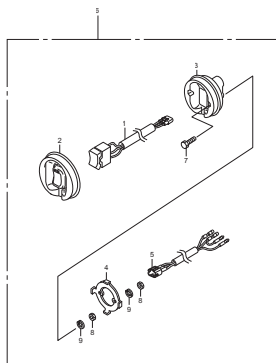
FOP-10-1 STEERING HANDLE KIT (MULTI-FUNCTION) (2)

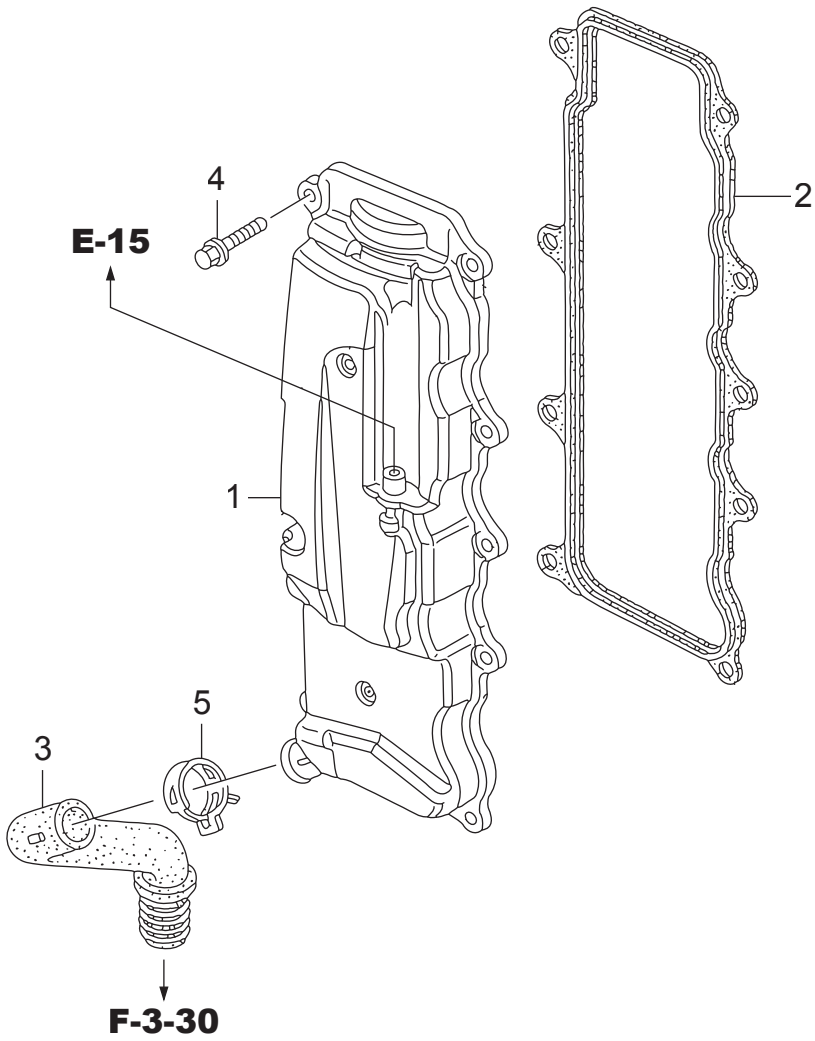


FOP-11 INTERFACE CABLE KIT



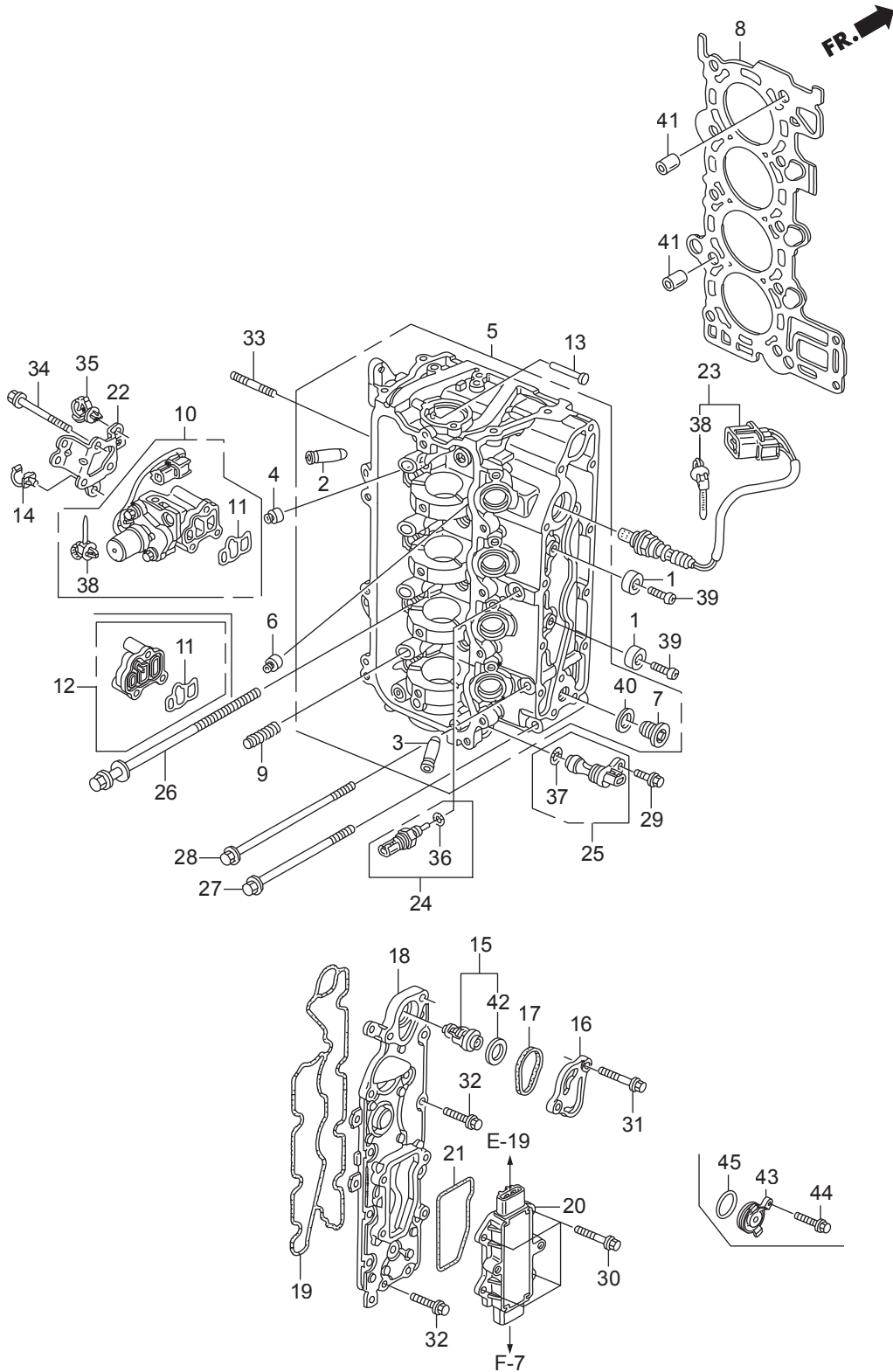
FOP-12 TROLLING CONTROL SWITCH



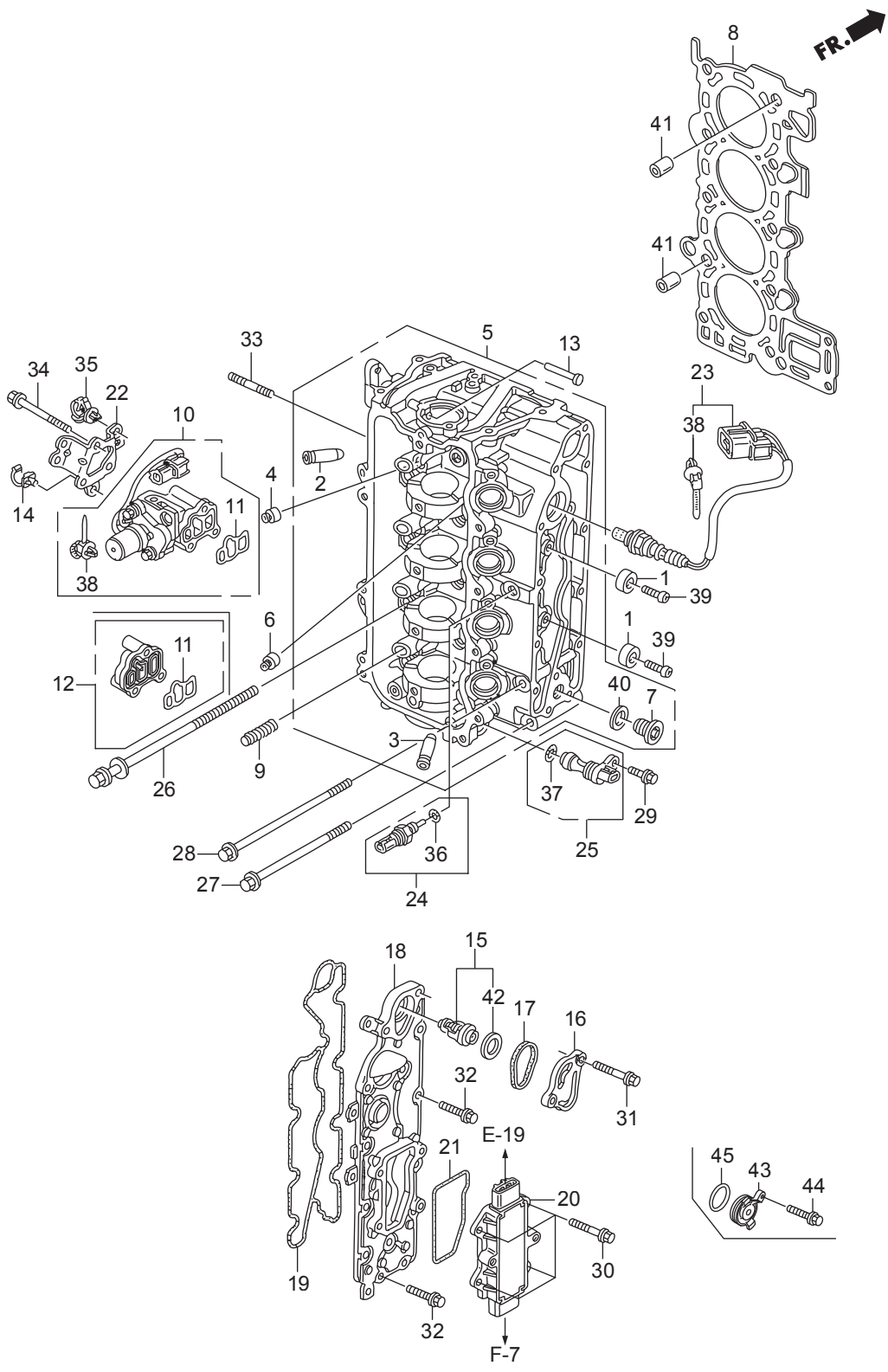






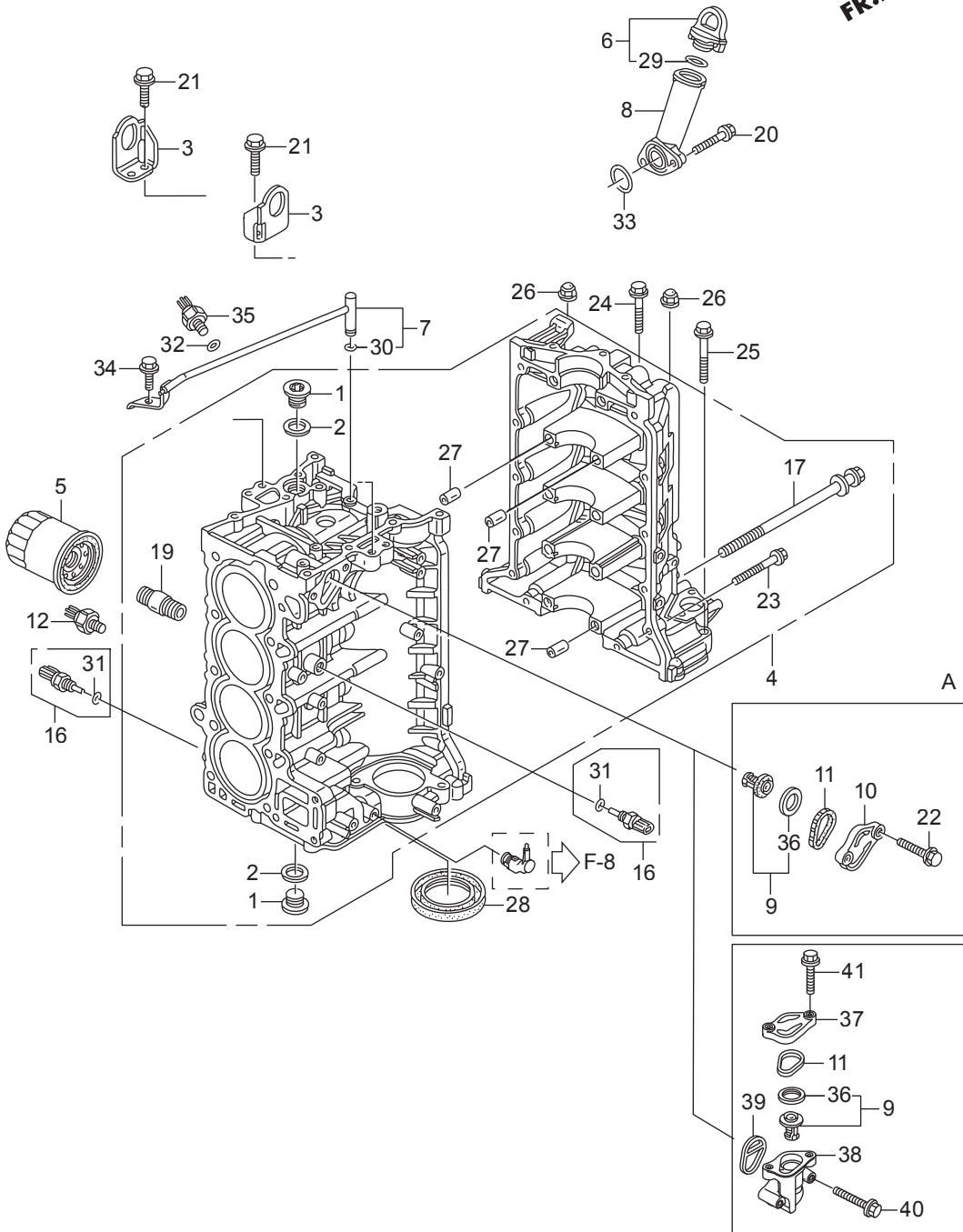


Ref.No.	Part No.	Description	Q'ty				Remarks	
			BFT75A	BFT75AK1	BFT90A	BFT90AK1		
E-2	1	HZV5-12155-000	METAL, ANODE	2	2	2	2	
E-2	2	HPJ7-12204-305	GUIDE, IN. VALVE(O.S.)	8	8	8	8	
E-2	3	HPJ7-12205-305	GUIDE, EX. VALVE(O.S.)	8	8	8	8	
E-2	4	HPZ1-12210-004	SEAL A, VALVE STEM(NOK)	8	8	8	8	
E-2	5	HZY9-12210-H00ZA	HEAD COMP., CYLINDER	1		1		*NH8* DARK GRAY
E-2	5	HZY9-12210-M00ZA	HEAD COMP., CYLINDER		1		1	*NH8* DARK GRAY
E-2	6	HPZ1-12211-004	SEAL B, VALVE STEM(NOK)	8	8	8	8	
E-2	7	HZW1-12217-010	BOLT, SEALING, 20MM	2		2		
E-2	7	HZY9-12217-M00	BOLT, SEALING, 20MM		2		2	
E-2	8	HZY9-12251-013	GASKET COMP., CYLINDER HEAD	1	1	1	1	
E-2	9	HPZA-14820-013	MOTION COMP., LOST			4	4	
E-2	10	HZZ0-15810-003ZA	VALVE ASSY., SPOOL			1	1	*NH8* DARK GRAY
E-2	11	HRAA-15815-A02	FILTER ASSY., SPOOL VALVE	1	1	1	1	
E-2	12	HZY9-15815-000	COVER ASSY., OIL PATH	1	1			
E-2	13	HZY9-16717-000	LIFTER, FUEL PUMP	1	1	1	1	
E-2	14	HZY9-16896-003	CLAMP B, FUEL TUBE	1	1	1	1	
E-2	15	HZY6-19300-003	THERMOSTAT ASSY.	1	1	1	1	
E-2	16	HZW9-19315-000	COVER, THERMOSTAT	1	1	1	1	
E-2	17	HZW9-19317-000	O-RING, THERMOSTAT COVER	1	1	1	1	
E-2	18	HZY9-19361-010	COVER, WATER JACKET	1		1		
E-2	18	HZY9-19361-M00	COVER, WATER JACKET		1		1	
E-2	19	HZY9-19371-000	PACKING, EX. WATER JACKET COVER	1	1	1	1	
E-2	20	HZY9-31750-003	RECTIFIER ASSY., REGULATOR	1	1	1	1	
E-2	21	HZY9-31754-000	PACKING, REGULATOR	1	1	1	1	
E-2	22	HZY9-32114-000	BRACKET D, HARNESS CLIP	1	1	1	1	
E-2	23	HZY9-35655-H01	SENSOR, OXYGEN	1	1	1	1	
E-2	24	HZY3-35673-003	SENSOR ASSY., WATER TEMPERATURE	1	1	1	1	
E-2	25	HZY9-35695-003	SENSOR ASSY., TDC	1	1	1	1	
E-2	26	HPWA-90008-003	BOLT-WASHER, 9X155	10	10	10	10	



Ref.No.	Part No.	Description	Q'ty				Remarks
			BFT75A	BFT75AK1	BFT90A	BFT90AK1	
E-2	27	HZY9-90011-000	BOLT, FLANGE, 8X95	1		1	
E-2	27	HZY9-90011-M00	BOLT, FLANGE, 8X95		1		1
E-2	28	HZY9-90016-000	BOLT, FLANGE, 8X110	1		1	
E-2	28	HZY9-90016-M00	BOLT, FLANGE, 8X110		1		1
E-2	29	HZY3-90017-000	BOLT, FLANGE, 6X16	1		1	
E-2	29	HZZ5-90017-M00	BOLT, FLANGE, 6X16		1		1
E-2	30	HZW5-90018-000	BOLT, FLANGE, 6X20	4		4	
E-2	30	HZZ5-90018-M00	BOLT, FLANGE, 6X20		4		4
E-2	31	HZW9-90019-000	BOLT, FLANGE, 6X35	2		2	
E-2	31	HZZ5-90019-M00	BOLT, FLANGE, 6X35		2		2
E-2	32	HZY3-90030-000	BOLT, FLANGE, 6X22	12		12	
E-2	32	HZZ5-90030-M00	BOLT, FLANGE, 6X22		12		12
E-2	33	HZY6-90047-000	BOLT, STUD, 8X32	2		2	
E-2	33	HZY9-90047-M00	BOLT, STUD, 8X32		2		2
E-2	34	HZW4-90147-000	BOLT, FLANGE, 6X55	3		3	
E-2	34	HZZ5-90047-M00	BOLT, FLANGE, 6X55		3		3
E-2	35	HZB7-90691-003	CLIP, HARNESS	1	1	1	1
E-2	36	HPNA-91307-003	O-RING, 9.5X1.9	1	1	1	1
E-2	37	HPNA-91333-003	O-RING, 15X1.9	1	1	1	1
E-2	38	HS0A-91541-003	CLIP, HARNESS BAND(BLACK)	1	1	2	2 (145MM)
E-2	39	HCO-93500-06018-4J	SCREW, PAN, 6X18	2	2	2	2
E-2	40	HCO-94109-20000	WASHER, DRAIN PLUG, 20MM	2	2	2	2
E-2	41	HCO-94301-14200	DOWEL PIN, 14X20	2	2	2	2
E-2	42	HZW9-19303-003	RUBBER, RING	1	1	1	1
E-2	43	HZY9-19380-M00	COVER COMP., ANODE		1		1
E-2	44	HZZ5-90030-M00	BOLT, FLANGE, 6X22		1		1
E-2	45	HZZ5-91302-M01	O RING, 33X2.4		1		1

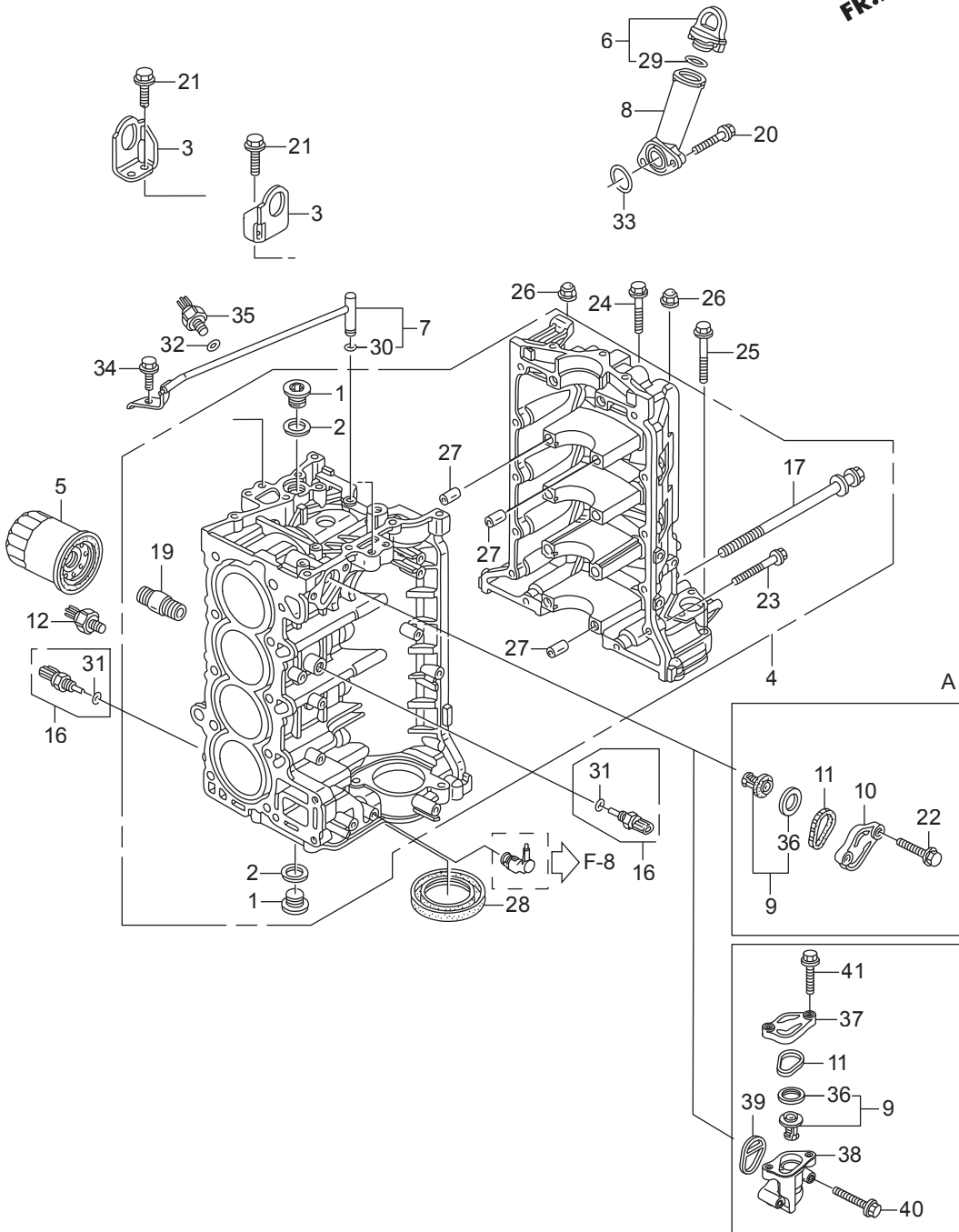
FR. 



AK-1

Ref.No.	Part No.	Description	Q'ty				Remarks	
			BFT75A	BFT75AK1	BFT90A	BFT90AK1		
E-3	1	HPWA-11106-300	BOLT, SEALING, 24MM	2	2	2	2	
E-3	2	HPWA-11107-300	WASHER, SEALING, 24MM	2	2	2	2	
E-3	3	HZY9-11911-000	HANGER, ENGINE	2	2	2	2	
E-3	4	HZY9-12000-406ZA	BLOCK ASSY., CYLINDER	1		1		*NH8* DARK GRAY
E-3	4	HZY9-12000-407ZA	BLOCK ASSY., CYLINDER		1		1	*NH8* DARK GRAY
E-3	5	HRTA-15400-004	CARTRIDGE, OIL FILTER	1	1	1	1	(TOYO ROKI)
E-3	6	HZY9-15600-000	CAP ASSY., OIL FILLER	1		1		
E-3	6	HZY9-15600-M00	CAP ASSY., OIL FILLER		1		1	
E-3	7	HZY9-15612-000	PIPE, OIL	1	1	1	1	
E-3	8	HZY9-15631-000	EXTENSION, OIL FILLER	1	1	1	1	
E-3	9	HZW9-19300-003	THERMOSTAT ASSY.	1	1	1	1	
E-3	10	HZY9-19315-H00	COVER, THERMOSTAT	1		1		
E-3	11	HZW9-19317-000	O-RING, THERMOSTAT COVER	1	1	1	1	
E-3	12	HRGA-30530-004	SENSOR COMP., KNOCK			1	1	
E-3	16	HZY3-35673-003	SENSOR ASSY., WATER TEMPERATURE	2	2	2	2	
E-3	17	HZY9-90008-003	BOLT-WASHER, 10X105	10	10	10	10	
E-3	19	HPH1-90015-013	HOLDER, OIL FILTER	1	1	1	1	
E-3	20	HZW9-90016-000	BOLT, FLANGE, 6X25	2		2		
E-3	20	HZZ5-90014-M00	BOLT, FLANGE, 6X25		2		2	
E-3	21	HZY3-90026-000	BOLT, FLANGE, 8X20	4		4		
E-3	21	HZY9-90026-M00	BOLT, FLANGE, 8X20		4		4	
E-3	22	HZY3-90030-000	BOLT, FLANGE, 6X22	2		2		
E-3	23	HZY3-90031-000	BOLT, FLANGE, 6X32	12		12		
E-3	23	HZZ5-90032-M00	BOLT, FLANGE, 6X32		12		12	
E-3	24	HZY3-90054-000	BOLT, FLANGE, 8X35	1		1		
E-3	24	HZY9-90054-M00	BOLT, FLANGE, 8X35		1		1	
E-3	25	HHW1-90120-671	BOLT, FLANGE, 8X45	2	2	2	2	
E-3	26	HZY9-90201-000	NUT, FLANGE CAP, 8MM	2		2		
E-3	26	HZY9-90201-M00	NUT, FLANGE CAP, 8MM		2		2	

FR. 

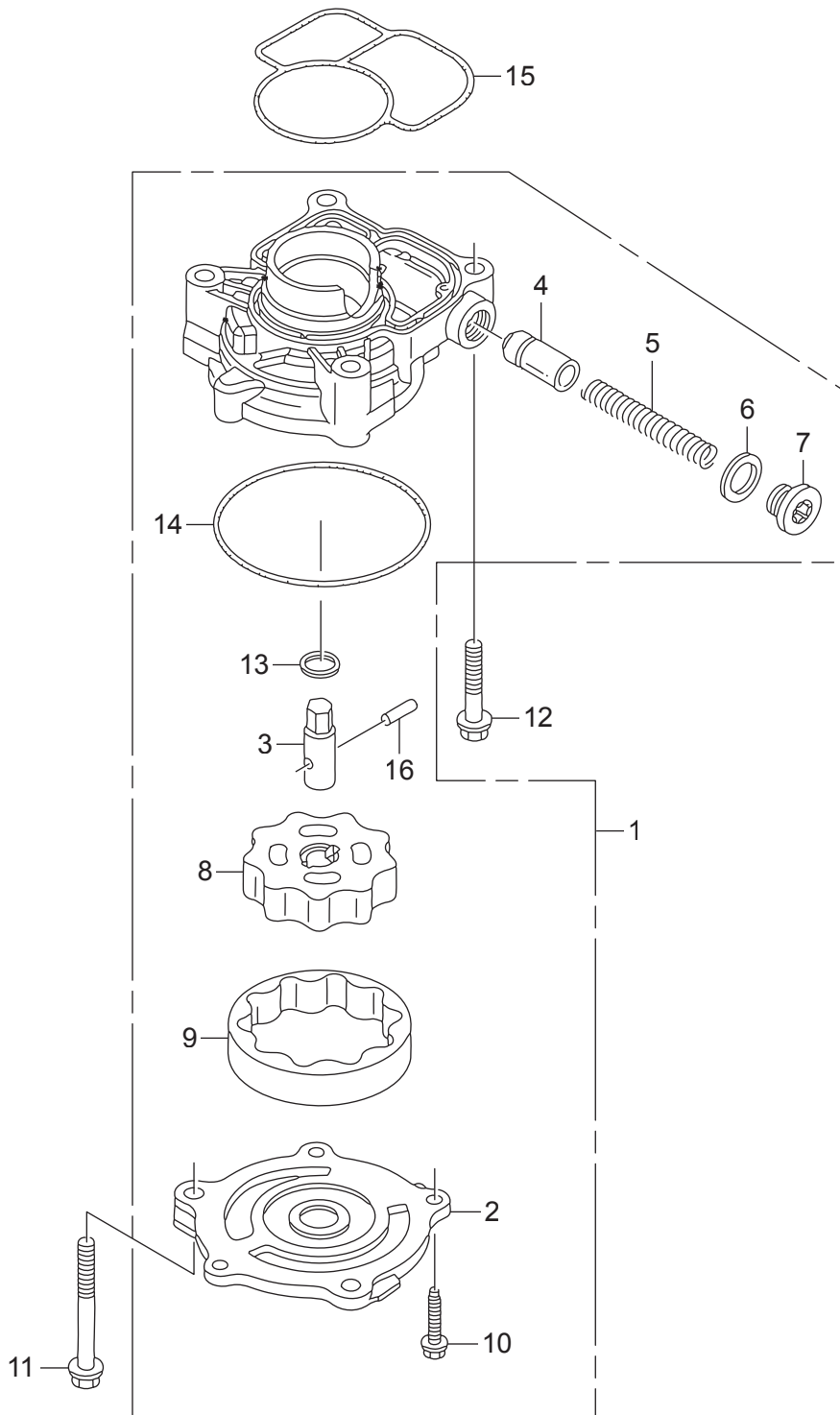


AK-1



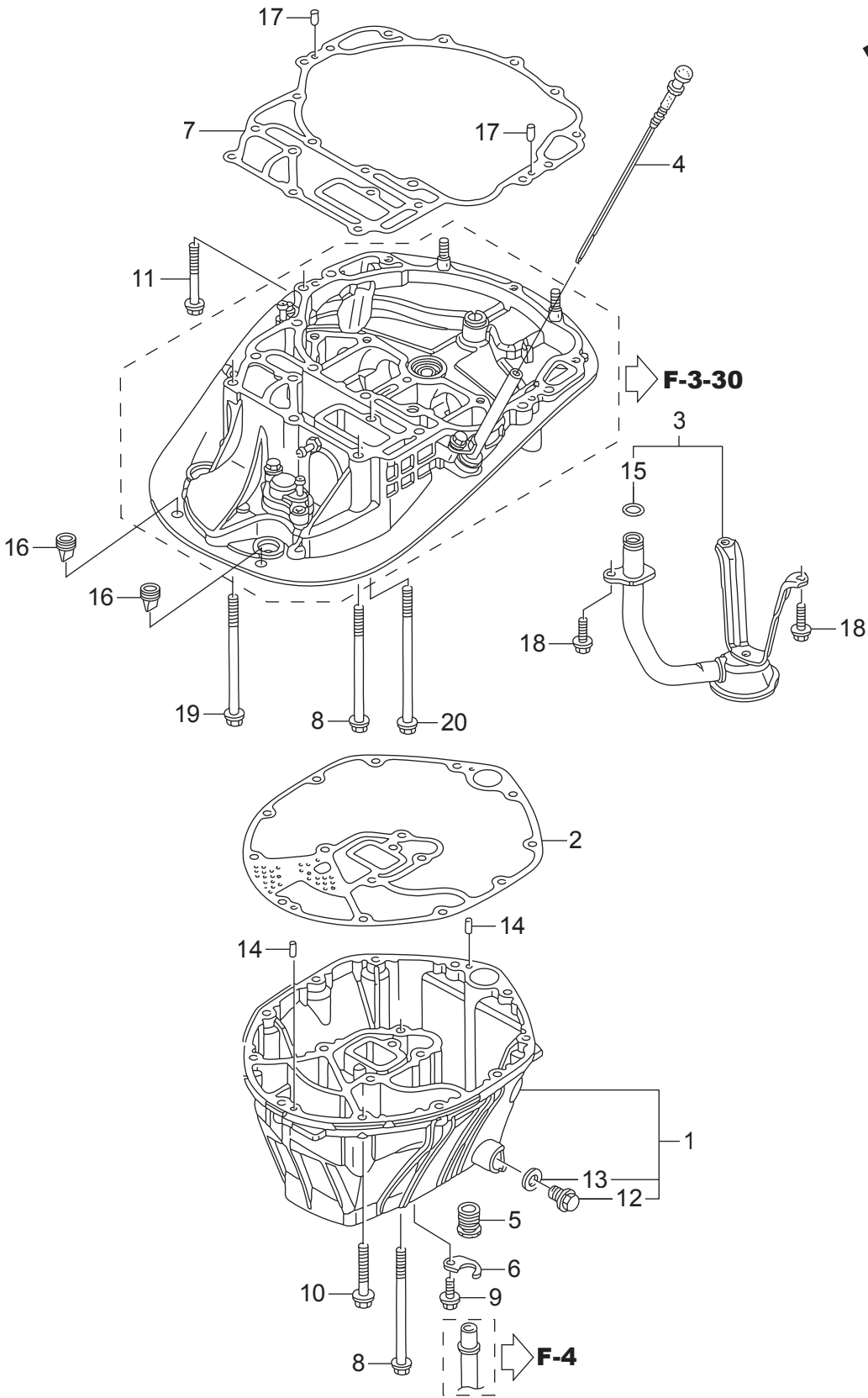


FR. 



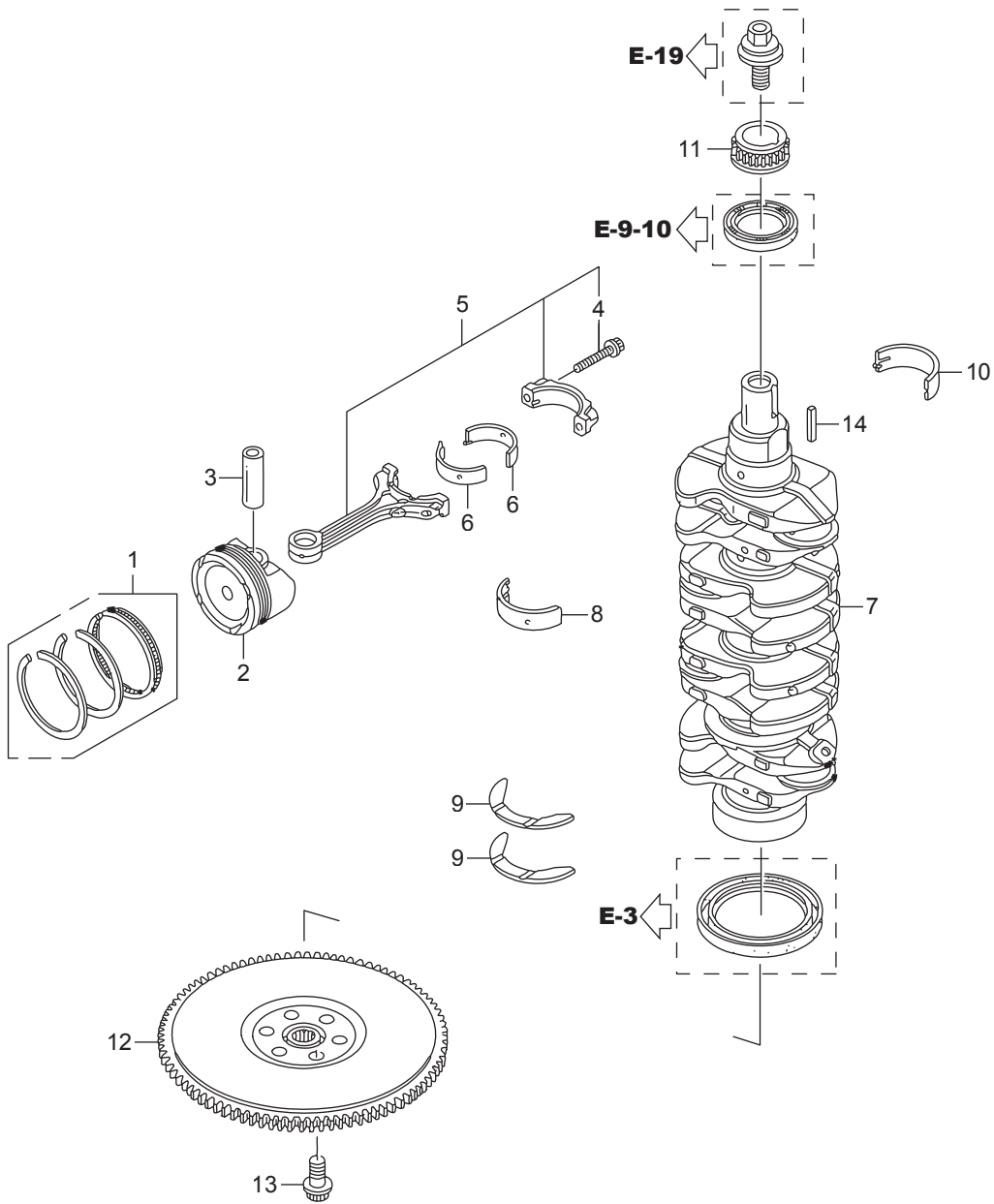


E-6 OIL CASE



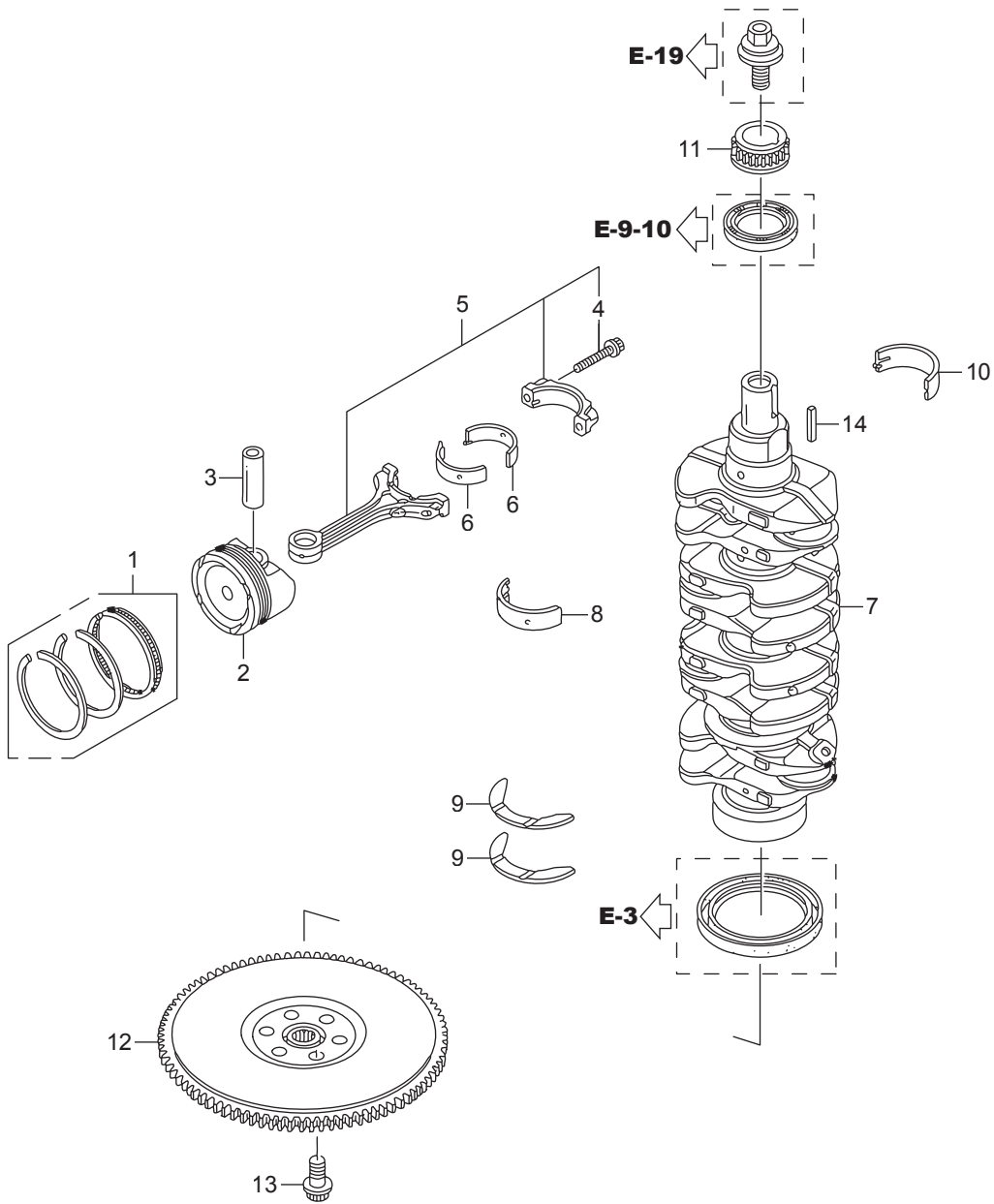


FR. 



Ref.No.	Part No.	Description	Q'ty				Remarks	
			BFT75A	BFT75AK1	BFT90A	BFT90AK1		
E-7	1	HZY9-13010-H00	RING SET, PISTON(STD.)	4	4	4	4	
E-7	1	HZY9-13011-010	RING SET, PISTON(0.25)	4	4	4	4	
E-7	2	HZY9-13101-H00	PISTON(STD.)	4	4	4	4	
E-7	2	HZZ0-13102-000	PISTON(0.25)	4	4	4	4	
E-7	3	HPWA-13111-000	PIN, PISTON	4	4	4	4	
E-7	4	HPWA-13204-003	BOLT, CONNECTING ROD	8	8	8	8	
E-7	5	HZY9-13210-010	ROD COMP., CONNECTING	4	4	4	4	
E-7	6	HPWA-13211-003	BEARING A, CONNECTING ROD(BLUE)	8	8	8	8	(DAIDO)
E-7	6	HPWA-13212-003	BEARING B, CONNECTING ROD(BLACK)	8	8	8	8	(DAIDO)
E-7	6	HPWA-13213-003	BEARING C, CONNECTING ROD(BROWN)	8	8	8	8	(DAIDO)
E-7	6	HPWA-13214-003	BEARING D, CONNECTING ROD(GREEN)	8	8	8	8	(DAIDO)
E-7	6	HPWA-13215-003	BEARING E, CONNECTING ROD(YELLOW)	8	8	8	8	(DAIDO)
E-7	6	HPWA-13216-003	BEARING F, CONNECTING ROD(PINK)	8	8	8	8	(DAIDO)
E-7	6	HPWA-13217-003	BEARING G, CONNECTING ROD(RED)	8	8	8	8	(DAIDO)
E-7	7	HZY9-13310-010	CRANKSHAFT COMP.	1	1	1	1	
E-7	8	HPWA-13322-003	BEARING B, MAIN UPPER(BLACK)	5	5	5	5	(DAIDO)
E-7	8	HPWA-13323-003	BEARING C, MAIN UPPER(BROWN)	5	5	5	5	(DAIDO)
E-7	8	HPWA-13324-003	BEARING D, MAIN UPPER(GREEN)	5	5	5	5	(DAIDO)
E-7	8	HPWA-13325-003	BEARING E, MAIN UPPER(YELLOW)	5	5	5	5	(DAIDO)
E-7	8	HPWA-13326-003	BEARING F, MAIN UPPER(PINK)	5	5	5	5	(DAIDO)
E-7	8	HPWA-13327-003	BEARING G, MAIN UPPER(RED)	5	5	5	5	(DAIDO)
E-7	8	HPWA-13328-003	BEARING H, MAIN UPPER(WHITE)	5	5	5	5	(DAIDO)
E-7	9	HZY9-13331-003	WASHER, THRUST	2	2	2	2	
E-7	10	HPWA-13342-003	BEARING B, MAIN LOWER(BLACK)	5	5	5	5	(DAIDO)
E-7	10	HPWA-13343-003	BEARING C, MAIN LOWER(BROWN)	5	5	5	5	(DAIDO)
E-7	10	HPWA-13344-003	BEARING D, MAIN LOWER(GREEN)	5	5	5	5	(DAIDO)
E-7	10	HPWA-13345-003	BEARING E, MAIN LOWER(YELLOW)	5	5	5	5	(DAIDO)
E-7	10	HPWA-13346-003	BEARING F, MAIN LOWER(PINK)	5	5	5	5	(DAIDO)
E-7	10	HPWA-13347-003	BEARING G, MAIN LOWER(RED)	5	5	5	5	(DAIDO)

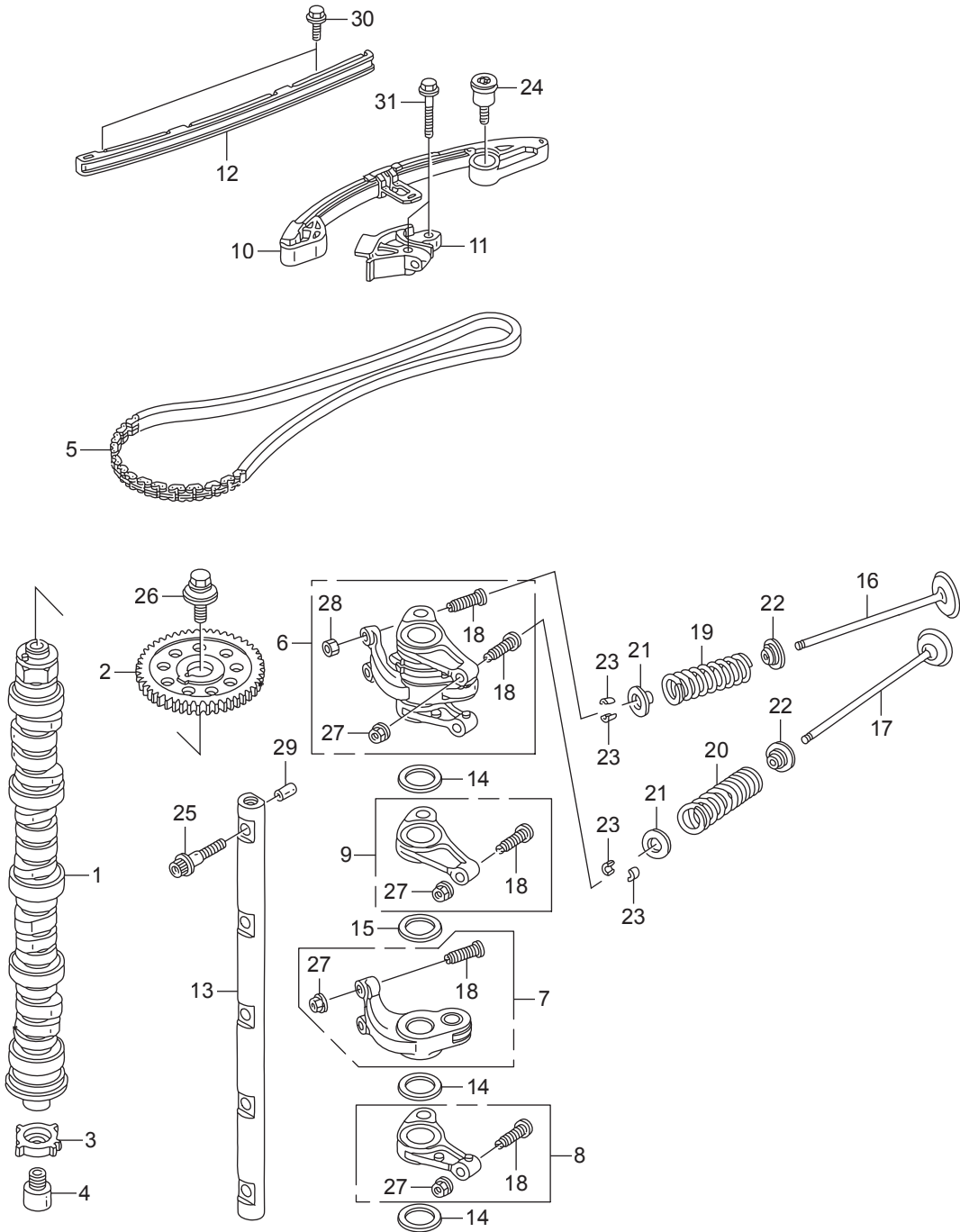
FR. 



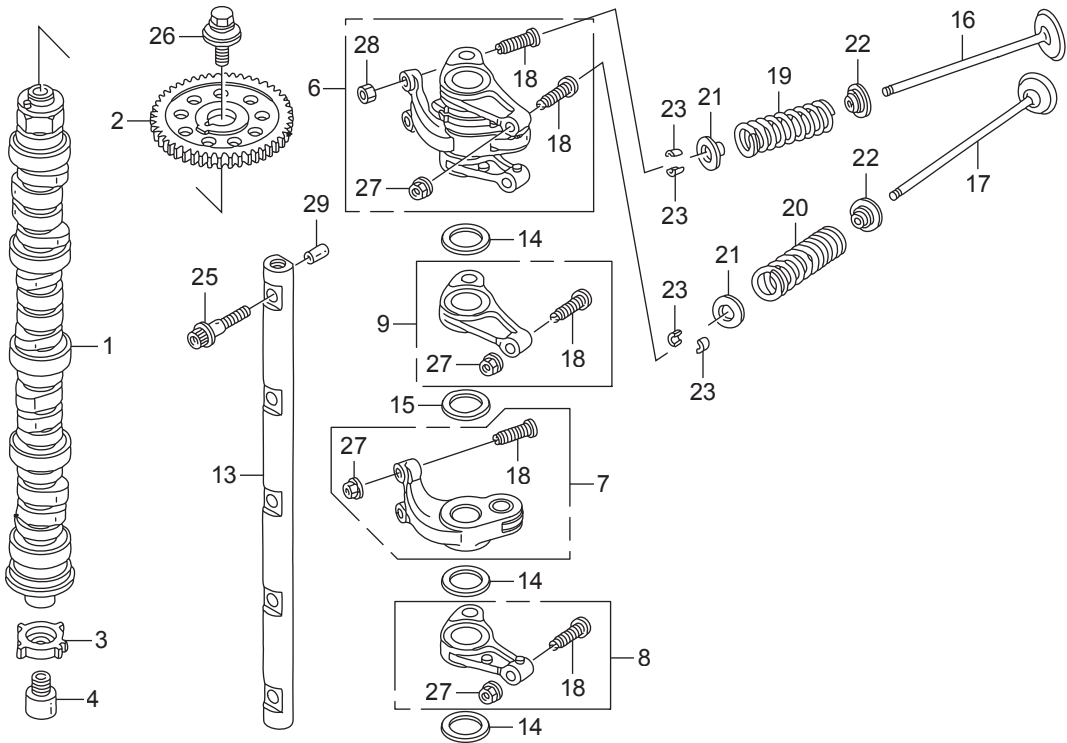
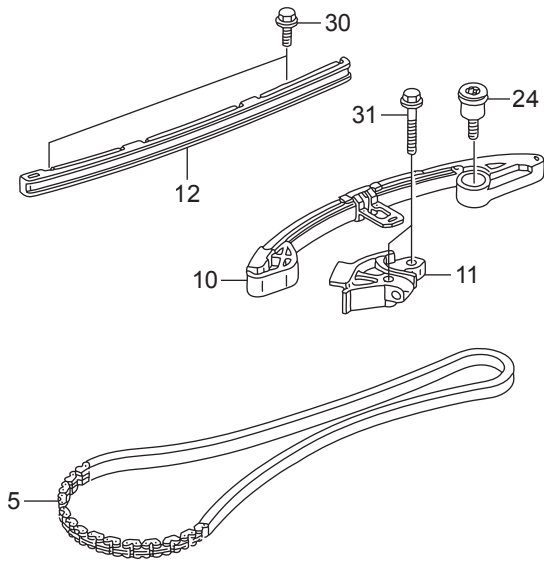




FR. →

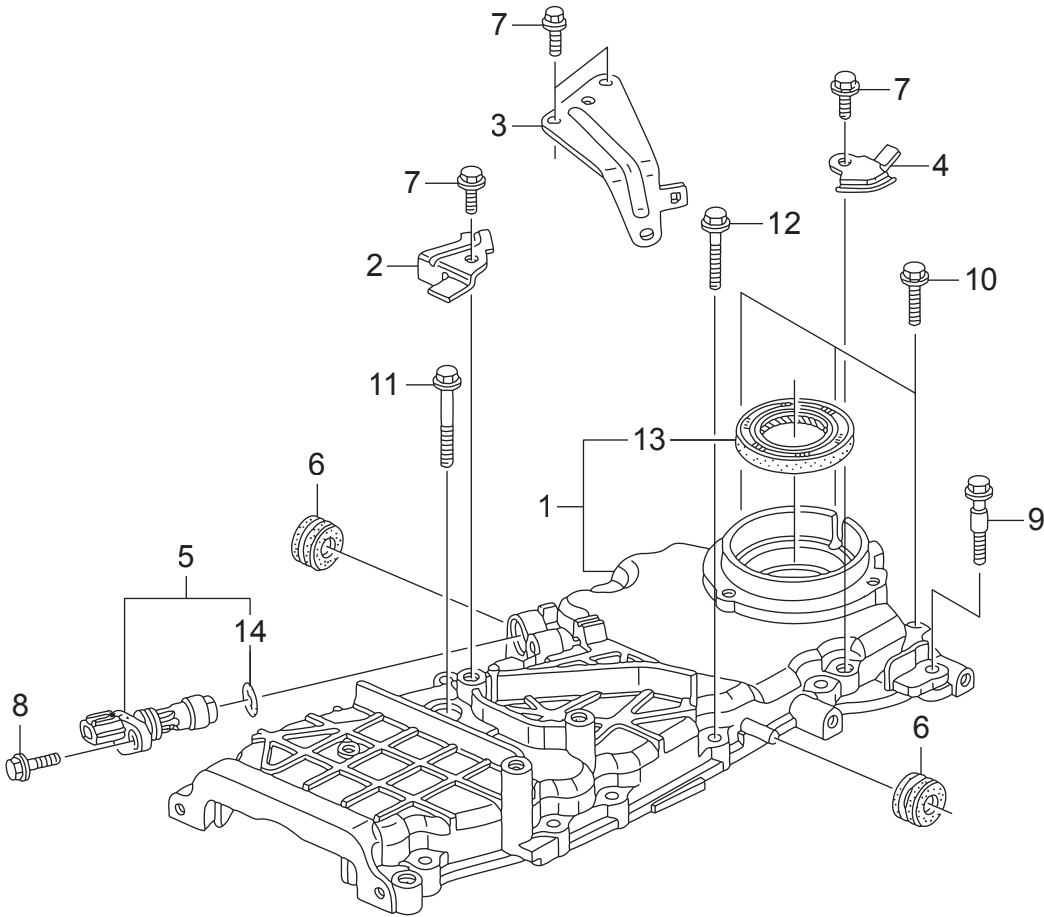


Ref.No.	Part No.	Description	Q'ty				Remarks
			BFT75A	BFT75AK1	BFT90A	BFT90AK1	
E-9	1	HZY9-14110-000	CAMSHAFT COMP.	1	1		
E-9	1	HZZ0-14110-000	CAMSHAFT COMP.			1	1
E-9	2	HRB0-14211-003	SPROCKET, CAM CHAIN DRIVEN	1	1	1	1 (46T)
E-9	3	HPWA-14221-003	PLATE, TDC PULSER	1	1	1	1
E-9	4	HZY9-14222-000	BOLT, TDC PULSER PLATE	1	1	1	1
E-9	5	HRB1-14401-003	CHAIN(132L)	1	1	1	1
E-9	6	HZZ0-14420-000	ARM ASSY., ROCKER			4	4
E-9	7	HZY9-14430-000	ARM COMP., IN. VALVE ROCKER	4	4		
E-9	8	HZY9-14441-000	ARM COMP., EX. ROCKER(A)	4	4		
E-9	9	HZY9-14442-000	ARM COMP., EX. ROCKER(B)	4	4		
E-9	10	HZY9-14510-003	TENSIONER COMP., CAM CHAIN	1	1	1	1
E-9	11	HZY9-14512-000	SLIDER COMP., CAM CHAIN TENSIONER	1	1	1	1
E-9	12	HRB1-14530-004	GUIDE COMP., CAM CHAIN	1	1	1	1
E-9	13	HPWC-14631-010	SHAFT COMP., ROCKER ARM	1	1	1	1
E-9	14	HPWA-14647-000	WASHER, THRUST	12	12		
E-9	15	HPY3-14647-000	WASHER, IN. WAVE	4	4		
E-9	16	HRB0-14711-000	VALVE, IN.	8	8	8	8
E-9	17	HPWC-14721-010	VALVE, EX.	8	8	8	8
E-9	18	HPM3-14744-000	SCREW, TAPPET ADJUSTING	16	16	16	16
E-9	19	HZY9-14751-H01	SPRING, IN. VALVE	8	8	8	8
E-9	20	HZY9-14752-003	SPRING, EX. VALVE	8	8	8	8
E-9	21	HRGA-14765-000	RETAINER, VALVE SPRING	16	16	16	16
E-9	22	HP08-14775-000	SEAT, VALVE SPRING	16	16	16	16
E-9	23	HRGM-14781-A01	COTTER, VALVE(FUJI VALVE)	32	32	32	32
E-9	24	HPNA-90003-000	BOLT, TENSIONER PIVOT	1	1	1	1
E-9	25	HPWC-90006-003	BOLT, ROCKER ARM SHAFT	5	5	5	5
E-9	26	HRNA-90031-A01	BOLT-WASHER, 10X30	1	1	1	1
E-9	27	HPM3-90206-004	NUT, TAPPET ADJUSTING	16	16	8	8 (TOKAI TRW)
E-9	28	HPT0-90206-004	NUT, TAPPET ADJUSTING			8	8





FR. 

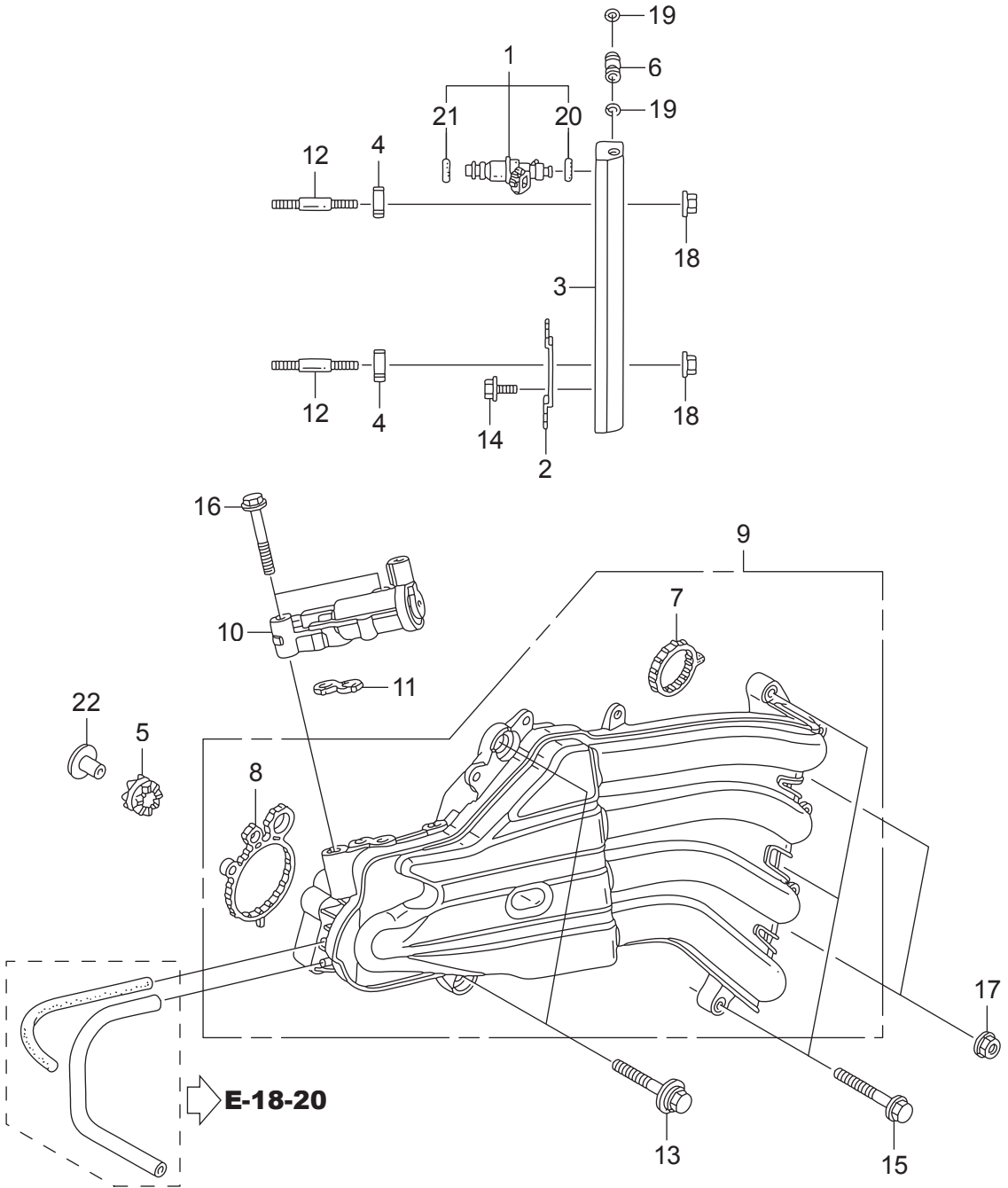






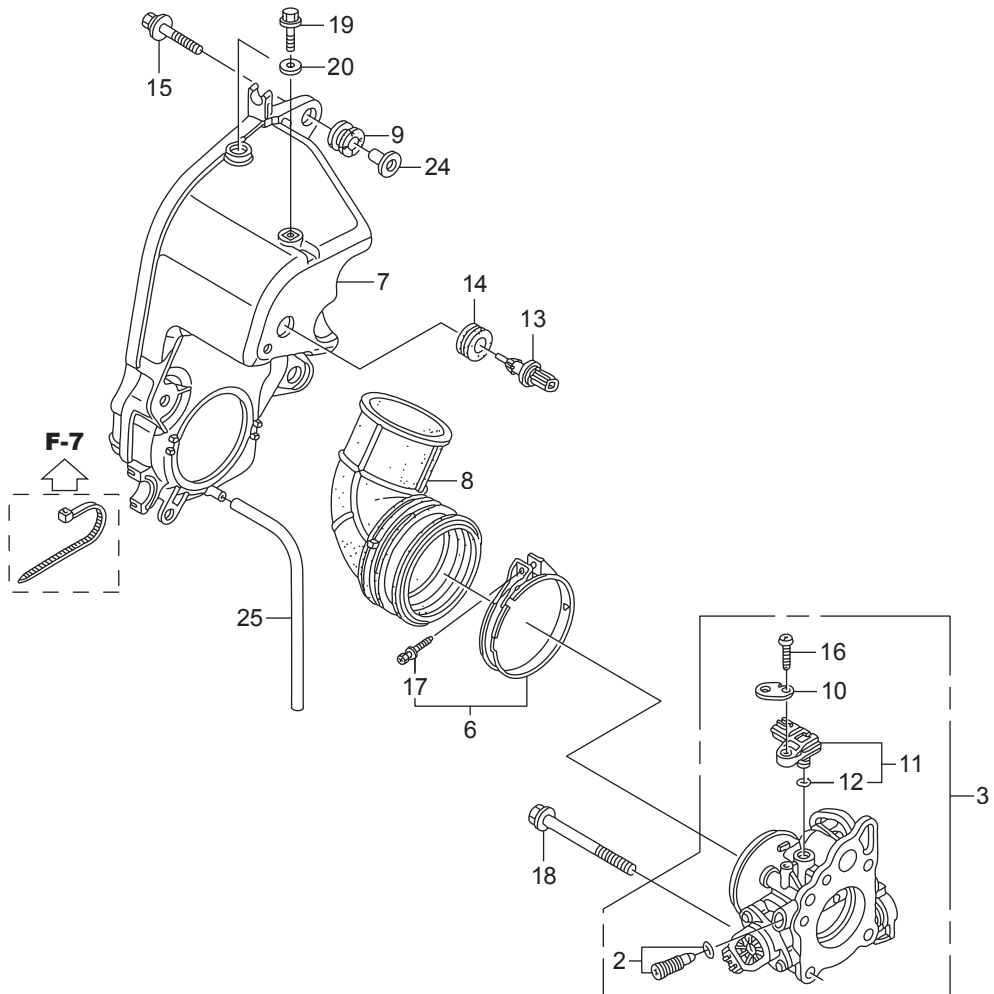
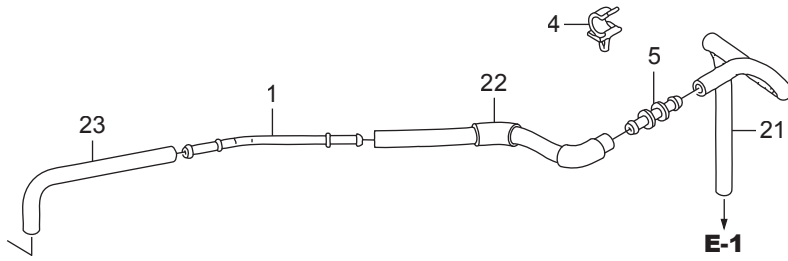


Ref.No.	Part No.	Description	Q'ty				Remarks
			BFT75A	BFT75AK1	BFT90A	BFT90AK1	
E-14	1	HZY9-16450-003	INJECTOR ASSY., FUEL	4	4	4	4
E-14	2	HZY9-16451-000	CLIP, INJECTOR	2	2	2	2
E-14	3	HZY9-16620-010	LINE COMP., FUEL	1	1	1	1
E-14	4	HPH3-16638-S00	INSULATOR, FUEL PIPE	2	2	2	2
E-14	5	HZY9-16733-000	GROMMET, VAPOR SEPARATOR	2	2	2	2
E-14	6	HZY3-16752-A00	JOINT, FUEL PIPE	1	1	1	1
E-14	7	HPWA-17105-007	PACKING, INTAKE MANIFOLD	4	4	4	4
E-14	8	HZY6-17109-000	PACKING, THROTTLE BODY	1	1	1	1
E-14	9	HZY9-17110-003	MANIFOLD COMP., INLET	1	1	1	1
E-14	10	HZY9-36550-003	VALVE ASSY., ELECTRONIC AIR CONTROL	1	1	1	1
E-14	11	HZY6-36551-003	PACKING, ELECTRONIC AIR CONTROL VALVE	1	1	1	1
E-14	12	HZY9-90003-000	BOLT, STUD, 6X40	2		2	
E-14	12	HZY9-90004-M00	BOLT, STUD, 6X40		2		2
E-14	13	HZW1-90014-000	BOLT-WASHER, 8X35	2		2	
E-14	13	HZY9-90014-M00	BOLT-WASHER, 8X35		2		2
E-14	14	HZY3-90042-000	BOLT, FLANGE, 6X10	4		4	
E-14	14	HZY9-90042-M00	BOLT, FLANGE, 6X10		4		4
E-14	15	HZY3-90054-000	BOLT, FLANGE, 8X35	3		3	
E-14	15	HZY9-90054-M00	BOLT, FLANGE, 8X35		3		3
E-14	16	HZW4-90126-000	BOLT, FLANGE, 8X45	2		2	
E-14	16	HZZ5-90026-M00	BOLT, FLANGE, 8X45		2		2
E-14	17	HZY3-90205-000	NUT, FLANGE, 8MM	2		2	
E-14	17	HZY9-90205-M00	NUT, FLANGE, 8MM		2		2
E-14	18	HZW2-90301-F00	NUT, FLANGE, 6MM	2		2	
E-14	18	HZZ5-90201-M00	NUT, FLANGE, 6MM		2		2
E-14	19	HMJ0-91301-003	O-RING, 7.8X1.9(ARAI)	2	2	2	2
E-14	20	HPLC-91301-000	O-RING, 7.47X3.6	4	4	4	4
E-14	21	HPNA-91302-003	O-RING, 7.45X3.61(NOK)	4	4	4	4
E-14	22	HZW1-91554-000	COLLAR, 8.5X14.5	2		2	



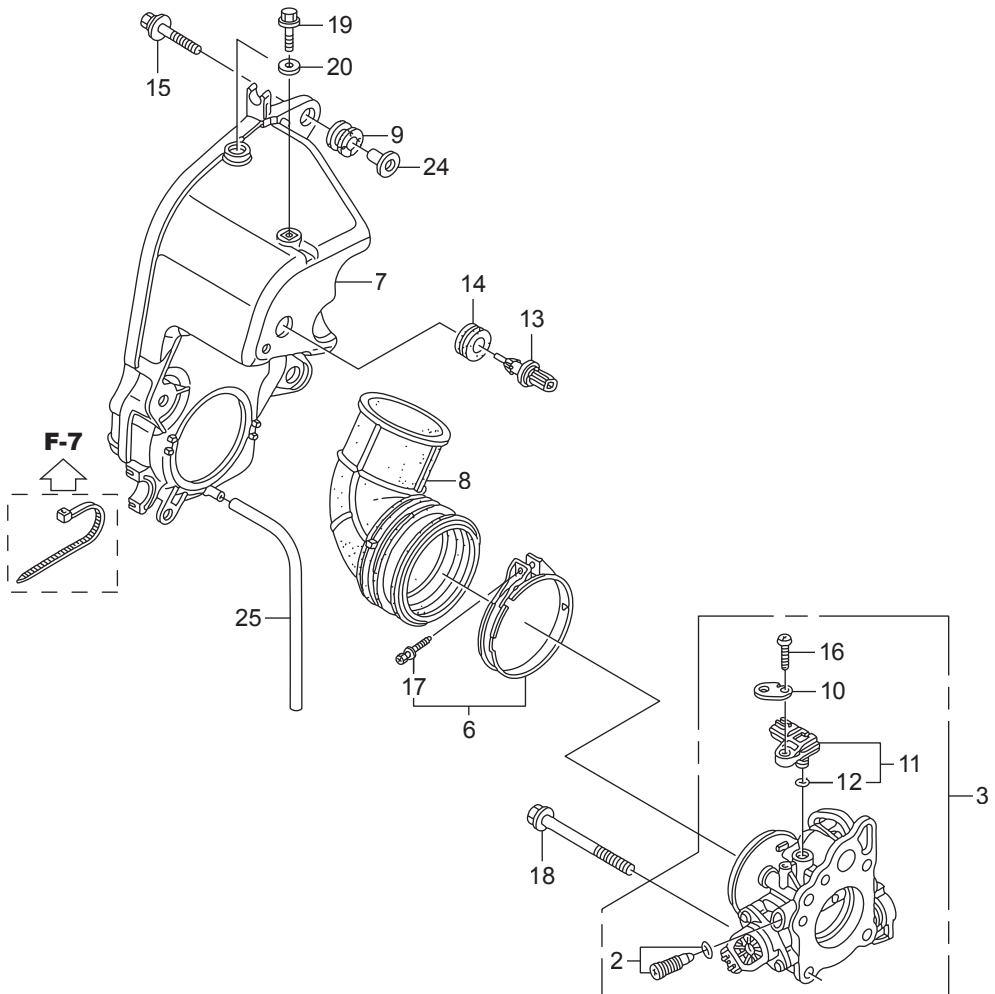
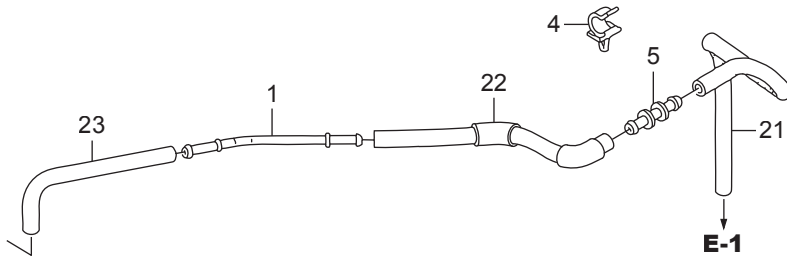
←FR.





FR.

Ref.No.	Part No.	Description	Q'ty				Remarks	
			BFT75A	BFT75AK1	BFT90A	BFT90AK1		
E-15	1	HZY9-15171-000	PIPE, BREATHER	1	1	1	1	
E-15	2	HZY6-16016-003	SCREW SET	1	1	1	1	
E-15	3	HZY9-16400-H01	THROTTLE BODY ASSY.	1	1	1	1	
E-15	4	HZY9-16896-003	CLAMP B, FUEL TUBE	1	1	1	1	
E-15	5	HMR5-16966-000	JOINT, FUEL TUBE	1	1	1	1	
E-15	6	HZY9-17315-000	BAND, AIR FLOW	1		1		
E-15	6	HZY9-17315-M00	BAND, AIR FLOW		1		1	
E-15	7	HZY9-17371-000	CASE COMP., SILENCER	1	1			
E-15	7	HZY9-17371-H00	CASE COMP., SILENCER			1	1	
E-15	8	HZY9-17374-000	GROMMET, SILENCER	1	1	1	1	
E-15	9	HZY9-30419-003	GROMMET, ELECTRONIC PARTS CASE	2	2	2	2	
E-15	10	HZY3-32128-000	BRACKET, SENSOR CORD	1	1	1	1	
E-15	11	HRNA-37830-A01	SENSOR ASSY., MAP	1	1	1	1	
E-15	12	HPGK-37835-A01	O-RING	1	1	1	1	
E-15	13	HPLC-37880-004	SENSOR ASSY., AIR TEMP	1	1			(MATSUSHITA DENSHI)
E-15	13	HRE1-37880-Z01	SENSOR ASSY., AIR TEMPERATURE			1	1	
E-15	14	HP2A-37881-000	GROMMET, TA SENSOR	1	1	1	1	
E-15	15	HZW2-90003-000	BOLT-WASHER, 6X27(CT200)	2		2		
E-15	15	HZZ5-90003-M00	BOLT-WASHER, 6X27(CT200)		2		2	
E-15	16	HZY6-90006-000	SCREW, PAN, 5X18	1	1	1	1	
E-15	17	HZY9-90017-000	BOLT-WASHER, 5X30	1		1		
E-15	18	HZV1-90127-010	BOLT, FLANGE, 8X60	4		4		
E-15	18	HZY9-90027-M00	BOLT, FLANGE, 8X60		4		4	
E-15	19	HZW4-90169-000	BOLT, FLANGE, 6X25	1		1		
E-15	19	HZY9-90069-M00	BOLT, FLANGE, 6X25		1		1	
E-15	20	HZY3-90508-000	WASHER, PLAIN, 6MM	1		1		
E-15	20	HZZ5-90508-M00	WASHER, PLAIN, 6MM		1		1	
E-15	21	HZY9-91403-000	TUBE A, BREATHER	1	1	1	1	
E-15	22	HZY9-91404-000	TUBE B, BREATHER	1	1	1	1	



FR.

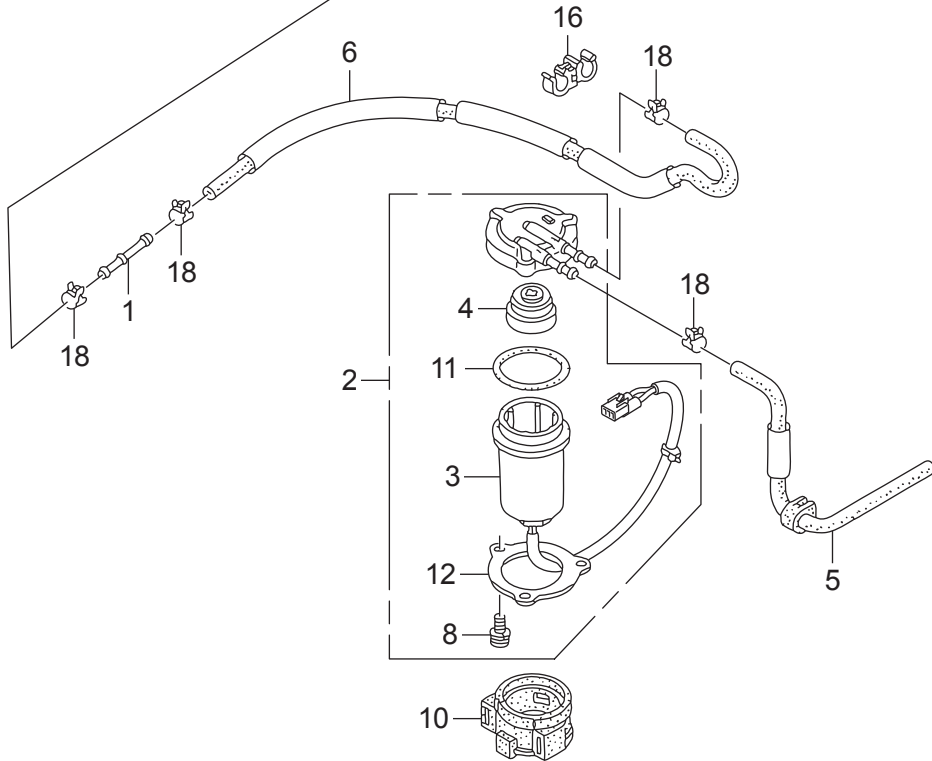
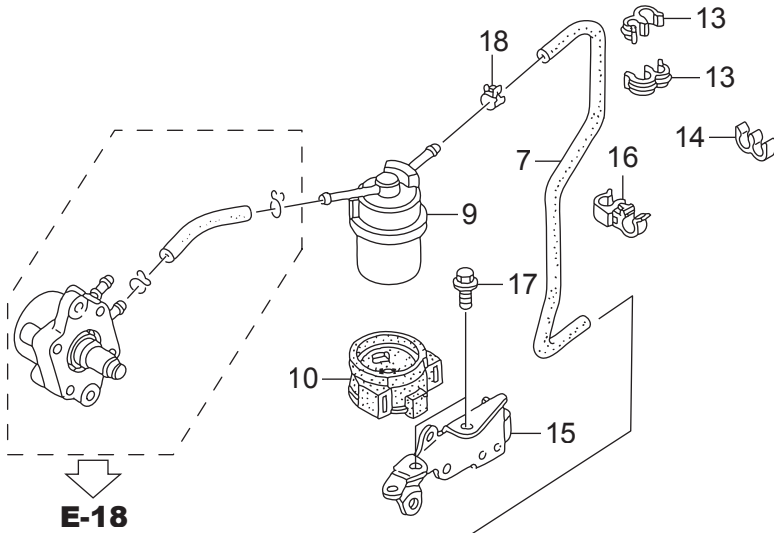




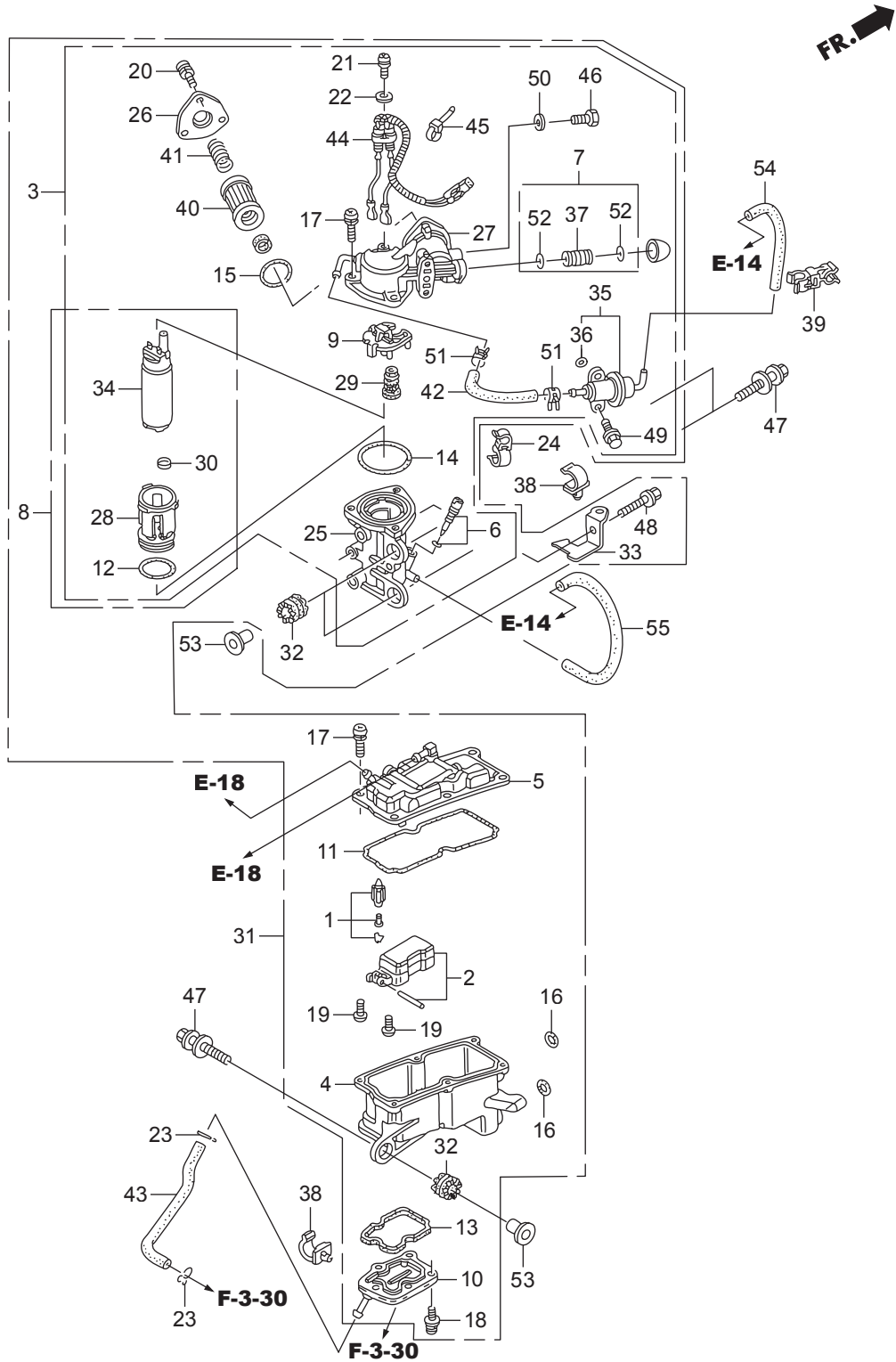


Ref.No.	Part No.	Description	Q <sup>ty</sup>				Remarks	
			BFT75A	BFT75AK1	BFT90A	BFT90AK1		
E-18	1	HZY9-06167-000	PUMP ASSY KIT, FUEL	1	1	1	1	
E-18	2	HZY9-16195-000	TUBE A, CHECK VALVE	1	1	1	1	
E-18	3	HZY9-16196-000	TUBE B, CHECK VALVE	1	1	1	1	
E-18	4	HZY9-16197-000	TUBE A, AIR VENT	1	1	1	1	
E-18	5	HZY9-16198-000	TUBE B, AIR VENT	1	1	1	1	
E-18	6	HZY9-16199-000	TUBE C, AIR VENT	1	1	1	1	
E-18	7	HZY9-16700-013	PUMP ASSY., FUEL	1	1	1	1	
E-18	8	HZY9-16755-003	HOSE COMP., FUEL	1	1	1	1	
E-18	9	HZY9-16756-000	GROMMET, FUEL HOSE	1	1	1	1	
E-18	10	HZY9-16816-000	BRACKET, FUEL TUBE CLAMP	1	1	1	1	
E-18	11	HZY9-16881-010	TUBE D, FUEL	1	1	1	1	
E-18	12	HZY9-16891-000	TUBE E, FUEL	1	1	1	1	
E-18	13	HZY9-16895-003	CLAMP A, FUEL TUBE	2	2	2	2	
E-18	14	HZY9-16896-003	CLAMP B, FUEL TUBE	7	7	7	7	
E-18	15	HZV4-16910-015	STRAINER COMP., FUEL	1	1	1	1	
E-18	16	HZY6-19269-000	T-JOINT	1	1	1	1	
E-18	17	HZY6-36135-003	VALVE, CHECK	1	1	1	1	
E-18	18	HP3F-36533-A01	CLAMP, OXYGEN SENSOR	1	1	1	1	
E-18	19	HZW9-90003-000	BOLT, FLANGE, 6X22	2		2		
E-18	19	HZY9-90003-M00	BOLT, FLANGE, 6X22		2		2	
E-18	20	HZW9-90011-000	BOLT, FLANGE, 6X14(CT200)	2		2		
E-18	20	HZZ5-90011-M00	BOLT, FLANGE, 6X14(CT200)		2		2	
E-18	21	HZW9-90016-000	BOLT, FLANGE, 6X25	2		2		
E-18	21	HZZ5-90014-M00	BOLT, FLANGE, 6X25		2		2	
E-18	22	HZV0-90604-000	CLIP, TUBE(B12)	4	4	4	4	
E-18	23	HZW9-91303-000	O-RING, 31.2X2.4	1	1	1	1	

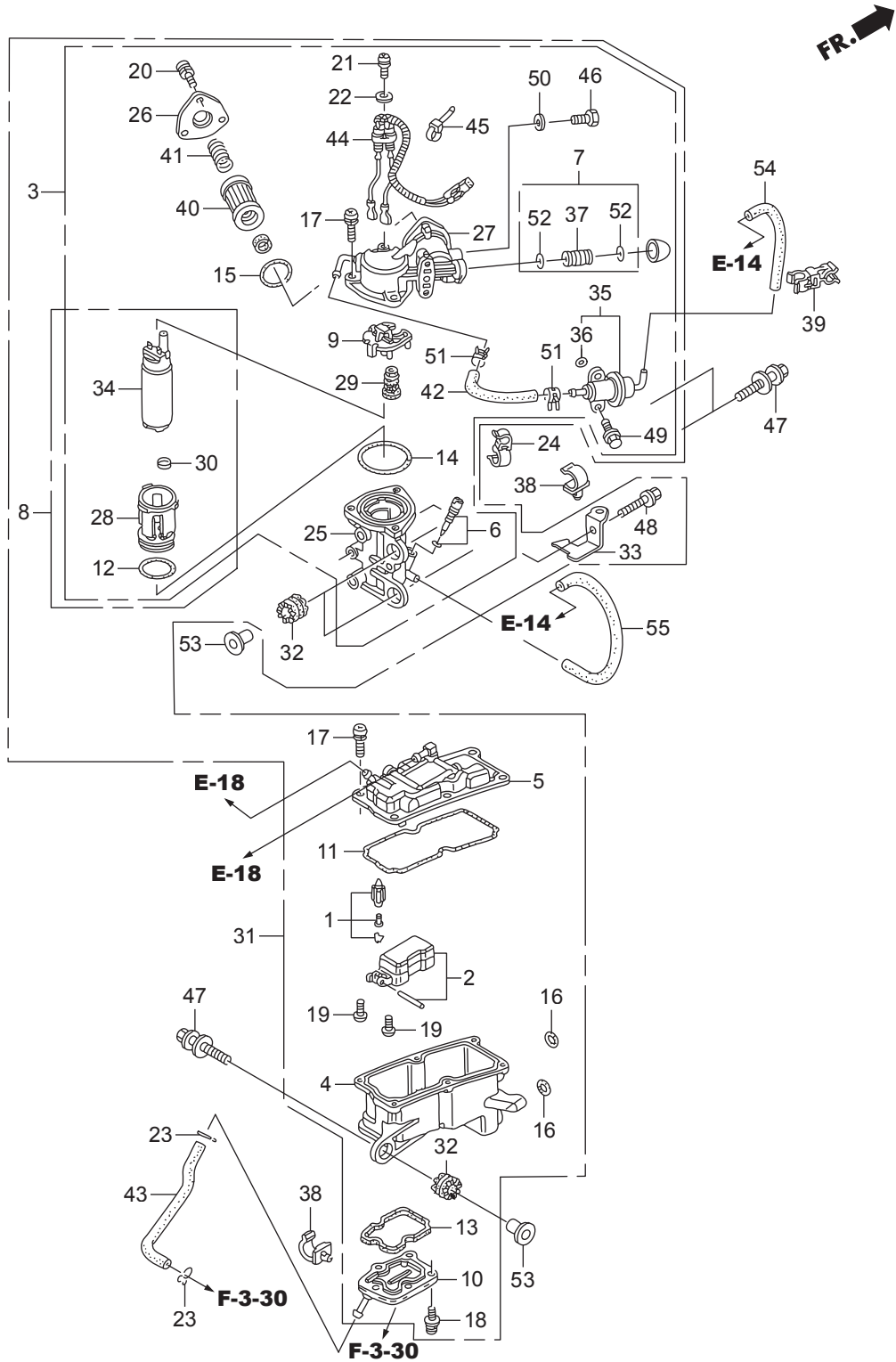
FR. 







Ref.No.	Part No.	Description	Q'ty				Remarks	
			BFT75A	BFT75AK1	BFT90A	BFT90AK1		
E-18-20	1	HZY3-16011-A01	VALVE SET, FLOAT	1	1	1	1	
E-18-20	2	HZY9-16013-000	FLOAT SET	1	1	1	1	
E-18-20	3	HZY9-16017-040	PUMP UNIT, FUEL(A)	1		1		
E-18-20	3	HZY9-16017-M00	PUMP UNIT, FUEL(A)		1		1	
E-18-20	4	HZY9-16019-003	BODY	1	1	1	1	
E-18-20	5	HZY9-16020-013	COVER COMP.	1	1	1	1	
E-18-20	6	HZY3-16024-000	SCREW SET, DRAIN	1	1	1	1	
E-18-20	7	HZY3-16026-000	JOINT SET	1	1	1	1	
E-18-20	8	HZY6-16036-003	PUMP UNIT, FUEL(B)	1	1	1	1	
E-18-20	9	HZY9-16042-013	HOLDER	1	1	1	1	
E-18-20	10	HZY9-16061-003	COVER, WATER JACKET	1	1	1	1	
E-18-20	11	HZY9-16071-003	O-RING	1	1	1	1	
E-18-20	12	HZY3-16072-000	O-RING	1	1	1	1	
E-18-20	13	HZY9-16072-003	PACKING	1	1	1	1	
E-18-20	14	HZY3-16073-000	O-RING	1	1	1	1	
E-18-20	15	HZY9-16073-003	O-RING	1	1	1	1	
E-18-20	16	HZY3-16077-000	O-RING	2	2	2	2	
E-18-20	17	HZW5-16081-010	SCREW-WASHER	9	9	9	9	
E-18-20	18	HZY9-16081-003	SCREW-WASHER	5	5	5	5	
E-18-20	19	HZY3-16082-000	SCREW, PAN	2	2	2	2	
E-18-20	20	HZY9-16082-003	SCREW-WASHER	3	3	3	3	
E-18-20	21	HZY3-16083-000	SCREW, WASHER	1	1	1	1	
E-18-20	22	HZY3-16087-000	WASHER, PLAIN	1	1	1	1	
E-18-20	23	HGHB-16163-610	CLIP, TUBE	2	2	2	2	
E-18-20	24	HZY3-16193-A00	CLAMP, CHECK VALVE	1	1	1	1	
E-18-20	25	HZY9-16701-003	CASE, PUMP	1	1	1	1	
E-18-20	26	HZY9-16708-003	COVER, PUMP(B)	1	1	1	1	
E-18-20	27	HZY9-16715-013	COVER, PUMP(A)	1	1	1	1	
E-18-20	28	HZY6-16718-013	INSULATOR COMP.	1	1	1	1	

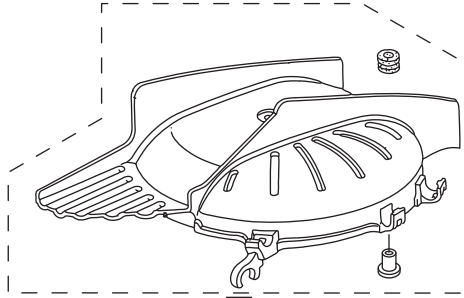


Ref.No.	Part No.	Description	Q'ty				Remarks
			BFT75A	BFT75AK1	BFT90A	BFT90AK1	
E-18-20	29	HZY9-16721-003	INSULATOR	1	1	1	1
E-18-20	30	HZY6-16723-003	RING	1	1	1	1
E-18-20	31	HZY9-16730-063	SEPARATOR ASSY., VAPOR	1		1	
E-18-20	31	HZY9-16730-M01	SEPARATOR ASSY., VAPOR		1		1
E-18-20	32	HZY9-16733-000	GROMMET, VAPOR SEPARATOR	3	3	3	3
E-18-20	33	HZY9-16734-010	STAY, FUEL TUBE	1	1	1	1
E-18-20	34	HZW5-16735-003	PUMP UNIT, FUEL	1	1	1	1
E-18-20	35	HZY9-16740-003	REGULATOR ASSY., PRESSURE	1	1	1	1
E-18-20	36	HPG7-16741-005	O-RING, PRESSURE REGULATOR	1	1	1	1
E-18-20	37	HZY3-16752-000	JOINT, FUEL PIPE	1	1	1	1
E-18-20	38	HZY9-16896-003	CLAMP B, FUEL TUBE	2	2	2	2
E-18-20	39	HZY9-16898-003	CLAMP D, FUEL TUBE	1	1	1	1
E-18-20	40	HZY3-16911-010	SCREEN COMP., FUEL STRAINER	1	1	1	1
E-18-20	41	HZY9-16913-003	SPRING, COMPRESSION	1	1	1	1
E-18-20	42	HZY9-17723-F00	HOSE, PRESSURE REGULATOR RETURN	1	1	1	1
E-18-20	43	HZY9-19255-000	TUBE A, WATER	1	1	1	1
E-18-20	44	HZY9-32166-013	HARNESS COMP.	1	1	1	1
E-18-20	45	HZW5-32168-003	BAND	1	1	1	1
E-18-20	46	HPP4-90009-E01	BOLT, SEALING, 6MM	1	1	1	1
E-18-20	47	HZW1-90014-000	BOLT-WASHER, 8X35	3		3	
E-18-20	47	HZY9-90014-M00	BOLT-WASHER, 8X35		3		3
E-18-20	48	HZW9-90016-000	BOLT, FLANGE, 6X25	3		3	
E-18-20	48	HZZ5-90014-M00	BOLT, FLANGE, 6X25		3		3
E-18-20	49	HZY3-90021-000	BOLT, FLANGE, 6X14	2		2	
E-18-20	49	HZZ5-90021-M00	BOLT, FLANGE, 6X14		2		2
E-18-20	50	HPD6-90430-003	WASHER, SEALING, 6MM	1	1	1	1
E-18-20	51	HZW5-90601-030	CLAMP, TUBE(D10.7)	2	2	2	2
E-18-20	52	HMJ0-91301-003	O-RING, 7.8X1.9(ARAI)	2	2	2	2
E-18-20	53	HZW1-91554-000	COLLAR, 8.5X14.5	3		3	

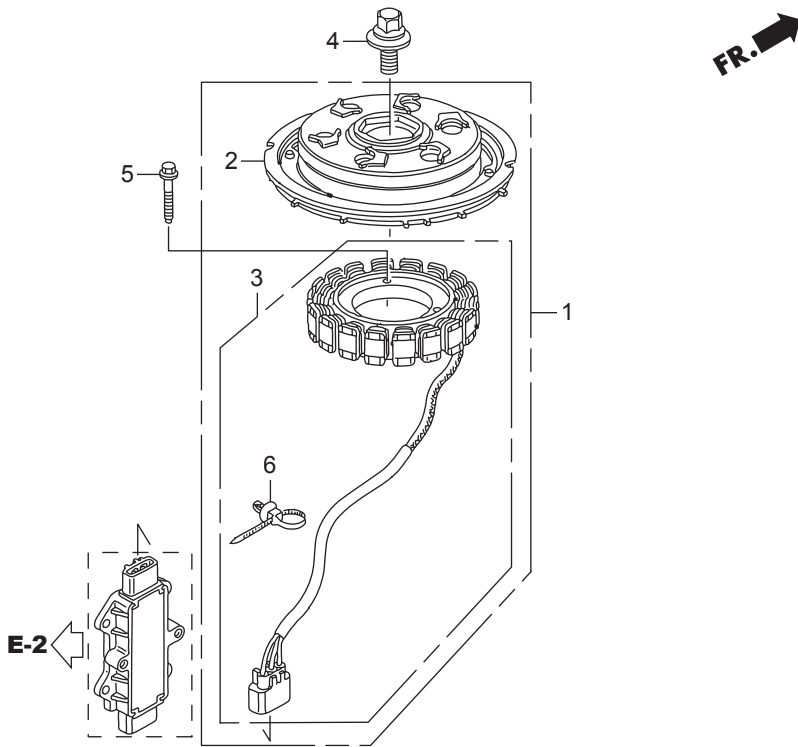




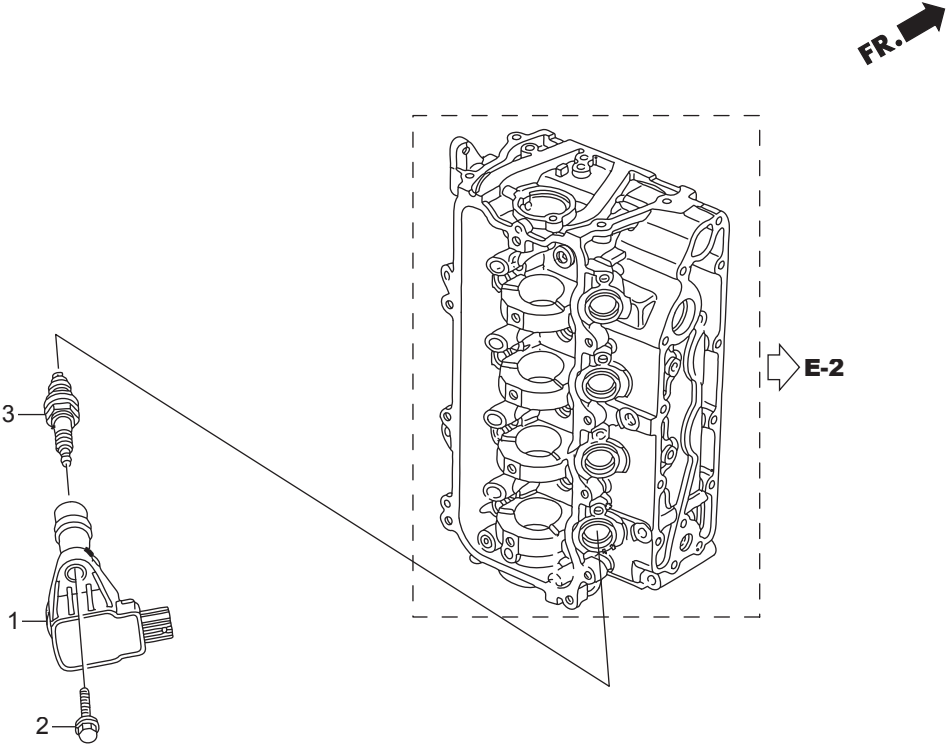




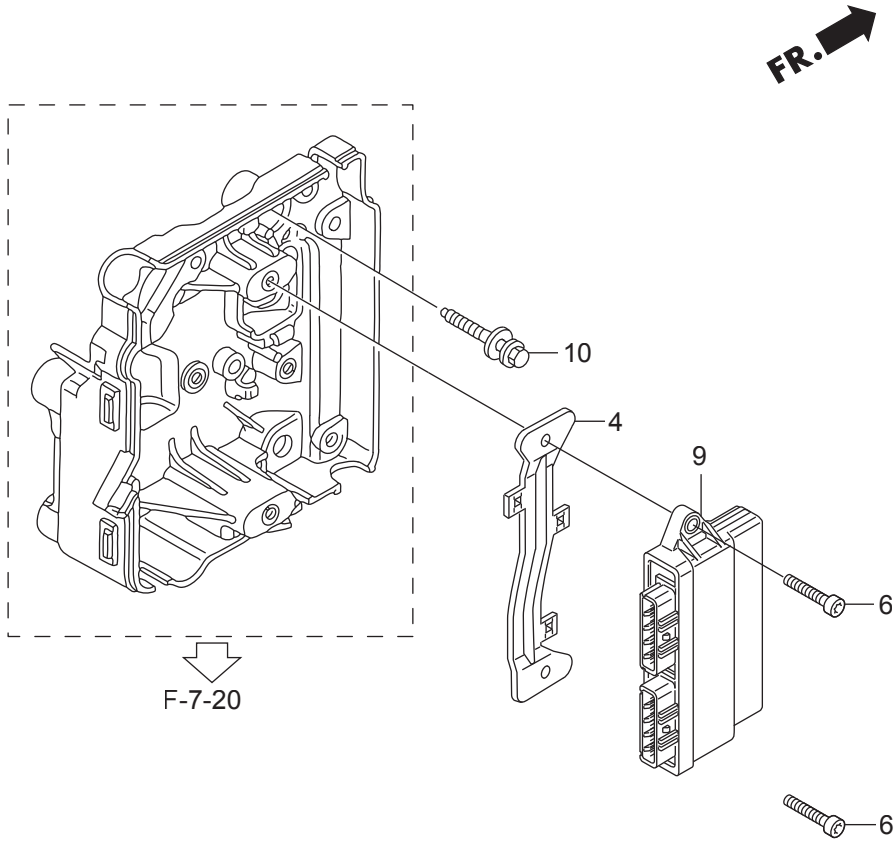
F-7-30



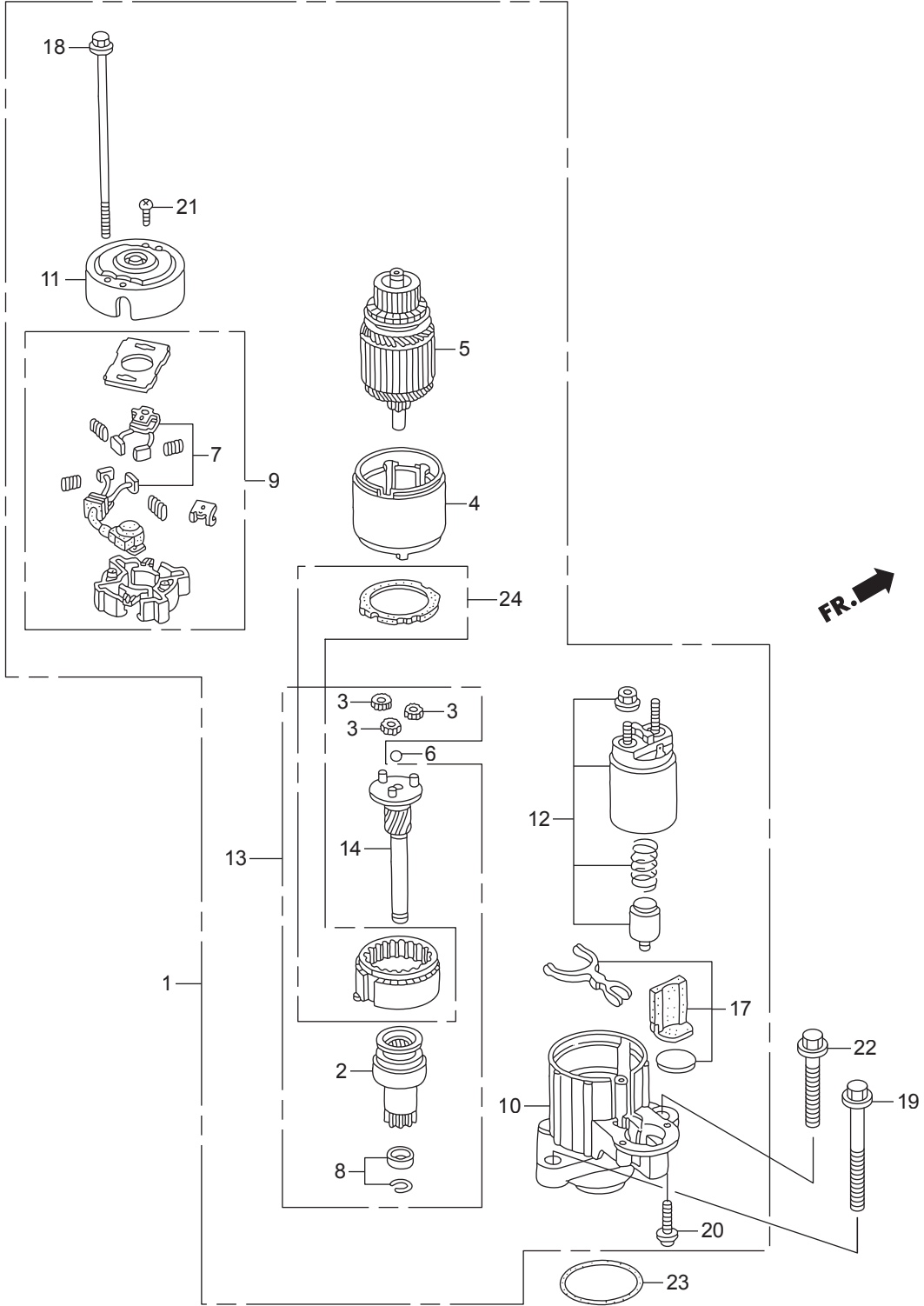






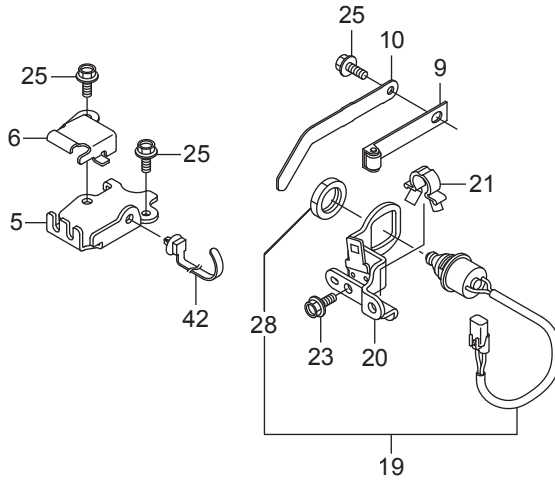




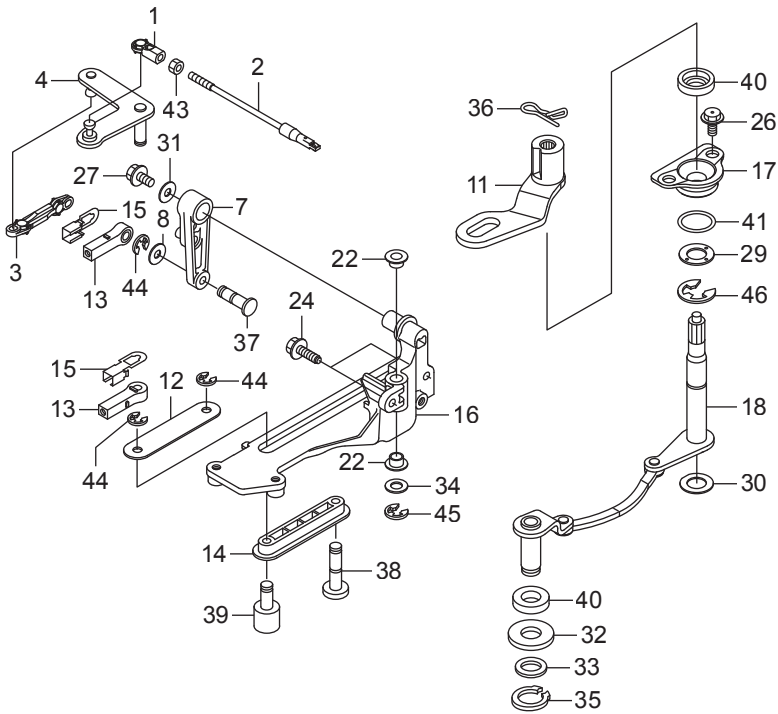




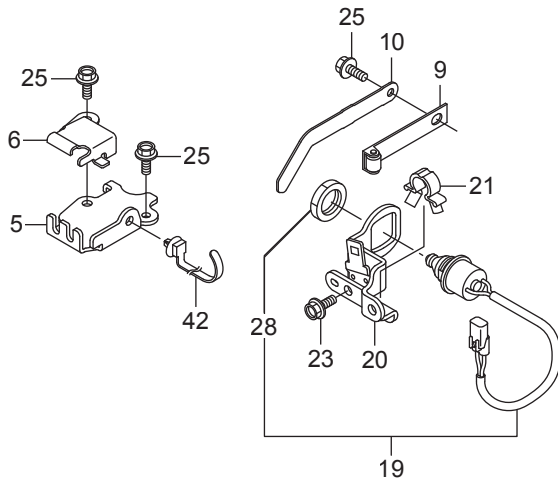
Ref.No.	Part No.	Description	Q'ty				Remarks
			BFT75A	BFT75AK1	BFT90A	BFT90AK1	
E-21	1	HZY9-31200-H01	MOTOR ASSY., STARTER	1	1	1	1
E-21	2	HZY9-31207-H01	CLUTCH COMP., OVERRUNNING	1	1	1	1
E-21	3	HPY3-31215-004	GEAR ASSY., PLANETARY	3	3	3	3
E-21	4	HZY9-31216-003	YOKE COMP.	1	1	1	1
E-21	5	HZW1-31217-004	ROTOR COMP.	1	1	1	1
E-21	6	HPY3-31218-004	BALL, STEEL	1	1	1	1
E-21	7	HZY9-31227-H01	BRUSH SET	1	1	1	1
E-21	8	HZY9-31229-H01	STOPPER SET, SLEEVE	1	1	1	1
E-21	9	HZY9-31231-H01	HOLDER COMP., BRUSH	1	1	1	1
E-21	10	HZY6-31235-003	BRACKET, FR.	1	1	1	1
E-21	11	HZY6-31236-003	BRACKET, RR.	1	1	1	1
E-21	12	HZY9-31240-003	SWITCH ASSY., MAGNET	1	1	1	1
E-21	13	HZY9-31242-H01	SHAFT ASSY., CLUTCH	1	1	1	1
E-21	14	HZY9-31246-H01	SHAFT ASSY., GEAR	1	1	1	1
E-21	17	HZW1-31250-004	LEVER SET	1	1	1	1
E-21	18	HZW1-31261-004	BOLT A, THROUGH	2	2	2	2
E-21	19	HZY6-90013-000	BOLT, FLANGE, 10X75	1		1	
E-21	19	HZY9-90013-M00	BOLT, FLANGE, 10X75		1		1
E-21	20	HZY9-31226-H01	SCREW, PAN, 6X22	2	2	2	2
E-21	21	HZW1-90107-004	SCREW, PAN, 5X8	2	2	2	2
E-21	22	HZW4-90159-000	BOLT, FLANGE, 10X35	1		1	
E-21	22	HZY9-90059-M00	BOLT, FLANGE, 10X35		1		1
E-21	23	HZY3-91303-000	O-RING, 59.4X3.1	1	1	1	1
E-21	24	HZY9-31251-H01	GEAR ASSY., INTERNAL	1	1	1	1



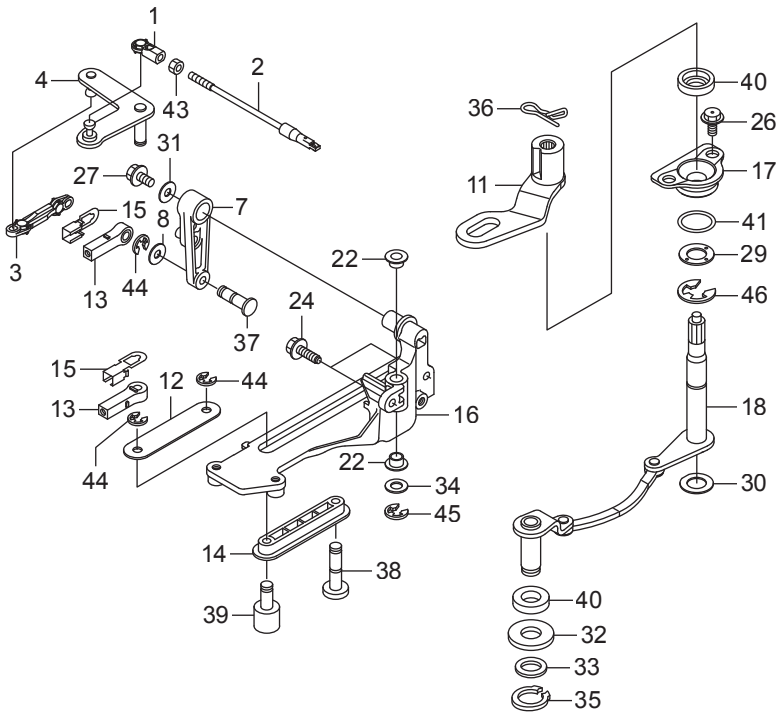
FR.



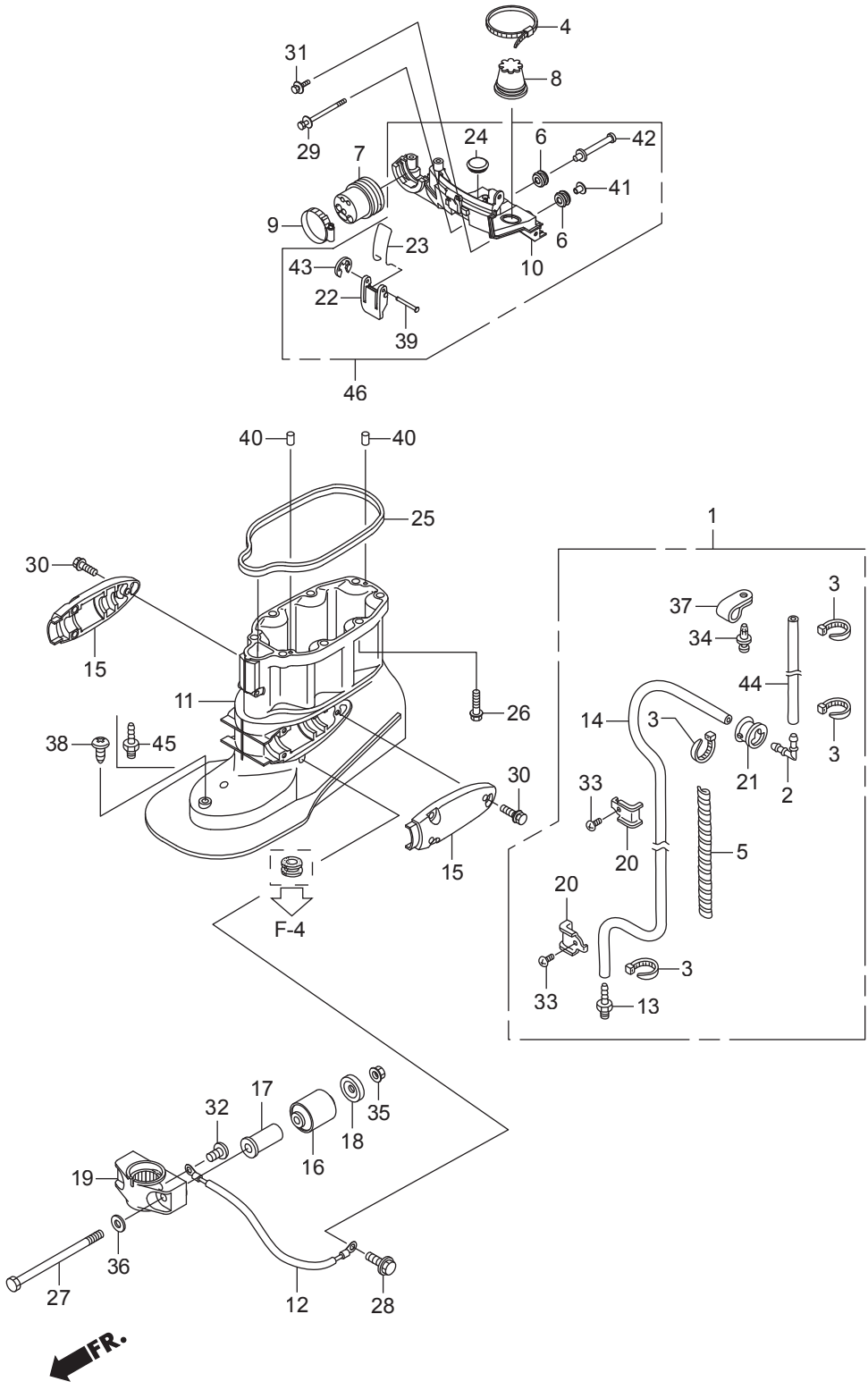
Ref.No.	Part No.	Description	Q'ty				Remarks	
			BFT75A	BFT75AK1	BFT90A	BFT90AK1		
F-2	1	HZV5-17838-000	LINKAGE, PIVOT	1	1	1	1	
F-2	2	HZY9-17840-000	ROD COMP., THROTTLE	1	1	1	1	
F-2	3	HZY6-17845-000	LINK, THROTTLE	1	1	1	1	
F-2	4	HZY9-17860-000	PLATE COMP., THROTTLE	1	1	1	1	
F-2	5	HZY9-17877-000	PLATE, REMOTE CONTROL CABLE	1	1	1	1	
F-2	6	HZY9-17878-000	COVER, REMOTE CONTROL CABLE	1	1	1	1	
F-2	7	HZY6-17931-000	ARM, THROTTLE	1	1	1	1	
F-2	8	H921-17936-000	WASHER, PIVOT	1	1	1	1	
F-2	9	HZW1-24210-010	SPRING COMP., CLICK	1	1	1	1	
F-2	10	HZY9-24221-000	SPRING, CLICK ASSIST	1	1	1	1	
F-2	11	HZY9-24612-000	ARM, SHIFT	1	1	1	1	
F-2	12	HZY9-24614-000	PLATE, SHIFT PIVOT	1	1	1	1	
F-2	13	HZY3-24618-000	PIVOT, SHIFT	2	2	2	2	
F-2	14	HZY9-24618-000	PIVOT, SHIFT SLIDE	1	1	1	1	
F-2	15	HZY3-24619-000	PLATE, LOCK	2	2	2	2	
F-2	16	HZY9-24628-000	BRACKET, SHIFT LINK	1	1	1	1	
F-2	17	HZW1-24629-000	HOLDER, SEAL	1	1	1	1	
F-2	18	HZY9-24630-000	SHAFT COMP., SHIFT	1	1	1	1	
F-2	19	HZY9-35470-023	SWITCH ASSY., NEUTRAL	1	1	1	1	
F-2	20	HZY9-35475-010	BRACKET, NEUTRAL SWITCH	1	1	1	1	
F-2	21	HVM0-46391-003	CLIP, BRAKE PIPE(A)	1	1	1	1	
F-2	22	HZY3-63205-000	BUSH A, COVER LOCK	2	2	2	2	
F-2	23	HZW9-90011-000	BOLT, FLANGE, 6X14(CT200)	1		1		
F-2	23	HZZ5-90011-M00	BOLT, FLANGE, 6X14(CT200)		1		1	
F-2	24	HZV0-90017-C10	BOLT, FLANGE, 6X18(CT200)	2		2		
F-2	24	HZZ5-90104-M00	BOLT, FLANGE, 6X18(CT200)		2		2	
F-2	25	HZY3-90017-000	BOLT, FLANGE, 6X16	3	3	3	3	
F-2	26	HZW5-90023-000	BOLT, FLANGE, 6X11	2		2		
F-2	26	HZZ0-90101-M00	BOLT, FLANGE, 6X11		2		2	



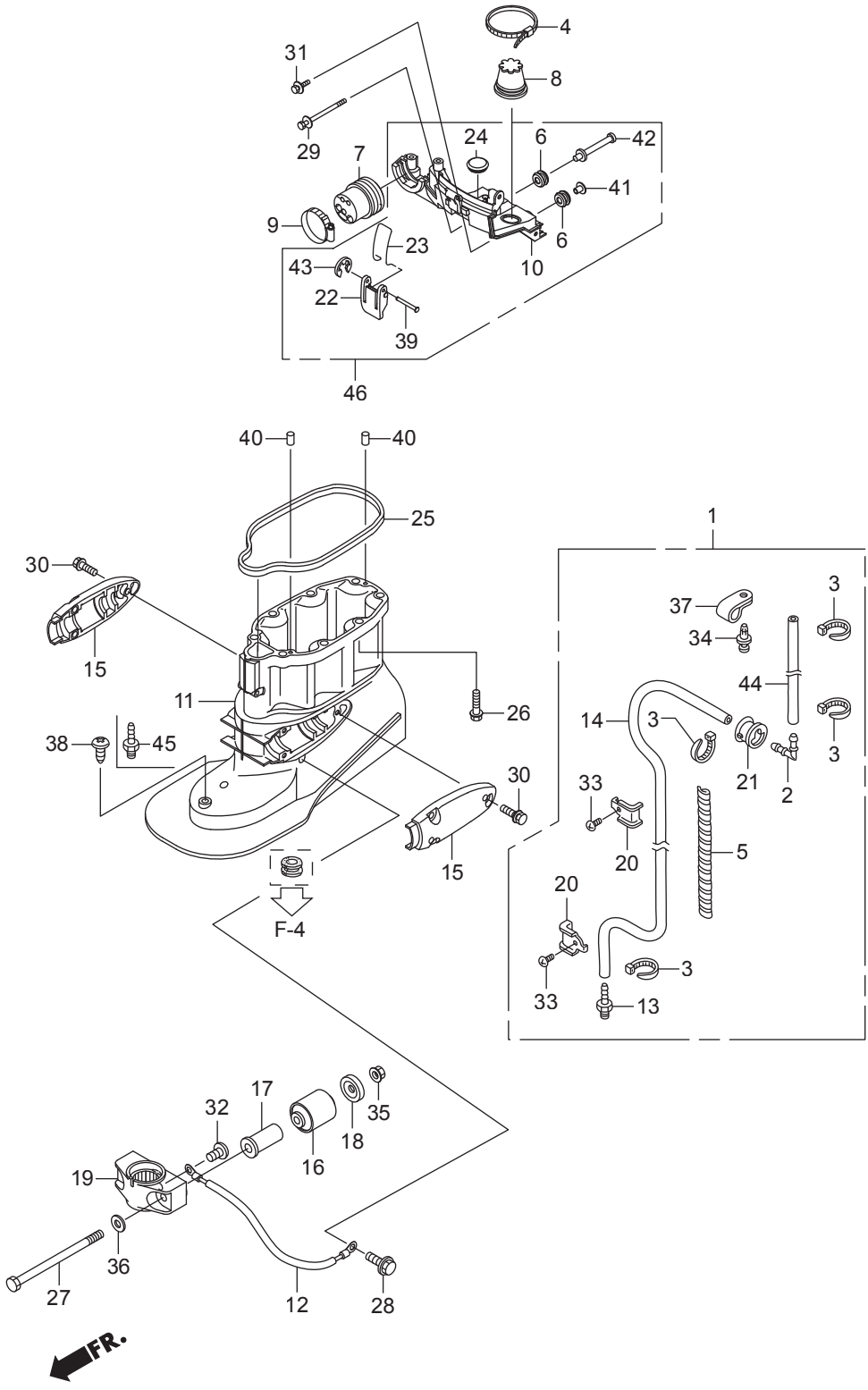
FR.







Ref.No.	Part No.	Description	Q'ty				Remarks	
			BFT75A	BFT75AK1	BFT90A	BFT90AK1		
F-3	1	HZY9-06411-010	TUBE KIT, SPEED SENSOR	1	1	1	1	
F-3	2	HGE1-17357-670	JOINT A, BREATHER	1	1	1	1	
F-3	3	HKM3-32161-003	BAND, WIRE	4	4	4	4	
F-3	4	HMG9-35701-950	BAND(BLACK 3.5X140)	1	1	1	1	
F-3	5	HZY6-36104-003	TUBE, SPIRAL	1	1	1	1	
F-3	6	HZV5-40102-000	GROMMET, UNDER CASE	3	3	3	3	
F-3	7	HZY9-40105-000	GROMMET, REMOTE CONTROL CABLE	1	1	1	1	
F-3	8	HZW1-40107-700	GROMMET, UNDER CASE(C)	1	1	1	1	
F-3	9	HZY3-40119-003	BAND, UNDER CASE GROMMET	1	1	1	1	
F-3	10	HZY9-40154-000ZC	BRACKET, FR. UNDER COVER	1	1	1	1	*T107* BAY BLUE
F-3	11	HZY9-40201-020ZC	CASE, EXTENSION	1	1	1	1	*T107* BAY BLUE
F-3	12	HZY6-40219-023	WIRE, LEAD(1.5X137MM)	1	1	1	1	
F-3	13	HZV5-41172-000	NIPPLE, SENSOR	1	1	1	1	
F-3	14	HZY9-41173-000	TUBE, SPEED SENSOR	1	1	1	1	
F-3	15	HZY9-50111-000ZC	HOUSING, LOWER MOUNTING	2	2	2	2	*T107* BAY BLUE
F-3	16	HZZ0-50155-000	MOUNT COMP., LOWER RUBBER	2	2	2	2	
F-3	17	HZY9-50156-000	COLLAR, LOWER MOUNTING	2				~6000024
F-3	17	HZZ0-50156-C00	COLLAR, LOWER MOUNTING	2				6000025~
F-3	17	HZZ0-50156-C00	COLLAR, LOWER MOUNTING		2		2	
F-3	17	HZY9-50156-000	COLLAR, LOWER MOUNTING			2		~6000068
F-3	17	HZZ0-50156-C00	COLLAR, LOWER MOUNTING			2		6000069~
F-3	18	HZY9-50157-000	STOPPER, LOWER MOUNT	2	2	2	2	
F-3	19	HZW1-50161-020ZC	HOUSING, LOWER CENTER MOUNTING	1	1	1	1	*T107* BAY BLUE
F-3	20	HZY6-50209-000	PLATE, SPEED SENSOR TUBE	2	2	2	2	
F-3	21	HZY6-56118-000	BUSH, MOTOR CODE	1	1	1	1	
F-3	22	HZY9-63232-010	LEVER, FASTENER	1	1	1	1	
F-3	23	HZY9-63237-000	WIRE, FASTENER	1	1	1	1	
F-3	24	HZC0-63515-700	CAP, L. SIDE COVER	1	1	1	1	
F-3	25	HZY9-63719-000	SEAL B, COVER UNDER	1	1	1	1	





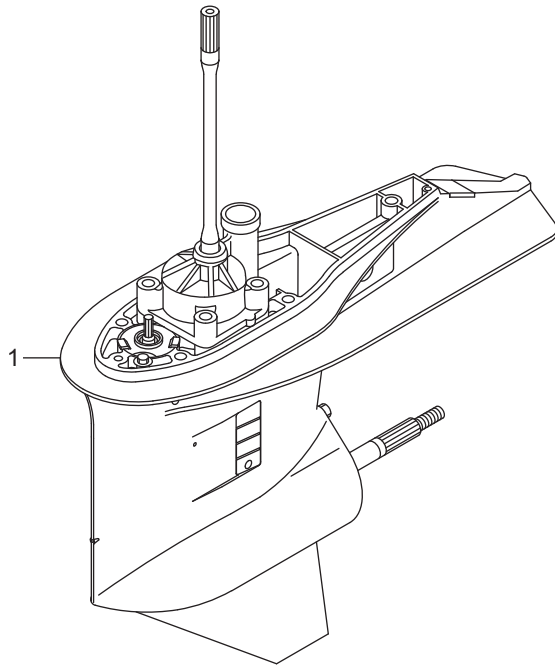




Ref.No.	Part No.	Description	Q'ty				Remarks	
			BFT75A	BFT75AK1	BFT90A	BFT90AK1		
F-3-10	1	HZW1-19286-B00	PLATE, RUBBER SETTING	1	1	1	1	
F-3-10	2	HZY9-40202-H50ZB	SEPARATOR, EXTENSION(XL)			1	1	*T107* BAY BLUE XRTA
F-3-10	3	HZW1-40210-710	BUSH COMP., VERTICAL SHAFT			1	1	XRTA
F-3-10	4	HZY9-41101-H00ZB	CASE, GEAR	1	1	1	1	*T107* BAY BLUE
F-3-10	5	HZW1-41102-B00	GROMMET, GEAR CASE	1	1	1	1	
F-3-10	6	HZZ0-41102-000	COVER B, GEAR CASE	1	1	1	1	
F-3-10	7	HZZ0-41103-000	GROMMET, GEAR CASE	1	1	1	1	
F-3-10	8	HZZ0-41104-010	SCREEN, R. WATER	1	1	1	1	
F-3-10	9	HZZ0-41105-010	SCREEN, L. WATER	1	1	1	1	
F-3-10	10	HZZ0-41107-000ZD	TAB, TRIM	1	1	1	1	*T107* BAY BLUE
F-3-10	11	HZW1-41109-B00	METAL COMP., ANODE	2	2	2	2	
F-3-10	12	HZW9-90101-003	BOLT, OIL CHECK	1	1	1	1	
F-3-10	13	HZZ0-90101-000	SCREW, FLAT, 5X55	1	1	1	1	
F-3-10	14	HZW1-90104-900	BOLT, HEX., 10X80	1	1	1	1	LRTA
F-3-10	15	HZV5-90115-000	BOLT, HEX., 8X25	1	1	1	1	
F-3-10	16	HZY3-90120-000	BOLT, DRAIN PLUG	1	1	1	1	
F-3-10	17	HZY6-90123-000	BOLT-WASHER, 10X40	4	4	4	4	LRTA
F-3-10	18	HZW1-90124-910	BOLT, STUD(10X202)			1	1	XRTA
F-3-10	19	HZW1-90125-910	BOLT, STUD(10X164)			4	4	XRTA
F-3-10	20	HZY3-90133-000	BOLT, SOCKET, 6X16	1	1	1	1	
F-3-10	21	HZY1-90205-000	NUT, SELF-LOCK, 6MM	1	1	1	1	
F-3-10	22	HHW1-90225-670	BOLT, FLANGE, 6X35	1	1	1	1	
F-3-10	23	HZV4-90302-000	NUT, SELF-LOCK, 5MM	1	1	1	1	
F-3-10	24	HZV5-90306-003	NUT, SELF-LOCK, 10MM			5	5	XRTA
F-3-10	25	HZW1-90501-710	WASHER, 26MM			1	1	XRTA
F-3-10	26	HZV4-90507-000	WASHER, PLAIN, 8MM	1	1	1	1	
F-3-10	27	HZV5-90563-000	WASHER, PLAIN, 10MM	1	1	1	1	LRTA
F-3-10	27	HZV5-90563-000	WASHER, PLAIN, 10MM			5	5	XRTA
F-3-10	28	HZW1-90651-710	CIRCLIP, INTERNAL, 40			1	1	XRTA

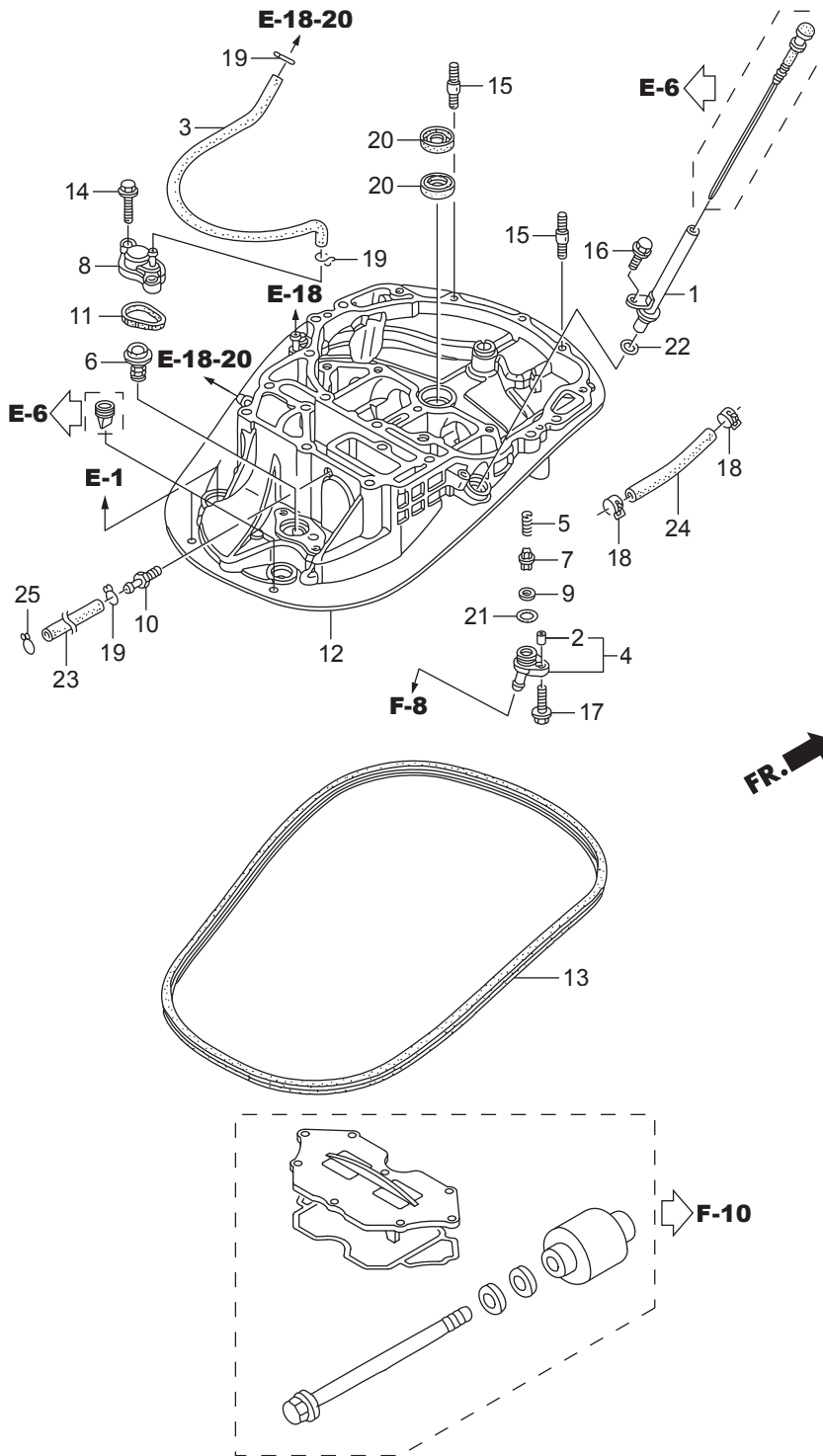






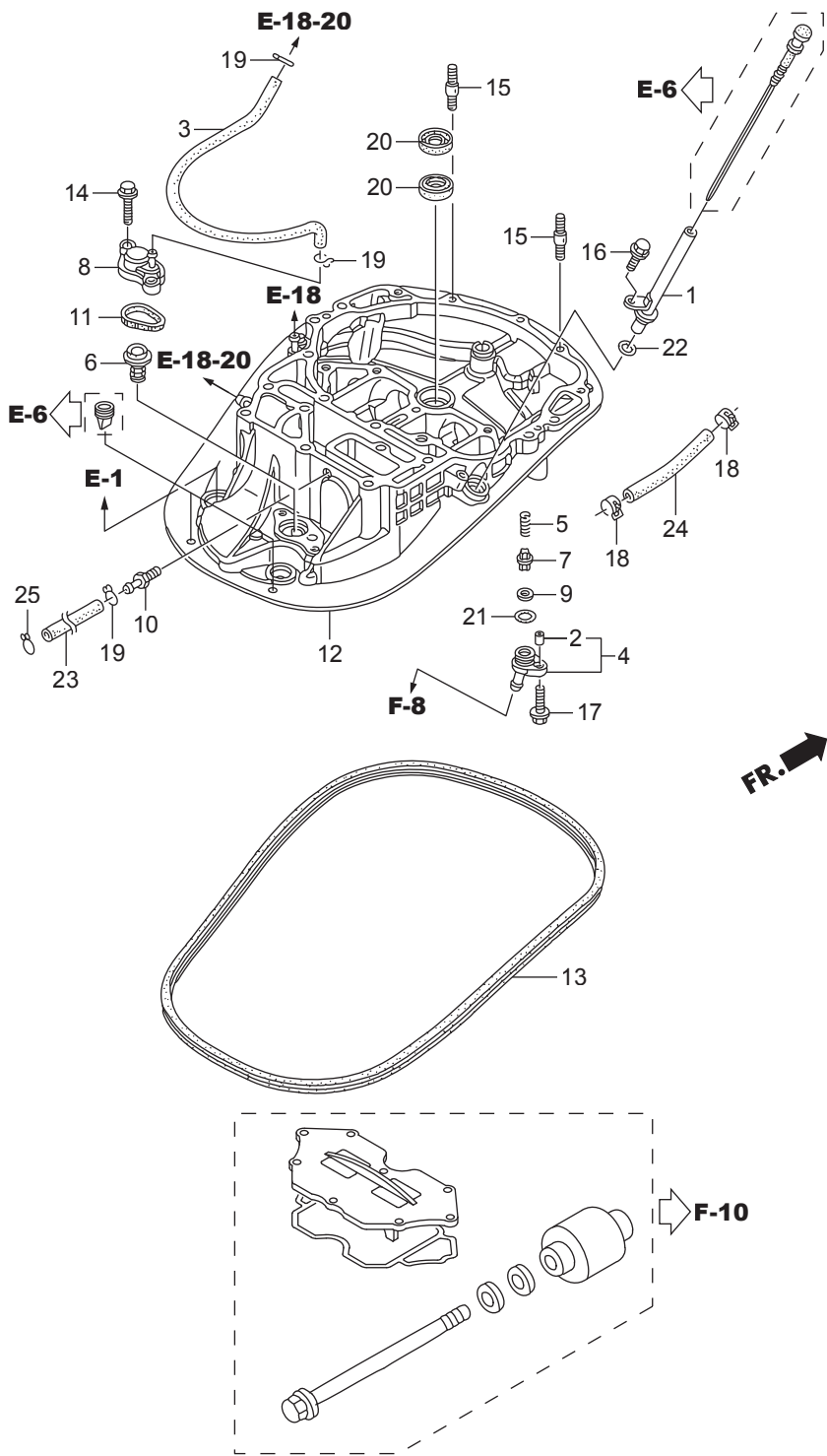
←FR.



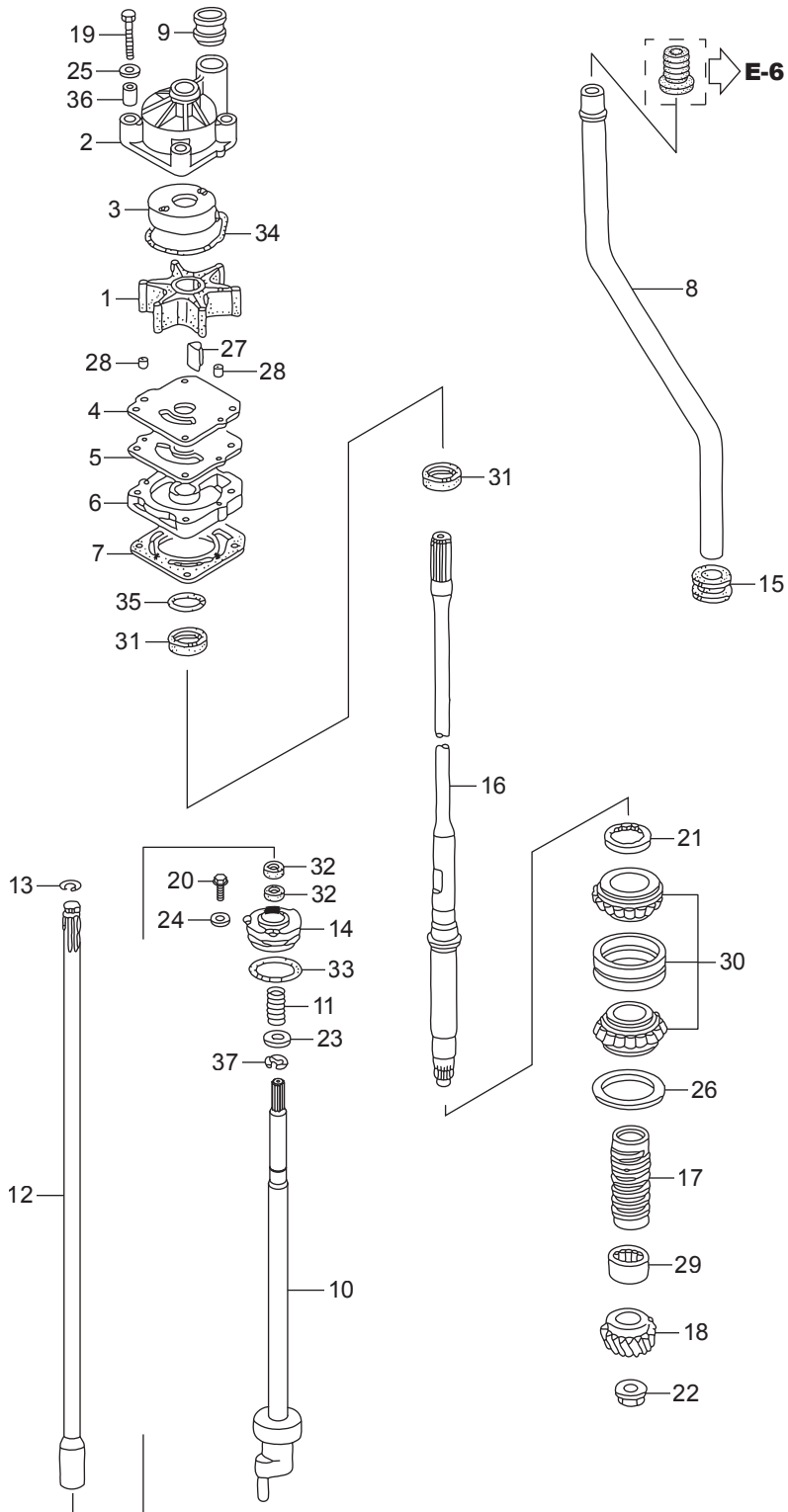




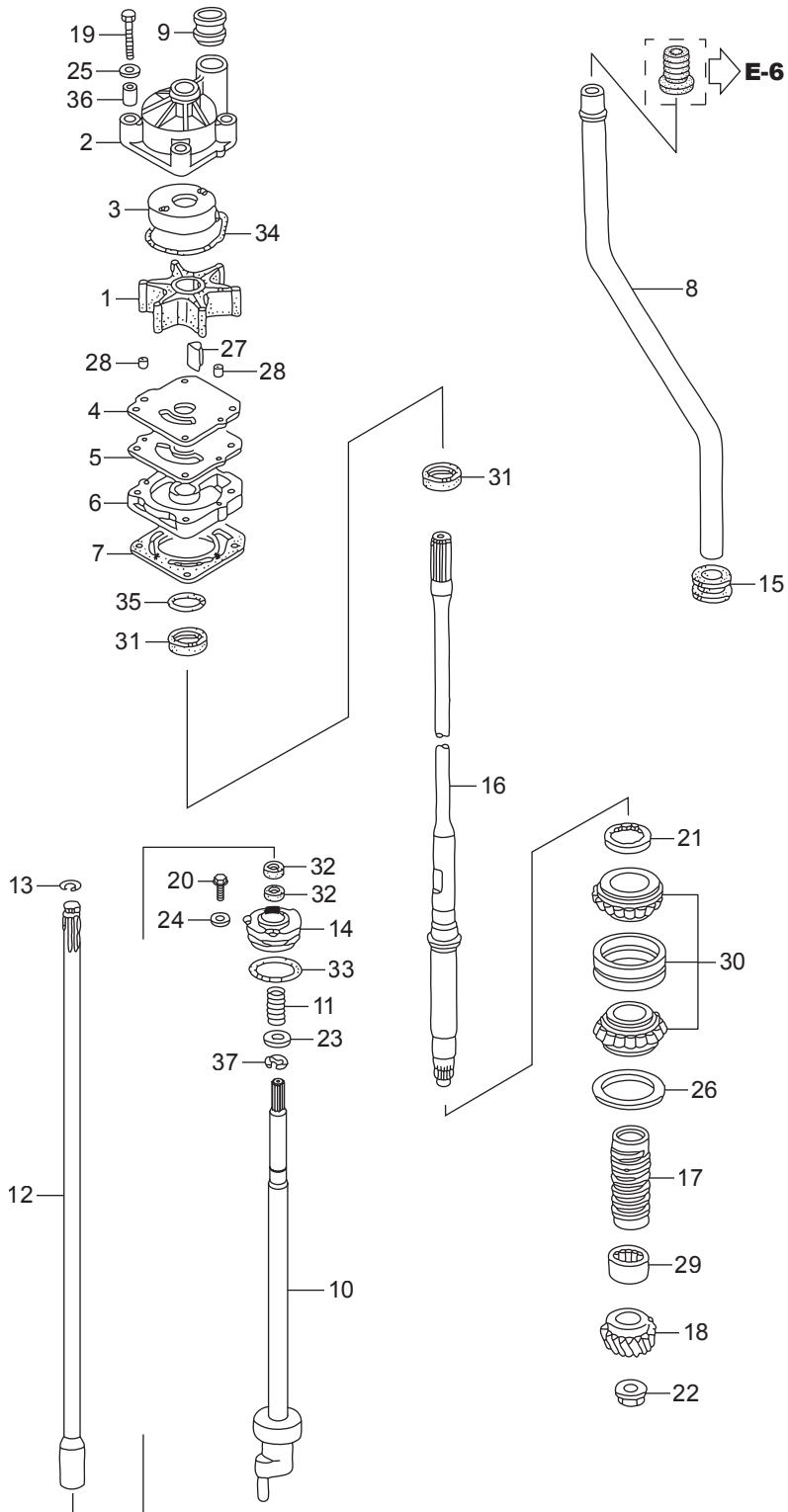
Ref.No.	Part No.	Description	Q'ty				Remarks	
			BFT75A	BFT75AK1	BFT90A	BFT90AK1		
F-3-30	1	HZY9-15665-000	PIPE COMP., OIL LEVEL	1	1	1	1	
F-3-30	2	HZV5-17202-310	COLLAR, DISTANCE, 6.5X11X7.5	1		1		
F-3-30	2	HZY9-17202-M00	COLLAR, DISTANCE, 6.5X11X7.5			1	1	
F-3-30	3	HZY9-19256-000	TUBE B, WATER	1	1	1	1	
F-3-30	4	HZY9-19277-000	COVER, FLUSH VALVE	1		1		
F-3-30	4	HZY9-19277-M00	COVER, FLUSH VALVE		1		1	
F-3-30	5	HZW9-19279-010	SPRING, FLUSH VALVE	1	1	1	1	
F-3-30	6	HZY6-19290-003	VALVE ASSY., RELIEF	1	1	1	1	
F-3-30	7	HZW9-19291-000	VALVE, FLASH	1	1	1	1	
F-3-30	8	HZY9-19295-000	COVER, RELIEF VALVE	1	1	1	1	
F-3-30	9	HZW9-19297-000	PACKING, FLASH VALVE	1	1	1	1	
F-3-30	10	HZW4-19312-H00	JOINT, WATER TUBE	1	1	1	1	
F-3-30	11	HZW9-19317-000	O-RING, THERMOSTAT COVER	1	1	1	1	
F-3-30	12	HZY9-23170-010ZA	CASE COMP., MOUNT	1	1	1	1	*NH8* DARK GRAY
F-3-30	13	HZY9-63718-000	SEAL A, COVER UNDER	1	1	1	1	
F-3-30	14	HZY3-90030-000	BOLT, FLANGE, 6X22	2		2		
F-3-30	14	HZZ5-90030-M00	BOLT, FLANGE, 6X22		2		2	
F-3-30	15	HZY3-90043-000	BOLT, STUD, 8X28	2		2		
F-3-30	15	HZY9-90043-M00	BOLT, STUD, 8X28		2		2	
F-3-30	16	HZY3-90056-000	BOLT, FLANGE, 6X12	1		1		
F-3-30	16	HZY9-90056-M00	BOLT, FLANGE, 6X12		1		1	
F-3-30	17	HZW9-90105-000	BOLT, FLANGE, 6X20	1	1	1	1	
F-3-30	18	HZY3-90601-030	CLAMP, TUBE(D10.5)	2	2	2	2	
F-3-30	19	HZV4-90603-000	CLIP, TUBE(B10)	3	3	3	3	
F-3-30	20	HZW5-91202-003	SEAL, WATER, 22X35X7	2	2	2	2	
F-3-30	21	H800-91303-000	O-RING, 16MM	1	1	1	1	
F-3-30	22	HPJ7-91309-010	O-RING, 11.5X3.5	1	1	1	1	
F-3-30	23	HZY9-91402-000	TUBE, WATER CHECK	1	1	1	1	
F-3-30	24	HCO-95005-70110-30	TUBE, 7X110	1	1	1	1	(HC-95005-70001-30M)





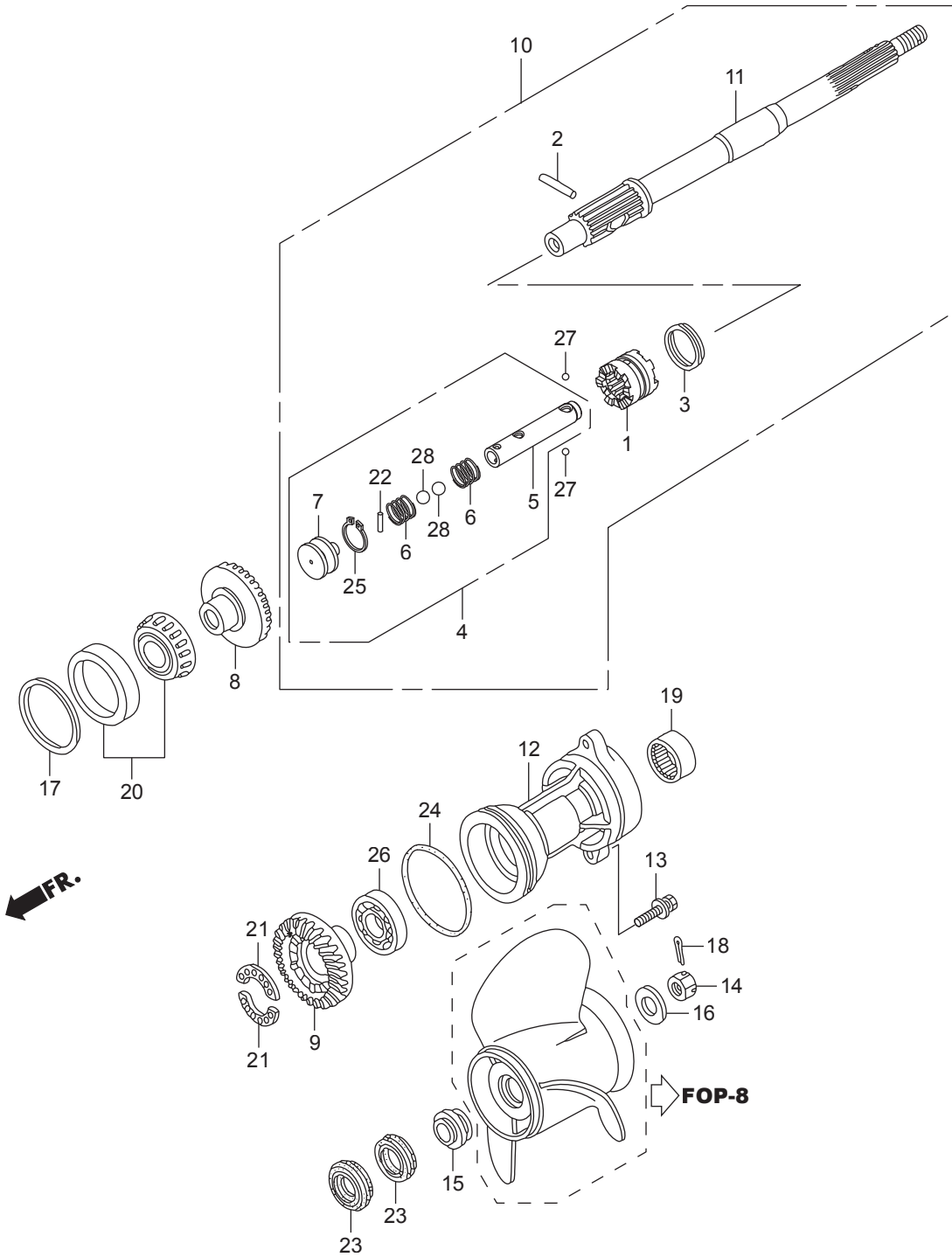


Ref.No.	Part No.	Description	Q <sup>2</sup>				Remarks	
			BFT75A	BFT75AK1	BFT90A	BFT90AK1		
F-4	1	HZY9-19210-H01	IMPELLER, PUMP	1	1	1	1	
F-4	2	HZY9-19221-H00	HOUSING, IMPELLER	1		1		
F-4	2	HZY9-19221-H01	HOUSING, IMPELLER			1	1	
F-4	3	HZY9-19223-H00	LINER, PUMP	1	1	1	1	
F-4	4	HZY9-19231-H00	COVER, IMPELLER	1		1		
F-4	4	HZY9-19231-H01	COVER, IMPELLER		1		1	
F-4	5	HZW1-19234-B00	GASKET B, IMPELLER	1	1	1	1	
F-4	6	HZZ0-19241-000	HOUSING, WATER PUMP	1	1	1	1	
F-4	7	HZW1-19242-B00	GASKET, WATER PUMP	1	1	1	1	
F-4	8	HZY9-19251-000	TUBE, WATER(L)	1	1	1	1	LRTA
F-4	8	HZY9-19251-610	TUBE, WATER(XL)			1	1	XRTA
F-4	9	HZW1-19253-B01	RING, WATER TUBE SEAL	1	1	1	1	
F-4	10	HZZ0-24310-000	ROD COMP., SHIFT(L)	1	1	1	1	
F-4	11	HZY3-24318-000	SPRING, SHIFT ROD	1	1	1	1	
F-4	12	HZW1-24320-B00	ROD A COMP., SHIFT(L)	1	1	1	1	LRTA
F-4	12	HZY9-24320-610	ROD A COMP., SHIFT(XL)			1	1	XRTA
F-4	13	HZW1-24327-000	RING, STOPPER	1	1	1	1	
F-4	14	HZY9-24343-H00	HOLDER, SHIFT ROD	1	1	1	1	
F-4	15	HZW1-40204-000	GROMMET, EXTENSION CASE	1	1	1	1	
F-4	16	HZW1-41112-B03	SHAFT, VERTICAL(L)	1	1	1	1	LRTA
F-4	16	HZW1-41112-B33	SHAFT, VERTICAL(UL)			1	1	XRTA
F-4	17	HZW1-41116-B00	SLINGER, OIL	1	1	1	1	
F-4	18	HZW1-41131-B01	GEAR, PINION(12T)	1	1	1	1	
F-4	19	HZV5-90010-000	BOLT, HEX., 8X55	4	4	4	4	
F-4	20	HZW9-90102-000	BOLT, FLANGE, 6X12	1	1	1	1	
F-4	21	HZW1-90242-000	NUT, LOCK, 64MM	1	1	1	1	
F-4	22	HZW1-90303-B03	NUT, HEX., 16MM	1	1	1	1	
F-4	23	H723-90472-000	WASHER, PLAIN, 12MM	1	1	1	1	
F-4	24	HZV4-90511-000	WASHER, PLAIN, 6MM	1	1	1	1	



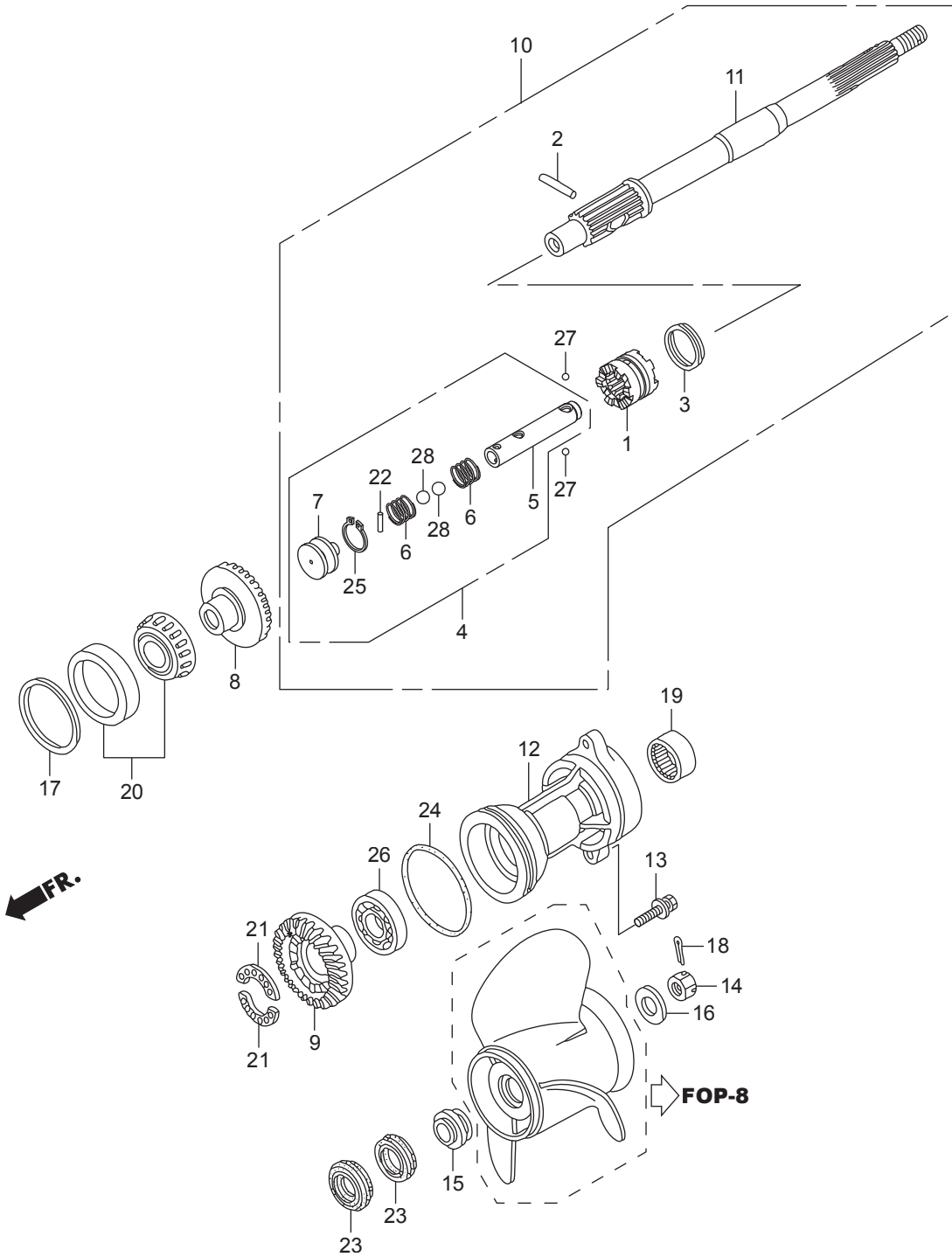
FR.



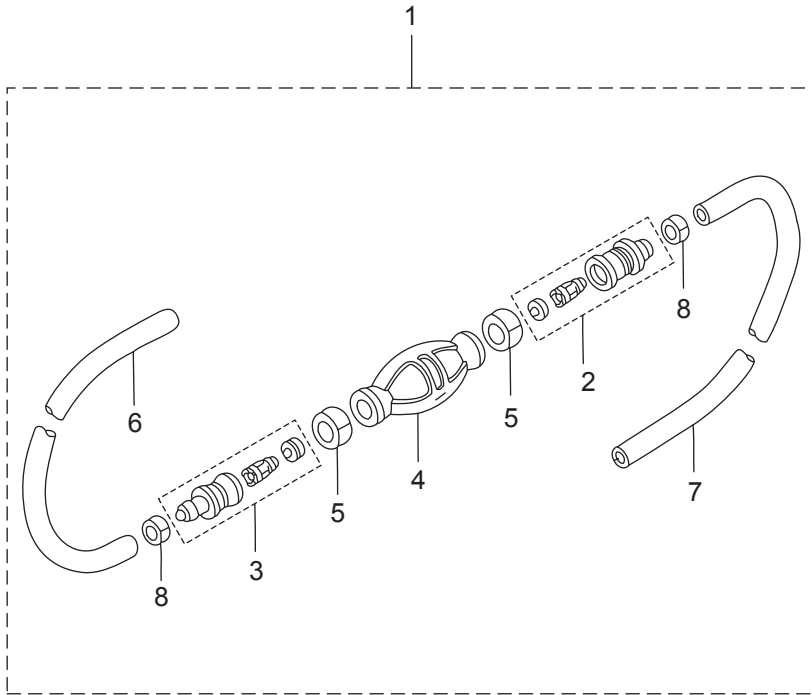




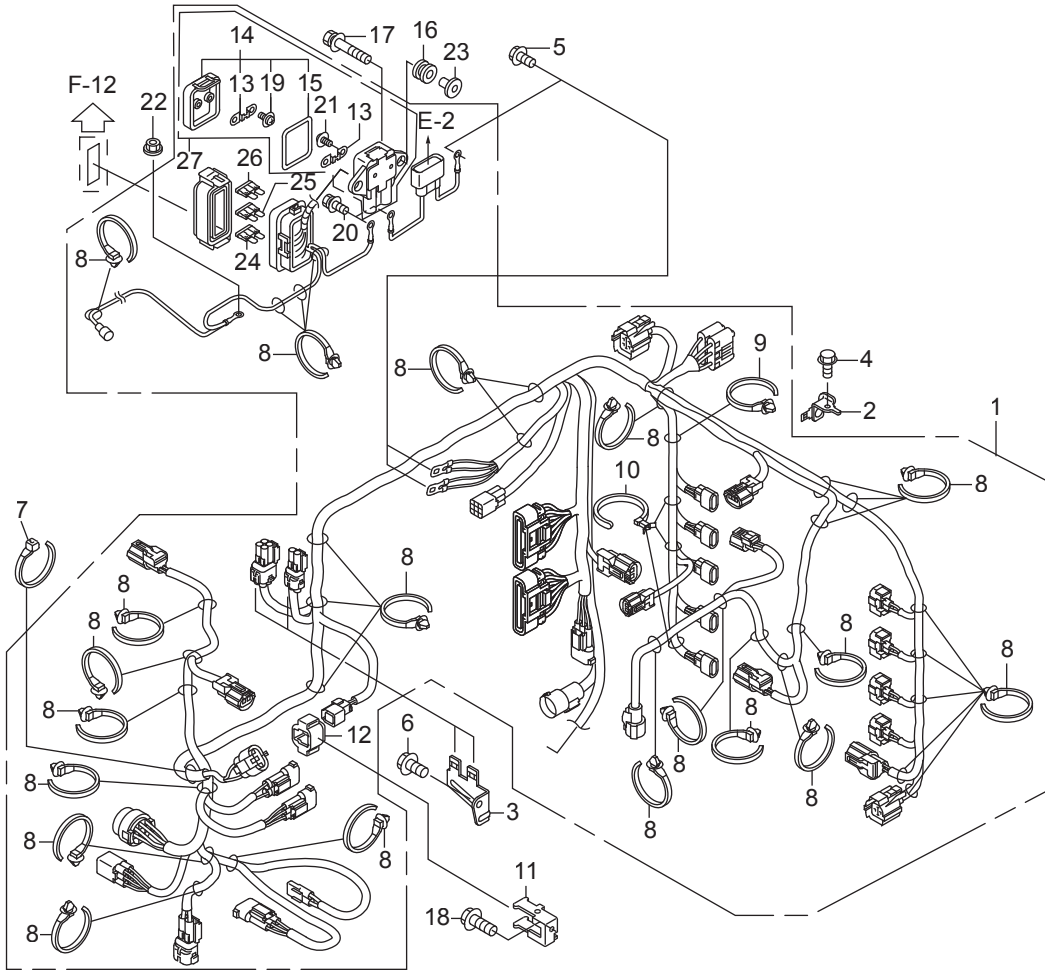
Ref.No.	Part No.	Description	Q'ty				Remarks	
			BFT75A	BFT75AK1	BFT90A	BFT90AK1		
F-5	1	HZZ0-24101-010	SHIFTER, CLUTCH	1	1	1	1	
F-5	2	HZW1-24102-B00	PIN, SHIFTER, 8X47	1	1	1	1	
F-5	3	HZW1-24103-B00	RING, CROSS PIN	1	1	1	1	
F-5	4	HZZ0-24113-000	SLIDER COMP., SHIFT	1	1	1	1	
F-5	5	HZZ0-24122-000	SLIDER, SHIFT	1	1	1	1	
F-5	6	HZZ0-24123-000	SPRING, SHIFT	2	2	2	2	
F-5	7	HZZ0-24124-000	PLATE, SHIFT	1	1	1	1	
F-5	8	HZZ0-41140-010	GEAR COMP., FR. BEVEL	1	1	1	1	
F-5	9	HZY9-41151-H00	GEAR, RR. BEVEL	1	1	1	1	
F-5	10	HZZ0-41160-010	SHAFT ASSY., PROPELLER	1	1	1	1	
F-5	11	HZZ0-41161-000	SHAFT, PROPELLER	1	1	1	1	
F-5	12	HZW1-41201-B02ZD	HOLDER, PROPELLER SHAFT	1	1	1	1	*T107* BAY BLUE
F-5	13	HZY6-90123-000	BOLT-WASHER, 10X40	2	2	2	2	
F-5	14	HZW1-90301-B00	NUT, CASTLE, 18MM	1	1	1	1	
F-5	15	HZW1-90506-B00	WASHER, PROPELLER THRUST	1				~6000024
F-5	15	HZZ0-90506-C00	WASHER, PROPELLER THRUST	1				6000025~
F-5	15	HZZ0-90506-C00	WASHER, PROPELLER THRUST		1		1	
F-5	15	HZW1-90506-B00	WASHER, PROPELLER THRUST			1		~6000068
F-5	15	HZZ0-90506-C00	WASHER, PROPELLER THRUST			1		6000069~
F-5	16	HZW1-90508-B00	WASHER, PLAIN, 18.5MM	1	1	1	1	
F-5	17	HZW1-90528-B00	SHIM A, BEVEL(FR.)(0.10)	1	1	1	1	
F-5	17	HZW1-90529-B00	SHIM B, BEVEL(FR.)(0.15)	1	1	1	1	
F-5	17	HZW1-90530-B00	SHIM C, BEVEL(FR.)(0.30)	1	1	1	1	
F-5	17	HZW1-90531-B00	SHIM D, BEVEL(FR.)(0.50)	1	1	1	1	
F-5	18	HZW1-90758-B00	PIN, SPLIT, 4.0	1	1	1	1	
F-5	19	HMY5-91005-601	BEARING, NEEDLE, 30X37X26	1	1	1	1	
F-5	20	HZW1-91051-B02	BEARING, TAPERED ROLLER	1	1	1	1	(50X82X21.5)
F-5	21	HZW5-91054-003	BEARING, BALL(28X38X3)	2	2	2	2	
F-5	22	HZW1-91101-003	ROLLER, 3X12.8	1	1	1	1	





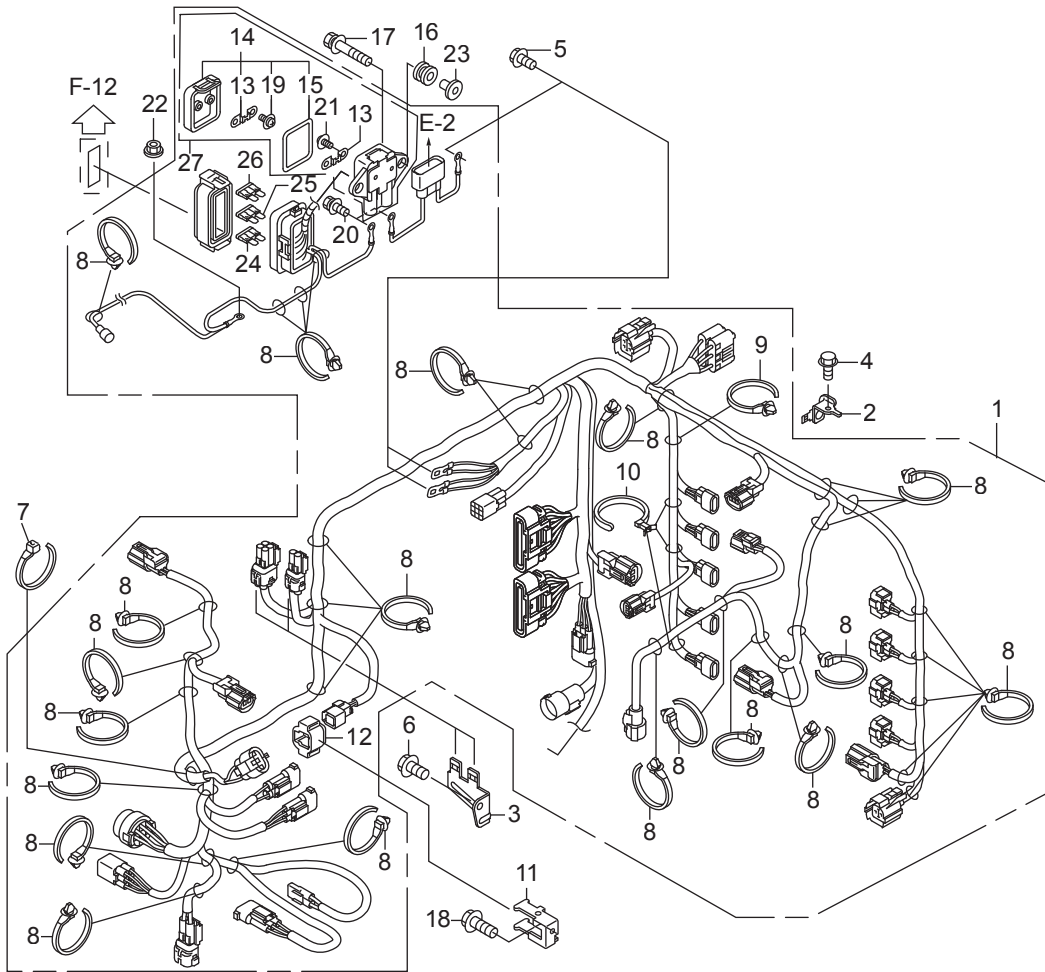






FR.

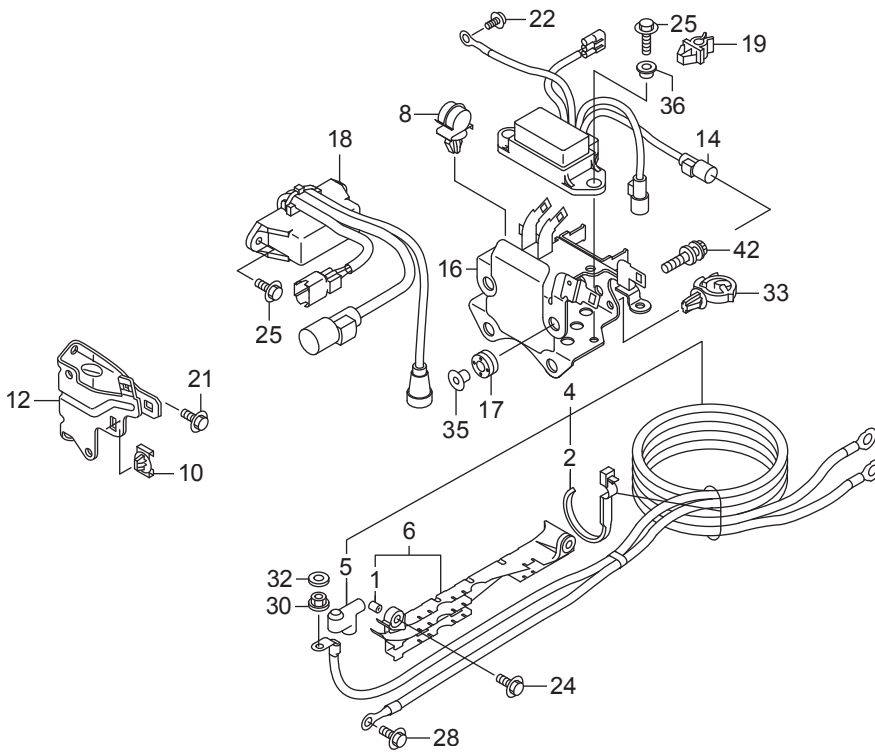
Ref.No.	Part No.	Description	Q'ty				Remarks
			BFT75A	BFT75AK1	BFT90A	BFT90AK1	
F-7	1	HZY9-32100-H00	HARNESS ASSY., MAIN WIRE	1			
F-7	1	HZY9-32100-M00	HARNESS ASSY., MAIN WIRE		1		
F-7	1	HZZ0-32100-H00	HARNESS ASSY., MAIN WIRE			1	
F-7	1	HZZ0-32100-M00	HARNESS ASSY., MAIN WIRE				1
F-7	2	HZY9-32101-000	BRACKET A, COUPLER	1		1	
F-7	2	HZZ0-32101-M00	BRACKET A, COUPLER		1		1
F-7	3	HZY9-32103-000	BRACKET C, COUPLER	1	1	1	1
F-7	4	HZW9-90011-000	BOLT, FLANGE, 6X14(CT200)	1		1	
F-7	4	HZZ5-90011-M00	BOLT, FLANGE, 6X14(CT200)		1		1
F-7	5	HZW9-90013-000	BOLT, FLANGE, 6X12	3		3	
F-7	5	HZZ5-90105-M00	BOLT, FLANGE, 6X12		3		3
F-7	6	HZW9-90014-000	BOLT, FLANGE, 6X10	1		1	
F-7	6	HZZ0-90103-M00	BOLT, FLANGE, 6X10		1		1
F-7	7	HZY9-90652-003	BAND, WIRE HARNESS	1	1	1	1
F-7	8	HS0A-91541-003	CLIP, HARNESS BAND(BLACK)	31	31	31	31 (145MM)
F-7	9	HSW5-91551-003	CLIP, HARNESS BAND(BROWN)	1	1	1	1 (151MM)
F-7	10	HSJ6-91558-003	STRAP, HARNESS(30)(BLACK)	3	3	3	3 (107.5MM)
F-7	11	HZY9-32104-H00	BRACKET, COUPLER	1	1	1	1
F-7	12	HZZ3-32127-000	SUSPENSION, COUPLER	1	1	1	1
F-7	13	HZY9-38201-003	FUSE(70A)	2	2	2	2
F-7	14	HZY9-38216-003	COVER ASSY., FUSE(70A)	1	1	1	1
F-7	15	HZY9-38233-000	PACKING, FUSE BOX COVER	1	1	1	1
F-7	16	HZW1-38551-000	GROMMET, RELAY	2	2	2	2
F-7	17	HZW2-90003-000	BOLT-WASHER, 6X27(CT200)	2		2	
F-7	17	HZZ5-90003-M00	BOLT-WASHER, 6X27(CT200)		2		2
F-7	18	HZW9-90011-000	BOLT, FLANGE, 6X14(CT200)	1		1	
F-7	18	HZZ5-90011-M00	BOLT, FLANGE, 6X14(CT200)		1		1
F-7	19	HZW5-90105-003	SCREW-WASHER, 3X7	2	2	2	2
F-7	20	HZW5-90106-000	BOLT-WASHER, 5X9	2	2	2	2



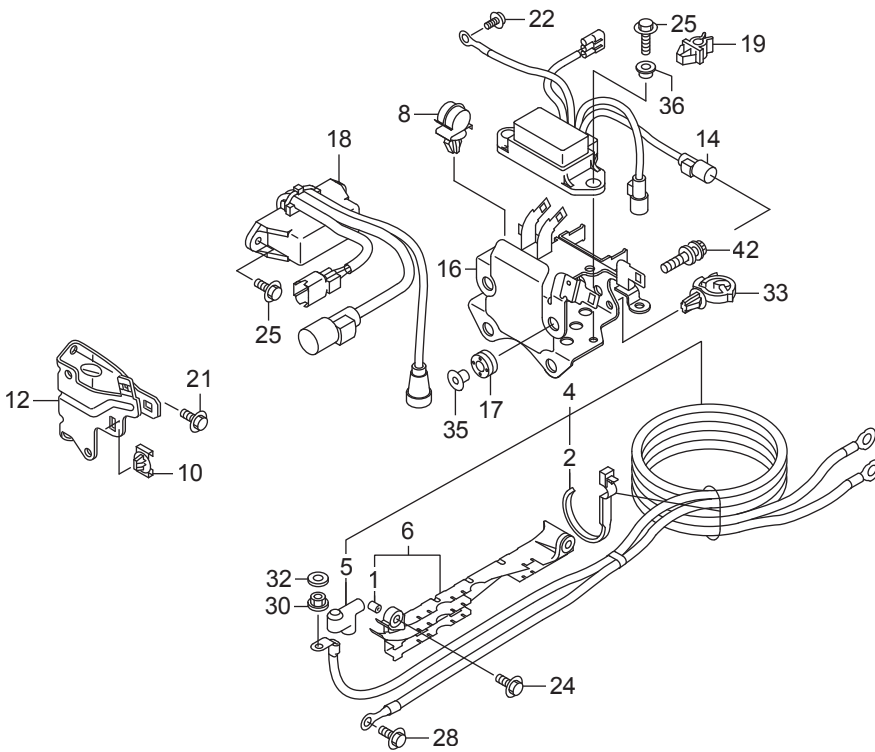
←FR.



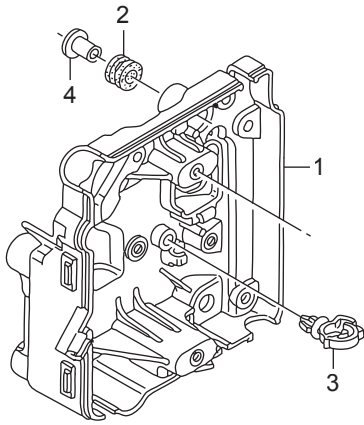




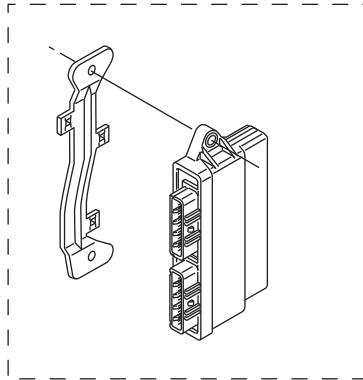
Ref.No.	Part No.	Description	Q'ty				Remarks	
			BFT75A	BFT75AK1	BFT90A	BFT90AK1		
F-7-10	1	HZV5-17202-310	COLLAR, DISTANCE, 6.5X11X7.5	2	2	2	2	
F-7-10	2	HHA0-32121-003	BAND, CORD	1				~6000023
F-7-10	2	HKV6-90651-003	BAND, WIRE, 165MM(BLACK)	1				(BLACK) 6000024~
F-7-10	2	HKV6-90651-003	BAND, WIRE, 165MM		1		1	(BLACK)
F-7-10	2	HHA0-32121-003	BAND, CORD			1		~6000062
F-7-10	2	HKV6-90651-003	BAND, WIRE, 165MM(BLACK)			1		(BLACK) 6000063~
F-7-10	4	HZY9-32410-000	CABLE ASSY., STARTER	1	1	1	1	
F-7-10	5	HZY3-32411-003	COVER, STARTER TERMINAL	1	1	1	1	
F-7-10	6	HZY9-32418-000	HOLDER COMP., STARTER CABLE	1	1	1	1	
F-7-10	8	HMJ6-32660-710	CLAMPER, CORD	1	1	1	1	
F-7-10	10	HZY3-38216-003	CLIP, COUPLER HOLDER(B)	1	1	1	1	
F-7-10	12	HZY9-38217-000	BRACKET, FUSE BOX	1	1	1	1	
F-7-10	14	HZY9-38550-003	RELAY ASSY., POWER TILT	1	1	1	1	
F-7-10	16	HZY9-38552-000	BRACKET, RELAY	1	1	1	1	
F-7-10	17	HZY9-38553-003	GROMMET, RELAY BRACKET	4	4	4	4	
F-7-10	18	HZY9-38580-003	RELAY ASSY., MAIN	1		1		
F-7-10	18	HZY9-38580-013	RELAY ASSY., MAIN		1		1	
F-7-10	19	HSZ5-91531-003	CLIP, TUBE, 3.5	1	1	1	1	
F-7-10	21	HZW9-90011-000	BOLT, FLANGE, 6X14(CT200)	2		2		
F-7-10	21	HZZ5-90011-M00	BOLT, FLANGE, 6X14(CT200)		2		2	
F-7-10	22	HZW9-90013-000	BOLT, FLANGE, 6X12	1		1		
F-7-10	22	HZZ5-90105-M00	BOLT, FLANGE, 6X12		1		1	
F-7-10	24	HZW5-90018-000	BOLT, FLANGE, 6X20	2		2		
F-7-10	24	HZZ5-90018-M00	BOLT, FLANGE, 6X20		2		2	
F-7-10	25	HZY3-90021-000	BOLT, FLANGE, 6X14	4		4		
F-7-10	25	HZZ5-90021-M00	BOLT, FLANGE, 6X14		4		4	
F-7-10	28	HZY3-90107-000	BOLT, FLANGE, 8X18	1	1	1	1	
F-7-10	30	HZW1-90203-000	NUT-WASHER, 8MM	1	1	1	1	
F-7-10	32	HZY3-90405-000	WASHER, PLAIN, 8MM	1	1	1	1	







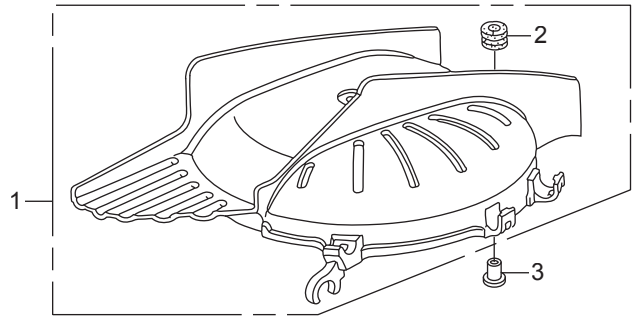
**E-20-10**



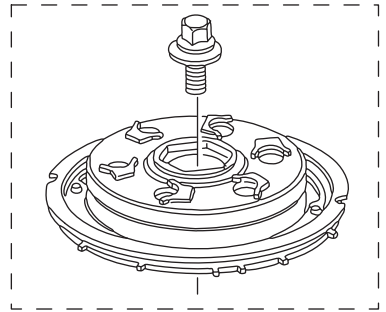


FR. 

F-12  

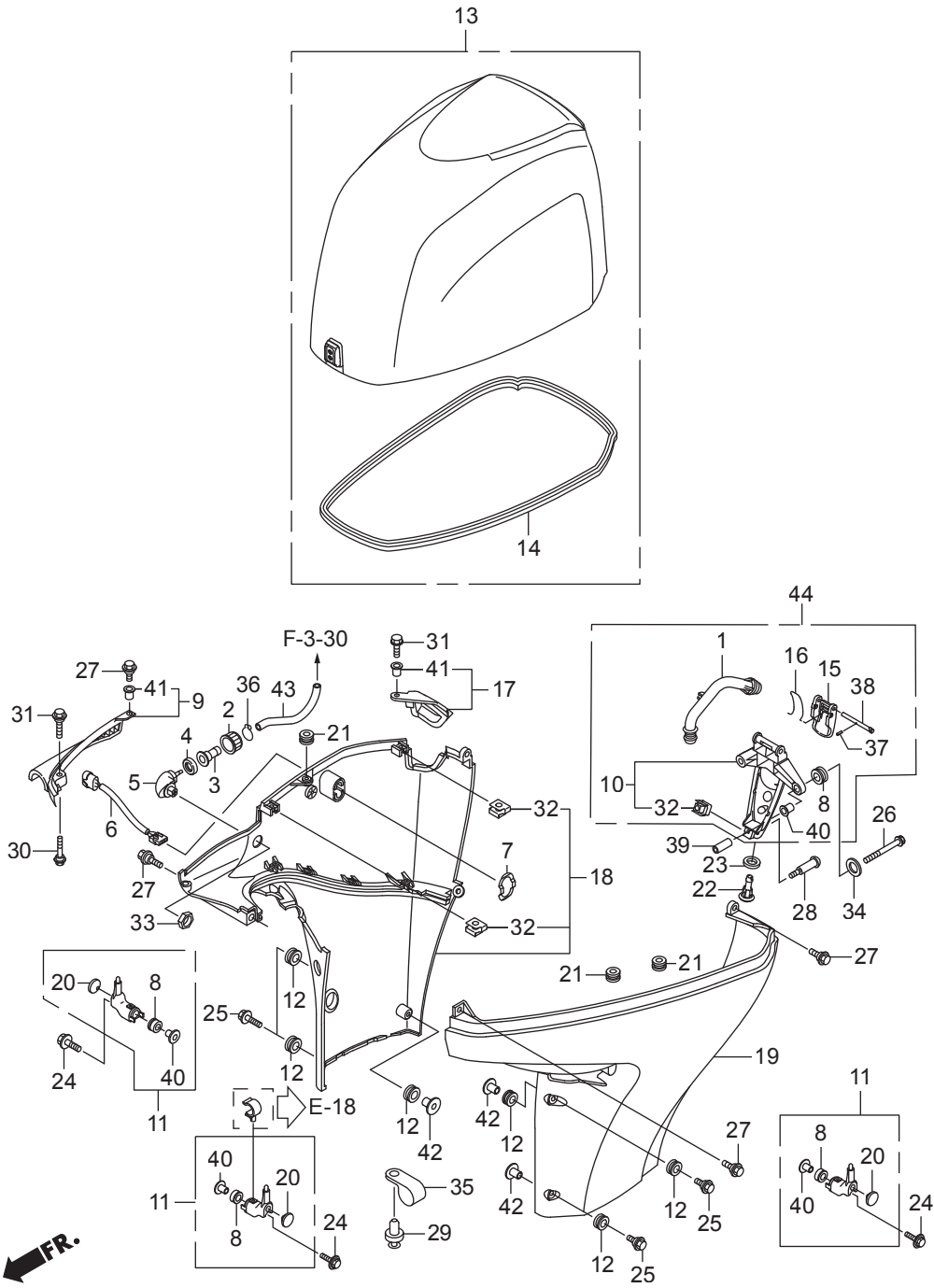


E-19 

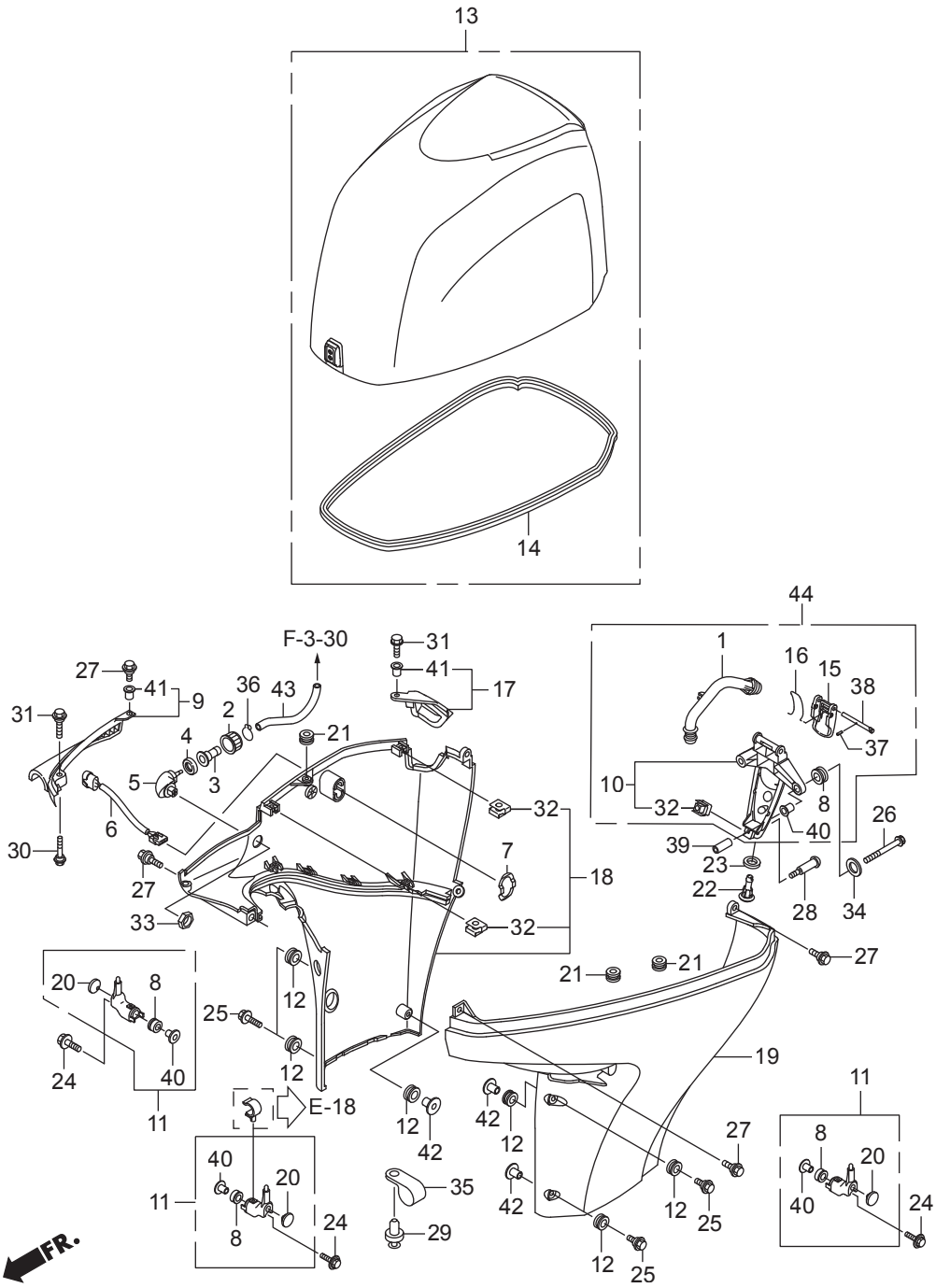




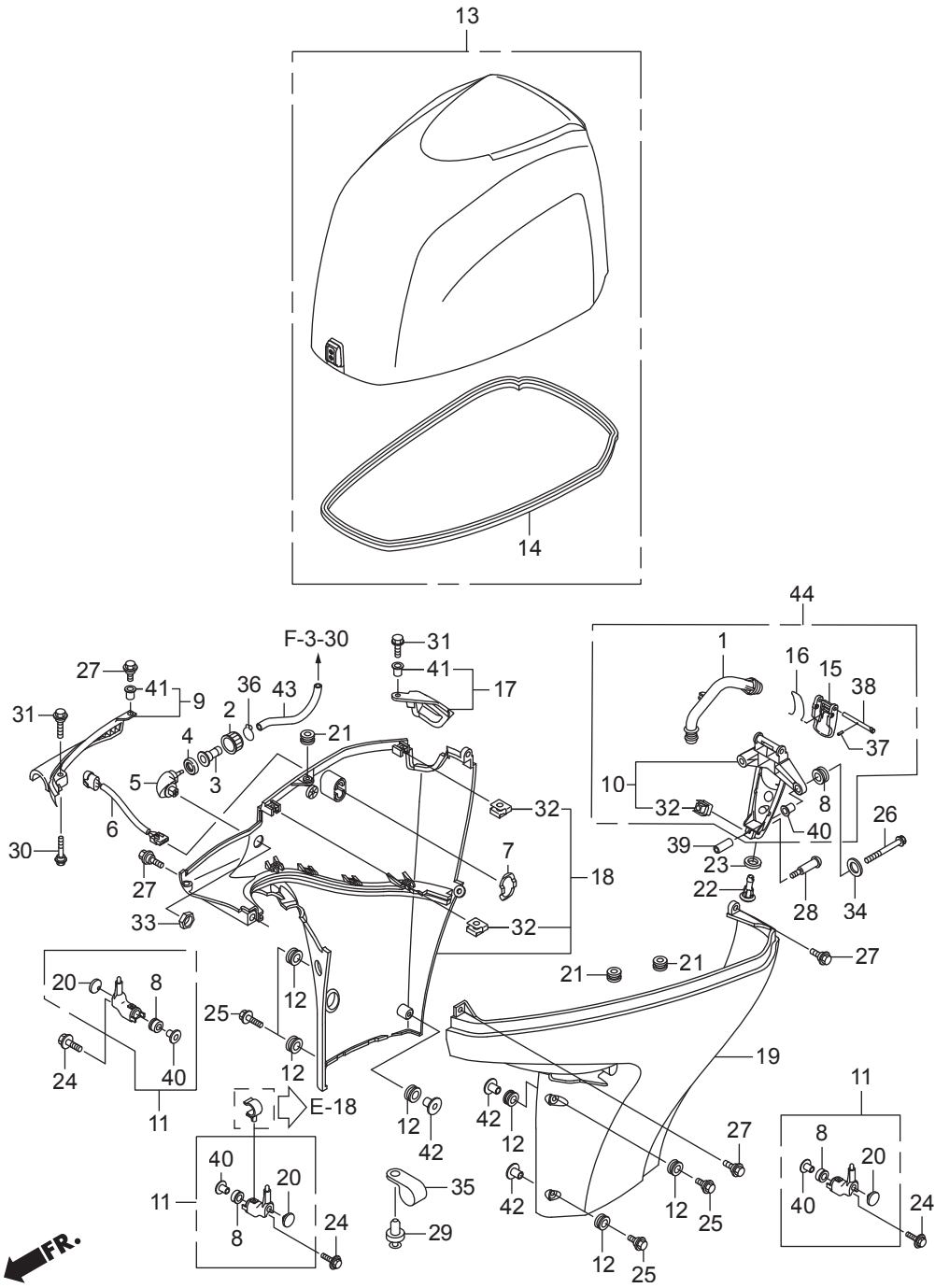




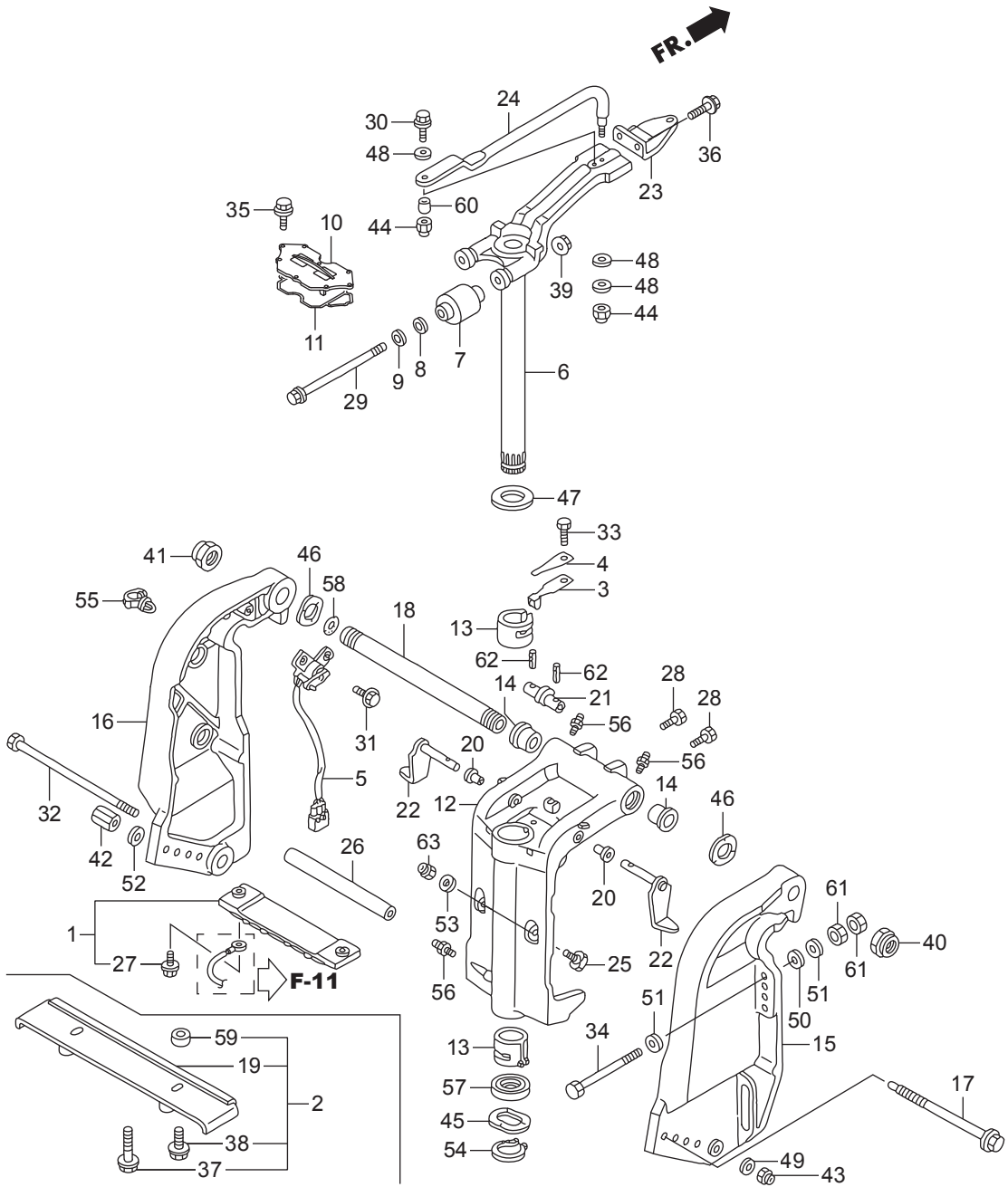
Ref.No.	Part No.	Description	Q'ty				Remarks	
			BFT75A	BFT75AK1	BFT90A	BFT90AK1		
F-8	1	HZY9-18211-000	PORT, IDLE EXHAUST	1	1	1	1	
F-8	2	HZY3-19270-000	NUT, WATER MOUTH	1	1	1	1	
F-8	3	HZY3-19271-000	JOINT, WATER HOSE	1	1	1	1	
F-8	4	HZY3-19272-000	SEAT, WATER MOUTH	1	1	1	1	
F-8	5	HZY6-19289-000	CAP, WATER JOINT	1	1	1	1	
F-8	6	HZY9-35640-003	SWITCH ASSY., POWER TILT	1	1	1	1	
F-8	7	HZY9-35645-000	STAY, POWER TILT SWITCH	1	1	1	1	
F-8	8	HZV5-40102-000	GROMMET, UNDER CASE	5	5	5	5	
F-8	9	HZY9-40151-000ZD	COVER, SEPARATE FRONT	1	1	1	1	*T107* BAY BLUE
F-8	10	HZY9-40155-010	BRACKET, UNDER COVER	1		1		
F-8	10	HZZ0-40155-M00	BRACKET, UNDER COVER		1		1	
F-8	11	HZY9-40165-010	STOPPER ASSY., ENGINE SIDE	3		3		
F-8	11	HZZ0-40165-M00	STOPPER ASSY., ENGINE SIDE		3		3	
F-8	12	HMB6-61102-631	RUBBER, FENDER MOUNTING	6	6	6	6	
F-8	13	HZY9-63100-020ZC	COVER ASSY., ENGINE	1				*T107* BAY BLUE ~6000092
F-8	13	HZY9-63100-030ZC	COVER ASSY., ENGINE	1				*T107* BAY BLUE 6000093~
F-8	13	HZZ0-63100-M30ZA	COVER COMP., ENGINE		1		1	*T107* BAY BLUE
F-8	13	HZY9-63100-020ZC	COVER ASSY., ENGINE			1		*T107* BAY BLUE ~6000301
F-8	13	HZY9-63100-030ZC	COVER ASSY., ENGINE			1		*T107* BAY BLUE 6000302~
F-8	14	HZY9-63102-000	SEAL, ENGINE COVER	1				~6000092
F-8	14	HZY9-63102-010	SEAL, ENGINE COVER	1				6000093~
F-8	14	HZZ0-63102-M00	SEAL, ENGINE COVER		1		1	
F-8	14	HZY9-63102-000	SEAL, ENGINE COVER			1		~6000301
F-8	14	HZY9-63102-010	SEAL, ENGINE COVER			1		6000302~
F-8	15	HZY9-63232-010	LEVER, FASTENER	1	1	1	1	
F-8	16	HZY9-63237-000	WIRE, FASTENER	1	1	1	1	
F-8	17	HZY9-63347-010ZC	COVER, PLUG MAINTENANCE	1		1		*T107* BAY BLUE
F-8	17	HZZ0-63347-M00ZA	COVER, PLUG MAINTENANCE		1		1	*T107* BAY BLUE
F-8	18	HZY9-63711-010ZC	COVER COMP., R. ENGINE UNDER	1		1		*T107* BAY BLUE



Ref.No.	Part No.	Description	Q'ty				Remarks
			BFT75A	BFT75AK1	BFT90A	BFT90AK1	
F-8	18	HZZ0-63711-M00ZA		1		1	*T107* BAY BLUE
F-8	19	HZY9-63716-010ZC	1		1		*T107* BAY BLUE
F-8	19	HZZ0-63716-M00ZA		1		1	*T107* BAY BLUE
F-8	20	H965-77212-000	3	3	3	3	
F-8	21	HGJ5-80103-000	3	3	3	3	
F-8	22	HZY9-82873-000	1	1	1	1	
F-8	23	HZY9-82874-000	1	1	1	1	
F-8	24	HZW2-90003-000	3		3		
F-8	24	HZZ5-90003-M00		3		3	
F-8	25	HZY9-90103-000	6	6	6	6	
F-8	26	HZY9-90106-000	2		2		
F-8	26	HZZ0-90106-M00		2		2	
F-8	27	HZY3-90111-000	6	6	6	6	
F-8	28	HZY9-90113-003	1	1	1	1	
F-8	29	HZV5-90127-003	1	1	1	1	
F-8	30	HZY3-90132-000	1	1	1	1	
F-8	31	HZW4-90168-000	2	2	2	2	
F-8	32	HZY6-90301-000	3	3	3	3	
F-8	33	H921-90302-000	1	1	1	1	
F-8	34	HZY3-90508-000	2		2		
F-8	34	HZZ5-90508-M00		2		2	
F-8	35	HSB0-90602-003	1	1	1	1	
F-8	36	HZY6-90651-000	1	1	1	1	
F-8	37	HZY9-90751-000	1	1	1	1	
F-8	38	HZY9-90755-000	1	1	1	1	
F-8	39	HZY9-91552-000	2		2		
F-8	39	HZZ0-91552-M00		2		2	
F-8	40	HZV5-91553-010	5		5		
F-8	40	HZY9-91503-M00		5		5	





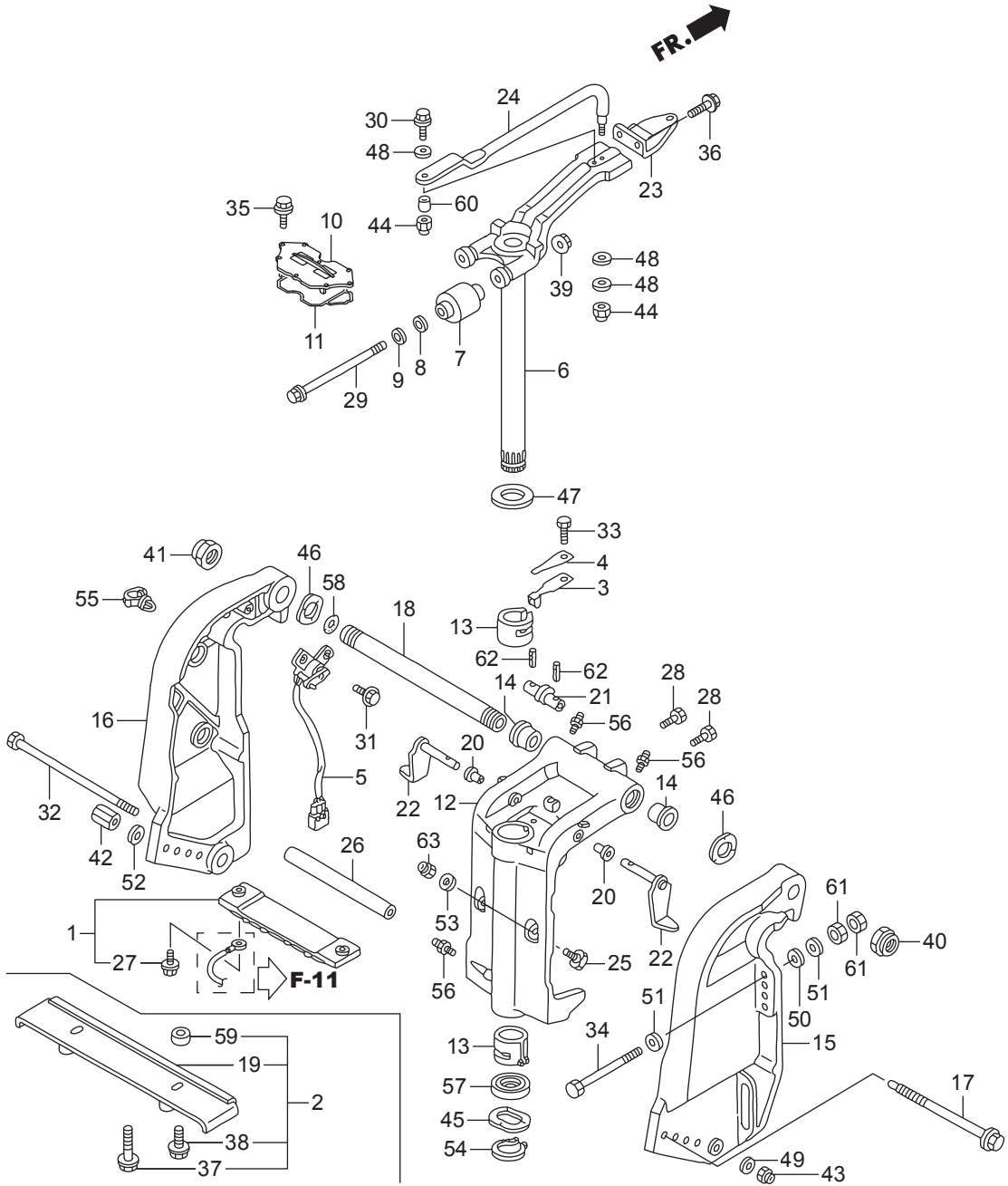




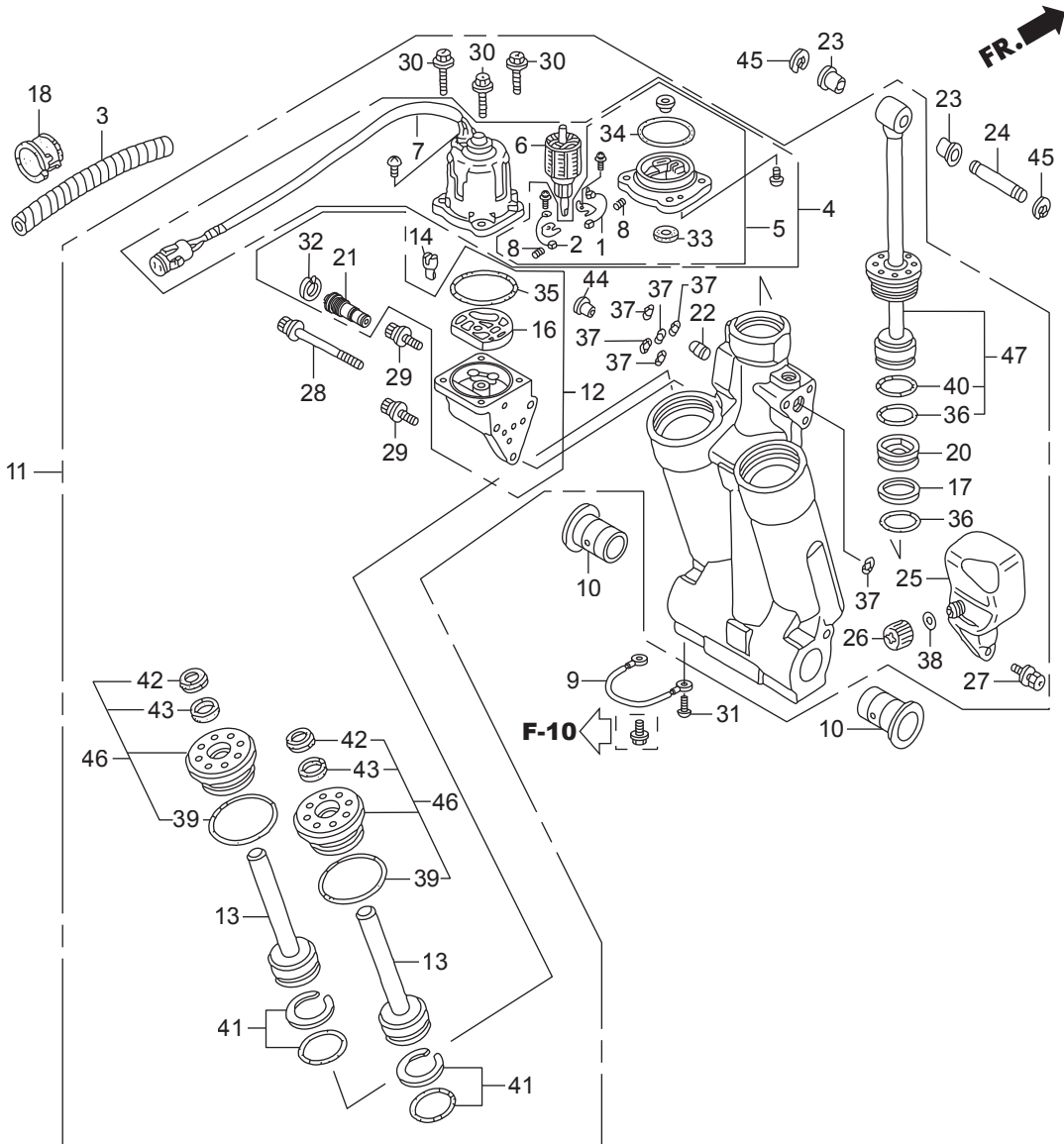
Ref.No.	Part No.	Description	Q'ty				Remarks	
			BFT75A	BFT75AK1	BFT90A	BFT90AK1		
F-10	1	HZW1-06411-020	METAL KIT, ANODE	1	1	1	1	
F-10	2	HZY9-06534-000	PLATE KIT, SPLASH	1	1	1	1	
F-10	3	HZV1-24210-010	SPRING COMP., CLICK	1	1	1	1	
F-10	4	HZV4-24221-010	SPRING, CLICK ASSIST	1	1	1	1	
F-10	5	HZY9-35660-003	SENSOR ASSY., TRIM ANGLE	1	1	1	1	
F-10	6	HZY9-50100-020	FRAME COMP., MOUNTING	1	1	1	1	
F-10	7	HZZ0-50151-000	MOUNT COMP., UPPER RUBBER	2	2	2	2	
F-10	8	HZY9-50153-000	RUBBER, UPPER MOUNT STOPPER	2	2	2	2	
F-10	9	HZY9-50158-000	STOPPER, UPPER MOUNT	2	2	2	2	
F-10	10	HZY9-50166-010	COVER, UPPER MOUNT	1	1	1	1	
F-10	11	HZY9-50168-000	SEAL, UPPER MOUNT COVER	1	1	1	1	
F-10	12	HZY9-50201-020ZC	CASE, SWIVEL	1	1	1	1	*T107* BAY BLUE
F-10	13	HZZ5-50211-000	LINER, SWIVEL CASE	2	2	2	2	
F-10	14	HZW1-50214-000	BUSH, SWIVEL CASE	2	2	2	2	
F-10	15	HZY9-50301-020ZC	BRACKET, R. STERN	1	1	1	1	*T107* BAY BLUE
F-10	16	HZY9-50311-020ZC	BRACKET, L. STERN	1	1	1	1	*T107* BAY BLUE
F-10	17	HZW5-50341-010	ROD, ADJUSTING	1		1		
F-10	18	HZY9-50381-000	SHAFT, TILTING	1	1	1	1	
F-10	19	HZY9-50412-000	PLATE COMP., SPLASH	1	1	1	1	
F-10	20	HZV5-50522-000	BUSH, TILT ARM	2	2	2	2	
F-10	21	HZW1-50527-000	BRACKET, TILTING	1	1	1	1	
F-10	22	HZW1-50529-000	STOPPER, TILT	2	2	2	2	
F-10	23	HZW1-53234-010	PLATE, STEERING	1	1	1	1	
F-10	24	HZW1-53238-010	ROD, STEERING	1	1	1	1	
F-10	25	HZW1-56516-000	RECEIVER, THRUST	2	2	2	2	
F-10	26	HZW1-56539-000	COLLAR, LOWER CYLINDER	1				~6000024
F-10	26	HZZ0-56539-C00	COLLAR, LOWER CYLINDER	1				6000025~
F-10	26	HZZ0-56539-C00	COLLAR, LOWER CYLINDER		1		1	
F-10	26	HZW1-56539-000	COLLAR, LOWER CYLINDER			1		~6000068



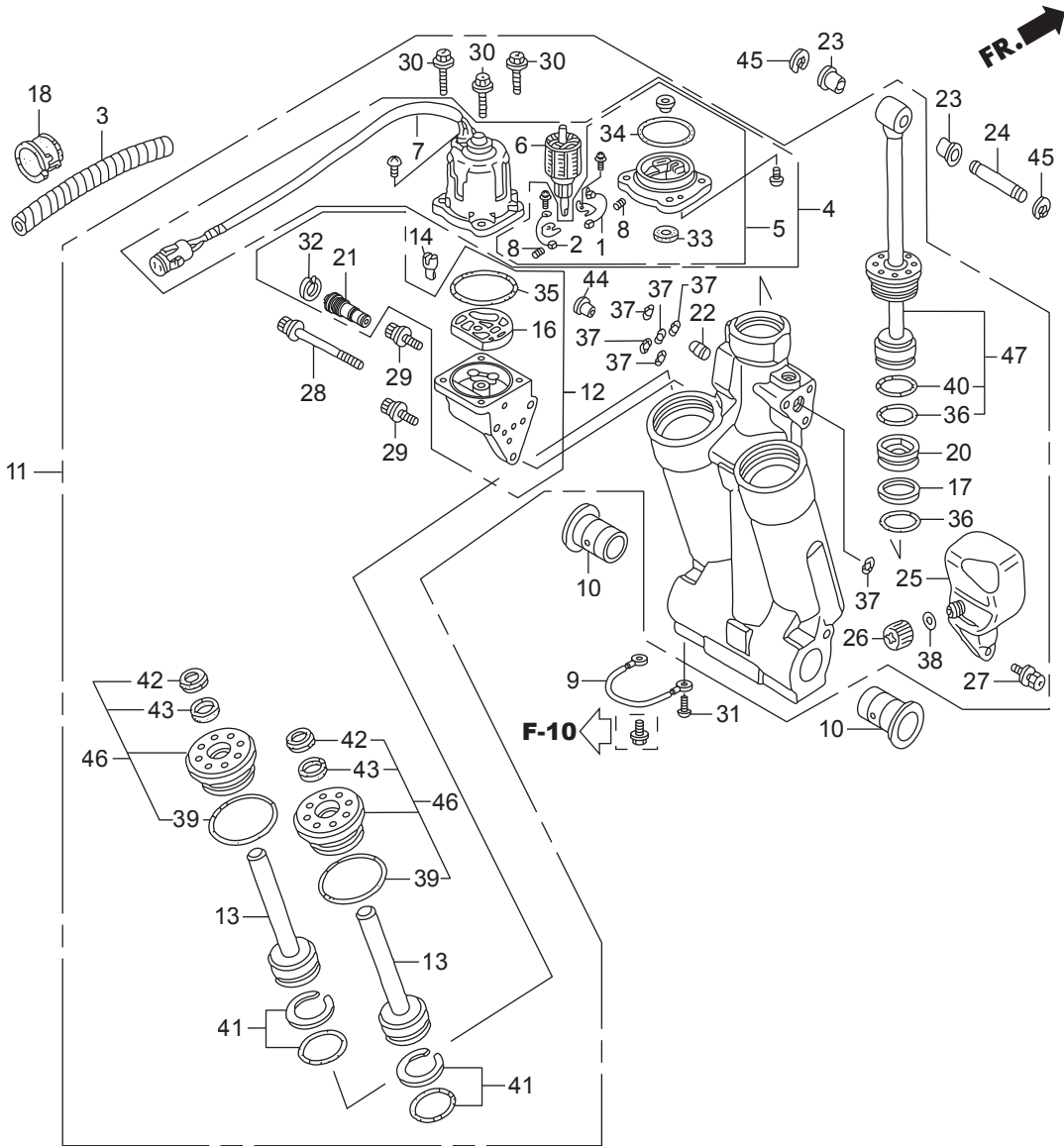
Ref.No.	Part No.	Description	Q'ty				Remarks
			BFT75A	BFT75AK1	BFT90A	BFT90AK1	
F-10	26	HZZ0-56539-C00			1		6000069~
F-10	27	HZW9-90009-000	2	2	2	2	
F-10	28	HZW1-90102-000	2	2	2	2	
F-10	29	HZY9-90102-000	2	2	2	2	
F-10	30	HZW1-90105-000	1	1	1	1	
F-10	31	HZW9-90105-000	2	2	2	2	
F-10	32	HZW1-90108-000	1	1	1	1	
F-10	33	H881-90110-000	1	1	1	1	
F-10	34	HZZ3-90129-000	4	4	4	4	
F-10	35	HZW4-90151-000	8		8		
F-10	35	HZZ0-90151-M00		8		8	
F-10	36	HZW9-90154-000	2	2	2	2	
F-10	37	HHW1-90214-671	2	2	2	2	
F-10	38	HHW1-90215-671	2	2	2	2	
F-10	39	HZW5-90302-003	2	2	2	2	
F-10	40	HZV5-90304-013	1	1	1	1	
F-10	41	HZW1-90304-013	1	1	1	1	
F-10	42	HZW5-90304-000	1		1		
F-10	43	HZW4-90306-003	1	1	1	1	
F-10	44	HZV5-90307-003	2	2	2	2	
F-10	45	HZV5-90501-000	1	1	1	1	
F-10	46	HZV5-90502-000	2	2	2	2	
F-10	47	HZV5-90504-000	1	1	1	1	
F-10	48	HZV4-90514-000	3	3	3	3	
F-10	49	H921-90511-000	1	1	1	1	
F-10	50	HZV5-90552-000	4	4	4	4	
F-10	51	HZV5-90559-000	8	8	8	8	
F-10	52	HZV5-90559-000	1		1		
F-10	53	HZV5-90563-000	2	2	2	2	





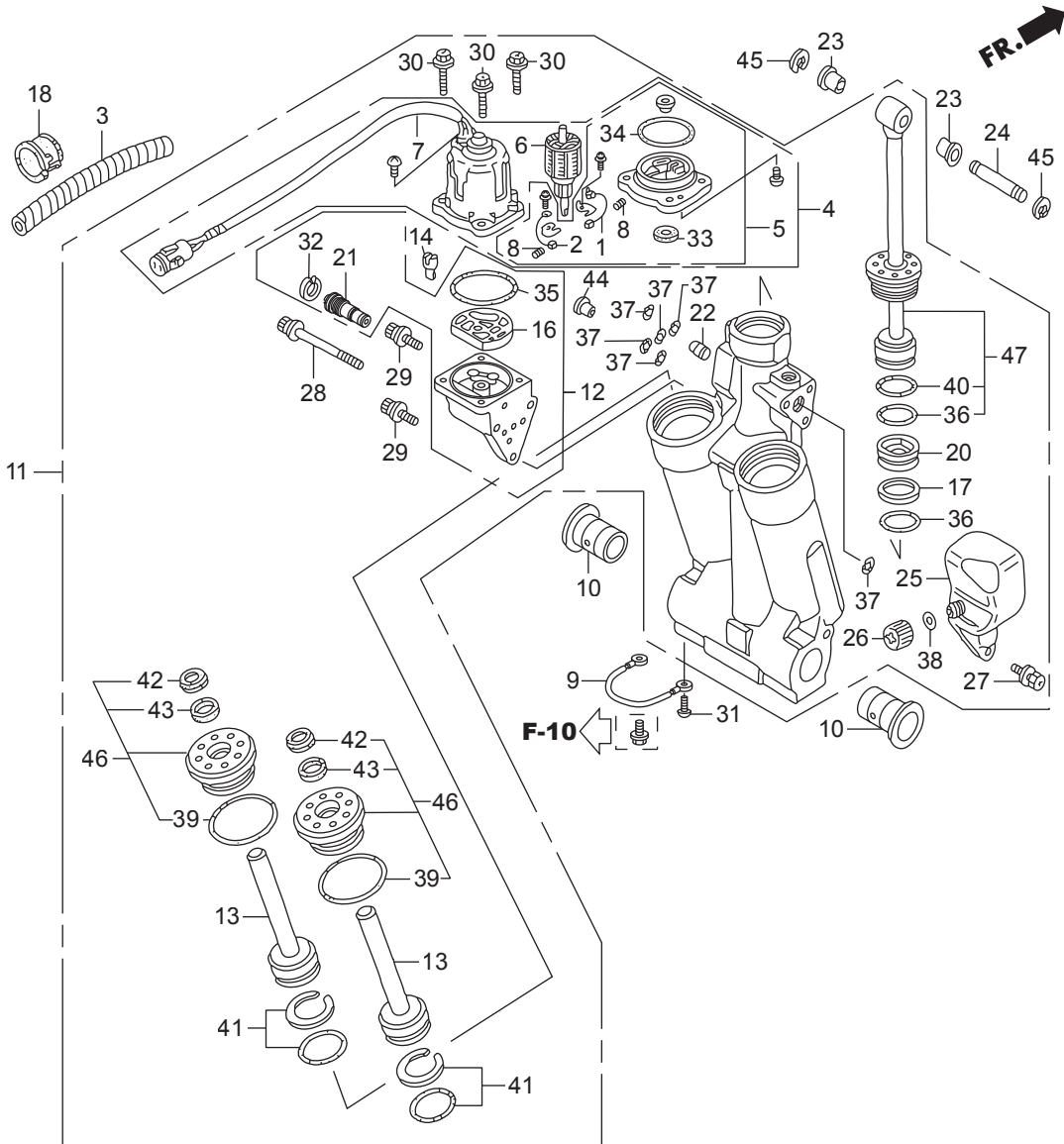


Ref.No.	Part No.	Description	Q'ty				Remarks
			BFT75A	BFT75AK1	BFT90A	BFT90AK1	
F-11	1	HZY3-30280-003	BREAKER ASSY.	1			~6000126
F-11	1	HZX2-30280-003	BREAKER ASSY.	1			6000127~
F-11	1	HZX2-30280-003	BREAKER ASSY.		1	1	
F-11	1	HZY3-30280-003	BREAKER ASSY.			1	~6000457
F-11	1	HZX2-30280-003	BREAKER ASSY.			1	6000458~
F-11	2	HZY3-31106-003	BRUSH ASSY.	1			~6000126
F-11	2	HZX2-31106-003	BRUSH ASSY.	1			6000127~
F-11	2	HZX2-31106-003	BRUSH ASSY.		1	1	
F-11	2	HZY3-31106-003	BRUSH ASSY.			1	~6000457
F-11	2	HZX2-31106-003	BRUSH ASSY.			1	6000458~
F-11	3	HZY9-36104-003	TUBE, SPIRAL(12X14.6)	1	1	1	1
F-11	4	HZY9-36120-003	MOTOR ASSY., POWER TILT	1			~6000126
F-11	4	HZY9-36120-013	MOTOR ASSY., POWER TILT	1			6000127~
F-11	4	HZY9-36120-013	MOTOR ASSY., POWER TILT		1	1	
F-11	4	HZY9-36120-003	MOTOR ASSY., POWER TILT			1	~6000457
F-11	4	HZY9-36120-013	MOTOR ASSY., POWER TILT			1	6000458~
F-11	5	HZW1-36122-013	BRACKET ASSY.	1			~6000126
F-11	5	HZX2-36122-003	BRACKET ASSY.	1			6000127~
F-11	5	HZX2-36122-003	BRACKET ASSY.		1	1	
F-11	5	HZW1-36122-013	BRACKET ASSY.			1	~6000457
F-11	5	HZX2-36122-003	BRACKET ASSY.			1	6000458~
F-11	6	HZW1-36123-013	ARMATURE COMP.	1	1	1	1
F-11	7	HZY9-36129-003	YOKE ASSY.	1	1	1	1
F-11	8	HZV5-36136-821	SPRING, MOTOR	2	2	2	2
F-11	9	HZY3-40219-013	WIRE, LEAD(1.5X116MM)	1	1	1	1
F-11	10	HZV5-50214-003	BUSH, SWIVEL CASE	2	2	2	2
F-11	11	HZY9-56000-013	TRIM-TILT ASSY., POWER	1			~6000126
F-11	11	HZY9-56000-023	TRIM-TILT ASSY., POWER	1			6000127~6000174
F-11	11	HZY9-56000-033	TRIM-TILT ASSY., POWER	1			6000175~

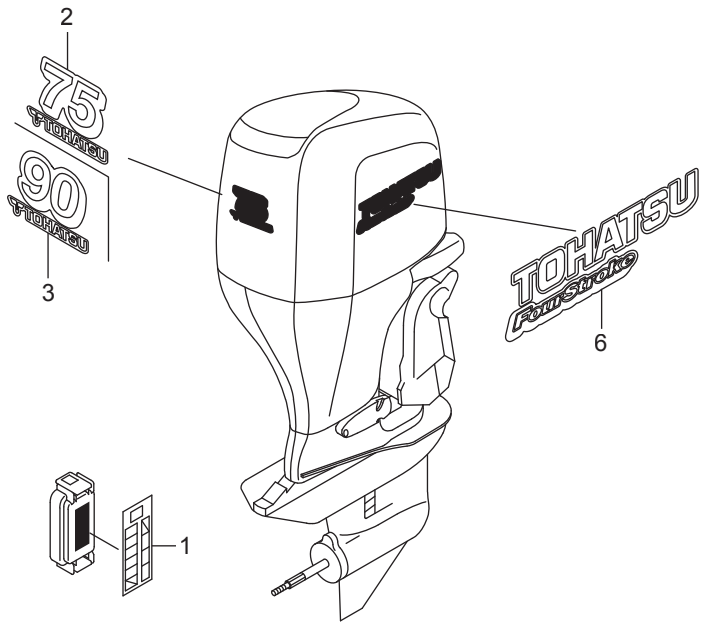
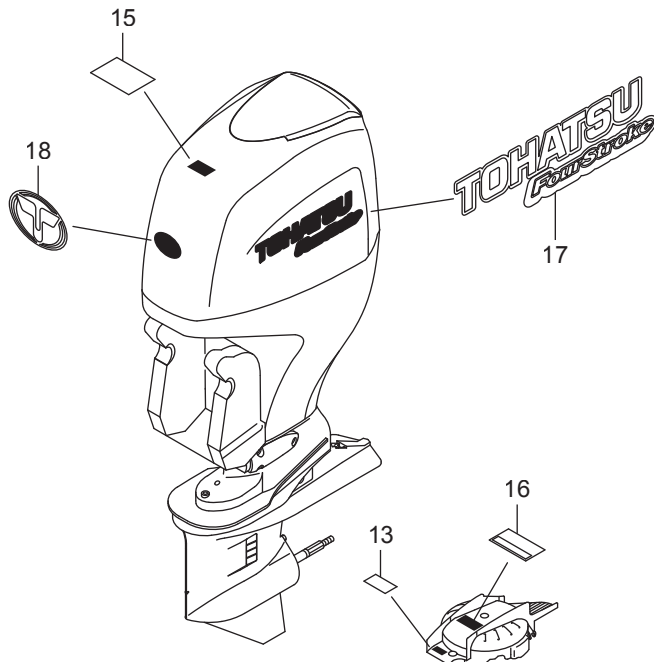




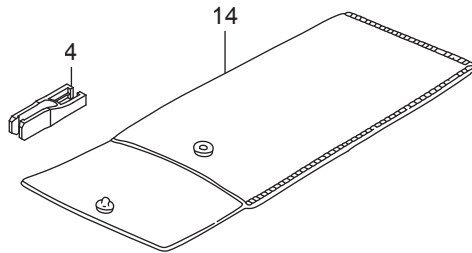
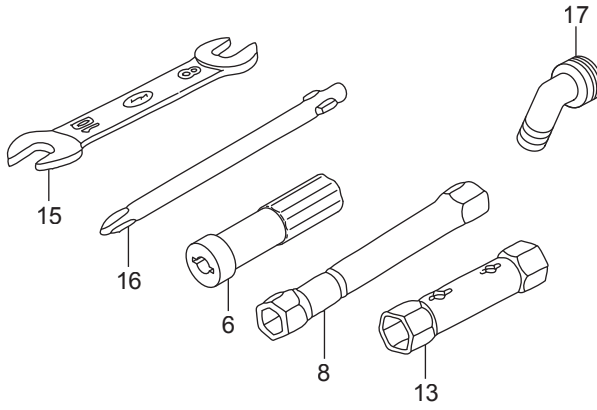
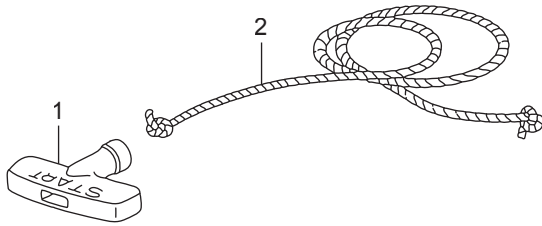
Ref.No.	Part No.	Description	Q'ty				Remarks
			BFT75A	BFT75AK1	BFT90A	BFT90AK1	
F-11	11	HZY9-56000-033		1		1	
F-11	11	HZY9-56000-013			1		~6000457
F-11	11	HZY9-56000-023			1		6000458~6000629
F-11	11	HZY9-56000-033			1		6000630~
F-11	12	HZY9-56100-013	1	1	1	1	
F-11	13	HZW1-56110-701	2	2	2	2	
F-11	14	HZW1-56113-701	1	1	1	1	
F-11	16	HZW1-56116-701	1	1	1	1	
F-11	17	HZV5-56117-821	1	1	1	1	
F-11	18	HZV5-56118-820	1	1	1	1	
F-11	20	HZW1-56130-702	1	1	1	1	
F-11	21	HZY9-56170-003	1	1	1	1	
F-11	22	HZW1-56180-701	1	1	1	1	
F-11	23	HZV5-56513-000	2	2	2	2	
F-11	24	HZW1-56532-000	1				~6000024
F-11	24	HZZ0-56532-C00	1				6000025~
F-11	24	HZZ0-56532-C00		1		1	
F-11	24	HZW1-56532-000			1		~6000068
F-11	24	HZZ0-56532-C00			1		6000069~
F-11	25	HZW1-56851-703	1	1	1	1	
F-11	26	HZW1-56860-701	1	1	1	1	
F-11	27	HZW1-90113-702	3	3	3	3	
F-11	28	HZW1-90114-702	1	1	1	1	
F-11	29	HZW1-90115-702	2	2	2	2	
F-11	30	HZW1-90116-702	4	4	4	4	
F-11	31	HZV5-90119-000	1	1	1	1	
F-11	32	HZW1-90652-702	1	1	1	1	
F-11	33	HZV5-91203-821	1	1	1	1	
F-11	34	HZW1-91207-013	1	1	1	1	



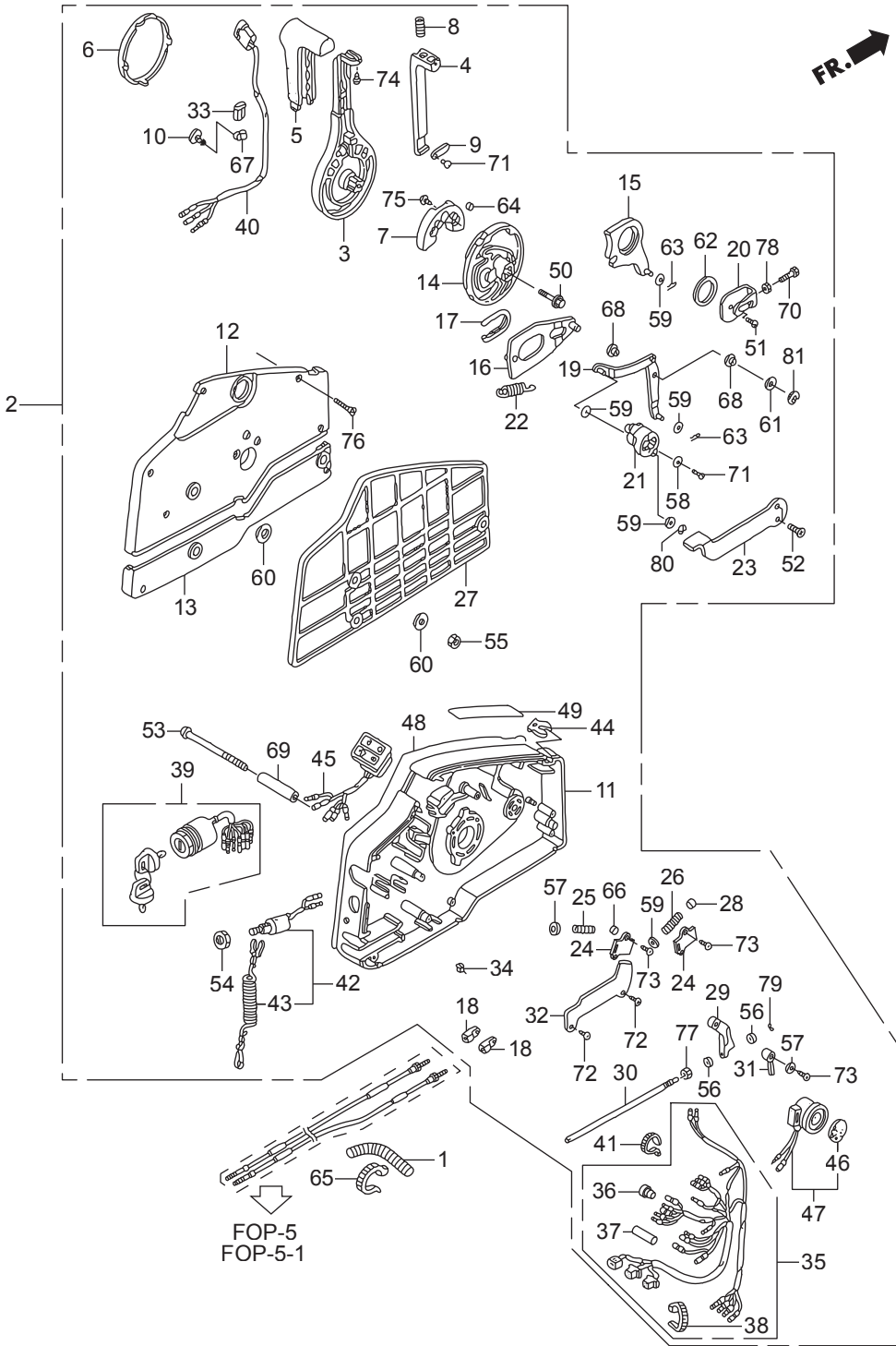
Ref.No.	Part No.	Description	Q'ty				Remarks	
			BFT75A	BFT75AK1	BFT90A	BFT90AK1		
F-11	35	HZV5-91302-821	O-RING, 1.8X69.6	1	1	1	1	
F-11	36	HZV5-91316-821	O-RING, 3.5X38.7	2	2	2	2	
F-11	37	HZW1-91352-702	O-RING, 1.8X7.7	6	6	6	6	
F-11	38	HZW1-91353-703	O-RING, 1.9X11	1	1	1	1	
F-11	39	HZW1-91354-701	O-RING, 3.5X35.7	2	2	2	2	
F-11	40	HZW1-91355-701	O-RING, 3.5X41.7	1	1	1	1	
F-11	41	HZW1-91357-701	O-RING SET, 3.5X31.7	2	2	2	2	
F-11	42	HZW1-91358-701	SEAL, WATER	2				~6000174
F-11	42	HZX2-91358-003	SEAL, WATER	2				6000175~
F-11	42	HZX2-91358-003	SEAL, WATER		2		2	
F-11	42	HZW1-91358-701	SEAL, WATER			2		~6000629
F-11	42	HZX2-91358-003	SEAL, WATER			2		6000630~
F-11	43	HZW1-91361-701	PACKING	2	2	2	2	
F-11	44	HZW1-91557-701	COLLAR, ORIFICE	1	1	1	1	
F-11	45	HCO-94540-15029	E-RING, 15MM	2	2	2	2	
F-11	46	HZY9-56115-003	GUIDE COMP., ROD	2				~6000126
F-11	46	HZY9-56115-013	GUIDE COMP., ROD	2				6000127~6000174
F-11	46	HZY9-56115-023	GUIDE COMP., ROD	2				6000175~
F-11	46	HZY9-56115-023	GUIDE COMP., ROD		2		2	
F-11	46	HZY9-56115-003	GUIDE COMP., ROD			2		~6000457
F-11	46	HZY9-56115-013	GUIDE COMP., ROD			2		6000458~6000629
F-11	46	HZY9-56115-023	GUIDE COMP., ROD			2		6000630~
F-11	47	HZY9-56120-003	ROD COMP., PISTON	1				~6000174
F-11	47	HZY9-56120-013	ROD COMP., PISTON	1				6000175~
F-11	47	HZY9-56120-013	ROD COMP., PISTON		1		1	
F-11	47	HZY9-56120-003	ROD COMP., PISTON			1		~6000629
F-11	47	HZY9-56120-013	ROD COMP., PISTON			1		6000630~









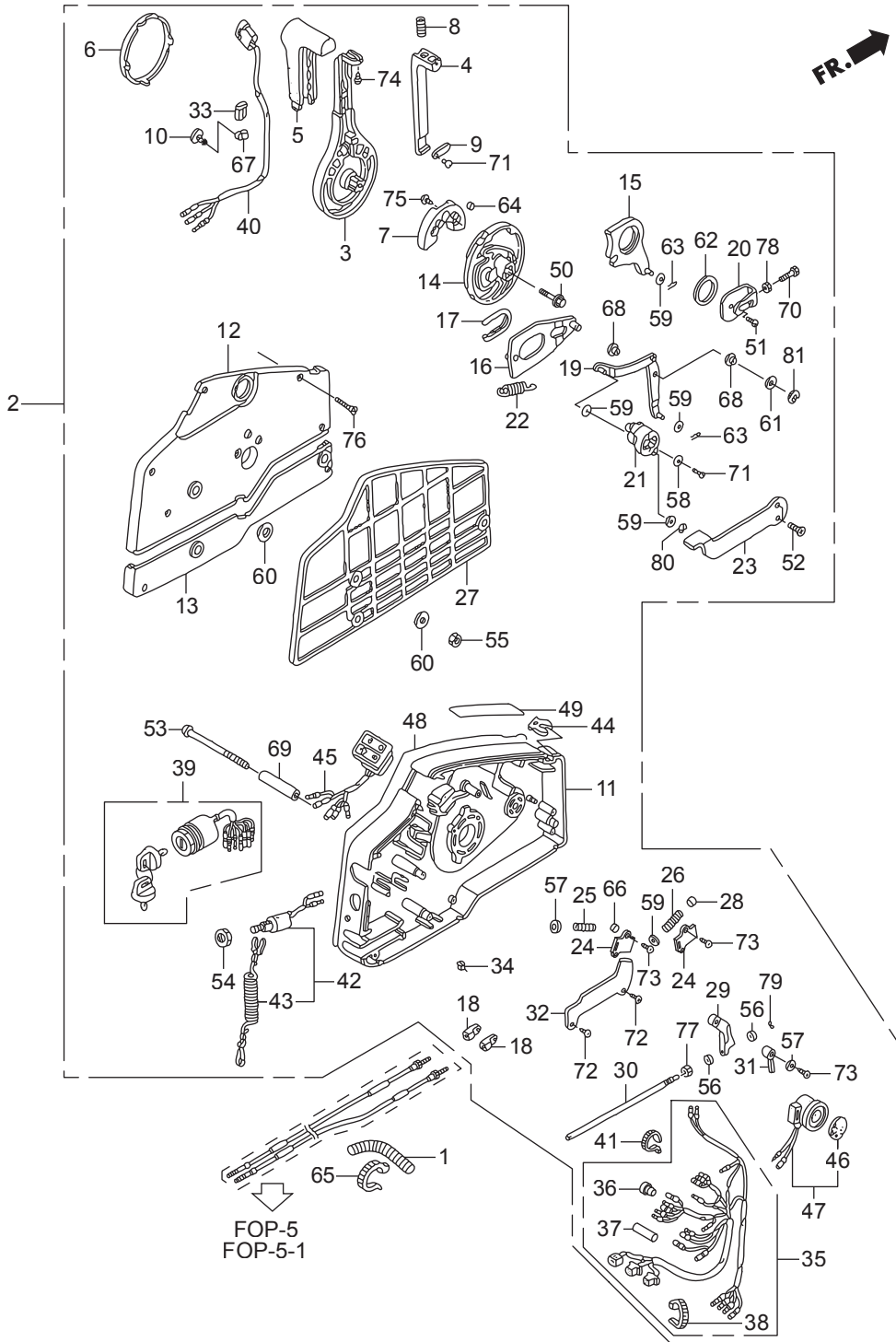




Ref.No.	Part No.	Description	Q'ty				Remarks
			BFT75A	BFT75AK1	BFT90A	BFT90AK1	
F-15	1	HZW1-17736-000	TUBE, CORRUGATE(28MM)	1		1	
F-15	2	HZZ3-24800-R00	BOX ASSY., REMOTE CONTROL(EU)	1		1	(HI-LEX)
F-15	3	HZV5-24811-010	HANDLE, REMOTE CONTROL	1		1	
F-15	4	HZV5-24812-000	LEVER, HANDLE LOCK	1		1	
F-15	5	HZV5-24813-000	GRIP, REMOTE CONTROL HANDLE	1		1	
F-15	6	HZV5-24814-010	CAP, HANDLE	1		1	
F-15	7	HZV5-24815-010	BLOCK, NEUTRAL LOCK	1		1	
F-15	8	HZV5-24816-000	SPRING, REMOTE CONTROL HANDLE	1		1	
F-15	9	HZV5-24817-000	PLATE, LEVER SETTING	1		1	
F-15	10	HZV5-24818-003	CLAMP, HARNESS	1		1	
F-15	11	HZV5-24820-010	HOUSING COMP., REMOTE CONTROL BOX(A)	1		1	
F-15	12	HZV5-24830-010	HOUSING COMP., REMOTE CONTROL BOX(B)	1		1	
F-15	13	HZV5-24836-000	HOUSING, REMOTE CONTROL BOX(C)	1		1	
F-15	14	HZV5-24841-000	WHEEL, CONTROL	1		1	
F-15	15	HZV5-24845-000	ARM COMP., SHIFT LINK	1		1	
F-15	16	HZV5-24850-000	PLATE COMP., SLIDING	1		1	
F-15	17	HZV5-24854-000	COLLAR, SLIDING PLATE	1		1	
F-15	18	HZV5-24855-000	PIVOT, SHIFT	2		2	
F-15	19	HZV5-24860-000	ARM COMP., LINK JOINT	1		1	
F-15	20	HZV5-24865-000	BRACKET, LINK JOINT	1		1	
F-15	21	HZV5-24875-000	WHEEL, ACCELERATOR	1		1	
F-15	22	HZV5-24876-000	SPRING, ACCELERATOR WHEEL	1		1	
F-15	23	HZV5-24878-000	LEVER, IDLE	1		1	
F-15	24	HZV5-24881-000	PLATE, SPRING SETTING	2		2	
F-15	25	HZV5-24883-000	SPRING, SHIFT CLICK	1		1	
F-15	26	HZV5-24884-000	SPRING, CHOKE RETURN	1		1	
F-15	27	HZV5-24885-000	SPACER, REMOTE CONTROL BOX	1		1	
F-15	28	HZV5-24887-000	SPACER, CLICK SPRING	1		1	
F-15	29	HZV5-24891-000	BLOCK, THROTTLE FRICTION	1		1	

F-15

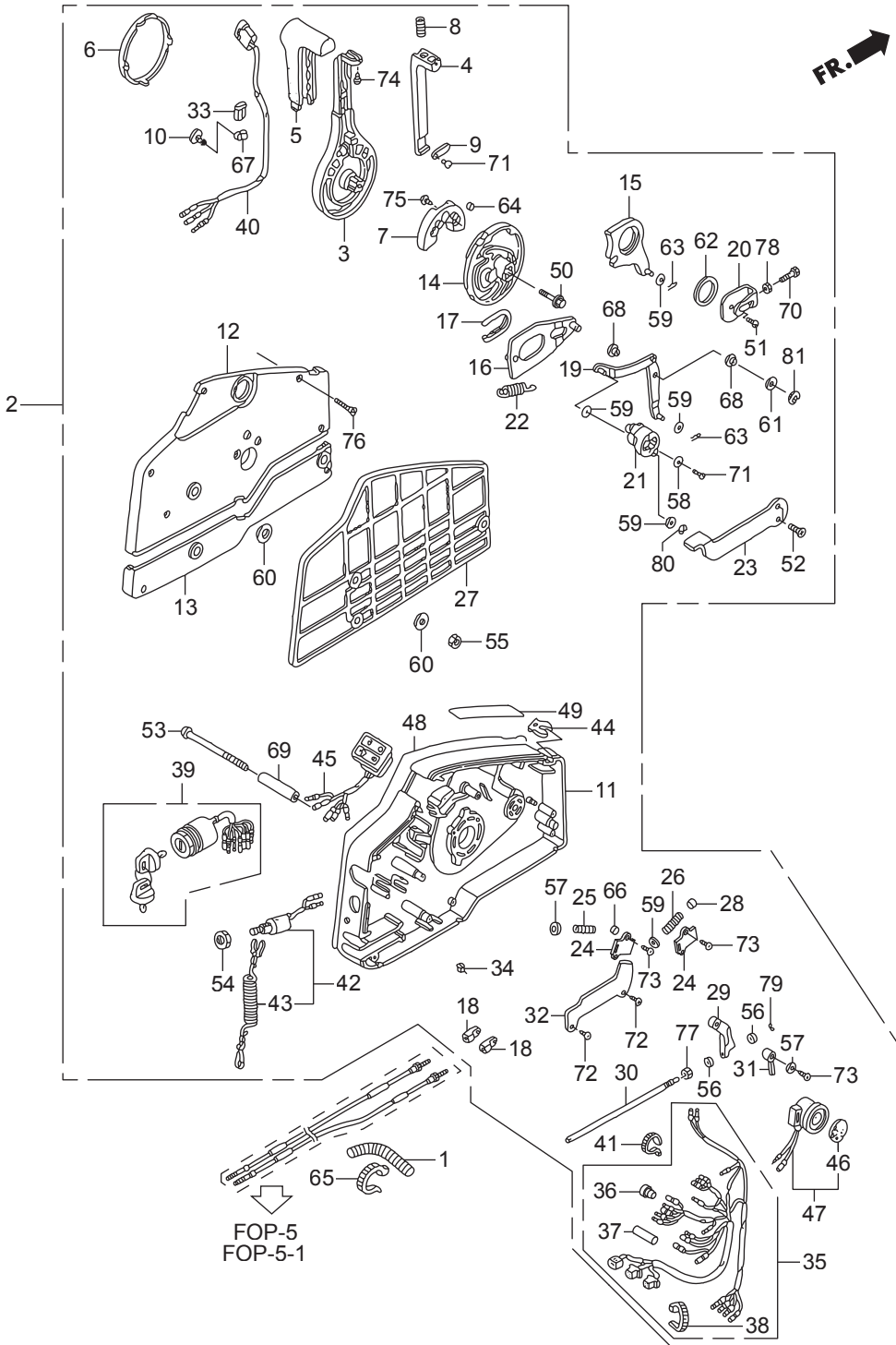
REMOTE CONTROL  
(HI-LEX)(HANDLE CAP = GRAY)



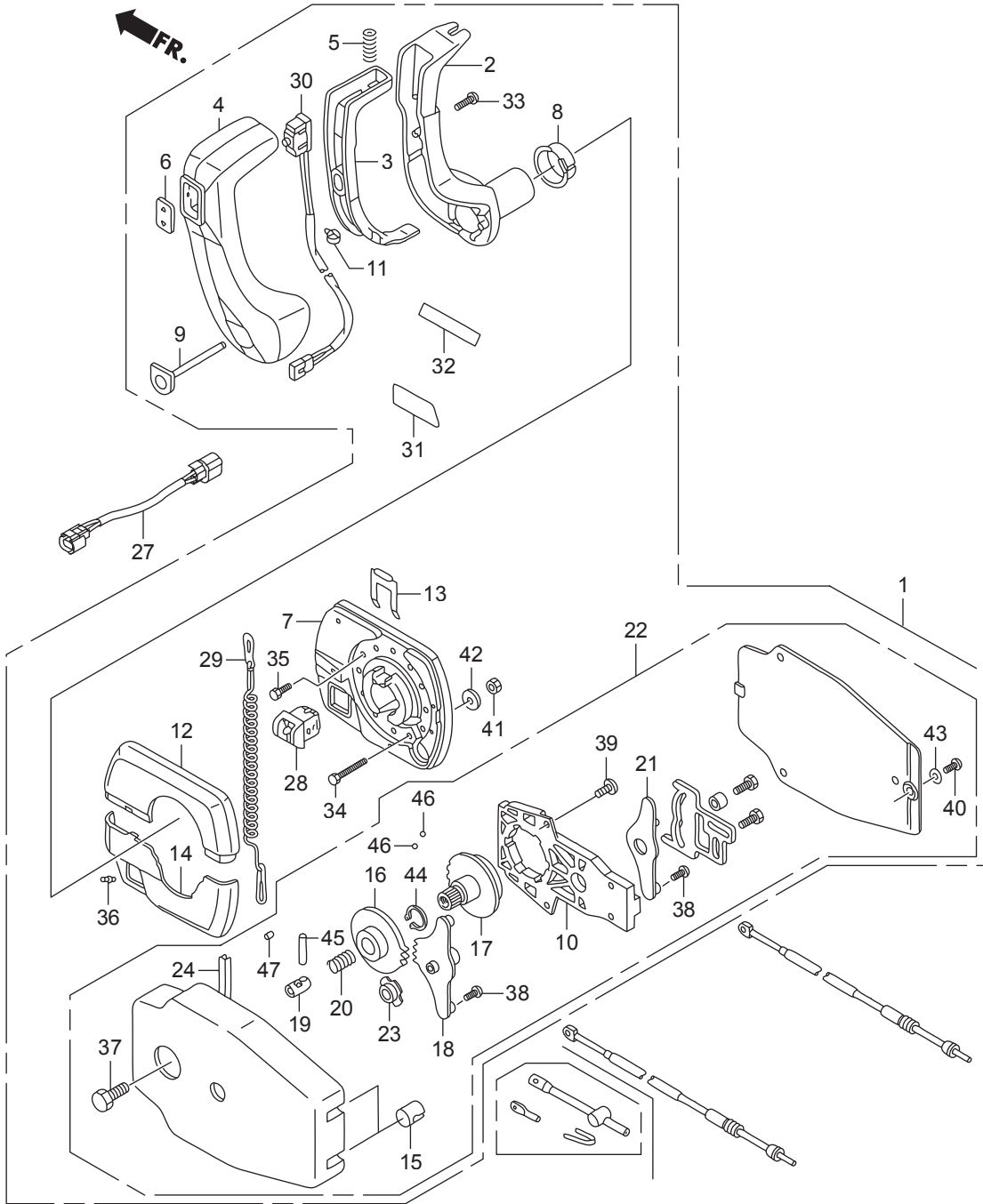
Ref.No.	Part No.	Description	Q'ty			Remarks
			BFT75A	BFT75AK1	BFT90AK1	
F-15	30	HZV5-24892-000	BOLT, FRICTION	1	1	
F-15	31	HZV5-24894-000	SPACER, NEUTRAL SWITCH	1	1	
F-15	32	HZV5-24895-000	CLAMP, POWER TILT CORD	1	1	
F-15	33	HZV5-24897-000	PIPE, HARNESS GUIDE	1	1	
F-15	34	HZV5-24898-000	SPACER, CABLE CLAMP	1	1	
F-15	35	HZZ5-32530-000	CABLE ASSY., REMOTE CONTROL(B)	1	1	
F-15	36	HZV5-32823-003	PLUG, INNER CONNECTOR	7	7	
F-15	37	HZV5-32824-003	PLUG, OUTER CONNECTOR	1	1	
F-15	38	H952-32901-770	TIE, CABLE(NATURAL)(2.4X92)	1	1	
F-15	39	HZZ3-35100-R11	SWITCH ASSY., COMBINATION	1	1	
F-15	40	HZV5-35370-823	SWITCH ASSY., POWER TRIM-TILT	1	1	
F-15	41	HMG9-35701-950	BAND(BLACK 3.5X140)	1	1	
F-15	42	HZV5-36180-033	SWITCH ASSY., EMERGENCY STOP	1	1	
F-15	43	HZV4-36182-651	CORD COMP., EMERGENCY	1	1	
F-15	44	HZV4-36187-652	CLIP, EMERGENCY LOCK	1	1	
F-15	45	HZZ5-37210-013	LAMP ASSY., INDICATION	1	1	
F-15	46	H341-38403-672	PLATE, WINKER BUZZER	1	1	
F-15	47	HZV5-38410-003	BUZZER COMP., WARNING	1	1	
F-15	48	HZZ3-87701-R00	PLATE, REMOTE CONTROL	1	1	
F-15	49	HZW9-87702-800	MARK, FAST IDLE	1	1	
F-15	50	HZW9-90008-000	BOLT, FLANGE, 8X35	1	1	
F-15	51	HMM4-90105-000	SCREW, PAN, 6X10	1	1	
F-15	52	HZW4-90108-000	SCREW, FLAT, 5X12	2	2	
F-15	53	HZV5-90125-000	SCREW, 6X95	3	3	
F-15	54	H921-90302-000	NUT, HEX., 16MM	1	1	
F-15	55	HZV4-90304-000	NUT, HEX., 6MM	3	3	
F-15	56	HZW4-90401-000	WASHER, PLAIN, 4MM	2	2	
F-15	57	HZW4-90402-000	WASHER, PLAIN, 5MM	2	2	
F-15	58	HZV4-90502-000	WASHER, PLAIN, 5MM	1	1	

F-15

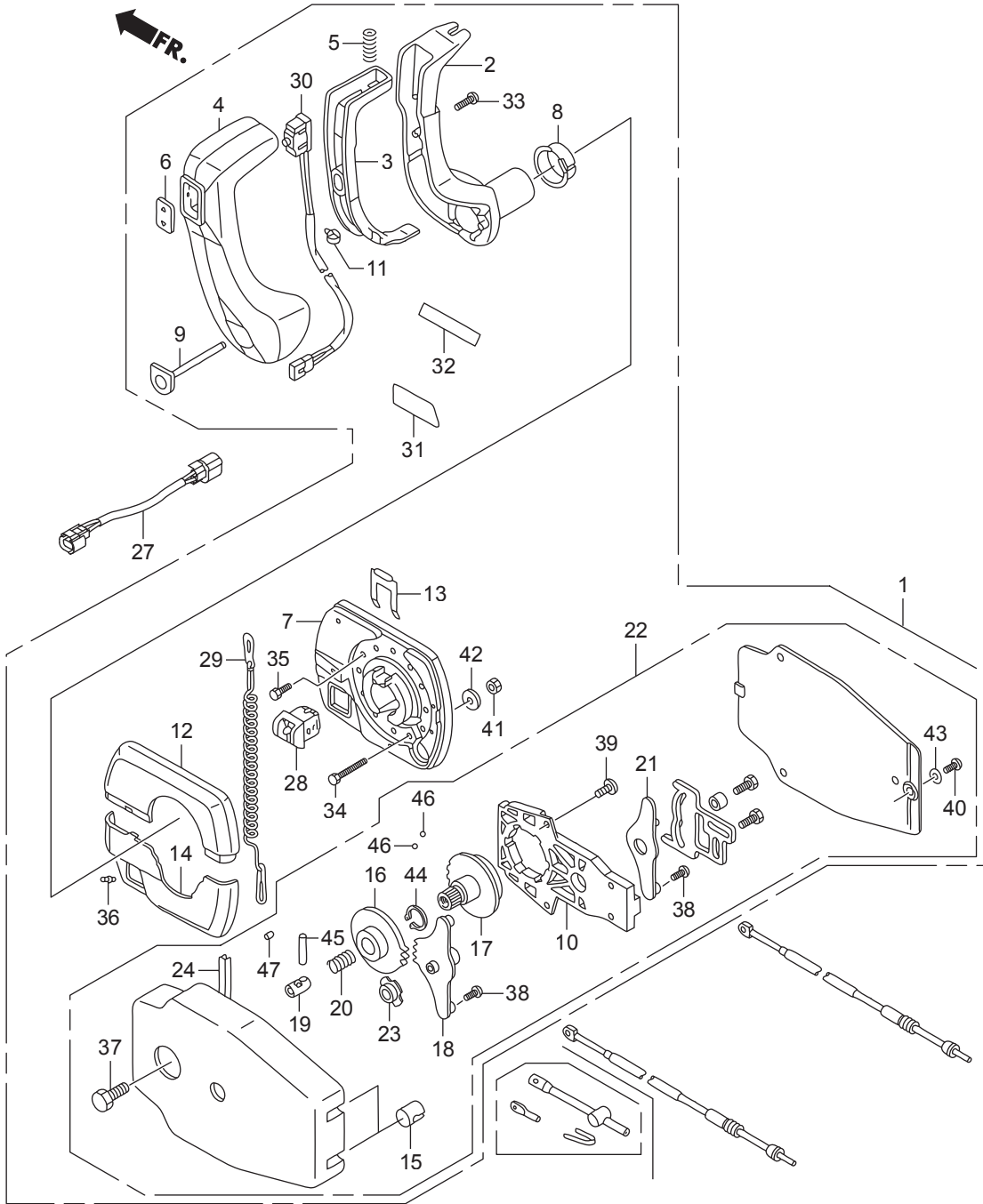
REMOTE CONTROL  
(HI-LEX)(HANDLE CAP = GRAY)







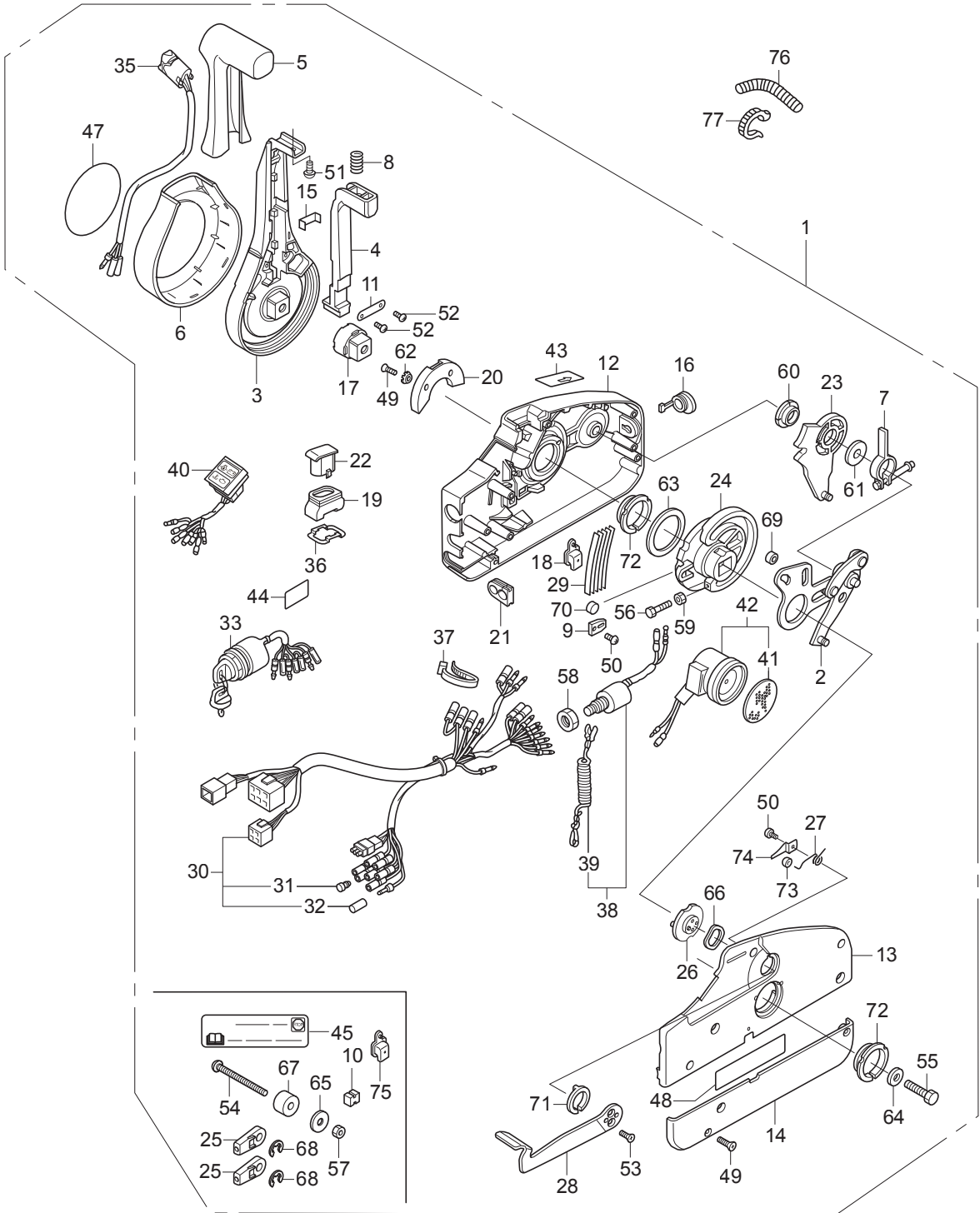
Ref.No.	Part No.	Description	Q'ty				Remarks	
			BFT75A	BFT75AK1	BFT90A	BFT90AK1		
F-15-1	1	HZW1-24800-V21	BOX ASSY., REMOTE CONTROL	1	1	1	1	(PANEL MOUNT)
F-15-1	2	HZW1-24811-V21	HANDLE, REMOTE CONTROL	1	1	1	1	
F-15-1	3	HZW1-24812-V21	LEVER, HANDLE LOCK	1	1	1	1	
F-15-1	4	HZW1-24813-V21	GRIP, REMOTE CONTROL HANDLE	1	1	1	1	
F-15-1	5	HZW1-24816-V21	SPRING, REMOTE CONTROL HANDLE	1	1	1	1	
F-15-1	6	HZW1-24819-V21	COVER, GRIP	1	1	1	1	
F-15-1	7	HZW1-24820-V21	HOUSING ASSY., REMOTE CONTROL BOX(A)	1	1	1	1	
F-15-1	8	HZW1-24821-003	BUSHING	1	1	1	1	
F-15-1	9	HZW1-24822-V21	BUTTON, THROTTLE	1	1	1	1	
F-15-1	10	HZW1-24825-V01	FRAME ASSY., REMOTE CONTROL BOX	1	1	1	1	
F-15-1	11	HZW1-24829-003	BAND, CABLE(B)	1	1	1	1	
F-15-1	12	HZW1-24830-V21	HOUSING, REMOTE CONTROL BOX(B)	1	1	1	1	
F-15-1	13	HZW1-24834-003	RETAINER	1	1	1	1	
F-15-1	14	HZW1-24836-V21	HOUSING, REMOTE CONTROL BOX(C)	1	1	1	1	
F-15-1	15	HZW1-24839-V01	GROMMET	2	2	2	2	
F-15-1	16	HZW1-24841-V01	WHEEL, CONTROL	1	1	1	1	
F-15-1	17	HZW1-24843-V01	SHAFT, HANDLE	1	1	1	1	
F-15-1	18	HZW1-24845-V01	ARM ASSY., SHIFT LINK	1	1	1	1	
F-15-1	19	HZW1-24847-V01	SHAFT, GEAR SHIFT	1	1	1	1	
F-15-1	20	HZW1-24848-V01	SPRING, GEAR SHIFT	1	1	1	1	
F-15-1	21	HZW1-24865-V01	ARM ASSY., THROTTLE LINK	1	1	1	1	
F-15-1	22	HZW1-24870-V21	HOUSING ASSY., INNER(PANEL MOUNT)	1	1	1	1	(PANEL MOUNT)
F-15-1	23	HZW1-24873-V01	BUSH	1	1	1	1	
F-15-1	24	HZW1-24883-V01	SPRING, SHIFT CLICK	5	5	5	5	
F-15-1	27	HZW5-32167-650	HARNESS ASSY., POWER TRIM-TILT	1	1	1	1	
F-15-1	28	HZW1-35180-003	SWITCH ASSY., EMERGENCY STOP	1	1	1	1	
F-15-1	29	HZW1-35182-003	CORD COMP., EMERGENCY	1	1	1	1	
F-15-1	30	HZW1-35370-V01	SWITCH ASSY., POWER TRIM-TILT(A)	1	1	1	1	
F-15-1	31	HZW1-87705-003	MARK, REMOTE CONTROL(A)(PANEL)	1	1	1	1	





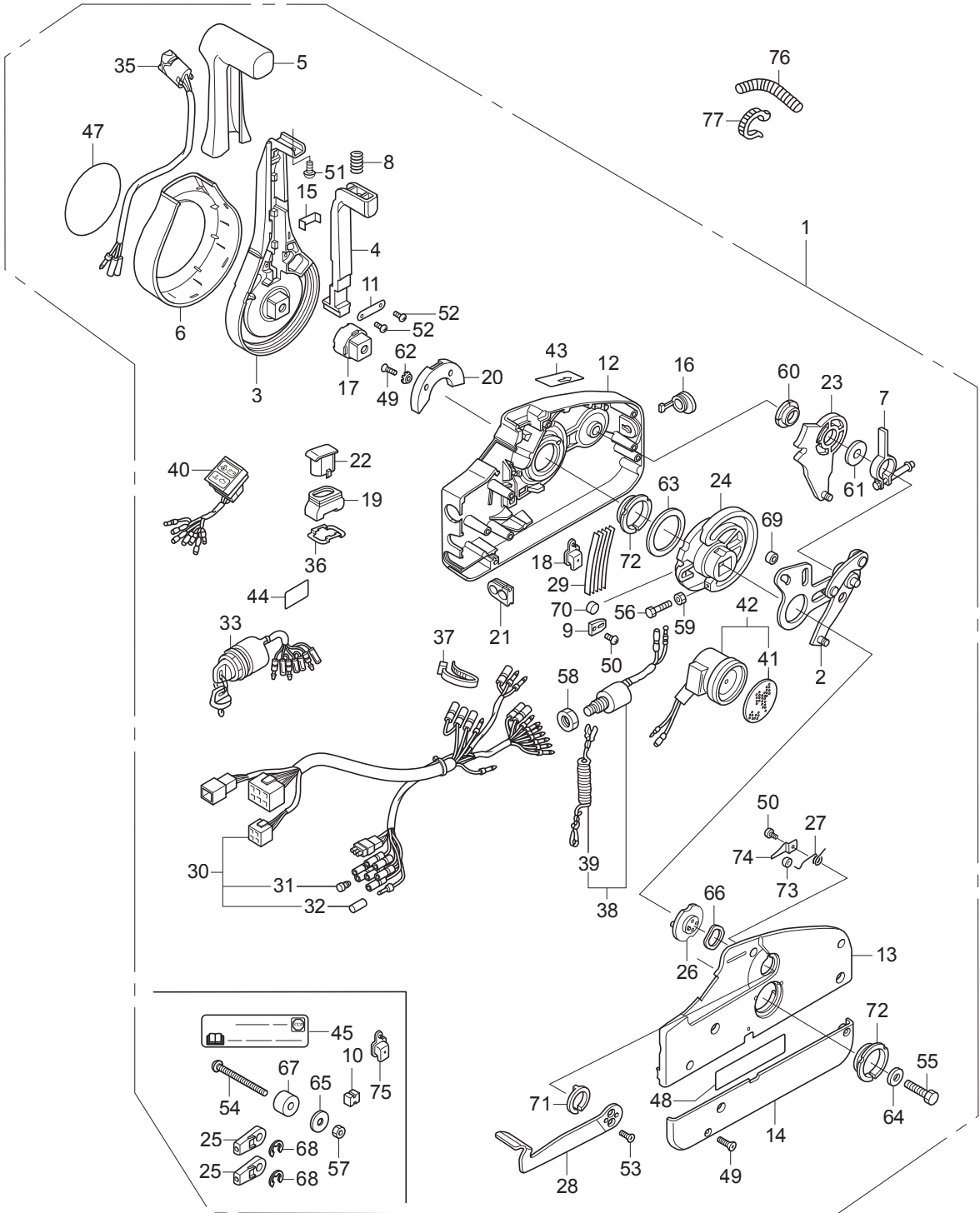


REMOTE CONTROL  
(NHK MEC) (HANDLE CAP = CHROME)

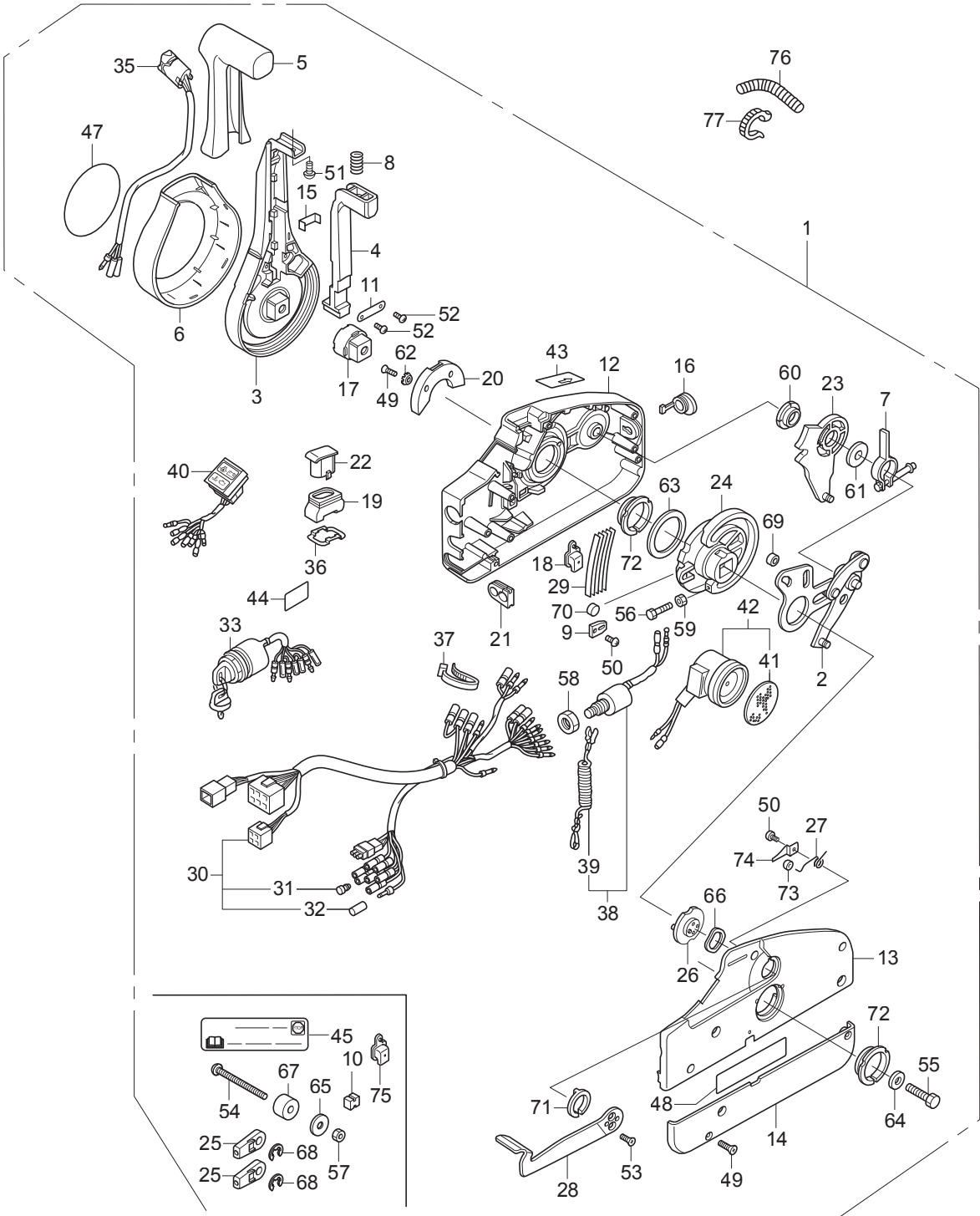


Ref.No.	Part No.	Description	Q'ty				Remarks	
			BFT75A	BFT75AK1	BFT90A	BFT90AK1		
F-15-2	1	HZZ3-24800-P12	BOX ASSY., REMOTE CONTROL	1	1	1	1	(NHK MEC)
F-15-2	2	HZZ5-24810-D01	PLATE ASSY.	1	1	1	1	
F-15-2	3	HZZ5-24811-D01	LEVER, HAND	1	1	1	1	
F-15-2	4	HZZ5-24812-D01	ARM, NEUTRAL LOCK	1	1	1	1	
F-15-2	5	HZZ5-24813-D01	GRIP	1	1	1	1	
F-15-2	6	HZZ5-24814-D01	COVER, LEVER	1	1	1	1	
F-15-2	7	HZZ5-24815-D01	ARM ASSY., BRAKE	1	1	1	1	
F-15-2	8	HZZ5-24816-D01	SPRING(2)	1	1	1	1	
F-15-2	9	HZZ5-24817-D01	CLIP, DETENT	1	1	1	1	
F-15-2	10	HZZ5-24818-D01	SPACER(1)(LOOSE PARTS)	1	1	1	1	
F-15-2	11	HZZ5-24819-D01	BRACKET	1	1	1	1	
F-15-2	12	HZZ5-24821-D01	HOUSING, FR.	1	1	1	1	
F-15-2	13	HZZ5-24822-D01	HOUSING, RR.	1	1	1	1	
F-15-2	14	HZZ5-24823-D01	PANEL, BACK	1	1	1	1	
F-15-2	15	HZZ5-24824-D01	BRACKET, WIRE CLAMP	1	1	1	1	
F-15-2	16	HZZ5-24826-D01	CAP, RUBBER	1	1	1	1	
F-15-2	17	HZZ5-24827-D01	ADJUSTER	1	1	1	1	
F-15-2	18	HZZ5-24828-D01	COVER, POWER TRIM-TILT WIRE	1	1	1	1	
F-15-2	19	HZZ5-24829-D01	SEAL, RUBBER	1	1	1	1	
F-15-2	20	HZZ5-24831-D01	HOLDER, NEUTRAL LOCK	1	1	1	1	
F-15-2	21	HZZ5-24832-D01	GROMMET, WIRE(14)	1	1	1	1	
F-15-2	22	HZZ5-24833-D01	CAP, TROLLING CONTROL SWITCH BLANK	1	1	1	1	
F-15-2	23	HZZ5-24845-D01	GEAR ASSY., SHIFT	1	1	1	1	
F-15-2	24	HZZ5-24850-D01	GEAR, DRIVE	1	1	1	1	
F-15-2	25	HZZ5-24855-D01	TERMINAL, CABLE(LOOSE PARTS)	2	2	2	2	
F-15-2	26	HZZ5-24875-D01	DRUM ASSY., FREE THROTTLE	1	1	1	1	
F-15-2	27	HZZ5-24876-D01	SPRING(1)	1	1	1	1	
F-15-2	28	HZZ5-24878-D01	LEVER, FREE THROTTLE	1	1	1	1	
F-15-2	29	HZZ5-24883-D01	SPRING, DETENT	5	5	5	5	

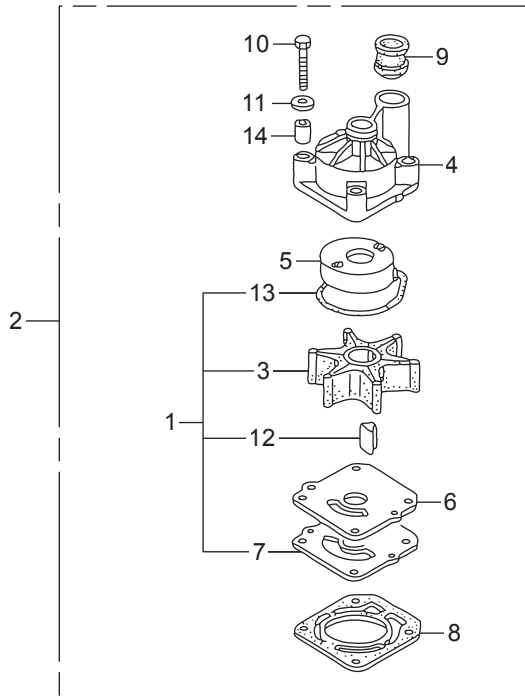
REMOTE CONTROL  
(NHK MEC) (HANDLE CAP = CHROME)



Ref.No.	Part No.	Description	Q'ty				Remarks	
			BFT75A	BFT75AK1	BFT90A	BFT90AK1		
F-15-2	30	HZZ5-32530-D01	CABLE ASSY., REMOTE CONTROL(B)	1	1	1	1	
F-15-2	31	HZV5-32823-003	PLUG, INNER CONNECTOR	7	7	7	7	
F-15-2	32	HZV5-32824-003	PLUG, OUTER CONNECTOR	1	1	1	1	
F-15-2	33	HZZ3-35100-R11	SWITCH ASSY., COMBINATION	1	1	1	1	
F-15-2	35	HZZ5-35370-D02	SWITCH ASSY., POWER TRIM-TILT	1	1	1	1	
F-15-2	36	HZZ3-35645-A41	PLATE, SWITCH	1	1	1	1	
F-15-2	37	HZZ5-35701-D01	BAND, WIRE	1	1	1	1	
F-15-2	38	HZV5-36180-033	SWITCH ASSY., EMERGENCY STOP	1	1	1	1	
F-15-2	39	HZV4-36182-651	CORD COMP., EMERGENCY	1	1	1	1	
F-15-2	40	HZZ5-37210-D01	LAMP ASSY., INDICATION	1	1	1	1	
F-15-2	41	H341-38403-672	PLATE, WINKER BUZZER	1	1	1	1	
F-15-2	42	HZV5-38410-003	BUZZER COMP., WARNING	1	1	1	1	
F-15-2	43	HZZ5-87701-D00	MARK, FAST IDLE	1	1	1	1	
F-15-2	44	HZZ5-87702-A00	MARK, EMERGENCY STOP(US)	1	1	1	1	
F-15-2	45	HZZ5-87702-A00	MARK, EMERGENCY STOP(US)	1	1	1	1	(LOOSE PARTS)
F-15-2	47	HZZ5-87703-P00	MARK, EMBLEM	1	1	1	1	
F-15-2	48	HZZ5-87704-D01	LABEL, SIGP	1	1	1	1	
F-15-2	49	HZZ5-90101-D01	SCREW, 5X18	7	7	7	7	
F-15-2	50	HZZ5-90102-D01	SCREW, 4X6	2	2	2	2	
F-15-2	51	HZZ5-90103-D01	SCREW, 5X10	1	1	1	1	
F-15-2	52	HZZ5-90104-D01	SCREW, 4X10	2	2	2	2	
F-15-2	53	HZZ5-90106-D01	SCREW, 5X12	2	2	2	2	
F-15-2	54	HZZ5-90107-D01	SCREW, 6X90 (LOOSE PARTS)	3	3	3	3	
F-15-2	55	HZZ5-90108-D01	BOLT, 8X50	1	1	1	1	
F-15-2	56	HZZ5-90109-D01	BOLT, 5X25	1	1	1	1	
F-15-2	57	HZZ5-90301-D01	NUT, 6MM (LOOSE PARTS)	3	3	3	3	
F-15-2	58	H921-90302-000	NUT, HEX., 16MM	1	1	1	1	
F-15-2	59	HZZ5-90302-D01	NUT, 5MM	1	1	1	1	
F-15-2	60	HZZ5-90501-D01	BEARING(1)	1	1	1	1	









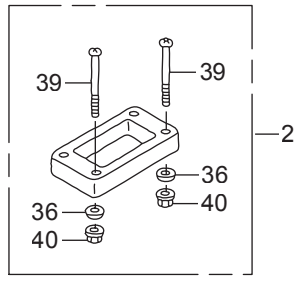
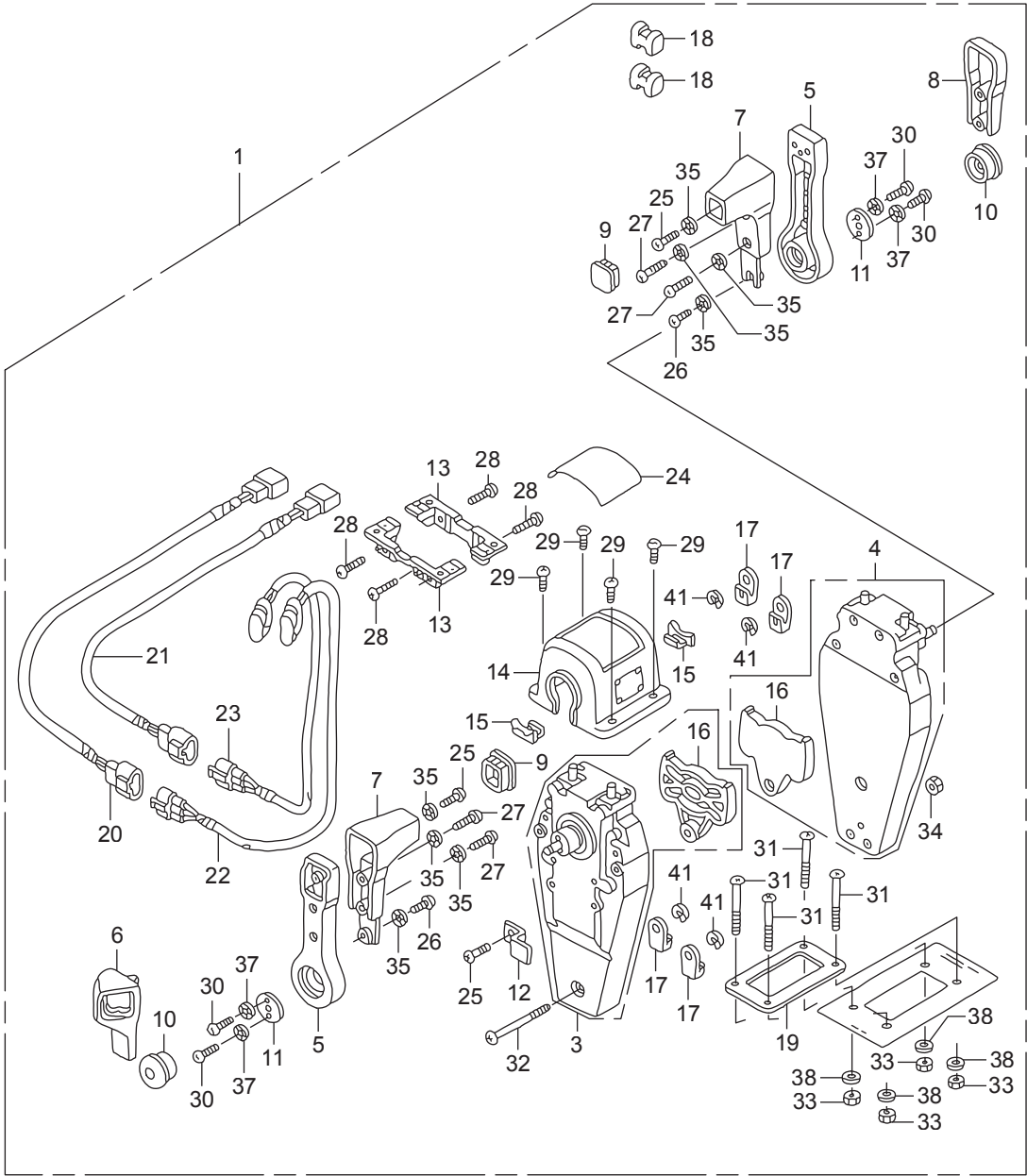




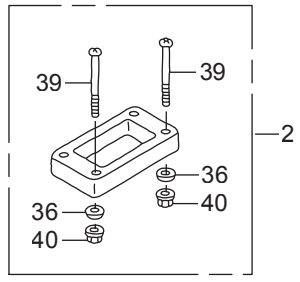
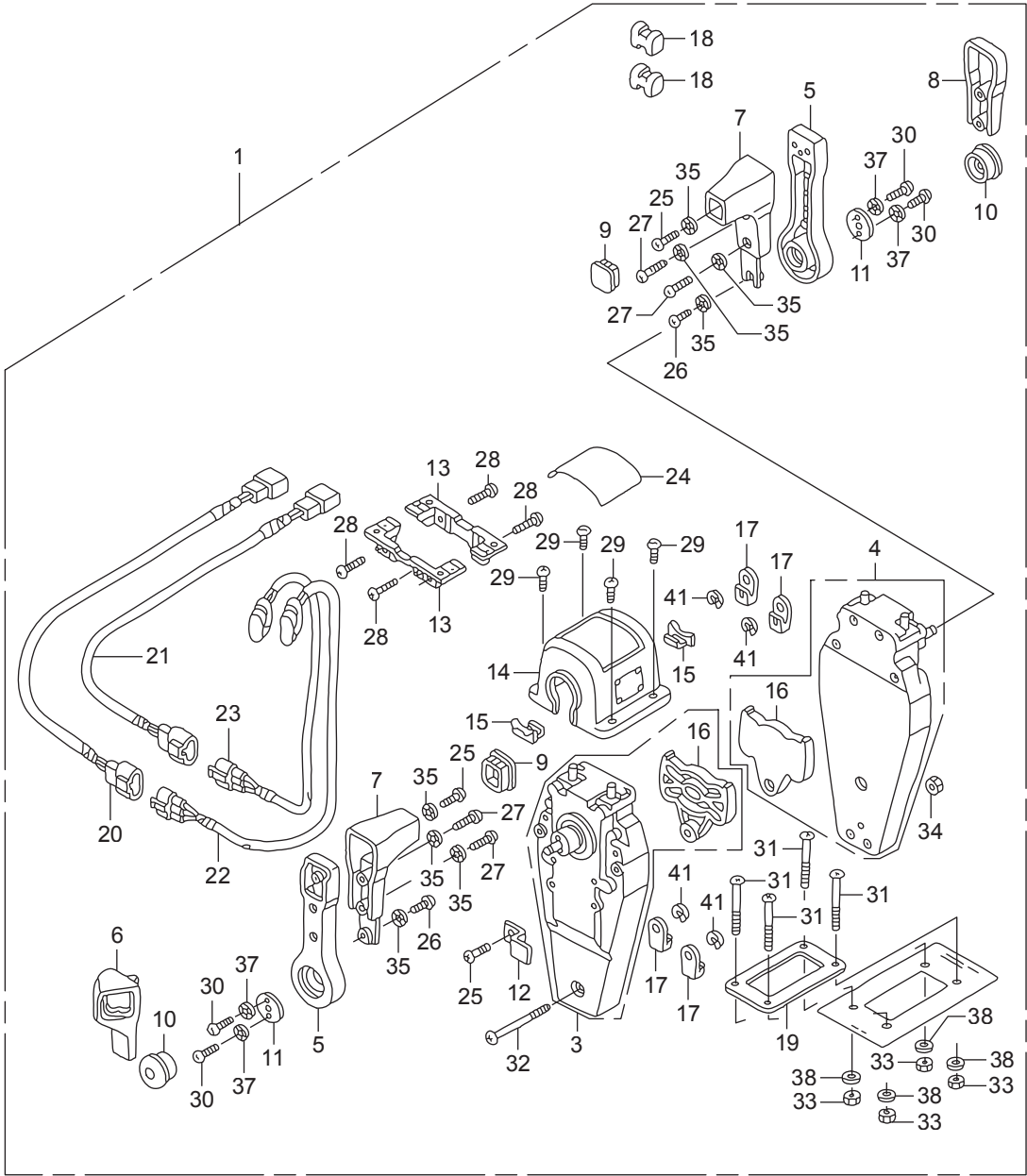
Ref.No.	Part No.	Description	Qty				Remarks	
			BFT75A	BFT75AK1	BFT90A	BFT90AK1		
FOP-4	1	HZZ3-06240-R30	BOX KIT, REMOTE CONTROL	1	1	1	1	(TOP MOUNT SINGLE)(R.)
FOP-4	2	HZW5-06241-U00	SPACER KIT, REMOTE CONTROL BOX	1	1	1	1	(TOP MOUNT SINGLE)
FOP-4	3	HZW5-24810-U01	HOUSING ASSY., L. INNER	1	1	1	1	(TOP MOUNT)
FOP-4	4	HZW5-24811-U01	HANDLE, REMOTE CONTROL	1	1	1	1	
FOP-4	5	HZW5-24812-U01	COVER, L. GRIP	1	1	1	1	
FOP-4	6	HZW5-24813-U01	GRIP, REMOTE CONTROL HANDLE	1	1	1	1	
FOP-4	7	HZW5-24814-U01	CAP, GRIP	1	1	1	1	
FOP-4	8	HZW5-24815-U01	CAP, SWITCH	1	1	1	1	
FOP-4	9	HZW5-24816-U01	BUTTON, THROTTLE	1	1	1	1	
FOP-4	10	HZW5-24817-U01	PLATE, HANDLE	1	1	1	1	
FOP-4	11	HZW5-24818-U01	PLATE, CABLE CLAMP	1	1	1	1	
FOP-4	12	HZW5-24819-U01	BRACKET, REMOTE CONTROL HOUSING	2	2	2	2	
FOP-4	13	HZZ3-24820-R11	HOUSING COMP., REMOTE CONTROL BOX	1	1	1	1	
FOP-4	14	HZW5-24825-U01	HOUSING, LEAD	1	1	1	1	
FOP-4	15	HZW5-24826-U01	PLATE, DWELL	1	1	1	1	
FOP-4	16	HZW5-24831-U01	TERMINAL, CABLE	2	2	2	2	
FOP-4	17	HZW5-24832-U01	SPACER, CABLE CLAMP	1	1	1	1	
FOP-4	18	HZW5-24834-U01	PACKING, SINGLE	1	1	1	1	
FOP-4	19	HZW7-32530-U00	SUB HARNESS ASSY., POWER TRIM-TILT(A)	1	1	1	1	
FOP-4	20	HZW5-35370-U02	SWITCH ASSY., POWER TRIM-TILT(A)	1	1	1	1	
FOP-4	21	HZZ3-87703-R81	MARK, REMOTE CONTROL(SINGLE)	1	1	1	1	
FOP-4	22	HZW5-90101-U00	SCREW, PAN, 5X16	2	2	2	2	
FOP-4	23	HZW5-90102-U00	SCREW, PAN, 5X10	1	1	1	1	
FOP-4	24	HZW5-90103-U01	SCREW, PAN, 5X20	2	2	2	2	
FOP-4	25	HZW5-90104-U00	SCREW, PAN, 5X18	4	4	4	4	
FOP-4	26	HZW5-90105-U01	SCREW, PAN, 4X10	2	2	2	2	
FOP-4	27	HZW5-90106-U00	SCREW, PAN, 6X18	2	2	2	2	
FOP-4	28	HZW5-90107-U00	SCREW, PAN, 5X40	4	4	4	4	
FOP-4	29	HZW5-90301-U00	NUT, HEX., 5MM	4	4	4	4	





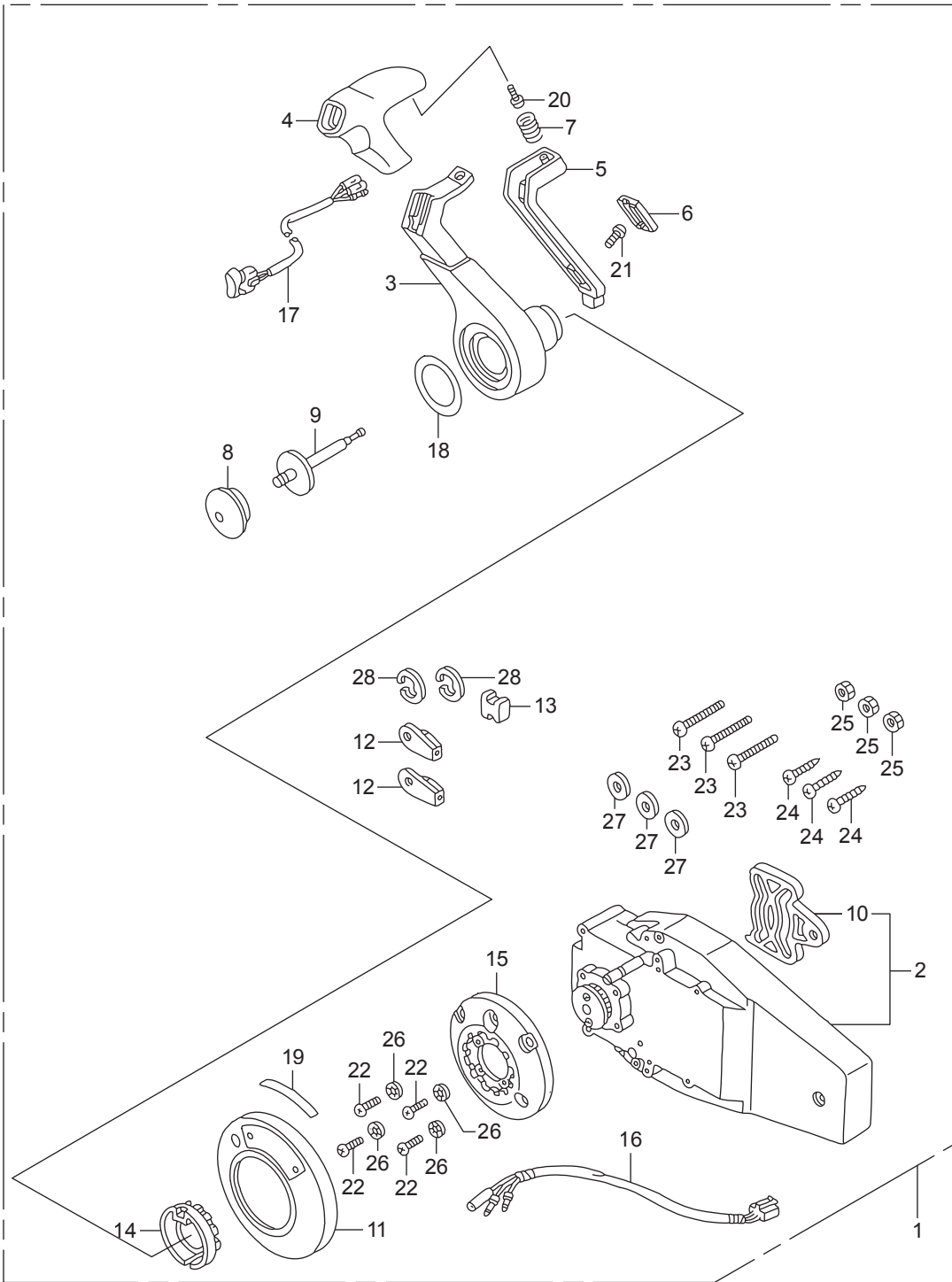


Ref.No.	Part No.	Description	Q'ty				Remarks	
			BFT75A	BFT75AK1	BFT90A	BFT90AK1		
FOP-4-2	1	HZZ3-06240-R60	BOX KIT, REMOTE CONTROL	1	1	1	1	(TOP MOUNT DUAL)(R.)
FOP-4-2	2	HZW5-06241-U10	SPACER KIT, REMOTE CONTROL BOX	1	1	1	1	(TOP MOUNT DUAL)
FOP-4-2	3	HZW5-24810-U01	HOUSING ASSY., L. INNER	1	1	1	1	(TOP MOUNT)
FOP-4-2	4	HZW5-24810-U11	HOUSING ASSY., R. INNER	1	1	1	1	(TOP MOUNT)
FOP-4-2	5	HZW5-24811-U01	HANDLE, REMOTE CONTROL	2	2	2	2	
FOP-4-2	6	HZW5-24812-U01	COVER, L. GRIP	1	1	1	1	
FOP-4-2	7	HZW5-24813-U01	GRIP, REMOTE CONTROL HANDLE	2	2	2	2	
FOP-4-2	8	HZW5-24813-U21	COVER, DUAL GRIP	1	1	1	1	
FOP-4-2	9	HZW5-24814-U01	CAP, GRIP	2	2	2	2	
FOP-4-2	10	HZW5-24816-U01	BUTTON, THROTTLE	2	2	2	2	
FOP-4-2	11	HZW5-24817-U01	PLATE, HANDLE	2	2	2	2	
FOP-4-2	12	HZW5-24818-U01	PLATE, CABLE CLAMP	1	1	1	1	
FOP-4-2	13	HZW5-24819-U01	BRACKET, REMOTE CONTROL HOUSING	2	2	2	2	
FOP-4-2	14	HZZ3-24820-R21	HOUSING COMP., REMOTE CONTROL BOX(DUAL)	1	1	1	1	
FOP-4-2	15	HZW5-24825-U01	HOUSING, LEAD	2	2	2	2	
FOP-4-2	16	HZW5-24826-U01	PLATE, DWELL	2	2	2	2	
FOP-4-2	17	HZW5-24831-U01	TERMINAL, CABLE	4	4	4	4	
FOP-4-2	18	HZW5-24832-U01	SPACER, CABLE CLAMP	2	2	2	2	
FOP-4-2	19	HZW5-24834-U21	PACKING, DUAL	1	1	1	1	
FOP-4-2	20	HZW7-32530-U00	SUB HARNESS ASSY., POWER TRIM-TILT(A)	1	1	1	1	
FOP-4-2	21	HZW7-32530-U10	SUB HARNESS ASSY., POWER TRIM-TILT(B)	1	1	1	1	
FOP-4-2	22	HZW5-35370-U02	SWITCH ASSY., POWER TRIM-TILT(A)	1	1	1	1	
FOP-4-2	23	HZW5-35370-U12	SWITCH ASSY., POWER TRIM-TILT(B)	1	1	1	1	
FOP-4-2	24	HZZ3-87703-R01	MARK, REMOTE CONTROL(DUAL)	1	1	1	1	
FOP-4-2	25	HZW5-90101-U00	SCREW, PAN, 5X16	3	3	3	3	
FOP-4-2	26	HZW5-90102-U00	SCREW, PAN, 5X10	2	2	2	2	
FOP-4-2	27	HZW5-90103-U01	SCREW, PAN, 5X20	4	4	4	4	
FOP-4-2	28	HZW5-90104-U00	SCREW, PAN, 5X18	4	4	4	4	
FOP-4-2	29	HZW5-90105-U01	SCREW, PAN, 4X10	4	4	4	4	

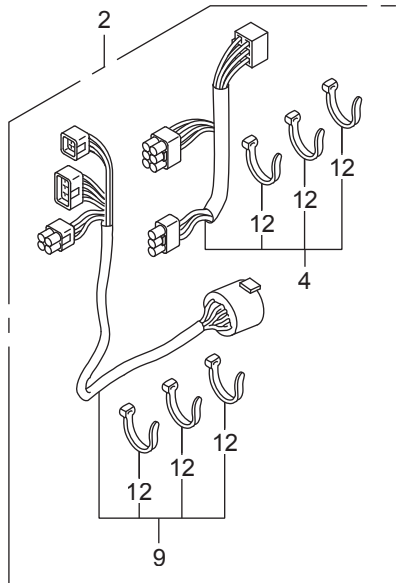
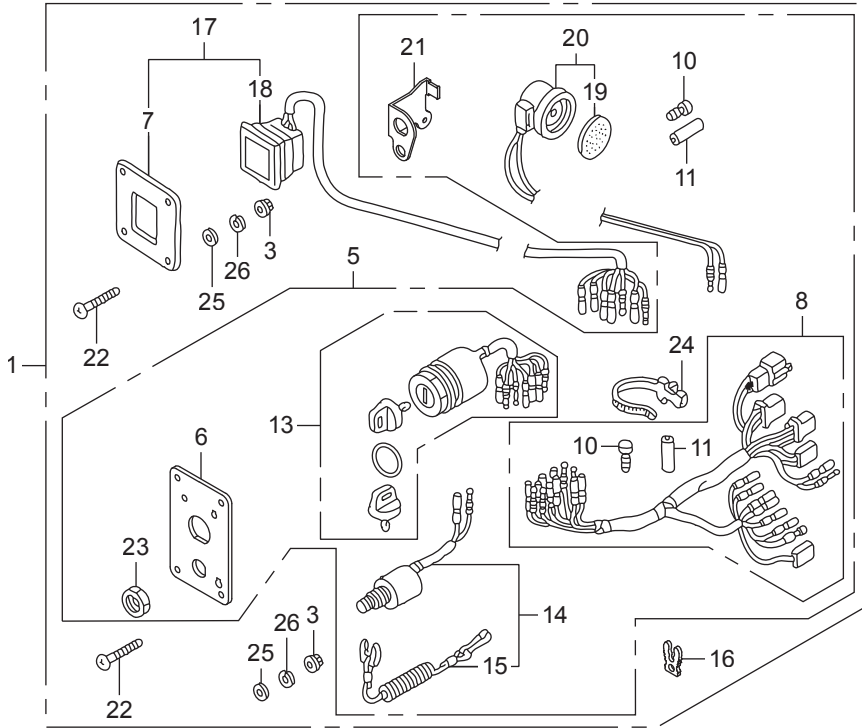




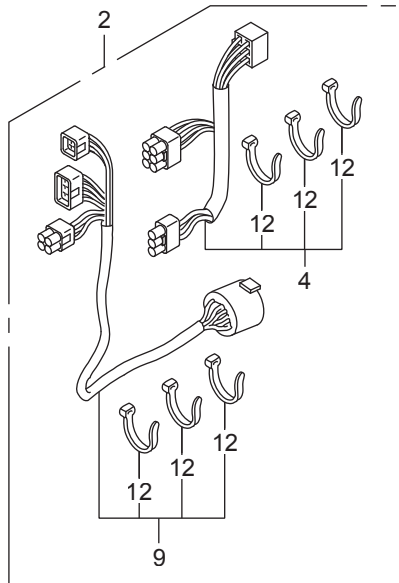
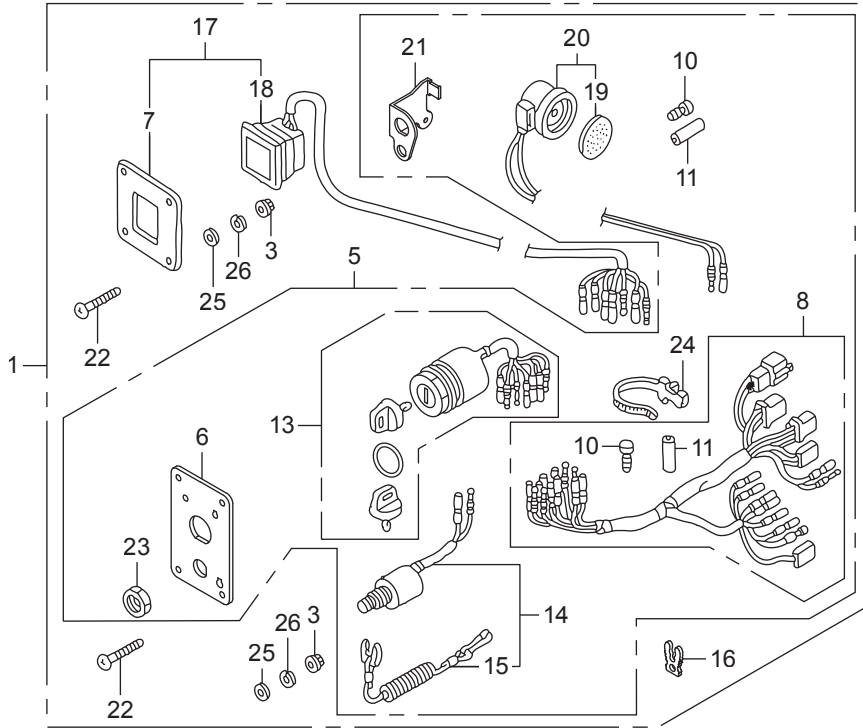




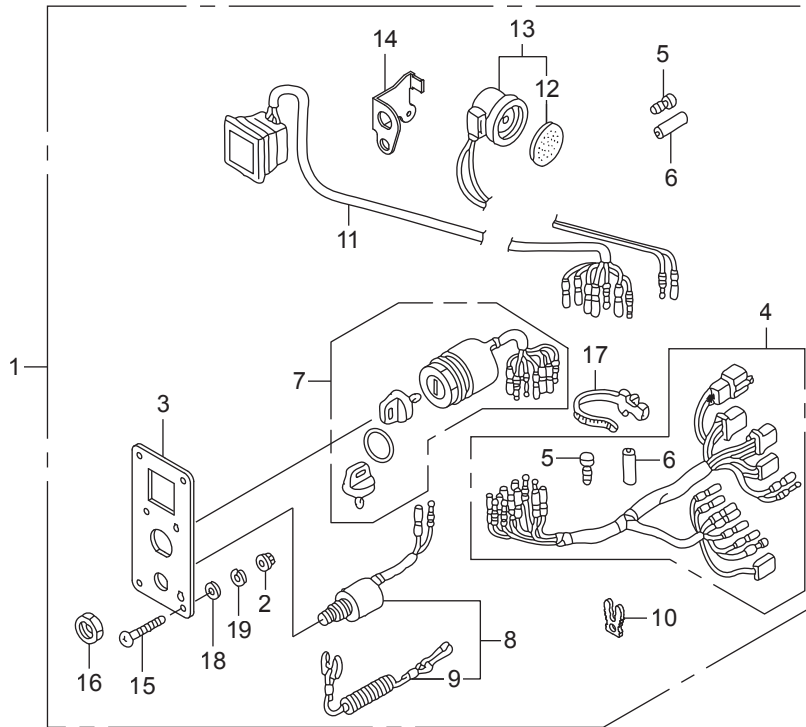
Ref.No.	Part No.	Description	Q'ty				Remarks	
			BFT75A	BFT75AK1	BFT90A	BFT90AK1		
FOP-4-4	1	HZZ3-06240-R40	BOX KIT, REMOTE CONTROL	1	1	1	1	(FLUSH MOUNT)(R.)
FOP-4-4	2	HZW7-24810-U01	HOUSING ASSY., R. INNER	1	1	1	1	(FLUSH MOUNT)
FOP-4-4	3	HZW7-24811-U01	HANDLE, REMOTE CONTROL	1	1	1	1	
FOP-4-4	4	HZW7-24812-U01	COVER, GRIP	1	1	1	1	
FOP-4-4	5	HZW7-24813-U01	ARM, NEUTRAL LOCK	1	1	1	1	
FOP-4-4	6	HZW7-24814-U01	COVER, LOCK ARM	1	1	1	1	
FOP-4-4	7	HZW7-24815-U01	SPRING, NEUTRAL LOCK ARM	1	1	1	1	
FOP-4-4	8	HZW5-24816-U01	BUTTON, THROTTLE	1	1	1	1	
FOP-4-4	9	HZW7-24817-U01	SHAFT, THROTTLE BUTTON	1	1	1	1	
FOP-4-4	10	HZW5-24826-U01	PLATE, DWELL	1	1	1	1	
FOP-4-4	11	HZZ3-24830-R41	COVER ASSY.	1	1	1	1	
FOP-4-4	12	HZW5-24831-U01	TERMINAL, CABLE	2	2	2	2	
FOP-4-4	13	HZW5-24832-U01	SPACER, CABLE CLAMP	1	1	1	1	
FOP-4-4	14	HZW7-24832-U01	HOLDER, NEUTRAL LOCK	1	1	1	1	
FOP-4-4	15	HZW7-24833-U01	BASE	1	1	1	1	
FOP-4-4	16	HZW7-32530-U20	SUB HARNESS ASSY., POWER TRIM-TILT(C)	1	1	1	1	
FOP-4-4	17	HZW7-35370-U02	SWITCH ASSY., POWER TRIM-TILT(C)	1	1	1	1	
FOP-4-4	18	HZZ3-87701-R40	MARK, HANDLE FLUSH MOUNT	1	1	1	1	
FOP-4-4	19	HZW7-87703-U00	MARK, FLUSH MOUNT	1	1	1	1	
FOP-4-4	20	HZW5-90101-U00	SCREW, PAN, 5X16	1	1	1	1	
FOP-4-4	21	HZW7-90101-U01	SCREW, TRUSS, 4X12	1	1	1	1	
FOP-4-4	22	HZW7-90102-U01	SCREW, PAN, 5X30	4	4	4	4	
FOP-4-4	23	HZW7-90103-U01	SCREW, PAN, 6X35	3	3	3	3	
FOP-4-4	24	HZW7-90104-U01	SCREW, TAPPING, 6X30	3	3	3	3	
FOP-4-4	25	HZW7-90301-U01	NUT, HEX., 6MM	3	3	3	3	
FOP-4-4	26	HZW5-90501-U00	WASHER, LOCK, 5MM	4	4	4	4	
FOP-4-4	27	HZW7-90502-U00	WASHER, PLAIN, 6MM	3	3	3	3	
FOP-4-4	28	HCO-94540-06029	E-RING, 6MM	2	2	2	2	



Ref.No.	Part No.	Description	Q'ty				Remarks	
			BFT75A	BFT75AK1	BFT90A	BFT90AK1		
FOP-6	1	HZZ3-06323-R20	PANEL KIT, SWITCH(B)(4-LED)	1	1	1	1	
FOP-6	2	HZZ5-06325-600	CABLE SET, PANEL INDICATOR	1	1	1	1	(20FT)
FOP-6	2	HZZ5-06325-700	CABLE SET, PANEL INDICATOR	1	1	1	1	(25FT)
FOP-6	2	HZZ5-06325-800	CABLE SET, PANEL INDICATOR	1	1	1	1	(30FT)
FOP-6	3	HMT8-18334-770	NUT, FLANGE, 5MM	8	8	8	8	
FOP-6	4	HZZ5-32185-600	CORD ASSY., INDICATOR(20FT)	1	1	1	1	
FOP-6	4	HZZ5-32185-700	CORD ASSY., INDICATOR(25FT)	1	1	1	1	
FOP-6	4	HZZ5-32185-800	CORD ASSY., INDICATOR(30FT)	1	1	1	1	
FOP-6	5	HZZ3-32341-R31	PANEL ASSY., SWITCH	1	1	1	1	
FOP-6	6	HZZ3-32346-R21	PANEL, CONTROL	1	1	1	1	
FOP-6	7	HZZ3-32347-R01	PANEL, CONTROL	1	1	1	1	
FOP-6	8	HZZ5-32545-000	HARNESS ASSY., SWITCH PANEL	1	1	1	1	
FOP-6	9	HZZ5-32580-D01	CABLE ASSY., SWITCH PANEL	1	1	1	1	(20FT)(NHK MEC)
FOP-6	9	HZZ5-32580-D11	CABLE ASSY., SWITCH PANEL	1	1	1	1	(25FT)(NHK MEC)
FOP-6	9	HZZ5-32580-D21	CABLE ASSY., SWITCH PANEL	1	1	1	1	(30FT)(NHK MEC)
FOP-6	9	HZZ5-32580-600	CABLE ASSY., SWITCH PANEL	1		1		(20FT)
FOP-6	9	HZZ5-32580-700	CABLE ASSY., SWITCH PANEL	1		1		(25FT)
FOP-6	9	HZZ5-32580-800	CABLE ASSY., SWITCH PANEL	1		1		(30FT)
FOP-6	10	HZV5-32823-003	PLUG, INNER CONNECTOR	8	8	8	8	
FOP-6	11	HZV5-32824-003	PLUG, OUTER CONNECTOR	3	3	3	3	
FOP-6	12	H952-32901-770	TIE, CABLE(NATURAL)(2.4X92)	6	6	6	6	
FOP-6	13	HZZ3-35100-R11	SWITCH ASSY., COMBINATION	1	1	1	1	
FOP-6	14	HZV5-36180-033	SWITCH ASSY., EMERGENCY STOP	1	1	1	1	
FOP-6	15	HZV4-36182-651	CORD COMP., EMERGENCY	1	1	1	1	
FOP-6	16	HZV4-36187-652	CLIP, EMERGENCY LOCK	1	1	1	1	
FOP-6	17	HZZ3-37205-R01	PANEL ASSY., INDICATOR(4-LED)	1	1	1	1	
FOP-6	18	HZZ5-37210-762	LAMP ASSY., INDICATION(4-LED)	1	1	1	1	
FOP-6	19	H341-38403-672	PLATE, WINKER BUZZER	1	1	1	1	
FOP-6	20	HZV5-38410-003	BUZZER COMP., WARNING	1	1	1	1	

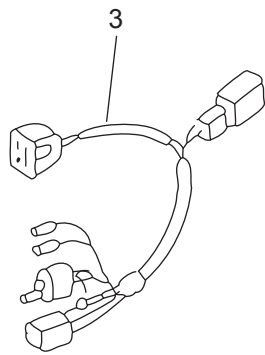
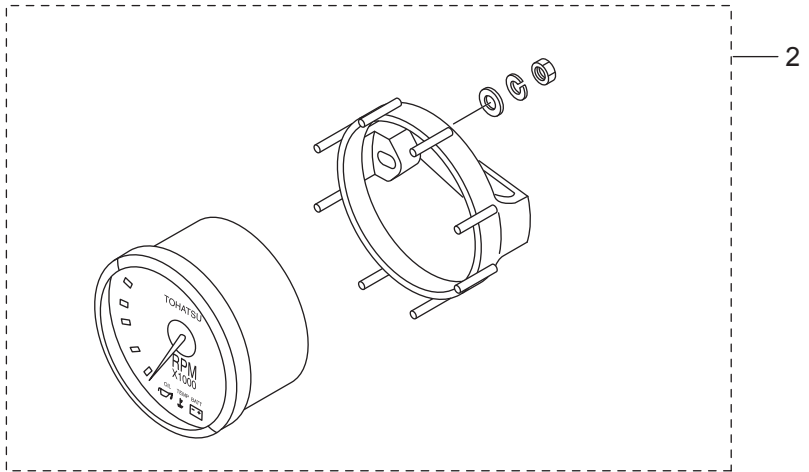
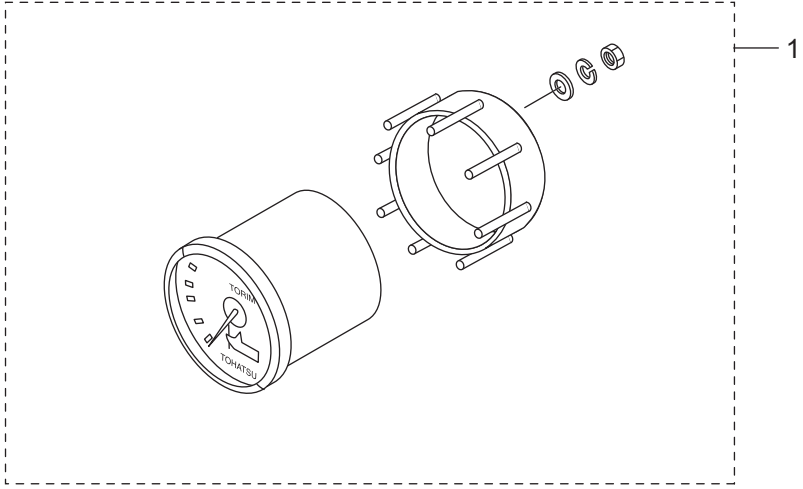




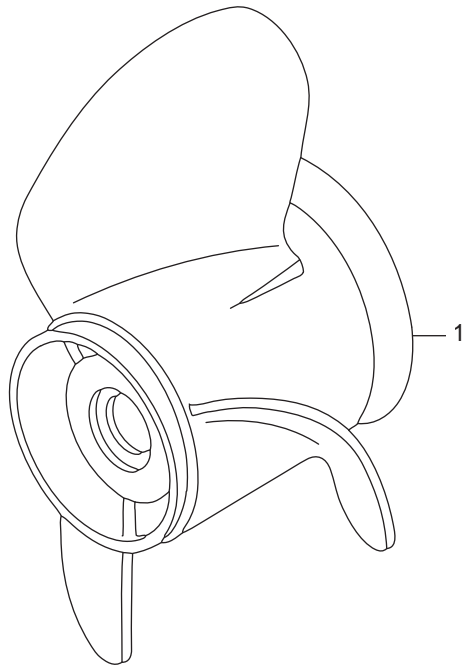




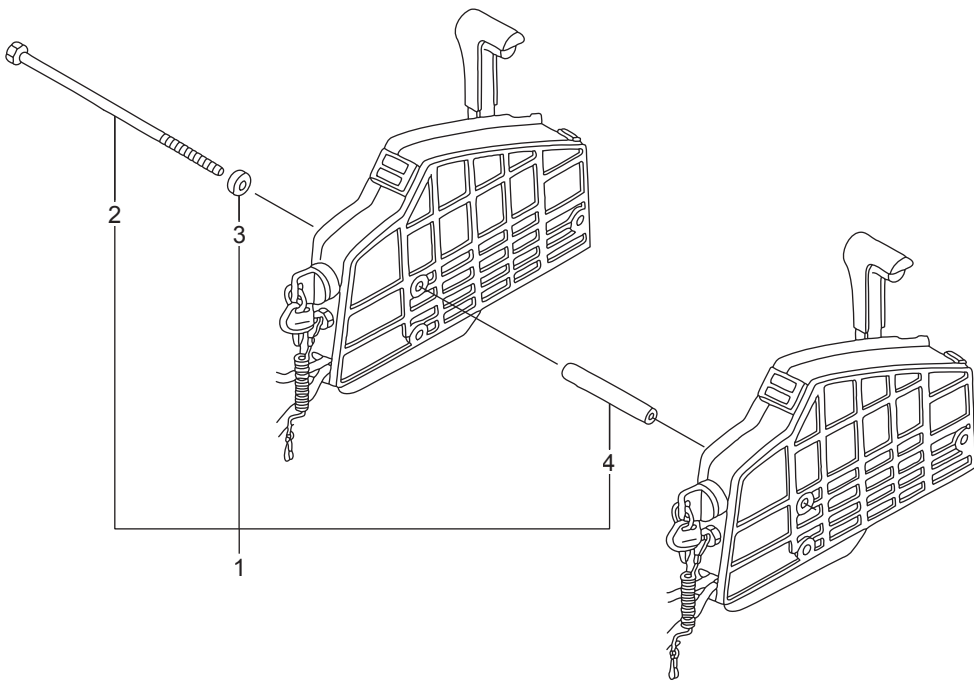










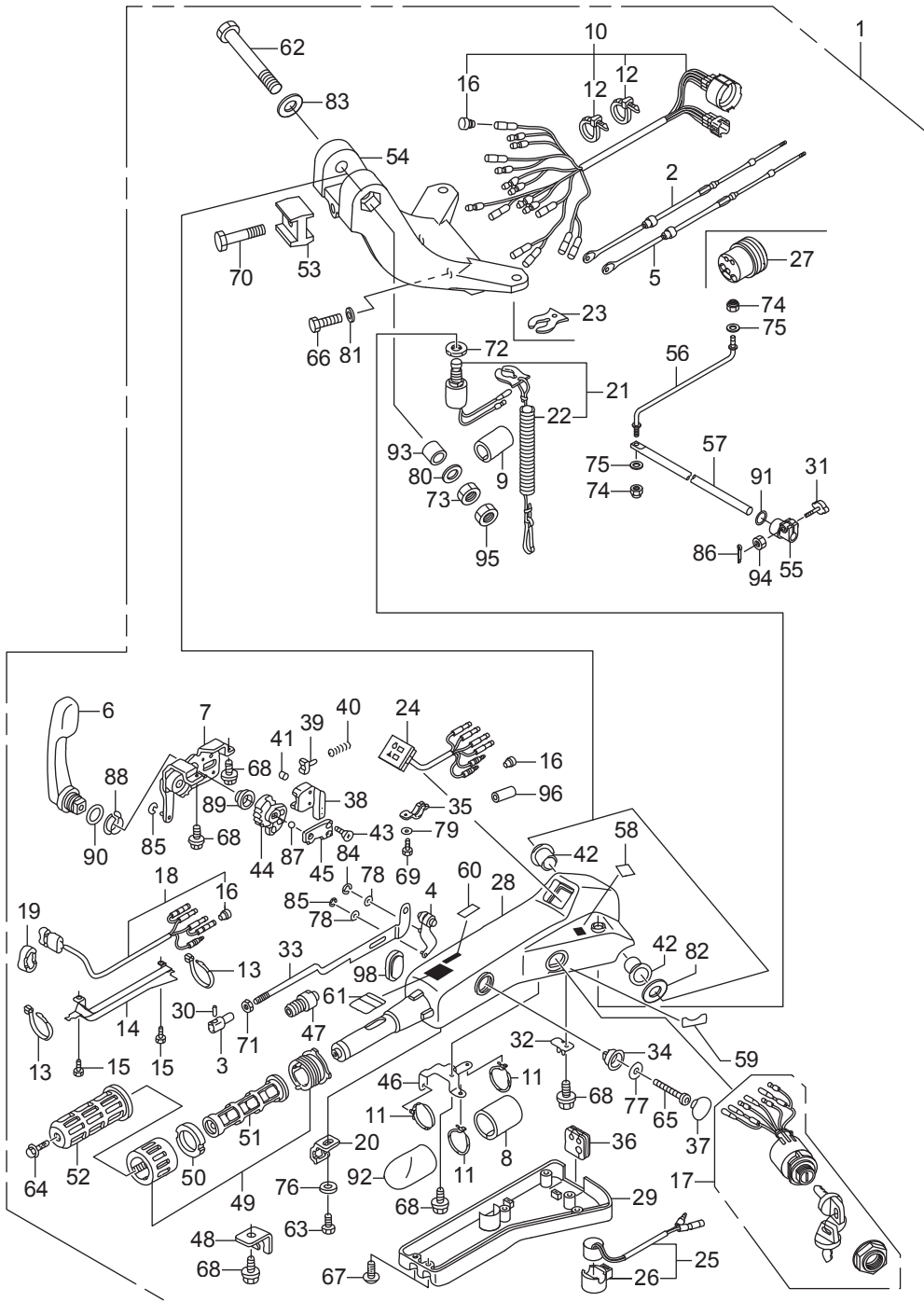




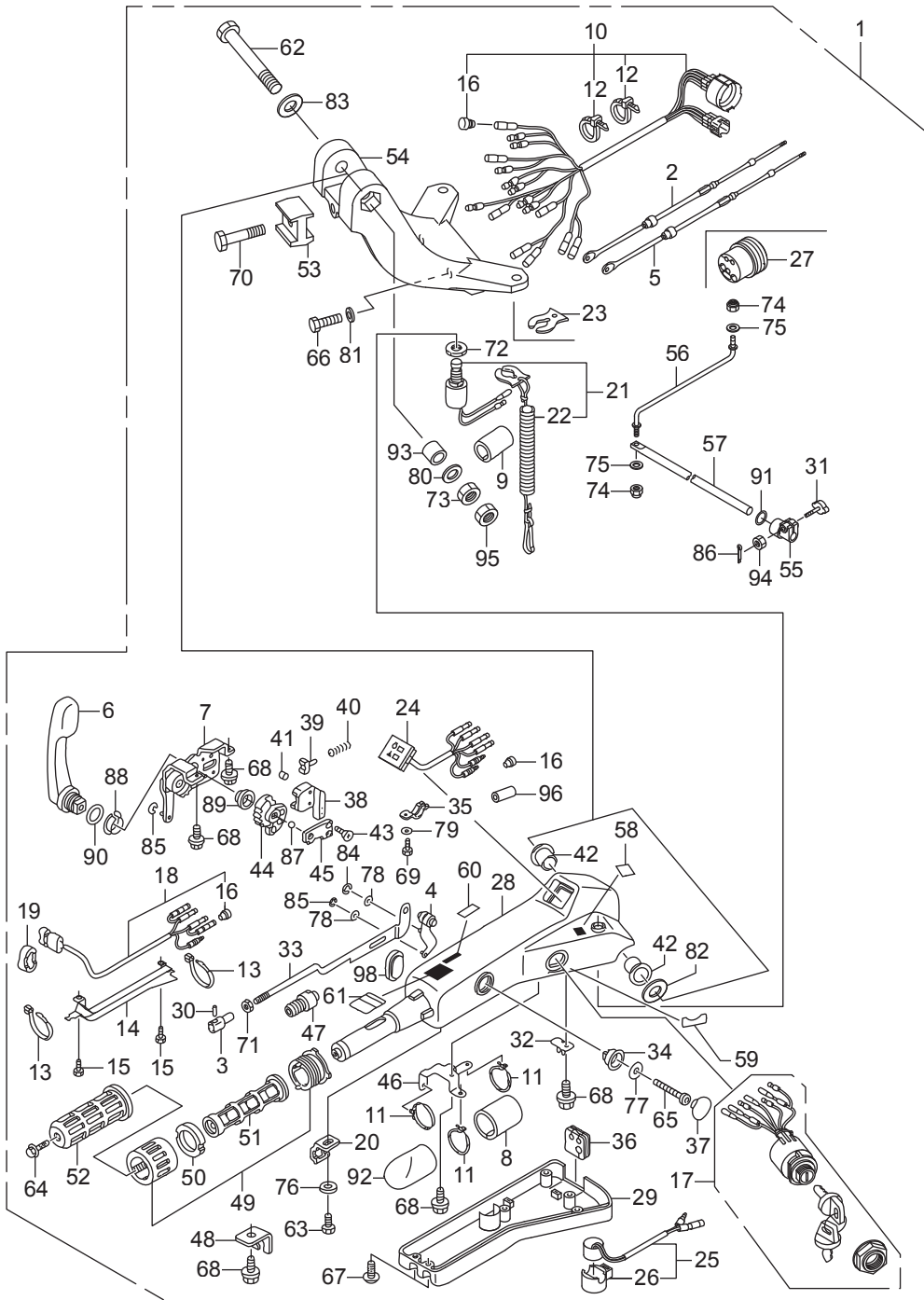




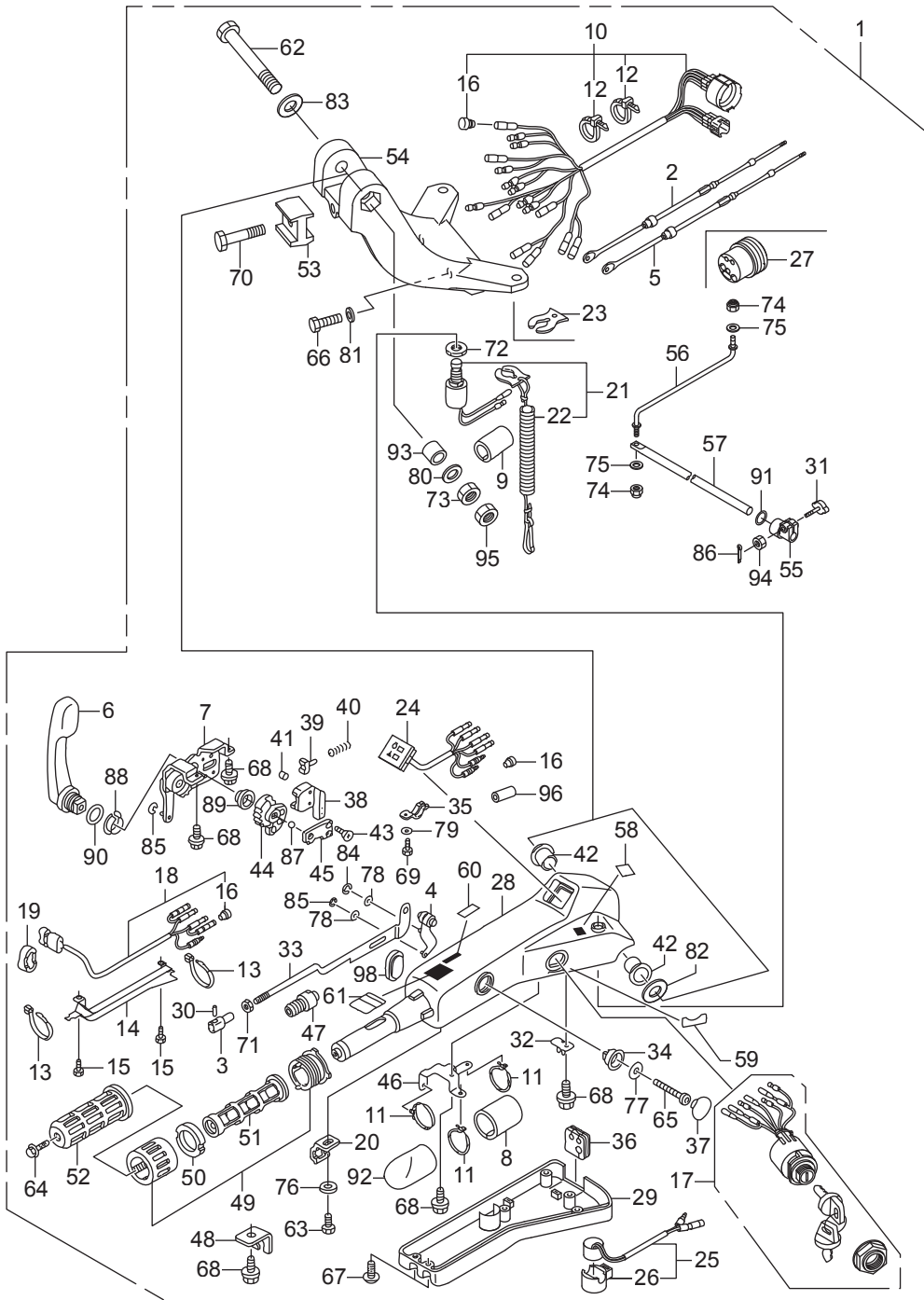
Ref.No.	Part No.	Description	Q'ty				Remarks	
			BFT75A	BFT75AK1	BFT90A	BFT90AK1		
FOP-10	1	HZZ0-06533-R00ZA	HANDLE KIT, STEERING	1	1	1	1	*T107* BAY BLUE
FOP-10	2	HZY9-17910-701	CABLE COMP., THROTTLE	1	1	1	1	
FOP-10	3	HZW9-17917-000	PIVOT, THROTTLE CABLE	1	1	1	1	
FOP-10	4	HZW4-17931-H02	ARM, THROTTLE	1	1	1	1	
FOP-10	5	HZY9-24590-701	CABLE COMP., SHIFT	1	1	1	1	
FOP-10	6	HZW4-24614-H03	LEVER, SHIFT	1	1	1	1	
FOP-10	7	HZW4-24615-H03	FRAME ASSY., SHIFT	1	1	1	1	
FOP-10	8	HZW4-32533-H01	TUBE(38.1X40)	1	1	1	1	
FOP-10	9	HZY9-32534-A01	TUBE	1	1	1	1	
FOP-10	10	HZY9-32538-A01	CABLE ASSY., LONG HANDLE(A)	1	1	1	1	
FOP-10	11	HZW4-32543-H01	BAND(CONVEX CV-150)	3	3	3	3	
FOP-10	12	HZW4-32544-H01	BAND(CONVEX CV-200)	2	2	2	2	
FOP-10	13	HZW4-32547-H01	BAND(CONVEX)	2	2	2	2	
FOP-10	14	HZW4-32548-H01	COVER, WIRE	1	1	1	1	
FOP-10	15	HZW4-32549-H01	SCREW	2	2	2	2	
FOP-10	16	HZV5-32823-003	PLUG, INNER CONNECTOR	14	14	14	14	
FOP-10	17	HZZ3-35100-R01	SWITCH ASSY., COMBINATION	1	1	1	1	
FOP-10	18	HZW4-35640-H11	SWITCH ASSY., POWER TILT	1	1	1	1	
FOP-10	19	HZW4-35643-H02	GROMMET	1	1	1	1	
FOP-10	20	HZW4-35645-H02	HOLDER, SWITCH	1	1	1	1	
FOP-10	21	HZV5-36180-033	SWITCH ASSY., EMERGENCY STOP	1	1	1	1	
FOP-10	22	HZV4-36182-651	CORD COMP., EMERGENCY	1	1	1	1	
FOP-10	23	HZV4-36187-652	CLIP, EMERGENCY LOCK	1	1	1	1	
FOP-10	24	HZY9-37210-A02	LAMP ASSY., INDICATOR	1	1	1	1	
FOP-10	25	HZY9-38400-A00	BUZZER ASSY., WARNING	1	1	1	1	
FOP-10	26	HZY9-38402-A00	SUSPENSION, WARNING BUZZER	1	1	1	1	
FOP-10	27	HZY9-40105-A00	GROMMET, STEERING HANDLE CABLE	1	1	1	1	
FOP-10	28	HZY9-53101-A02ZD	HOUSING	1	1	1	1	*T107* BAY BLUE
FOP-10	29	HZY9-53102-A02	COVER, STEERING HANDLE UNDER	1	1	1	1	



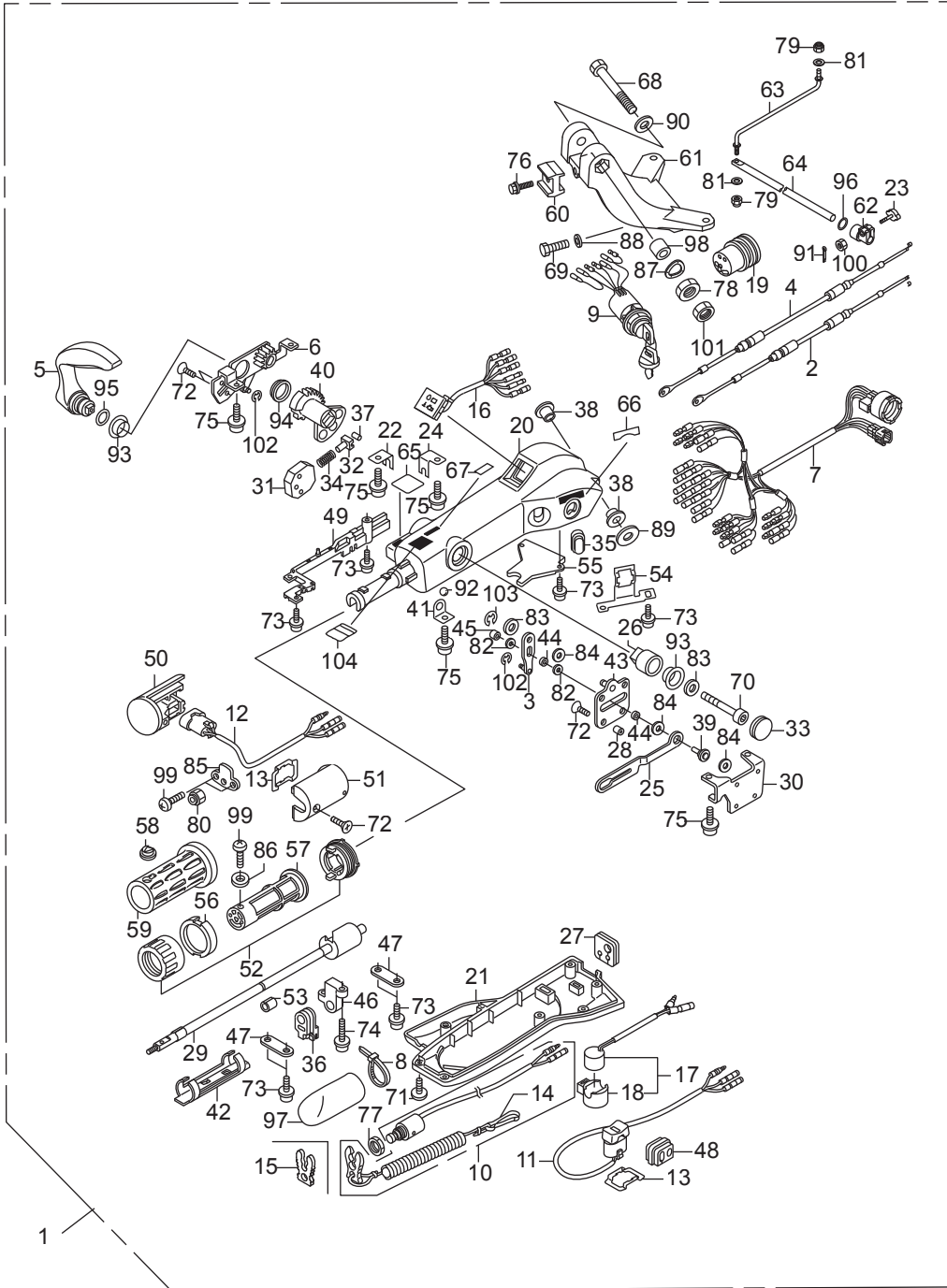
Ref.No.	Part No.	Description	Q'ty				Remarks	
			BFT75A	BFT75AK1	BFT90A	BFT90AK1		
FOP-10	30	HZW9-53103-000	PIN, THROTTLE CABLE	1	1	1	1	
FOP-10	31	HZV3-53104-000	BOLT, FRICTION	1	1	1	1	
FOP-10	32	HZW4-53104-H02	BRACKET, CABLE	1	1	1	1	
FOP-10	33	HZY9-53105-A01	PLATE ASSY., LOCK	1	1	1	1	
FOP-10	34	HZW4-53106-H01	STOPPER	1	1	1	1	
FOP-10	35	HZW4-53107-H02	PLATE, GUIDE	1	1	1	1	
FOP-10	36	HZY9-53108-A00	GROMMET	1	1	1	1	
FOP-10	37	HZW4-53109-H02	CAP	1	1	1	1	
FOP-10	38	HZW4-53112-H02	GUIDE, SPRING	1	1	1	1	
FOP-10	39	HZW4-53113-H01	ACTUATOR	1	1	1	1	
FOP-10	40	HZW4-53114-H01	SPRING, COIL	1	1	1	1	
FOP-10	41	HZW4-53116-H01	ROLLER	1	1	1	1	
FOP-10	42	HZW4-53116-H11	BUSH, STEERING HANDLE	2	2	2	2	
FOP-10	43	HZW4-53117-H01	SCREW(M5X14)	4	4	4	4	
FOP-10	44	HZW4-53118-H03	GEAR, SHIFT	1	1	1	1	
FOP-10	45	HZW4-53119-H02	PLATE, BALL GUIDE	1	1	1	1	
FOP-10	46	HZW4-53121-H02	BRACKET	1	1	1	1	
FOP-10	47	HZW4-53122-H01	ROD, GROMMET	1	1	1	1	
FOP-10	48	HZW4-53123-H01	CLAMP, BRACKET	1	1	1	1	
FOP-10	49	HZW9-53130-000	GRIP ASSY., THROTTLE FRICTION	1	1	1	1	
FOP-10	50	HZW9-53133-000	PAD, THROTTLE FRICTION	1	1	1	1	
FOP-10	51	HZW4-53141-H00	PIPE, GRIP	1	1	1	1	
FOP-10	52	HZW9-53165-000	RUBBER, GRIP	1	1	1	1	
FOP-10	53	HZY9-53232-A00	BLOCK, HEIGHT ADJUSTER	1	1	1	1	
FOP-10	54	HZY9-53233-A00ZD	BRACKET B, STEERING	1	1	1	1	*T107* BAY BLUE
FOP-10	55	HZW1-53236-700	BLOCK, STEERING FRICTION	1	1	1	1	
FOP-10	56	HZW1-53238-700	ROD, STEERING FRICTION	1	1	1	1	
FOP-10	57	HZW1-53239-701	SHAFT, STEERING FRICTION	1	1	1	1	
FOP-10	58	HZW6-87124-U80	MARK, EMERGENCY SWITCH INDICATION(EU)	1	1	1	1	



Ref.No.	Part No.	Description	Q'ty				Remarks
			BFT75A	BFT75AK1	BFT90A	BFT90AK1	
FOP-10	59	HZZ0-87125-R00	MARK, START	1	1	1	1
FOP-10	60	HZW9-87511-000	MARK, CHANGE	1	1	1	1
FOP-10	61	HZW9-87532-640	MARK, THROTTLE(ENGLISH)	1	1	1	1
FOP-10	62	HZW4-90101-H00	BOLT, HEX., 12X80	1	1	1	1
FOP-10	63	HZW4-90102-H01	BOLT(M5X8)	1	1	1	1
FOP-10	64	HZW9-90102-000	BOLT, FLANGE, 6X12	1	1	1	1
FOP-10	65	HZW4-90103-H02	BOLT(M8X50)	1	1	1	1
FOP-10	66	HZY3-90103-000	BOLT, HEX., 10X32	2	2	2	2
FOP-10	67	HZW4-90104-H01	BOLT(M5X12)	6	6	6	6
FOP-10	68	HZW4-90105-H02	BOLT(M6X12)	5	5	5	5
FOP-10	69	HZW4-90106-H01	BOLT(M5X12)	3	3	3	3
FOP-10	70	HHW1-90118-671	BOLT, FLANGE, 8X28	1	1	1	1
FOP-10	71	HZW4-90301-H01	NUT, HEX., 5MM	1	1	1	1
FOP-10	72	H921-90302-000	NUT, HEX., 16MM	1	1	1	1
FOP-10	73	HZW4-90303-H00	NUT, HEX., 12MM	1	1	1	1
FOP-10	74	HZV4-90305-000	NUT, SELF-LOCK, 8MM	2	2	2	2
FOP-10	75	HZW1-90401-000	WASHER, PLAIN, 8MM	2	2	2	2
FOP-10	76	HZW4-90501-H01	WASHER, 5MM	1	1	1	1
FOP-10	77	HZW4-90502-H02	WASHER, 8MM	1	1	1	1
FOP-10	78	HZW4-90503-H01	WASHER, 10MM	2	2	2	2
FOP-10	79	HZW4-90504-H01	WASHER, 5MM	3	3	3	3
FOP-10	80	HZV1-90506-000	WASHER, WAVE, 14MM	1	1	1	1
FOP-10	81	HZV4-90514-000	WASHER, 10MM	2	2	2	2
FOP-10	82	HZV5-90552-000	WASHER, PLAIN, 12MM	1	1	1	1
FOP-10	83	HZV5-90559-000	WASHER, PLAIN, 12MM	1	1	1	1
FOP-10	84	HZW4-90651-H01	E-RING	1	1	1	1
FOP-10	85	HZW4-90652-H01	E-RING	2	2	2	2
FOP-10	86	HZV1-90759-000	PIN, SPLIT, 2.0	1	1	1	1
FOP-10	87	HZY9-90951-A01	BALL, STEEL	1	1	1	1

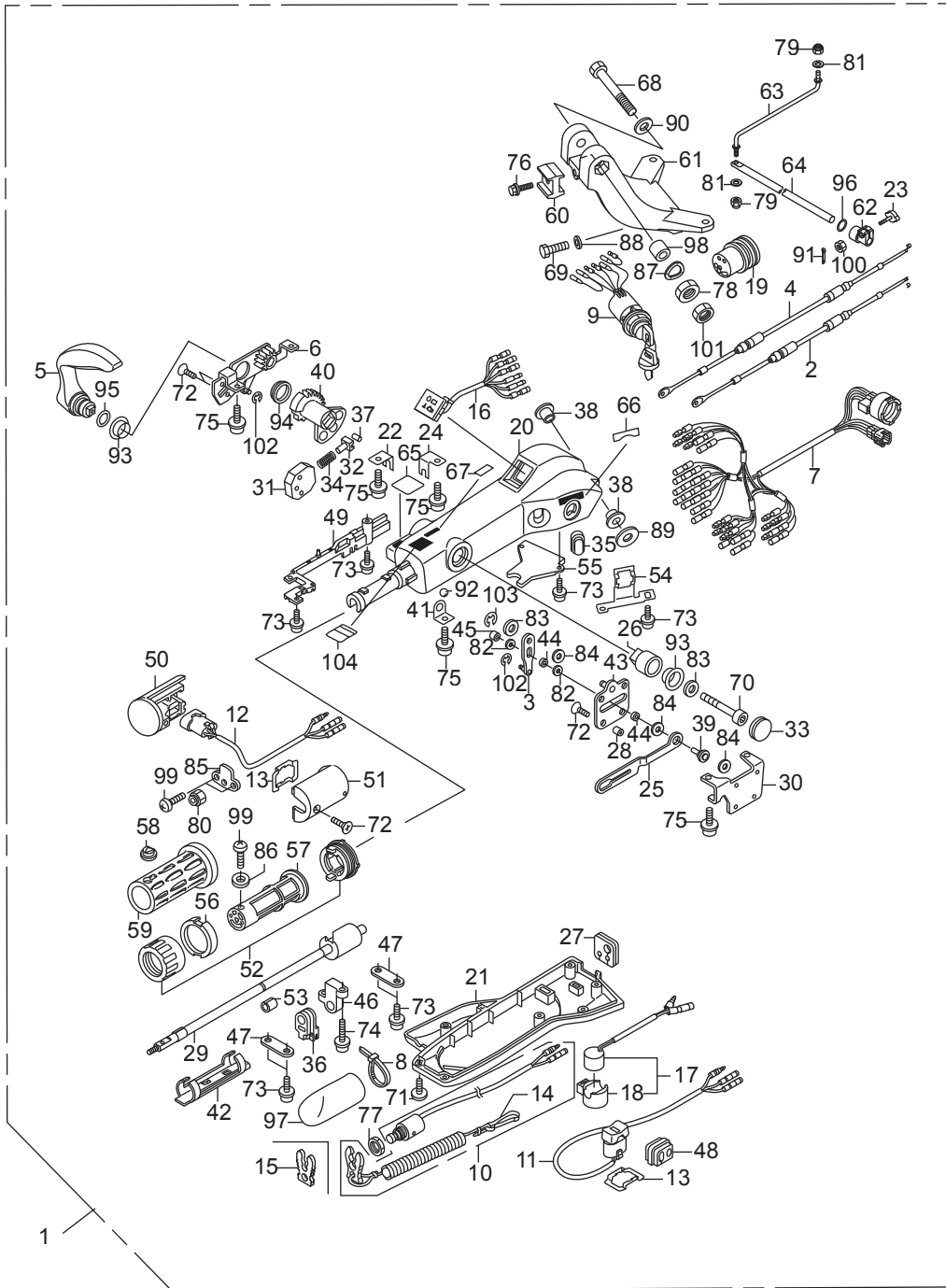




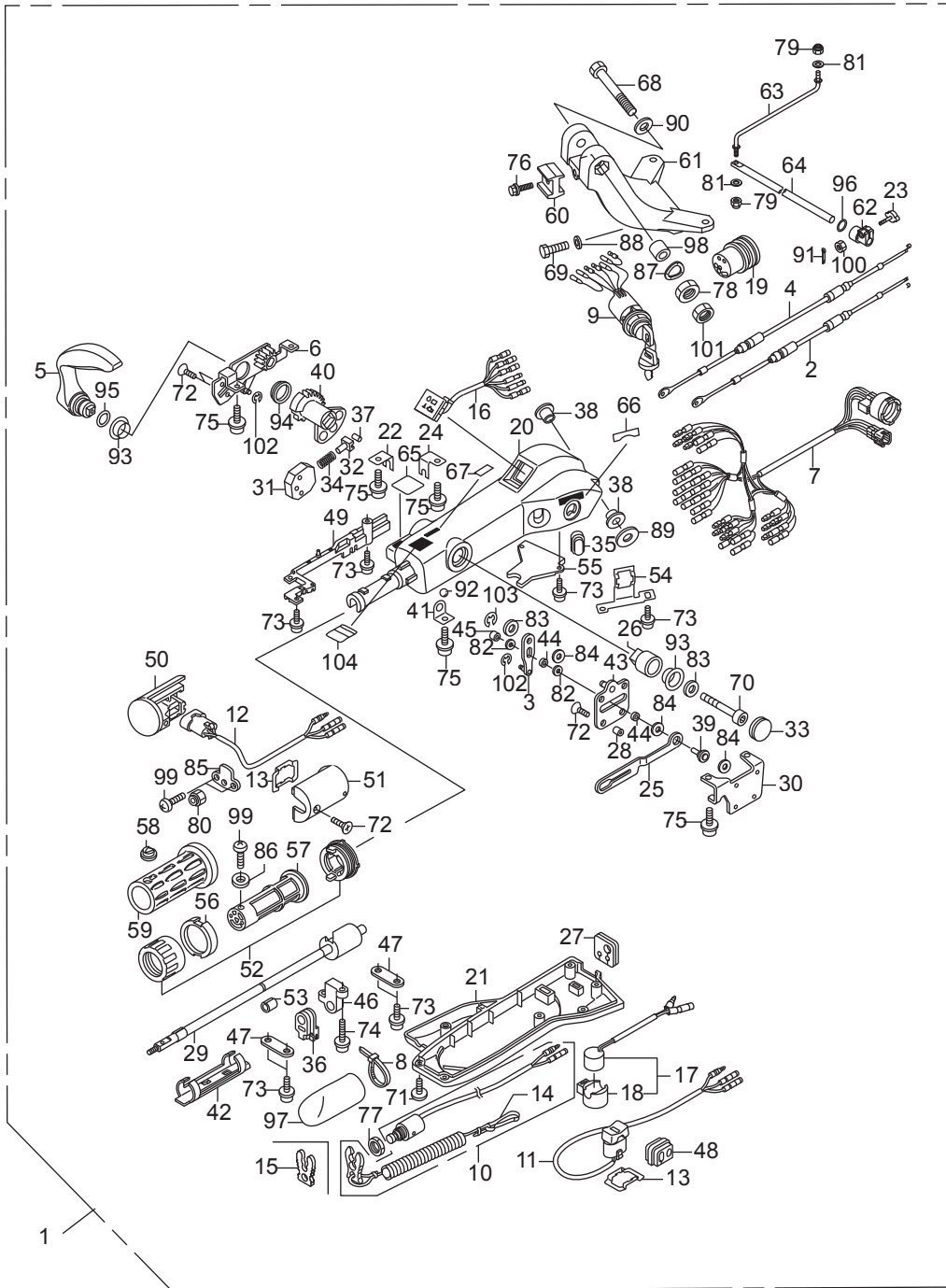




Ref.No.	Part No.	Description	Q'ty				Remarks	
			BFT75A	BFT75AK1	BFT90A	BFT90AK1		
FOP-10-1	1	HZZ0-06533-T00ZA	HANDLE KIT, STEERING(E)	1	1	1	1	*T107* BAY BLUE
FOP-10-1	2	HZY9-17910-H01	CABLE, THROTTLE	1	1	1	1	
FOP-10-1	3	HZZ3-17931-A41	ARM ASSY., THROTTLE	1	1	1	1	
FOP-10-1	4	HZY9-24590-H01	CABLE, SHIFT	1	1	1	1	
FOP-10-1	5	HZZ3-24614-A41	LEVER, SHIFT	1	1	1	1	
FOP-10-1	6	HZZ3-24615-A41	FRAME ASSY., SHIFT	1	1	1	1	
FOP-10-1	7	HZY9-32538-H01	CABLE ASSY., LONG HANDLE(A)	1	1	1	1	
FOP-10-1	8	HZW4-32543-H01	BAND(CONVEX CV-150)	1	1	1	1	
FOP-10-1	9	HZZ3-35100-R01	SWITCH ASSY., COMBINATION	1	1	1	1	
FOP-10-1	10	HZZ3-35180-A42	SWITCH ASSY., EMERGENCY STOP	1	1	1	1	
FOP-10-1	11	HZZ3-35340-A42	SWITCH ASSY., TROLLING CONTROL	1	1	1	1	
FOP-10-1	12	HZZ3-35640-A41	SWITCH ASSY., POWER TILT	1	1	1	1	
FOP-10-1	13	HZZ3-35645-A41	PLATE, SWITCH	2	2	2	2	
FOP-10-1	14	HZV4-36182-651	CORD COMP., EMERGENCY	1	1	1	1	
FOP-10-1	15	HZV4-36187-652	CLIP, EMERGENCY LOCK	1	1	1	1	
FOP-10-1	16	HZY9-37210-A02	LAMP ASSY., INDICATOR	1	1	1	1	
FOP-10-1	17	HZY9-38400-A00	BUZZER ASSY., WARNING	1	1	1	1	
FOP-10-1	18	HZY9-38402-A00	SUSPENSION, WARNING BUZZER	1	1	1	1	
FOP-10-1	19	HZY9-40105-H00	GROMMET, STEERING HANDLE CABLE	1	1	1	1	
FOP-10-1	20	HZZ3-53101-A41ZD	HOUSING	1	1	1	1	*T107* BAY BLUE
FOP-10-1	21	HZZ3-53102-A41	COVER, UNDER	1	1	1	1	
FOP-10-1	22	HZZ3-53103-A41	CLAMP, SHIFT CABLE	1	1	1	1	
FOP-10-1	23	HZV3-53104-000	BOLT, FRICTION	1	1	1	1	
FOP-10-1	24	HZZ3-53104-A41	CLAMP, THROTTLE CABLE	1	1	1	1	
FOP-10-1	25	HZZ3-53105-A41	PLATE, LOCK	1	1	1	1	
FOP-10-1	26	HZZ3-53106-A41	STOPPER, SHIFT	1	1	1	1	
FOP-10-1	27	HZZ3-53108-A41	GROMMET	1	1	1	1	
FOP-10-1	28	HZZ3-53109-A41	SPACER	4	4	4	4	
FOP-10-1	29	HZZ3-53110-A41	SHAFT ASSY., THROTTLE	1	1	1	1	



Ref.No.	Part No.	Description	Q'ty				Remarks
			BFT75A	BFT75AK1	BFT90A	BFT90AK1	
FOP-10-1	30	HZZ3-53111-A41	FRAME, THROTTLE	1	1	1	1
FOP-10-1	31	HZZ3-53112-A41	GUIDE, SPRING	1	1	1	1
FOP-10-1	32	HZW4-53113-H01	ACTUATOR	1	1	1	1
FOP-10-1	33	HZZ3-53113-A41	CAP	1	1	1	1
FOP-10-1	34	HZZ3-53114-A41	SPRING	1	1	1	1
FOP-10-1	35	HZW4-53115-H02	GROMMET, POWER TILT SWITCH	1	1	1	1
FOP-10-1	36	HZZ3-53115-A41	GROMMET, POWER TILT SWITCH	1	1	1	1
FOP-10-1	37	HZW4-53116-H01	ROLLER	1	1	1	1
FOP-10-1	38	HZW4-53116-H11	BUSH, STEERING HANDLE	2	2	2	2
FOP-10-1	39	HZZ3-53117-A41	PIN, SLIDE	1	1	1	1
FOP-10-1	40	HZZ3-53118-A41	GEAR, SHIFT	1	1	1	1
FOP-10-1	41	HZZ3-53119-A41	PLATE, BALL GUIDE	1	1	1	1
FOP-10-1	42	HZZ3-53120-A41	GUIDE, THROTTLE HARNESS	1	1	1	1
FOP-10-1	43	HZZ3-53121-A41	FRAME ASSY., THROTTLE SUB	1	1	1	1
FOP-10-1	44	HZZ3-53122-A41	ROLLER, PLATE	2	2	2	2
FOP-10-1	45	HZZ3-53123-A41	ROLLER, CAM	1	1	1	1
FOP-10-1	46	HZZ3-53124-A41	STAY	1	1	1	1
FOP-10-1	47	HZZ3-53125-A41	PLATE, SHIFT CLAMP	2	2	2	2
FOP-10-1	48	HZZ3-53126-A41	GROMMET, SIDE	1	1	1	1
FOP-10-1	49	HZZ3-53127-A41	GUIDE, HARNESS	1	1	1	1
FOP-10-1	50	HZZ3-53128-A41	BOX ASSY., POWER TILT SWITCH-1	1	1	1	1
FOP-10-1	51	HZZ3-53129-A41	BOX ASSY., POWER TILT SWITCH-2	1	1	1	1
FOP-10-1	52	HZW9-53130-000	GRIP ASSY., THROTTLE FRICTION	1	1	1	1
FOP-10-1	53	HZZ3-53130-A41	BUSH, THROTTLE SHAFT	1	1	1	1
FOP-10-1	54	HZZ3-53131-A41	HOLDER, SWITCH	1	1	1	1
FOP-10-1	55	HZZ3-53132-A41	PLATE, HARNESS	1	1	1	1
FOP-10-1	56	HZW9-53133-000	PAD, THROTTLE FRICTION	1	1	1	1
FOP-10-1	57	HZZ3-53141-A41	PIPE, THROTTLE GRIP	1	1	1	1
FOP-10-1	58	HZZ3-53142-A41	CAP, GRIP	1	1	1	1

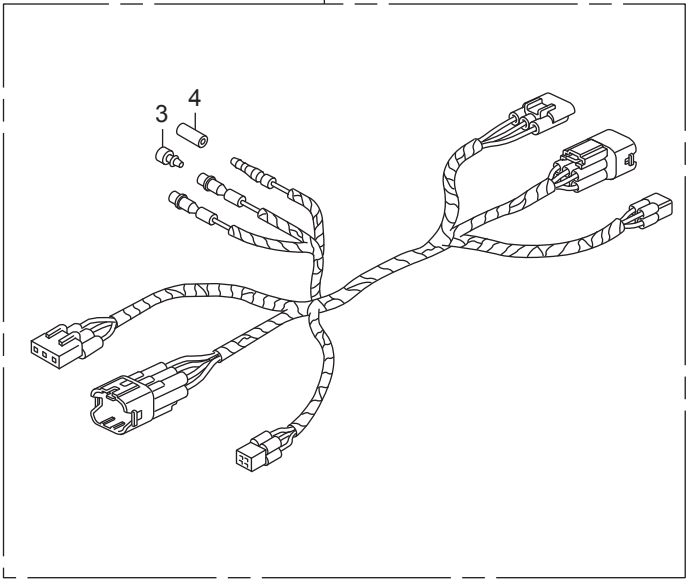


Ref.No.	Part No.	Description	Q'ty				Remarks	
			BFT75A	BFT75AK1	BFT90A	BFT90AK1		
FOP-10-1	59	HZZ3-53165-000	RUBBER, GRIP	1	1	1	1	
FOP-10-1	60	HZY9-53232-A00	BLOCK, HEIGHT ADJUSTER	1	1	1	1	
FOP-10-1	61	HZY9-53233-A00ZD	BRACKET B, STEERING	1	1	1	1	*T107* BAY BLUE
FOP-10-1	62	HZW1-53236-700	BLOCK, STEERING FRICTION	1	1	1	1	
FOP-10-1	63	HZW1-53238-700	ROD, STEERING FRICTION	1	1	1	1	
FOP-10-1	64	HZW1-53239-701	SHAFT, STEERING FRICTION	1	1	1	1	
FOP-10-1	65	HZW6-87124-U80	MARK, EMERGENCY SWITCH INDICATION(EU)	1	1	1	1	
FOP-10-1	66	HZZ3-87125-R00	MARK, STARTER(ENGLISH)	1	1	1	1	
FOP-10-1	67	HZW9-87511-000	MARK, CHANGE	1	1	1	1	
FOP-10-1	68	HZW4-90101-H00	BOLT, HEX., 12X80	1	1	1	1	
FOP-10-1	69	HZY3-90103-000	BOLT, HEX., 10X32	2	2	2	2	
FOP-10-1	70	HZZ3-90103-A41	BOLT, SOCKET, 8X70	1	1	1	1	
FOP-10-1	71	HZW4-90104-H01	BOLT(M5X12)	8	8	8	8	
FOP-10-1	72	HZZ3-90111-A41	SCREW, FLAT, 5X14	7	7	7	7	
FOP-10-1	73	HZZ3-90112-A41	BOLT, 5X12	11	11	11	11	
FOP-10-1	74	HZZ3-90113-A41	BOLT, 5X20	2	2	2	2	
FOP-10-1	75	HZZ3-90114-A41	BOLT, 6X15	7	7	7	7	
FOP-10-1	76	HHW1-90118-671	BOLT, FLANGE, 8X28	1	1	1	1	
FOP-10-1	77	H921-90302-000	NUT, HEX., 16MM	1	1	1	1	
FOP-10-1	78	HZW4-90303-H00	NUT, HEX., 12MM	1	1	1	1	
FOP-10-1	79	HZV4-90305-000	NUT, SELF-LOCK, 8MM	2	2	2	2	
FOP-10-1	80	HZZ3-90305-A41	NUT, NYLON, 5MM	1	1	1	1	
FOP-10-1	81	HZW1-90401-000	WASHER, PLAIN, 8MM	2	2	2	2	
FOP-10-1	82	HZZ3-90501-A41	WASHER	2	2	2	2	
FOP-10-1	83	HZW4-90502-H02	WASHER, 8MM	2	2	2	2	
FOP-10-1	84	HZZ3-90502-A41	WASHER	3	3	3	3	
FOP-10-1	85	HZZ3-90503-A41	WASHER, PLATE	1	1	1	1	
FOP-10-1	86	HZW4-90504-H01	WASHER, 5MM	1	1	1	1	
FOP-10-1	87	HZV1-90506-000	WASHER, WAVE, 14MM	1	1	1	1	

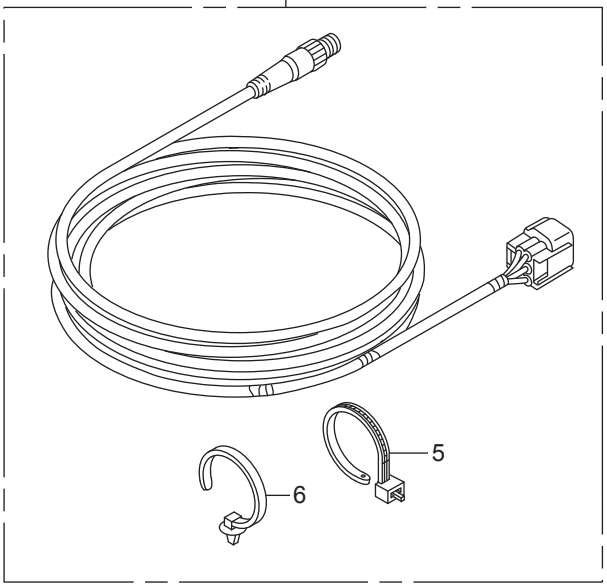




2

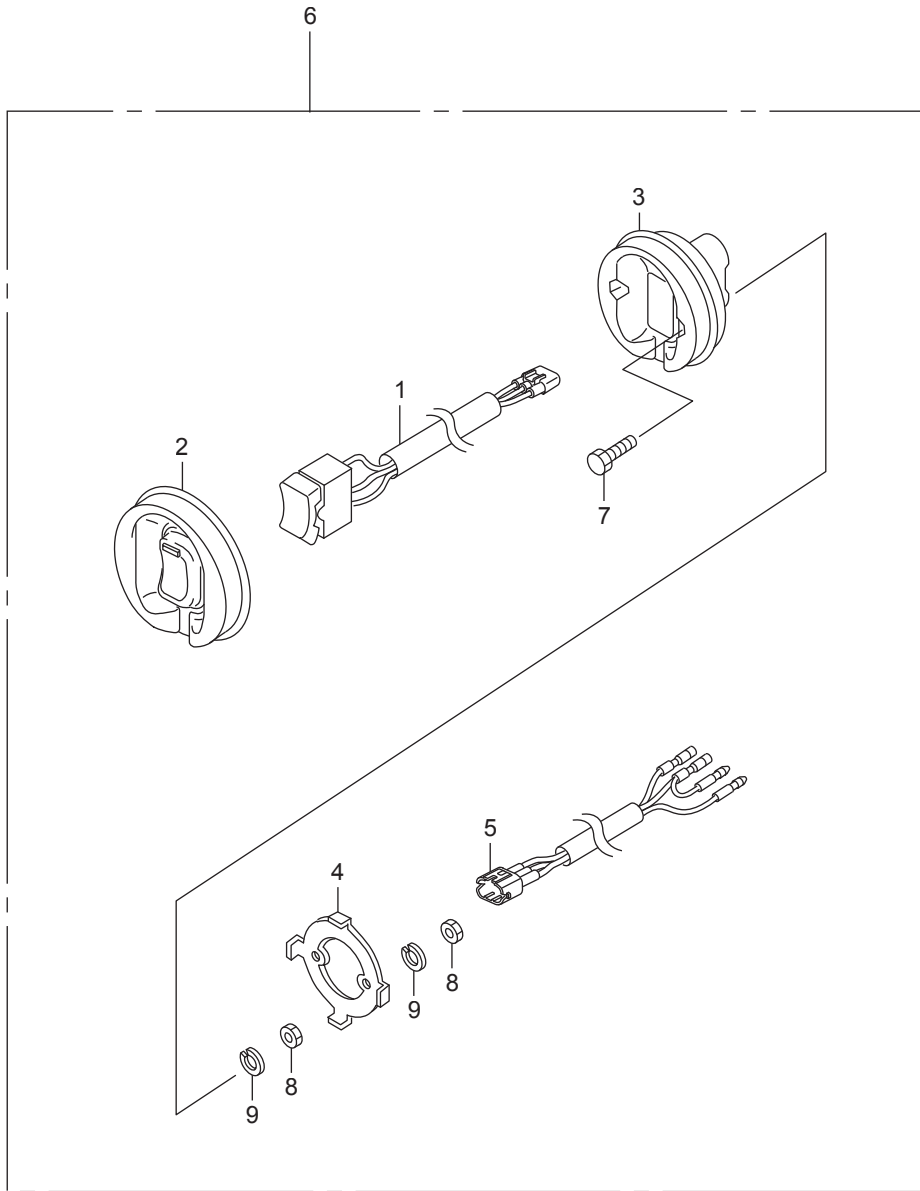


1











# INDEX

<A>			
ACTUATOR	FOP-10-39	BLOCK, STEERING FRICTION	FOP-10-55
ACTUATOR	FOP-10-132	BLOCK, STEERING FRICTION	FOP-10-162
ADJUSTER	F-15-2-17	BLOCK, THROTTLE FRICTION	F-15-29
ARM ASSY, BRAKE	F-15-2-7	BODY	E-18-20-4
ARM ASSY, ROCKER	E-9-6	BODY, TROLLING CONTROL SWITCH PANEL	FOP-12-3
ARM ASSY, SHIFT LINK	F-15-1-18	BOLT	F-15-1-37
ARM ASSY, THROTTLE	FOP-10-1-3	BOLT A, THROUGH	E-21-18
ARM ASSY, THROTTLE LINK	F-15-1-21	BOLT KIT, SIDE REMOTE CONTROL	FOP-9-1
ARM COMP, EX. ROCKER(A)	E-9-8	BOLT(M5X12)	FOP-10-67
ARM COMP, EX. ROCKER(B)	E-9-9	BOLT(M5X12)	FOP-10-69
ARM COMP, IN. VALVE ROCKER	E-9-7	BOLT(M5X12)	FOP-10-1-71
ARM COMP, LINK JOINT	F-15-1-9	BOLT(M5X8)	FOP-10-63
ARM COMP, SHIFT LINK	F-15-1-5	BOLT(M6X12)	FOP-10-68
ARM, NEUTRAL LOCK	F-15-2-4	BOLT(M8X50)	FOP-10-65
ARM, NEUTRAL LOCK	FOP-4-4-5	BOLT, 1/4-28UNF	F-10-28
ARM, SHIFT	F-2-11	BOLT, 12MM	E-7-13
ARM, THROTTLE	F-2-7	BOLT, 3/8-24UNF	F-10-30
ARM, THROTTLE	FOP-10-4	BOLT, 5X12	FOP-10-1-73
ARMATURE COMP	F-11-6	BOLT, 5X20	FOP-10-1-74
<B>		BOLT, 5X25	F-15-2-56
BAG, TOOL, 200MM	F-13-14	BOLT, 6X15	FOP-10-1-75
BALL, STEEL	E-21-6	BOLT, 8X50	F-15-2-55
BALL, STEEL	F-15-1-46	BOLT, CONNECTING ROD	E-7-4
BALL, STEEL	FOP-10-87	BOLT, DRAIN PLUG	E-6-12
BALL, STEEL	FOP-10-1-92	BOLT, DRAIN PLUG	F-3-10-16
BALL, STEEL, #11(11/32)	F-5-28	BOLT, FLANGE, 10X25	F-10-36
BALL, STEEL, #7(7/32)	F-5-27	BOLT, FLANGE, 10X35	E-21-22
BAND	E-18-20-45	BOLT, FLANGE, 10X35	E-21-22
BAND(BLACK 3.5X140)	F-3-4	BOLT, FLANGE, 10X40	F-3-26
BAND(BLACK 3.5X140)	F-15-41	BOLT, FLANGE, 10X75	E-21-19
BAND(CONVEX CV-150)	FOP-10-11	BOLT, FLANGE, 10X75	E-21-19
BAND(CONVEX CV-150)	FOP-10-1-8	BOLT, FLANGE, 6X10	E-14-14
BAND(CONVEX CV-200)	FOP-10-12	BOLT, FLANGE, 6X10	E-14-14
BAND(CONVEX)	FOP-10-13	BOLT, FLANGE, 6X10	F-7-6
BAND, AIR FLOW	E-15-6	BOLT, FLANGE, 6X10	F-7-6
BAND, AIR FLOW	E-15-6	BOLT, FLANGE, 6X11	F-2-26
BAND, CABLE(B)	F-15-1-11	BOLT, FLANGE, 6X11	F-2-26
BAND, CORD	F-7-10-2	BOLT, FLANGE, 6X12	E-6-9
BAND, CORD	F-7-10-2	BOLT, FLANGE, 6X12	F-2-27
BAND, SELF LOCK	F-15-65	BOLT, FLANGE, 6X12	F-3-28
BAND, SELF LOCK	F-15-2-77	BOLT, FLANGE, 6X12	F-3-30-16
BAND, UNDER CASE GROMMET	F-3-9	BOLT, FLANGE, 6X12	F-3-30-16
BAND, WIRE	F-3-3	BOLT, FLANGE, 6X12	F-4-20
BAND, WIRE	F-15-2-37	BOLT, FLANGE, 6X12	F-7-5
BAND, WIRE HARNESS	F-7-7	BOLT, FLANGE, 6X12	F-7-5
BAND, WIRE HARNESS(NATURAL)	FOP-6-24	BOLT, FLANGE, 6X12	F-7-10-22
BAND, WIRE HARNESS(NATURAL)	FOP-6-1-17	BOLT, FLANGE, 6X12	F-7-10-22
BAND, WIRE, 165MM	F-7-10-2	BOLT, FLANGE, 6X12	FOP-10-64
BAND, WIRE, 165MM(BLACK)	F-7-10-2	BOLT, FLANGE, 6X14	E-3-34
BAND, WIRE, 165MM(BLACK)	F-7-10-2	BOLT, FLANGE, 6X14	E-9-30
BASE	FOP-4-4-15	BOLT, FLANGE, 6X14	E-18-20-49
BEARING	FOP-10-88	BOLT, FLANGE, 6X14	E-18-20-49
BEARING	FOP-10-89	BOLT, FLANGE, 6X14	F-7-10-25
BEARING	FOP-10-1-93	BOLT, FLANGE, 6X14	F-7-10-25
BEARING	FOP-10-1-94	BOLT, FLANGE, 6X14(CT200)	E-9-10-7
BEARING A, CONNECTING ROD(BLUE)	E-7-6	BOLT, FLANGE, 6X14(CT200)	E-9-10-7
BEARING B, CONNECTING ROD(BLACK)	E-7-6	BOLT, FLANGE, 6X14(CT200)	E-18-20
BEARING B, MAIN LOWER(BLACK)	E-7-10	BOLT, FLANGE, 6X14(CT200)	E-18-20
BEARING B, MAIN UPPER(BLACK)	E-7-8	BOLT, FLANGE, 6X14(CT200)	E-18-10-17
BEARING C, CONNECTING ROD(BROWN)	E-7-6	BOLT, FLANGE, 6X14(CT200)	E-18-10-17
BEARING C, MAIN LOWER(BROWN)	E-7-10	BOLT, FLANGE, 6X14(CT200)	F-2-23
BEARING C, MAIN UPPER(BROWN)	E-7-8	BOLT, FLANGE, 6X14(CT200)	F-2-23
BEARING D, CONNECTING ROD(GREEN)	E-7-6	BOLT, FLANGE, 6X14(CT200)	F-7-4
BEARING D, MAIN LOWER(GREEN)	E-7-10	BOLT, FLANGE, 6X14(CT200)	F-7-4
BEARING D, MAIN UPPER(GREEN)	E-7-8	BOLT, FLANGE, 6X14(CT200)	F-7-18
BEARING E, CONNECTING ROD(YELLOW)	E-7-6	BOLT, FLANGE, 6X14(CT200)	F-7-18
BEARING E, MAIN LOWER(YELLOW)	E-7-10	BOLT, FLANGE, 6X16	E-2-29
BEARING E, MAIN UPPER(YELLOW)	E-7-8	BOLT, FLANGE, 6X16	E-2-29
BEARING F, CONNECTING ROD(PINK)	E-7-6	BOLT, FLANGE, 6X16	E-6-18
BEARING F, MAIN LOWER(PINK)	E-7-10	BOLT, FLANGE, 6X16	E-9-10-8
BEARING F, MAIN UPPER(PINK)	E-7-8	BOLT, FLANGE, 6X16	E-9-10-8
BEARING G, CONNECTING ROD(RED)	E-7-6	BOLT, FLANGE, 6X16	F-2-25
BEARING G, MAIN LOWER(RED)	E-7-10	BOLT, FLANGE, 6X16	F-10-38
BEARING G, MAIN UPPER(RED)	E-7-8	BOLT, FLANGE, 6X18(CT200)	E-5-10
BEARING H, MAIN LOWER(WHITE)	E-7-10	BOLT, FLANGE, 6X18(CT200)	E-5-10
BEARING H, MAIN UPPER(WHITE)	E-7-8	BOLT, FLANGE, 6X18(CT200)	F-2-24
BEARING(I)	F-15-2-60	BOLT, FLANGE, 6X18(CT200)	F-2-24
BEARING(2)	F-15-2-71	BOLT, FLANGE, 6X20	E-2-30
BEARING(3)	F-15-2-72	BOLT, FLANGE, 6X20	E-2-30
BEARING, BALL(28X38X3)	F-5-21	BOLT, FLANGE, 6X20	F-3-30-17
BEARING, NEEDLE	F-4-29	BOLT, FLANGE, 6X20	F-7-10-24
BEARING, NEEDLE, 30X37X26	F-5-19	BOLT, FLANGE, 6X20	F-7-10-24
BEARING, RADIAL BALL, 6208	F-5-26	BOLT, FLANGE, 6X20	F-8-31
BEARING, TAPER ROLLER	F-4-30	BOLT, FLANGE, 6X20	F-10-31
BEARING, TAPERED ROLLER	F-5-20	BOLT, FLANGE, 6X22	E-1-4
BLOCK ASSY, CYLINDER	E-3-4	BOLT, FLANGE, 6X22	E-1-4
BLOCK ASSY, CYLINDER	E-3-4	BOLT, FLANGE, 6X22	E-2-32
BLOCK, HEIGHT ADJUSTER	FOP-10-53	BOLT, FLANGE, 6X22	E-2-32
BLOCK, HEIGHT ADJUSTER	FOP-10-1-60	BOLT, FLANGE, 6X22	E-2-44
BLOCK, NEUTRAL LOCK	F-15-7	BOLT, FLANGE, 6X22	E-3-22
		BOLT, FLANGE, 6X22	E-3-41
		BOLT, FLANGE, 6X22	E-9-10-10
		BOLT, FLANGE, 6X22	E-9-10-10
		BOLT, FLANGE, 6X22	E-18-19
		BOLT, FLANGE, 6X22	E-18-19
		BOLT, FLANGE, 6X22	F-3-30-14
		BOLT, FLANGE, 6X22	F-3-30-14
		BOLT, FLANGE, 6X23	F-10-27
		BOLT, FLANGE, 6X25	E-3-20
		BOLT, FLANGE, 6X25	E-3-20
		BOLT, FLANGE, 6X25	E-15-19
		BOLT, FLANGE, 6X25	E-15-19
		BOLT, FLANGE, 6X25	E-18-21
		BOLT, FLANGE, 6X25	E-18-21
		BOLT, FLANGE, 6X25	E-18-20-48
		BOLT, FLANGE, 6X25	E-18-20-48
		BOLT, FLANGE, 6X25	E-20-2
		BOLT, FLANGE, 6X25	E-20-2
		BOLT, FLANGE, 6X25(SUS-D)	F-10-37
		BOLT, FLANGE, 6X28	E-9-31
		BOLT, FLANGE, 6X28	E-9-10-12
		BOLT, FLANGE, 6X28	E-9-10-12
		BOLT, FLANGE, 6X32	E-3-23
		BOLT, FLANGE, 6X32	E-3-23
		BOLT, FLANGE, 6X32	E-3-23
		BOLT, FLANGE, 6X32(CT200)	E-19-5
		BOLT, FLANGE, 6X32(CT200)	E-19-5
		BOLT, FLANGE, 6X35	E-2-31
		BOLT, FLANGE, 6X35	E-2-31
		BOLT, FLANGE, 6X35	F-3-10-22
		BOLT, FLANGE, 6X40	E-9-10-11
		BOLT, FLANGE, 6X40	E-9-10-11
		BOLT, FLANGE, 6X45	E-3-40
		BOLT, FLANGE, 6X55	E-2-34
		BOLT, FLANGE, 6X55	E-2-34
		BOLT, FLANGE, 6X55	F-8-26
		BOLT, FLANGE, 6X55	F-8-26
		BOLT, FLANGE, 8X100	E-6-8
		BOLT, FLANGE, 8X100	E-6-19
		BOLT, FLANGE, 8X110	E-2-28
		BOLT, FLANGE, 8X110	E-2-28
		BOLT, FLANGE, 8X120	E-6-20
		BOLT, FLANGE, 8X18	F-7-10-28
		BOLT, FLANGE, 8X20	E-3-21
		BOLT, FLANGE, 8X20	E-3-21
		BOLT, FLANGE, 8X25	F-10-35
		BOLT, FLANGE, 8X25	F-10-35
		BOLT, FLANGE, 8X28	FOP-10-70
		BOLT, FLANGE, 8X28	FOP-10-176
		BOLT, FLANGE, 8X35	E-3-24
		BOLT, FLANGE, 8X35	E-3-24
		BOLT, FLANGE, 8X35	E-6-10
		BOLT, FLANGE, 8X35	E-14-15
		BOLT, FLANGE, 8X35	E-14-15
		BOLT, FLANGE, 8X35	F-15-50
		BOLT, FLANGE, 8X40	E-5-12
		BOLT, FLANGE, 8X40	E-5-12
		BOLT, FLANGE, 8X45	E-3-25
		BOLT, FLANGE, 8X45	E-6-11
		BOLT, FLANGE, 8X45	E-14-16
		BOLT, FLANGE, 8X45	E-14-16
		BOLT, FLANGE, 8X60	E-5-11
		BOLT, FLANGE, 8X60	E-15-18
		BOLT, FLANGE, 8X60	E-15-18
		BOLT, FLANGE, 8X95	E-2-27
		BOLT, FLANGE, 8X95	E-2-27
		BOLT, FRICTION	F-15-30
		BOLT, FRICTION	FOP-10-31
		BOLT, FRICTION	FOP-10-1-23
		BOLT, HEX	F-11-30
		BOLT, HEX, 10X235	F-10-32
		BOLT, HEX, 10X32	FOP-10-66
		BOLT, HEX, 10X32	FOP-10-1-69
		BOLT, HEX, 10X80	F-3-10-14
		BOLT, HEX, 12X119	F-10-34
		BOLT, HEX, 12X186	F-3-27
		BOLT, HEX, 12X186	F-10-29
		BOLT, HEX, 12X80	FOP-10-62
		BOLT, HEX, 12X80	FOP-10-1-68
		BOLT, HEX, 4X20	FOP-12-7
		BOLT, HEX, 5X16	F-15-70
		BOLT, HEX, 6X14	F-10-33
		BOLT, HEX, 8X25	F-3-10-15
		BOLT, HEX, 8X55	F-4-19
		BOLT, HEX, 8X55	FOP-3-10
		BOLT, OIL CHECK	F-3-10-12
		BOLT, RECESSED	F-11-27
		BOLT, ROCKER ARM SHAFT	E-9-25
		BOLT, RR BRACKET	F-8-28
		BOLT SEALING, 18MM	E-5-7
		BOLT SEALING, 18MM	E-5-7
		BOLT SEALING, 20MM	E-2-7
		BOLT SEALING, 20MM	E-2-7

BOLT, SEALING, 24MM	E-3-1	BRACKET, TILTING	F-10-21	CASE, THERMOSTAT	E-3-38
BOLT, SEALING, 6MM	E-18-20-46	BRACKET, TROLLING CONTROL SWITCH PANEL	FOP-12-4	CHAIN(132L)	E-9-5
BOLT, SOCKET(A)	F-11-28		F-8-10	CIRCLIP, EXTERNAL	F-15-1-44
BOLT, SOCKET(B)	F-11-29	BRACKET, UNDER COVER	F-8-10	CIRCLIP, EXTERNAL, 12	F-2-35
BOLT, SOCKET, 6X16	F-3-10-20	BRACKET, UNDER COVER	F-8-10	CIRCLIP, EXTERNAL, 14MM	F-5-25
BOLT, SOCKET, 8X70	FOP-10-1-70	BRACKET, WIRE CLAMP	F-15-2-15	CIRCLIP, EXTERNAL, 39MM	F-10-54
BOLT, SPECIAL, 6X17	F-8-27	BREAKER ASSY.	F-11-1	CIRCLIP, INTERNAL	F-11-32
BOLT, SPECIAL, 6X220	FOP-9-2	BREAKER ASSY.	F-11-1	CIRCLIP, INTERNAL, 40	F-3-10-28
BOLT, SPECIAL, 6X31	E-9-10-9	BREAKER ASSY.	F-11-1	CLAMP A, FUEL TUBE	E-18-13
BOLT, SPECIAL, 6X37	F-8-30	BREAKER ASSY.	F-11-1	CLAMP B, FUEL TUBE	E-2-14
BOLT, STUD(10X164)	F-3-10-19	BREAKER ASSY.	F-11-1	CLAMP B, FUEL TUBE	E-15-4
BOLT, STUD(10X202)	F-3-10-18	BRUSH ASSY.	F-11-2	CLAMP B, FUEL TUBE	E-18-14
BOLT, STUD, 6X40	E-14-12	BRUSH ASSY.	F-11-2	CLAMP B, FUEL TUBE	E-18-20-38
BOLT, STUD, 6X40	E-14-12	BRUSH ASSY.	F-11-2	CLAMP D, FUEL TUBE	E-18-20-39
BOLT, STUD, 8X28	F-3-30-15	BRUSH ASSY.	F-11-2	CLAMP, BRACKET	FOP-10-48
BOLT, STUD, 8X28	F-3-30-15	BRUSH ASSY.	F-11-2	CLAMP, CHECK VALVE	E-18-20-24
BOLT, STUD, 8X32	E-2-33	BRUSH SET	E-21-7	CLAMP, HARNESS	F-15-10
BOLT, STUD, 8X32	E-2-33	BUFFER, PLATE	E-18-10-4	CLAMP, OXYGEN SENSOR	E-18-18
BOLT, TDC PULSER PLATE	E-9-4	BUSH	F-15-1-23	CLAMP, POWER TILT CORD	F-15-32
BOLT, TENSIONER PIVOT	E-9-24	BUSH A, COVER LOCK	F-2-22	CLAMP, SHIFT CABLE	FOP-10-1-22
BOLT, TORX(M6X20)	E-20-10-6	BUSH COMP., VERTICAL SHAFT	F-3-10-3	CLAMP, THROTTLE CABLE	FOP-10-1-24
BOLT, TORX(M6X20)	E-20-10-6	BUSH, LOWER CYLINDER	F-11-23	CLAMP, TUBE	E-18-10-14
BOLT-WASHER, 10X105	E-3-17	BUSH, MOTOR CODE	F-3-21	CLAMP, TUBE(7.5-11.5)	E-18-10-13
BOLT-WASHER, 10X30	E-9-26	BUSH, MOTOR CODE	F-11-18	CLAMP, TUBE(D10.5)	F-3-30-18
BOLT-WASHER, 10X40	F-3-10-17	BUSH, STEERING HANDLE	FOP-10-42	CLAMP, TUBE(D10.7)	E-18-20-51
BOLT-WASHER, 10X40	F-5-13	BUSH, STEERING HANDLE	FOP-10-1-38	CLAMP, TUBE(D29)	E-1-5
BOLT-WASHER, 14X36	E-19-4	BUSH, SWIVEL CASE	F-10-14	CLAMPER, CORD	F-7-10-8
BOLT-WASHER, 5X30	E-15-17	BUSH, SWIVEL CASE	F-11-10	CLAMP	F-6-5
BOLT-WASHER, 5X9	F-7-20	BUSH, THROTTLE SHAFT	FOP-10-1-53	CLAMP	F-6-8
BOLT-WASHER, 6X22	F-8-25	BUSH, TILT ARM	F-10-20	CLIP B1, TUBE	F-8-36
BOLT-WASHER, 6X27	F-3-31	BUSHING	F-15-1-8	CLIP(14MM)	F-3-37
BOLT-WASHER, 6X27(CT200)	E-15-15	BUTTON, THROTTLE	F-15-1-9	CLIP, 10.7MM	F-8-35
BOLT-WASHER, 6X27(CT200)	E-15-15	BUTTON, THROTTLE	FOP-4-9	CLIP, 7MM	F-3-38
BOLT-WASHER, 6X27(CT200)	E-20-10-10	BUTTON, THROTTLE	FOP-4-2-10	CLIP, BRAKE PIPE(A)	F-2-21
BOLT-WASHER, 6X27(CT200)	E-20-10-10	BUTTON, THROTTLE	FOP-4-4-8	CLIP, COUPLER HOLDER(B)	F-7-10-10
BOLT-WASHER, 6X27(CT200)	F-7-17	BUZZER ASSY., WARNING	FOP-10-25	CLIP, DETENT	F-15-2-9
BOLT-WASHER, 6X27(CT200)	F-7-17	BUZZER ASSY., WARNING	FOP-10-1-17	CLIP, EMERGENCY LOCK	F-15-44
BOLT-WASHER, 6X27(CT200)	F-7-10-42	BUZZER COMP., WARNING	F-15-47	CLIP, EMERGENCY LOCK	FOP-6-16
BOLT-WASHER, 6X27(CT200)	F-7-10-42	BUZZER COMP., WARNING	F-15-2-42	CLIP, EMERGENCY LOCK	FOP-6-1-10
BOLT-WASHER, 6X27(CT200)	F-8-24	BUZZER COMP., WARNING	FOP-6-20	CLIP, EMERGENCY LOCK	FOP-10-23
BOLT-WASHER, 6X27(CT200)	F-8-24	BUZZER COMP., WARNING	FOP-6-1-13	CLIP, EMERGENCY LOCK	FOP-10-1-15
BOLT-WASHER, 6X95	F-3-29	<C>		CLIP, HARNESS	E-2-35
BOLT-WASHER, 8X30	F-3-30	CABLE ASSY., LONG HANDLE(A)	FOP-10-10	CLIP, HARNESS BAND(BLACK)	E-2-38
BOLT-WASHER, 8X35	E-14-13	CABLE ASSY., LONG HANDLE(A)	FOP-10-1-7	CLIP, HARNESS BAND(BLACK)	F-2-42
BOLT-WASHER, 8X35	E-14-13	CABLE ASSY., REMOTE CONTROL(B)	F-15-35	CLIP, HARNESS BAND(BLACK)	F-7-8
BOLT-WASHER, 8X35	E-18-20-47	CABLE ASSY., REMOTE CONTROL(B)	F-15-2-30	CLIP, HARNESS BAND(BLACK)	FOP-11-6
BOLT-WASHER, 8X35	E-18-20-47	CABLE ASSY., STARTER	F-7-10-4	CLIP, HARNESS BAND(BROWN)	F-7-9
BOLT-WASHER, 9X155	E-2-26	CABLE ASSY., SWITCH PANEL	FOP-6-9	CLIP, HARNESS BAND(NATURAL)	E-19-6
BOX ASSY., FUSE(70A)	F-7-27	CABLE ASSY., SWITCH PANEL	FOP-6-9	CLIP, INJECTOR	E-14-2
BOX ASSY., POWER TILT SWITCH-1	FOP-10-1-50	CABLE ASSY., SWITCH PANEL	FOP-6-9	CLIP, ROLLER	F-15-2-74
BOX ASSY., POWER TILT SWITCH-2	FOP-10-1-51	CABLE ASSY., SWITCH PANEL	FOP-6-9	CLIP, SENSOR HOSE	E-18-10-16
BOX ASSY., REMOTE CONTROL	F-15-1-1	CABLE ASSY., SWITCH PANEL	FOP-6-9	CLIP, TUBE	E-18-20-23
BOX ASSY., REMOTE CONTROL	F-15-2-1	CABLE ASSY., SWITCH PANEL	FOP-6-9	CLIP, TUBE	F-3-30-25
BOX ASSY., REMOTE CONTROL(EU)	F-15-2	CABLE COMP., SHIFT	FOP-10-5	CLIP, TUBE(B10)	F-3-30-19
BOX KIT, REMOTE CONTROL	FOP-4-1	CABLE COMP., THROTTLE	FOP-10-2	CLIP, TUBE(B12)	E-18-22
BOX KIT, REMOTE CONTROL	FOP-4-2-1	CABLE SET, PANEL INDICATOR	FOP-6-2	CLIP, TUBE(B12)	E-18-10-18
BOX KIT, REMOTE CONTROL	FOP-4-4-1	CABLE SET, PANEL INDICATOR	FOP-6-2	CLIP, TUBE, 3.5	F-7-10-19
BRACKET	F-15-2-11	CABLE SET, PANEL INDICATOR	FOP-6-2	CLIP, WIRE HARNESS	F-7-20-3
BRACKET	FOP-10-46	CABLE, SHIFT	FOP-10-1-4	CLIP, WIRE HARNESS	F-10-55
BRACKET A, COUPLER	F-7-2	CABLE, THROTTLE	FOP-10-1-2	CLIP, WIRE HARNESS(6.3MM)	F-15-67
BRACKET A, COUPLER	F-7-2	CAMSHAFT COMP.	E-9-1	CLIP, WIRE HARNESS, 25MM	F-7-10-33
BRACKET A, HARNESS CLIP	E-9-10-2	CAMSHAFT COMP.	E-9-1	CLUTCH COMP., OVERRUNNING	E-21-2
BRACKET ASSY.	F-11-5	CAP	FOP-10-37	COIL ASSY., PLUG TOP	E-20-1
BRACKET ASSY.	F-11-5	CAP	FOP-10-1-33	COLLAR, 8.5X14.5	E-14-22
BRACKET ASSY.	F-11-5	CAP ASSY., OIL FILLER	E-3-6	COLLAR, 8.5X14.5	E-14-22
BRACKET ASSY.	F-11-5	CAP ASSY., OIL FILLER	E-3-6	COLLAR, 8.5X14.5	E-18-20-53
BRACKET ASSY.	F-11-5	CAP COMP., OIL TANK	F-11-26	COLLAR, 8.5X14.5	E-18-20-53
BRACKET ASSY., FR. UNDER COVER	F-3-46	CAP, GRIP	FOP-4-7	COLLAR, C.D.I. UNIT CASE	E-15-24
BRACKET ASSY., FR. UNDER COVER	F-8-44	CAP, GRIP	FOP-4-2-9	COLLAR, C.D.I. UNIT CASE	E-15-24
BRACKET B, HARNESS CLIP	E-18-10-15	CAP, GRIP	FOP-10-1-58	COLLAR, C.D.I. UNIT CASE	F-3-41
BRACKET B, STEERING	FOP-10-54	CAP, HANDLE	F-15-6	COLLAR, C.D.I. UNIT CASE	F-3-41
BRACKET B, STEERING	FOP-10-1-61	CAP, L. SIDE COVER	F-3-24	COLLAR, C.D.I. UNIT CASE	F-7-23
BRACKET C, COUPLER	F-7-3	CAP, RUBBER	F-15-2-16	COLLAR, C.D.I. UNIT CASE	F-7-23
BRACKET C, HARNESS CLIP	E-9-10-3	CAP, SWITCH	FOP-4-8	COLLAR, C.D.I. UNIT CASE	F-7-10-35
BRACKET D, HARNESS CLIP	E-2-22	CAP, TROLLING CONTROL SWITCH BLANK		COLLAR, C.D.I. UNIT CASE	F-7-10-35
BRACKET E, HARNESS CLIP	E-9-10-4			COLLAR, C.D.I. UNIT CASE	F-7-20-4
BRACKET, BUZZER	FOP-6-21	CAP, WATER JOINT	F-15-2-22	COLLAR, C.D.I. UNIT CASE	F-7-20-4
BRACKET, BUZZER	FOP-6-1-14	CARTRIDGE, OIL FILTER	E-3-5	COLLAR, C.D.I. UNIT CASE	F-7-30-3
BRACKET, CABLE	FOP-10-32	CASE ASSY., GEAR(L)	F-3-20-1	COLLAR, C.D.I. UNIT CASE	F-7-30-3
BRACKET, COUPLER	F-7-11	CASE ASSY., GEAR(L)	F-3-20-1	COLLAR, C.D.I. UNIT CASE	F-8-40
BRACKET, ELECTRONIC CONTROL UNIT	E-20-10-42	CASE ASSY., GEAR(XL)	F-3-20-1	COLLAR, C.D.I. UNIT CASE	F-8-40
BRACKET, FR	E-21-10	CASE ASSY., GEAR(XL)	F-3-20-1	COLLAR, DISTANCE	F-4-36
BRACKET, FR. UNDER COVER	F-3-10	CASE ASSY., OIL	E-6-1	COLLAR, DISTANCE	FOP-3-14
BRACKET, FUEL TUBE CLAMP	E-18-10	CASE COMP., CHAIN	E-9-10-1	COLLAR, DISTANCE(6.5X11X27)	F-8-39
BRACKET, FUSE BOX	F-7-10-12	CASE COMP., CHAIN	E-9-10-1	COLLAR, DISTANCE(6.5X11X27)	F-8-39
BRACKET, L. STERN	F-10-16	CASE COMP., CHAIN	E-9-10-1	COLLAR, DISTANCE(A)	FOP-9-3
BRACKET, LINK JOINT	F-15-20	CASE COMP., CHAIN	E-9-10-1	COLLAR, DISTANCE(B)	FOP-9-4
BRACKET, NEUTRAL SWITCH	F-2-20	CASE COMP., CHAIN	E-9-10-1	COLLAR, DISTANCE, 12.2X23X16	FOP-10-93
BRACKET, R. STERN	F-10-15	CASE COMP., MOUNT	F-3-30-12	COLLAR, DISTANCE, 12.2X23X16	FOP-10-1-98
BRACKET, RELAY	F-7-10-16	CASE COMP., SILENCER	E-15-7	COLLAR, DISTANCE, 6.2X7.5	F-8-42
BRACKET, REMOTE CONTROL HOUSING	FOP-4-12	CASE COMP., SILENCER	E-15-7	COLLAR, DISTANCE, 6.5X11X7.5	F-3-30-2
BRACKET, REMOTE CONTROL HOUSING	FOP-4-2-13	CASE, ELECTRONIC PARTS	F-7-20-1	COLLAR, DISTANCE, 6.5X11X7.5	F-3-30-2
BRACKET, RR	E-21-11	CASE, ELECTRONIC PARTS	F-7-20-1	COLLAR, DISTANCE, 6.5X11X7.5	F-7-10-1
BRACKET, SENSOR CORD	E-15-10	CASE, EXTENSION	F-3-11	COLLAR, DISTANCE, 6.5X9X11.5	F-8-41
BRACKET, SHIFT LINK	F-2-16	CASE, GEAR	F-3-10-4	COLLAR, DISTANCE, 6.5X9X3	F-3-10-31
		CASE, PUMP	E-18-20-25	COLLAR, DISTANCE, 6X10X43.5	F-15-69
		CASE, SWIVEL	F-10-12	COLLAR, FR. BRACKET	F-3-42

COLLAR, LINK JOINT	F-15-68	<E>		GUIDE COMP., ROD	F-11-46
COLLAR, LOWER CYLINDER	F-10-26	E-RING	FOP-10-84	GUIDE COMP, ROD	F-11-46
COLLAR, LOWER CYLINDER	F-10-26	E-RING	FOP-10-85	GUIDE COMP, ROD	F-11-46
COLLAR, LOWER CYLINDER	F-10-26	E-RING, 10MM	F-4-37	GUIDE COMP, ROD	F-11-46
COLLAR, LOWER CYLINDER	F-10-26	E-RING, 12MM	F-2-46	GUIDE COMP, ROD	F-11-46
COLLAR, LOWER CYLINDER	F-10-26	E-RING, 15MM	F-11-45	GUIDE COMP, ROD	F-11-46
COLLAR, LOWER MOUNTING	F-3-17	E-RING, 3MM	F-15-79	GUIDE, EX. VALVE(O.S.)	E-2-3
COLLAR, LOWER MOUNTING	F-3-17	E-RING, 4MM	F-2-44	GUIDE, HARNESS	FOP-10-1-49
COLLAR, LOWER MOUNTING	F-3-17	E-RING, 4MM	F-3-43	GUIDE, IN. VALVE(O.S.)	E-2-2
COLLAR, LOWER MOUNTING	F-3-17	E-RING, 4MM	F-15-80	GUIDE, SPRING	FOP-10-38
COLLAR, LOWER MOUNTING	F-3-17	E-RING, 4MM	FOP-10-1-102	GUIDE, SPRING	FOP-10-1-31
COLLAR, ORIFICE	F-11-44	E-RING, 6MM	F-2-45	GUIDE, THROTTLE HARNESS	FOP-10-1-42
COLLAR, P.T.T. RELAY	F-7-10-36	E-RING, 6MM	FOP-4-36	<H>	
COLLAR, P.T.T. RELAY	F-7-10-36	E-RING, 6MM	FOP-4-2-41	HANDLE KIT, STEERING	FOP-10-1
COLLAR, SLIDING PLATE	F-15-17	E-RING, 6MM	FOP-4-4-28	HANDLE KIT, STEERING(E)	FOP-10-1-1
COLLAR, SPLASH PLATE	F-10-59	E-RING, 6MM(LOOSE PARTS)	F-15-2-68	HANDLE, REMOTE CONTROL	F-15-3
COLLAR, STEERING ROD	F-10-60	E-RING, 7MM	F-15-81	HANDLE, REMOTE CONTROL	F-15-1-2
CONTROL UNIT, ELECTRONIC	E-20-10-9	E-RING, 7MM	FOP-10-1-103	HANDLE, REMOTE CONTROL	FOP-4-4
CONTROL UNIT, ELECTRONIC	E-20-10-9	EXTENSION, OIL FILLER	E-3-8	HANDLE, REMOTE CONTROL	FOP-4-2-5
CONTROL UNIT, ELECTRONIC	E-20-10-9	<F>		HANDLE, REMOTE CONTROL	FOP-4-4-3
CONTROL UNIT, ELECTRONIC	E-20-10-9	FILTER ASSY., SPOOL VALVE	E-2-11	HANGER, ENGINE	E-3-3
CORD ASSY., INDICATOR(20FT)	FOP-6-4	FILTER B.	F-11-16	HARNESS ASSY., MAIN WIRE	F-7-1
CORD ASSY., INDICATOR(25FT)	FOP-6-4	FLOAT SET	E-18-20-2	HARNESS ASSY., MAIN WIRE	F-7-1
CORD ASSY., INDICATOR(30FT)	FOP-6-4	FLYWHEEL COMP.	E-7-12	HARNESS ASSY., MAIN WIRE	F-7-1
CORD COMP., EMERGENCY	F-15-43	FRAME ASSY., REMOTE CONTROL BOX	F-15-1-10	HARNESS ASSY., MAIN WIRE	F-7-1
CORD COMP., EMERGENCY	F-15-1-29	FRAME ASSY., SHIFT	FOP-10-7	HARNESS ASSY., POWER TRIM-TILT	F-15-1-27
CORD COMP., EMERGENCY	F-15-2-39	FRAME ASSY., SHIFT	FOP-10-1-6	HARNESS ASSY., REMOTE CONTROL SUB	
CORD COMP., EMERGENCY	FOP-6-1-5	FRAME ASSY., THROTTLE SUB	FOP-10-1-43		FOP-11-2
CORD COMP., EMERGENCY	FOP-6-1-9	FRAME COMP., MOUNTING	F-10-6	HARNESS ASSY., SWITCH PANEL	FOP-6-8
CORD COMP., EMERGENCY	FOP-10-122	FRAME, THROTTLE	FOP-10-1-30	HARNESS ASSY., SWITCH PANEL	FOP-6-1-4
CORD COMP., EMERGENCY	FOP-10-1-14	FUSE(70A)	F-7-13	HARNESS COMP.	E-18-20-44
COTTER, VALVE(FUJI VALVE)	E-9-23	FUSE, MINI(10A)	F-7-24	HARNESS, TROLLING CONTROL SWITCH PANEL	FOP-12-5
COVER ASSY.	FOP-4-4-11	FUSE, MINI(15A)	F-7-25	HEAD COMP., CYLINDER	E-2-5
COVER ASSY., A.C. GENERATOR	F-7-30-1	FUSE, MINI(30A)	F-7-26	HEAD COMP., CYLINDER	E-2-5
COVER ASSY., A.C. GENERATOR	F-7-30-1	<G>		HOLDER	E-18-20-9
COVER ASSY., ENGINE	F-8-13	GASKET B, IMPELLER	F-4-5	HOLDER COMP., BRUSH	E-21-9
COVER ASSY., ENGINE	F-8-13	GASKET B, IMPELLER	FOP-3-7	HOLDER COMP., STARTER CABLE	F-7-10-6
COVER ASSY., ENGINE	F-8-13	GASKET COMP., CYLINDER HEAD	E-2-8	HOLDER, NEUTRAL LOCK	F-15-2-20
COVER ASSY., ENGINE	F-8-13	GASKET, MOUNT CASE	E-6-7	HOLDER, NEUTRAL LOCK	FOP-4-4-14
COVER ASSY., FUSE(70A)	F-7-14	GASKET, WATER PUMP	F-4-7	HOLDER, OIL FILTER	E-3-19
COVER ASSY., OIL PATH	E-2-12	GASKET, WATER PUMP	FOP-3-8	HOLDER, PROPELLER SHAFT	F-5-12
COVER B, GEAR CASE	F-3-10-6	GAUGE COMP., OIL LEVEL	E-6-4	HOLDER, SEAL	F-2-17
COVER COMP.	E-18-20-5	GAUGE COMP., OIL LEVEL	E-6-4	HOLDER, SHIFT ROD	F-4-14
COVER COMP., ANODE	E-2-43	GEAR ASSY., INTERNAL	E-21-24	HOLDER, SWITCH	FOP-10-20
COVER COMP., CYLINDER HEAD	E-1-1	GEAR ASSY., PLANETARY	E-21-3	HOLDER, SWITCH	FOP-10-154
COVER COMP., ENGINE	F-8-13	GEAR ASSY., SHIFT	F-15-2-23	HOSE COMP., FUEL	E-18-8
COVER COMP., L. ENGINE UNDER	F-8-19	GEAR COMP., FR. BEVEL	F-5-8	HOSE, PRESSURE REGULATOR RETURN	E-18-20-42
COVER COMP., L. ENGINE UNDER	F-8-19	GEAR, DRIVE	F-15-2-24	HOUSING	FOP-10-28
COVER COMP., R. ENGINE UNDER	F-8-18	GEAR, PINION(12T)	F-4-18	HOUSING	FOP-10-1-20
COVER COMP., R. ENGINE UNDER	F-8-18	GEAR, RR. BEVEL	F-5-9	HOUSING ASSY., INNER(PANEL MOUNT)	
COVER, DUAL GRIP	FOP-4-2-8	GEAR, SHIFT	FOP-10-44		F-15-1-22
COVER, FLUSH VALVE	F-3-30-4	GEAR, SHIFT	FOP-10-1-40	HOUSING ASSY., L. INNER	FOP-4-3
COVER, FLUSH VALVE	F-3-30-4	GENERATOR ASSY., A.C.	E-19-1	HOUSING ASSY., L. INNER	FOP-4-2-3
COVER, GRIP	F-15-1-6	GRIP	F-15-2-5	HOUSING ASSY., R. INNER	FOP-4-2-4
COVER, GRIP	FOP-4-4-4	GRIP ASSY., THROTTLE FRICTION	FOP-10-49	HOUSING ASSY., R. INNER	FOP-4-4-2
COVER, IMPELLER	F-4-4	GRIP ASSY., THROTTLE FRICTION	FOP-10-1-52	HOUSING ASSY., REMOTE CONTROL BOX(A)	F-15-1-7
COVER, IMPELLER	F-4-4	GRIP, REMOTE CONTROL HANDLE	F-15-5	HOUSING COMP., REMOTE CONTROL BOX	
COVER, IMPELLER	FOP-3-6	GRIP, REMOTE CONTROL HANDLE	F-15-1-4		FOP-4-13
COVER, IMPELLER	FOP-3-6	GRIP, REMOTE CONTROL HANDLE	FOP-4-6	HOUSING COMP., REMOTE CONTROL BOX(A)	F-13-6
COVER, L. GRIP	FOP-4-5	GRIP, REMOTE CONTROL HANDLE	FOP-4-2-7		F-15-11
COVER, L. GRIP	FOP-4-2-6	GRIP, SCREW DRIVER	F-13-6	HOUSING COMP., REMOTE CONTROL BOX(B)	F-15-11
COVER, LEVER	F-15-2-6	GROMMET	F-15-1-15	HOUSING COMP., REMOTE CONTROL BOX(B)	F-15-12
COVER, LOCK ARM	FOP-4-4-6	GROMMET	FOP-10-19	HOUSING COMP., REMOTE CONTROL BOX(DUAL)	F-15-12
COVER, OIL PUMP	E-5-2	GROMMET	FOP-10-36		FOP-4-2-14
COVER, PLUG MAINTENANCE	F-8-17	GROMMET	FOP-10-1-27	HOUSING, FR.	F-15-2-12
COVER, PLUG MAINTENANCE	F-8-17	GROMMET, 1WAY	E-6-16	HOUSING, IMPELLER	F-4-2
COVER, POWER TRIM-TILT WIRE	F-15-2-18	GROMMET, 1WAY	E-6-16	HOUSING, IMPELLER	F-4-2
COVER, POWER TRIM-TILT WIRE	F-15-2-75	GROMMET, ELECTRONIC PARTS CASE	E-15-9	HOUSING, IMPELLER	FOP-3-4
COVER, PUMP(A)	E-18-20-27	GROMMET, ELECTRONIC PARTS CASE	F-7-20-2	HOUSING, IMPELLER	FOP-3-4
COVER, PUMP(B)	E-18-20-26	GROMMET, ENGINE COVER	F-8-21	HOUSING, LEAD	FOP-4-14
COVER, RELIEF VALVE	F-3-30-8	GROMMET, EXTENSION CASE	F-4-15	HOUSING, LEAD	FOP-4-2-15
COVER, REMOTE CONTROL CABLE	F-2-6	GROMMET, FUEL HOSE	E-18-9	HOUSING, LOWER CENTER MOUNTING	F-3-19
COVER, SEPARATE FRONT	F-8-9	GROMMET, GEAR CASE	F-3-10-5	HOUSING, LOWER MOUNTING	F-3-15
COVER, STARTER TERMINAL	F-7-10-5	GROMMET, GEAR CASE	F-3-10-7	HOUSING, REMOTE CONTROL BOX(B)	F-15-1-12
COVER, STEERING HANDLE UNDER	FOP-10-29	GROMMET, POWER TILT SWITCH	FOP-10-98	HOUSING, REMOTE CONTROL BOX(C)	F-15-1-14
COVER, THERMOSTAT	E-2-16	GROMMET, POWER TILT SWITCH	FOP-10-1-35	HOUSING, RR.	F-15-2-13
COVER, THERMOSTAT	E-3-10	GROMMET, POWER TILT SWITCH	FOP-10-1-36	HOUSING, WATER PUMP	F-4-6
COVER, THERMOSTAT	E-3-37	GROMMET, RELAY	F-7-16	IMPELLER, PUMP	F-4-1
COVER, UNDER	FOP-10-1-21	GROMMET, RELAY BRACKET	F-7-10-17	IMPELLER, PUMP	FOP-3-3
COVER, UPPER MOUNT	F-10-10	GROMMET, REMOTE CONTROL CABLE	F-3-7	INJECTOR ASSY., FUEL	E-14-1
COVER, WATER JACKET	E-2-18	GROMMET, SIDE	FOP-10-1-48	INSULATOR	E-18-20-29
COVER, WATER JACKET	E-2-18	GROMMET, SILENCER	E-15-8	INSULATOR COMP.	E-18-20-28
COVER, WATER JACKET	E-18-20-10	GROMMET, STEERING HANDLE CABLE	FOP-10-27	INSULATOR, FUEL PIPE	E-14-4
COVER, WIRE	FOP-10-14	GROMMET, STEERING HANDLE CABLE	FOP-10-1-19	<J>	
CRANKSHAFT COMP.	E-7-7	GROMMET, TA SENSOR	E-15-14	JOINT A, BREATHER	F-3-2
CUP, WATER SEPARATOR	E-18-10-3	GROMMET, UNDER CASE	E-9-10-6	JOINT ASSY(INLET)	F-6-2
<D>		GROMMET, UNDER CASE	F-3-6	JOINT ASSY(OUTLET)	F-6-3
DOWEL PIN, 12X14	E-3-27	GROMMET, UNDER CASE	F-7-30-2	JOINT SET	E-18-20-7
DOWEL PIN, 14X20	E-2-41	GROMMET, UNDER CASE	F-8-8	JOINT, DRIVE	F-11-14
DOWEL PIN, 6X10	E-6-14	GROMMET, UNDER CASE(C)	F-3-8	JOINT, FUEL FEED HOSE	E-18-10-1
DOWEL PIN, 6X10	E-6-17	GROMMET, VAPOR SEPARATOR	E-14-5	JOINT, FUEL PIPE	E-14-6
DOWEL PIN, 6X10	F-3-40	GROMMET, VAPOR SEPARATOR	E-18-20-32	JOINT, FUEL PIPE	E-18-20-37
DOWEL PIN, 6X10	F-3-10-29	GROMMET, WATER CHECK	F-8-22	JOINT, FUEL TUBE	E-15-5
DOWEL PIN, 6X10	F-3-10-29	GROMMET, WATER TUBE	E-6-5		
DOWEL PIN, 6X10	F-4-28	GROMMET, WIRE(14)	F-15-2-21		
DRIVER 1, PLUS SCREW(NO.2)	F-13-16	GUIDE COMP., CAM CHAIN	E-9-12		
DRUM ASSY., FREE THROTTLE	F-15-2-26	GUIDE COMP., ROD	F-11-46		

JOINT, WATER HOSE	F-8-3	NUT, FLANGE, 10MM	F-10-43	O-RING, 7.8X1.9(ARAI)	E-18-20-52
JOINT, WATER MOUTH	F-13-17	NUT, FLANGE, 10MM	F-10-63	O-RING, 9.5X1.9	E-2-36
JOINT, WATER TUBE	F-3-30-10	NUT, FLANGE, 12MM	F-3-35	O-RING, 9.5X1.9	E-3-31
<K>		NUT, FLANGE, 12MM	F-10-39	O-RING, 94X4.1	F-5-24
KEY, SPECIAL	E-7-14	NUT, FLANGE, 5MM	FOP-6-3	O-RING, OIL PUMP	E-5-15
KEY, WOODRUFF	F-4-27	NUT, FLANGE, 5MM	FOP-6-1-2	O-RING, PRESSURE REGULATOR	E-18-20-36
KEY, WOODRUFF	FOP-3-12	NUT, FLANGE, 6MM	E-14-18	O-RING, PUMP COVER	E-5-14
KIT, CABLE(NMEA)(6FT)	FOP-11-1	NUT, FLANGE, 6MM	E-14-18	O-RING, THERMOSTAT COVER	E-2-17
KNOB, RECOIL STARTER	F-13-1	NUT, FLANGE, 8MM	E-14-17	O-RING, THERMOSTAT COVER	E-3-11
<L>		NUT, FLANGE, 8MM	E-14-17	O-RING, THERMOSTAT COVER	F-3-30-11
LABEL, CAUTION OIL(ENGLISH)	F-12-13	NUT, HEX, 12MM	F-10-61	O-RING, WATER PUMP	F-4-34
LABEL, FUSE	F-12-1	NUT, HEX, 12MM	FOP-10-73	O-RING, WATER PUMP	FOP-3-13
LABEL, OIL CAUTION(ENGLISH)	F-12-13	NUT, HEX, 12MM	FOP-10-95	<P>	
LABEL, SIGP	F-15-2-48	NUT, HEX, 12MM	FOP-10-1-78	PACKING	E-18-20-13
LABEL, WARNING OPERATOR	F-12-15	NUT, HEX, 12MM	FOP-10-1-101	PACKING	F-11-43
LAMP ASSY., INDICATION	F-15-45	NUT, HEX, 16MM	F-4-22	PACKING, DUAL	FOP-4-2-19
LAMP ASSY., INDICATION	F-15-2-40	NUT, HEX, 16MM	F-8-33	PACKING, ELECTRONIC AIR CONTROL VALVE	
LAMP ASSY., INDICATION(4-LED)	FOP-6-18	NUT, HEX, 16MM	F-15-54		E-14-11
LAMP ASSY., INDICATION(4-LED)	FOP-6-1-11	NUT, HEX, 16MM	F-15-2-58	PACKING, EX. WATER JACKET COVER	E-2-19
LAMP ASSY., INDICATOR	FOP-10-24	NUT, HEX, 16MM	FOP-6-23	PACKING, FLASH VALVE	F-3-30-9
LAMP ASSY., INDICATOR	FOP-10-1-16	NUT, HEX, 16MM	FOP-6-1-16	PACKING, FUSE BOX COVER	F-7-15
LEVER SET	E-21-17	NUT, HEX, 16MM	FOP-10-72	PACKING, HEAD COVER	E-1-2
LEVER, FASTENER	F-3-22	NUT, HEX, 16MM	FOP-10-1-77	PACKING, INTAKE MANIFOLD	E-14-7
LEVER, FASTENER	F-8-15	NUT, HEX, 20MM	F-2-28	PACKING, OIL PAN	E-6-2
LEVER, FREE THROTTLE	F-15-2-28	NUT, HEX, 4MM	FOP-12-8	PACKING, REGULATOR	E-2-21
LEVER, HAND	F-15-2-3	NUT, HEX, 5MM	F-2-43	PACKING, SINGLE	FOP-4-18
LEVER, HANDLE LOCK	F-15-4	NUT, HEX, 5MM	F-15-78	PACKING, THERMOSTAT CASE	E-3-39
LEVER, HANDLE LOCK	F-15-1-3	NUT, HEX, 5MM	FOP-4-29	PACKING, THROTTLE BODY	E-14-8
LEVER, IDLE	F-15-23	NUT, HEX, 5MM	FOP-4-35	PAD, THROTTLE FRICTION	FOP-10-50
LEVER, SHIFT	FOP-10-6	NUT, HEX, 5MM	FOP-4-2-33	PAD, THROTTLE FRICTION	FOP-10-1-56
LEVER, SHIFT	FOP-10-1-5	NUT, HEX, 5MM	FOP-4-2-34	PANEL ASSY., INDICATOR(4-LED)	FOP-6-17
LIFTER, FUEL PUMP	E-2-13	NUT, HEX, 5MM	FOP-4-2-40	PANEL ASSY., SWITCH	FOP-6-5
LINE COMP., FUEL	E-14-3	NUT, HEX, 5MM	FOP-10-71	PANEL ASSY., TROLLING CONTROL	FOP-12-6
LINER, PUMP	F-4-3	NUT, HEX, 6MM	F-15-55	PANEL KIT, SWITCH(4-LED)	FOP-6-1-1
LINER, PUMP	FOP-3-5	NUT, HEX, 6MM	F-15-77	PANEL KIT, SWITCH(B)(4-LED)	FOP-6-1
LINER, SWIVEL CASE	F-10-13	NUT, HEX, 6MM	FOP-4-4-25	PANEL, BACK	F-15-2-14
LINK, THROTTLE	F-2-3	NUT, HEX, 6MM	FOP-10-94	PANEL, CONTROL	FOP-6-6
LINKAGE, PIVOT	F-2-1	NUT, HEX, 6MM	FOP-10-1-100	PANEL, CONTROL	FOP-6-7
LOW PERMEATION HOSE L=1600	F-6-7	NUT, LOCK, 64MM	F-4-21	PANEL, CONTROL	FOP-6-1-3
LOW PERMEATION HOSE L=700	F-6-6	NUT, NYLON, 5MM	FOP-10-1-80	PIN A, DOWEL, 7X12	E-9-29
<M>		NUT, SELF-LOCK(25X2.0)	F-10-41	PIN, 5X44.5	F-3-39
MANIFOLD COMP., INLET	E-14-9	NUT, SELF-LOCK(3/8-24UNF)	F-10-44	PIN, 5X59	F-8-38
MARK, CHANGE	FOP-10-60	NUT, SELF-LOCK(7/8-14UNF)	F-10-40	PIN, 6X6	F-15-64
MARK, CHANGE	FOP-10-1-67	NUT, SELF-LOCK, 10MM	F-3-10-24	PIN, GEARSHIFT	F-15-1-45
MARK, EMBLEM	F-15-2-47	NUT, SELF-LOCK, 5MM	F-3-10-23	PIN, LINK	F-2-37
MARK, EMERGENCY START	F-12-16	NUT, SELF-LOCK, 6MM	F-3-10-21	PIN, LINK	F-2-39
MARK, EMERGENCY STOP(US)	F-15-2-44	NUT, SELF-LOCK, 8MM	FOP-10-74	PIN, LOCK, 6MM	F-15-63
MARK, EMERGENCY STOP(US)	F-15-2-45	NUT, SELF-LOCK, 8MM	FOP-10-1-79	PIN, PISTON	E-7-3
MARK, EMERGENCY SWITCH INDICATION(EU)	FOP-10-58	NUT, TAPPET ADJUSTING	E-9-27	PIN, SHIFT LINK	F-2-38
MARK, EMERGENCY SWITCH INDICATION(EU)	FOP-10-1-65	NUT, TAPPET ADJUSTING	E-9-28	PIN, SHIFTER, 8X47	F-5-2
MARK, FAST IDLE	F-15-49	NUT, WATER MOUTH	F-8-2	PIN, SLIDE	FOP-10-1-39
MARK, FAST IDLE	F-15-2-43	NUT-WASHER, 8MM	F-7-22	PIN, SNAP, 6MM	F-2-36
MARK, FLUSH MOUNT	FOP-4-4-19	NUT-WASHER, 8MM	F-7-10-30	PIN, SPLIT, 2.0	FOP-10-86
MARK, FR. EMBLEM(TOYOTA)	F-12-18	<O>		PIN, SPLIT, 2.0	FOP-10-1-91
MARK, HANDLE FLUSH MOUNT	FOP-4-4-18	O RING, 33X2.4	E-2-45	PIN, SPLIT, 4.0	F-5-18
MARK, L. SIDE STRIPE	F-12-17	OIL SEAL	F-11-33	PIN, SPRING, 2.0X12	F-8-37
MARK, L. SIDE STRIPE	F-12-17	OIL SEAL, 39.5X52X6(ARAI)	F-10-57	PIN, SPRING, 2.5X20	F-10-62
MARK, R. SIDE STRIPE	F-12-6	OIL SEAL, 40X55X7(NOK)	E-9-10-13	PIN, THROTTLE CABLE	FOP-10-30
MARK, R. SIDE STRIPE	F-12-6	OIL SEAL, 80X98X10(ARAI)	E-3-28	PIN, UPPER CYLINDER	F-11-24
MARK, REMOTE CONTROL(A)(PANEL)	F-15-1-31	O-RING	E-15-12	PIN, UPPER CYLINDER	F-11-24
MARK, REMOTE CONTROL(B)	F-15-1-32	O-RING	E-18-10-11	PIN, UPPER CYLINDER	F-11-24
MARK, REMOTE CONTROL(C)	F-15-1-31	O-RING	E-18-20-11	PIN, UPPER CYLINDER	F-11-24
MARK, REMOTE CONTROL(DUAL)	FOP-4-2-24	O-RING	E-18-20-12	PIN, UPPER CYLINDER	F-11-24
MARK, REMOTE CONTROL(SINGLE)	FOP-4-21	O-RING	E-18-20-14	PIPE COMP., OIL LEVEL	F-3-30-1
MARK, RR.(BFT75)	F-12-2	O-RING	E-18-20-15	PIPE, BREATHER	E-15-1
MARK, RR.(BFT90)	F-12-3	O-RING	E-18-20-16	PIPE, GRIP	FOP-10-51
MARK, START	FOP-10-59	O-RING	F-4-33	PIPE, HARNESS GUIDE	F-15-33
MARK, STARTER(ENGLISH)	FOP-10-1-66	O-RING SET, 3.5X31.7	F-11-41	PIPE, OIL	E-3-7
MARK, THROTTLE(ENGLISH)	FOP-10-61	O-RING, 1.8X69.6	F-11-35	PIPE, THROTTLE GRIP	FOP-10-1-57
MARK, THROTTLE(ENGLISH)	FOP-10-1-104	O-RING, 1.8X7.7	F-11-37	PISTON COMP., FREE	F-11-20
METAL COMP., ANODE	F-3-10-11	O-RING, 1.9X11	F-11-38	PISTON(O.25)	E-7-2
METAL KIT, ANODE	F-10-1	O-RING, 11.5X3.5	F-3-30-22	PISTON(STD.)	E-7-2
METAL, ANODE	E-2-1	O-RING, 13X1.5(ARAI)	E-3-32	PIVOT, SHIFT	F-2-13
METER LEAD WIRE	FOP-7-3	O-RING, 15.54X2.62	F-10-58	PIVOT, SHIFT	F-15-18
MOTION COMP., LOST	E-2-9	O-RING, 15.54X2.62	FOP-10-91	PIVOT, SHIFT SLIDE	F-2-14
MOTOR ASSY., POWER TILT	F-11-4	O-RING, 15.54X2.7	FOP-10-1-96	PIVOT, THROTTLE CABLE	FOP-10-3
MOTOR ASSY., POWER TILT	F-11-4	O-RING, 15X1.9	E-6-15	PLATE	E-18-10-12
MOTOR ASSY., POWER TILT	F-11-4	O-RING, 15X1.9	E-2-37	PLATE ASSY.	F-15-2-2
MOTOR ASSY., POWER TILT	F-11-4	O-RING, 16MM	E-9-10-14	PLATE ASSY., LOCK	FOP-10-33
MOTOR ASSY., POWER TILT	F-11-4	O-RING, 18.1X3.6	F-3-30-21	PLATE COMP., SLIDING	F-15-16
MOTOR ASSY., POWER TILT	F-11-4	O-RING, 2.0X70.5	E-3-29	PLATE COMP., SPLASH	F-10-19
MOTOR ASSY., STARTER	E-21-1	O-RING, 20.6X1.9	F-11-34	PLATE COMP., THROTTLE	F-2-4
MOUNT COMP., LOWER RUBBER	F-3-16	O-RING, 20.6X1.9	FOP-10-90	PLATE KIT, SPLASH	F-10-2
MOUNT COMP., UPPER RUBBER	F-10-7	O-RING, 27X2(ARAI)	FOP-10-1-95	PLATE, BALL GUIDE	FOP-10-45
<N>		O-RING, 28.3X2.4(NOK)	F-2-41	PLATE, BALL GUIDE	FOP-10-1-41
NIPPLE, GREASE	F-10-56	O-RING, 3.5X35.7	E-3-33	PLATE, CABLE CLAMP	FOP-4-11
NIPPLE, SENSOR	F-3-13	O-RING, 3.5X37.7	F-11-39	PLATE, CABLE CLAMP	FOP-4-2-12
NIPPLE, SENSOR	F-3-45	O-RING, 3.5X38.7	F-11-36	PLATE, DWELL	FOP-4-15
NUT(1/4X20)	F-15-1-41	O-RING, 3.5X41.7	F-11-40	PLATE, DWELL	FOP-4-2-16
NUT, 5MM	F-15-2-59	O-RING, 31.2X2.4	E-18-23	PLATE, DWELL	FOP-4-4-10
NUT, 6MM (LOOSE PARTS)	F-15-2-57	O-RING, 58.5X3.5	F-4-35	PLATE, GUIDE	FOP-10-35
NUT, ADJUSTER ROD	F-10-42	O-RING, 59.4X3.1	E-21-23	PLATE, HANDLE	FOP-4-10
NUT, CASTLE, 18MM	F-5-14	O-RING, 6.5X1.5	E-3-30	PLATE, HANDLE	FOP-4-2-11
NUT, CLIP	F-8-32	O-RING, 6.9X1.45	F-3-10-30	PLATE, HARNESS	FOP-10-1-55
NUT, FLANGE CAP, 8MM	E-3-26	O-RING, 7.45X3.61(NOK)	E-14-21	PLATE, LEVER SETTING	F-15-9
NUT, FLANGE CAP, 8MM	E-3-26	O-RING, 7.47X3.6	E-14-20	PLATE, LOCK	F-2-15
		O-RING, 7.8X1.9(ARAI)	E-14-19	PLATE, LOCK	FOP-10-1-25

PLATE, REMOTE CONTROL	F-15-48	ROLLER	F-15-2-70	SCREW-WASHER	E-18-20-20
PLATE, REMOTE CONTROL CABLE	F-2-5	ROLLER	FOP-10-41	SCREW-WASHER, 3X7	F-7-19
PLATE, RUBBER SETTING	F-3-10-1	ROLLER	FOP-10-1-37	SCREW-WASHER, 5X10	F-7-21
PLATE, SHIFT	F-5-7	ROLLER, 3X12.8	F-5-22	SEAL A, COVER UNDER	F-3-30-13
PLATE, SHIFT CLAMP	FOP-10-1-47	ROLLER, 5X17.8	E-5-16	SEAL A, VALVE STEM(NOK)	E-2-4
PLATE, SHIFT PIVOT	F-2-12	ROLLER, CAM	FOP-10-1-45	SEAL B, COVER UNDER	F-3-25
PLATE, SPEED SENSOR TUBE	F-3-20	ROLLER, CLICK	F-15-66	SEAL B, VALVE STEM(NOK)	E-2-6
PLATE, SPRING SETTING	F-15-24	ROLLER, DRIVE GEAR CAM	F-15-2-69	SEAL, ENGINE COVER	F-8-14
PLATE, STEERING	F-10-23	ROLLER, FREE THROTTLE	F-15-2-73	SEAL, ENGINE COVER	F-8-14
PLATE, SWITCH	F-15-2-36	ROLLER, PLATE	FOP-10-1-44	SEAL, ENGINE COVER	F-8-14
PLATE, SWITCH	FOP-10-1-13	ROLLER, SHIFT CLICK	F-15-1-47	SEAL, ENGINE COVER	F-8-14
PLATE, TDC PULSER	E-9-3	ROPE, RECOIL STARTER(1300MM)	F-13-2	SEAL, ENGINE COVER	F-15-2-19
PLATE, WATER TUBE	E-6-6	ROTOR	E-19-2	SEAL, RUBBER	F-11-42
PLATE, WINKER BUZZER	F-15-46	ROTOR COMP.	E-21-5	SEAL, UPPER MOUNT COVER	F-10-11
PLATE, WINKER BUZZER	F-15-2-41	ROTOR, INNER	E-5-8	SEAL, WATER	F-11-42
PLATE, WINKER BUZZER	FOP-6-19	ROTOR, OUTER	E-5-9	SEAL, WATER	F-11-42
PLATE, WINKER BUZZER	FOP-6-1-12	RUBBER, FENDER MOUNTING	F-8-12	SEAL, WATER	F-11-42
PLUG, INNER CONNECTOR	F-15-36	RUBBER, GRIP	FOP-10-52	SEAL, WATER	F-11-42
PLUG, INNER CONNECTOR	F-15-2-31	RUBBER, GRIP	FOP-10-1-59	SEAL, WATER	F-11-42
PLUG, INNER CONNECTOR	FOP-6-10	RUBBER, RING	E-2-42	SEAL, WATER CHECK GROMMET	F-8-23
PLUG, INNER CONNECTOR	FOP-6-1-5	RUBBER, RING	E-3-36	SEAL, WATER, 12X21X6	F-4-32
PLUG, INNER CONNECTOR	FOP-10-16	RUBBER, SEAT SIDE	F-8-20	SEAL, WATER, 22X35X7	F-3-30-20
PLUG, INNER CONNECTOR	FOP-11-3	RUBBER, TROLLING CONTROL SWITCH PANEL	FOP-12-2	SEAL, WATER, 23X36X6	F-4-31
PLUG, OUTER CONNECTOR	F-15-37	RUBBER, UPPER MOUNT STOPPER	F-10-8	SEAL, WATER, 30X45X7	E-5-23
PLUG, OUTER CONNECTOR	F-15-2-32	<S>		SEAT, VALVE SPRING	E-9-22
PLUG, OUTER CONNECTOR	FOP-6-11	SCREEN COMP, FUEL STRAINER	E-18-20-40	SEAT, WATER MOUTH	F-8-4
PLUG, OUTER CONNECTOR	FOP-6-1-6	SCREEN, L. WATER	F-3-10-9	SENSOR ASSY, AIR TEMP.	E-15-13
PLUG, OUTER CONNECTOR	FOP-10-96	SCREEN, R. WATER	F-3-10-8	SENSOR ASSY, AIR TEMPERATURE	E-15-13
PLUG, OUTER CONNECTOR	FOP-11-4	SCREW	FOP-10-15	SENSOR ASSY, CRANK	E-9-10-5
PLUG, SPARK(IZFR6K-11E)	E-20-3	SCREW A.	F-15-1-33	SENSOR ASSY, MAP	E-15-11
PLUG, SPARK(IZFR6K-9E)	E-20-3	SCREW B.	F-15-1-34	SENSOR ASSY, TDC	E-2-25
PORT, IDLE EXHAUST	F-8-1	SCREW C.	F-15-1-35	SENSOR ASSY, TRIM ANGLE	F-10-5
PRIMER BULB	F-6-4	SCREW SET	E-15-2	SENSOR ASSY, WATER TEMPERATURE	E-2-24
PRIMER BULB ASSY	F-6-1	SCREW SET, DRAIN	E-18-20-6	SENSOR ASSY, WATER TEMPERATURE	E-3-16
PROPELLER COMP., THREE BLADES	FOP-8-1	SCREW(10-32X3/8)	F-15-1-39	SENSOR COMP., KNOCK	E-3-12
PROPELLER COMP., THREE BLADES	FOP-8-1	SCREW(10-32X5/8)	F-15-1-40	SENSOR, OIL PRESSURE	E-3-35
PROPELLER COMP., THREE BLADES	FOP-8-1	SCREW(8-32X3/8)	F-15-1-38	SENSOR, OXYGEN	E-2-23
PROPELLER COMP., THREE BLADES	FOP-8-1	SCREW(M5X14)	FOP-10-43	SEPARATOR ASSY, VAPOR	E-18-20-31
PROPELLER COMP., THREE BLADES	FOP-8-1	SCREW, 4X10	F-15-2-52	SEPARATOR ASSY, VAPOR	E-18-20-31
PROPELLER COMP., THREE BLADES	FOP-8-1	SCREW, 4X6	F-15-2-50	SEPARATOR ASSY, WATER	E-18-10-2
PROPELLER COMP., THREE BLADES	FOP-8-1	SCREW, 5X10	F-15-2-51	SEPARATOR, EXTENSION(XL)	F-3-10-2
PROPELLER COMP., THREE BLADES	FOP-8-1	SCREW, 5X12	F-15-2-53	SHAFT ASSY., CLUTCH	E-21-13
PROPELLER COMP., THREE BLADES	FOP-8-1	SCREW, 5X18	F-15-2-49	SHAFT ASSY., GEAR	E-21-14
PROPELLER COMP., THREE BLADES	FOP-8-1	SCREW, 6X90 (LOOSE PARTS)	F-15-2-54	SHAFT ASSY., PROPELLER	F-5-10
PROPELLER COMP., THREE BLADES	FOP-8-1	SCREW, 6X95	F-15-53	SHAFT ASSY., THROTTLE	FOP-10-1-29
PROPELLER COMP., THREE BLADES	FOP-8-1	SCREW, FLAT, 5X12	F-15-52	SHAFT COMP, ROCKER ARM	E-9-13
PROPELLER COMP., THREE BLADES	FOP-8-1	SCREW, FLAT, 5X14	FOP-10-1-72	SHAFT COMP, SHIF	F-2-18
PROPELLER COMP., THREE BLADES	FOP-8-1	SCREW, FLAT, 5X55	F-3-10-13	SHAFT, GEAR SHIFT	F-15-1-19
PROPELLER COMP., THREE BLADES	FOP-8-1	SCREW, FRICTION	F-15-1-36	SHAFT, HANDLE	F-15-1-17
PROPELLER COMP., THREE BLADES	FOP-8-1	SCREW, PAN	E-18-20-19	SHAFT, OIL PUMP	E-5-3
PROPELLER COMP., THREE BLADES	FOP-8-1	SCREW, PAN, 4X10	FOP-4-26	SHAFT, PROPELLER	F-5-11
PULLER, MINI FUSE(SUMITOMO)	F-13-4	SCREW, PAN, 4X10	FOP-4-2-29	SHAFT, STEERING FRICTION	FOP-10-57
PUMP ASSY KIT, FUEL	E-18-1	SCREW, PAN, 5X10	FOP-4-2-29	SHAFT, STEERING FRICTION	FOP-10-1-64
PUMP ASSY	F-11-12	SCREW, PAN, 5X10	FOP-4-23	SHAFT, THROTTLE BUTTON	FOP-4-4-9
PUMP ASSY, FUEL	E-18-7	SCREW, PAN, 5X10	FOP-4-2-26	SHAFT, TILTING	F-10-18
PUMP ASSY, OIL	E-5-1	SCREW, PAN, 5X12	E-18-10-8	SHAFT, VERTICAL(L)	F-4-16
PUMP ASSY, OIL	E-5-1	SCREW, PAN, 5X12	FOP-10-1-99	SHAFT, VERTICAL(UL)	F-4-16
PUMP KIT, IMPELLER	FOP-3-1	SCREW, PAN, 5X14	FOP-4-22	SHIFTER, CLUTCH	F-5-1
PUMP KIT, IMPELLER	FOP-3-2	SCREW, PAN, 5X16	FOP-4-22	SHIM A, BEVEL(FR)(0.10)	F-5-17
PUMP KIT, IMPELLER	FOP-3-2	SCREW, PAN, 5X16	FOP-4-2-25	SHIM A, GEAR(0.10)	F-4-26
PUMP UNIT, FUEL	E-18-20-34	SCREW, PAN, 5X16	FOP-4-4-20	SHIM B, BEVEL(FR)(0.15)	F-5-17
PUMP UNIT, FUEL(A)	E-18-20-3	SCREW, PAN, 5X18	E-15-16	SHIM B, GEAR(0.15)	F-4-26
PUMP UNIT, FUEL(A)	E-18-20-3	SCREW, PAN, 5X18	FOP-4-25	SHIM C, BEVEL(FR)(0.30)	F-5-17
PUMP UNIT, FUEL(B)	E-18-20-8	SCREW, PAN, 5X18	FOP-4-2-28	SHIM C, GEAR(0.30)	F-4-26
<R>		SCREW, PAN, 5X20	FOP-4-24	SHIM D, BEVEL(FR)(0.50)	F-5-17
RECEIVER, THRUST	F-10-25	SCREW, PAN, 5X20	FOP-4-2-27	SHIM D, GEAR(0.50)	F-4-26
RECTIFIER ASSY., REGULATOR	E-2-20	SCREW, PAN, 5X30	FOP-4-4-22	SLIDER COMP., CAM CHAIN TENSIONER	
REGULATOR ASSY., PRESSURE	E-18-20-35	SCREW, PAN, 5X40	FOP-4-28	SLIDER COMP., SHIF	E-9-11
RELAY ASSY., MAIN	F-7-10-18	SCREW, PAN, 5X40	FOP-4-2-31	SLIDER, SHIF	F-5-4
RELAY ASSY., MAIN	F-7-10-18	SCREW, PAN, 5X40	FOP-6-22	SLIDER, SHIF	F-5-5
RELAY ASSY., POWER TILT	F-7-10-14	SCREW, PAN, 5X40	FOP-6-1-15	SLINGER, OIL	F-4-17
RETAINER	F-15-1-13	SCREW, PAN, 5X55	FOP-4-2-32	SPACER	FOP-10-1-28
RETAINER, VALVE SPRING	E-9-21	SCREW, PAN, 5X65	FOP-4-34	SPACER KIT, REMOTE CONTROL BOX	FOP-4-2
RING	E-18-20-30	SCREW, PAN, 5X65	FOP-4-2-39	SPACER KIT, REMOTE CONTROL BOX	FOP-4-2-2
RING SET, PISTON(0.25)	E-7-1	SCREW, PAN, 5X8	E-21-21	SPACER(1)(LOOSE PARTS)	F-15-2-10
RING SET, PISTON(STD.)	E-7-1	SCREW, PAN, 6X10	F-15-51	SPACER(2)(LOOSE PARTS)	F-15-2-67
RING, BACK UP	F-11-17	SCREW, PAN, 6X18	E-2-39	SPACER, CABLE CLAMP	F-15-34
RING, CROSS PIN	F-5-3	SCREW, PAN, 6X18	FOP-4-27	SPACER, CABLE CLAMP	FOP-4-17
RING, STOPPER	F-4-13	SCREW, PAN, 6X18	FOP-4-2-30	SPACER, CABLE CLAMP	FOP-4-2-18
RING, WATER TUBE SEAL	F-4-9	SCREW, PAN, 6X22	E-21-20	SPACER, CABLE CLAMP	FOP-4-4-13
RING, WATER TUBE SEAL	FOP-3-9	SCREW, PAN, 6X35	FOP-4-4-23	SPACER, CLICK SPRING	F-15-28
ROD A COMP, SHIFT(L)	F-4-12	SCREW, PAN, 6X8	F-3-32	SPACER, NEUTRAL SWITCH	F-15-31
ROD A COMP, SHIFT(XL)	F-4-12	SCREW, PAN, 6X8	F-3-33	SPACER, REMOTE CONTROL BOX	F-15-27
ROD COMP, CONNECTING	E-7-5	SCREW, PAN, 6X8	F-11-31	SPANNER, 8X10	F-13-15
ROD COMP, PISTON	F-11-47	SCREW, RIVET, 5X10	F-3-34	SPRING	FOP-10-1-34
ROD COMP, PISTON	F-11-47	SCREW, RIVET, 5X10	F-8-29	SPRING COMP., CLICK	F-2-9
ROD COMP, PISTON	F-11-47	SCREW, TAPPET ADJUSTING	E-9-18	SPRING COMP., CLICK	F-10-3
ROD COMP, PISTON	F-11-47	SCREW, TAPPING, 5X10	F-15-73	SPRING(1)	FOP-15-2-27
ROD COMP, PISTON	F-11-47	SCREW, TAPPING, 5X12	F-15-74	SPRING(2)	F-15-2-8
ROD COMP, PISTON(B)	F-11-13	SCREW, TAPPING, 5X25	F-15-76	SPRING, ACCELERATOR WHEEL	F-15-22
ROD COMP, SHIFT(L)	F-4-10	SCREW, TAPPING, 5X8	F-15-72	SPRING, CHOKE RETURN	F-15-26
ROD COMP, THROTTLE	F-2-2	SCREW, TAPPING, 6X16	F-15-75	SPRING, CLICK ASSIST	F-2-10
ROD, ADJUSTING	F-10-17	SCREW, TAPPING, 6X30	FOP-4-4-24	SPRING, CLICK ASSIST	F-10-4
ROD, GROMMET	FOP-10-47	SCREW, TRUSS, 4X12	FOP-4-4-21	SPRING, COL	FOP-10-40
ROD, STEERING	F-10-24	SCREW, WASHER	E-18-20-21	SPRING, COMPRESSION	E-18-20-41
ROD, STEERING FRICTION	FOP-10-56	SCREW-WASHER	E-18-20-17	SPRING, DETENT	F-15-2-29
ROD, STEERING FRICTION	FOP-10-1-63	SCREW-WASHER	E-18-20-18	SPRING, EX. VALVE	E-9-20



SPRING, FLUSH VALVE .....	F-3-30-5	TUBE A, BREATHER .....	E-15-21	WASHER, PLAIN, 5MM .....	F-15-57
SPRING, GEAR SHIFT .....	F-15-1-20	TUBE A, CHECK VALVE .....	E-18-2	WASHER, PLAIN, 5MM .....	F-15-58
SPRING, IN. VALVE .....	E-9-19	TUBE A, WATER .....	E-18-20-43	WASHER, PLAIN, 5MM .....	FOP-4-31
SPRING, MOTOR .....	F-11-8	TUBE B, AIR VENT .....	E-18-5	WASHER, PLAIN, 5MM .....	FOP-4-33
SPRING, NEUTRAL LOCK ARM .....	FOP-4-4-7	TUBE B, BREATHER .....	E-15-22	WASHER, PLAIN, 5MM .....	FOP-4-2-36
SPRING, RELIEF VALVE .....	E-5-5	TUBE B, CHECK VALVE .....	E-18-3	WASHER, PLAIN, 5MM .....	FOP-4-2-38
SPRING, REMOTE CONTROL HANDLE .....	F-15-8	TUBE B, WATER .....	F-3-30-3	WASHER, PLAIN, 5MM .....	FOP-6-25
SPRING, REMOTE CONTROL HANDLE .....	F-15-1-5	TUBE C, AIR VENT .....	E-18-6	WASHER, PLAIN, 5MM .....	FOP-6-1-18
SPRING, SHIFT .....	F-5-6	TUBE C, BREATHER .....	E-15-23	WASHER, PLAIN, 6MM .....	E-15-20
SPRING, SHIFT CLICK .....	F-15-25	TUBE C, FUEL .....	E-18-10-7	WASHER, PLAIN, 6MM .....	E-15-20
SPRING, SHIFT CLICK .....	F-15-1-24	TUBE COMP. A, FUEL .....	E-18-10-5	WASHER, PLAIN, 6MM .....	F-2-31
SPRING, SHIFT ROD .....	F-4-11	TUBE COMP. B, FUEL .....	E-18-10-6	WASHER, PLAIN, 6MM .....	F-2-31
SPROCKET, CAM CHAIN DRIVEN .....	E-9-2	TUBE D, FUEL .....	E-18-11	WASHER, PLAIN, 6MM .....	F-4-24
SPROCKET, CAM CHAIN(23T) .....	E-7-11	TUBE E, FUEL .....	E-18-12	WASHER, PLAIN, 6MM .....	F-8-34
STATOR .....	E-19-3	TUBE KIT, SPEED SENSOR .....	F-3-1	WASHER, PLAIN, 6MM .....	F-8-34
STAY .....	FOP-10-1-46	TUBE(38.1X40) .....	FOP-10-8	WASHER, PLAIN, 6MM .....	F-15-59
STAY, FUEL TUBE .....	E-18-20-33	TUBE, 5X950 .....	F-3-44	WASHER, PLAIN, 6MM .....	FOP-4-4-27
STAY, POWER TILT SWITCH .....	F-8-7	TUBE, 7X110 .....	F-3-30-24	WASHER, PLAIN, 8MM .....	F-2-34
STOPPER .....	FOP-10-3-4	TUBE, CORD, 30MM .....	FOP-10-1-97	WASHER, PLAIN, 8MM .....	F-3-10-26
STOPPER ASSY., ENGINE SIDE .....	F-8-11	TUBE, CORD, 40MM .....	FOP-10-92	WASHER, PLAIN, 8MM .....	F-7-10-32
STOPPER ASSY., ENGINE SIDE .....	F-8-11	TUBE, CORRUGATE(28MM) .....	F-15-1	WASHER, PLAIN, 8MM .....	F-15-61
STOPPER SET, SLEEVE .....	E-21-8	TUBE, CORRUGATE(28MM) .....	F-15-2-76	WASHER, PLAIN, 8MM .....	FOP-10-75
STOPPER, LOWER MOUNT .....	F-3-18	TUBE, FUEL, 3.5X120 .....	E-18-20-54	WASHER, PLAIN, 8MM .....	FOP-10-1-81
STOPPER, SHIFT .....	FOP-10-1-26	TUBE, FUEL, 8X300 .....	F-8-43	WASHER, PLATE .....	FOP-10-1-85
STOPPER, TILT .....	F-10-22	TUBE, OIL .....	E-1-3	WASHER, PROPELLER THRUST .....	F-5-15
STOPPER, UPPER MOUNT .....	F-10-9	TUBE, SPEED SENSOR .....	F-3-14	WASHER, PROPELLER THRUST .....	F-5-15
STRAINER COMP., FUEL .....	E-18-15	TUBE, SPIRAL .....	F-3-5	WASHER, PROPELLER THRUST .....	F-5-15
STRAINER COMP., FUEL .....	E-18-10-9	TUBE, SPIRAL(12X14.6) .....	F-11-3	WASHER, PROPELLER THRUST .....	F-5-15
STRAINER COMP., OIL .....	E-6-3	TUBE, VINYL, 4X7X190 .....	E-15-25	WASHER, PROPELLER THRUST .....	F-5-15
STRAP, HARNESS(30)(BLACK) .....	F-7-10	TUBE, VINYL, 5X9X240 .....	E-18-20-55	WASHER, SEALING, 18MM .....	E-5-6
SUB HARNESS ASSY., POWER TRIM-TILT(A) .....	FOP-4-19	TUBE, WATER CHECK .....	F-3-30-23	WASHER, SEALING, 24MM .....	E-3-2
SUB HARNESS ASSY., POWER TRIM-TILT(A) .....	FOP-4-2-20	TUBE, WATER(L) .....	F-4-8	WASHER, SEALING, 6MM .....	E-18-20-50
SUB HARNESS ASSY., POWER TRIM-TILT(B) .....	FOP-4-2-21	TUBE, WATER(XL) .....	F-4-8	WASHER, SHIFT SHAFT .....	F-2-30
SUB HARNESS ASSY., POWER TRIM-TILT(C) .....	FOP-4-4-16	<V>		WASHER, SIDE, 14MM .....	F-2-29
SUSPENSION, COUPLER .....	F-7-12	VALVE ASSY., ELECTRONIC AIR CONTROL .....	E-14-10	WASHER, SPRING, 4MM .....	FOP-12-9
SUSPENSION, STRAINER .....	E-18-10-10	VALVE ASSY., RELIEF .....	F-3-30-6	WASHER, SPRING, 5MM .....	FOP-6-26
SUSPENSION, WARNING BUZZER .....	FOP-10-26	VALVE ASSY., SPOOL .....	E-2-10	WASHER, SPRING, 5MM .....	FOP-6-1-19
SUSPENSION, WARNING BUZZER .....	FOP-10-1-18	VALVE COMP., MANUAL .....	F-11-21	WASHER, THRUST .....	E-7-9
SWITCH ASSY., COMBINATION .....	F-15-39	VALVE COMP., RESERVOIR .....	F-11-22	WASHER, THRUST .....	E-9-14
SWITCH ASSY., COMBINATION .....	F-15-2-33	VALVE SET, FLOAT .....	E-18-20-1	WASHER, THRUST, 13MM .....	E-5-13
SWITCH ASSY., COMBINATION .....	FOP-6-1-3	VALVE, CHECK .....	E-18-17	WASHER, THRUST, 34MM .....	F-10-47
SWITCH ASSY., COMBINATION .....	FOP-10-1-17	VALVE, EX .....	E-9-17	WASHER, WAVE .....	F-15-2-66
SWITCH ASSY., COMBINATION .....	FOP-10-1-9	VALVE, FLASH .....	F-3-30-7	WASHER, WAVE, 14MM .....	FOP-10-80
SWITCH ASSY., EMERGENCY STOP .....	F-15-42	VALVE, IN .....	E-9-16	WASHER, WAVE, 14MM .....	FOP-10-1-87
SWITCH ASSY., EMERGENCY STOP .....	F-15-1-28	VALVE, RELIEF .....	E-5-4	WASHER, WAVE, 26MM .....	F-10-46
SWITCH ASSY., EMERGENCY STOP .....	F-15-2-38	WASHER .....	F-15-1-42	WASHER, WAVE, 40MM .....	F-10-45
SWITCH ASSY., EMERGENCY STOP .....	FOP-6-14	WASHER .....	F-15-1-43	WATER SEAL, 14X26X6 .....	F-2-40
SWITCH ASSY., EMERGENCY STOP .....	FOP-6-1-8	WASHER(3) .....	FOP-10-1-82	WHEEL, ACCELERATOR .....	F-15-21
SWITCH ASSY., EMERGENCY STOP .....	FOP-10-21	WASHER(4) .....	FOP-10-1-84	WHEEL, CONTROL .....	F-15-14
SWITCH ASSY., EMERGENCY STOP .....	FOP-10-1-10	WASHER(5) .....	F-15-2-61	WHEEL, CONTROL .....	F-15-1-16
SWITCH ASSY., MAGNET .....	E-21-12	WASHER(7)(LOSSE PARTS) .....	F-15-2-63	WIRE, FASTENER .....	F-3-23
SWITCH ASSY., NEUTRAL .....	F-2-19	WASHER(10MM) .....	F-15-2-65	WIRE, FASTENER .....	F-8-16
SWITCH ASSY., POWER TILT .....	F-8-6	WASHER, 10MM .....	F-10-48	WIRE, LEAD(1.5X116MM) .....	F-11-9
SWITCH ASSY., POWER TILT .....	FOP-10-18	WASHER, 10MM .....	FOP-10-78	WIRE, LEAD(1.5X137MM) .....	F-3-12
SWITCH ASSY., POWER TILT .....	FOP-10-1-12	WASHER, 10MM .....	FOP-10-81	WRENCH, BOX(P18X19) .....	F-13-13
SWITCH ASSY., POWER TRIM-TILT .....	F-15-40	WASHER, 13MM .....	FOP-10-1-88	WRENCH, PLUG .....	F-13-8
SWITCH ASSY., POWER TRIM-TILT .....	F-15-2-35	WASHER, 14MM .....	F-2-33	<Y>	
SWITCH ASSY., POWER TRIM-TILT(A) .....	F-15-1-30	WASHER, 14MM .....	F-2-32	YOKE ASSY. ....	F-11-7
SWITCH ASSY., POWER TRIM-TILT(A) .....	FOP-4-20	WASHER, 26MM .....	F-3-10-25	YOKE COMP. ....	E-21-4
SWITCH ASSY., POWER TRIM-TILT(A) .....	FOP-4-2-22	WASHER, 28MM .....	F-15-62		
SWITCH ASSY., POWER TRIM-TILT(B) .....	FOP-4-2-23	WASHER, 5MM .....	FOP-10-76		
SWITCH ASSY., POWER TRIM-TILT(C) .....	FOP-4-4-17	WASHER, 5MM .....	FOP-10-79		
SWITCH ASSY., TROLLING CONTROL .....	FOP-10-1-11	WASHER, 5MM .....	FOP-10-86		
SWITCH ASSY., TROLLING CONTROL .....	FOP-12-1	WASHER, 6MM .....	F-15-60		
<T>		WASHER, 8MM .....	F-4-25		
TAB, TRIM .....	F-3-10-10	WASHER, 8MM .....	F-15-2-64		
TACHOMETER HOUR METER .....	FOP-7-2	WASHER, 8MM .....	FOP-3-11		
TACHOMETER HOUR METER .....	FOP-7-2	WASHER, 8MM .....	FOP-10-77		
TANK, OIL .....	F-11-25	WASHER, 8MM .....	FOP-10-1-83		
TENSIONER COMP., CAM CHAIN .....	E-9-10	WASHER, 8MM .....	E-6-13		
TERMINAL, CABLE .....	FOP-4-16	WASHER, DRAIN PLUG, 12MM .....	E-2-40		
TERMINAL, CABLE .....	FOP-4-2-17	WASHER, DRAIN PLUG, 20MM .....	E-9-15		
TERMINAL, CABLE .....	FOP-4-4-12	WASHER, IN. WAVE .....	E-9-15		
TERMINAL, CABLE(LOSSE PARTS) .....	F-15-2-25	WASHER, LOCK, 5MM .....	FOP-4-30		
THERMOSTAT ASSY. ....	E-2-15	WASHER, LOCK, 5MM .....	FOP-4-2-35		
THERMOSTAT ASSY. ....	E-3-9	WASHER, LOCK, 5MM .....	FOP-4-4-26		
THROTTLE BODY ASSY. ....	E-15-3	WASHER, LOCK, 6MM .....	FOP-4-32		
TIE, CABLE .....	FOP-11-5	WASHER, LOCK, 6MM .....	FOP-4-2-37		
TIE, CABLE(NATURAL)(2.4X92) .....	F-15-38	WASHER, PIVOT .....	F-2-8		
TIE, CABLE(NATURAL)(2.4X92) .....	FOP-6-12	WASHER, PLAIN .....	E-18-20-22		
T-JOINT .....	E-18-16	WASHER, PLAIN, 10MM .....	F-3-10-27		
TRIM METER ASSY .....	FOP-7-1	WASHER, PLAIN, 10MM .....	F-3-10-27		
TRIM METER ASSY .....	FOP-7-1	WASHER, PLAIN, 10MM .....	F-10-49		
TRIM-TILT ASSY., POWER .....	F-11-11	WASHER, PLAIN, 10MM .....	F-10-53		
TRIM-TILT ASSY., POWER .....	F-11-11	WASHER, PLAIN, 12MM .....	F-3-36		
TRIM-TILT ASSY., POWER .....	F-11-11	WASHER, PLAIN, 12MM .....	F-4-23		
TRIM-TILT ASSY., POWER .....	F-11-11	WASHER, PLAIN, 12MM .....	F-10-50		
TRIM-TILT ASSY., POWER .....	F-11-11	WASHER, PLAIN, 12MM .....	F-10-51		
TRIM-TILT ASSY., POWER .....	F-11-11	WASHER, PLAIN, 12MM .....	F-10-52		
TRIM-TILT ASSY., POWER .....	F-11-11	WASHER, PLAIN, 12MM .....	FOP-10-82		
TRIM-TILT ASSY., POWER .....	F-11-11	WASHER, PLAIN, 12MM .....	FOP-10-83		
TRIM-TILT ASSY., POWER .....	F-11-11	WASHER, PLAIN, 12MM .....	FOP-10-1-89		
TRIM-TILT ASSY., POWER .....	F-11-11	WASHER, PLAIN, 12MM .....	FOP-10-1-90		
TUBE .....	FOP-10-9	WASHER, PLAIN, 18.5MM .....	F-5-16		
TUBE A, AIR VENT .....	E-18-4	WASHER, PLAIN, 4MM .....	F-15-56		

# INDEX (Parts Number)

332-70201-0 . . . . .	F-6-8	HCO-94540-06029 . . . . .	FOP-4-4-28	HPH7-90704-000 . . . . .	E-7-14	HSB6-91475-000. . . . .	F-15-67
3C7-70217-0 . . . . .	F-6-5	HCO-94540-07029 . . . . .	F-15-81	HPJ7-12204-305 . . . . .	E-2-2	HSC2-90649-003. . . . .	FOP-6-24
3C7-70220-1 . . . . .	F-6-2	HCO-94540-07029 . . . . .	FOP-10-1-103	HPJ7-12205-305 . . . . .	E-2-3	HSC2-90649-003. . . . .	FOP-6-1-17
3C7-70224-1 . . . . .	F-6-3	HCO-94540-10019 . . . . .	F-4-37	HPJ7-91309-010 . . . . .	F-3-30-22	HSD2-90705-931 . . . . .	F-2-36
3FF-70200-4 . . . . .	F-6-1	HCO-94540-12029 . . . . .	F-2-46	HPLC-37880-004. . . . .	E-15-13	HSE0-53740-953 . . . . .	E-18-10-16
3GF-70211-1 . . . . .	F-6-4	HCO-94540-15029 . . . . .	F-11-45	HPLC-91301-000. . . . .	E-14-20	HSF4-89216-000. . . . .	F-13-8
3GF-70240-1 . . . . .	F-6-7	HCO-95001-35120-40 . . . . .	E-18-20-54	HPM3-14744-000 . . . . .	E-9-18	HSJ6-91558-003 . . . . .	F-7-10
3GF-70241-1 . . . . .	F-6-6	HCO-95001-80300-40 . . . . .	F-8-43	HPM3-90206-004 . . . . .	E-9-27	HSTK-91540-003 . . . . .	F-2-42
3PU-72537-0 . . . . .	FOP-7-3	HCO-95003-07019-31 . . . . .	E-15-25	HPN4-19526-000 . . . . .	E-18-10-14	HSTK-91540-003. . . . .	FOP-11-6
3PU-72571-0 . . . . .	FOP-7-1	HCO-95003-11024-31 . . . . .	E-18-20-55	HPNA-90003-000 . . . . .	E-9-24	HSW5-91551-003 . . . . .	F-7-9
3PU-72637-0 . . . . .	FOP-7-2	HCO-95005-50950-30 . . . . .	F-3-44	HPNA-91214-014 . . . . .	E-3-28	HSZ5-91531-003. . . . .	F-7-10-19
3PV-72571-0 . . . . .	FOP-7-1	HCO-95005-70110-30 . . . . .	F-3-30-24	HPNA-91302-003 . . . . .	E-14-21	HVF9-89203-003. . . . .	F-13-15
3PV-72637-0 . . . . .	FOP-7-2	HCO-96100-62080-00 . . . . .	F-5-26	HPNA-91307-003 . . . . .	E-2-36	HVM0-46391-003 . . . . .	F-2-21
H341-38403-672. . . . .	F-15-46	HCO-96211-07000 . . . . .	F-5-27	HPNA-91307-003 . . . . .	E-3-31	HZB7-90691-003. . . . .	E-2-35
H341-38403-672. . . . .	F-15-2-41	HCO-96211-11000 . . . . .	F-5-28	HPNA-91333-003 . . . . .	E-2-37	HZC0-63515-700 . . . . .	F-3-24
H341-38403-672. . . . .	FOP-6-19	HCO-96220-50178 . . . . .	E-5-16	HPNA-91333-003 . . . . .	E-9-10-14	HZE2-90601-000 . . . . .	E-6-13
H341-38403-672. . . . .	FOP-6-1-12	HCO-96300-06014-09 . . . . .	E-3-34	HPNB-37500-003 . . . . .	E-9-10-5	HZH8-28461-013 . . . . .	F-13-1
H723-90472-000. . . . .	F-4-23	HCO-96300-06014-09 . . . . .	E-9-30	HPP4-90009-E01. . . . .	E-18-20-46	HZJ1-91408-810 . . . . .	FOP-10-1-97
H750-90628-000. . . . .	F-3-37	HCO-96300-06016-09 . . . . .	E-6-18	HPR3-91319-003. . . . .	E-3-32	HZV0-90017-C10 . . . . .	E-5-10
H763-90681-A01 . . . . .	F-7-20-3	HCO-96300-06028-09 . . . . .	E-9-31	HPT0-90206-004. . . . .	E-9-28	HZV0-90017-C10 . . . . .	F-2-24
H763-90681-A01 . . . . .	F-10-55	HCO-96300-08100-09 . . . . .	E-6-19	HPWA-11106-300 . . . . .	E-3-1	HZV0-90123-010. . . . .	E-19-5
H800-91303-000. . . . .	F-3-30-21	HCO-96300-08120-09 . . . . .	E-6-20	HPWA-11107-300 . . . . .	E-3-2	HZV0-90604-000. . . . .	E-18-22
H881-19271-811. . . . .	F-13-17	HCO-9807B-5617C . . . . .	E-20-3	HPWA-13111-000 . . . . .	E-7-3	HZV0-90604-000. . . . .	E-18-10-18
H881-90110-000. . . . .	F-10-33	HCO-98200-41000 . . . . .	F-7-24	HPWA-13204-003 . . . . .	E-7-4	HZV1-24210-010. . . . .	F-10-3
H921-17936-000. . . . .	F-2-8	HCO-98200-41500 . . . . .	F-7-25	HPWA-13211-003 . . . . .	E-7-6	HZV1-90127-010. . . . .	E-5-11
H921-90302-000. . . . .	F-8-33	HCO-98200-43000 . . . . .	F-7-26	HPWA-13212-003 . . . . .	E-7-6	HZV1-90127-010. . . . .	E-15-18
H921-90302-000. . . . .	F-15-54	HCO-99003-10000 . . . . .	F-13-16	HPWA-13213-003 . . . . .	E-7-6	HZV1-90506-000. . . . .	FOP-10-80
H921-90302-000. . . . .	F-15-2-58	HCO-99003-50000 . . . . .	F-13-6	HPWA-13214-003 . . . . .	E-7-6	HZV1-90506-000. . . . .	FOP-10-1-87
H921-90302-000. . . . .	FOP-6-23	HCO-99004-18190 . . . . .	F-13-13	HPWA-13215-003 . . . . .	E-7-6	HZV1-90759-000. . . . .	FOP-10-86
H921-90302-000. . . . .	FOP-6-1-16	HCO-99008-02000 . . . . .	F-13-14	HPWA-13216-003 . . . . .	E-7-6	HZV1-90759-000. . . . .	FOP-10-1-91
H921-90302-000. . . . .	FOP-10-72	HGE1-17357-670 . . . . .	F-3-2	HPWA-13217-003 . . . . .	E-7-6	HZV3-53104-000. . . . .	FOP-10-31
H921-90302-000. . . . .	FOP-10-1-77	HGET-90429-000. . . . .	F-2-29	HPWA-13322-003 . . . . .	E-7-8	HZV3-53104-000. . . . .	FOP-10-1-23
H921-90504-010. . . . .	F-15-59	HGHB-16163-600 . . . . .	F-3-30-25	HPWA-13323-003 . . . . .	E-7-8	HZV4-16910-015. . . . .	E-18-15
H921-90511-000. . . . .	F-10-49	HGHB-16163-610 . . . . .	E-18-20-23	HPWA-13324-003 . . . . .	E-7-8	HZV4-24221-010. . . . .	F-10-4
H921-90512-010. . . . .	F-15-60	HGJ5-80103-000. . . . .	F-8-21	HPWA-13325-003 . . . . .	E-7-8	HZV4-36182-651. . . . .	F-15-43
H921-90514-000. . . . .	F-4-25	HHA0-32121-003 . . . . .	F-7-10-2	HPWA-13326-003 . . . . .	E-7-8	HZV4-36182-651. . . . .	F-15-2-39
H921-90514-000. . . . .	FOP-3-11	HHA0-32121-003 . . . . .	F-7-10-2	HPWA-13327-003 . . . . .	E-7-8	HZV4-36182-651. . . . .	FOP-6-15
H921-90518-000. . . . .	F-2-34	HHP5-91304-601 . . . . .	FOP-10-90	HPWA-13328-003 . . . . .	E-7-8	HZV4-36182-651. . . . .	FOP-6-1-9
H921-90518-000. . . . .	F-15-61	HHP5-91304-601 . . . . .	FOP-10-1-95	HPWA-13342-003 . . . . .	E-7-10	HZV4-36182-651. . . . .	FOP-10-22
H952-32901-770. . . . .	F-15-38	HHW1-90114-671 . . . . .	E-6-10	HPWA-13343-003 . . . . .	E-7-10	HZV4-36182-651. . . . .	FOP-10-1-14
H952-32901-770. . . . .	FOP-6-12	HHW1-90118-671 . . . . .	FOP-10-70	HPWA-13344-003 . . . . .	E-7-10	HZV4-36187-652. . . . .	F-15-44
H965-77212-000. . . . .	F-8-20	HHW1-90118-671 . . . . .	FOP-10-1-76	HPWA-13345-003 . . . . .	E-7-10	HZV4-36187-652. . . . .	FOP-6-16
HCO-92101-04020-4J. . . . .	FOP-12-7	HHW1-90120-671 . . . . .	E-3-25	HPWA-13346-003 . . . . .	E-7-10	HZV4-36187-652. . . . .	FOP-6-1-10
HCO-92101-05016-4J. . . . .	F-15-70	HHW1-90120-671 . . . . .	E-6-11	HPWA-13347-003 . . . . .	E-7-10	HZV4-36187-652. . . . .	FOP-10-23
HCO-93500-05010-4J. . . . .	F-15-71	HHW1-90214-671 . . . . .	F-10-37	HPWA-13348-003 . . . . .	E-7-10	HZV4-36187-652. . . . .	FOP-10-1-15
HCO-93500-05014-4J. . . . .	FOP-10-1-99	HHW1-90215-671 . . . . .	F-10-38	HPWA-14221-003 . . . . .	E-9-3	HZV4-90302-000. . . . .	F-3-10-23
HCO-93500-05065-4J. . . . .	FOP-4-34	HHW1-90225-670 . . . . .	F-3-10-22	HPWA-14647-000 . . . . .	E-9-14	HZV4-90304-000. . . . .	F-15-55
HCO-93500-05065-4J. . . . .	FOP-4-2-39	HKF0-91305-003. . . . .	F-2-41	HPWA-17105-007 . . . . .	E-14-7	HZV4-90305-000. . . . .	FOP-10-74
HCO-93500-06018-4J. . . . .	E-2-39	HKM3-32161-003 . . . . .	F-3-3	HPWA-90008-003 . . . . .	E-2-26	HZV4-90305-000. . . . .	FOP-10-1-79
HCO-93901-250J0. . . . .	F-15-72	HKV6-90651-003. . . . .	F-7-10-2	HPWA-90017-G02. . . . .	E-19-4	HZV4-90502-000. . . . .	F-15-58
HCO-93901-251J0. . . . .	F-15-73	HKV6-90651-003. . . . .	F-7-10-2	HPWA-91212-003 . . . . .	E-9-10-13	HZV4-90502-000. . . . .	FOP-4-31
HCO-93901-252J0. . . . .	F-15-74	HKV6-90651-003. . . . .	F-7-10-2	HPWC-14631-010 . . . . .	E-9-13	HZV4-90502-000. . . . .	FOP-4-2-36
HCO-93903-262J0. . . . .	F-15-75	HMAL-91302-601 . . . . .	E-3-29	HPWC-14721-010 . . . . .	E-9-17	HZV4-90507-000. . . . .	F-3-10-26
HCO-93905-255J0. . . . .	F-15-76	HMB0-91359-000 . . . . .	F-4-35	HPWC-30520-S01 . . . . .	E-20-1	HZV4-90511-000. . . . .	F-4-24
HCO-94001-04490-0S . . . . .	FOP-12-8	HMB6-61102-631 . . . . .	F-8-12	HPWC-90006-003 . . . . .	E-9-25	HZV4-90514-000. . . . .	F-10-48
HCO-94001-05490-0S . . . . .	F-2-43	HMC7-90456-000 . . . . .	E-5-13	HPY3-14647-000. . . . .	E-9-15	HZV4-90514-000. . . . .	FOP-10-81
HCO-94001-05490-0S . . . . .	FOP-4-35	HMG9-35701-950 . . . . .	F-3-4	HPY3-17439-A01 . . . . .	E-18-10-13	HZV4-90514-000. . . . .	FOP-10-1-88
HCO-94001-05490-0S . . . . .	FOP-4-2-40	HMG9-35701-950 . . . . .	F-15-41	HPY3-31215-004. . . . .	E-21-3	HZV4-90603-000. . . . .	F-3-30-19
HCO-94001-06490-0S . . . . .	F-15-77	HMG9-91058-681 . . . . .	F-15-65	HPY3-31218-004. . . . .	E-21-6	HZV4-91255-651. . . . .	F-2-40
HCO-94001-12490-0S . . . . .	F-10-61	HMG9-91058-681 . . . . .	F-15-2-77	HPZ1-12210-004. . . . .	E-2-4	HZV5-12155-000. . . . .	E-2-1
HCO-94002-05490-0S . . . . .	F-15-78	HMJ0-91301-003 . . . . .	E-14-19	HPZ1-12211-004. . . . .	E-2-6	HZV5-17202-310. . . . .	F-3-30-2
HCO-94002-06490-0S . . . . .	FOP-10-94	HMJ0-91301-003 . . . . .	E-18-20-52	HPZA-14820-013 . . . . .	E-2-9	HZV5-17202-310. . . . .	F-7-10-1
HCO-94002-06490-0S . . . . .	FOP-10-1-100	HMJ0-91308-003 . . . . .	F-4-33	HRAA-15815-A02 . . . . .	E-2-11	HZV5-17838-000. . . . .	F-2-1
HCO-94002-12490-0S . . . . .	FOP-10-95	HMJ6-32660-710 . . . . .	F-7-10-8	HRB0-14211-003. . . . .	E-9-2	HZV5-24811-010. . . . .	F-15-3
HCO-94002-12490-0S . . . . .	FOP-10-1-101	HMM4-90105-000. . . . .	F-15-51	HRB0-14711-000. . . . .	E-9-16	HZV5-24812-000. . . . .	F-15-4
HCO-94103-05400 . . . . .	FOP-6-25	HMR5-16966-000 . . . . .	E-15-5	HRB1-14401-003. . . . .	E-9-5	HZV5-24813-000. . . . .	F-15-5
HCO-94103-05400 . . . . .	FOP-6-1-18	HMT8-18334-770 . . . . .	FOP-6-3	HRB1-14530-004. . . . .	E-9-12	HZV5-24814-010. . . . .	F-15-6
HCO-94109-20000 . . . . .	E-2-40	HMT8-18334-770 . . . . .	FOP-6-1-2	HRE1-37880-Z01. . . . .	E-15-13	HZV5-24815-010. . . . .	F-15-7
HCO-94111-04500 . . . . .	FOP-12-9	HMY5-91005-601 . . . . .	F-5-19	HRGA-14765-000 . . . . .	E-9-21	HZV5-24816-000. . . . .	F-15-8
HCO-94111-05400 . . . . .	FOP-6-26	HP08-14775-000 . . . . .	E-9-22	HRGA-30530-004 . . . . .	E-3-12	HZV5-24817-000. . . . .	F-15-9
HCO-94111-05400 . . . . .	FOP-6-1-19	HP2A-37881-000 . . . . .	E-15-14	HRGM-14781-A01 . . . . .	E-9-23	HZV5-24818-003. . . . .	F-15-10
HCO-94301-06100 . . . . .	E-6-17	HP3F-36533-A01. . . . .	E-18-18	HRMA-16723-E00 . . . . .	E-18-10-1	HZV5-24820-010. . . . .	F-15-11
HCO-94301-07120 . . . . .	E-9-29	HPC6-15234-000. . . . .	E-5-6	HRNA-37260-A01 . . . . .	E-3-35	HZV5-24830-010. . . . .	F-15-12
HCO-94301-14200 . . . . .	E-2-41	HPC6-91310-000 . . . . .	E-6-15	HRNA-37830-A01 . . . . .	E-15-11	HZV5-24836-000. . . . .	F-15-13
HCO-94510-14000 . . . . .	F-5-25	HPD2-90701-004 . . . . .	E-3-27	HRNA-90031-A01 . . . . .	E-9-26	HZV5-24841-000. . . . .	F-15-14
HCO-94540-03029 . . . . .	F-15-79	HPD6-90430-003 . . . . .	E-18-20-50	HRTA-15400-004. . . . .	E-3-5	HZV5-24845-000. . . . .	F-15-15
HCO-94540-04029 . . . . .	F-2-44	HPE0-15231-000 . . . . .	E-5-4	HS04-38235-003 . . . . .	F-13-4	HZV5-24850-000. . . . .	F-15-16
HCO-94540-04029 . . . . .	F-3-43	HPFA-91324-004. . . . .	E-3-33	HS0A-91540-003. . . . .	E-19-6	HZV5-24854-000. . . . .	F-15-17
HCO-94540-04029 . . . . .	F-15-80	HPG6-15232-000 . . . . .	E-5-5	HS0A-91541-003. . . . .	E-2-38	HZV5-24855-000. . . . .	F-15-18
HCO-94540-04029 . . . . .	FOP-10-1-102	HPG7-16741-005 . . . . .	E-18-20-36	HS0A-91541-003. . . . .	F-7-8	HZV5-24860-000. . . . .	F-15-19
HCO-94540-06029 . . . . .	F-2-45	HPGK-37835-A01 . . . . .	E-15-12	HS0A-90683-003. . . . .	F-7-10-33	HZV5-24865-000. . . . .	F-15-20
HCO-94540-06029 . . . . .	FOP-4-36	HPH1-90015-013 . . . . .	E-3-19	HSB0-90602-003. . . . .	F-8-35	HZV5-24875-000. . . . .	F-15-21
HCO-94540-06029 . . . . .							

HZV5-24878-000. . . . .	F-15-23	HZV5-91352-000. . . . .	FOP-10-91	HZW1-53238-700 . . . . .	FOP-10-163	HZW1-91302-000 . . . . .	E-5-14
HZV5-24881-000. . . . .	F-15-24	HZV5-91352-000. . . . .	FOP-10-196	HZW1-53239-701 . . . . .	FOP-10-57	HZW1-91351-B02 . . . . .	F-5-24
HZV5-24883-000. . . . .	F-15-25	HZV5-91553-010. . . . .	E-15-24	HZW1-53239-701 . . . . .	FOP-10-164	HZW1-91352-702 . . . . .	F-11-37
HZV5-24884-000. . . . .	F-15-26	HZV5-91553-010. . . . .	F-3-41	HZW1-56110-701 . . . . .	F-11-13	HZW1-91353-703 . . . . .	F-11-38
HZV5-24885-000. . . . .	F-15-27	HZV5-91553-010. . . . .	F-7-23	HZW1-56113-701 . . . . .	F-11-14	HZW1-91354-701 . . . . .	F-11-39
HZV5-24887-000. . . . .	F-15-28	HZV5-91553-010. . . . .	F-7-10-20	HZW1-56116-701 . . . . .	F-11-16	HZW1-91355-701 . . . . .	F-11-40
HZV5-24891-000. . . . .	F-15-29	HZV5-91553-010. . . . .	F-7-20-35	HZW1-56130-702 . . . . .	F-11-20	HZW1-91356-B00 . . . . .	F-4-34
HZV5-24892-000. . . . .	F-15-30	HZV5-91553-010. . . . .	F-7-30-3	HZW1-56180-701 . . . . .	F-11-22	HZW1-91356-B00 . . . . .	FOP-3-13
HZV5-24894-000. . . . .	F-15-31	HZV5-91553-010. . . . .	F-8-40	HZW1-56516-000 . . . . .	F-10-25	HZW1-91357-701 . . . . .	F-11-41
HZV5-24895-000. . . . .	F-15-32	HZV5-91560-000. . . . .	F-10-60	HZW1-56532-000 . . . . .	F-11-24	HZW1-91358-701 . . . . .	F-11-42
HZV5-24897-000. . . . .	F-15-33	HZV5-91567-000. . . . .	F-15-68	HZW1-56532-000 . . . . .	F-11-24	HZW1-91358-701 . . . . .	F-11-42
HZV5-24898-000. . . . .	F-15-34	HZV5-91570-000. . . . .	F-15-69	HZW1-56539-000 . . . . .	F-10-26	HZW1-91361-701 . . . . .	F-11-43
HZV5-32823-003. . . . .	F-15-36	HZV7-90951-010. . . . .	F-10-56	HZW1-56539-000 . . . . .	F-10-26	HZW1-91553-003 . . . . .	F-15-147
HZV5-32823-003. . . . .	F-15-2-31	HZW1-06411-020 . . . . .	F-10-1	HZW1-56851-703 . . . . .	F-11-25	HZW1-91554-000 . . . . .	E-14-22
HZV5-32823-003. . . . .	FOP-6-10	HZW1-12217-010 . . . . .	E-2-7	HZW1-56860-701 . . . . .	F-11-26	HZW1-91554-000 . . . . .	E-18-20-53
HZV5-32823-003. . . . .	FOP-6-1-5	HZW1-15236-010 . . . . .	E-5-7	HZW1-58130-V03 . . . . .	FOP-8-1	HZW1-91557-701 . . . . .	F-11-44
HZV5-32823-003. . . . .	FOP-10-16	HZW1-15331-000 . . . . .	E-5-8	HZW1-58130-V13 . . . . .	FOP-8-1	HZW2-90003-000 . . . . .	E-15-15
HZV5-32823-003. . . . .	FOP-11-3	HZW1-15341-000 . . . . .	E-5-9	HZW1-58130-W03ZA . . . . .	FOP-8-1	HZW2-90003-000 . . . . .	E-20-10-10
HZV5-32824-003. . . . .	F-15-37	HZW1-17736-000 . . . . .	F-15-1	HZW1-58130-W13ZA . . . . .	FOP-8-1	HZW2-90003-000 . . . . .	F-7-17
HZV5-32824-003. . . . .	F-15-2-32	HZW1-17736-000 . . . . .	F-15-2-76	HZW1-58130-W24ZA . . . . .	FOP-8-1	HZW2-90003-000 . . . . .	F-7-10-42
HZV5-32824-003. . . . .	FOP-6-11	HZW1-19234-B00 . . . . .	F-4-5	HZW1-58130-W33ZA . . . . .	FOP-8-1	HZW2-90003-000 . . . . .	F-8-24
HZV5-32824-003. . . . .	FOP-6-1-6	HZW1-19234-B00 . . . . .	FOP-3-7	HZW1-58130-W43ZB . . . . .	FOP-8-1	HZW2-90301-F00 . . . . .	E-14-18
HZV5-32824-003. . . . .	FOP-10-96	HZW1-19242-B00 . . . . .	F-4-7	HZW1-58130-W64ZA . . . . .	FOP-8-1	HZW4-17931-H02 . . . . .	FOP-10-4
HZV5-32824-003. . . . .	FOP-11-4	HZW1-19242-B00 . . . . .	FOP-3-8	HZW1-58130-W93 . . . . .	FOP-8-1	HZW4-19312-H00 . . . . .	F-3-30-10
HZV5-35370-823. . . . .	F-15-40	HZW1-19252-000 . . . . .	E-6-5	HZW1-87538-740 . . . . .	F-12-15	HZW4-24614-H03 . . . . .	FOP-10-6
HZV5-36136-821. . . . .	F-11-8	HZW1-19253-B01 . . . . .	F-4-9	HZW1-87705-003 . . . . .	F-15-1-31	HZW4-24615-H03 . . . . .	FOP-10-7
HZV5-36180-033. . . . .	F-15-42	HZW1-19253-B01 . . . . .	FOP-3-9	HZW1-87706-003 . . . . .	F-15-1-32	HZW4-32533-H01 . . . . .	FOP-10-8
HZV5-36180-033. . . . .	F-15-2-38	HZW1-19286-B00 . . . . .	F-3-10-1	HZW1-87707-003 . . . . .	F-15-1-32	HZW4-32543-H01 . . . . .	FOP-10-11
HZV5-36180-033. . . . .	FOP-6-14	HZW1-24102-B00 . . . . .	F-5-2	HZW1-90002-010 . . . . .	E-7-13	HZW4-32543-H01 . . . . .	FOP-10-1-8
HZV5-36180-033. . . . .	FOP-6-1-8	HZW1-24103-B00 . . . . .	F-5-3	HZW1-90014-000 . . . . .	E-14-13	HZW4-32544-H01 . . . . .	FOP-10-12
HZV5-36180-033. . . . .	FOP-10-21	HZW1-24210-010 . . . . .	F-2-9	HZW1-90014-000 . . . . .	E-18-20-47	HZW4-32547-H01 . . . . .	FOP-10-13
HZV5-38410-003. . . . .	F-15-47	HZW1-24320-B00 . . . . .	F-4-12	HZW1-90102-000 . . . . .	F-10-28	HZW4-32548-H01 . . . . .	FOP-10-14
HZV5-38410-003. . . . .	F-15-2-42	HZW1-24327-000 . . . . .	F-4-13	HZW1-90104-900 . . . . .	F-3-10-14	HZW4-32549-H01 . . . . .	FOP-10-15
HZV5-38410-003. . . . .	FOP-6-20	HZW1-24629-000 . . . . .	F-2-17	HZW1-90105-000 . . . . .	F-10-30	HZW4-35640-H11 . . . . .	FOP-10-18
HZV5-38410-003. . . . .	FOP-6-1-13	HZW1-24800-V21 . . . . .	F-15-1-1	HZW1-90107-004 . . . . .	E-21-21	HZW4-35643-H02 . . . . .	FOP-10-19
HZV5-40102-000. . . . .	E-9-10-6	HZW1-24811-V21 . . . . .	F-15-1-2	HZW1-90108-000 . . . . .	F-10-32	HZW4-35645-H02 . . . . .	FOP-10-20
HZV5-40102-000. . . . .	F-3-6	HZW1-24812-V21 . . . . .	F-15-1-3	HZW1-90113-702 . . . . .	F-11-27	HZW4-53104-H02 . . . . .	FOP-10-32
HZV5-40102-000. . . . .	F-7-30-2	HZW1-24813-V21 . . . . .	F-15-1-4	HZW1-90114-702 . . . . .	F-11-28	HZW4-53106-H01 . . . . .	FOP-10-34
HZV5-40102-000. . . . .	F-8-8	HZW1-24816-V21 . . . . .	F-15-1-5	HZW1-90115-702 . . . . .	F-11-29	HZW4-53107-H02 . . . . .	FOP-10-35
HZV5-41172-000. . . . .	F-3-13	HZW1-24819-V21 . . . . .	F-15-1-6	HZW1-90116-702 . . . . .	F-11-30	HZW4-53109-H02 . . . . .	FOP-10-37
HZV5-41172-000. . . . .	F-3-45	HZW1-24820-V21 . . . . .	F-15-1-7	HZW1-90124-910 . . . . .	F-3-10-18	HZW4-53112-H02 . . . . .	FOP-10-38
HZV5-50214-003. . . . .	F-11-10	HZW1-24821-003 . . . . .	F-15-1-8	HZW1-90125-910 . . . . .	F-3-10-19	HZW4-53113-H01 . . . . .	FOP-10-39
HZV5-50522-000. . . . .	F-10-20	HZW1-24822-V21 . . . . .	F-15-1-9	HZW1-90136-003 . . . . .	F-15-1-33	HZW4-53113-H01 . . . . .	FOP-10-32
HZV5-56117-821. . . . .	F-11-17	HZW1-24825-V01 . . . . .	F-15-1-10	HZW1-90137-003 . . . . .	F-15-1-34	HZW4-53114-H01 . . . . .	FOP-10-40
HZV5-56118-820. . . . .	F-11-18	HZW1-24829-003 . . . . .	F-15-1-11	HZW1-90138-003 . . . . .	F-15-1-35	HZW4-53115-H02 . . . . .	FOP-10-38
HZV5-56513-000. . . . .	F-11-23	HZW1-24830-V21 . . . . .	F-15-1-12	HZW1-90139-003 . . . . .	F-15-1-36	HZW4-53115-H02 . . . . .	FOP-10-35
HZV5-90010-000. . . . .	F-4-19	HZW1-24834-003 . . . . .	F-15-1-13	HZW1-90140-003 . . . . .	F-15-1-37	HZW4-53116-H01 . . . . .	FOP-10-41
HZV5-90010-000. . . . .	FOP-3-10	HZW1-24836-V21 . . . . .	F-15-1-14	HZW1-90142-003 . . . . .	F-15-1-38	HZW4-53116-H01 . . . . .	FOP-10-37
HZV5-90115-000. . . . .	F-3-10-15	HZW1-24839-V01 . . . . .	F-15-1-15	HZW1-90143-003 . . . . .	F-15-1-39	HZW4-53116-H11 . . . . .	FOP-10-42
HZV5-90119-000. . . . .	F-3-32	HZW1-24841-V01 . . . . .	F-15-1-16	HZW1-90145-003 . . . . .	F-15-1-40	HZW4-53116-H11 . . . . .	FOP-10-38
HZV5-90119-000. . . . .	F-3-33	HZW1-24843-V01 . . . . .	F-15-1-17	HZW1-90203-000 . . . . .	F-7-22	HZW4-53117-H01 . . . . .	FOP-10-43
HZV5-90119-000. . . . .	F-11-31	HZW1-24845-V01 . . . . .	F-15-1-18	HZW1-90203-000 . . . . .	F-7-10-30	HZW4-53118-H03 . . . . .	FOP-10-44
HZV5-90125-000. . . . .	F-15-53	HZW1-24847-V01 . . . . .	F-15-1-19	HZW1-90242-000 . . . . .	F-4-21	HZW4-53119-H02 . . . . .	FOP-10-45
HZV5-90127-003. . . . .	F-3-34	HZW1-24848-V01 . . . . .	F-15-1-20	HZW1-90301-B00 . . . . .	F-5-14	HZW4-53121-H02 . . . . .	FOP-10-46
HZV5-90127-003. . . . .	F-8-29	HZW1-24865-V01 . . . . .	F-15-1-21	HZW1-90303-B03 . . . . .	F-4-22	HZW4-53122-H01 . . . . .	FOP-10-47
HZV5-90131-000. . . . .	E-6-12	HZW1-24870-V21 . . . . .	F-15-1-22	HZW1-90304-013 . . . . .	F-10-41	HZW4-53123-H01 . . . . .	FOP-10-48
HZV5-90302-003. . . . .	F-2-28	HZW1-24873-V01 . . . . .	F-15-1-23	HZW1-90314-003 . . . . .	F-15-1-41	HZW4-53141-H00 . . . . .	FOP-10-51
HZV5-90304-013. . . . .	F-10-40	HZW1-24883-V01 . . . . .	F-15-1-24	HZW1-90401-000 . . . . .	FOP-10-75	HZW4-90101-H00 . . . . .	FOP-10-18
HZV5-90306-003. . . . .	F-3-10-24	HZW1-31217-004 . . . . .	E-21-5	HZW1-90401-000 . . . . .	FOP-10-181	HZW4-90101-H00 . . . . .	FOP-10-68
HZV5-90307-003. . . . .	F-10-44	HZW1-31250-004 . . . . .	E-21-7	HZW1-90501-710 . . . . .	F-3-10-25	HZW4-90102-H01 . . . . .	FOP-10-63
HZV5-90501-000. . . . .	F-10-45	HZW1-31261-004 . . . . .	E-21-18	HZW1-90506-B00 . . . . .	F-5-15	HZW4-90103-H02 . . . . .	FOP-10-65
HZV5-90502-000. . . . .	F-10-46	HZW1-35180-003 . . . . .	F-15-1-28	HZW1-90506-B00 . . . . .	F-5-15	HZW4-90104-H01 . . . . .	FOP-10-67
HZV5-90504-000. . . . .	F-10-47	HZW1-35182-003 . . . . .	F-15-1-29	HZW1-90508-B00 . . . . .	F-5-16	HZW4-90104-H01 . . . . .	FOP-10-71
HZV5-90552-000. . . . .	F-10-50	HZW1-35370-V01 . . . . .	F-15-1-30	HZW1-90518-B00 . . . . .	F-4-26	HZW4-90105-H02 . . . . .	FOP-10-68
HZV5-90552-000. . . . .	FOP-10-82	HZW1-36122-013 . . . . .	F-11-5	HZW1-90519-B00 . . . . .	F-4-26	HZW4-90106-H01 . . . . .	FOP-10-69
HZV5-90552-000. . . . .	FOP-10-1-89	HZW1-36122-013 . . . . .	F-11-5	HZW1-90520-B00 . . . . .	F-4-26	HZW4-90108-000 . . . . .	F-15-52
HZV5-90557-000. . . . .	F-15-62	HZW1-36123-013 . . . . .	F-11-6	HZW1-90521-B00 . . . . .	F-4-26	HZW4-90126-000 . . . . .	E-14-16
HZV5-90559-000. . . . .	F-10-51	HZW1-38551-000 . . . . .	F-7-16	HZW1-90528-B00 . . . . .	F-5-17	HZW4-90145-000 . . . . .	E-9-10-11
HZV5-90559-000. . . . .	F-10-52	HZW1-40107-700 . . . . .	F-3-8	HZW1-90529-B00 . . . . .	F-5-17	HZW4-90147-000 . . . . .	E-2-34
HZV5-90559-000. . . . .	FOP-10-83	HZW1-40204-000 . . . . .	F-4-15	HZW1-90530-B00 . . . . .	F-5-17	HZW4-90151-000 . . . . .	F-10-35
HZV5-90559-000. . . . .	FOP-10-90	HZW1-40210-710 . . . . .	F-3-10-3	HZW1-90531-B00 . . . . .	F-5-17	HZW4-90155-000 . . . . .	E-5-12
HZV5-90563-000. . . . .	F-3-10-27	HZW1-41102-B00 . . . . .	F-3-10-5	HZW1-90551-003 . . . . .	F-15-1-42	HZW4-90159-000 . . . . .	E-21-22
HZV5-90563-000. . . . .	F-3-10-27	HZW1-41109-B00 . . . . .	F-3-10-11	HZW1-90552-003 . . . . .	F-15-1-43	HZW4-90168-000 . . . . .	F-8-31
HZV5-90563-000. . . . .	F-10-53	HZW1-41112-B03 . . . . .	F-4-16	HZW1-90559-000 . . . . .	F-3-36	HZW4-90169-000 . . . . .	E-15-19
HZV5-90751-000. . . . .	F-15-63	HZW1-41112-B33 . . . . .	F-4-16	HZW1-90651-710 . . . . .	F-3-10-28	HZW4-90301-H01 . . . . .	FOP-10-71
HZV5-90756-000. . . . .	E-6-14	HZW1-41116-B00 . . . . .	F-4-17	HZW1-90652-702 . . . . .	F-11-32	HZW4-90303-H00 . . . . .	FOP-10-73
HZV5-90756-000. . . . .	F-3-40	HZW1-41131-B01 . . . . .	F-4-18	HZW1-90653-003 . . . . .	F-15-1-44	HZW4-90303-H00 . . . . .	FOP-10-78
HZV5-90756-000. . . . .	F-3-10-29	HZW1-41201-B02ZD . . . . .	F-5-12	HZW1-90752-B02 . . . . .	F-4-27	HZW4-90306-003 . . . . .	F-10-43
HZV5-90756-000. . . . .	F-3-10-29	HZW1-50161-020ZC . . . . .	F-3-19	HZW1-90752-B02 . . . . .	FOP-3-12	HZW4-90306-003 . . . . .	F-10-63
HZV5-90756-000. . . . .	F-4-28	HZW1-50214-000 . . . . .	F-10-14	HZW1-90753-003 . . . . .	F-15-1-45	HZW4-90401-000 . . . . .	F-15-56
HZV5-90772-000. . . . .	F-15-64	HZW1-50527-000 . . . . .	F-10-21	HZW1-90758-B00 . . . . .	F-5-18	HZW4-90402-000 . . . . .	F-15-57
HZV5-91151-000. . . . .	F-15-66	HZW1-50529-000 . . . . .	F-10-22	HZW1-90953-003 . . . . .	F-15-1-46	HZW4-90501-H01 . . . . .	FOP-10-76
HZV5-91203-821. . . . .	F-11-33	HZW1-53234-010 . . . . .	F-10-23	HZW1-91051-B02 . . . . .	F-5-20	HZW4-90502-H02 . . . . .	FOP-10-77
HZV5-91256-003. . . . .	F-10-57	HZW1-53236-700 . . . . .	FOP-10-55	HZW1-91052-B02 . . . . .	F-4-29	HZW4-90502-H02 . . . . .	FOP-10-83
HZV5-91302-821. . . . .	F-11-35	HZW1-53236-700 . . . . .	FOP-10-162	HZW1-91054-B31 . . . . .	F-4-30	HZW4-90503-H01 . . . . .	FOP-10-78
HZV5-91316-821. . . . .	F-11-36	HZW1-53238-010 . . . . .	F-10-24	HZW1-91101-003 . . . . .	F-5-22	HZW4-90504-H01 . . . . .	FOP-10-79
HZV5-91352-000. . . . .	F-10-58	HZW1-53238-700 . . . . .	FOP-10-56	HZW1-91207-013 . . . . .	F-11-34	HZW4-90504-H01 . . . . .	FOP-10-86

HZW4-90651-000	...	F-10-54	HZW5-90501-U00	...	FOP-4-30	HZW9-90103-010	...	F-3-28	HZY3-90508-000	...	F-2-31
HZW4-90651-H01	...	FOP-10-84	HZW5-90501-U00	...	FOP-4-2-35	HZW9-90105-000	...	F-3-30-17	HZY3-90508-000	...	F-8-34
HZW4-90652-H01	...	FOP-10-85	HZW5-90501-U00	...	FOP-4-4-26	HZW9-90105-000	...	F-10-31	HZY3-90601-030	...	F-3-30-18
HZW4-91051-H02	...	FOP-10-88	HZW5-90502-U00	...	FOP-4-32	HZW9-90154-000	...	F-10-36	HZY3-90751-000	...	F-2-37
HZW4-91051-H02	...	FOP-10-193	HZW5-90502-U00	...	FOP-4-2-37	HZW9-91303-000	...	E-18-23	HZY3-91254-003	...	F-4-32
HZW4-91052-H01	...	FOP-10-89	HZW5-90503-U00	...	FOP-4-33	HZX1-87132-R00	...	F-12-6	HZY3-91303-000	...	E-21-23
HZW4-91052-H01	...	FOP-10-194	HZW5-90503-U00	...	FOP-4-2-38	HZX1-87133-R00	...	F-12-17	HZY3-91556-000	...	F-3-10-31
HZW4-91301-003	...	F-3-10-30	HZW5-90511-U00	...	FOP-9-3	HZX2-30280-003	...	F-11-1	HZY6-16016-003	...	E-15-2
HZW4-91552-H00	...	FOP-10-93	HZW5-90512-U00	...	FOP-9-4	HZX2-30280-003	...	F-11-1	HZY6-16036-003	...	E-18-20-8
HZW4-91552-H00	...	FOP-10-198	HZW5-90601-030	...	E-18-20-51	HZX2-30280-003	...	F-11-1	HZY6-16718-013	...	E-18-20-28
HZW5-06241-U00	...	FOP-4-2	HZW5-90606-030	...	E-1-5	HZX2-31106-003	...	F-11-2	HZY6-16723-003	...	E-18-20-30
HZW5-06241-U10	...	FOP-4-2-2	HZW5-91054-003	...	F-5-21	HZX2-31106-003	...	F-11-2	HZY6-17109-000	...	E-14-8
HZW5-06900-U00	...	FOP-9-1	HZW5-91202-003	...	F-3-30-20	HZX2-31106-003	...	F-11-2	HZY6-17845-000	...	F-2-3
HZW5-16081-010	...	E-18-20-17	HZW6-87124-U80	...	FOP-10-58	HZX2-36122-003	...	F-11-5	HZY6-17931-000	...	F-2-7
HZW5-16735-003	...	E-18-20-34	HZW6-87124-U80	...	FOP-10-1-65	HZX2-36122-003	...	F-11-5	HZY6-19269-000	...	E-18-16
HZW5-24810-U01	...	FOP-4-3	HZW6-90752-000	...	F-10-62	HZX2-36122-003	...	F-11-5	HZY6-19289-000	...	F-8-5
HZW5-24810-U01	...	FOP-4-2-3	HZW7-24810-U01	...	FOP-4-4-2	HZX2-91358-003	...	F-11-42	HZY6-19290-003	...	F-3-30-6
HZW5-24810-U11	...	FOP-4-2-4	HZW7-24811-U01	...	FOP-4-4-3	HZX2-91358-003	...	F-11-42	HZY6-19300-003	...	E-2-15
HZW5-24811-U01	...	FOP-4-4	HZW7-24812-U01	...	FOP-4-4-4	HZX2-91358-003	...	F-11-42	HZY6-31235-003	...	E-21-10
HZW5-24811-U01	...	FOP-4-2-5	HZW7-24813-U01	...	FOP-4-4-5	HZY1-90205-000	...	F-3-10-21	HZY6-31236-003	...	E-21-11
HZW5-24812-U01	...	FOP-4-5	HZW7-24814-U01	...	FOP-4-4-6	HZY1-90650-003	...	FOP-11-5	HZY6-36104-003	...	F-3-5
HZW5-24812-U01	...	FOP-4-2-6	HZW7-24815-U01	...	FOP-4-4-7	HZY3-16011-A01	...	E-18-20-1	HZY6-36135-003	...	E-18-17
HZW5-24813-U01	...	FOP-4-6	HZW7-24817-U01	...	FOP-4-4-9	HZY3-16024-000	...	E-18-20-6	HZY6-36551-003	...	E-14-11
HZW5-24813-U01	...	FOP-4-2-7	HZW7-24832-U01	...	FOP-4-4-14	HZY3-16026-000	...	E-18-20-7	HZY6-40219-023	...	F-3-12
HZW5-24813-U21	...	FOP-4-2-8	HZW7-24833-U01	...	FOP-4-4-15	HZY3-16072-000	...	E-18-20-12	HZY6-50209-000	...	F-3-20
HZW5-24814-U01	...	FOP-4-7	HZW7-32530-U00	...	FOP-4-19	HZY3-16073-000	...	E-18-20-14	HZY6-56118-000	...	F-3-21
HZW5-24814-U01	...	FOP-4-2-9	HZW7-32530-U00	...	FOP-4-2-20	HZY3-16077-000	...	E-18-20-16	HZY6-90002-000	...	F-3-26
HZW5-24815-U01	...	FOP-4-8	HZW7-32530-U10	...	FOP-4-2-21	HZY3-16082-000	...	E-18-20-19	HZY6-90006-000	...	E-15-16
HZW5-24816-U01	...	FOP-4-9	HZW7-32530-U20	...	FOP-4-4-16	HZY3-16083-000	...	E-18-20-21	HZY6-90013-000	...	E-21-19
HZW5-24816-U01	...	FOP-4-2-10	HZW7-35370-U02	...	FOP-4-4-17	HZY3-16087-000	...	E-18-20-22	HZY6-90023-000	...	E-9-10-9
HZW5-24816-U01	...	FOP-4-4-8	HZW7-58130-U02	...	FOP-8-1	HZY3-16193-A00	...	E-18-20-24	HZY6-90047-000	...	E-2-33
HZW5-24817-U01	...	FOP-4-10	HZW7-58130-U12	...	FOP-8-1	HZY3-16752-000	...	E-18-20-37	HZY6-90105-000	...	F-3-30
HZW5-24817-U01	...	FOP-4-2-11	HZW7-58130-U22	...	FOP-8-1	HZY3-16752-A00	...	E-14-6	HZY6-90123-000	...	F-3-10-17
HZW5-24818-U01	...	FOP-4-11	HZW7-58130-U32	...	FOP-8-1	HZY3-16807-003	...	E-18-10-4	HZY6-90123-000	...	F-5-13
HZW5-24818-U01	...	FOP-4-2-12	HZW7-87703-U00	...	FOP-4-4-19	HZY3-16904-003	...	E-18-10-8	HZY6-90301-000	...	F-8-32
HZW5-24819-U01	...	FOP-4-12	HZW7-90101-U01	...	FOP-4-4-21	HZY3-16911-010	...	E-18-20-40	HZY6-90651-000	...	F-8-36
HZW5-24819-U01	...	FOP-4-2-13	HZW7-90102-U01	...	FOP-4-4-22	HZY3-16915-010	...	E-18-10-10	HZY6-90752-000	...	F-2-38
HZW5-24825-U01	...	FOP-4-14	HZW7-90103-U01	...	FOP-4-4-23	HZY3-16918-003	...	E-18-10-11	HZY6-90753-000	...	F-2-39
HZW5-24825-U01	...	FOP-4-2-15	HZW7-90104-U01	...	FOP-4-4-24	HZY3-16919-003	...	E-18-10-12	HZY6-91305-003	...	E-3-30
HZW5-24826-U01	...	FOP-4-15	HZW7-90301-U01	...	FOP-4-4-25	HZY3-19270-000	...	F-8-2	HZY6-91552-000	...	F-4-36
HZW5-24826-U01	...	FOP-4-2-16	HZW7-90502-U00	...	FOP-4-4-27	HZY3-19271-000	...	F-8-3	HZY6-91552-000	...	FOP-3-14
HZW5-24826-U01	...	FOP-4-4-10	HZW9-17917-000	...	FOP-10-3	HZY3-19272-000	...	F-8-4	HZY6-91553-000	...	F-8-41
HZW5-24831-U01	...	FOP-4-16	HZW9-19279-010	...	F-3-30-5	HZY3-24318-000	...	F-4-11	HZY9-06167-000	...	E-18-1
HZW5-24831-U01	...	FOP-4-2-17	HZW9-19291-000	...	F-3-30-7	HZY3-24618-000	...	F-2-13	HZY9-06192-H00	...	FOP-3-1
HZW5-24831-U01	...	FOP-4-4-12	HZW9-19297-000	...	F-3-30-9	HZY3-24619-000	...	F-2-15	HZY9-06193-H00	...	FOP-3-2
HZW5-24832-U01	...	FOP-4-17	HZW9-19300-003	...	E-3-9	HZY3-30280-003	...	F-11-1	HZY9-06193-H01	...	FOP-3-2
HZW5-24832-U01	...	FOP-4-2-18	HZW9-19303-003	...	E-2-42	HZY3-30280-003	...	F-11-1	HZY9-06411-010	...	F-3-1
HZW5-24832-U01	...	FOP-4-4-13	HZW9-19303-003	...	E-3-36	HZY3-31106-003	...	F-11-2	HZY9-06534-000	...	F-10-2
HZW5-24834-U01	...	FOP-4-18	HZW9-19315-000	...	E-2-16	HZY3-31106-003	...	F-11-2	HZY9-11320-010ZA	...	E-6-1
HZW5-24834-U21	...	FOP-4-2-19	HZW9-19315-000	...	E-3-37	HZY3-32128-000	...	E-15-10	HZY9-11381-003	...	E-6-2
HZW5-32167-650	...	F-15-1-27	HZW9-19317-000	...	E-2-17	HZY3-32411-003	...	F-7-10-5	HZY9-11411-405ZA	...	E-9-10-1
HZW5-32168-003	...	E-18-20-45	HZW9-19317-000	...	E-3-11	HZY3-35673-003	...	E-2-24	HZY9-11411-405ZA	...	E-9-10-1
HZW5-35370-U02	...	FOP-4-20	HZW9-19317-000	...	F-3-30-11	HZY3-35673-003	...	E-3-16	HZY9-11411-415ZA	...	E-9-10-1
HZW5-35370-U02	...	FOP-4-2-22	HZW9-28462-003	...	F-13-2	HZY3-38216-003	...	F-7-10-10	HZY9-11411-415ZA	...	E-9-10-1
HZW5-35370-U12	...	FOP-4-2-23	HZW9-53103-000	...	FOP-10-30	HZY3-40119-003	...	F-3-9	HZY9-11411-415ZA	...	E-9-10-1
HZW5-50341-010	...	F-10-17	HZW9-53130-000	...	FOP-10-49	HZY3-40219-013	...	F-11-9	HZY9-11911-000	...	E-3-3
HZW5-90018-000	...	E-2-30	HZW9-53130-000	...	FOP-10-1-52	HZY3-63205-000	...	F-2-22	HZY9-12000-406ZA	...	E-3-4
HZW5-90018-000	...	F-7-10-24	HZW9-53133-000	...	FOP-10-50	HZY3-90016-000	...	E-9-10-12	HZY9-12000-407ZA	...	E-3-4
HZW5-90021-U00	...	FOP-9-2	HZW9-53133-000	...	FOP-10-1-56	HZY3-90017-000	...	E-2-29	HZY9-12210-H00ZA	...	E-2-5
HZW5-90023-000	...	F-2-26	HZW9-53165-000	...	FOP-10-52	HZY3-90017-000	...	E-9-10-8	HZY9-12210-M00ZA	...	E-2-5
HZW5-90101-U00	...	FOP-4-22	HZW9-87511-000	...	FOP-10-60	HZY3-90017-000	...	F-2-25	HZY9-12217-000	...	E-2-7
HZW5-90101-U00	...	FOP-4-2-25	HZW9-87511-000	...	FOP-10-1-67	HZY3-90021-000	...	E-18-20-49	HZY9-12251-013	...	E-2-8
HZW5-90101-U00	...	FOP-4-4-20	HZW9-87532-640	...	FOP-10-1-61	HZY3-90021-000	...	F-7-10-25	HZY9-12310-010	...	E-1-1
HZW5-90102-U00	...	FOP-4-23	HZW9-87532-640	...	FOP-10-1-104	HZY3-90026-000	...	E-3-21	HZY9-12312-000	...	E-1-2
HZW5-90102-U00	...	FOP-4-2-26	HZW9-87702-800	...	F-15-49	HZY3-90030-000	...	E-1-4	HZY9-13010-H00	...	E-7-1
HZW5-90103-U01	...	FOP-4-24	HZW9-90003-000	...	E-18-19	HZY3-90030-000	...	E-2-32	HZY9-13011-010	...	E-7-1
HZW5-90103-U01	...	FOP-4-2-27	HZW9-90008-000	...	F-15-50	HZY3-90030-000	...	E-3-22	HZY9-13101-H00	...	E-7-2
HZW5-90104-U00	...	FOP-4-25	HZW9-90009-000	...	F-10-27	HZY3-90030-000	...	E-9-10-10	HZY9-13210-010	...	E-7-5
HZW5-90104-U00	...	FOP-4-2-28	HZW9-90011-000	...	E-9-10-7	HZY3-90030-000	...	F-3-30-14	HZY9-13310-010	...	E-7-7
HZW5-90105-003	...	F-7-19	HZW9-90011-000	...	E-18-20	HZY3-90031-000	...	E-3-23	HZY9-13331-003	...	E-7-9
HZW5-90105-U01	...	FOP-4-26	HZW9-90011-000	...	E-18-10-17	HZY3-90042-000	...	E-14-14	HZY9-13621-H01	...	E-7-11
HZW5-90105-U01	...	FOP-4-2-29	HZW9-90011-000	...	F-2-23	HZY3-90043-000	...	F-3-30-15	HZY9-14110-000	...	E-9-1
HZW5-90106-000	...	F-7-20	HZW9-90011-000	...	F-7-4	HZY3-90046-000	...	E-6-8	HZY9-14222-000	...	E-9-4
HZW5-90106-U00	...	FOP-4-27	HZW9-90011-000	...	F-7-18	HZY3-90054-000	...	E-3-24	HZY9-14430-000	...	E-9-7
HZW5-90106-U00	...	FOP-4-2-30	HZW9-90011-000	...	F-7-10-21	HZY3-90054-000	...	E-14-15	HZY9-14441-000	...	E-9-8
HZW5-90107-U00	...	FOP-4-28	HZW9-90013-000	...	F-7-5	HZY3-90056-000	...	F-2-27	HZY9-14442-000	...	E-9-9
HZW5-90107-U00	...	FOP-4-2-31	HZW9-90013-000	...	F-7-10-22	HZY3-90056-000	...	F-3-30-16	HZY9-14510-003	...	E-9-10
HZW5-90108-U00	...	FOP-4-2-32	HZW9-90014-000	...	F-7-6	HZY3-90103-000	...	FOP-10-66	HZY9-14512-000	...	E-9-11
HZW5-90109-000	...	FOP-6-22	HZW9-90016-000	...	E-3-20	HZY3-90103-000	...	FOP-10-69	HZY9-14751-H01	...	E-9-19
HZW5-90109-000	...	FOP-6-1-15	HZW9-90016-000	...	E-18-21	HZY3-90107-000	...	F-7-10-28	HZY9-14752-003	...	E-9-20
HZW5-90301-U00	...	FOP-4-29	HZW9-90016-000	...	E-18-20-48	HZY3-90111-000	...	F-8-27	HZY9-15100-000	...	E-5-1
HZW5-90301-U00	...	FOP-4-2-33	HZW9-90016-000	...	E-20-2	HZY3-90120-000	...	F-3-10-16	HZY9-15100-M00	...	E-5-1
HZW5-90302-003	...	F-3-35	HZW9-90019-000	...	E-2-31	HZY3-90132-000	...	F-8-30	HZY9-15121-000	...	E-5-2
HZW5-90302-003	...	F-10-39	HZW9-90101-003	...	F-3-10-12	HZY3-90133-000	...	F-3-10-20	HZY9-15136-000	...	E-5-3
HZW5-90302-U21	...	FOP-4-2-34	HZW9-90102-000	...	E-6-9	HZY3-90205-000	...	E-14-17	HZY9-15171-000	...	E-15-1
HZW5-90304-000	...	F-10-42	HZW9-90102-000	...	F-4-20	HZY3-90405-000	...	F-7-10-32	HZY9-15220-000	...	E-6-3
HZW5-90501-000	...	F-2-30	HZW9-90102-000	...	FOP-10-64	HZY3-90508-000	...	E-15-20	HZY9-15236-M00	...	E-5-7

HZY9-15422-010. . . . . E-1-3  
 HZY9-15600-000. . . . . E-3-6  
 HZY9-15600-M00. . . . . E-3-6  
 HZY9-15612-000. . . . . E-3-7  
 HZY9-15631-000. . . . . E-3-8  
 HZY9-15655-000. . . . . E-6-4  
 HZY9-15655-M00. . . . . E-6-4  
 HZY9-15665-000. . . . . F-3-30-1  
 HZY9-15815-000. . . . . E-2-12  
 HZY9-16013-000. . . . . E-18-20-2  
 HZY9-16017-040. . . . . E-18-20-3  
 HZY9-16017-M00. . . . . E-18-20-3  
 HZY9-16019-003. . . . . E-18-20-4  
 HZY9-16020-013. . . . . E-18-20-5  
 HZY9-16042-013. . . . . E-18-20-9  
 HZY9-16061-003. . . . . E-18-20-10  
 HZY9-16071-003. . . . . E-18-20-11  
 HZY9-16072-003. . . . . E-18-20-13  
 HZY9-16073-003. . . . . E-18-20-15  
 HZY9-16081-003. . . . . E-18-20-18  
 HZY9-16082-003. . . . . E-18-20-20  
 HZY9-16195-000. . . . . E-18-2  
 HZY9-16196-000. . . . . E-18-3  
 HZY9-16197-000. . . . . E-18-4  
 HZY9-16198-000. . . . . E-18-5  
 HZY9-16199-000. . . . . E-18-6  
 HZY9-16400-H01. . . . . E-15-3  
 HZY9-16450-003. . . . . E-14-1  
 HZY9-16451-000. . . . . E-14-2  
 HZY9-16620-010. . . . . E-14-3  
 HZY9-16700-013. . . . . E-18-7  
 HZY9-16701-003. . . . . E-18-20-25  
 HZY9-16708-003. . . . . E-18-20-26  
 HZY9-16715-013. . . . . E-18-20-27  
 HZY9-16717-000. . . . . E-2-13  
 HZY9-16721-003. . . . . E-18-20-29  
 HZY9-16730-063. . . . . E-18-20-31  
 HZY9-16730-M01. . . . . E-18-20-31  
 HZY9-16733-000. . . . . E-14-5  
 HZY9-16733-000. . . . . E-18-20-32  
 HZY9-16734-010. . . . . E-18-20-33  
 HZY9-16740-003. . . . . E-18-20-35  
 HZY9-16755-003. . . . . E-18-8  
 HZY9-16756-000. . . . . E-18-9  
 HZY9-16800-003. . . . . E-18-10-2  
 HZY9-16805-003. . . . . E-18-10-3  
 HZY9-16816-000. . . . . E-18-10-3  
 HZY9-16850-E01. . . . . E-18-10-5  
 HZY9-16860-F00. . . . . E-18-10-6  
 HZY9-16871-F00. . . . . E-18-10-7  
 HZY9-16881-010. . . . . E-18-11  
 HZY9-16891-000. . . . . E-18-12  
 HZY9-16895-003. . . . . E-18-13  
 HZY9-16896-003. . . . . E-2-14  
 HZY9-16896-003. . . . . E-15-4  
 HZY9-16896-003. . . . . E-18-14  
 HZY9-16896-003. . . . . E-18-20-38  
 HZY9-16898-003. . . . . E-18-20-39  
 HZY9-16910-004. . . . . E-18-10-9  
 HZY9-16913-003. . . . . E-18-20-41  
 HZY9-17110-003. . . . . E-14-9  
 HZY9-17202-M00. . . . . F-3-30-2  
 HZY9-17315-000. . . . . E-15-6  
 HZY9-17315-M00. . . . . E-15-6  
 HZY9-17371-000. . . . . E-15-7  
 HZY9-17371-H00. . . . . E-15-7  
 HZY9-17374-000. . . . . E-15-8  
 HZY9-17723-F00. . . . . E-18-20-42  
 HZY9-17840-000. . . . . F-2-2  
 HZY9-17860-000. . . . . F-2-4  
 HZY9-17877-000. . . . . F-2-5  
 HZY9-17878-000. . . . . F-2-6  
 HZY9-17910-701. . . . . FOP-10-2  
 HZY9-17910-H01. . . . . FOP-10-1-2  
 HZY9-18211-000. . . . . F-8-1  
 HZY9-19210-H01. . . . . F-4-1  
 HZY9-19210-H01. . . . . FOP-3-3  
 HZY9-19221-H00. . . . . F-4-2  
 HZY9-19221-H00. . . . . FOP-3-4  
 HZY9-19221-H01. . . . . F-4-2  
 HZY9-19221-H01. . . . . FOP-3-4  
 HZY9-19223-H00. . . . . F-4-3  
 HZY9-19223-H00. . . . . FOP-3-5  
 HZY9-19231-H00. . . . . F-4-4  
 HZY9-19231-H00. . . . . FOP-3-6  
 HZY9-19231-H01. . . . . F-4-4  
 HZY9-19231-H01. . . . . FOP-3-6  
 HZY9-19251-000. . . . . F-4-8  
 HZY9-19251-610. . . . . F-4-8  
 HZY9-19254-000. . . . . E-6-6  
 HZY9-19255-000. . . . . E-18-20-43  
 HZY9-19256-000. . . . . F-3-30-3  
 HZY9-19277-000. . . . . F-3-30-4  
 HZY9-19277-M00. . . . . F-3-30-4  
 HZY9-19295-000. . . . . F-3-30-8  
 HZY9-19315-H00. . . . . E-3-10  
 HZY9-19330-M00. . . . . E-3-38  
 HZY9-19331-M00. . . . . E-3-39  
 HZY9-19361-010. . . . . E-2-18  
 HZY9-19361-M00. . . . . E-2-18  
 HZY9-19371-000. . . . . E-2-19  
 HZY9-19380-M00. . . . . E-2-43  
 HZY9-23170-010ZA. . . . . F-3-30-12  
 HZY9-23172-003. . . . . E-6-7  
 HZY9-24221-000. . . . . F-2-10  
 HZY9-24320-610. . . . . F-4-12  
 HZY9-24343-H00. . . . . F-4-14  
 HZY9-24590-701. . . . . FOP-10-5  
 HZY9-24590-H01. . . . . FOP-10-1-4  
 HZY9-24612-000. . . . . F-2-11  
 HZY9-24614-000. . . . . F-2-12  
 HZY9-24618-000. . . . . F-2-14  
 HZY9-24628-000. . . . . F-2-16  
 HZY9-24630-000. . . . . F-2-18  
 HZY9-30416-H00. . . . . F-7-20-1  
 HZY9-30419-003. . . . . E-15-9  
 HZY9-30419-003. . . . . F-7-20-2  
 HZY9-31110-000ZB. . . . . E-7-12  
 HZY9-31145-000. . . . . F-7-30-1  
 HZY9-31145-000. . . . . F-7-30-1  
 HZY9-31200-H01. . . . . E-21-1  
 HZY9-31207-H01. . . . . E-21-2  
 HZY9-31216-003. . . . . E-21-4  
 HZY9-31226-H01. . . . . E-21-20  
 HZY9-31227-H01. . . . . E-21-7  
 HZY9-31229-H01. . . . . E-21-8  
 HZY9-31231-H01. . . . . E-21-9  
 HZY9-31240-003. . . . . E-21-12  
 HZY9-31242-H01. . . . . E-21-13  
 HZY9-31246-H01. . . . . E-21-14  
 HZY9-31251-H01. . . . . E-21-24  
 HZY9-31630-H01. . . . . E-19-1  
 HZY9-31631-H01. . . . . E-19-2  
 HZY9-31632-003. . . . . E-19-3  
 HZY9-31750-003. . . . . E-2-20  
 HZY9-31754-000. . . . . E-2-21  
 HZY9-31916-H01. . . . . E-20-3  
 HZY9-32100-H00. . . . . F-7-1  
 HZY9-32100-M00. . . . . F-7-1  
 HZY9-32101-000. . . . . F-7-2  
 HZY9-32103-000. . . . . F-7-3  
 HZY9-32104-H00. . . . . F-7-11  
 HZY9-32111-000. . . . . E-9-10-2  
 HZY9-32112-000. . . . . E-18-10-15  
 HZY9-32113-000. . . . . E-9-10-3  
 HZY9-32114-000. . . . . E-2-22  
 HZY9-32115-000. . . . . E-9-10-4  
 HZY9-32166-013. . . . . E-18-20-44  
 HZY9-32410-000. . . . . F-7-10-4  
 HZY9-32418-000. . . . . F-7-10-6  
 HZY9-32534-A01. . . . . FOP-10-9  
 HZY9-32538-A01. . . . . FOP-10-10  
 HZY9-32538-H01. . . . . FOP-10-1-7  
 HZY9-34750-H01. . . . . E-20-10-9  
 HZY9-34750-M01. . . . . E-20-10-9  
 HZY9-34754-H00. . . . . E-20-10-4  
 HZY9-35470-023. . . . . F-2-19  
 HZY9-35475-010. . . . . F-2-20  
 HZY9-35640-003. . . . . F-8-6  
 HZY9-35645-000. . . . . F-8-7  
 HZY9-35655-H01. . . . . E-2-23  
 HZY9-35660-003. . . . . F-10-5  
 HZY9-35695-003. . . . . E-2-25  
 HZY9-36104-003. . . . . F-11-3  
 HZY9-36120-003. . . . . F-11-4  
 HZY9-36120-003. . . . . F-11-4  
 HZY9-36120-013. . . . . F-11-4  
 HZY9-36120-013. . . . . F-11-4  
 HZY9-36120-013. . . . . F-11-4  
 HZY9-36120-013. . . . . F-11-4  
 HZY9-36129-003. . . . . F-11-7  
 HZY9-36550-003. . . . . E-14-10  
 HZY9-37210-A02. . . . . FOP-10-24  
 HZY9-37210-A02. . . . . FOP-10-1-16  
 HZY9-38201-003. . . . . F-7-13  
 HZY9-38210-003. . . . . F-7-27  
 HZY9-38216-003. . . . . F-7-14  
 HZY9-38217-000. . . . . F-7-10-12  
 HZY9-38233-000. . . . . F-7-15  
 HZY9-38400-A00. . . . . FOP-10-25  
 HZY9-38400-A00. . . . . FOP-10-1-17  
 HZY9-38402-A00. . . . . FOP-10-26  
 HZY9-38402-A00. . . . . FOP-10-1-18  
 HZY9-38550-003. . . . . F-7-10-14  
 HZY9-38552-000. . . . . F-7-10-16  
 HZY9-38553-003. . . . . F-7-10-17  
 HZY9-38580-003. . . . . F-7-10-18  
 HZY9-38580-013. . . . . F-7-10-18  
 HZY9-40105-000. . . . . F-3-7  
 HZY9-40105-A00. . . . . FOP-10-27  
 HZY9-40105-H00. . . . . FOP-10-1-19  
 HZY9-40151-000ZD. . . . . F-8-9  
 HZY9-40154-000ZC. . . . . F-3-10  
 HZY9-40155-010. . . . . F-8-10  
 HZY9-40165-010. . . . . F-8-11  
 HZY9-40201-020ZC. . . . . F-3-11  
 HZY9-40202-H50ZB. . . . . F-3-10-2  
 HZY9-41100-H00ZB. . . . . F-3-20-1  
 HZY9-41100-H01ZB. . . . . F-3-20-1  
 HZY9-41100-H50ZB. . . . . F-3-20-1  
 HZY9-41100-H51ZB. . . . . F-3-20-1  
 HZY9-41101-H00ZB. . . . . F-3-10-4  
 HZY9-41151-H00. . . . . F-5-9  
 HZY9-41173-000. . . . . F-3-14  
 HZY9-50100-020. . . . . F-10-6  
 HZY9-50111-000ZC. . . . . F-3-15  
 HZY9-50153-000. . . . . F-10-8  
 HZY9-50156-000. . . . . F-3-17  
 HZY9-50156-000. . . . . F-3-17  
 HZY9-50157-000. . . . . F-3-18  
 HZY9-50158-000. . . . . F-10-9  
 HZY9-50166-010. . . . . F-10-10  
 HZY9-50168-000. . . . . F-10-11  
 HZY9-50201-020ZC. . . . . F-10-12  
 HZY9-50301-020ZC. . . . . F-10-15  
 HZY9-50311-020ZC. . . . . F-10-16  
 HZY9-50381-000. . . . . F-10-18  
 HZY9-50412-000. . . . . F-10-19  
 HZY9-53101-A00ZD. . . . . FOP-10-28  
 HZY9-53102-A02. . . . . FOP-10-29  
 HZY9-53105-A01. . . . . FOP-10-33  
 HZY9-53108-A00. . . . . FOP-10-36  
 HZY9-53232-A00. . . . . FOP-10-53  
 HZY9-53232-A00. . . . . FOP-10-160  
 HZY9-53233-A00ZD. . . . . FOP-10-54  
 HZY9-53233-A00ZD. . . . . FOP-10-1-61  
 HZY9-56000-013. . . . . F-11-11  
 HZY9-56000-013. . . . . F-11-11  
 HZY9-56000-023. . . . . F-11-11  
 HZY9-56000-023. . . . . F-11-11  
 HZY9-56000-033. . . . . F-11-11  
 HZY9-56000-033. . . . . F-11-11  
 HZY9-56100-013. . . . . F-11-12  
 HZY9-56115-003. . . . . F-11-46  
 HZY9-56115-003. . . . . F-11-46  
 HZY9-56115-013. . . . . F-11-46  
 HZY9-56115-013. . . . . F-11-46  
 HZY9-56115-023. . . . . F-11-46  
 HZY9-56115-023. . . . . F-11-46  
 HZY9-56120-003. . . . . F-11-47  
 HZY9-56120-003. . . . . F-11-47  
 HZY9-56120-013. . . . . F-11-47  
 HZY9-56120-013. . . . . F-11-47  
 HZY9-56170-003. . . . . F-11-21  
 HZY9-58130-H01ZA. . . . . FOP-8-1  
 HZY9-58130-H01ZB. . . . . FOP-8-1  
 HZY9-63100-020ZC. . . . . F-8-13  
 HZY9-63100-020ZC. . . . . F-8-13  
 HZY9-63100-030ZC. . . . . F-8-13  
 HZY9-63100-030ZC. . . . . F-8-13  
 HZY9-63102-000. . . . . F-8-14  
 HZY9-63102-000. . . . . F-8-14  
 HZY9-63102-010. . . . . F-8-14  
 HZY9-63102-010. . . . . F-8-14  
 HZY9-63232-010. . . . . F-3-22  
 HZY9-63232-010. . . . . F-8-15  
 HZY9-63237-000. . . . . F-3-23  
 HZY9-63237-000. . . . . F-8-16  
 HZY9-63347-010ZC. . . . . F-8-17  
 HZY9-63711-010ZC. . . . . F-8-18  
 HZY9-63716-010ZC. . . . . F-8-19  
 HZY9-63718-000. . . . . F-3-30-13  
 HZY9-63719-000. . . . . F-3-25  
 HZY9-82873-000. . . . . F-8-22  
 HZY9-82874-000. . . . . F-8-23  
 HZY9-87117-000. . . . . F-12-1  
 HZY9-87121-R00. . . . . F-12-2  
 HZY9-87132-R00. . . . . F-12-6  
 HZY9-87133-R00. . . . . F-12-17  
 HZY9-87531-000. . . . . F-12-13  
 HZY9-87546-000. . . . . F-12-16  
 HZY9-90003-000. . . . . E-14-12  
 HZY9-90003-000. . . . . E-18-19  
 HZY9-90004-M00. . . . . E-14-12  
 HZY9-90008-003. . . . . E-3-17  
 HZY9-90011-H00. . . . . E-2-27  
 HZY9-90011-M00. . . . . E-20-10-6  
 HZY9-90011-M00. . . . . E-2-27  
 HZY9-90013-M00. . . . . E-21-19  
 HZY9-90014-M00. . . . . E-14-13  
 HZY9-90014-M00. . . . . E-18-20-47  
 HZY9-90016-000. . . . . E-2-28  
 HZY9-90016-M00. . . . . E-2-28  
 HZY9-90017-000. . . . . E-15-17  
 HZY9-90020-M00. . . . . E-3-40  
 HZY9-90023-M00. . . . . E-19-5  
 HZY9-90026-M00. . . . . E-3-21  
 HZY9-90027-M00. . . . . E-5-11  
 HZY9-90027-M00. . . . . E-15-18  
 HZY9-90042-M00. . . . . E-14-14  
 HZY9-90043-M00. . . . . F-3-30-15  
 HZY9-90047-M00. . . . . E-2-33  
 HZY9-90054-M00. . . . . E-3-24  
 HZY9-90054-M00. . . . . E-14-15  
 HZY9-90056-M00. . . . . F-3-30-16  
 HZY9-90059-M00. . . . . E-21-22  
 HZY9-90069-M00. . . . . E-15-19  
 HZY9-90102-000. . . . . F-3-27  
 HZY9-90102-000. . . . . F-10-29  
 HZY9-90103-000. . . . . F-8-25  
 HZY9-90104-000. . . . . F-3-29  
 HZY9-90105-000. . . . . F-3-31  
 HZY9-90106-000. . . . . F-8-26  
 HZY9-90113-003. . . . . F-8-28  
 HZY9-90201-M00. . . . . E-3-26  
 HZY9-90201-M00. . . . . E-3-26  
 HZY9-90205-M00. . . . . E-14-17  
 HZY9-90508-000. . . . . F-2-32  
 HZY9-90509-000. . . . . F-2-33  
 HZY9-90651-000. . . . . F-2-35  
 HZY9-90652-003. . . . . F-7-7  
 HZY9-90751-000. . . . . F-8-37  
 HZY9-90754-000. . . . . F-3-39  
 HZY9-90755-000. . . . . F-8-38  
 HZY9-90951-A01. . . . . FOP-10-87  
 HZY9-90951-A01. . . . . FOP-10-1-92  
 HZY9-91304-000. . . . . E-5-15  
 HZY9-91402-000. . . . . F-3-30-23  
 HZY9-91403-000. . . . . E-15-21  
 HZY9-91404-000. . . . . E-15-22  
 HZY9-91405-000. . . . . E-15-23  
 HZY9-91451-A00. . . . . FOP-10-92  
 HZY9-91503-M00. . . . . E-15-24  
 HZY9-91503-M00. . . . . F-3-41  
 HZY9-91503-M00. . . . . F-7-23  
 HZY9-91503-M00. . . . . F-7-10-35  
 HZY9-91503-M00. . . . . F-7-20-4  
 HZY9-91503-M00. . . . . F-7-30-3  
 HZY9-91503-M00. . . . . F-8-40  
 HZY9-91504-M00. . . . . E-14-22  
 HZY9-91504-M00. . . . . E-18-20-53  
 HZY9-91552-000. . . . . F-8-39  
 HZY9-91553-000. . . . . F-3-42  
 HZY9-91554-000. . . . . F-8-42  
 HZY9-91555-000. . . . . F-7-10-36  
 HZY9-91557-000. . . . . F-10-59  
 HZY9-91601-000. . . . . E-6-16  
 HZZ0-06533-R00ZA. . . . . FOP-10-1  
 HZZ0-06533-T00ZA. . . . . FOP-10-1-1  
 HZZ0-13102-000. . . . . E-7-2  
 HZZ0-14110-000. . . . . E-9-1  
 HZZ0-14420-000. . . . . E-9-6  
 HZZ0-15810-003ZA. . . . . E-2-10  
 HZZ0-19241-000. . . . . F-4-6  
 HZZ0-24101-010. . . . . F-5-1  
 HZZ0-24113-000. . . . . F-5-4

HZZO-24122-000. . . . . F-5-5  
HZZO-24123-000. . . . . F-5-6  
HZZO-24124-000. . . . . F-5-7  
HZZO-24310-000. . . . . F-4-10  
HZZO-30416-M00 . . . . . F-7-20-1  
HZZO-32100-H00 . . . . . F-7-1  
HZZO-32100-M00 . . . . . F-7-1  
HZZO-32101-M00 . . . . . F-7-2  
HZZO-34750-H01 . . . . . E-20-10-9  
HZZO-34750-M01 . . . . . E-20-10-9  
HZZO-40155-M00 . . . . . F-8-10  
HZZO-40160-M00ZA . . . . . F-3-46  
HZZO-40161-M00 . . . . . F-8-44  
HZZO-40165-M00 . . . . . F-8-11  
HZZO-41102-000. . . . . F-3-10-6  
HZZO-41103-000. . . . . F-3-10-7  
HZZO-41104-010. . . . . F-3-10-8  
HZZO-41105-010. . . . . F-3-10-9  
HZZO-41107-000ZD. . . . . F-3-10-10  
HZZO-41140-010. . . . . F-5-8  
HZZO-41160-010. . . . . F-5-10  
HZZO-41161-000. . . . . F-5-11  
HZZO-50151-000. . . . . F-10-7  
HZZO-50155-000. . . . . F-3-16  
HZZO-50156-C00 . . . . . F-3-17  
HZZO-50156-C00 . . . . . F-3-17  
HZZO-50156-C00 . . . . . F-3-17  
HZZO-56532-C00 . . . . . F-11-24  
HZZO-56532-C00 . . . . . F-11-24  
HZZO-56532-C00 . . . . . F-11-24  
HZZO-56539-C00 . . . . . F-10-26  
HZZO-56539-C00 . . . . . F-10-26  
HZZO-56539-C00 . . . . . F-10-26  
HZZO-58130-D81ZB. . . . . FOP-8-1  
HZZO-58130-D91ZB. . . . . FOP-8-1  
HZZO-63100-M30ZA . . . . . F-8-13  
HZZO-63102-M00 . . . . . F-8-14  
HZZO-63347-M00ZA . . . . . F-8-17  
HZZO-63711-M00ZA . . . . . F-8-18  
HZZO-63716-M00ZA . . . . . F-8-19  
HZZO-87121-R00 . . . . . F-12-3  
HZZO-87125-R00 . . . . . FOP-10-59  
HZZO-87531-M00 . . . . . F-12-13  
HZZO-90101-000. . . . . F-3-10-13  
HZZO-90101-M00 . . . . . F-2-26  
HZZO-90102-M00 . . . . . E-20-10-6  
HZZO-90103-M00 . . . . . F-7-6  
HZZO-90106-M00 . . . . . F-8-26  
HZZO-90151-M00 . . . . . F-10-35  
HZZO-90506-C00 . . . . . F-5-15  
HZZO-90506-C00 . . . . . F-5-15  
HZZO-90506-C00 . . . . . F-5-15  
HZZO-91552-M00 . . . . . F-8-39  
HZZO-91555-M00 . . . . . F-7-10-36  
HZZO-91601-M00 . . . . . E-6-16  
HZZ3-06240-R30 . . . . . FOP-4-1  
HZZ3-06240-R40 . . . . . FOP-4-4-1  
HZZ3-06240-R60 . . . . . FOP-4-2-1  
HZZ3-06323-R20 . . . . . FOP-6-1  
HZZ3-06323-R30 . . . . . FOP-6-1-1  
HZZ3-06328-763. . . . . FOP-11-1  
HZZ3-17931-A41 . . . . . FOP-10-1-3  
HZZ3-24614-A41 . . . . . FOP-10-1-5  
HZZ3-24615-A41 . . . . . FOP-10-1-6  
HZZ3-24800-P12. . . . . F-15-2-1  
HZZ3-24800-R00 . . . . . F-15-2  
HZZ3-24820-R11 . . . . . FOP-4-13  
HZZ3-24820-R21 . . . . . FOP-4-2-14  
HZZ3-24830-R41 . . . . . FOP-4-4-11  
HZZ3-32127-000. . . . . F-7-12  
HZZ3-32186-000. . . . . FOP-11-2  
HZZ3-32341-R31 . . . . . FOP-6-5  
HZZ3-32346-R21 . . . . . FOP-6-6  
HZZ3-32346-R31 . . . . . FOP-6-1-3  
HZZ3-32347-R01 . . . . . FOP-6-7  
HZZ3-35100-R01 . . . . . FOP-10-17  
HZZ3-35100-R01 . . . . . FOP-10-1-9  
HZZ3-35100-R11 . . . . . F-15-39  
HZZ3-35100-R11 . . . . . F-15-2-33  
HZZ3-35100-R11 . . . . . FOP-6-13  
HZZ3-35100-R11 . . . . . FOP-6-1-7  
HZZ3-35180-A42 . . . . . FOP-10-1-10  
HZZ3-35340-741. . . . . FOP-12-1  
HZZ3-35340-A42 . . . . . FOP-10-1-11  
HZZ3-35341-740. . . . . FOP-12-2  
HZZ3-35342-740. . . . . FOP-12-3  
HZZ3-35343-740. . . . . FOP-12-4

HZZ3-35344-740. . . . . FOP-12-5  
HZZ3-35345-741. . . . . FOP-12-6  
HZZ3-35640-A41 . . . . . FOP-10-1-12  
HZZ3-35645-A41 . . . . . F-15-2-36  
HZZ3-35645-A41 . . . . . FOP-10-1-13  
HZZ3-37205-R01 . . . . . FOP-6-17  
HZZ3-53101-A41ZD . . . . . FOP-10-1-20  
HZZ3-53102-A41 . . . . . FOP-10-1-21  
HZZ3-53103-A41 . . . . . FOP-10-1-22  
HZZ3-53104-A41 . . . . . FOP-10-1-24  
HZZ3-53105-A41 . . . . . FOP-10-1-25  
HZZ3-53106-A41 . . . . . FOP-10-1-26  
HZZ3-53108-A41 . . . . . FOP-10-1-27  
HZZ3-53109-A41 . . . . . FOP-10-1-28  
HZZ3-53110-A41 . . . . . FOP-10-1-29  
HZZ3-53111-A41 . . . . . FOP-10-1-30  
HZZ3-53112-A41 . . . . . FOP-10-1-31  
HZZ3-53113-A41 . . . . . FOP-10-1-33  
HZZ3-53114-A41 . . . . . FOP-10-1-34  
HZZ3-53115-A41 . . . . . FOP-10-1-36  
HZZ3-53117-A41 . . . . . FOP-10-1-39  
HZZ3-53118-A41 . . . . . FOP-10-1-40  
HZZ3-53119-A41 . . . . . FOP-10-1-41  
HZZ3-53120-A41 . . . . . FOP-10-1-42  
HZZ3-53121-A41 . . . . . FOP-10-1-43  
HZZ3-53122-A41 . . . . . FOP-10-1-44  
HZZ3-53123-A41 . . . . . FOP-10-1-45  
HZZ3-53124-A41 . . . . . FOP-10-1-46  
HZZ3-53125-A41 . . . . . FOP-10-1-47  
HZZ3-53126-A41 . . . . . FOP-10-1-48  
HZZ3-53127-A41 . . . . . FOP-10-1-49  
HZZ3-53128-A41 . . . . . FOP-10-1-50  
HZZ3-53129-A41 . . . . . FOP-10-1-51  
HZZ3-53130-A41 . . . . . FOP-10-1-53  
HZZ3-53131-A41 . . . . . FOP-10-1-54  
HZZ3-53132-A41 . . . . . FOP-10-1-55  
HZZ3-53141-A41 . . . . . FOP-10-1-57  
HZZ3-53142-A41 . . . . . FOP-10-1-58  
HZZ3-53165-000. . . . . FOP-10-1-59  
HZZ3-87125-R00 . . . . . FOP-10-1-66  
HZZ3-87301-R00 . . . . . F-12-18  
HZZ3-87701-R00 . . . . . F-15-48  
HZZ3-87701-R40 . . . . . FOP-4-4-18  
HZZ3-87703-R01 . . . . . FOP-4-2-24  
HZZ3-87703-R81 . . . . . FOP-4-21  
HZZ3-90103-A41 . . . . . FOP-10-1-70  
HZZ3-90111-A41 . . . . . FOP-10-1-72  
HZZ3-90112-A41 . . . . . FOP-10-1-73  
HZZ3-90113-A41 . . . . . FOP-10-1-74  
HZZ3-90114-A41 . . . . . FOP-10-1-75  
HZZ3-90129-000. . . . . F-10-34  
HZZ3-90305-A41 . . . . . FOP-10-1-80  
HZZ3-90501-A41 . . . . . FOP-10-1-82  
HZZ3-90502-A41 . . . . . FOP-10-1-84  
HZZ3-90503-A41 . . . . . FOP-10-1-85  
HZZ3-90651-003. . . . . F-3-38  
HZZ3-91252-003. . . . . F-5-23  
HZZ3-91253-003. . . . . F-4-31  
HZZ5-06325-600. . . . . FOP-6-2  
HZZ5-06325-700. . . . . FOP-6-2  
HZZ5-06325-800. . . . . FOP-6-2  
HZZ5-24810-D01 . . . . . F-15-2-2  
HZZ5-24811-D01 . . . . . F-15-2-3  
HZZ5-24812-D01 . . . . . F-15-2-4  
HZZ5-24813-D01 . . . . . F-15-2-5  
HZZ5-24814-D01 . . . . . F-15-2-6  
HZZ5-24815-D01 . . . . . F-15-2-7  
HZZ5-24816-D01 . . . . . F-15-2-8  
HZZ5-24817-D01 . . . . . F-15-2-9  
HZZ5-24818-D01 . . . . . F-15-2-10  
HZZ5-24819-D01 . . . . . F-15-2-11  
HZZ5-24821-D01 . . . . . F-15-2-12  
HZZ5-24822-D01 . . . . . F-15-2-13  
HZZ5-24823-D01 . . . . . F-15-2-14  
HZZ5-24824-D01 . . . . . F-15-2-15  
HZZ5-24826-D01 . . . . . F-15-2-16  
HZZ5-24827-D01 . . . . . F-15-2-17  
HZZ5-24828-D01 . . . . . F-15-2-18  
HZZ5-24828-D01 . . . . . F-15-2-75  
HZZ5-24829-D01 . . . . . F-15-2-19  
HZZ5-24831-D01 . . . . . F-15-2-20  
HZZ5-24832-D01 . . . . . F-15-2-21  
HZZ5-24833-D01 . . . . . F-15-2-22  
HZZ5-24845-D01 . . . . . F-15-2-23  
HZZ5-24850-D01 . . . . . F-15-2-24  
HZZ5-24855-D01 . . . . . F-15-2-25  
HZZ5-24875-D01 . . . . . F-15-2-26

HZZ5-24876-D01 . . . . . F-15-2-27  
HZZ5-24878-D01 . . . . . F-15-2-28  
HZZ5-24883-D01 . . . . . F-15-2-29  
HZZ5-32185-600. . . . . FOP-6-4  
HZZ5-32185-700. . . . . FOP-6-4  
HZZ5-32185-800. . . . . FOP-6-4  
HZZ5-32530-000. . . . . F-15-35  
HZZ5-32530-D01 . . . . . F-15-2-30  
HZZ5-32545-000. . . . . FOP-6-8  
HZZ5-32545-000. . . . . FOP-6-1-4  
HZZ5-32580-600. . . . . FOP-6-9  
HZZ5-32580-700. . . . . FOP-6-9  
HZZ5-32580-800. . . . . FOP-6-9  
HZZ5-32580-D01 . . . . . FOP-6-9  
HZZ5-32580-D11 . . . . . FOP-6-9  
HZZ5-32580-D21 . . . . . FOP-6-9  
HZZ5-35370-D02 . . . . . F-15-2-35  
HZZ5-35701-D01 . . . . . F-15-2-37  
HZZ5-37210-013. . . . . F-15-45  
HZZ5-37210-712. . . . . FOP-6-1-11  
HZZ5-37210-762. . . . . FOP-6-18  
HZZ5-37210-D01 . . . . . F-15-2-40  
HZZ5-38414-003. . . . . FOP-6-21  
HZZ5-38414-003. . . . . FOP-6-1-14  
HZZ5-50211-000. . . . . F-10-13  
HZZ5-87701-D00 . . . . . F-15-2-43  
HZZ5-87702-A00 . . . . . F-15-2-44  
HZZ5-87702-A00 . . . . . F-15-2-45  
HZZ5-87703-P00. . . . . F-15-2-47  
HZZ5-87704-D01 . . . . . F-15-2-48  
HZZ5-90003-M00 . . . . . E-15-15  
HZZ5-90003-M00 . . . . . E-20-10-10  
HZZ5-90003-M00 . . . . . F-7-17  
HZZ5-90003-M00 . . . . . F-7-10-42  
HZZ5-90003-M00 . . . . . F-8-24  
HZZ5-90011-M00 . . . . . E-9-10-7  
HZZ5-90011-M00 . . . . . E-18-20  
HZZ5-90011-M00 . . . . . E-18-10-17  
HZZ5-90011-M00 . . . . . F-2-23  
HZZ5-90011-M00 . . . . . F-7-4  
HZZ5-90011-M00 . . . . . F-7-18  
HZZ5-90011-M00 . . . . . F-7-10-21  
HZZ5-90014-M00 . . . . . E-3-20  
HZZ5-90014-M00 . . . . . E-18-21  
HZZ5-90014-M00 . . . . . E-18-20-48  
HZZ5-90014-M00 . . . . . E-20-2  
HZZ5-90016-M00 . . . . . E-9-10-12  
HZZ5-90017-M00 . . . . . E-2-29  
HZZ5-90017-M00 . . . . . E-9-10-8  
HZZ5-90018-M00 . . . . . E-2-30  
HZZ5-90018-M00 . . . . . F-7-10-24  
HZZ5-90019-M00 . . . . . E-2-31  
HZZ5-90021-M00 . . . . . E-18-20-49  
HZZ5-90021-M00 . . . . . F-7-10-25  
HZZ5-90026-M00 . . . . . E-14-16  
HZZ5-90030-M00 . . . . . E-1-4  
HZZ5-90030-M00 . . . . . E-2-32  
HZZ5-90030-M00 . . . . . E-2-44  
HZZ5-90030-M00 . . . . . E-3-41  
HZZ5-90030-M00 . . . . . E-9-10-10  
HZZ5-90030-M00 . . . . . F-3-30-14  
HZZ5-90032-M00 . . . . . E-3-23  
HZZ5-90045-M00 . . . . . E-9-10-11  
HZZ5-90047-M00 . . . . . E-2-34  
HZZ5-90055-M00 . . . . . E-5-12  
HZZ5-90101-D01 . . . . . F-15-2-49  
HZZ5-90102-D01 . . . . . F-15-2-50  
HZZ5-90103-D01 . . . . . F-15-2-51  
HZZ5-90104-D01 . . . . . F-15-2-52  
HZZ5-90104-M00 . . . . . E-5-10  
HZZ5-90104-M00 . . . . . F-2-24  
HZZ5-90105-M00 . . . . . F-7-5  
HZZ5-90105-M00 . . . . . F-7-10-22  
HZZ5-90106-D01 . . . . . F-15-2-53  
HZZ5-90107-D01 . . . . . F-15-2-54  
HZZ5-90108-D01 . . . . . F-15-2-55  
HZZ5-90109-D01 . . . . . F-15-2-56  
HZZ5-90201-M00 . . . . . E-14-18  
HZZ5-90301-D01 . . . . . F-15-2-57  
HZZ5-90302-D01 . . . . . F-15-2-59  
HZZ5-90501-D01 . . . . . F-15-2-60  
HZZ5-90502-D01 . . . . . F-15-2-61  
HZZ5-90503-D01 . . . . . F-15-2-62  
HZZ5-90504-D01 . . . . . F-15-2-63  
HZZ5-90506-D01 . . . . . F-15-2-64  
HZZ5-90507-D01 . . . . . F-15-2-65  
HZZ5-90508-D01 . . . . . F-15-2-66

HZZ5-90508-M00 . . . . . E-15-20  
HZZ5-90508-M00 . . . . . F-2-31  
HZZ5-90508-M00 . . . . . F-8-34  
HZZ5-90509-D01 . . . . . F-15-2-67  
HZZ5-90651-D01 . . . . . F-15-2-68  
HZZ5-91151-D01 . . . . . F-15-2-69  
HZZ5-91152-D01 . . . . . F-15-2-70  
HZZ5-91153-D01 . . . . . F-15-2-71  
HZZ5-91154-D01 . . . . . F-15-2-72  
HZZ5-91156-D01 . . . . . F-15-2-73  
HZZ5-91157-D01 . . . . . F-15-2-74  
HZZ5-91302-M01 . . . . . E-2-45



# 2018 PARTS CATALOG

BFT 75AK1  
BFT 90AK1  
Models

OB No.002-14ZY9-0AH 1712 US

## TOHATSU CORPORATION

5-4, Azusawa 3-Chome, Itabashi-Ku  
Tokyo 174-0051, Japan  
Tel: +81-3-3966-3117 Fax: +81-3-3966-2951  
[www.tohatsu.com](http://www.tohatsu.com)

