

2019 PARTS CATALOG



TOHATSU

Feel the Wind™

BFT 60A BFW 60A Models

OB NO.002-14ZZ3-OAK 1812 US



TOHATSU CORPORATION

Instruction for use of parts catalogue

- **This parts catalogue was prepared based on the latest information available as of December 1, 2018.**
- See the Service Bulletin for any revision that is made after December 1, 2018.
- **Always specify the part number when ordering a part.**
 - Check the model, type, serial numbers, color, maker, and the size as needed before ordering a part.
 - Note that the illustrations (part drawings) can differ from the actual parts in shape.
Illustrations are given just to help you to refer to the parts.
- **When modifications or additions to this parts catalogue are made, a revised edition will be issued at an appropriate time, with successively progressing revision numbers on the cover. We recommend obtaining such revisions in order to keep your parts catalogue up-to-date at all times.**

Initial version issue date December 1, 2018

CONTENTS

E-2	CYLINDER HEAD	1
E-3	CYLINDER BLOCK	5
E-5	OIL PUMP	9
E-6	OIL CASE	11
E-7	CRANKSHAFT/PISTON	13
E-9	CAMSHAFT	17
E-13	TIMING BELT	19
E-14	INLET MANIFOLD/INJECTOR	21
E-15	THROTTLE BODY	23
E-15-10	AIR GUIDE	25
E-18	TUBING	27
E-18-10	VAPOR SEPARATOR	29
E-19	A.C. GENERATOR	33
E-20	ELECTRONIC CONTROL UNIT	35
E-20-10	IGNITION COIL	37
E-21	STARTER MOTOR	39
EOP-1	GASKET KIT	41
F-2	SHIFT SHAFT	43
F-3	EXTENSION CASE	47
F-3-10	GEAR CASE (1)	49
F-3-11	GEAR CASE (2)	51
F-3-20	GEAR CASE ASSY	55
F-3-30	UPPER RUBBER MOUNT	57
F-4	WATER PUMP (1)	61
F-4-1	WATER PUMP (2)	65
F-5	PROPELLER SHAFT (1)	69
F-5-1	PROPELLER SHAFT (2)	73
F-6	FUEL TUBE	77
F-7	WIRE HARNESS	79
F-7-10	STARTER CABLE	81
F-7-20	ELECTRONIC PARTS CASE	83
F-7-30	A.C. GENERATOR COVER	85
F-7-40	TROLLING CONTROL SWITCH	87
F-8	ENGINE UNDER COVER	89
F-8-10	ENGINE COVER	93
F-10	STERN BRACKET	95
F-11	SWIVEL CASE	97
F-11-20	POWER TRIM TILT	99
F-12	LABEL	105
F-13	TOOL/OTHER PARTS	107
F-15	REMOTE CONTROL BOX (HI-LEX) (HANDLE CAP = GRAY)	109
F-15-1	REMOTE CONTROL BOX (2)	115
F-15-2	REMOTE CONTROL (NHK MEC) (HANDLE CAP = CHROME)	119
FOP-1	IMPELLER PUMP KIT	125
FOP-2-1	METER	127
FOP-2-4	INTERFACE CABLE KIT	129
FOP-3	SWITCH PANEL KIT (1)	131
FOP-3-1	SWITCH PANEL KIT (2)	135
FOP-3-2	SWITCH PANEL KIT (3)	137
FOP-3-3	SWITCH PANEL KIT (4)	139
FOP-3-4	SWITCH PANEL KIT (5)	141
FOP-4	REMOTE CONTROL BOX (TOP MOUNT SINGLE TYPE) (RIGHT)	143
FOP-4-2	REMOTE CONTROL BOX (TOP MOUNT DUAL TYPE) (RIGHT)	147
FOP-4-4	REMOTE CONTROL BOX (FLUSH MOUNT TYPE) (RIGHT)	151
FOP-6	PROPELLER	153
FOP-7	BOLT KIT	155
FOP-8	STEERING HANDLE KIT (COMPONENT PARTS)	157
FOP-8-10	STEERING ROD KIT	165
FOP-9	TILT LIMIT KIT/SPEED SENSOR TUBE KIT	167
INDEX		169
INDEX (Parts Number)		175

How to refer to the part information

A. Reference with "Illustrated index"

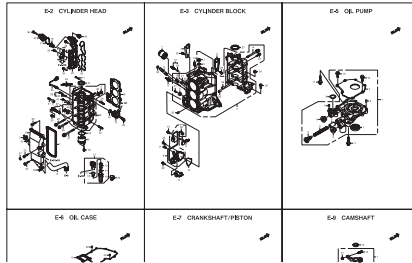


Fig. Number

Ref. Number/Part Number/Parts Name

Ref.No.	Part No.	Description	Q'ty	Remarks	
E-2	1	H2V41215P-A40	METAL ANODE	3 3	
E-2	2	H2Z31210-H0021A	HEAD COMP. CYLINDER	1 1	HNH# DARK GRAY
E-2	3	H2B11201-M010	BOLT, SEALING, 23MM	2 2	
E-2	4	H2Z312041-H00	COVER, CAM THRUST	1 1	
E-2	5	H2Z312011-H00	GASKET, CYLINDER HEAD	1 1	
E-2	6	H2Z31210-H000	COVER, CYLINDER HEAD	1 1	
E-2	7	H2Z312012-H000	PACKING, HEAD COVER	1 1	
E-2	8	H2Z312010-H00	TUBE, OIL	1 1	
E-2	9	H2B112011-H000	CAP, OIL/YELLOW	1 1	
E-2	10	H2Z312100-H000	PUMP ASSY, FUEL	1 1	
E-2	11	H2Z312011-H000	LIFTER, FUEL, PUMP	1 1	
E-2	12	H2Z312000-H000	STRAINER ASSY, FUEL	1 1	
E-2	13	H2Z312001-H000	FILTER	1 1	
E-2	14	H2Z312006-H000	FLOAT	1 1	
E-2	15	H2Z312012-H000	CUP	1 1	
E-2	16	H2Z312015-H000	SUSPENSION STRAINER	1 1	
E-2	17	H2Z312018-H000	O-RING	1 1	
E-2	18	H2Z312019-H000	O-RING	1 1	
E-2	19	H2B112000-H000	THERMOSTAT ASSY.	1 1	
E-2	20	H2B112010-H000	COVER, THERMOSTAT	1 1	
E-2	21	H2B112011-H000	O-RING, THERMOSTAT COVER	1 1	
E-2	22	H2Z312001-H000	COVER, WATER JACKET	1 1	
E-2	23	H2Z312010-H000	PACKING, EX. WATER JACKET	1 1	COVER
E-2	24	H2Z312008-H000	PLUG, SPARK/MARCO-6	3 3	
E-2	25	H2Z312005-H000	SENSOR, OXYGEN	1 1	
E-2	26	H2V112001-H000	SENSOR ASSY, WATER	1 1	TEMPERATURE
E-2	27	H2V112002-H000	SENSOR ASSY, TDC	1 1	
E-2	28	H2B112000-H000	BOLT, FLANGE, 6X22	2 2	
E-2	29	H2Z312000-H000	BOLT, FLANGE, 6X30	1 1	

B. Reference with "Parts number index"

INDEX (Parts Number)			
102415540	1515	104408040	1142945
104408100	47	104408040	1142946
104408100	50	104411174	118120
104408100	51	104411174	118121
104408100	52	104411174	118122
104408100	53	104411174	118123
104408100	54	104411174	118124
104408100	55	104411174	118125
104408100	56	104411174	118126
104408100	57	104411174	118127
104408100	58	104411174	118128
104408100	59	104411174	118129
104408100	60	104411174	118130
104408100	61	104411174	118131
104408100	62	104411174	118132
104408100	63	104411174	118133
104408100	64	104411174	118134
104408100	65	104411174	118135
104408100	66	104411174	118136
104408100	67	104411174	118137
104408100	68	104411174	118138
104408100	69	104411174	118139
104408100	70	104411174	118140
104408100	71	104411174	118141
104408100	72	104411174	118142
104408100	73	104411174	118143
104408100	74	104411174	118144
104408100	75	104411174	118145
104408100	76	104411174	118146
104408100	77	104411174	118147
104408100	78	104411174	118148
104408100	79	104411174	118149
104408100	80	104411174	118150
104408100	81	104411174	118151
104408100	82	104411174	118152
104408100	83	104411174	118153
104408100	84	104411174	118154
104408100	85	104411174	118155
104408100	86	104411174	118156
104408100	87	104411174	118157
104408100	88	104411174	118158
104408100	89	104411174	118159
104408100	90	104411174	118160
104408100	91	104411174	118161
104408100	92	104411174	118162
104408100	93	104411174	118163
104408100	94	104411174	118164
104408100	95	104411174	118165
104408100	96	104411174	118166
104408100	97	104411174	118167
104408100	98	104411174	118168
104408100	99	104411174	118169
104408100	100	104411174	118170

C. Reference with "Parts name index"

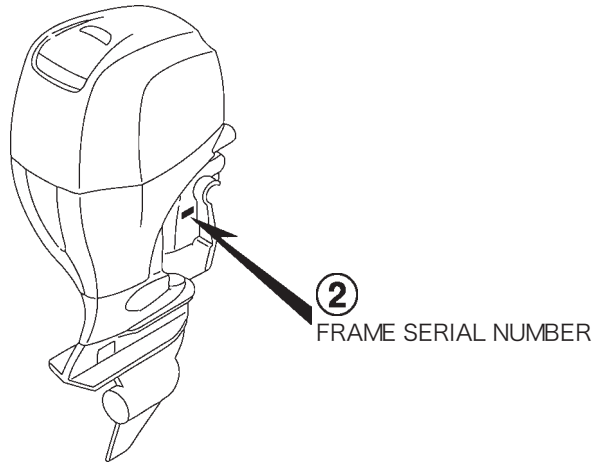
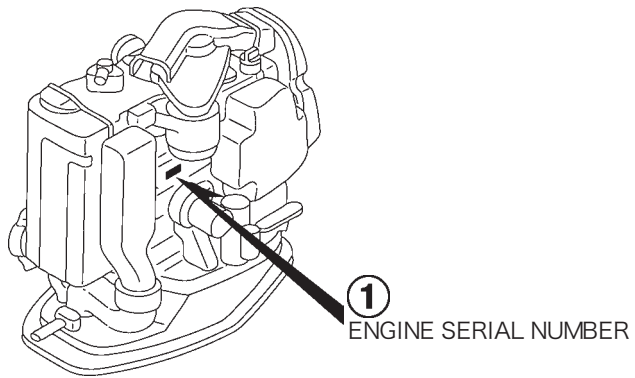
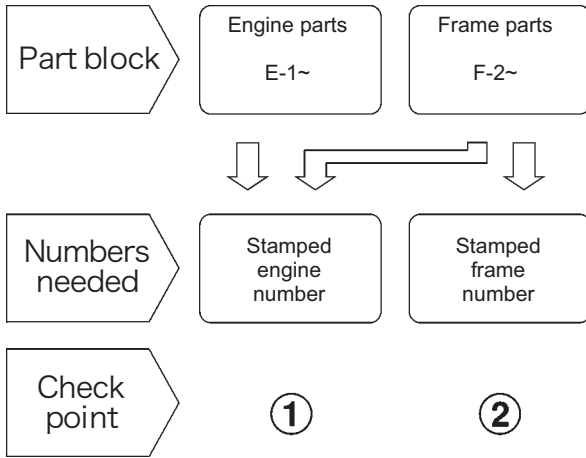
INDEX			
ADJ. SCREW	2128	BOLT	1043
ADJUSTING NUT	24	BOLT	1040
ADJUSTING SCREW	26	BOLT	1041
ADJUSTING SCREW	1512	BOLT	1042
BE-BOLT	540	BOLT	1142
BE-VENT KEY	547	BOLT	1143
ALTERNATOR ASSY.	62	BOLT	1144
ANODE	141	BOLT	1145
ANODE	124	BOLT	1146
ANODE	135	BOLT	1147
ANODE PLUG	124	BOLT	1148
ARPER	1046	BOLT	124
ROBERT COOK BELU-200	2140	BOLT	1241
ROBERT COOK BELU-200	2141	BOLT	1242
ROBERT COOK BELU-200	2142	BOLT	1243
ROBERT COOK BELU-200	2143	BOLT	1244
ROBERT COOK BELU-200	2144	BOLT	1245
ROBERT COOK BELU-200	2145	BOLT	1246
ROBERT COOK BELU-200	2146	BOLT	1247
ROBERT COOK BELU-200	2147	BOLT	1248
ROBERT COOK BELU-200	2148	BOLT	1249
ROBERT COOK BELU-200	2149	BOLT	1250
ROBERT COOK BELU-200	2150	BOLT	1251
ROBERT COOK BELU-200	2151	BOLT	1252
ROBERT COOK BELU-200	2152	BOLT	1253
ROBERT COOK BELU-200	2153	BOLT	1254
ROBERT COOK BELU-200	2154	BOLT	1255
ROBERT COOK BELU-200	2155	BOLT	1256
ROBERT COOK BELU-200	2156	BOLT	1257
ROBERT COOK BELU-200	2157	BOLT	1258
ROBERT COOK BELU-200	2158	BOLT	1259
ROBERT COOK BELU-200	2159	BOLT	1260
ROBERT COOK BELU-200	2160	BOLT	1261
ROBERT COOK BELU-200	2161	BOLT	1262
ROBERT COOK BELU-200	2162	BOLT	1263
ROBERT COOK BELU-200	2163	BOLT	1264
ROBERT COOK BELU-200	2164	BOLT	1265
ROBERT COOK BELU-200	2165	BOLT	1266
ROBERT COOK BELU-200	2166	BOLT	1267
ROBERT COOK BELU-200	2167	BOLT	1268
ROBERT COOK BELU-200	2168	BOLT	1269
ROBERT COOK BELU-200	2169	BOLT	1270
ROBERT COOK BELU-200	2170	BOLT	1271
ROBERT COOK BELU-200	2171	BOLT	1272
ROBERT COOK BELU-200	2172	BOLT	1273
ROBERT COOK BELU-200	2173	BOLT	1274
ROBERT COOK BELU-200	2174	BOLT	1275
ROBERT COOK BELU-200	2175	BOLT	1276
ROBERT COOK BELU-200	2176	BOLT	1277
ROBERT COOK BELU-200	2177	BOLT	1278
ROBERT COOK BELU-200	2178	BOLT	1279
ROBERT COOK BELU-200	2179	BOLT	1280
ROBERT COOK BELU-200	2180	BOLT	1281
ROBERT COOK BELU-200	2181	BOLT	1282
ROBERT COOK BELU-200	2182	BOLT	1283
ROBERT COOK BELU-200	2183	BOLT	1284
ROBERT COOK BELU-200	2184	BOLT	1285
ROBERT COOK BELU-200	2185	BOLT	1286
ROBERT COOK BELU-200	2186	BOLT	1287
ROBERT COOK BELU-200	2187	BOLT	1288
ROBERT COOK BELU-200	2188	BOLT	1289
ROBERT COOK BELU-200	2189	BOLT	1290
ROBERT COOK BELU-200	2190	BOLT	1291
ROBERT COOK BELU-200	2191	BOLT	1292
ROBERT COOK BELU-200	2192	BOLT	1293
ROBERT COOK BELU-200	2193	BOLT	1294
ROBERT COOK BELU-200	2194	BOLT	1295
ROBERT COOK BELU-200	2195	BOLT	1296
ROBERT COOK BELU-200	2196	BOLT	1297
ROBERT COOK BELU-200	2197	BOLT	1298
ROBERT COOK BELU-200	2198	BOLT	1299
ROBERT COOK BELU-200	2199	BOLT	1300
ROBERT COOK BELU-200	2200	BOLT	1301

Part catalogue structure

Ref.No.	Part No.	Description	Q.ty		Remarks
			10	15	
E-2	H2V-2105-000	METAL ANGLE	3	3	
E-2	H2Z-10210-000EA	HEAD COMP, CYLINDER	1	1	HEAD DARK GRAY
E-2	H2W-12011-010	BOLT SEALING 20MM	2	2	
E-2	H2Z-1024-000	COVER CAM THURST	1	1	
E-2	H2Z-1021-003	GASKET CYLINDER HEAD	1	1	
E-2	H2Z-1030-000	COVER CYLINDER HEAD	1	1	
E-2	H2Z-1031-000	PACKING HEAD COVER	1	1	
E-2	H2Z-1042-000	TUBE OIL	1	1	
E-2	H8E-1061-000	CAP OIL/YELLOW	1	1	
E-2	H2Z-1030-003	PUMP ASSY, FUEL	1	1	
E-2	H2Z-1011-000	LIFTER FUEL PUMP	1	1	
E-2	H2Z-1000-003	STRAINER ASSY, FUEL	1	1	
E-2	H2Z-1001-003	FILTER	1	1	
E-2	H2Z-1009-003	FLOAT	1	1	
E-2	H2Z-1012-003	CUP	1	1	
E-2	H2Z-1013-000	SUSPENSION STRAINER	1	1	
E-2	H2Z-1010-003	O-RING	1	1	
E-2	H2Z-1019-003	O-RING	1	1	
E-2	H2W-1030-003	THERMOSTAT ASSY.	1	1	
E-2	H2W-1031-000	COVER THERMOSTAT	1	1	
E-2	H2W-1031-000	O-RING THERMOSTAT COVER	1	1	
E-2	H2Z-1001-000	COVER WATER JACKET	1	1	
E-2	H2Z-1001-000	PACKING EX WATER JACKET	1	1	COVER
E-2	H2Z-1009-003	FLUX SPARKPLUG/W-H	3	3	
E-2	H2Z-1000-003	SENSOR OXYGEN	1	1	
E-2	H2Y-1007-003	SENSOR ASSY, WATER	1	1	TEMPERATURE
E-2	H2Y-1009-003	SENSOR ASSY, TDC	1	1	
E-2	H2W-1002-000	BOLT FLANGE 8X32	2	2	
E-2	H2Z-1000-000	BOLT FLANGE 8X30	1	1	

- ① Fig. Number
- ② Fig. Title
- ③ Ref. Number
- ④ Parts Number
- ⑤ Parts Name
- ⑥ Q.ty
- ⑦ Remarks
- ⑧ Defferent specification
- ⑨ Direction Arrow
- ⑩ Parts enclosed within a dotted line are sub assembly parts.
- ⑪ A solid arrow indicates the block No. the part in question is connected to.

How to check the part block and serial numbers



Models, parts catalogue codes and applicable serial numbers

- Models, parts catalogue codes and applicable serial Nos. given in this parts catalogue can be identified as follows.

Model	Type	Parts catalogue type	Engine		Applicable engine serial No.	Applicable frame serial No.
			Model	Type		
BFT60A	LRTA	LRTA	BF60A	SE2	BEBFJ-1000001~	BBFJ-6000132~
BFW60A	LRTA	LRTA	BF60A	SE3	BEBFJ-1000001~	BBFJ-7000015~

Features of each type

- See the following table for the features of each type. (Items in brackets are optional)

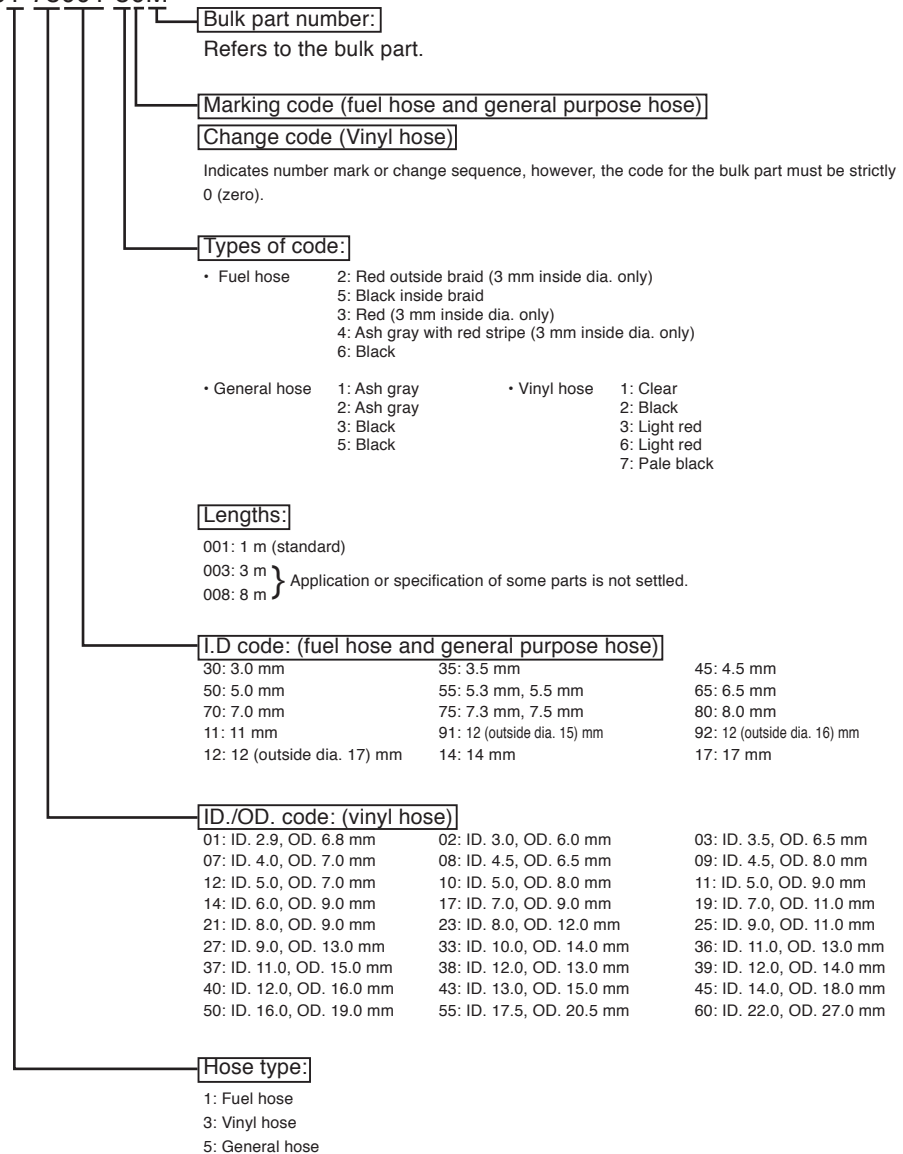
Specifications		Model	BFT 60A1
		Type	LRTA
Transom height	521 mm		●
Propeller	11-3/8 x 12		(●)
	11-1/8 x 13		(●)
	11-1/8 x 14		●
	11 x 15		(●)
	11 x 16		(●)
	11 x 17		(●)
Steering handle			(●)
Remote control			●
Trolling control switch			(●)

Fuel hose, general purpose hoses and vinyl hose

- The standard part fuel hose, general purpose hose and vinyl hose may be substituted by the coiled bulk part.
- When ordering the standard part fuel hose, general purpose hose and vinyl hose use the bulk part number written in the parts catalog in brackets () underneath the part name.
- When exchanging the hose, cut and use at the specified length as mentioned in the part name. (For the method of cutting the bulk part, and method of filling out orders etc., please refer to the instructions issued with the bulk part.)

Bulk part number of fuel hose, general purpose hose and vinyl hose.

Example: 95001-75001-50M

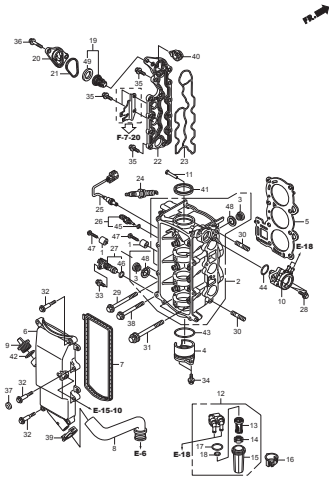


CAUTION: It is DANGEROUS to confuse the fuel hose with the general purpose hose or vinyl hose.

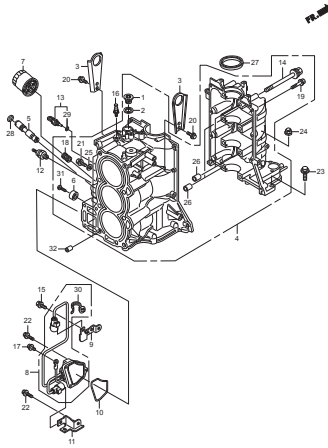
Never use a general purpose hose or vinyl hose in place of a fuel hose or vice versa.

Always use the correct bulk part in the parts catalogue, according to the service manual or the instructions issued with the bulk part.

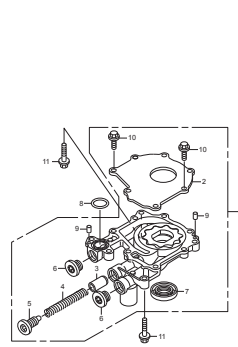
E-2 CYLINDER HEAD



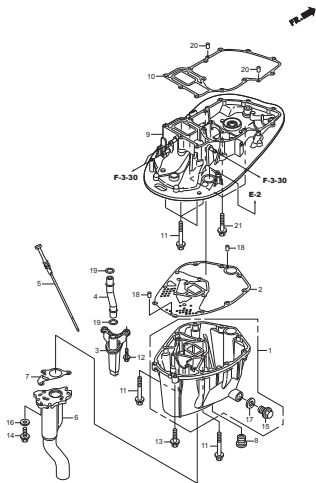
E-3 CYLINDER BLOCK



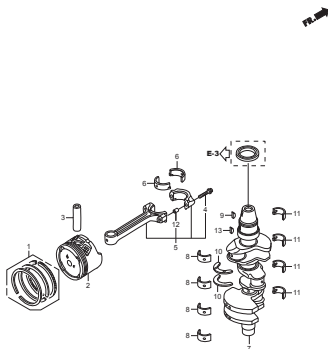
E-5 OIL PUMP



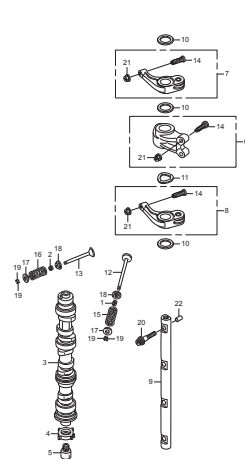
E-6 OIL CASE



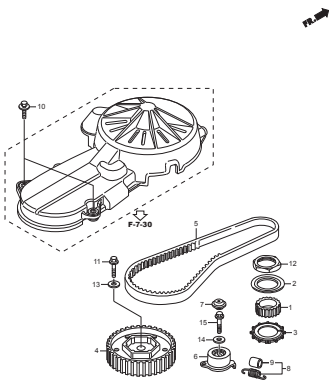
E-7 CRANKSHAFT/PISTON



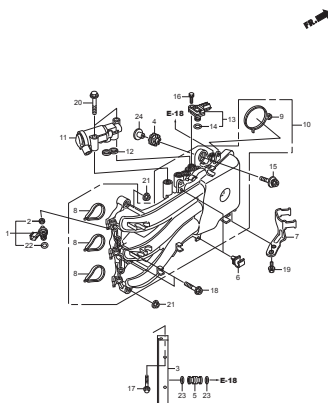
E-9 CAMSHAFT



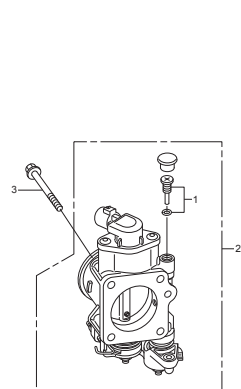
E-13 TIMING BELT



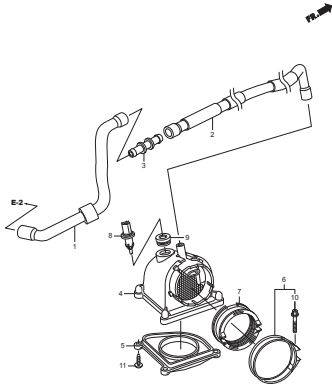
E-14 INLET MANIFOLD/INJECTOR



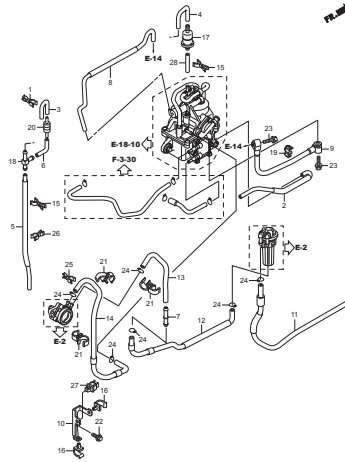
E-15 THROTTLE BODY



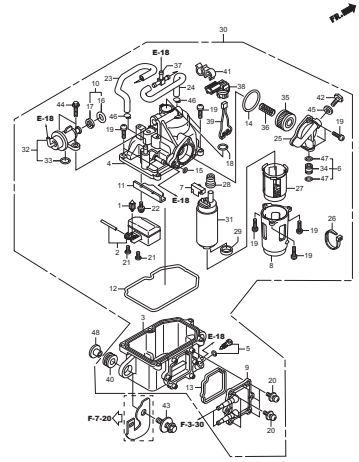
E-15-10 AIR GUIDE



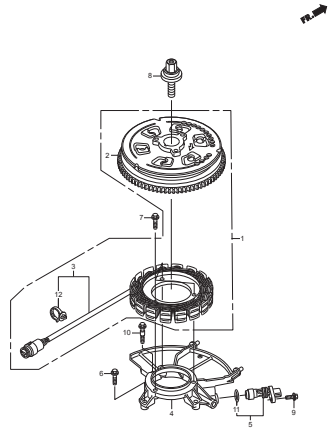
E-18 TUBING



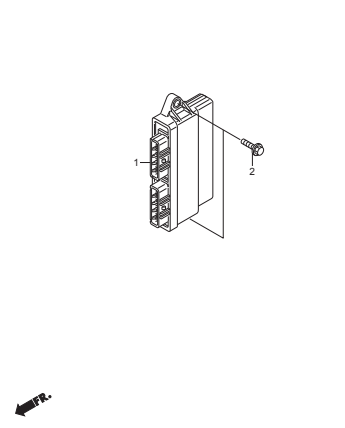
E-18-10 VAPOR SEPARATOR



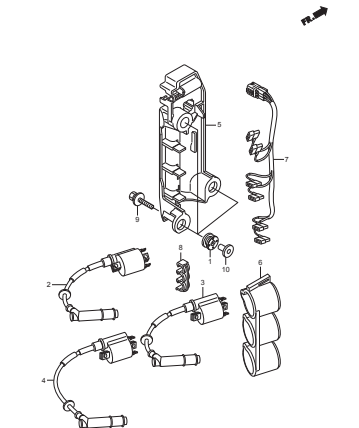
E-19 A.C. GENERATOR



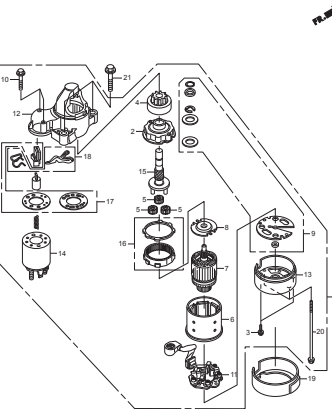
E-20 ELECTRONIC CONTROL UNIT



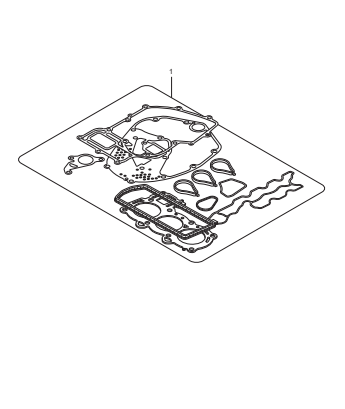
E-20-10 IGNITION COIL



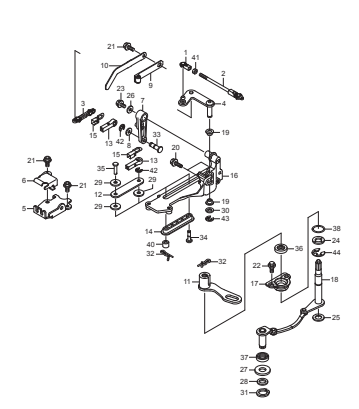
E-21 STARTER MOTOR



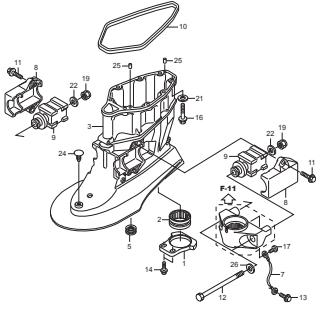
EOP-1 GASKET KIT



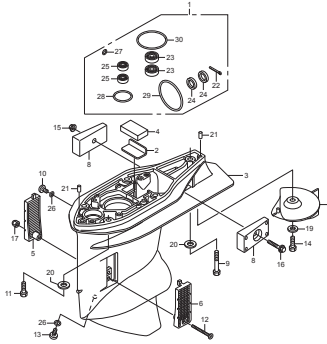
F-2 SHIFT SHAFT



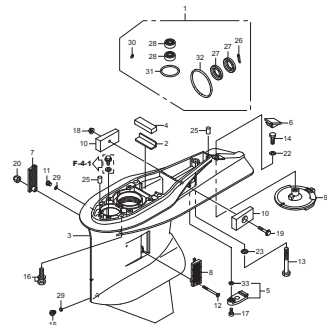
F-3 EXTENSION CASE



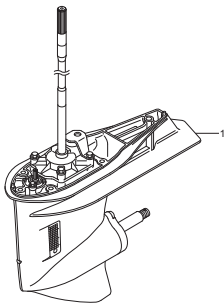
F-3-10 GEAR CASE (1)



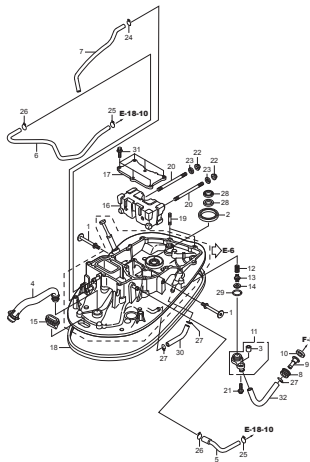
F-3-11 GEAR CASE (2)



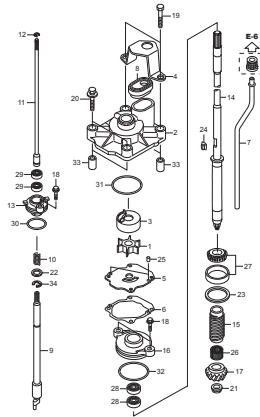
F-3-20 GEAR CASE ASSY



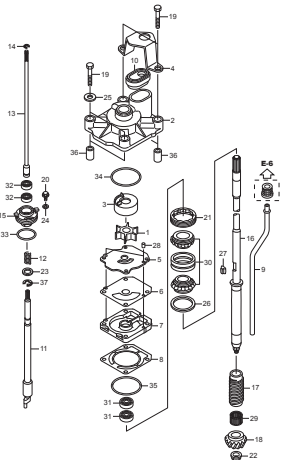
F-3-30 UPPER RUBBER MOUNT



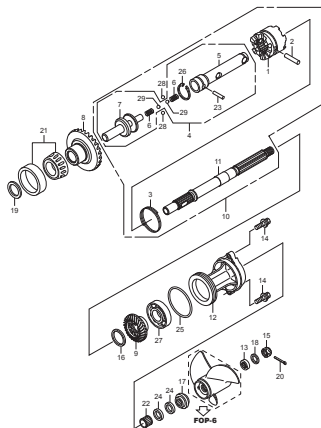
F-4 WATER PUMP (1)



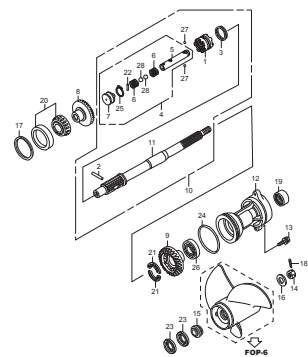
F-4-1 WATER PUMP (2)



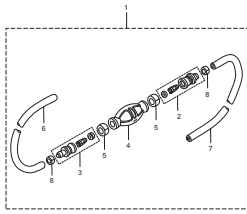
F-5 PROPELLER SHAFT (1)



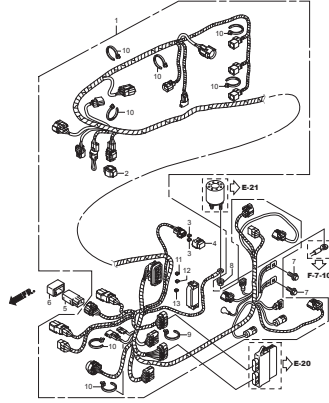
F-5-1 PROPELLER SHAFT (2)



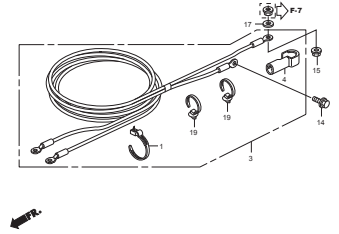
F-6 FUEL TUBE



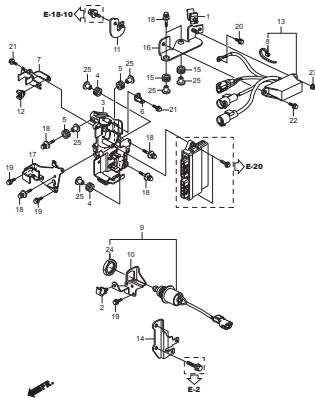
F-7 WIRE HARNESS



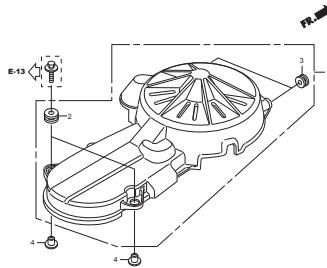
F-7-10 STARTER CABLE



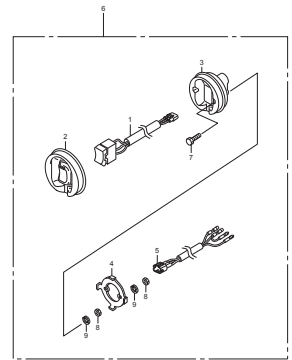
F-7-20 ELECTRONIC PARTS CASE



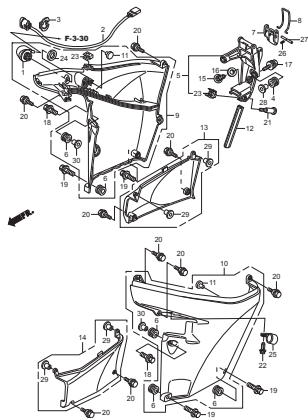
F-7-30 A.C. GENERATOR COVER



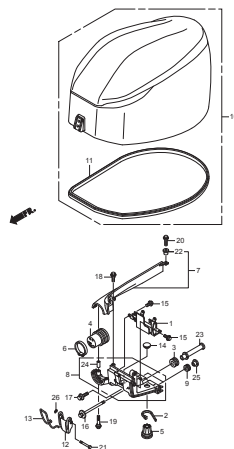
F-7-40 TROLLING CONTROL SWITCH



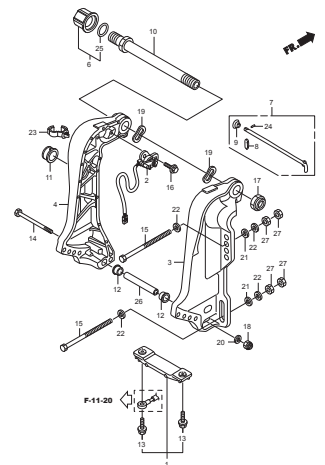
F-8 ENGINE UNDER COVER



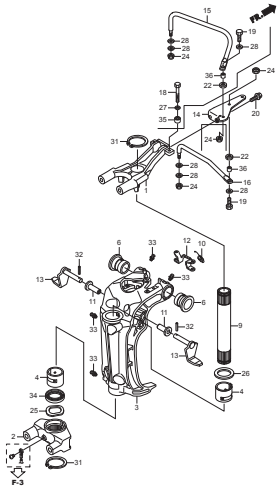
F-8-10 ENGINE COVER



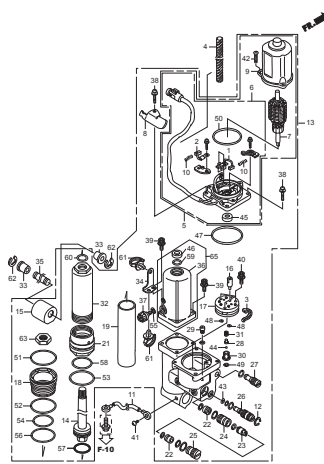
F-10 STERN BRACKET



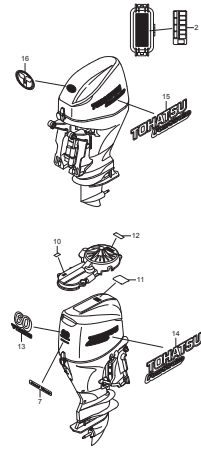
F-11 SWIVEL CASE



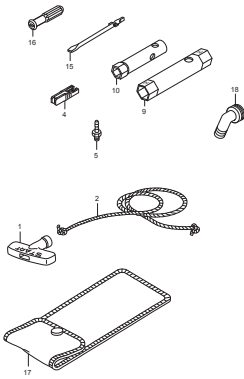
F-11-20 POWER TRIM TILT



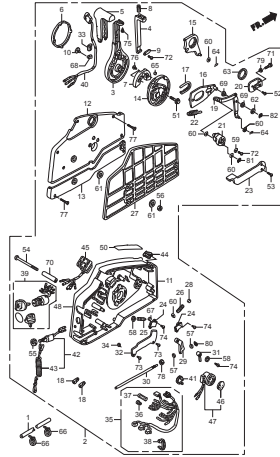
F-12 LABEL



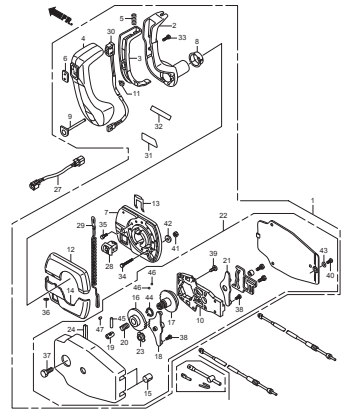
F-13 TOOL/OTHER PARTS



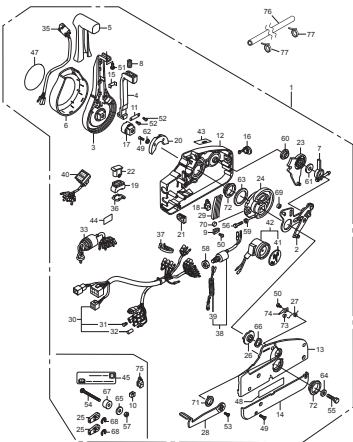
F-15 REMOTE CONTROL BOX (HI-LEX)(HANDLE CAP = GRAY)



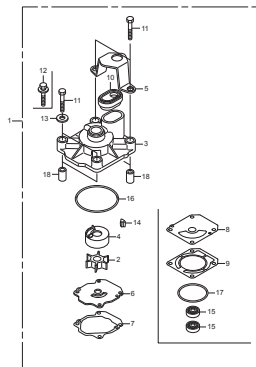
F-15-1 REMOTE CONTROL BOX (2)



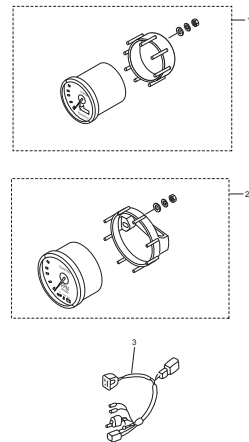
F-15-2 REMOTE CONTROL (NHK MEC) (HANDLE CAP = CHROME)



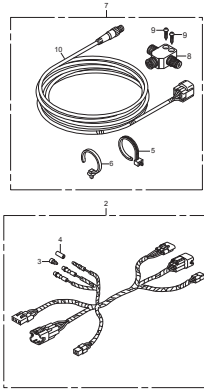
FOP-1 IMPELLER PUMP KIT



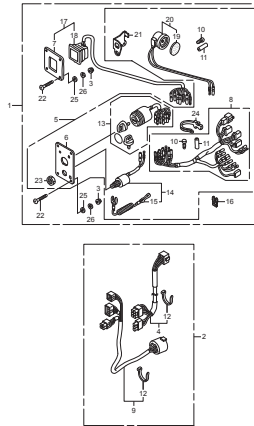
FOP-2-1 METER



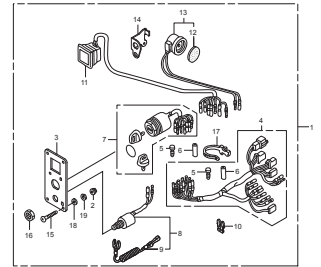
FOP-2-4 INTERFACE CABLE KIT



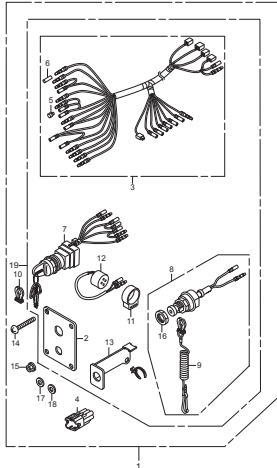
FOP-3 SWITCH PANEL KIT (1)



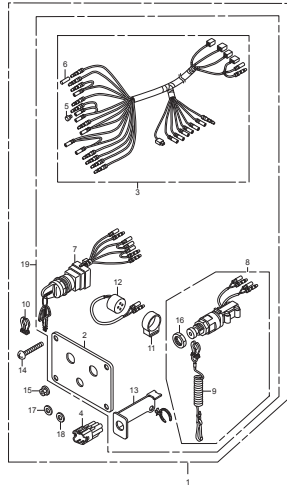
FOP-3-1 SWITCH PANEL KIT (2)



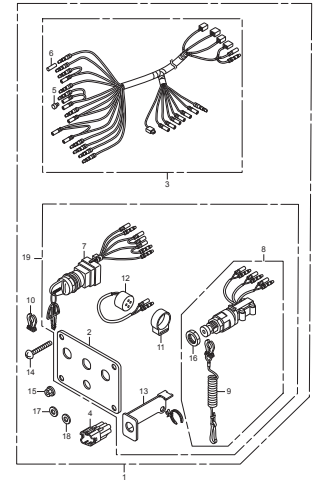
FOP-3-2 SWITCH PANEL KIT (3)



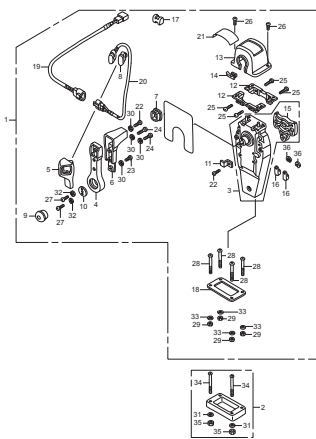
FOP-3-3 SWITCH PANEL KIT (4)



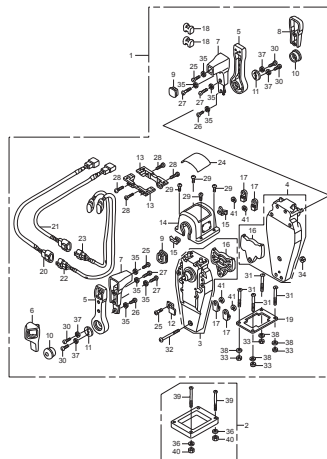
FOP-3-4 SWITCH PANEL KIT (5)



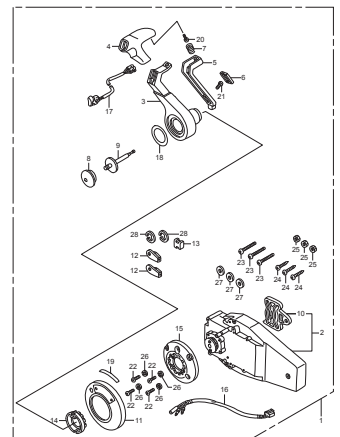
FOP-4 REMOTE CONTROL BOX (TOP MOUNT SINGLE TYPE) (RIGHT)



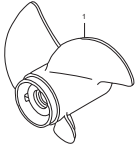
FOP-4-2 REMOTE CONTROL BOX (TOP MOUNT DUAL TYPE) (RIGHT)



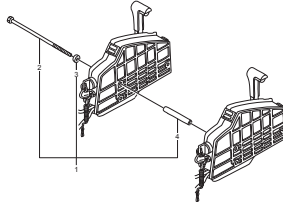
FOP-4-4 REMOTE CONTROL BOX (FLUSH MOUNT TYPE) (RIGHT)



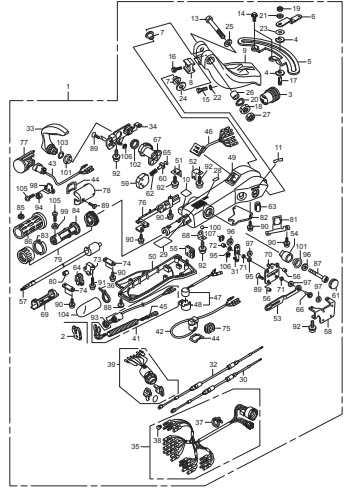
FOP-6 PROPELLER



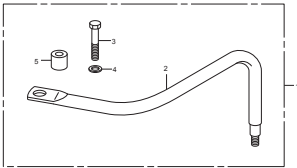
FOP-7 BOLT KIT



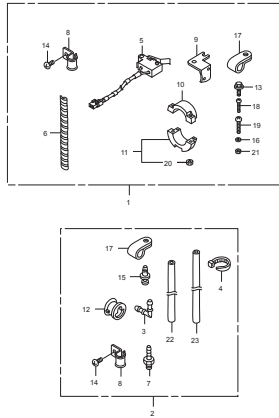
FOP-8 STEERING HANDLE KIT (COMPONENT PARTS)

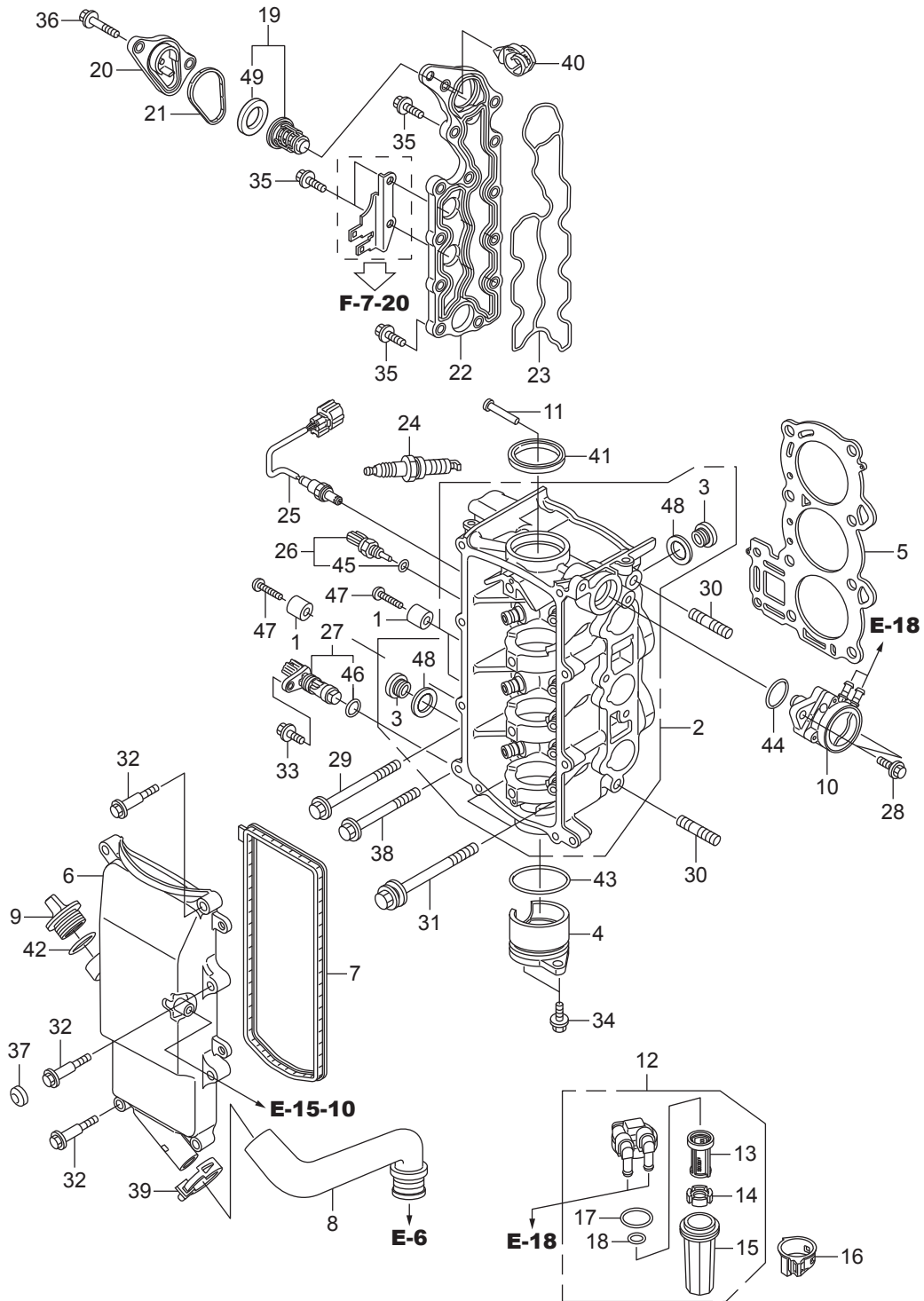


FOP-8-10 STEERING ROD KIT

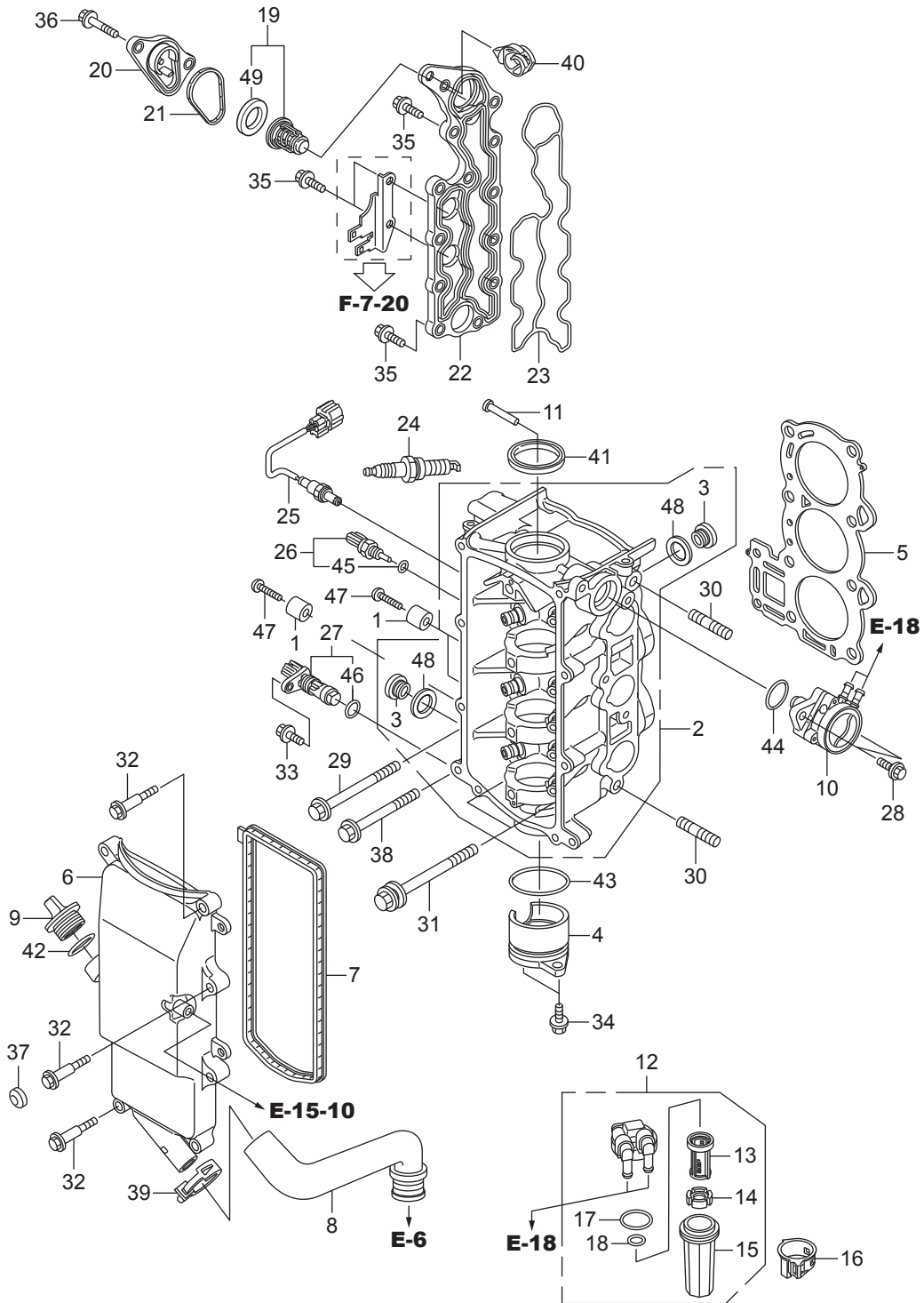


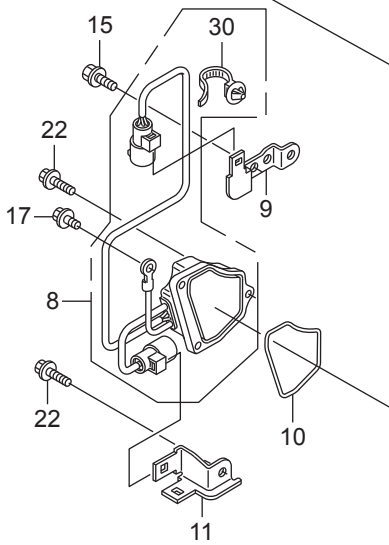
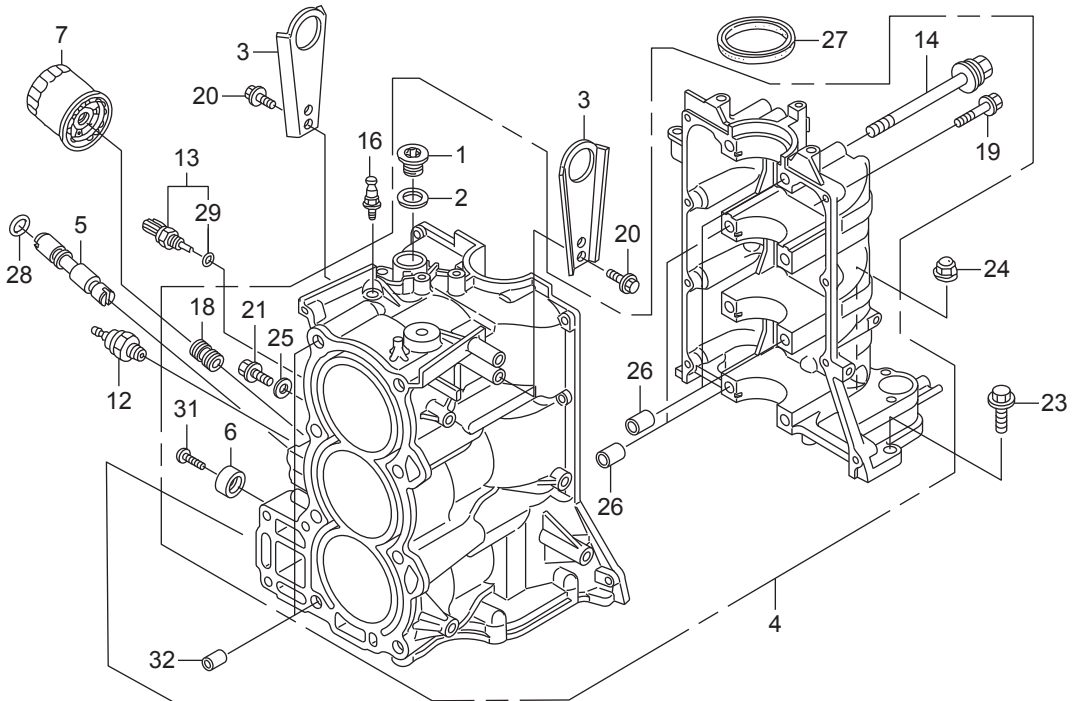
FOP-9 TILT LIMIT KIT/SPEED SENSOR TUBE KIT





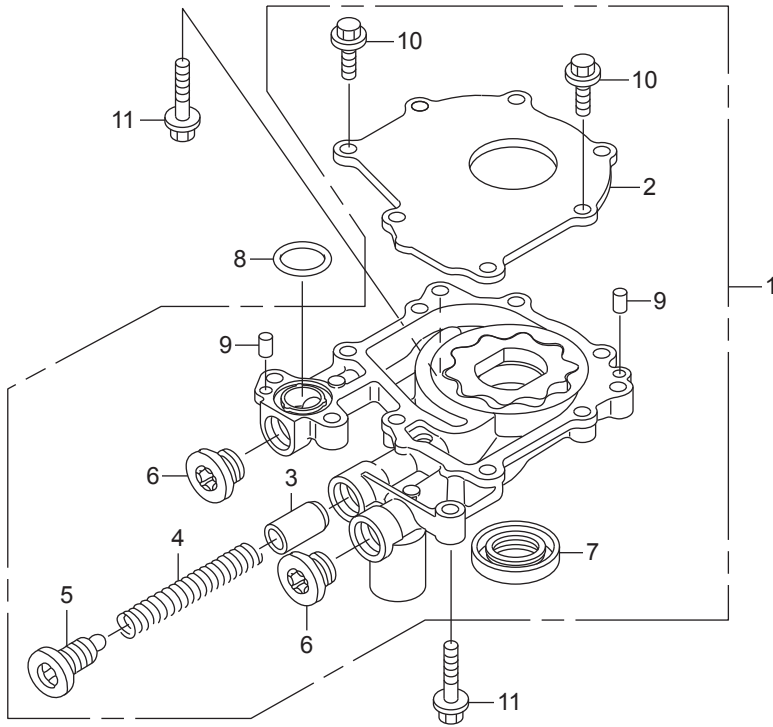
Ref.No.	Part No.	Description	Q' ty		Remarks	
			BFT60A	BFW60A		
E-2	1	HZV4-12155-A00	METAL, ANODE	3	3	
E-2	2	HZZ3-12210-000ZA	HEAD COMP., CYLINDER	1	1	*NH8* DARK GRAY
E-2	3	HZW1-12217-010	BOLT, SEALING, 20MM	2	2	
E-2	4	HZZ3-12241-000	COVER, CAM THRUST	1	1	
E-2	5	HZZ3-12251-003	GASKET, CYLINDER HEAD	1	1	
E-2	6	HZZ3-12310-000	COVER, CYLINDER HEAD	1	1	
E-2	7	HZZ3-12312-000	PACKING, HEAD COVER	1	1	
E-2	8	HZZ3-15422-000	TUBE, OIL	1	1	
E-2	9	H921-15611-000	CAP, OIL(YELLOW)	1	1	
E-2	10	HZZ3-16700-003	PUMP ASSY., FUEL	1	1	
E-2	11	HZZ3-16717-000	LIFTER, FUEL PUMP	1	1	
E-2	12	HZZ5-16900-003	STRAINER ASSY., FUEL	1	1	
E-2	13	HZZ5-16901-003	FILTER	1	1	
E-2	14	HZZ5-16906-003	FLOAT	1	1	
E-2	15	HZZ5-16912-003	CUP	1	1	
E-2	16	HZZ3-16915-000	SUSPENSION, STRAINER	1	1	
E-2	17	HZZ5-16918-003	O-RING	1	1	
E-2	18	HZZ5-16919-003	O-RING	1	1	
E-2	19	HZW9-19300-003	THERMOSTAT ASSY.	1	1	
E-2	20	HZW9-19315-000	COVER, THERMOSTAT	1	1	
E-2	21	HZW9-19317-000	O-RING, THERMOSTAT COVER	1	1	
E-2	22	HZZ3-19361-000	COVER, WATER JACKET	1	1	
E-2	23	HZZ3-19371-010	PACKING, EX. WATER JACKET COVER	1	1	
E-2	24	HZZ3-31908-003	PLUG, SPARK(LMAR6C-9)	3	3	
E-2	25	HZZ3-35655-003	SENSOR, OXYGEN	1	1	
E-2	26	HZY3-35673-003	SENSOR ASSY., WATER TEMPERATURE	1	1	
E-2	27	HZY9-35695-003	SENSOR ASSY., TDC	1	1	
E-2	28	HZW9-90003-000	BOLT, FLANGE, 6X22	2	2	
E-2	29	HZZ3-90003-000	BOLT, FLANGE, 8X90	1	1	

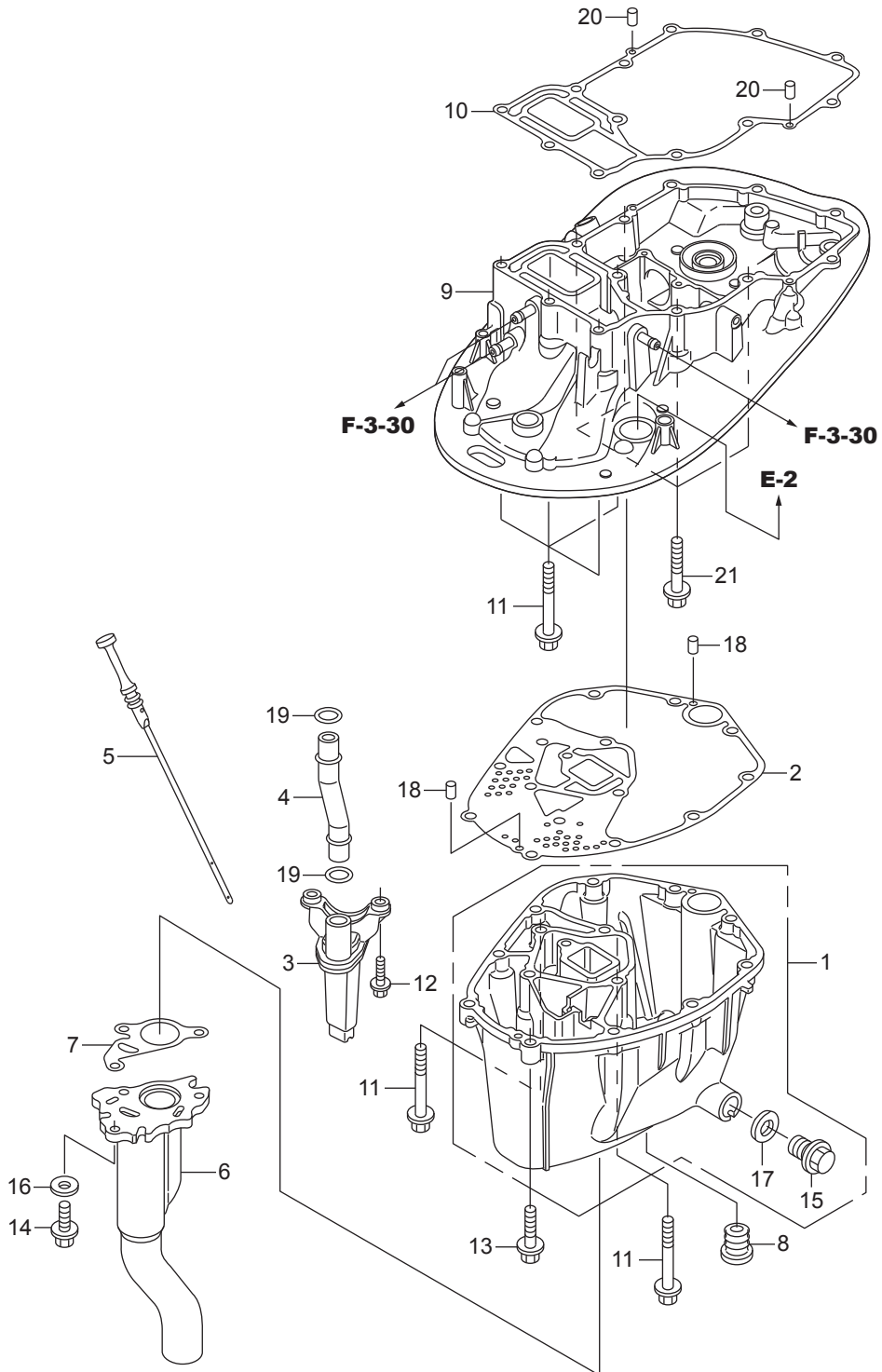


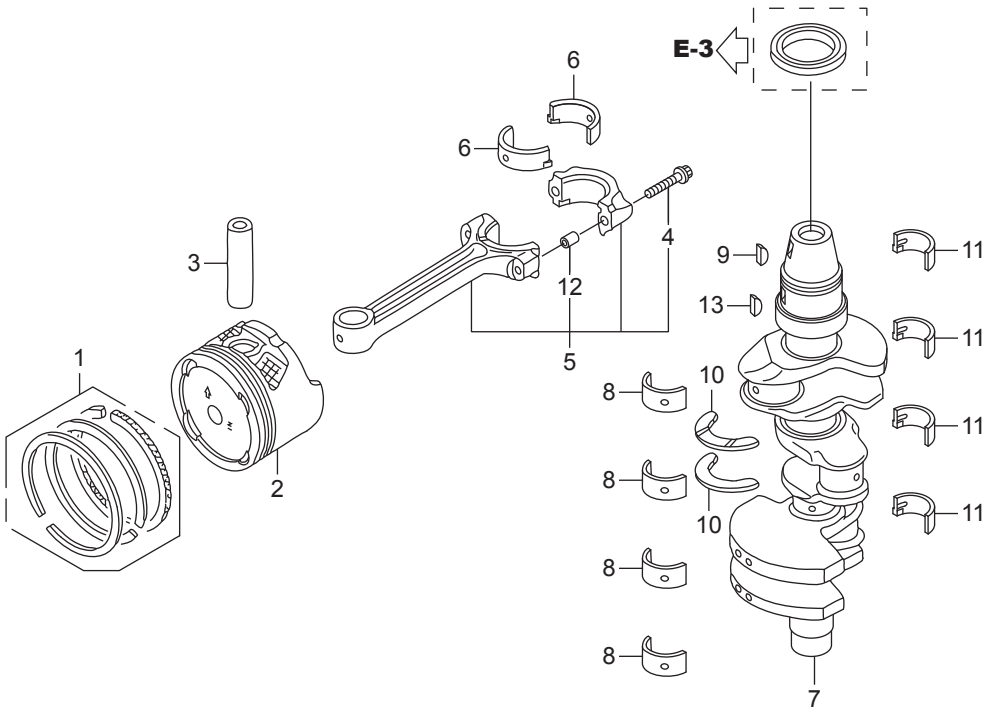


Ref.No.	Part No.	Description	Q'ty		Remarks	
			BFT60A	BFW60A		
E-3	1	HZZ3-11106-300	BOLT, SEALING, 24MM	1	1	
E-3	2	HPWA-11107-300	WASHER, SEALING, 24MM	1	1	
E-3	3	HZZ3-11911-000	HANGER, ENGINE	2	2	
E-3	4	HZZ3-12000-405ZA	BLOCK ASSY., CYLINDER	1	1	*NH8* DARK GRAY
E-3	5	HZZ3-12109-000	BOLT, BLOCK OIL DRAIN	1	1	
E-3	6	HZV5-12155-000	METAL, ANODE	1	1	
E-3	7	HPFB-15400-014	CARTRIDGE, OIL FILTER	1	1	(TOYO ROKI)
E-3	8	HZZ3-31750-003	RECTIFIER ASSY., REGULATOR	1	1	
E-3	9	HZZ3-31752-000	BRACKET A, REGULATOR COUPLER	1	1	
E-3	10	HZZ3-31754-000	PACKING, REGULATOR	1	1	
E-3	11	HZZ3-31756-000	BRACKET B, REGULATOR COUPLER	1	1	
E-3	12	HZZ3-35490-003	SWITCH ASSY., OIL PRESSURE	1	1	
E-3	13	HZY3-35673-003	SENSOR ASSY., WATER TEMPERATURE	1	1	
E-3	14	HZZ3-90001-003	BOLT-WASHER, 9X100	8	8	
E-3	15	HZW9-90011-000	BOLT, FLANGE, 6X14(CT200)	1	1	
E-3	16	HZV5-90012-013	BOLT, TIMING BELT ADJUSTING SPRING	1	1	
E-3	17	HZW9-90013-000	BOLT, FLANGE, 6X12	1	1	
E-3	18	H590-90015-000	HOLDER, OIL FILTER	1	1	
E-3	19	HZY3-90016-000	BOLT, FLANGE, 6X28	8	8	
E-3	20	HZY3-90017-000	BOLT, FLANGE, 6X16	4	4	
E-3	21	HZY3-90021-000	BOLT, FLANGE, 6X14	1	1	
E-3	22	HZY3-90030-000	BOLT, FLANGE, 6X22	3	3	
E-3	23	HZY3-90035-000	BOLT, FLANGE, 8X28	2	2	
E-3	24	HZY9-90201-000	NUT, FLANGE CAP, 8MM	2	2	
E-3	25	H397-90442-000	WASHER, SEALING, 6MM	1	1	
E-3	26	HPD2-90701-000	DOWEL PIN, 12X14	4	4	
E-3	27	HPW5-91204-005	OIL SEAL, 52X72X8(NOK)	1	1	
E-3	28	HME5-91304-003	O-RING, 5.1X2.2(ARAI)	1	1	
E-3	29	HPNA-91307-003	O-RING, 9.5X1.9	1	1	

FR. 

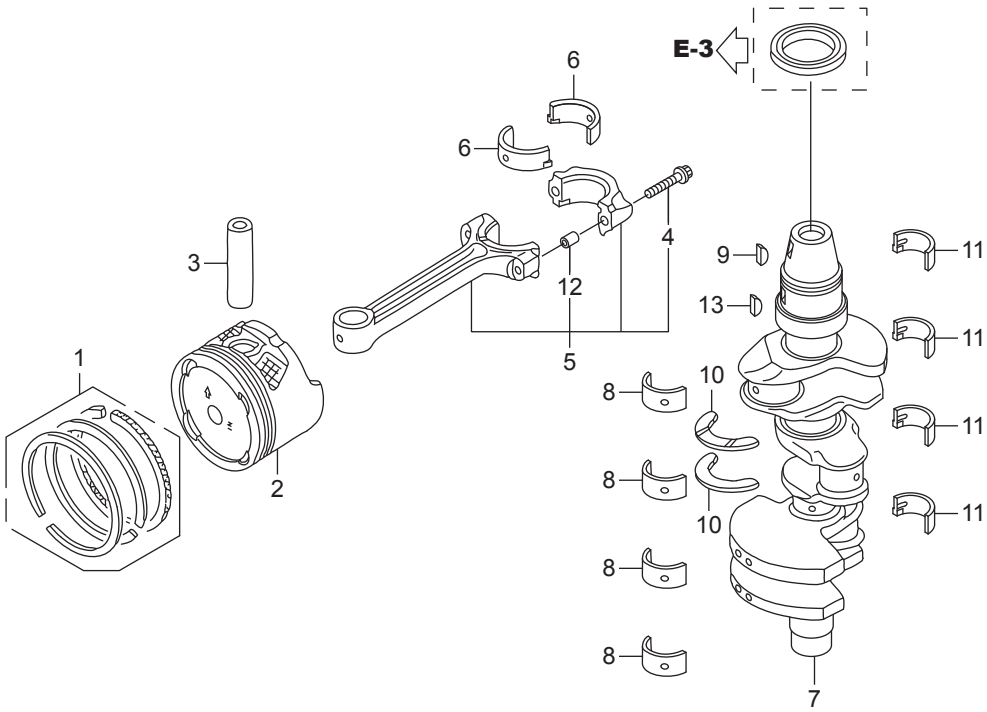




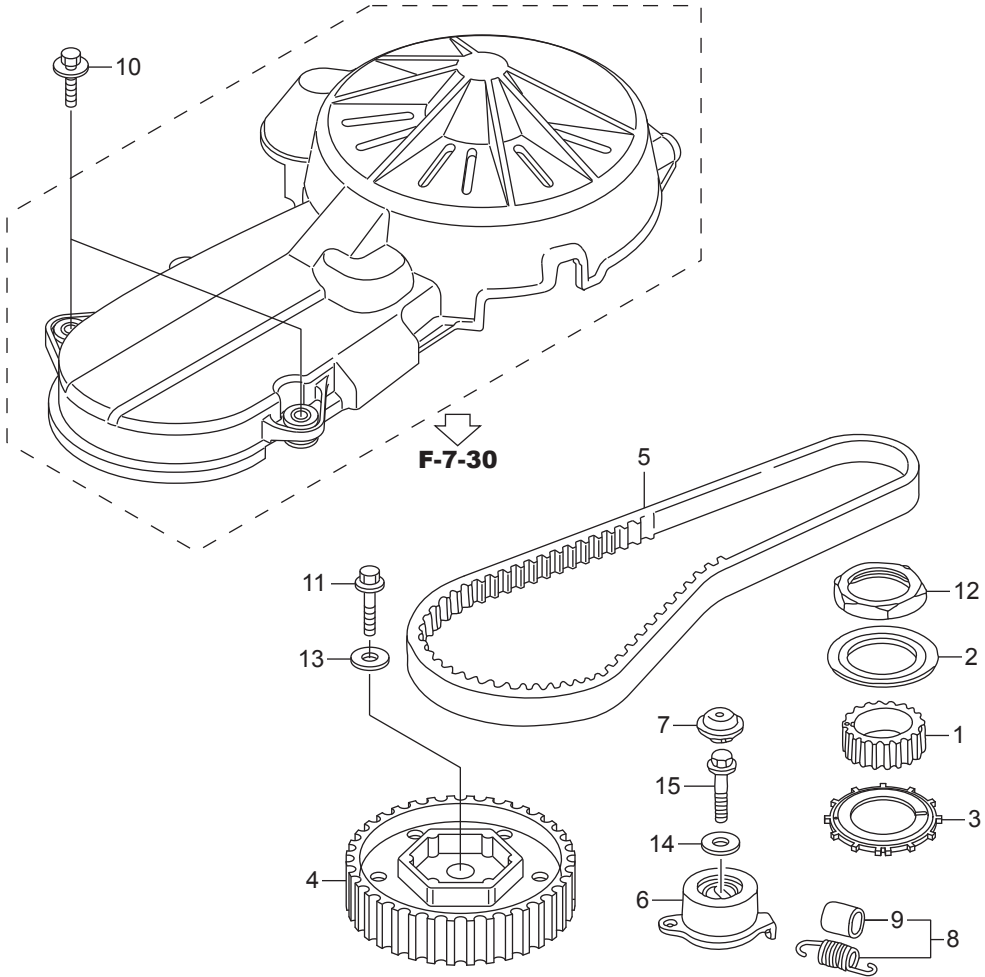


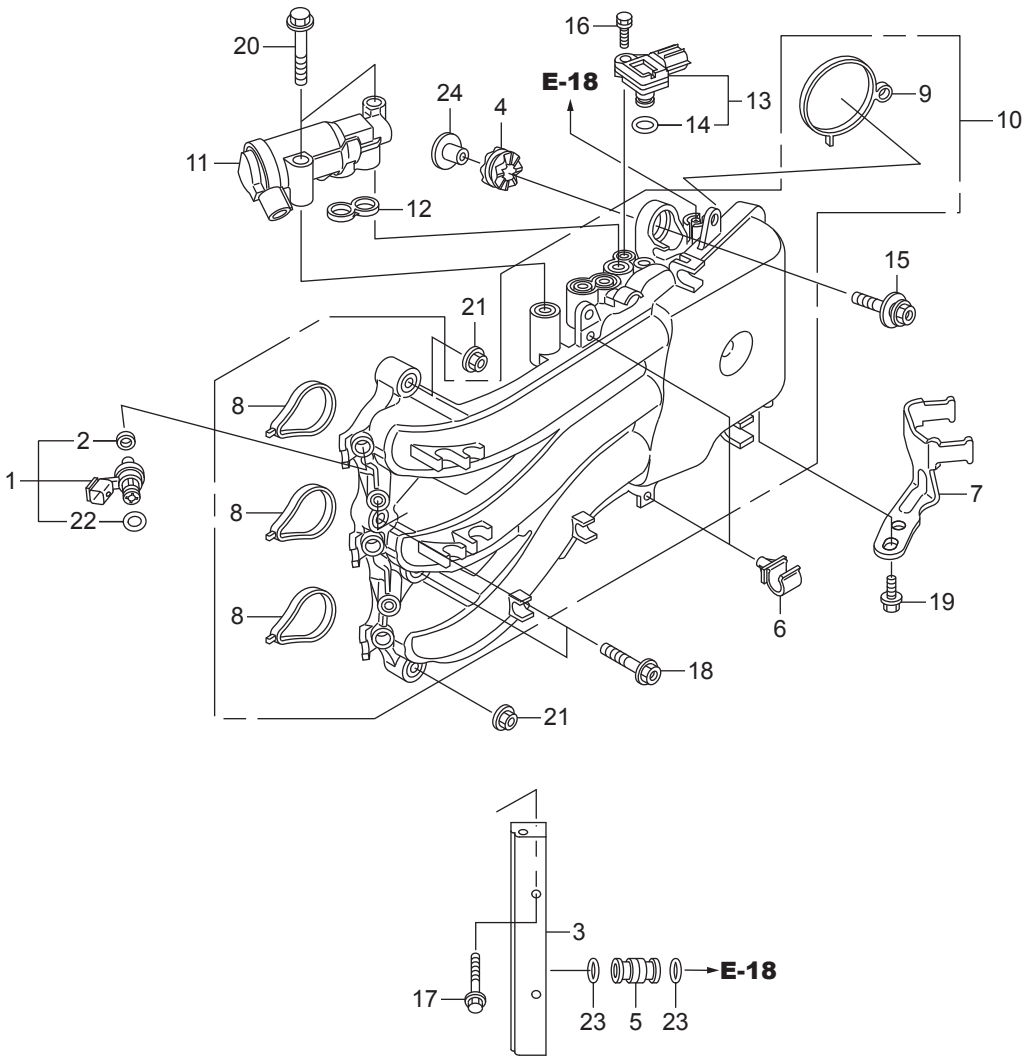
Ref.No.	Part No.	Description	Q'ty		Remarks	
			BFT60A	BFW60A		
E-7	1	HZZ3-13010-010	RING SET, PISTON(STD.)(RIKEN)	3	3	
E-7	2	HZZ3-13101-010	PISTON	3	3	
E-7	3	HPWA-13111-000	PIN, PISTON	3	3	
E-7	4	HPWA-13204-003	BOLT, CONNECTING ROD	6	6	
E-7	5	HZZ3-13210-000	ROD COMP., CONNECTING	3	3	
E-7	6	HPWA-13211-003	BEARING A, CONNECTING ROD (BLUE)	6	6	(DAIDO)
E-7	6	HPWA-13212-003	BEARING B, CONNECTING ROD (BLACK)	6	6	(DAIDO)
E-7	6	HPWA-13213-003	BEARING C, CONNECTING ROD (BROWN)	6	6	(DAIDO)
E-7	6	HPWA-13214-003	BEARING D, CONNECTING ROD (GREEN)	6	6	(DAIDO)
E-7	6	HPWA-13215-003	BEARING E, CONNECTING ROD (YELLOW)	6	6	(DAIDO)
E-7	6	HPWA-13216-003	BEARING F, CONNECTING ROD (PINK)	6	6	(DAIDO)
E-7	6	HPWA-13217-003	BEARING G, CONNECTING ROD(RED)	6	6	(DAIDO)
E-7	7	HZZ3-13311-000	CRANKSHAFT	1	1	
E-7	8	HPWA-13322-003	BEARING B, MAIN UPPER(BLACK)	4	4	(DAIDO)
E-7	8	HPWA-13323-003	BEARING C, MAIN UPPER(BROWN)	4	4	(DAIDO)
E-7	8	HPWA-13324-003	BEARING D, MAIN UPPER(GREEN)	4	4	(DAIDO)
E-7	8	HPWA-13325-003	BEARING E, MAIN UPPER(YELLOW)	4	4	(DAIDO)
E-7	8	HPWA-13326-003	BEARING F, MAIN UPPER(PINK)	4	4	(DAIDO)
E-7	8	HPWA-13327-003	BEARING G, MAIN UPPER(RED)	4	4	(DAIDO)
E-7	8	HPWA-13328-003	BEARING H, MAIN UPPER(WHITE)	4	4	(DAIDO)
E-7	9	H357-13331-000	KEY, SPECIAL WOODRUFF, 25X18	1	1	
E-7	10	HZZ3-13331-003	WASHER, THRUST	2	2	
E-7	11	HPWA-13342-003	BEARING B, MAIN LOWER(BLACK)	4	4	(DAIDO)
E-7	11	HPWA-13343-003	BEARING C, MAIN LOWER(BROWN)	4	4	(DAIDO)
E-7	11	HPWA-13344-003	BEARING D, MAIN LOWER(GREEN)	4	4	(DAIDO)
E-7	11	HPWA-13345-003	BEARING E, MAIN LOWER(YELLOW)	4	4	(DAIDO)
E-7	11	HPWA-13346-003	BEARING F, MAIN LOWER(PINK)	4	4	(DAIDO)
E-7	11	HPWA-13347-003	BEARING G, MAIN LOWER(RED)	4	4	(DAIDO)
E-7	11	HPWA-13348-003	BEARING H, MAIN LOWER(WHITE)	4	4	(DAIDO)

FR. 

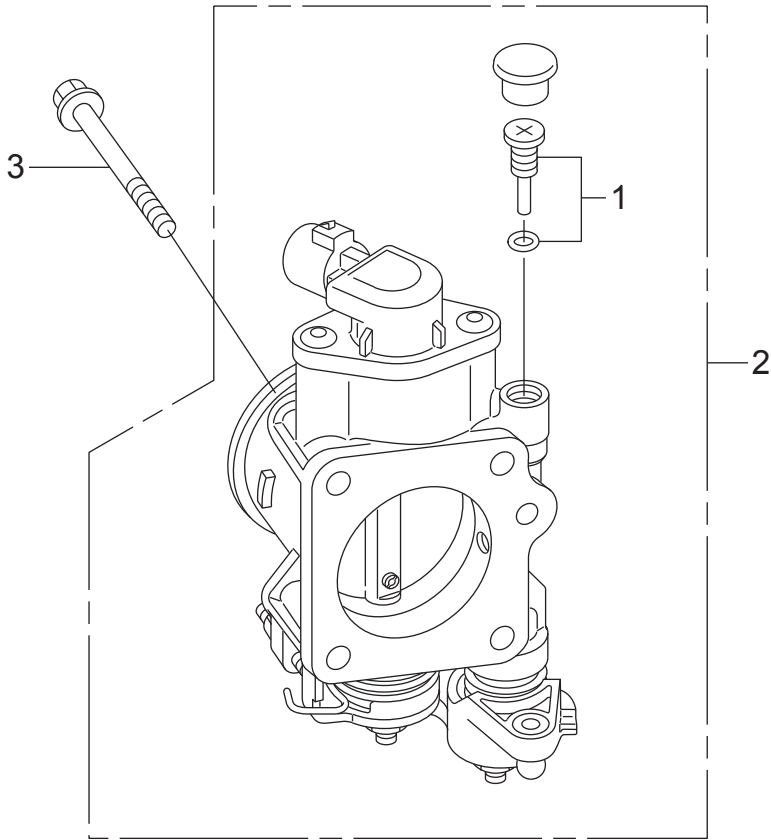


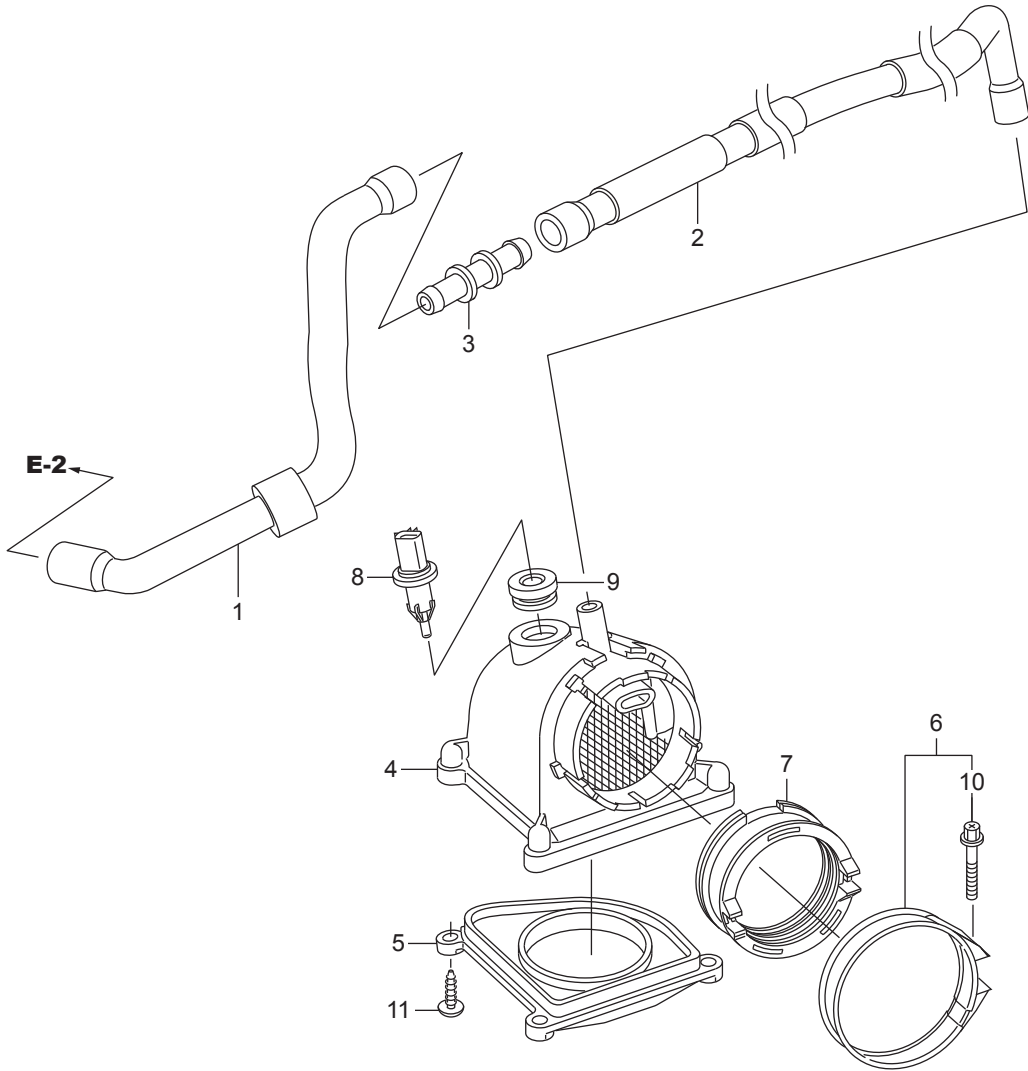
Ref.No.	Part No.	Description	Q'ty		Remarks	
			BFT60A	BFW60A		
E-9	1	HPZ1-12210-004	SEAL A, VALVE STEM(NOK)	6	6	
E-9	2	HPZ1-12211-004	SEAL B, VALVE STEM(NOK)	6	6	
E-9	3	HZZ3-14110-000	CAMSHAFT COMP.	1	1	
E-9	4	HZZ3-14221-003	PLATE, TDC PULSER	1	1	
E-9	5	HPWA-14222-004	BOLT, TDC PULSER PLATE	1	1	
E-9	6	HZY9-14430-000	ARM COMP., IN. VALVE ROCKER	3	3	
E-9	7	HZY9-14441-000	ARM COMP., EX. ROCKER(A)	3	3	
E-9	8	HZY9-14442-000	ARM COMP., EX. ROCKER(B)	3	3	
E-9	9	HZZ3-14631-000	SHAFT COMP., ROCKER	1	1	
E-9	10	HPWA-14647-000	WASHER, THRUST	9	9	
E-9	11	HPY3-14647-000	WASHER, IN. WAVE	3	3	
E-9	12	HPWC-14711-000	VALVE, IN.	6	6	
E-9	13	HRB0-14721-000	VALVE, EX.	6	6	
E-9	14	HPM3-14744-000	SCREW, TAPPET ADJUSTING	12	12	
E-9	15	HZY9-14751-003	SPRING, IN. VALVE	6	6	
E-9	16	HZY9-14752-003	SPRING, EX. VALVE	6	6	
E-9	17	HRGA-14765-000	RETAINER, VALVE SPRING	12	12	
E-9	18	HP08-14775-000	SEAT, VALVE SPRING	12	12	
E-9	19	HRGM-14781-A01	COTTER, VALVE(FUJI VALVE)	24	24	
E-9	20	HPWA-90006-003	BOLT, ROCKER ARM SHAFT	4	4	
E-9	21	HPM3-90206-004	NUT, TAPPET ADJUSTING	12	12	(TOKAI TRW)
E-9	22	HCO-96220-40080	ROLLER, 4X8	1	1	





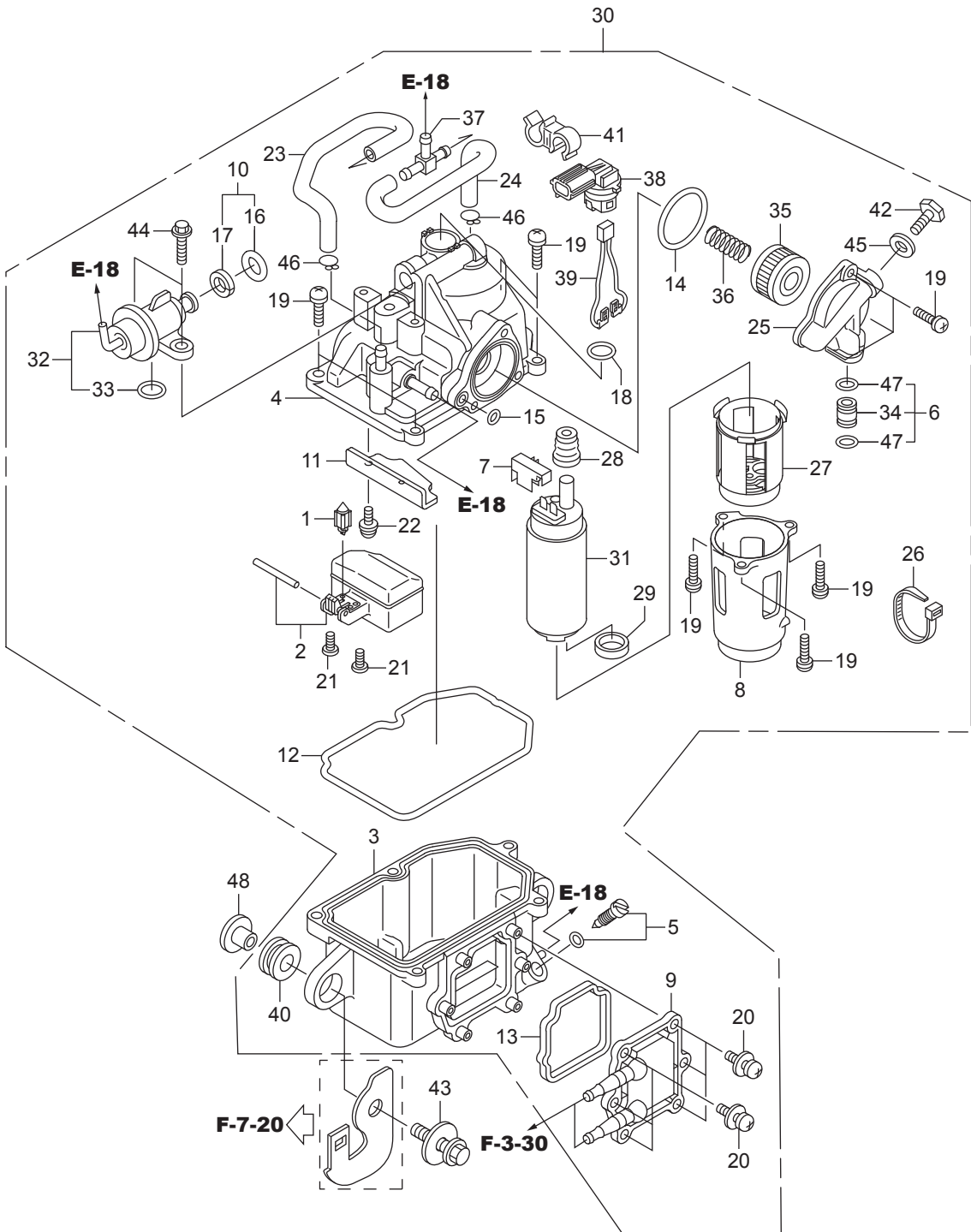
Ref.No.	Part No.	Description	Q'ty		Remarks	
			BFT60A	BFW60A		
E-14	1	HZZ3-16450-003	INJECTOR ASSY., FUEL	3	3	
E-14	2	HKPC-16472-D50	RING, SEAL	3	3	
E-14	3	HZZ5-16620-010	LINE COMP., FUEL	1	1	
E-14	4	HZW5-16733-000	GROMMET, VAPOR SEPARATOR	2	2	
E-14	5	HZY3-16752-A00	JOINT, FUEL PIPE	1	1	
E-14	6	HZY9-16896-003	CLAMP B, FUEL TUBE	2	2	
E-14	7	HZZ3-16914-000	STAY, FUEL STRAINER	1	1	
E-14	8	HZZ3-17105-000	PACKING, INTAKE MANIFOLD	3	3	
E-14	9	HZZ5-17107-003	PACKING, THROTTLE BODY	1	1	
E-14	10	HZZ3-17110-003	MANIFOLD COMP., INLET	1	1	
E-14	11	HZZ5-36550-003	VALVE ASSY., ELECTRONIC AIR CONTROL	1	1	
E-14	12	HZY6-36551-003	PACKING, ELECTRONIC AIR CONTROL VALVE	1	1	
E-14	13	HRNA-37830-A01	SENSOR ASSY., MAP	1	1	
E-14	14	HPGK-37835-A01	O-RING	1	1	
E-14	15	HZW1-90014-000	BOLT-WASHER, 8X35	2	2	
E-14	16	HZY3-90029-000	BOLT-WASHER, 5X18	1	1	
E-14	17	HZY3-90031-000	BOLT, FLANGE, 6X32	2	2	
E-14	18	HZY3-90036-000	BOLT, FLANGE, 8X32	2	2	
E-14	19	HZY3-90056-000	BOLT, FLANGE, 6X12	2	2	
E-14	20	HZW4-90126-000	BOLT, FLANGE, 8X45	2	2	
E-14	21	HZY3-90205-000	NUT, FLANGE, 8MM	2	2	
E-14	22	HKPH-91301-701	O-RING, 7.3X2.2	3	3	
E-14	23	HMJ0-91301-003	O-RING, 7.8X1.9(ARAD)	2	2	
E-14	24	HZW1-91554-000	COLLAR, 8.5X14.5	2	2	





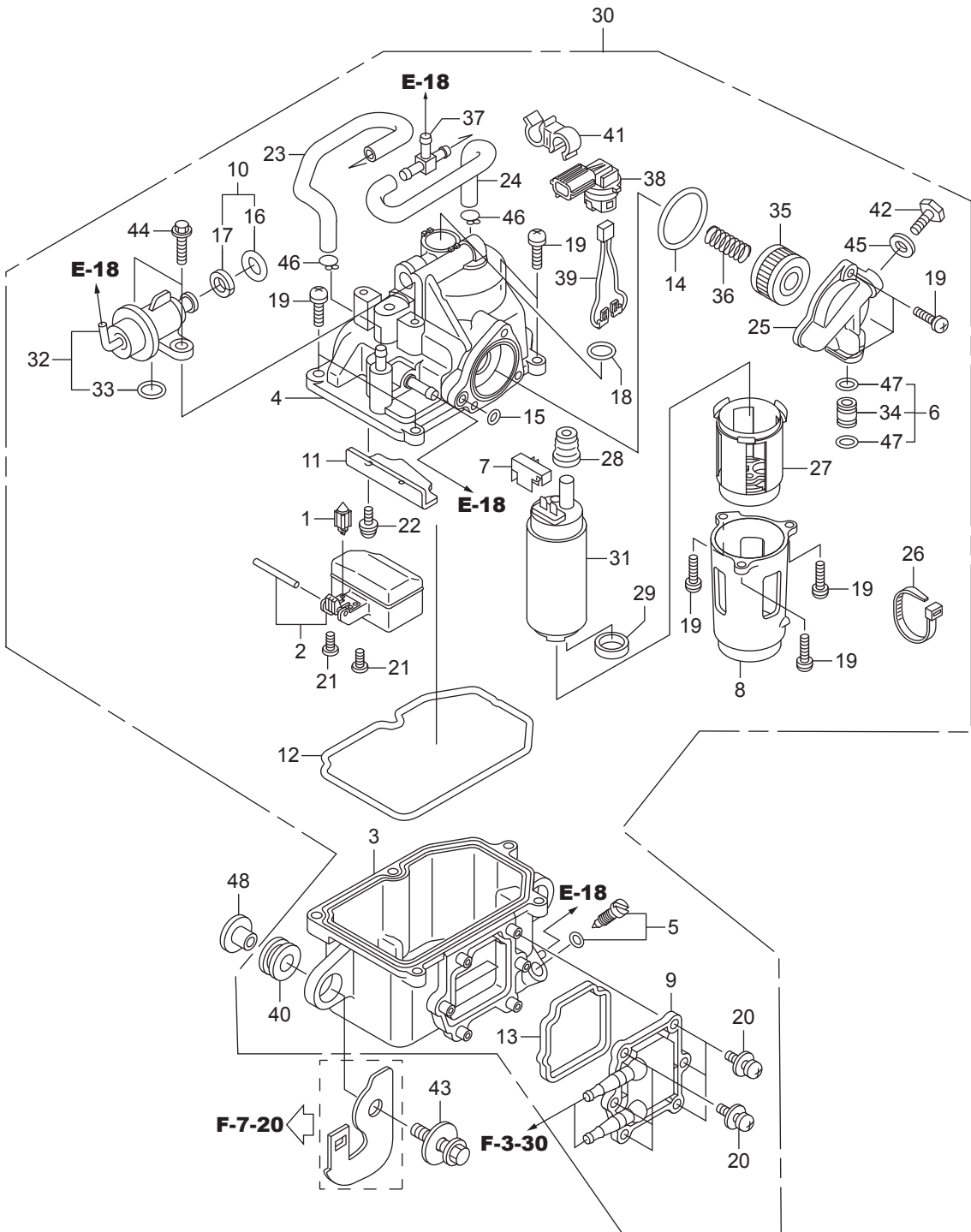
Ref.No.	Part No.	Description	Q' ty		Remarks	
			BFT60A	BFW60A		
E-18	1	HMCG-15562-000	CLAMP, OIL HOSE	1	1	
E-18	2	HZZ3-16192-000	TUBE COMP., DRAIN	1	1	
E-18	3	HZY9-16196-000	TUBE B, CHECK VALVE	1	1	
E-18	4	HZZ3-16197-000	TUBE C, AIR VENT	1	1	
E-18	5	HZZ3-16198-000	TUBE D, AIR VENT	1	1	
E-18	6	HZZ3-16199-000	TUBE E, AIR VENT	1	1	
E-18	7	HRMA-16723-E00	JOINT, FUEL FEED HOSE	1	1	
E-18	8	HZZ3-16748-000	TUBE, PRESSURE REGULATOR CONTROL	1	1	
E-18	9	HZZ3-16755-003	HOSE COMP., FUEL	1	1	
E-18	10	HZZ3-16816-000	BRACKET, TUBE CLAMP	1	1	
E-18	11	HZZ3-16850-A01	TUBE COMP. A, FUEL	1	1	
E-18	12	HZZ3-16865-A00	TUBE COMP. B, FUEL	1	1	
E-18	13	HZZ3-16866-A00	TUBE D, FUEL	1	1	
E-18	14	HZZ3-16871-A00	TUBE C, FUEL	1	1	
E-18	15	HZZ3-16895-003	CLAMP, AIR VENT TUBE	2	2	
E-18	16	HZY9-16896-003	CLAMP B, FUEL TUBE	2	2	
E-18	17	HZV4-16910-015	STRAINER COMP., FUEL	1	1	
E-18	18	HMCT-16961-010	JOINT, THREE WAY	1	1	
E-18	19	HPY3-17439-A01	CLAMP, TUBE(7.5-11.5)(BLACK)	1	1	
E-18	20	HZY6-36135-003	VALVE, CHECK	1	1	
E-18	21	HSE0-53740-953	CLIP, SENSOR HOSE	3	3	
E-18	22	HZW9-90011-000	BOLT, FLANGE, 6X14(CT200)	1	1	
E-18	23	HHW1-90205-670	BOLT, FLANGE, 6X25	2	2	
E-18	24	HZV0-90604-000	CLIP, TUBE(B12)	7	7	
E-18	25	HZW5-90652-003	CLAMP, 6MM-12MM	1	1	
E-18	26	HMB1-90655-921	CLIP, WIRE	1	1	
E-18	27	HSZ5-91531-003	CLIP, TUBE, 3.5	1	1	
E-18	28	HCO-95001-55035-40	TUBE, FUEL, 5.3X35	1	1	(HC-95001-55001-60M)

FR. →

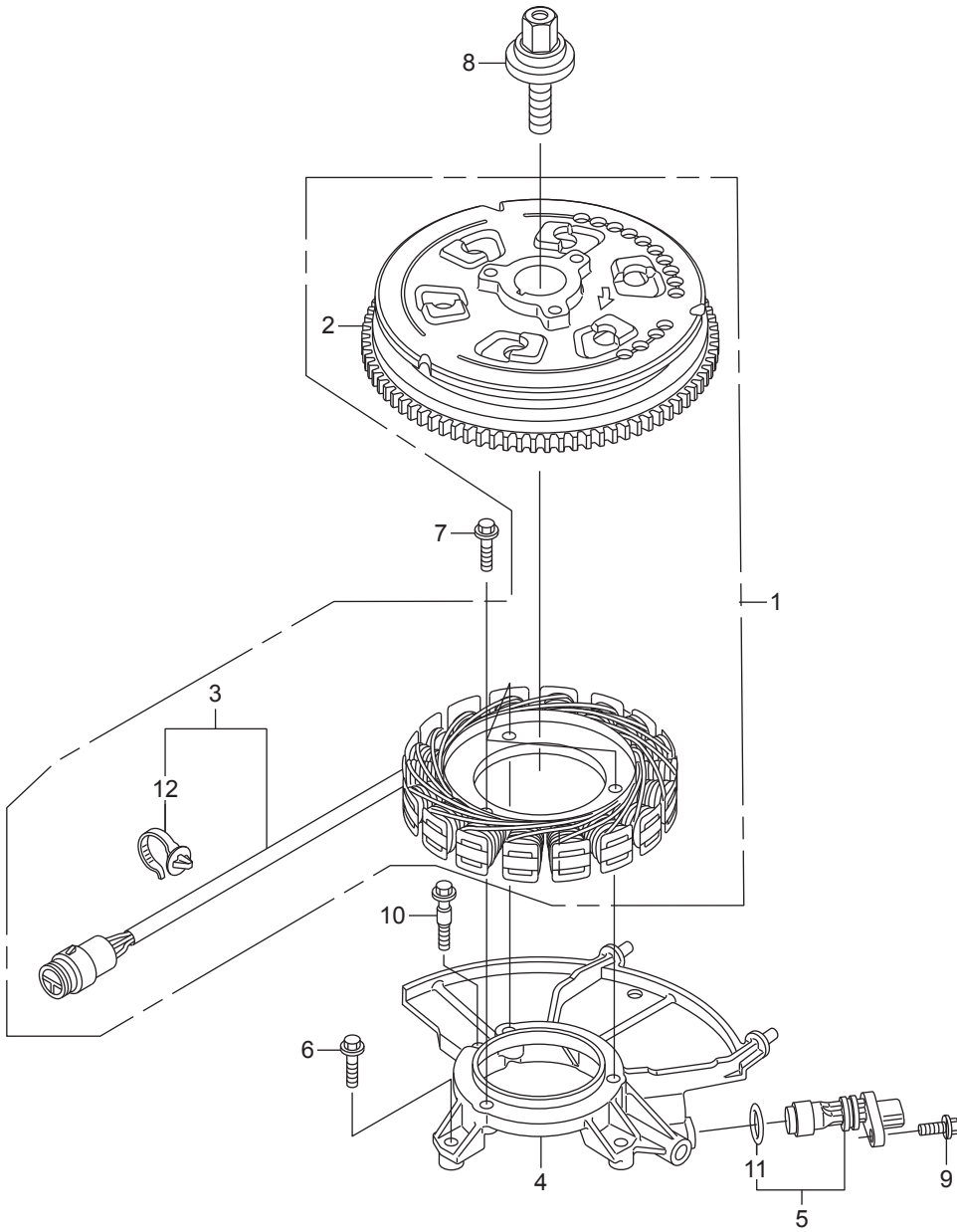


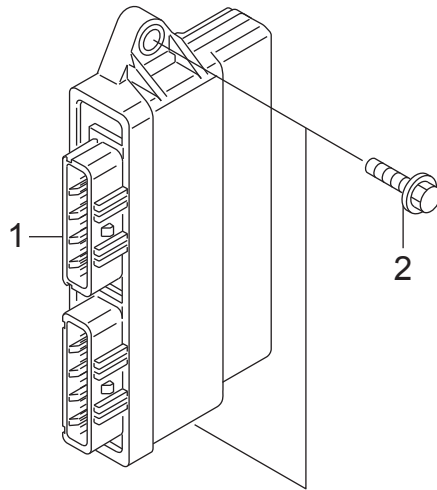
Ref.No.	Part No.	Description	Q' ty		Remarks	
			BFT60A	BFW60A		
E-18-10	1	HZY3-16011-A01	VALVE SET, FLOAT	1	1	
E-18-10	2	HZZ5-16013-003	FLOAT SET	1	1	
E-18-10	3	HZZ3-16019-003	BODY	1	1	
E-18-10	4	HZZ3-16020-003	COVER COMP.	1	1	
E-18-10	5	HZY3-16024-000	SCREW SET, DRAIN	1	1	
E-18-10	6	HZY3-16026-000	JOINT SET	1	1	
E-18-10	7	HZZ5-16041-003	COVER	1	1	
E-18-10	8	HZZ5-16042-003	HOLDER	1	1	
E-18-10	9	HZZ5-16061-003	COVER, WATER JACKET	1	1	
E-18-10	10	HZZ5-16063-003	SEAL SET	1	1	
E-18-10	11	HZZ5-16064-003	PLATE	1	1	
E-18-10	12	HZZ5-16066-003	O-RING	1	1	
E-18-10	13	HZZ5-16072-003	PACKING	1	1	
E-18-10	14	HZZ5-16073-003	O-RING	1	1	
E-18-10	15	HZZ5-16074-003	O-RING	1	1	
E-18-10	16	HZZ5-16075-003	O-RING	1	1	
E-18-10	17	HZZ5-16076-003	RING, BACKUP	1	1	
E-18-10	18	HZZ5-16077-003	O-RING	1	1	
E-18-10	19	HZW5-16081-010	SCREW-WASHER	11	11	
E-18-10	20	HZY9-16081-003	SCREW-WASHER	6	6	
E-18-10	21	HZY3-16082-000	SCREW, PAN	2	2	
E-18-10	22	HZY3-16083-000	SCREW, WASHER	1	1	
E-18-10	23	HZZ3-16195-000	TUBE A, AIR VENT	1	1	
E-18-10	24	HZZ3-16196-000	TUBE B, AIR VENT	1	1	
E-18-10	25	HZZ3-16708-003	COVER	1	1	
E-18-10	26	HZZ5-16709-003	BAND	1	1	
E-18-10	27	HZZ5-16718-003	INSULATOR COMP.	1	1	
E-18-10	28	HZY9-16721-003	INSULATOR	1	1	
E-18-10	29	HZY6-16723-003	RING	1	1	

FR. →



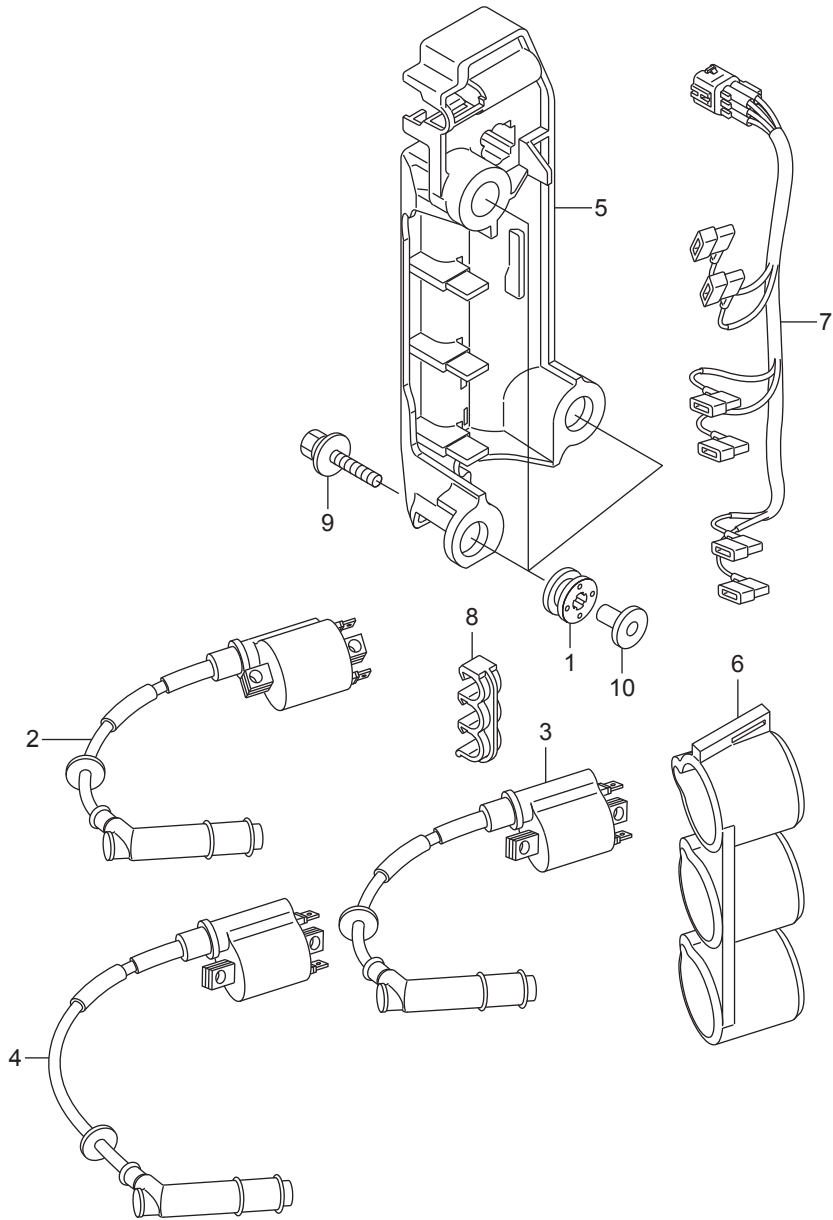
FR. 

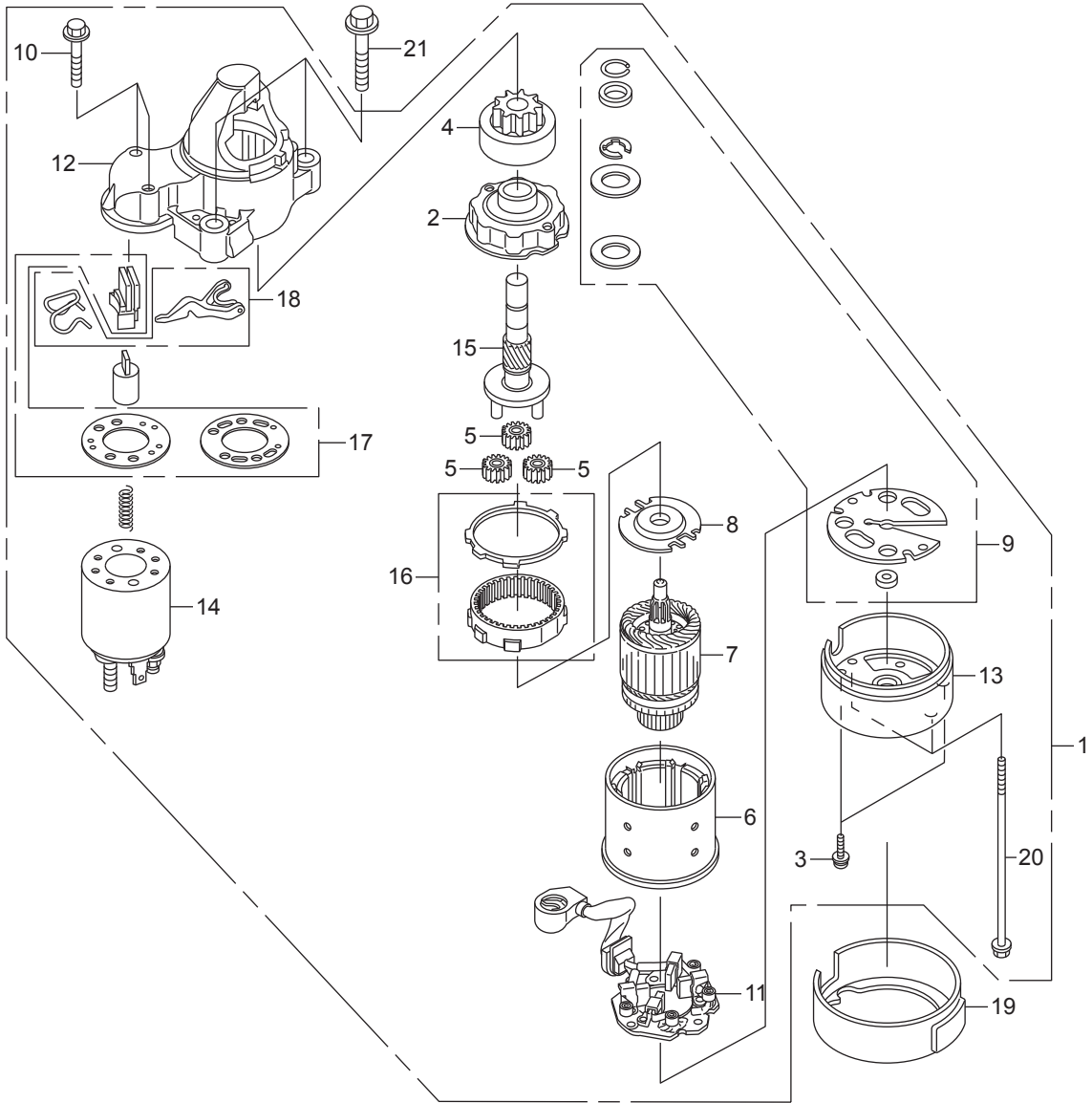


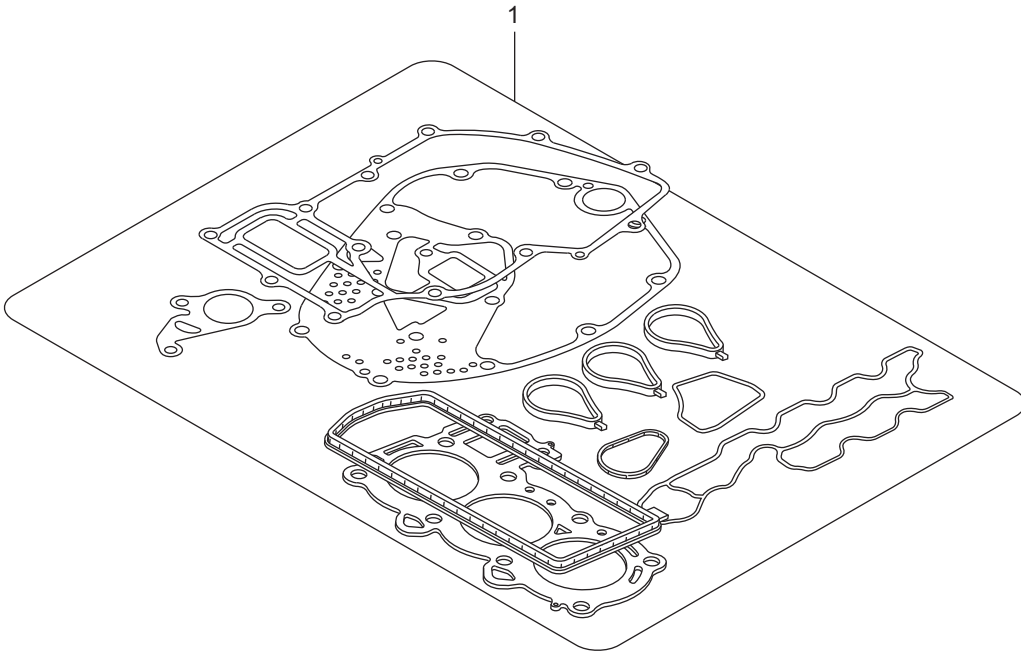


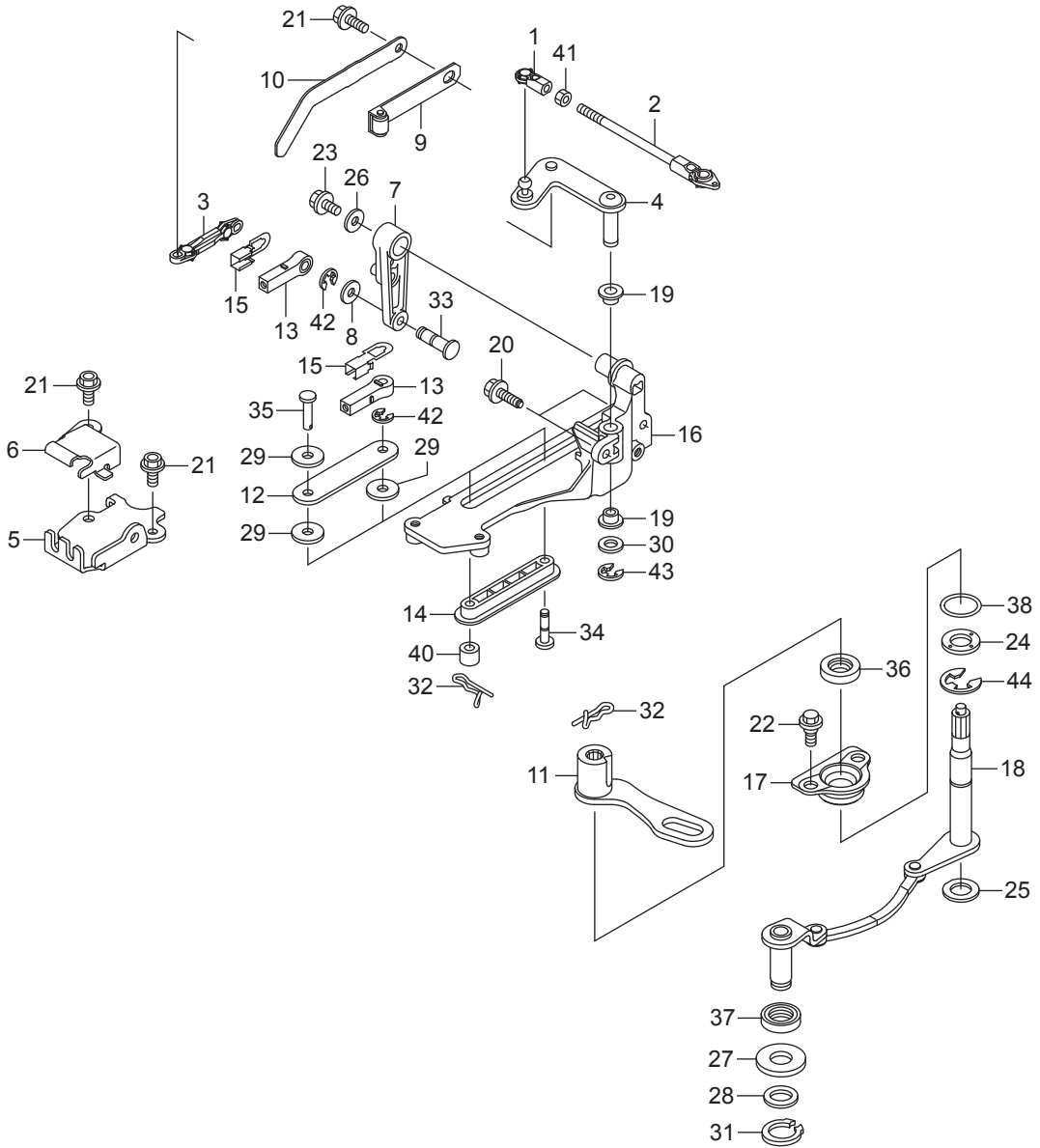
←FR.

FR. 



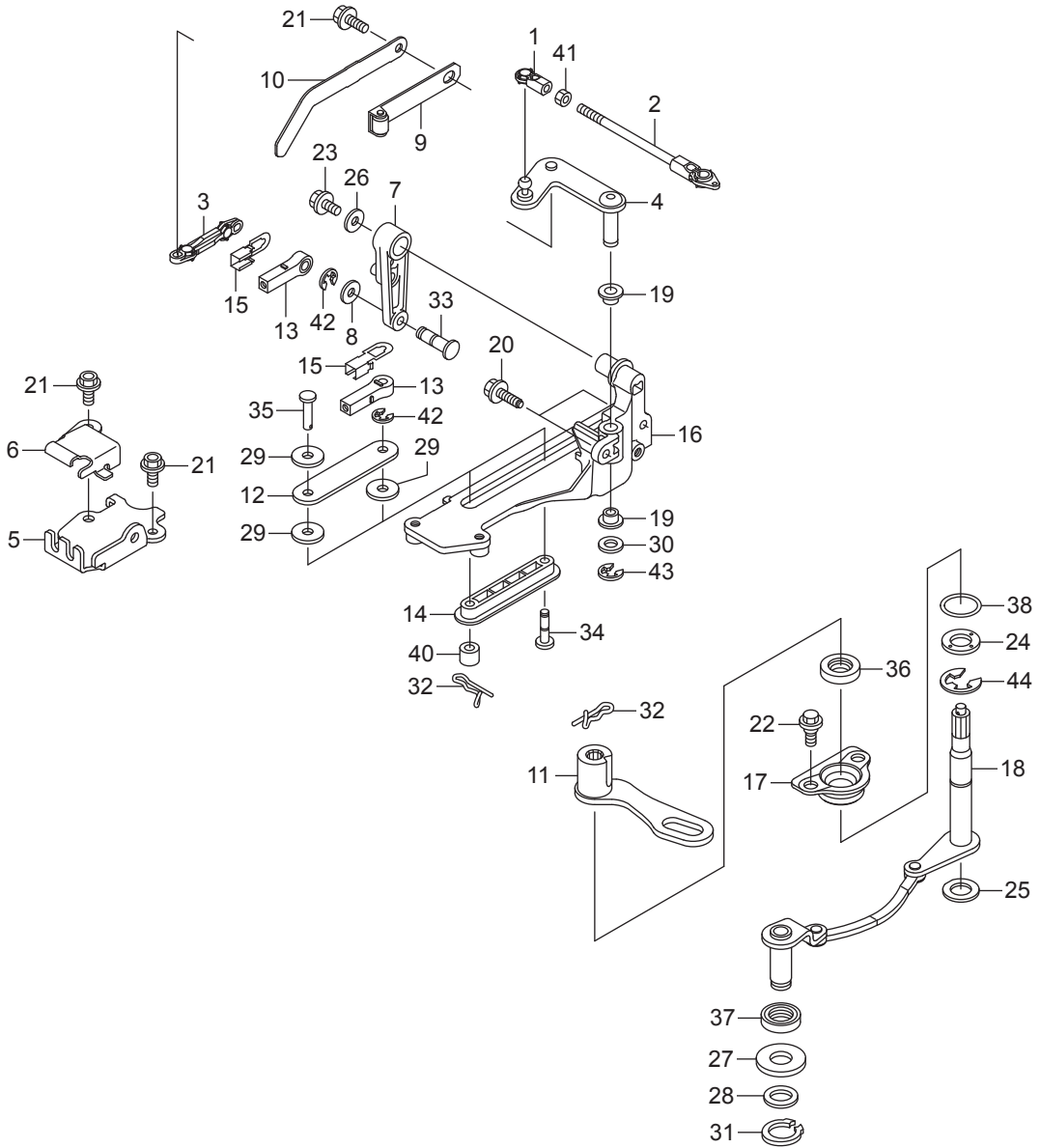




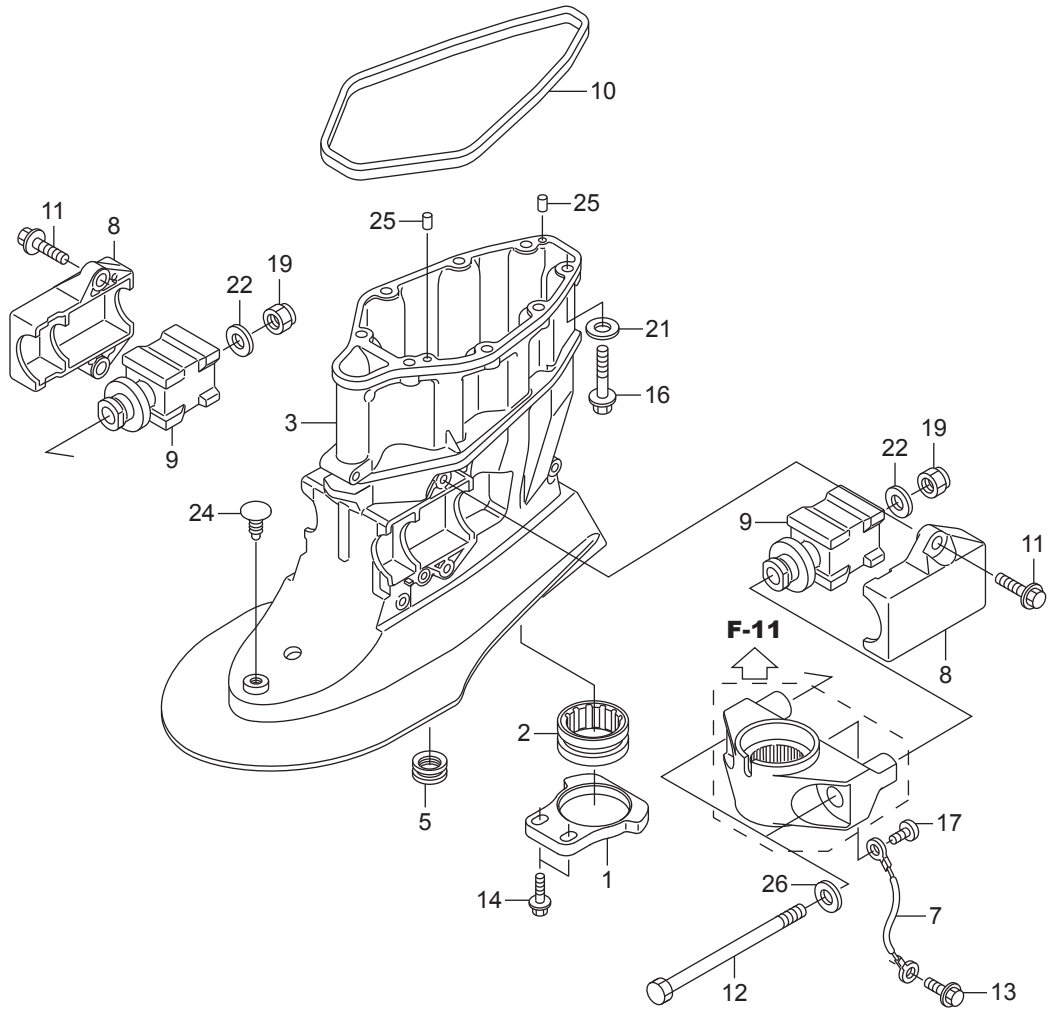


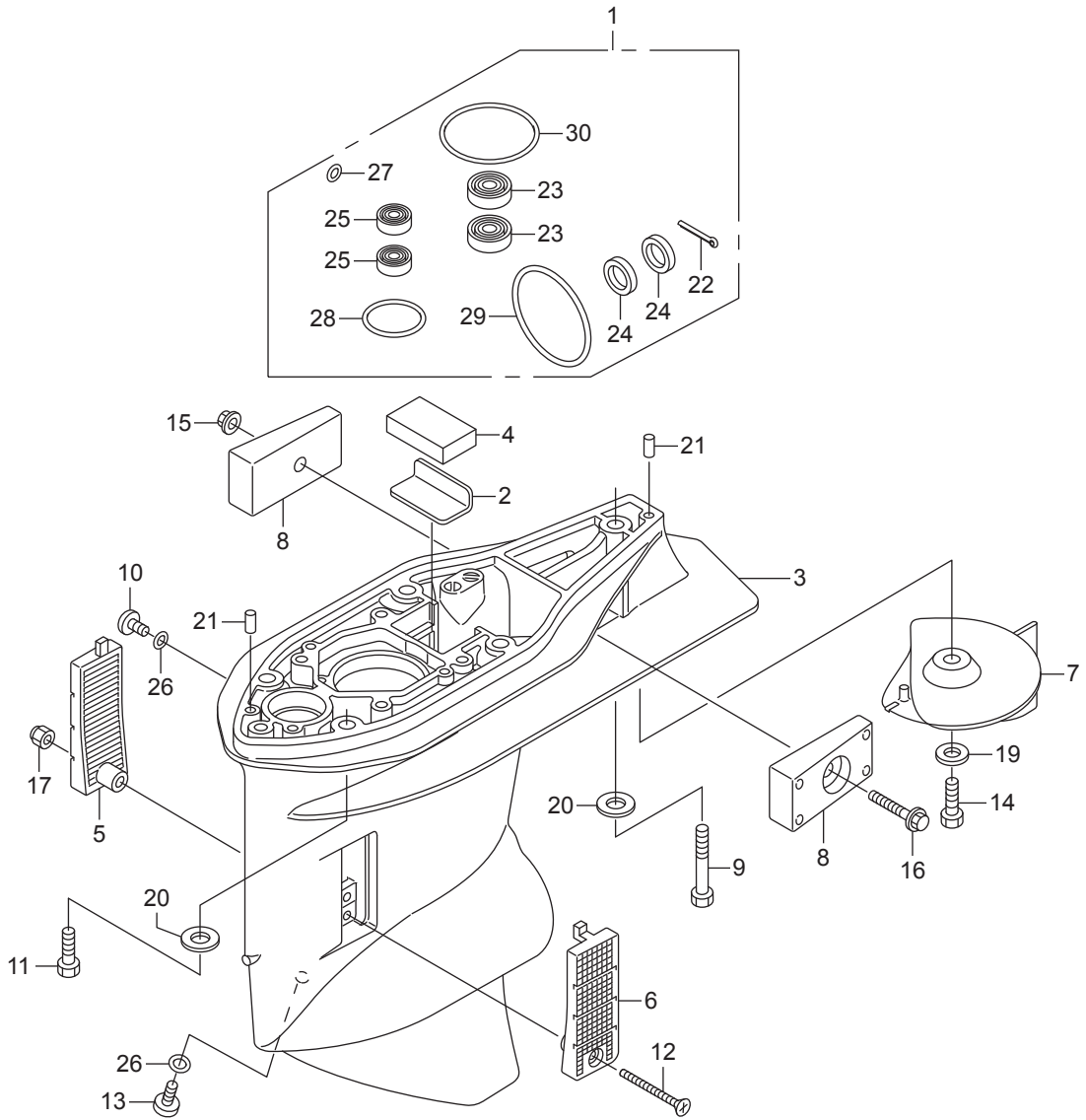
FR.

Ref.No.	Part No.	Description	Q' ty		Remarks	
			BFT60A	BFW60A		
F-2	1	HZV5-17838-000	LINKAGE, PIVOT	1	1	
F-2	2	HZZ3-17840-000	ROD COMP., THROTTLE	1	1	
F-2	3	HZY6-17845-000	LINK, THROTTLE	1	1	
F-2	4	HZZ3-17860-000	PLATE COMP., THROTTLE	1	1	
F-2	5	HZY9-17877-000	PLATE, REMOTE CONTROL CABLE	1	1	
F-2	6	HZY9-17878-000	COVER, REMOTE CONTROL CABLE	1	1	
F-2	7	HZY6-17931-000	ARM, THROTTLE	1	1	
F-2	8	H921-17936-000	WASHER, PIVOT	1	1	
F-2	9	HZW1-24210-010	SPRING COMP., CLICK	1	1	
F-2	10	HZY9-24221-000	SPRING, CLICK ASSIST	1	1	
F-2	11	HZY9-24612-000	ARM, SHIFT	1	1	
F-2	12	HZY9-24614-000	PLATE, SHIFT PIVOT	1	1	
F-2	13	HZY3-24618-000	PIVOT, SHIFT	2	2	
F-2	14	HZY9-24618-000	PIVOT, SHIFT SLIDE	1	1	
F-2	15	HZY3-24619-000	PLATE, LOCK	2	2	
F-2	16	HZY9-24628-000	BRACKET, SHIFT LINK	1	1	
F-2	17	HZW1-24629-000	HOLDER, SEAL	1	1	
F-2	18	HZZ3-24630-000	SHAFT COMP., SHIFT	1	1	
F-2	19	HZY3-63205-000	BUSH A, COVER LOCK	2	2	
F-2	20	HZV0-90017-C10	BOLT, FLANGE, 6X18(CT200)	2	2	
F-2	21	HZY3-90017-000	BOLT, FLANGE, 6X16	3	3	
F-2	22	HZW5-90023-000	BOLT, FLANGE, 6X11	2	2	
F-2	23	HZY3-90056-000	BOLT, FLANGE, 6X12	1	1	
F-2	24	HGET-90429-000	WASHER, SIDE, 14MM	1	1	
F-2	25	HZW5-90501-000	WASHER, SHIFT SHAFT	1	1	
F-2	26	HZY3-90508-000	WASHER, PLAIN, 6MM	1	1	
F-2	27	HZY9-90508-000	WASHER, 14MM	1	1	
F-2	28	HZY9-90509-000	WASHER, 13MM	1	1	
F-2	29	HZW9-90517-000	WASHER, NYLON, 8MM	3	3	



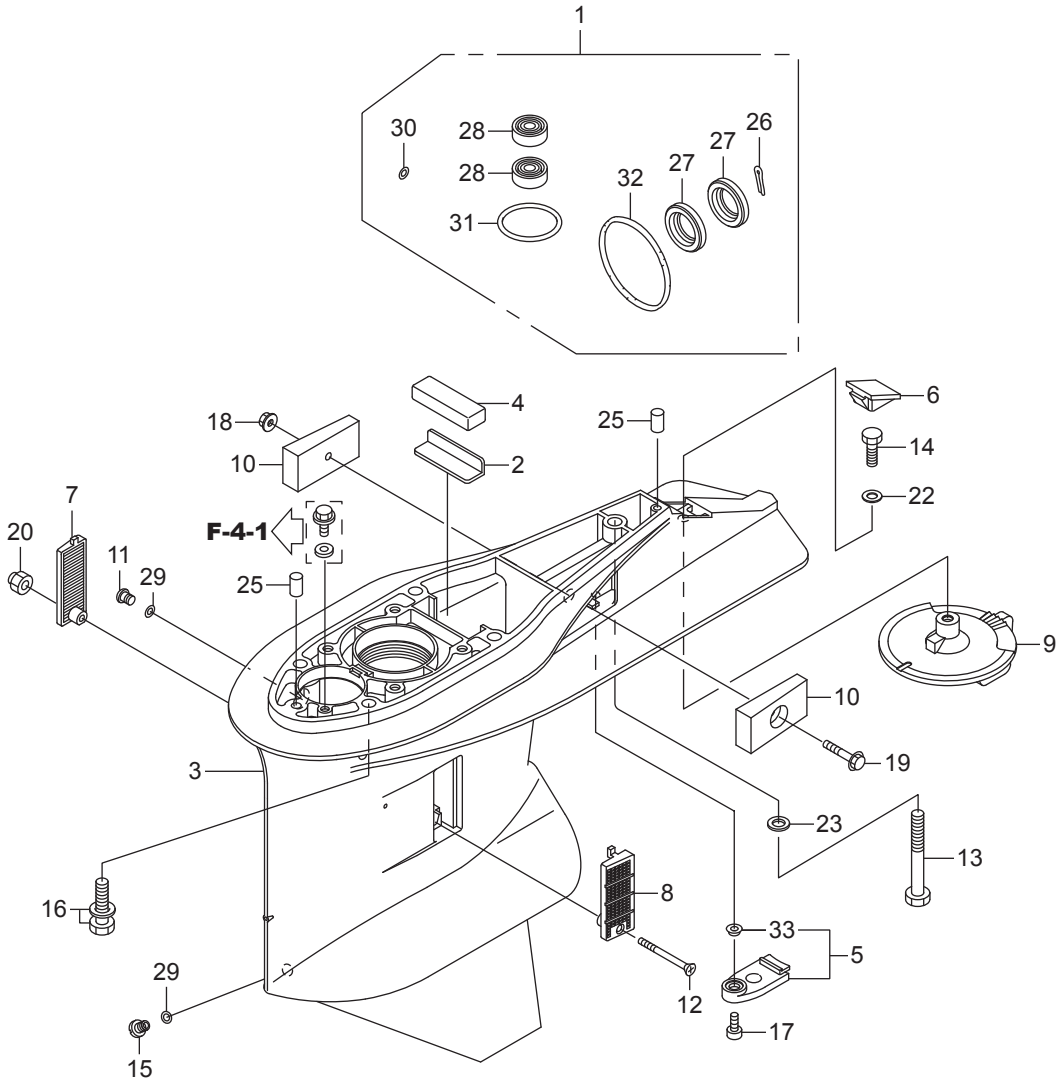
FR.





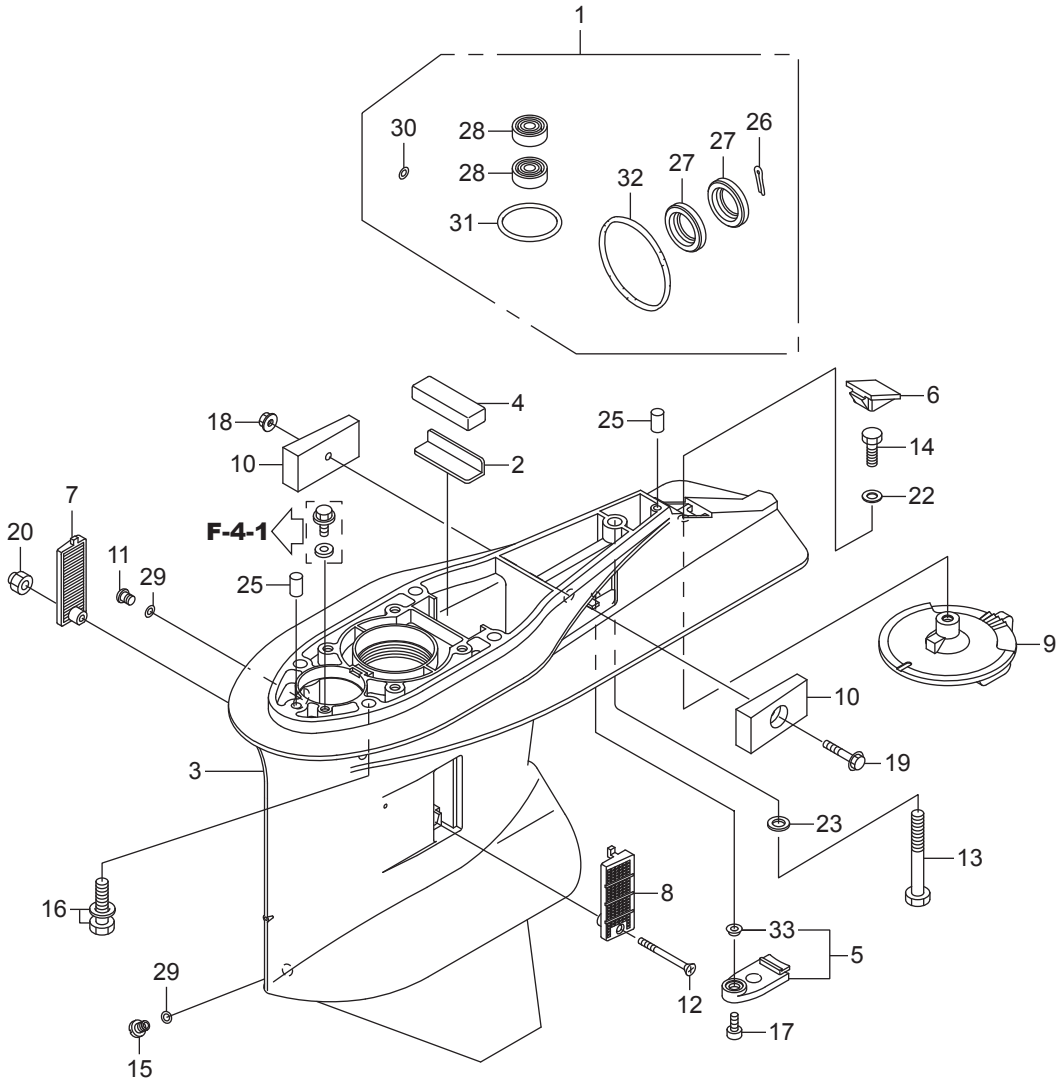
FR.

Ref.No.	Part No.	Description	Q' ty		Remarks
			BFT60A	BFW60A	
F-3-10	1	HZZ3-06125-000	CASE KIT, GEAR	1	
F-3-10	2	HZZ3-19286-000	PLATE, RUBBER SETTING	1	
F-3-10	3	HZZ3-41101-000ZD	CASE, GEAR	1	*T107* BAY BLUE
F-3-10	4	HZZ3-41102-000	GROMMET, GEAR CASE	1	
F-3-10	5	HZZ3-41104-010	SCREEN, R. WATER	1	
F-3-10	6	HZZ3-41105-010	SCREEN, L. WATER	1	
F-3-10	7	HZZ5-41107-000ZD	TAB, TRIM	1	*T107* BAY BLUE
F-3-10	8	HZW1-41109-B00	METAL COMP., ANODE	2	
F-3-10	9	HZY3-90015-000	BOLT, HEX., 10X60	1	
F-3-10	10	HZW9-90101-003	BOLT, OIL CHECK	1	
F-3-10	11	HZY3-90103-000	BOLT, HEX., 10X32	4	
F-3-10	12	HZZ3-90103-000	SCREW, FLAT, 5X37	1	
F-3-10	13	HZY3-90120-000	BOLT, DRAIN PLUG	1	
F-3-10	14	HZV5-90126-000	BOLT, HEX., 8X20	1	
F-3-10	15	HZY1-90205-000	NUT, SELF-LOCK, 6MM	1	
F-3-10	16	HHW1-90206-671	BOLT, FLANGE, 6X30	1	
F-3-10	17	HZV4-90302-000	NUT, SELF-LOCK, 5MM	1	
F-3-10	19	HZV4-90507-000	WASHER, PLAIN, 8MM	1	
F-3-10	20	HZV5-90563-000	WASHER, PLAIN, 10MM	5	
F-3-10	21	HZV5-90756-000	DOWEL PIN, 6X10	2	
F-3-10	22	HZV5-90758-000	PIN, SPLIT, 4.0	1	
F-3-10	23	HZZ3-91251-003	SEAL, WATER, 17X36X6	2	
F-3-10	24	HZW4-91252-003	SEAL, WATER, 22X35X7	2	
F-3-10	25	HZY3-91254-003	SEAL, WATER, 12X21X6	2	
F-3-10	26	HZW4-91301-003	O-RING, 6.9X1.45	2	
F-3-10	27	HZW4-91301-003	O-RING, 6.9X1.45	2	
F-3-10	28	HZZ3-91351-000	O-RING, 33.7X3.5	1	
F-3-10	29	HZZ3-91352-000	O-RING, 76.5X3	1	
F-3-10	30	HMB0-91359-000	O-RING, 58.5X3.5	1	

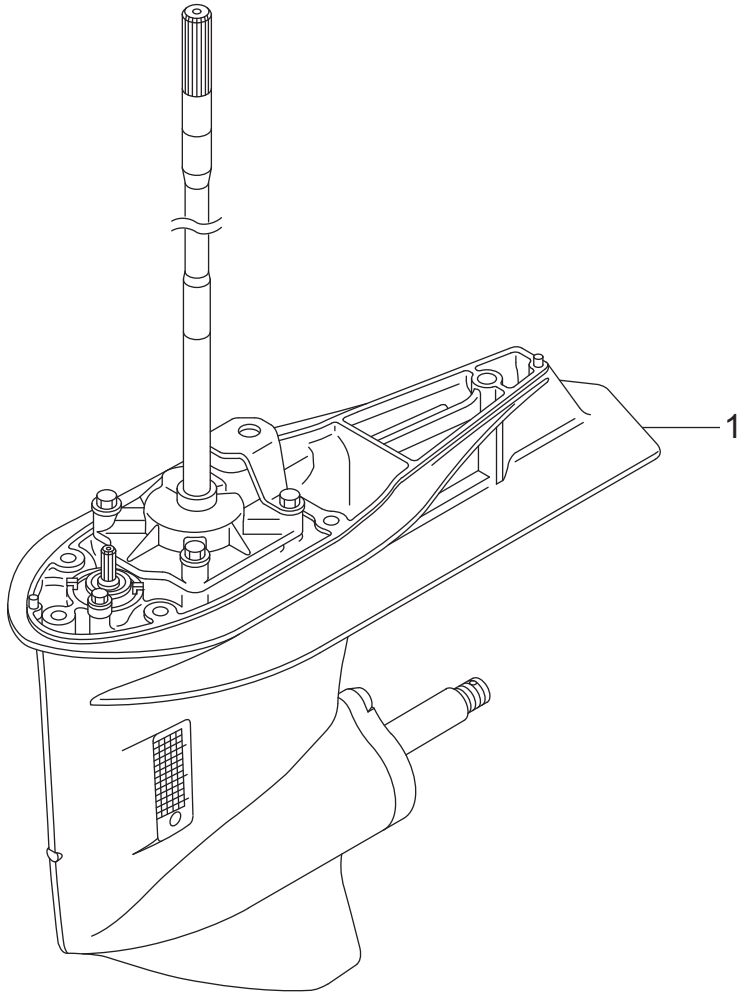


FR.

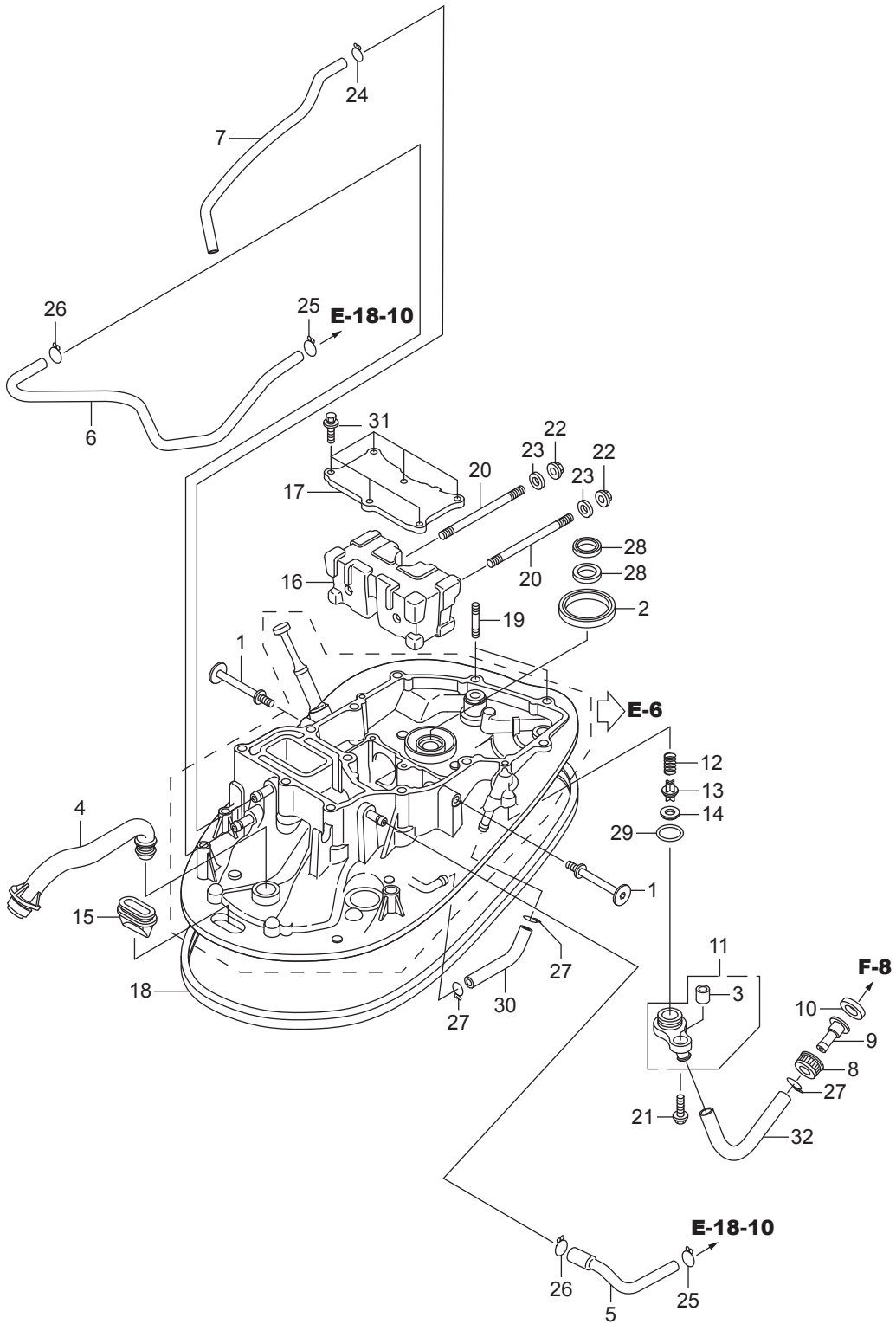
Ref.No.	Part No.	Description	Q'ty		Remarks
			BFT60A	BFW60A	
F-3-11	1	HZZ3-06125-E00		1	
F-3-11	2	HZW1-19286-B00		1	
F-3-11	3	HZZ0-41101-000ZD		1	*T107* BAY BLUE ~7000036
F-3-11	3	HZY9-41101-H00ZB		1	*T107* BAY BLUE 7000037~
F-3-11	4	HZW1-41102-B00		1	
F-3-11	5	HZZ0-41102-000		1	
F-3-11	6	HZZ0-41103-000		1	
F-3-11	7	HZZ0-41104-010		1	
F-3-11	8	HZZ0-41105-010		1	
F-3-11	9	HZZ0-41107-000ZD		1	*T107* BAY BLUE
F-3-11	10	HZW1-41109-B00		2	
F-3-11	11	HZW9-90101-003		1	
F-3-11	12	HZZ0-90101-000		1	
F-3-11	13	HZW1-90104-900		1	
F-3-11	14	HZV5-90115-000		1	
F-3-11	15	HZY3-90120-000		1	
F-3-11	16	HZY6-90123-000		4	
F-3-11	17	HZY3-90133-000		1	
F-3-11	18	HZY1-90205-000		1	
F-3-11	19	HHW1-90225-670		1	
F-3-11	20	HZV4-90302-000		1	
F-3-11	22	HZV4-90507-000		1	
F-3-11	23	HZV5-90563-000		1	
F-3-11	25	HZV5-90756-000		2	
F-3-11	26	HZW1-90758-B00		1	
F-3-11	27	HZZ3-91252-003		2	
F-3-11	28	HZY3-91254-003		2	
F-3-11	29	HZW4-91301-003		2	
F-3-11	30	HZW4-91301-003		2	



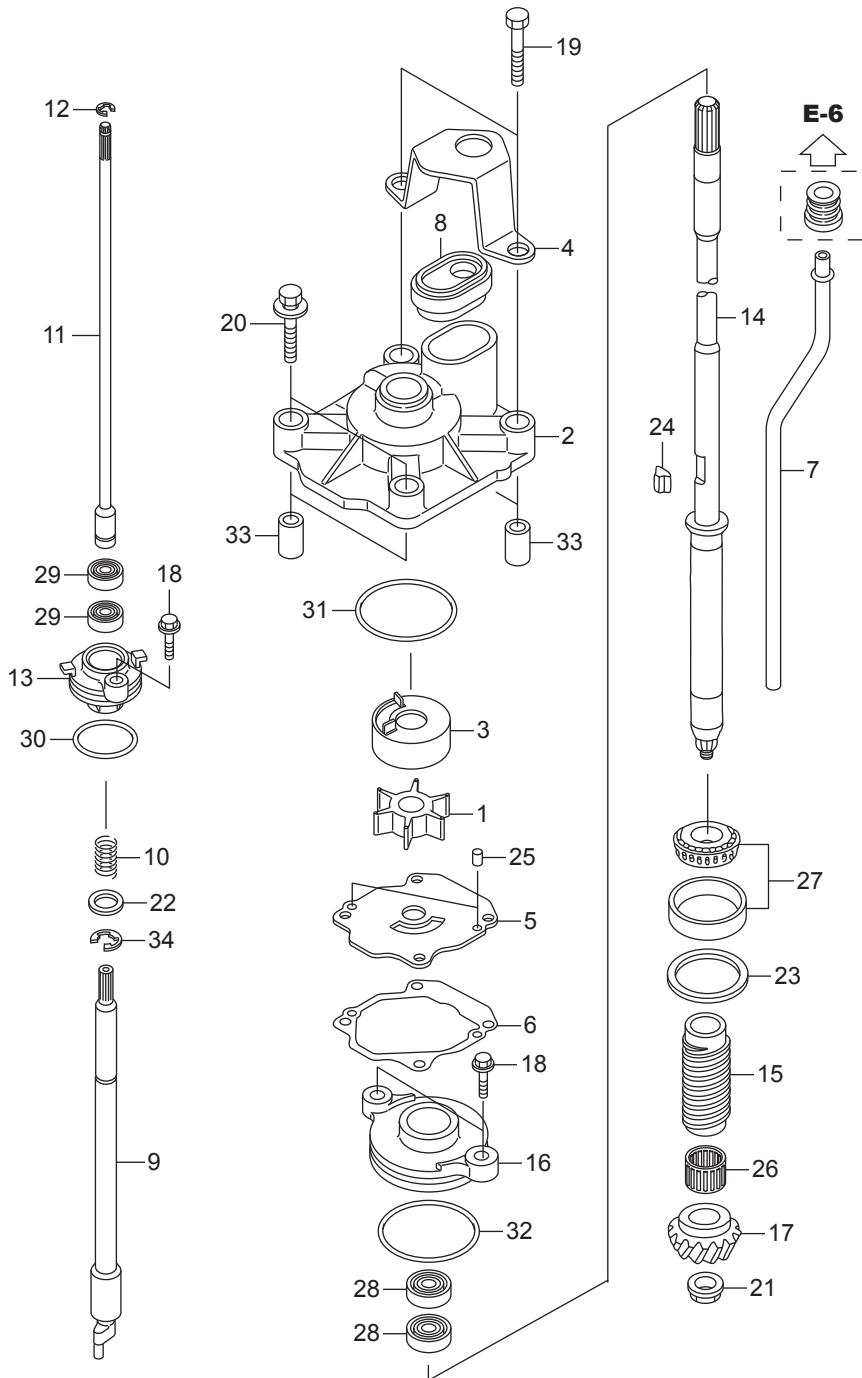
FR.



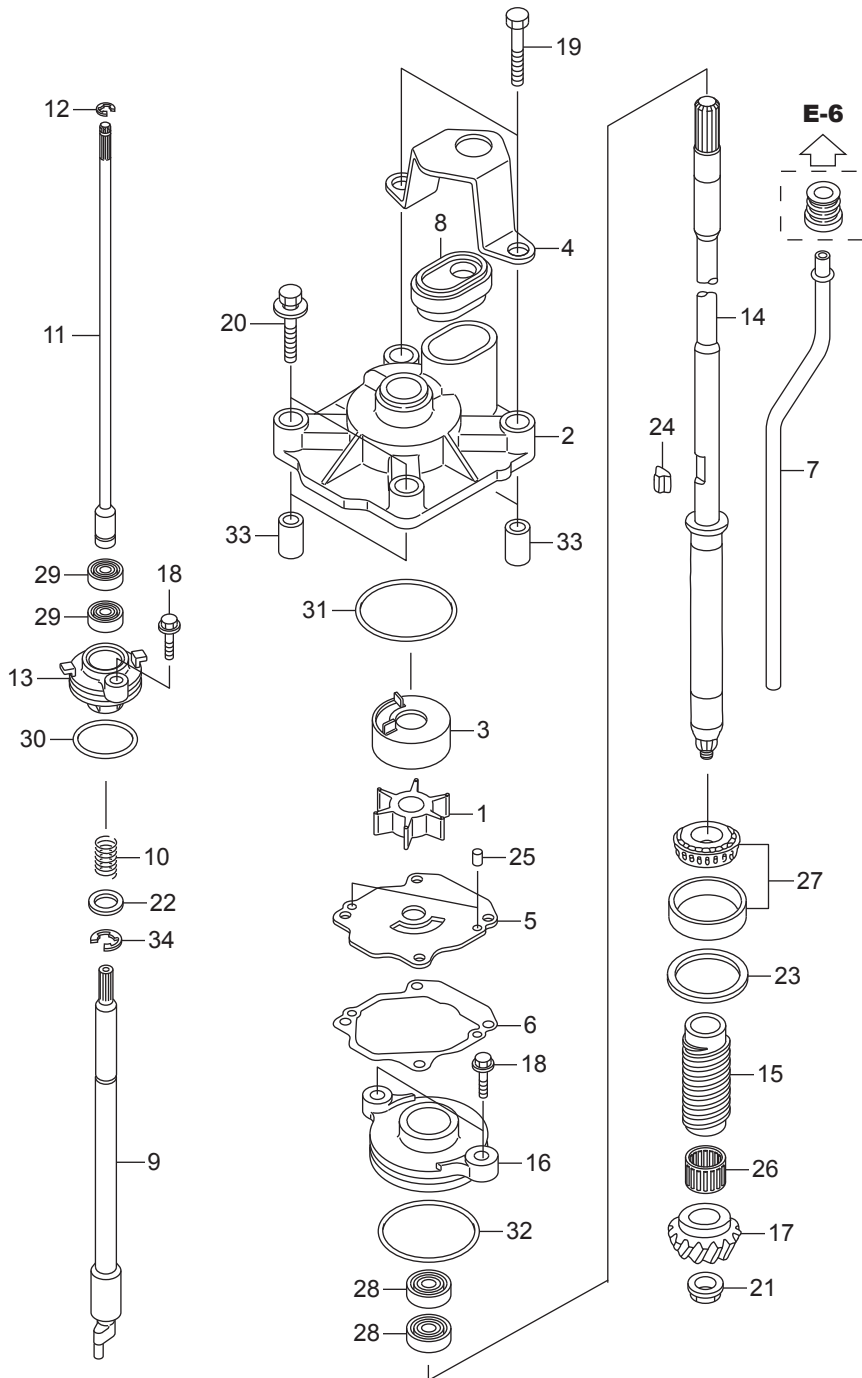
FR.

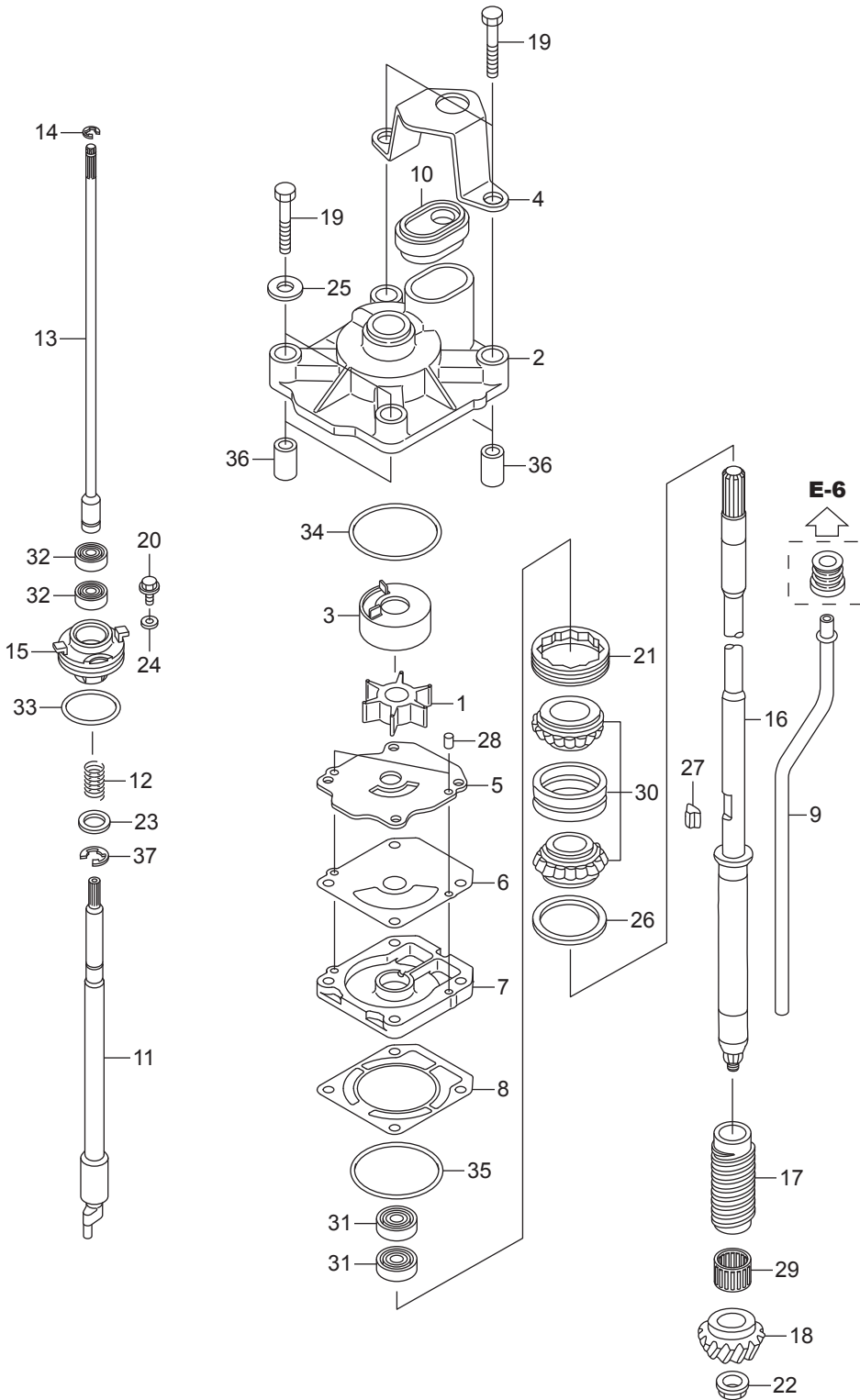


Ref.No.	Part No.	Description	Q' ty		Remarks	
			BFT60A	BFW60A		
F-3-30	1	HZZ3-12166-000	STOPPER, ENGINE SIDE	2	2	
F-3-30	2	HZY3-15113-000	RUBBER, OIL PUMP	1	1	
F-3-30	3	HZV5-17202-310	COLLAR, DISTANCE, 6.5X11X7.5	1	1	
F-3-30	4	HZZ3-18211-000	PORT, IDLE EXHAUST	1	1	
F-3-30	5	HZZ3-19255-000	TUBE A, WATER	1	1	
F-3-30	6	HZZ3-19256-000	TUBE B, WATER	1	1	
F-3-30	7	HZZ3-19257-000	TUBE C, WATER	1	1	
F-3-30	8	HZY3-19270-000	NUT, WATER MOUTH	1	1	
F-3-30	9	HZY3-19271-000	JOINT, WATER HOSE	1	1	
F-3-30	10	HZY3-19272-000	SEAT, WATER MOUTH	1	1	
F-3-30	11	HZZ3-19277-000	COVER, FLUSH VALVE	1	1	
F-3-30	12	HZW9-19279-010	SPRING, FLUSH VALVE	1	1	
F-3-30	13	HZW9-19291-000	VALVE, FLASH	1	1	
F-3-30	14	HZW9-19297-000	PACKING, FLASH VALVE	1	1	
F-3-30	15	HZY3-23173-010	RUBBER, MOUNT CASE SEAL	1	1	
F-3-30	16	HZZ3-50151-000	MOUNT COMP., UPPER RUBBER	1	1	
F-3-30	17	HZZ3-50166-000	COVER, UPPER MOUNT	1	1	
F-3-30	18	HZZ3-63718-000	SEAL A, COVER UNDER	1	1	
F-3-30	19	HZY6-90043-000	BOLT, STUD 2, 8X25	2	2	
F-3-30	20	HZZ3-90101-000	BOLT, STUD, 10X125	2	2	
F-3-30	21	HZW9-90105-000	BOLT, FLANGE, 6X20	1	1	
F-3-30	22	HZW4-90306-003	NUT, FLANGE, 10MM	2	2	
F-3-30	23	HZW4-90501-000	WASHER, PLAIN, 10MM	2	2	
F-3-30	24	HZV4-90603-000	CLIP, TUBE(B10)	1	1	
F-3-30	25	HZV0-90604-000	CLIP, TUBE(B12)	2	2	
F-3-30	26	HZV4-90605-000	CLIP, TUBE(B12.5)	2	2	
F-3-30	27	HZY6-90651-000	CLIP B1, TUBE	3	3	
F-3-30	28	HZW2-91251-F01	SEAL, WATER, 17X26X7	2	2	
F-3-30	29	H800-91303-000	O-RING, 16MM	1	1	



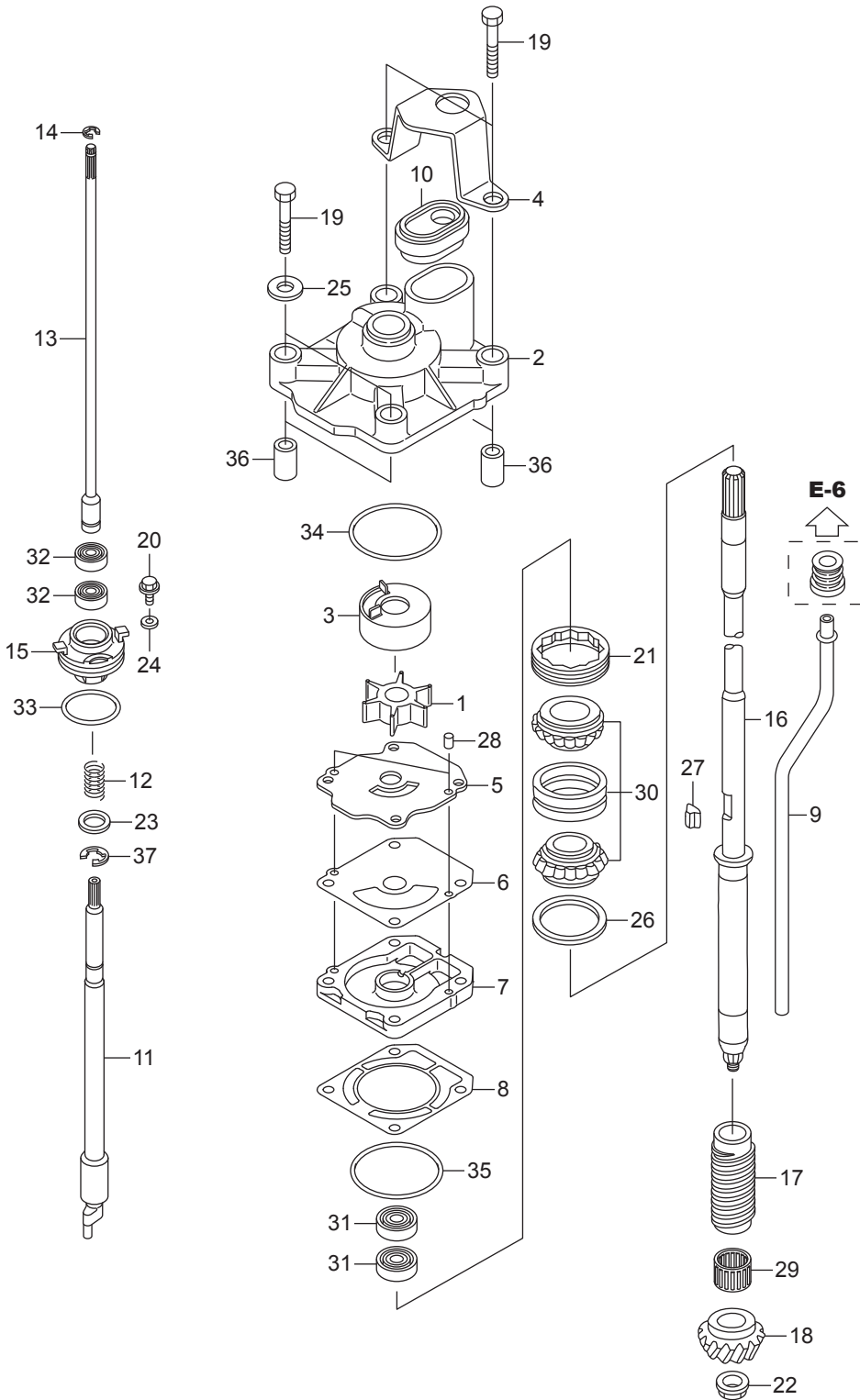
Ref.No.	Part No.	Description	Q'ty		Remarks
			BFT60A	BFW60A	
F-4	1	HZV5-19210-003	IMPELLER, PUMP	1	
F-4	2	HZZ3-19221-000	HOUSING, IMPELLER	1	
F-4	3	HZZ3-19223-000	LINER, PUMP	1	
F-4	4	HZZ3-19228-000	HOLDER, WATER TUBE SEAL	1	
F-4	5	HZZ3-19231-000	COVER, IMPELLER	1	
F-4	6	HZZ3-19234-000	GASKET, IMPELLER	1	
F-4	7	HZZ3-19251-000	TUBE, WATER(L)	1	
F-4	8	HZZ3-19253-000	RUBBER, WATER TUBE SEAL	1	
F-4	9	HZZ3-24310-000	ROD COMP., SHIFT	1	
F-4	10	HZY3-24318-000	SPRING, SHIFT ROD	1	
F-4	11	HZW1-24320-B00	ROD A COMP., SHIFT(L)	1	
F-4	12	HZW1-24327-000	RING, STOPPER	1	
F-4	13	HZZ3-24343-000	HOLDER, SHIFT ROD	1	
F-4	14	HZZ3-41112-000	SHAFT, VERTICAL(L)	1	
F-4	15	HZV5-41116-000	SLINGER, OIL	1	
F-4	16	HZZ3-41117-000	HOUSING, WATER SEAL	1	
F-4	17	HZZ3-41131-000	GEAR, PINION(14T)	1	
F-4	18	HZW9-90105-000	BOLT, FLANGE, 6X20	3	
F-4	19	H881-90116-000	BOLT, HEX., 8X40	2	
F-4	20	HZY6-90116-000	BOLT-WASHER, 8X40	2	
F-4	21	HZV5-90303-000	NUT, SPECIAL(12MM)	1	
F-4	22	H723-90472-000	WASHER, PLAIN, 12MM	1	
F-4	23	HZV5-90518-000	SHIM, GEAR(A)(40X46X0.10)	1	
F-4	23	HZV5-90519-000	SHIM, GEAR(B)(40X46X0.15)	1	
F-4	23	HZV5-90520-000	SHIM, GEAR(C)(40X46X0.30)	1	
F-4	23	HZV5-90521-000	SHIM, GEAR(D)(40X46X0.50)	1	
F-4	24	HZV5-90752-003	KEY, WOODRUFF	1	
F-4	25	HZV5-90756-000	DOWEL PIN, 6X10	2	
F-4	26	HZZ3-91052-003	BEARING, NEEDLE, 7/8X11/8X1	1	

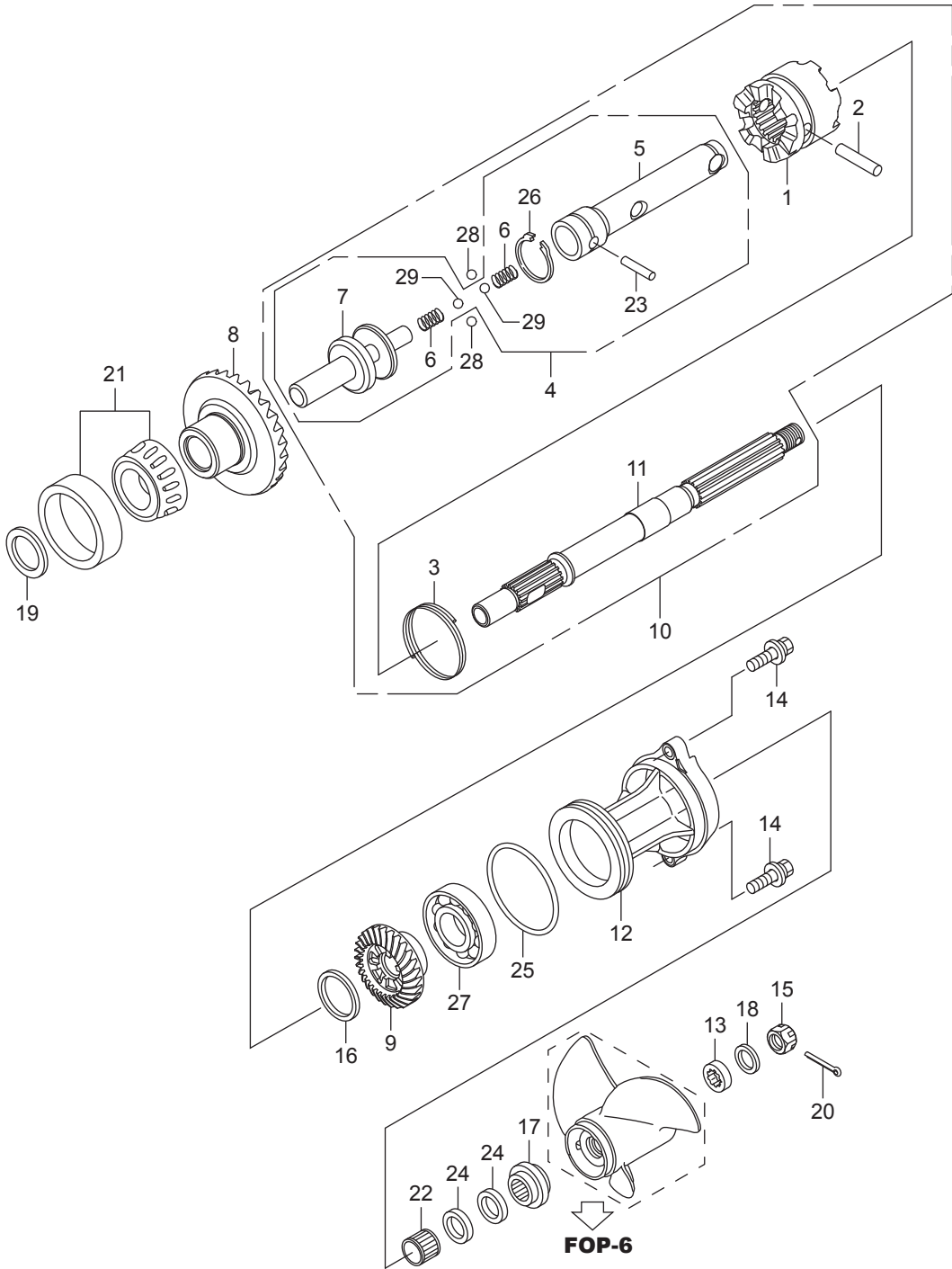




FR.

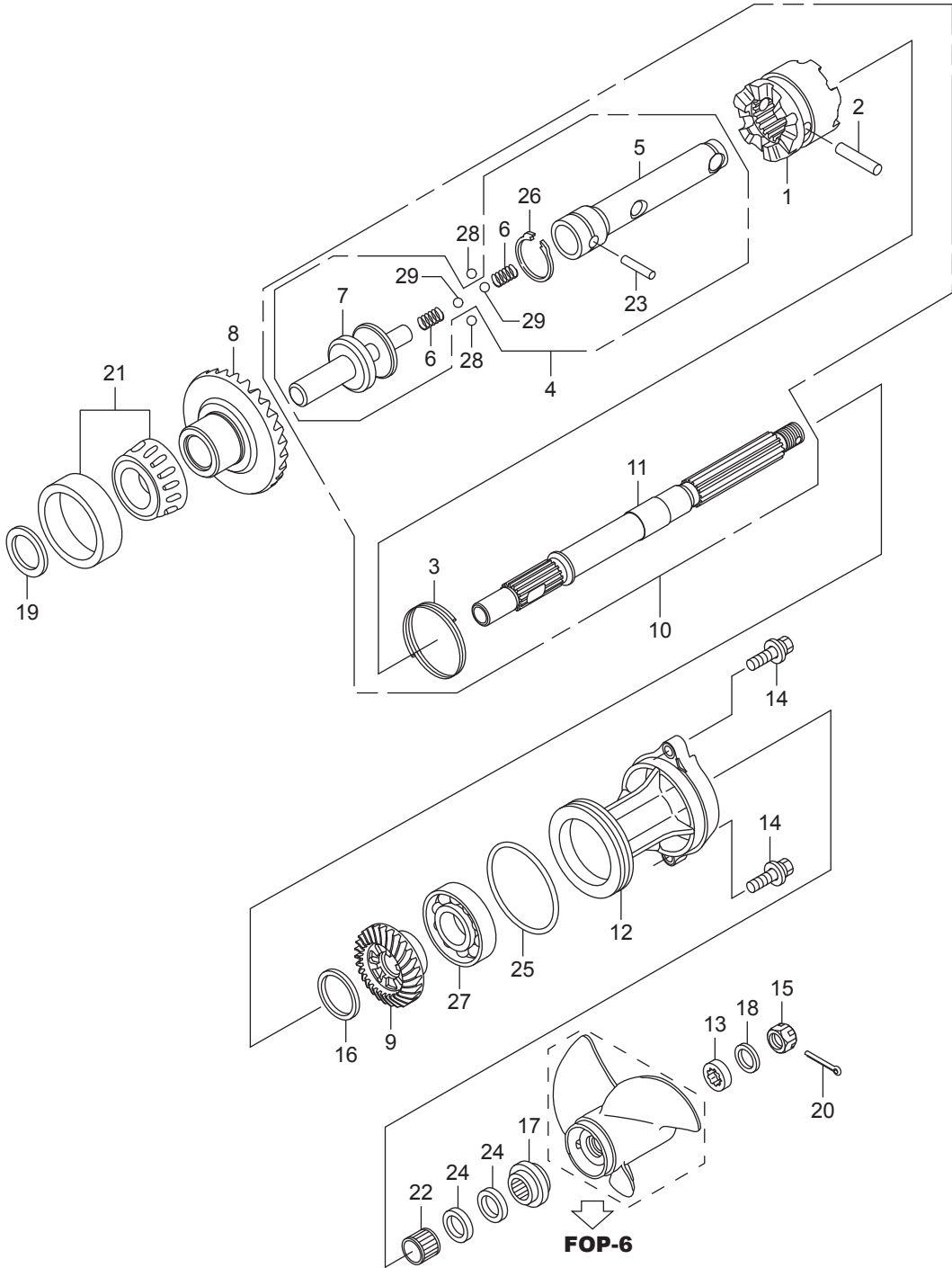
Ref.No.	Part No.	Description	Q'ty		Remarks
			BFT60A	BFW60A	
F-4-1	1	HZV5-19210-003		1	
F-4-1	2	HZZ3-19221-000		1	
F-4-1	3	HZZ3-19223-000		1	
F-4-1	4	HZZ3-19228-000		1	
F-4-1	5	HZZ3-19231-000		1	
F-4-1	6	HZZ3-19234-E00		1	(POWER THRUST)
F-4-1					
F-4-1	7	HZZ0-19241-000		1	
F-4-1	8	HZW1-19242-B00		1	
F-4-1	9	HZZ3-19251-E00		1	
F-4-1	10	HZZ3-19253-000		1	
F-4-1	11	HZZ0-24310-000		1	
F-4-1	12	HZY3-24318-000		1	
F-4-1	13	HZW1-24320-B00		1	
F-4-1	14	HZW1-24327-000		1	
F-4-1	15	HZW1-24343-B02		1	
F-4-1	16	HZZ3-41112-E00		1	(POWER THRUST)
F-4-1	17	HZW1-41116-B00		1	
F-4-1	18	HZW1-41131-B01		1	
F-4-1	19	HZV5-90010-000		4	
F-4-1	20	HZW9-90102-000		1	
F-4-1	21	HZW1-90242-000		1	
F-4-1	22	HZW1-90303-B03		1	
F-4-1	23	H723-90472-000		1	
F-4-1	24	HZV4-90511-000		1	
F-4-1	25	H921-90514-000		2	
F-4-1	26	HZW1-90518-B00		1	
F-4-1	26	HZW1-90519-B00		1	
F-4-1	26	HZW1-90520-B00		1	



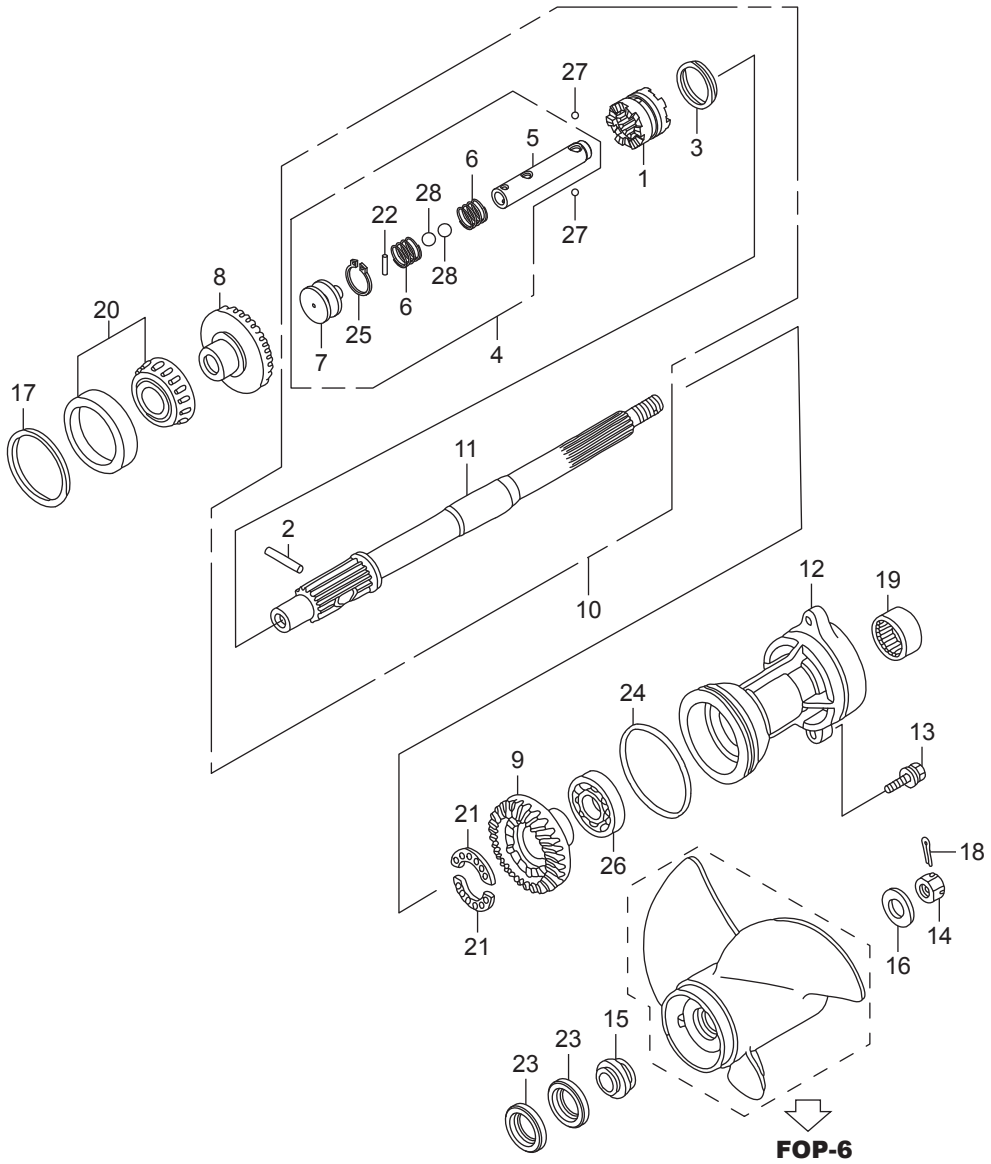


FR.

Ref.No.	Part No.	Description	Q' ty		Remarks
			BFT60A	BFW60A	
F-5	1	HZZ3-24101-000	SHIFTER, CLUTCH	1	
F-5	2	HZV5-24102-000	PIN, SHIFTER, 6.3X33	1	
F-5	3	HZV5-24103-000	RING, CROSS PIN	1	
F-5	4	HZZ3-24113-000	SLIDER COMP., SHIFT	1	
F-5	5	HZZ3-24122-000	SLIDER, SHIFT	1	
F-5	6	HZZ3-24123-000	SPRING, SHIFT	2	
F-5	7	HZZ3-24124-000	PLATE, SHIFT	1	
F-5	8	HZZ3-41140-000	GEAR COMP., FR. BEVEL(29T)	1	
F-5	9	HZZ3-41151-000	GEAR, RR. BEVEL(29T)	1	
F-5	10	HZZ3-41160-000	SHAFT ASSY., PROPELLER	1	
F-5	11	HZZ3-41161-000	SHAFT, PROPELLER	1	
F-5	12	HZZ3-41201-000ZD	HOLDER, PROPELLER SHAFT	1	*T107* BAY BLUE
F-5	13	HZV5-58151-000	SPACER, 10MM	1	
F-5	14	HZY6-90105-000	BOLT-WASHER, 8X30	2	
F-5	15	HZV5-90301-000	NUT, CASTLE, 16MM	1	
F-5	16	HZV5-90503-000	WASHER, 22MM	1	
F-5	17	HZV5-90506-020	WASHER, PROPELLER THRUST	1	
F-5	18	HZV5-90508-000	WASHER, 17MM	1	
F-5	19	HZV5-90528-000	SHIM, FR. BEVEL(A)(51X57X0.10)	1	
F-5	19	HZV5-90529-000	SHIM, FR. BEVEL(B)(51X57X0.15)	1	
F-5	19	HZV5-90530-000	SHIM, FR. BEVEL(C)(51X57X0.30)	1	
F-5	19	HZV5-90531-000	SHIM, FR. BEVEL(D)(51X57X0.50)	1	
F-5	20	HZV5-90758-000	PIN, SPLIT, 4.0	1	
F-5	21	HZZ5-91051-003	BEARING, 32X58X17	1	
F-5	22	HZV5-91053-003	BEARING, NEEDLE, 22X28X20	1	
F-5	23	HZW1-91101-003	ROLLER, 3X12.8	1	
F-5	24	HZW4-91252-003	SEAL, WATER, 22X35X7	2	
F-5	25	HZZ3-91352-000	O-RING, 76.5X3	1	
F-5	26	HZZ3-91451-000	CIRCLIP, 14MM	1	

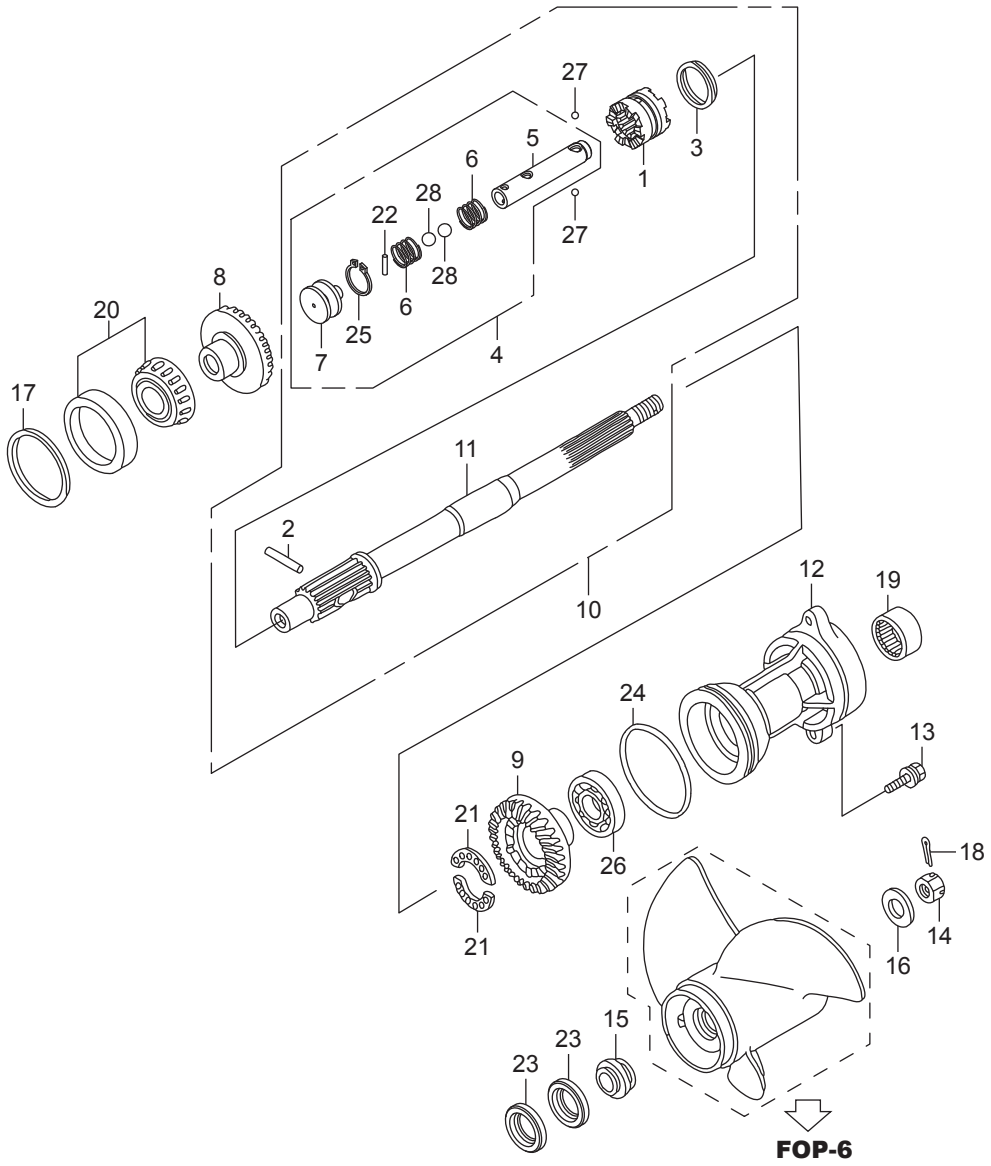


FR.



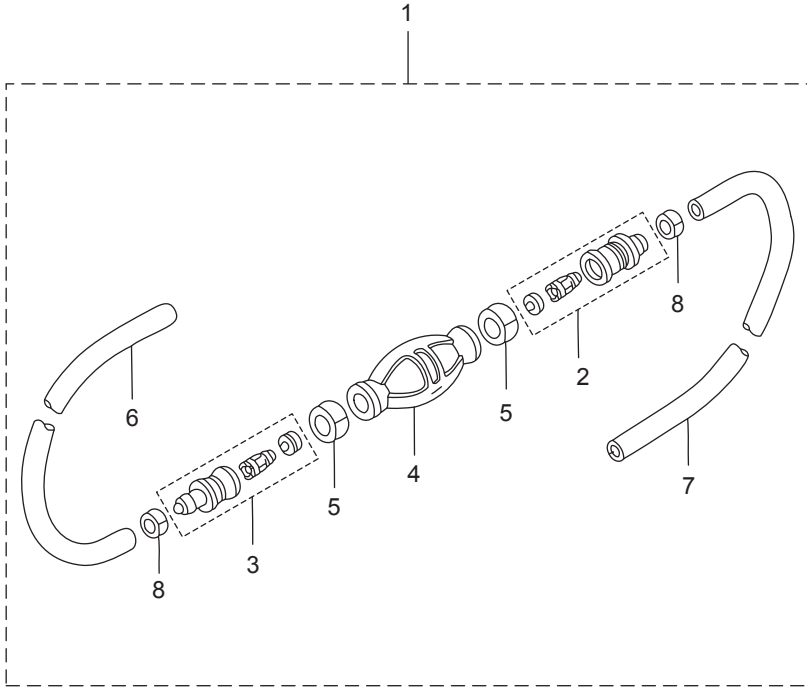
FR.

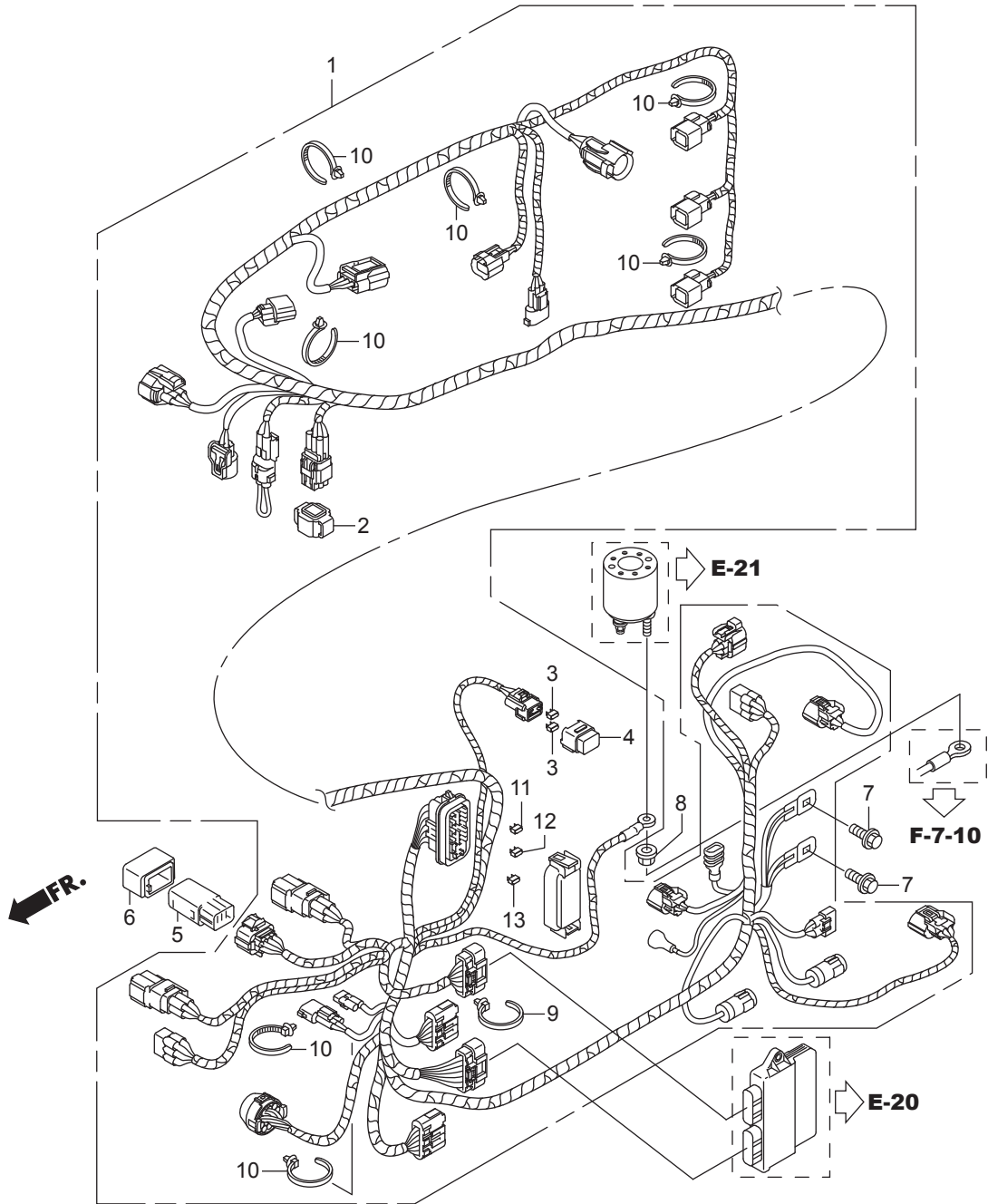
Ref.No.	Part No.	Description	Q' ty		Remarks
			BFT60A	BFW60A	
F-5-1	1	HZZ3-24101-E00		1	
F-5-1	2	HZW1-24102-B00		1	
F-5-1	3	HZW1-24103-B00		1	
F-5-1	4	HZZ3-24113-E00		1	(POWER THRUST)
F-5-1	5	HZZ3-24122-E00		1	
F-5-1	6	HZZ3-24123-E00		2	
F-5-1	7	HZZ0-24124-000		1	
F-5-1	8	HZZ3-41140-E00		1	(POWER THRUST)
F-5-1	9	HZZ3-41151-E00		1	(POWER THRUST)
F-5-1	10	HZZ3-41160-E00		1	(POWER THRUST)
F-5-1	11	HZZ3-41161-E00		1	
F-5-1	12	HZW1-41201-B02ZD		1	*T107* BAY BLUE
F-5-1	13	HZY6-90123-000		2	
F-5-1	14	HZW1-90301-B00		1	
F-5-1	15	HZZ0-90506-C00		1	
F-5-1	16	HZW1-90508-B00		1	
F-5-1	17	HZW1-90528-B00		1	
F-5-1	17	HZW1-90529-B00		1	
F-5-1	17	HZW1-90530-B00		1	
F-5-1	17	HZW1-90531-B00		1	
F-5-1	18	HZW1-90758-B00		1	
F-5-1	19	HMY5-91005-601		1	
F-5-1	20	HZW1-91051-B02		1	
F-5-1	21	HZW5-91054-003		2	
F-5-1	22	HZW1-91101-003		1	
F-5-1	23	HZZ3-91252-003		2	
F-5-1	24	HZW1-91351-B02		1	
F-5-1	25	HCO-94510-14000		1	
F-5-1	26	HCO-96100-62080-00		1	

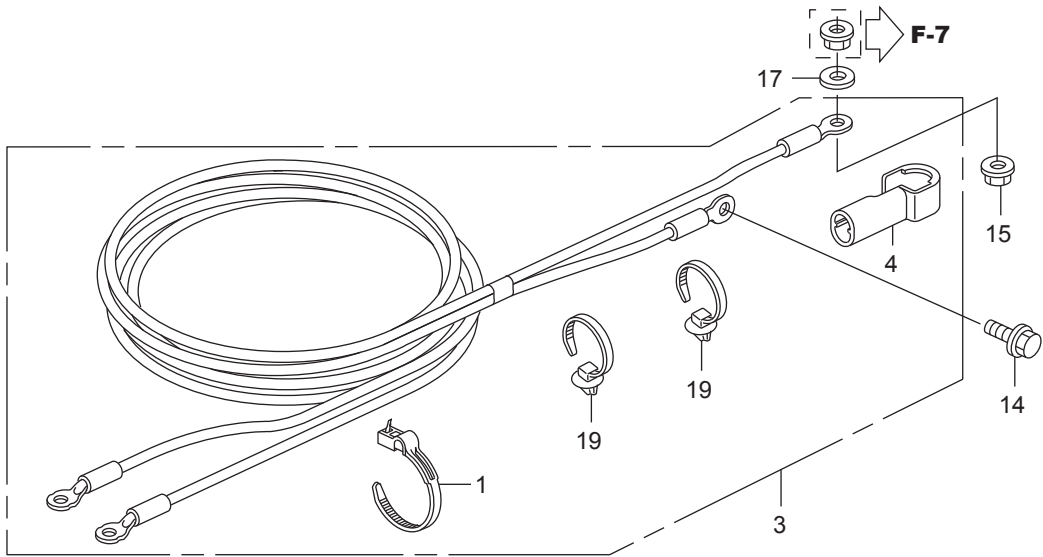


FOP-6

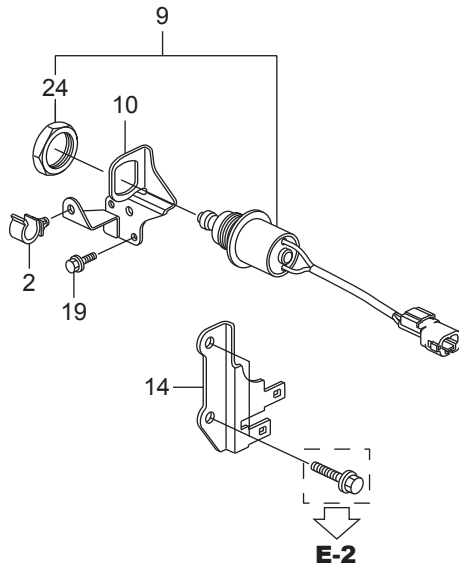
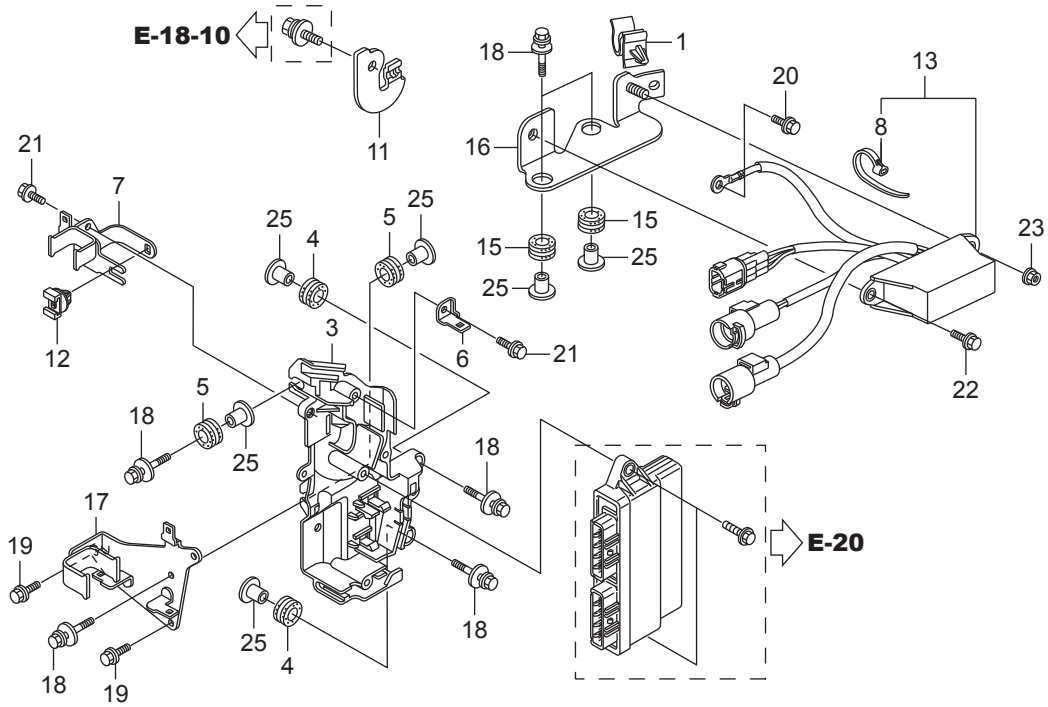




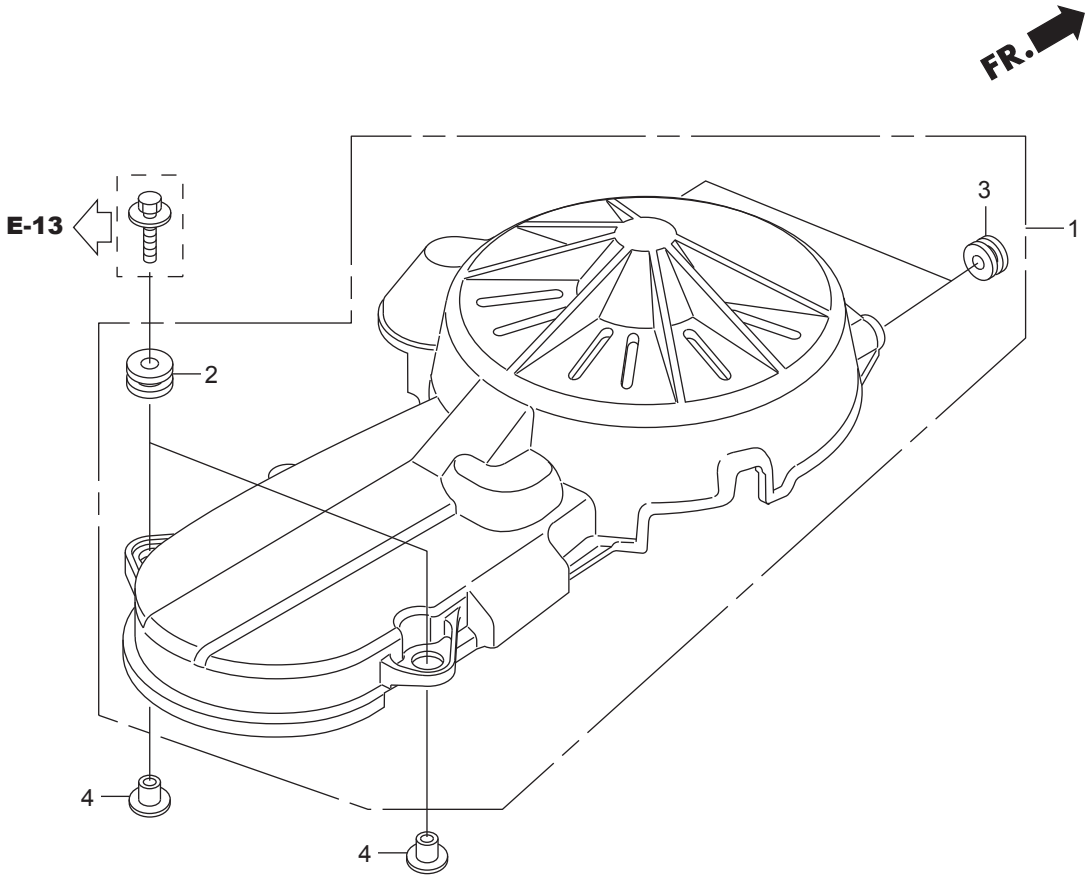


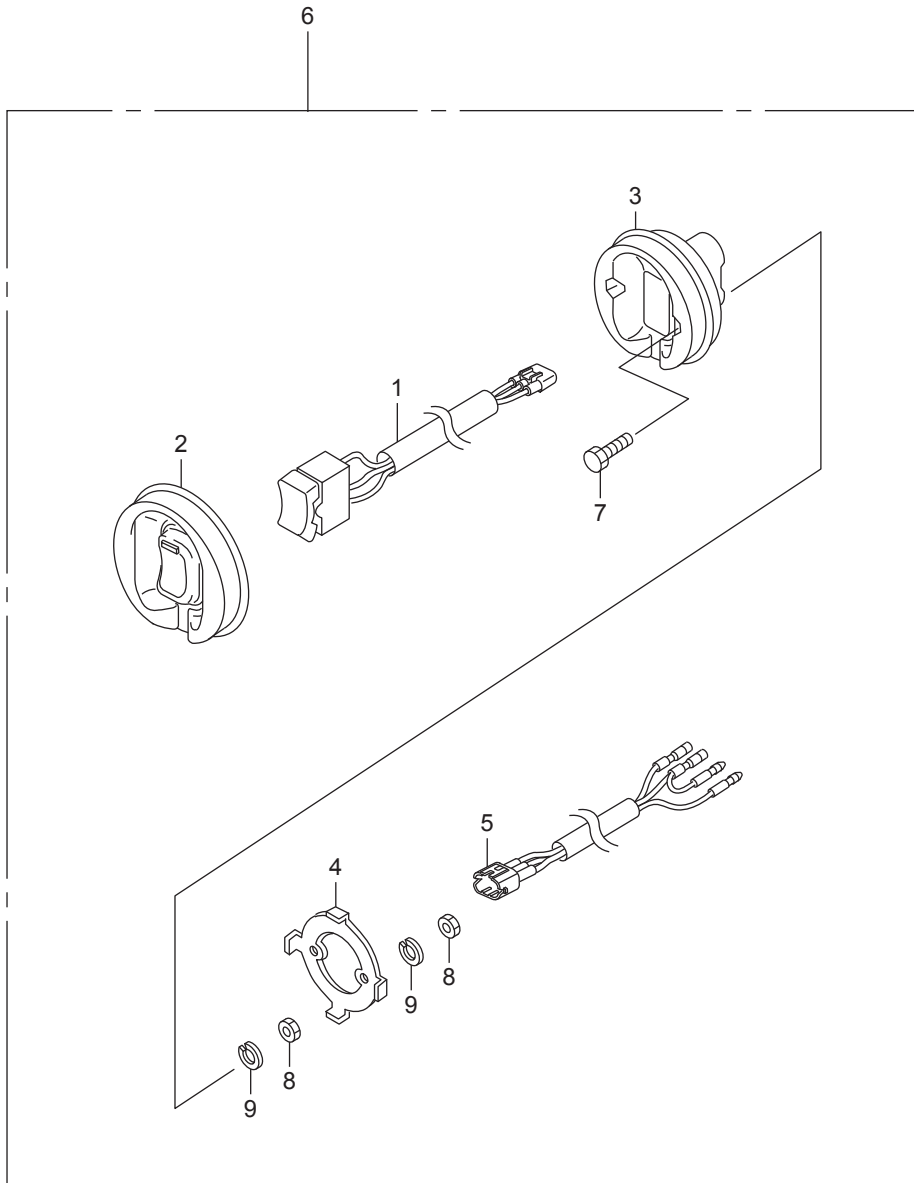


FR. ←

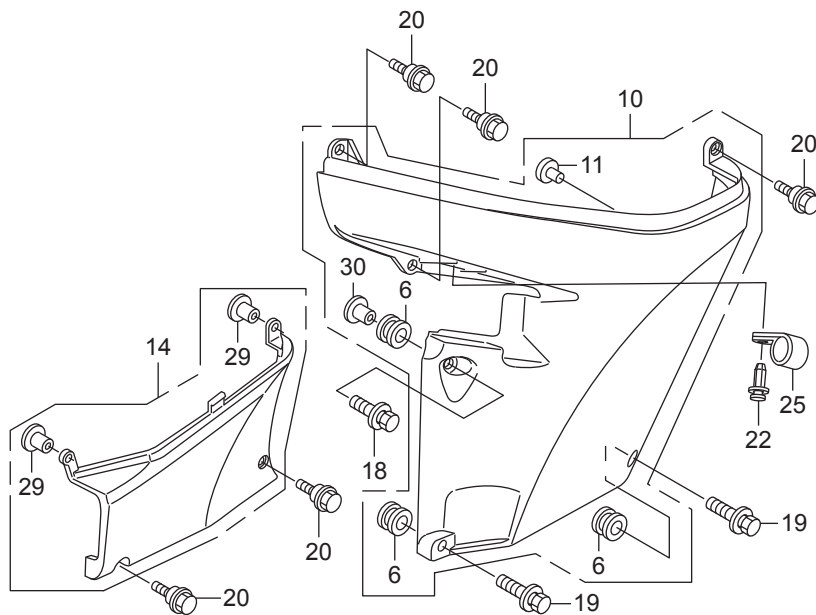
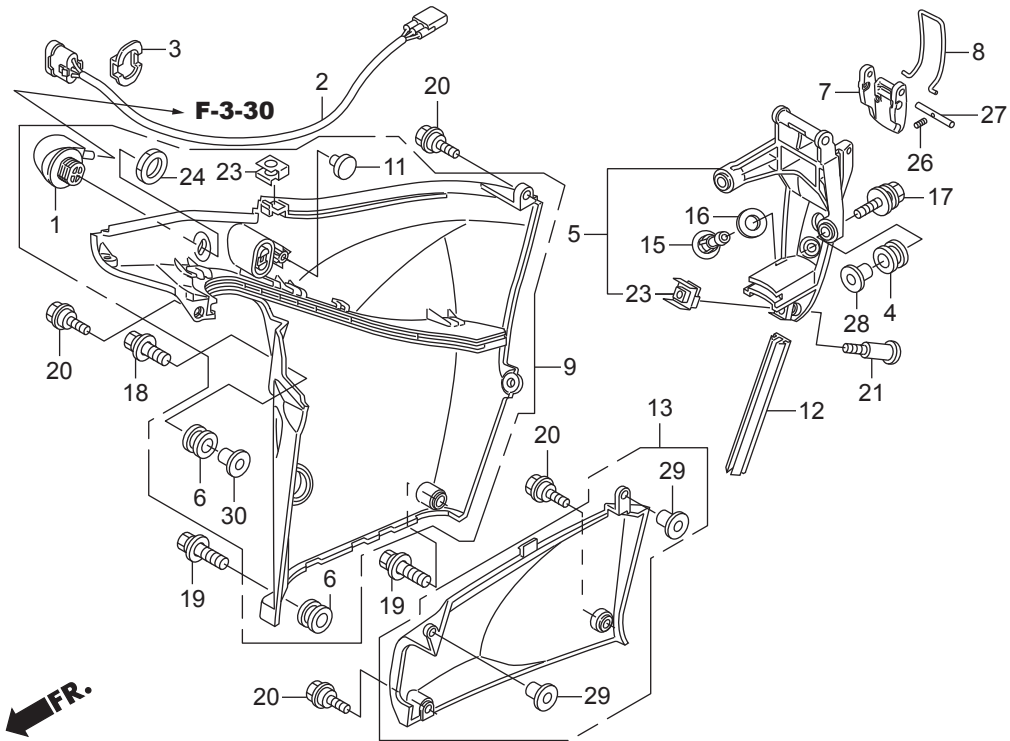


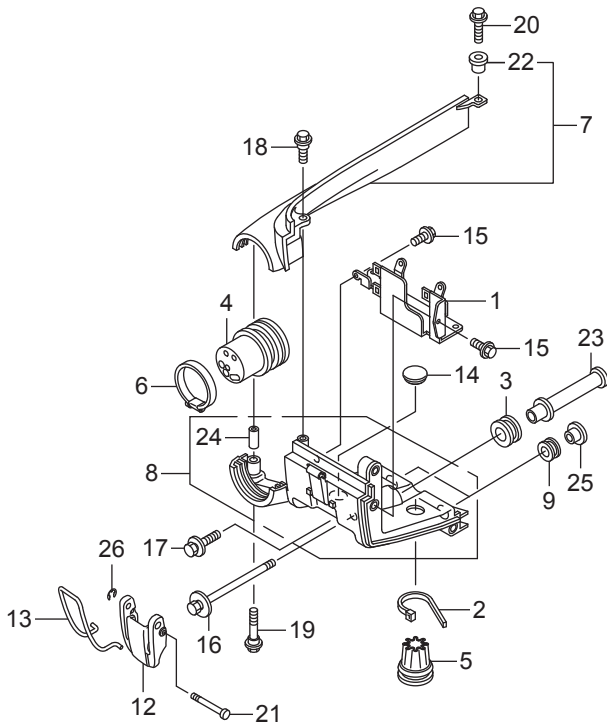
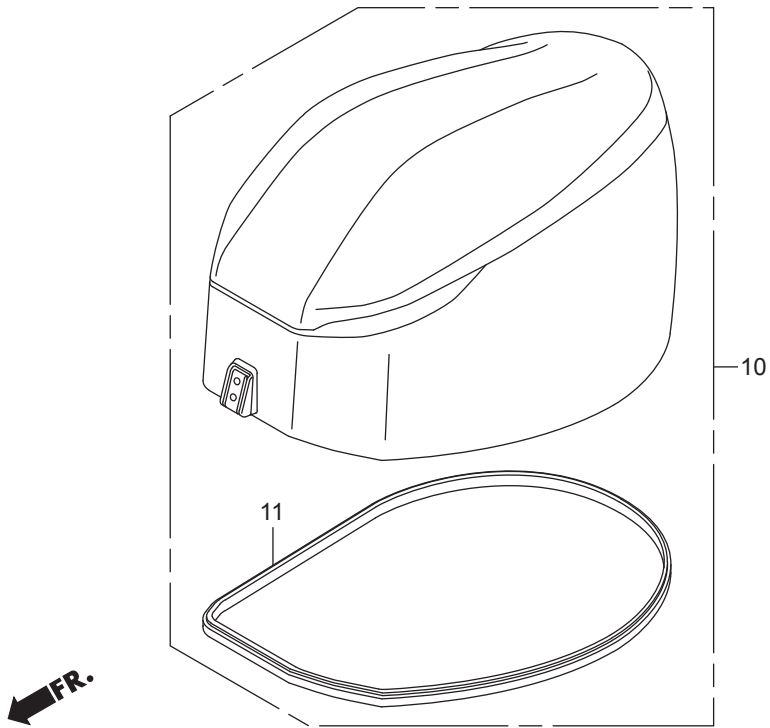
Ref.No.	Part No.	Description	Q'ty		Remarks	
			BFT60A	BFW60A		
F-7-20	1	HZ0G-16446-003	CLAMP, FUEL TUBE	1	1	
F-7-20	2	HZY9-16896-003	CLAMP B, FUEL TUBE	1	1	
F-7-20	3	HZZ3-30416-000	CASE, ELECTRONIC PARTS	1	1	
F-7-20	4	HZY9-30419-003	GROMMET, ELECTRONIC PARTS CASE	2	2	
F-7-20	5	HZV5-30598-000	GROMMET, C.D.I. UNIT CASE(B)	2	2	
F-7-20	6	HZZ3-32101-000	BRACKET, A.C. GENERATOR FUSE	1	1	
F-7-20	7	HZZ3-32102-000	BRACKET, FUSE	1	1	
F-7-20	8	H952-32901-770	TIE, CABLE(NATURAL)(2.4X92)	1	1	
F-7-20	9	HZZ3-35470-023	SWITCH ASSY., NEUTRAL	1	1	
F-7-20	10	HZZ3-35475-000	BRACKET COMP., NEUTRAL SWITCH	1	1	
F-7-20	11	HZZ3-35645-000	BRACKET, POWER TILT SWITCH COUPLER	1	1	
F-7-20	12	HZY3-38216-003	CLIP, COUPLER HOLDER(B)	1	1	
F-7-20	13	HZZ3-38550-003	RELAY ASSY., POWER TILT	1	1	
F-7-20	14	HZZ3-38552-000	BRACKET A, POWER TILT COUPLER	1	1	
F-7-20	15	HZY9-38553-003	GROMMET, RELAY BRACKET	2	2	
F-7-20	16	HZZ3-38553-000	BRACKET, POWER TILT RELAY	1	1	
F-7-20	17	HZZ3-38582-000	BRACKET, MAIN RELAY	1	1	
F-7-20	18	HZW2-90003-000	BOLT-WASHER, 6X27(CT200)	6	6	
F-7-20	19	HZW9-90011-000	BOLT, FLANGE, 6X14(CT200)	3	3	
F-7-20	20	HZW9-90013-000	BOLT, FLANGE, 6X12	1	1	
F-7-20	21	HZW9-90014-000	BOLT, FLANGE, 6X10	2	2	
F-7-20	22	HZY3-90021-000	BOLT, FLANGE, 6X14	1	1	
F-7-20	23	HZW2-90301-F00	NUT, FLANGE, 6MM	1	1	
F-7-20	24	HZV5-90302-003	NUT, HEX., 20MM	1	1	
F-7-20	25	HZV5-91553-010	COLLAR, C.D.I. UNIT CASE	6	6	



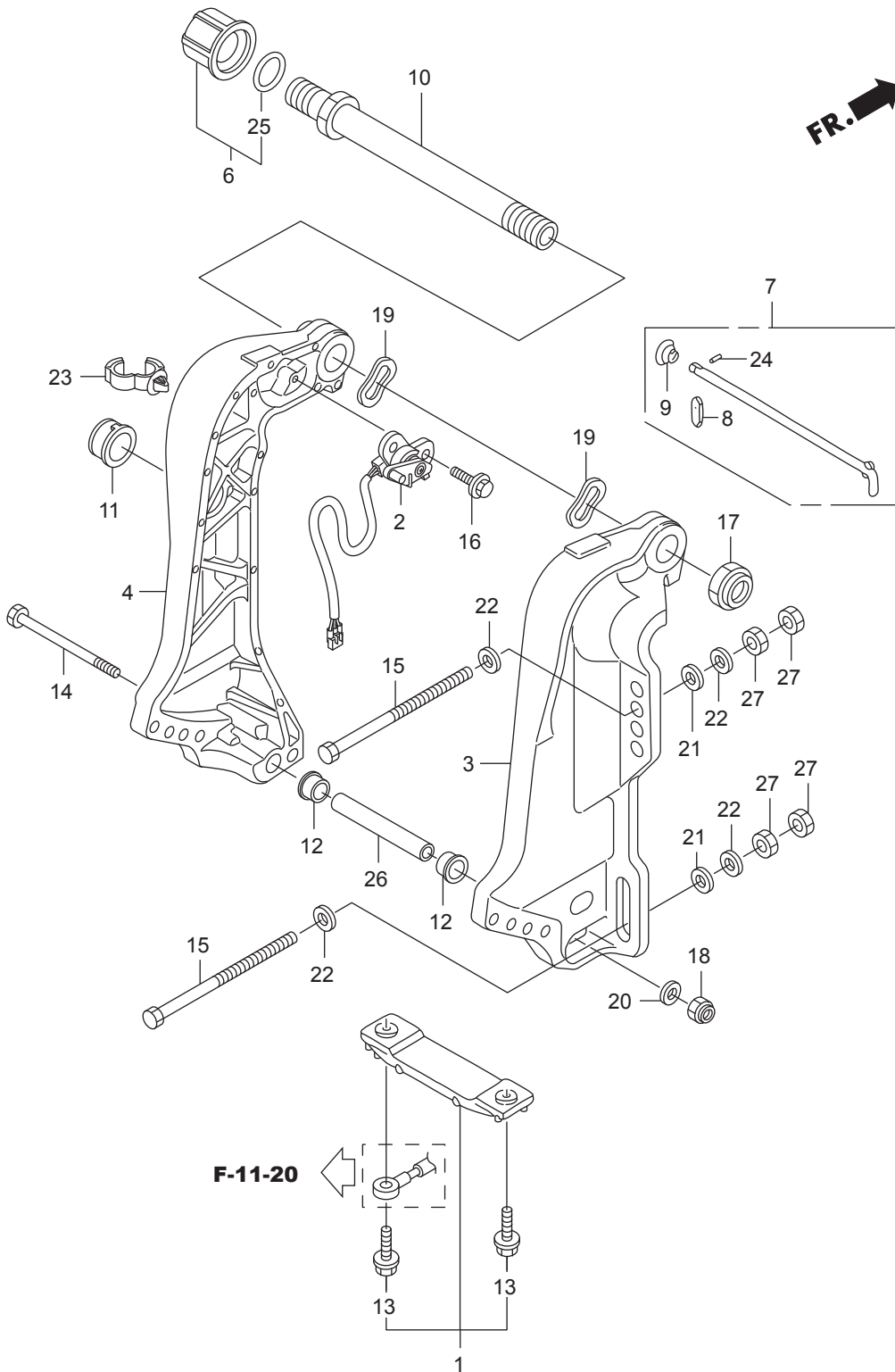


Ref.No.	Part No.	Description	Q' ty		Remarks	
			BFT60A	BFW60A		
F-8	1	HZY6-19289-000	CAP, WATER JOINT	1	1	
F-8	2	HZZ3-35640-003	SWITCH ASSY., POWER TILT	1	1	
F-8	3	HZY9-35645-000	STAY, POWER TILT SWITCH	1	1	
F-8	4	HZV5-40102-000	GROMMET, UNDER CASE	2	2	
F-8	5	HZZ3-40155-000	BRACKET, RR. UNDER COVER	1	1	
F-8	6	HMB6-61102-631	RUBBER, FENDER MOUNTING	6	6	
F-8	7	HZY9-63232-010	LEVER, FASTENER	1	1	
F-8	8	HZY9-63237-000	WIRE, FASTENER	1	1	
F-8	9	HZZ3-63710-000ZC	COVER ASSY., R. ENGINE UNDER	1	1	*T107* BAY BLUE
F-8	10	HZZ3-63715-000ZC	COVER ASSY., L. ENGINE UNDER	1	1	*T107* BAY BLUE
F-8	11	HZW9-63718-000	RUBBER, CUSHION	2	2	
F-8	12	HZZ3-63724-000	SEAL, RR. UNDER COVER	1	1	
F-8	13	HZZ3-63731-000ZC	COVER, R. LOWER MOUNTING	1	1	*T107* BAY BLUE
F-8	14	HZZ3-63736-000ZC	COVER, L. LOWER MOUNTING	1	1	*T107* BAY BLUE
F-8	15	HZY9-82873-000	GROMMET, WATER CHECK	1	1	
F-8	16	HZY9-82874-000	SEAL, WATER CHECK GROMMET	1	1	
F-8	17	HZW1-90013-000	BOLT-WASHER, 6X25	2	2	
F-8	18	HZY9-90103-000	BOLT-WASHER, 6X22	2	2	
F-8	19	HZZ3-90106-000	BOLT-WASHER, 6X27	4	4	
F-8	20	HZY3-90111-000	BOLT, SPECIAL, 6X17	9	9	
F-8	21	HZY9-90113-003	BOLT, RR. BRACKET	1	1	
F-8	22	HZV5-90127-003	SCREW, RIVET, 5X10	1	1	
F-8	23	HZY6-90301-000	NUT, CLIP	2	2	
F-8	24	H921-90302-000	NUT, HEX., 16MM	1	1	
F-8	25	HSB0-90602-003	CLIP, 10.7MM	1	1	
F-8	26	HZY9-90751-000	PIN, SPRING, 2.0X12	1	1	
F-8	27	HZY9-90755-000	PIN, 5X59	1	1	
F-8	28	HZV5-91553-010	COLLAR, C.D.I. UNIT CASE	2	2	
F-8	29	HZY6-91553-000	COLLAR, DISTANCE, 6.5X9X5	4	4	

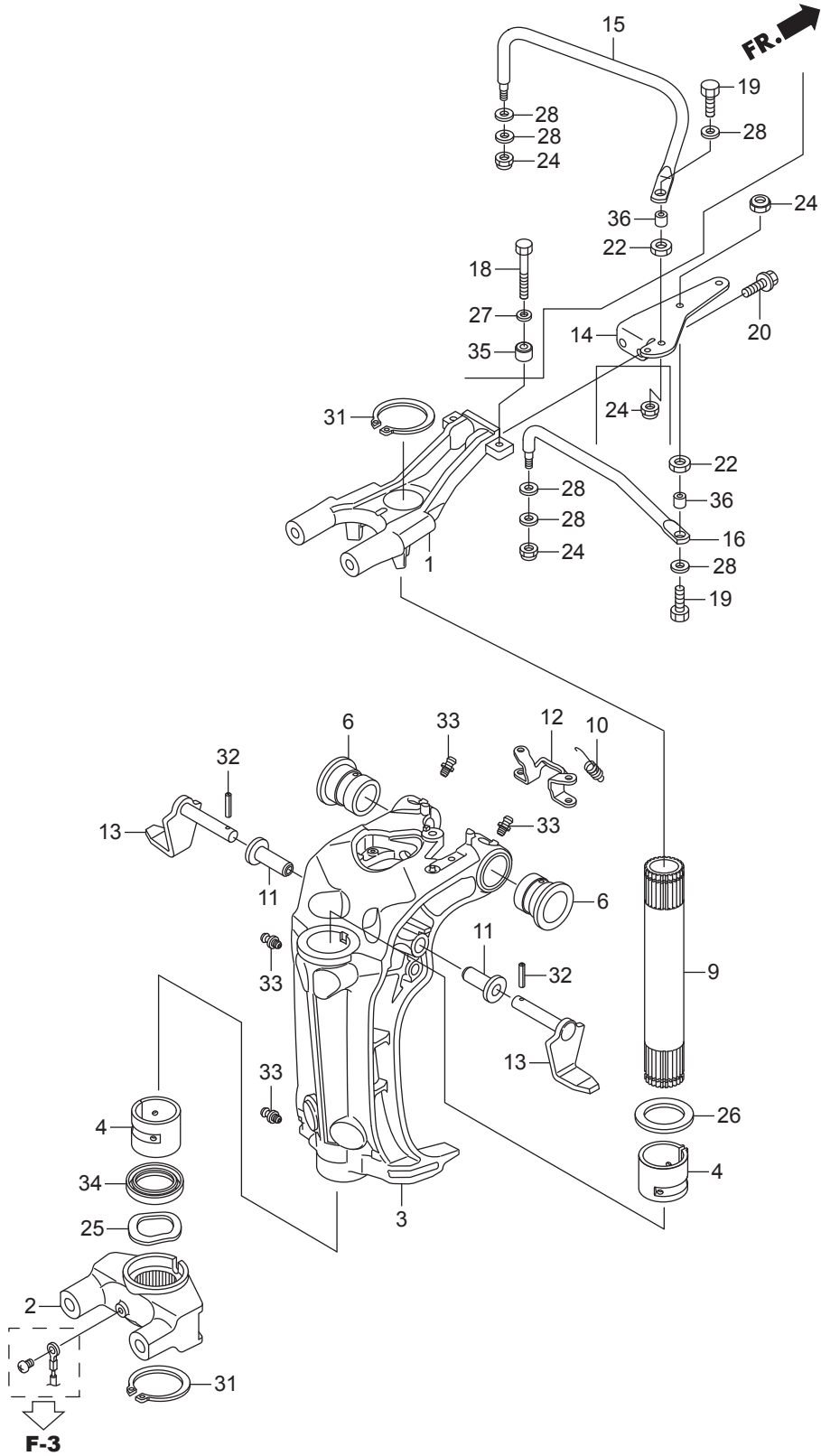




Ref.No.	Part No.	Description	Q'ty		Remarks	
			BFT60A	BFW60A		
F-8-10	1	HZZ3-32581-000	BRACKET, REMOTE CONTROL CABLE	1	1	
F-8-10	2	HMG9-35701-950	BAND(BLACK 3.5X140)	1	1	
F-8-10	3	HZV5-40102-000	GROMMET, UNDER CASE	1	1	
F-8-10	4	HZZ3-40105-000	GROMMET, REMOTE CONTROL CABLE	1	1	
F-8-10	5	HZW1-40107-700	GROMMET, UNDER CASE(C)	1	1	
F-8-10	6	HZY3-40119-003	BAND, UNDER CASE GROMMET	1	1	
F-8-10	7	HZZ3-40151-000ZC	COVER, FR. SEPARATE	1	1	*T107* BAY BLUE
F-8-10	8	HZZ3-40154-000ZC	BRACKET, FR. UNDER COVER	1	1	*T107* BAY BLUE
F-8-10	9	HMB6-61102-631	RUBBER, FENDER MOUNTING	2	2	
F-8-10	10	HZZ3-63100-010ZC	COVER ASSY., ENGINE	1	1	*T107* BAY BLUE
F-8-10	11	HZZ3-63102-000	SEAL, ENGINE COVER	1	1	
F-8-10	12	HZY9-63232-010	LEVER, FASTENER	1	1	
F-8-10	13	HZY9-63237-000	WIRE, FASTENER	1	1	
F-8-10	14	HZC0-63515-700	CAP, L. SIDE COVER	1	1	
F-8-10	15	HZW9-90014-000	BOLT, FLANGE, 6X10	2	2	
F-8-10	16	HZY9-90104-000	BOLT-WASHER, 6X95	1	1	
F-8-10	17	HZZ3-90106-000	BOLT-WASHER, 6X27	2	2	
F-8-10	18	HZY3-90111-000	BOLT, SPECIAL, 6X17	1	1	
F-8-10	19	HZY3-90132-000	BOLT, SPECIAL, 6X37	1	1	
F-8-10	20	HZW4-90168-000	BOLT, FLANGE,(SH)6X20	1	1	
F-8-10	21	HZY9-90754-000	PIN, 5X44.5	1	1	
F-8-10	22	HZY6-91553-000	COLLAR, DISTANCE, 6.5X9X5	1	1	
F-8-10	23	HZY9-91553-000	COLLAR, FR. BRACKET	1	1	
F-8-10	24	HZZ3-91553-000	COLLAR, DISTANCE, 6.1X9.1X20.5	1	1	
F-8-10	25	HZY9-91554-000	COLLAR, DISTANCE, 6.2X7.5	2	2	
F-8-10	26	HCO-94540-04029	E-RING, 4MM	1	1	



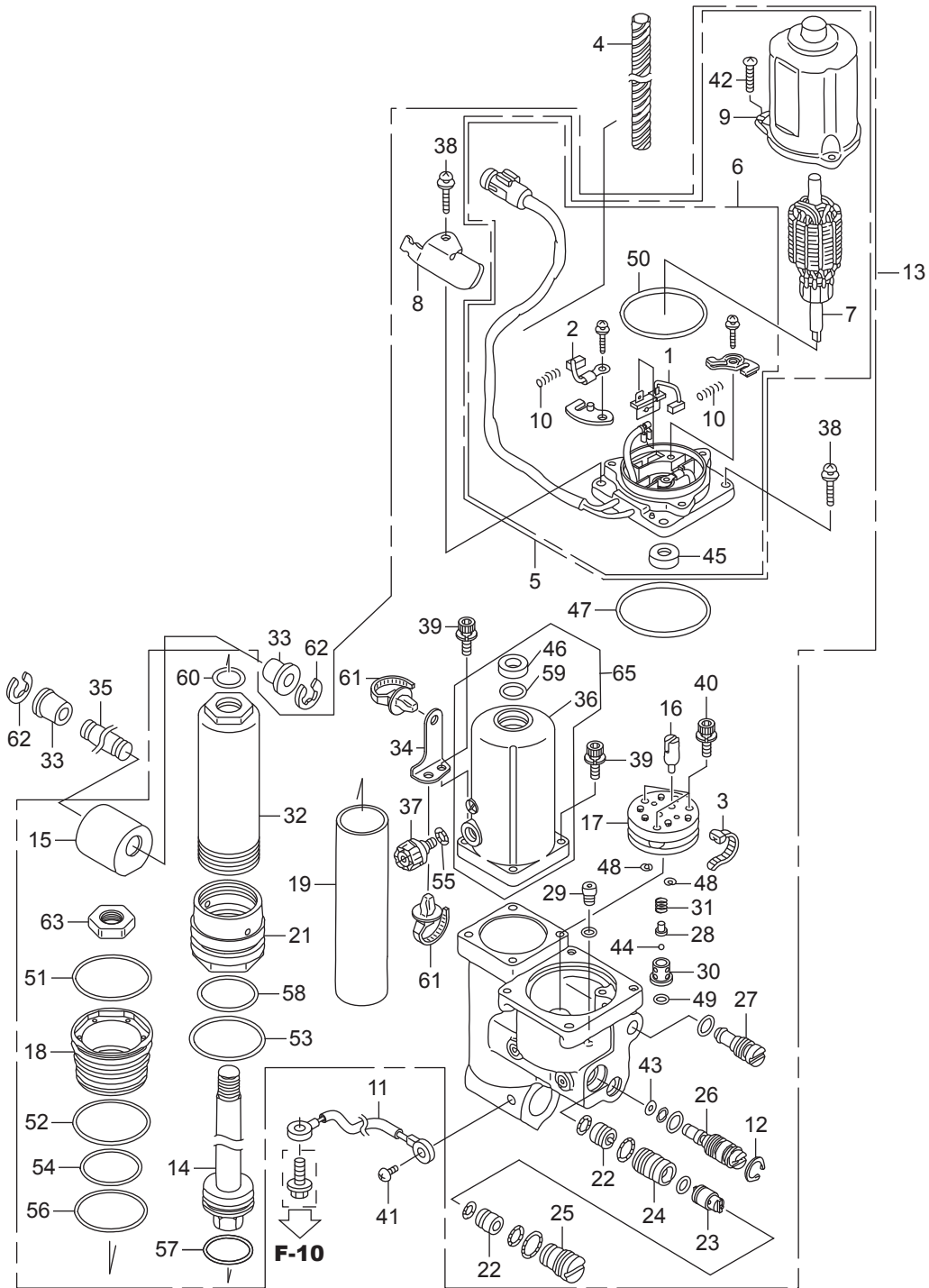
Ref.No.	Part No.	Description	Q' ty		Remarks	
			BFT60A	BFW60A		
F-10	1	HZV5-06411-020	METAL KIT, ANODE	1	1	
F-10	2	HZZ3-35660-003	SENSOR ASSY., TRIM ANGLE	1	1	
F-10	3	HZZ3-50301-010ZC	BRACKET, R. STERN	1	1	*T107* BAY BLUE
F-10	4	HZZ3-50311-000ZC	BRACKET, L. STERN	1	1	*T107* BAY BLUE
F-10	6	HZV5-50335-000	CAP ASSY.	1	1	
F-10	7	HZZ5-50340-000	ROD COMP., ADJUSTING	1	1	
F-10	8	HZV5-50342-300	STOPPER, ROD	1	1	
F-10	9	H921-50343-300	SPRING, ADJUSTING ROD	1	1	
F-10	10	HZZ3-50380-000	SHAFT COMP., TILT	1	1	
F-10	11	HZV5-56118-820	BUSH, MOTOR CODE	1	1	
F-10	12	HZV5-56513-000	BUSH, LOWER CYLINDER	2	2	
F-10	13	HZW9-90009-000	BOLT, FLANGE, 6X23	2	2	
F-10	14	HZV5-90108-000	BOLT, HEX., 10X158	1	1	
F-10	15	HZZ3-90129-000	BOLT, HEX., 12X119	4	4	
F-10	16	HHW1-90215-671	BOLT, FLANGE, 6X16	2	2	
F-10	17	HZV5-90304-013	NUT, SELF-LOCK(7/8-14UNF)	1	1	
F-10	18	HZW4-90306-003	NUT, FLANGE, 10MM	1	1	
F-10	19	HZV5-90502-000	WASHER, WAVE, 26MM	2	2	
F-10	20	H921-90511-000	WASHER, PLAIN, 10MM	1	1	
F-10	21	HZV5-90552-000	WASHER, PLAIN, 12MM	4	4	
F-10	22	HZV5-90559-000	WASHER, PLAIN, 12MM	8	8	
F-10	23	H763-90681-A01	CLIP, WIRE HARNESS	1	1	
F-10	24	HZW6-90751-000	PIN, SPRING, 2.5X8	1	1	
F-10	25	HZV5-91352-000	O-RING, 15.54X2.26	1	1	
F-10	26	HZV5-91556-000	COLLAR, DISTANCE, 10X90	1	1	#~6000030
F-10	26	HZV5-91556-000	COLLAR, DISTANCE, 10X90	1	1	#~7000008
F-10	26	HZZ5-91556-C00	COLLAR, DISTANCE, 10X90	1	1	#6000031~
F-10	26	HZZ5-91556-C00	COLLAR, DISTANCE, 10X90	1	1	#7000009~
F-10	27	HCO-94001-12490-0S	NUT, HEX., 12MM	8	8	



Ref.No.	Part No.	Description	Q'ty		Remarks	
			BFT60A	BFW60A		
F-11	1	HZZ3-50101-000	FRAME, MOUNT	1	1	
F-11	2	HZZ3-50161-000ZE	HOUSING, LOWER CENTER MOUNTING	1	1	*T107* BAY BLUE
F-11	3	HZZ3-50201-000ZC	CASE, SWIVEL	1	1	*T107* BAY BLUE
F-11	4	HZZ5-50211-000	LINER, SWIVEL CASE	2	2	
F-11	6	HZW1-50214-000	BUSH, SWIVEL CASE	2	2	
F-11	9	HZZ3-50417-000	SHAFT, SWIVEL	1	1	
F-11	10	HZV5-50515-000	SPRING, TILT LEVER	1	1	
F-11	11	HZV5-50522-000	BUSH, TILT ARM	2	2	
F-11	12	HZV5-50527-000	BRACKET, TILTING	1	1	
F-11	13	HZZ3-50529-000	STOPPER, TILT	2	2	
F-11	14	HZZ3-53234-000	PLATE, STEERING	1	1	
F-11	15	HZZ3-53238-000	ROD, STEERING		1	
F-11	16	HZZ3-53238-610	ROD, STEERING	1		
F-11						
F-11	18	HZV0-90113-000	BOLT, HEX., 6X35		1	
F-11	19	HZY3-90117-000	BOLT, 3/8-24UNF	1	1	
F-11	20	HZW9-90154-000	BOLT, FLANGE, 10X25	2	2	
F-11	22	HZV5-90302-000	NUT,(3/8-24 UNF)	1	1	
F-11	24	HZV5-90307-003	NUT, SELF-LOCK(3/8-24UNF)	2	2	
F-11	25	HZV5-90501-000	WASHER, WAVE, 40MM	1	1	
F-11	26	HZV5-90504-000	WASHER, THRUST, 34MM	1	1	
F-11	27	HZV4-90506-000	WASHER, PLAIN, 6MM		1	
F-11	28	HZV4-90514-000	WASHER, 10MM	3	3	
F-11	31	HZW4-90651-000	CIRCLIP, EXTERNAL, 39MM	2	2	
F-11	32	HZW6-90752-000	PIN, SPRING, 2.5X20	2	2	
F-11	33	HZV7-90951-010	NIPPLE, GREASE	4	4	
F-11	34	HZV5-91256-003	OIL SEAL, 39.5X52X6(ARAI)	1	1	
F-11	35	HZZ3-91555-000	COLLAR, DISTANCE, 6.5X16X14.5		1	
F-11	36	HZV5-91560-000	COLLAR, STEERING ROD	1	1	

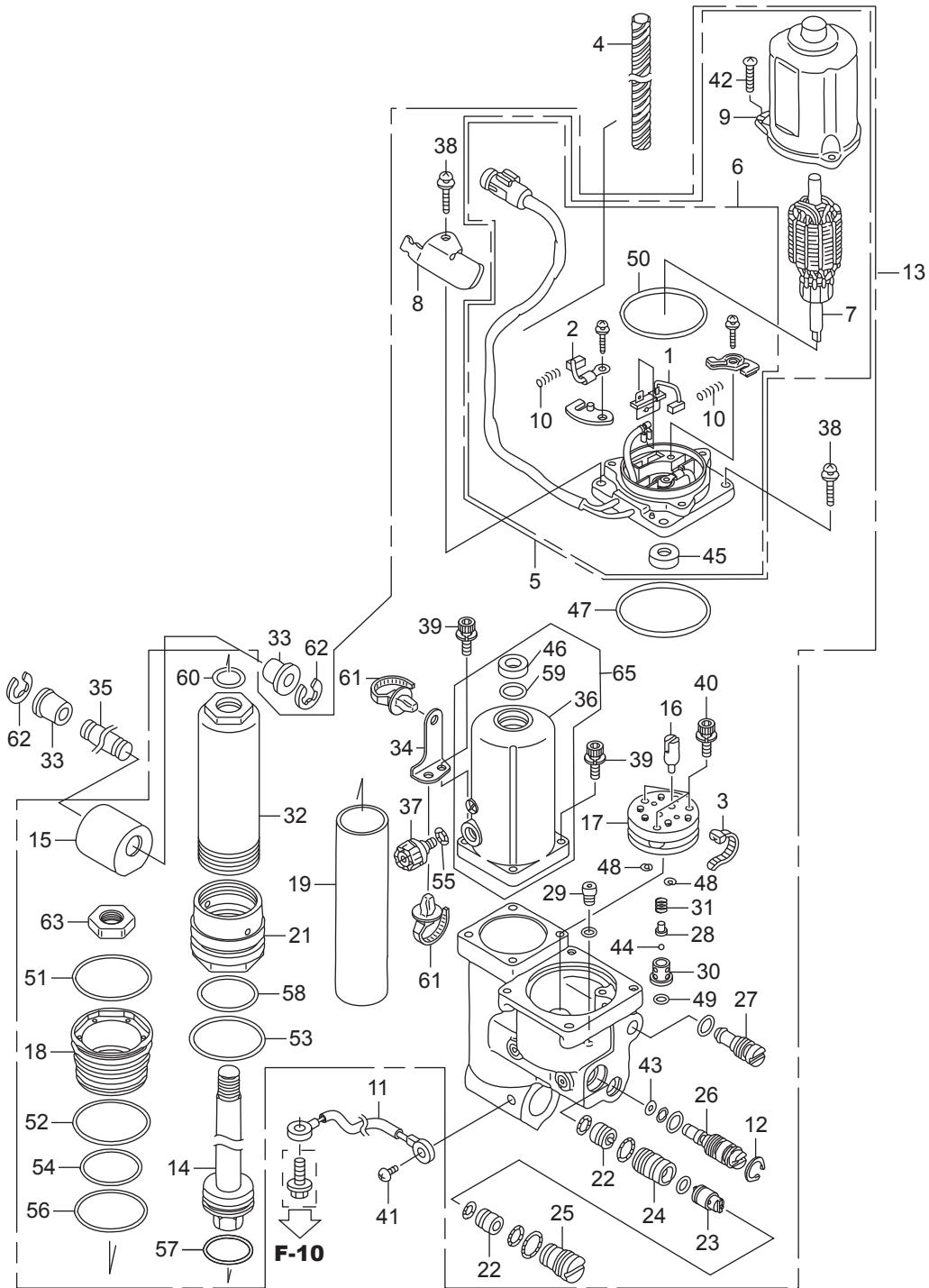
Ref.No.	Part No.	Description	Q'ty		Remarks	
			BFT60A	BFW60A		
F-11-20	1	HZW4-30280-H11	BREAKER ASSY.	1	1	
F-11-20	2	HZY3-31106-003	BRUSH ASSY.	1	1	
F-11-20	3	HMG9-35701-950	BAND(BLACK 3.5X140)	1	1	
F-11-20	4	HZY9-36104-003	TUBE, SPIRAL(12X14.6)	1	1	
F-11-20	5	HZZ3-36120-003	MOTOR ASSY., POWER TILT	1	1	
F-11-20	6	HZZ3-36122-003	BRACKET ASSY.	1	1	
F-11-20	7	HZW4-36123-H12	ARMATURE COMP.	1	1	
F-11-20	8	HZW4-36125-H11	CLAMPER, CORD	1	1	
F-11-20	9	HZV5-36129-822	YOKE COMP.	1	1	
F-11-20	10	HZV5-36136-821	SPRING, MOTOR	2	2	
F-11-20	11	HZY3-40219-023	WIRE, LEAD(1.5X116MM)	1	1	
F-11-20	12	HZY1-53549-871	CIRCLIP, INTERNAL(16)	1	1	
F-11-20	13	HZZ3-56000-043	TRIM-TILT ASSY., POWER	1	1	
F-11-20	14	HZZ3-56110-013	ROD COMP., PISTON	1	1	
F-11-20	15	HZZ3-56113-003	METAL, JOINT	1	1	
F-11-20	16	H766-56113-801	JOINT, DRIVE	1	1	
F-11-20	17	HZW4-56114-H11	PUMP	1	1	
F-11-20	18	HZW4-56115-H11	GUIDE, OUTER TUBE	1	1	
F-11-20	19	HZZ3-56123-003	CYLINDER, TILT	1	1	
F-11-20	21	HZZ3-56135-013	BOTTOM, TILT CYLINDER	1	1	
F-11-20	22	HZZ3-56140-003	VALVE COMP. B	2	2	
F-11-20	23	HZW4-56150-H11	SPOOL COMP.	1	1	
F-11-20	24	HZY1-56161-871	SLEEVE COMP.	1	1	
F-11-20	25	HZZ3-56163-003	PLUG COMP.	1	1	
F-11-20	26	HZZ3-56170-003	VALVE COMP., MANUAL	1	1	
F-11-20	27	HZZ3-56180-003	VALVE COMP.	1	1	
F-11-20	28	HZW4-56182-H11	GUIDE, SPRING	1	1	
F-11-20	29	HZZ3-56190-003	VALVE SET	1	1	
F-11-20	30	HZW4-56191-H11	SEAT B, VALVE	1	1	

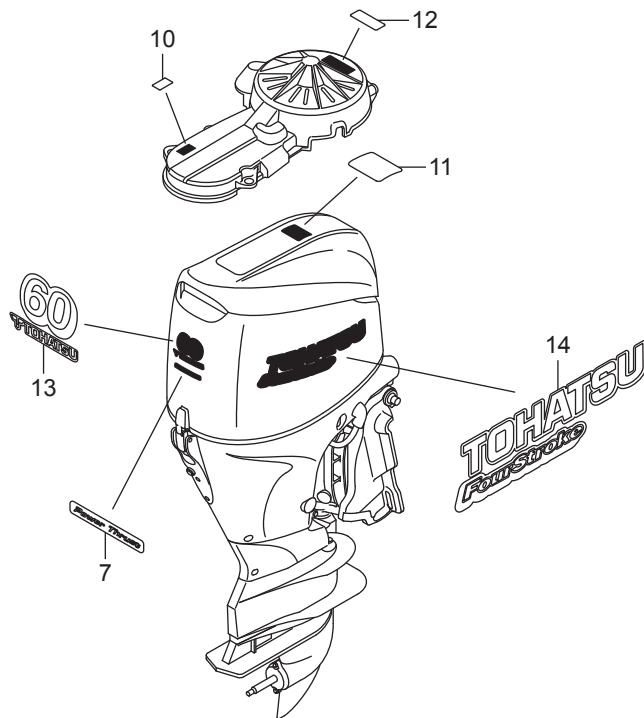
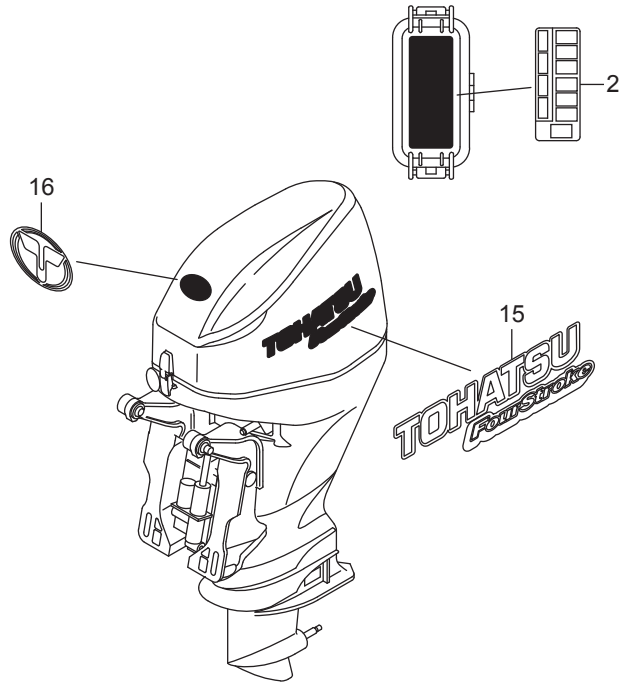
FR. →

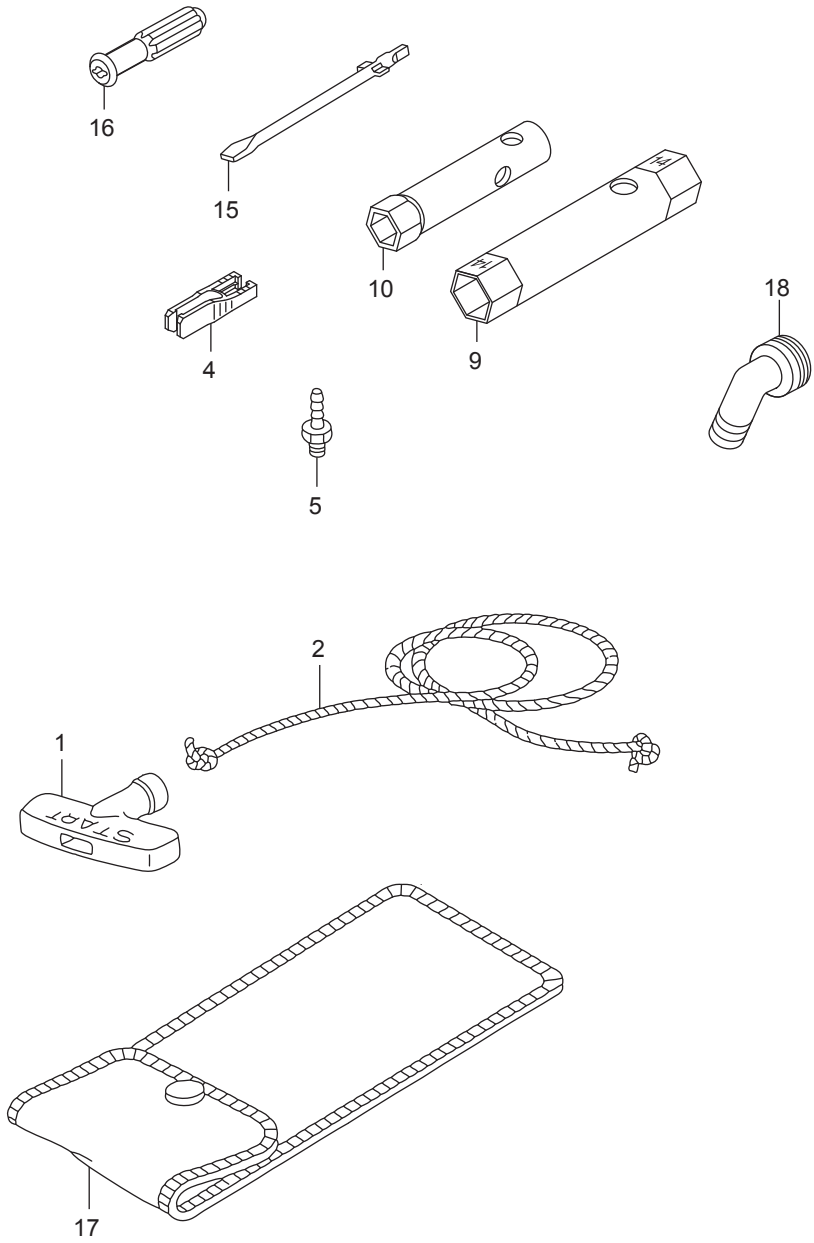


Ref.No.	Part No.	Description	Q'ty		Remarks	
			BFT60A	BFW60A		
F-11-20	31	HZW4-56192-H11	SPRING, VALVE	1	1	
F-11-20	32	HZZ3-56511-003	TUBE, OUTER	1	1	
F-11-20	33	HZV5-56512-000	BUSH, UPPER CYLINDER	2	2	
F-11-20	34	HZW4-56517-H11	PLATE, SET	1	1	
F-11-20	35	HZV5-56532-000	PIN, UPPER CYLINDER	1	1	#~6000030
F-11-20	35	HZV5-56532-000	PIN, UPPER CYLINDER	1	1	#~7000008
F-11-20	35	HZZ5-56532-C00	PIN, UPPER CYLINDER	1	1	#6000031~
F-11-20	35	HZZ5-56532-C00	PIN, UPPER CYLINDER	1	1	#7000009~
F-11-20	36	HZZ3-56851-003	RESERVOIR	1	1	
F-11-20	37	HZZ3-56860-003	CAP, OIL TANK	1	1	
F-11-20	38	HZV5-90001-791	SCREW-WASHER	4	4	
F-11-20	39	HZW4-90111-H11	BOLT, SOCKET, 5X0.8	4	4	
F-11-20	40	HZV5-90115-821	BOLT, SOCKET(B)	3	3	
F-11-20	41	HZV5-90119-000	SCREW, PAN, 6X8	1	1	
F-11-20	42	HZV5-90134-821	SCREW, PAN, 5X20	3	3	
F-11-20	43	HV15-90402-003	WASHER, SEAL	1	1	
F-11-20	44	HZW4-90921-H11	BALL, STEEL	1	1	
F-11-20	45	HZV5-91203-821	OIL SEAL	1	1	
F-11-20	46	HZZ3-91254-013	SEAL, WATER	1	1	
F-11-20	47	HZV5-91302-821	O-RING, 1.8X69.6	1	1	
F-11-20	48	HZV5-91304-821	O-RING, 1.5X6.5	2	2	
F-11-20	49	HZV5-91311-822	O-RING, 1.5X3.5	1	1	
F-11-20	50	HZV5-91318-822	O-RING, 2.0X55.5	1	1	
F-11-20	51	HZW4-91351-H11	O-RING, 2.0X52.5	1	1	
F-11-20	52	HZW4-91352-H11	O-RING, 2.0X49.5	1	1	
F-11-20	53	HZZ3-91353-003	O-RING, 3.5X41.7	1	1	
F-11-20	54	HZZ3-91354-003	O-RING, 2.4X41.2	1	1	
F-11-20	55	HZW4-91355-H11	O-RING, 1.8X10.8	1	1	
F-11-20	56	HZZ3-91355-003	O-RING, 2.0X45.5	1	1	

FR. →

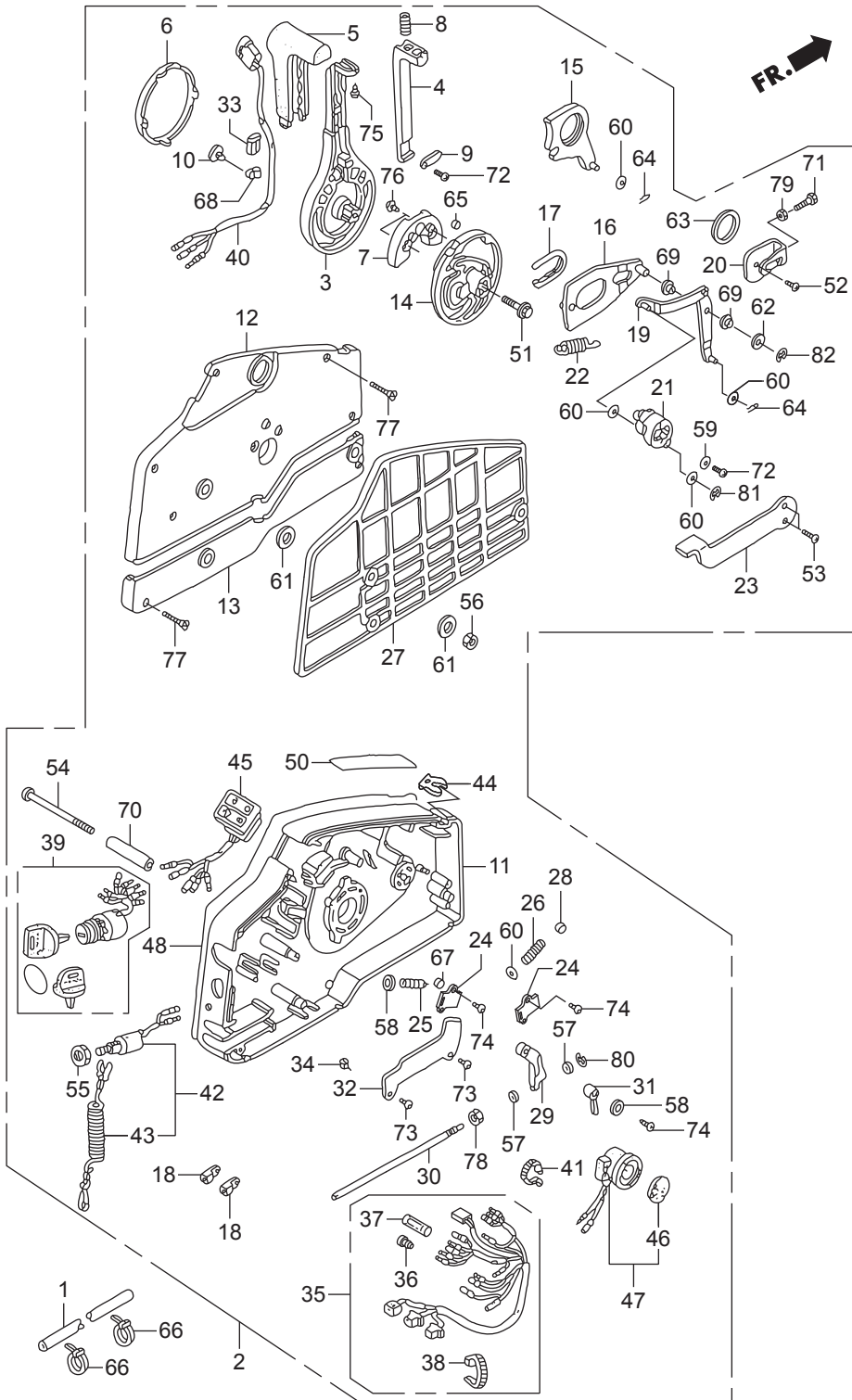






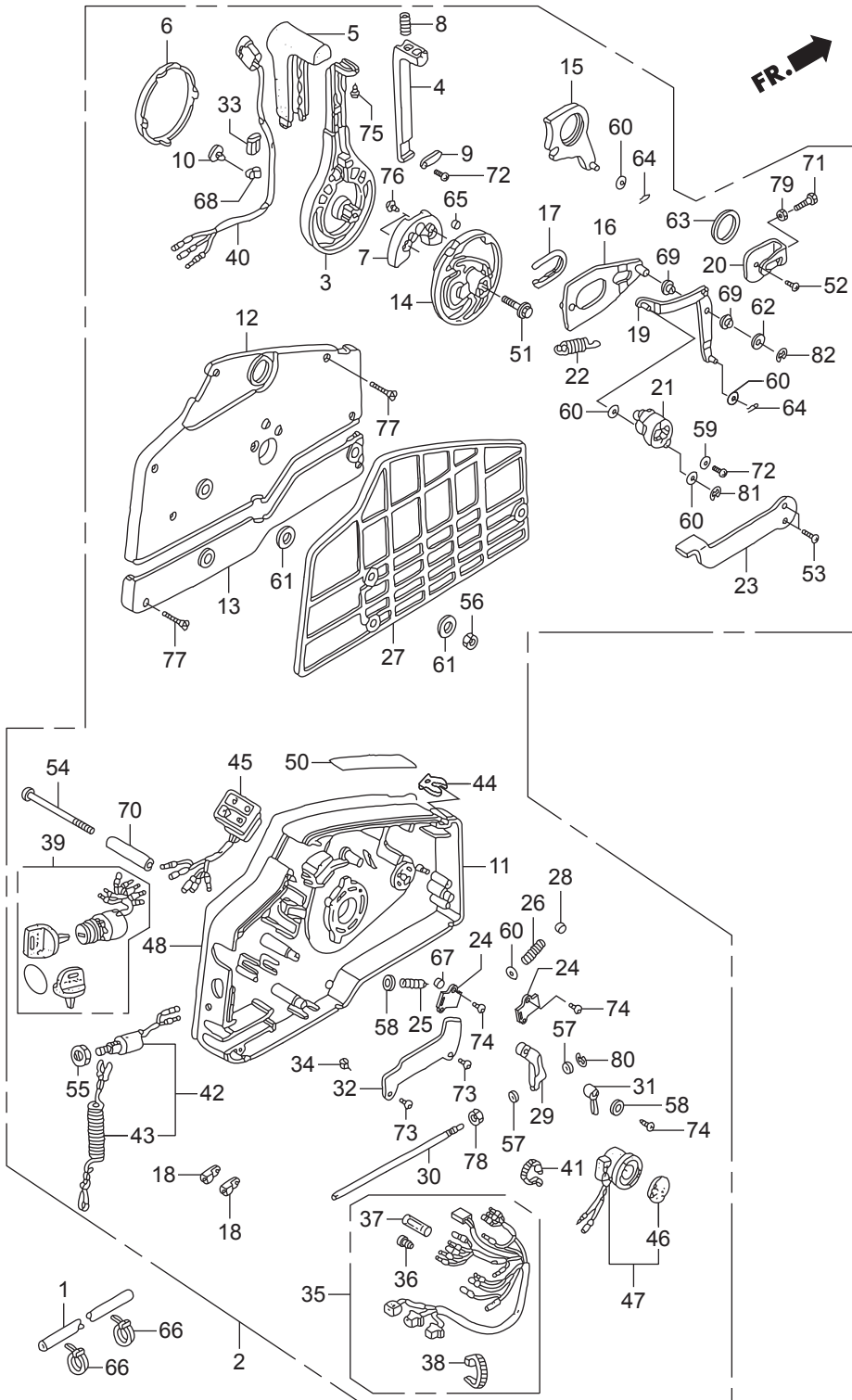
F-15

REMOTE CONTROL BOX
(HI-LEX)(HANDLE CAP = GRAY)



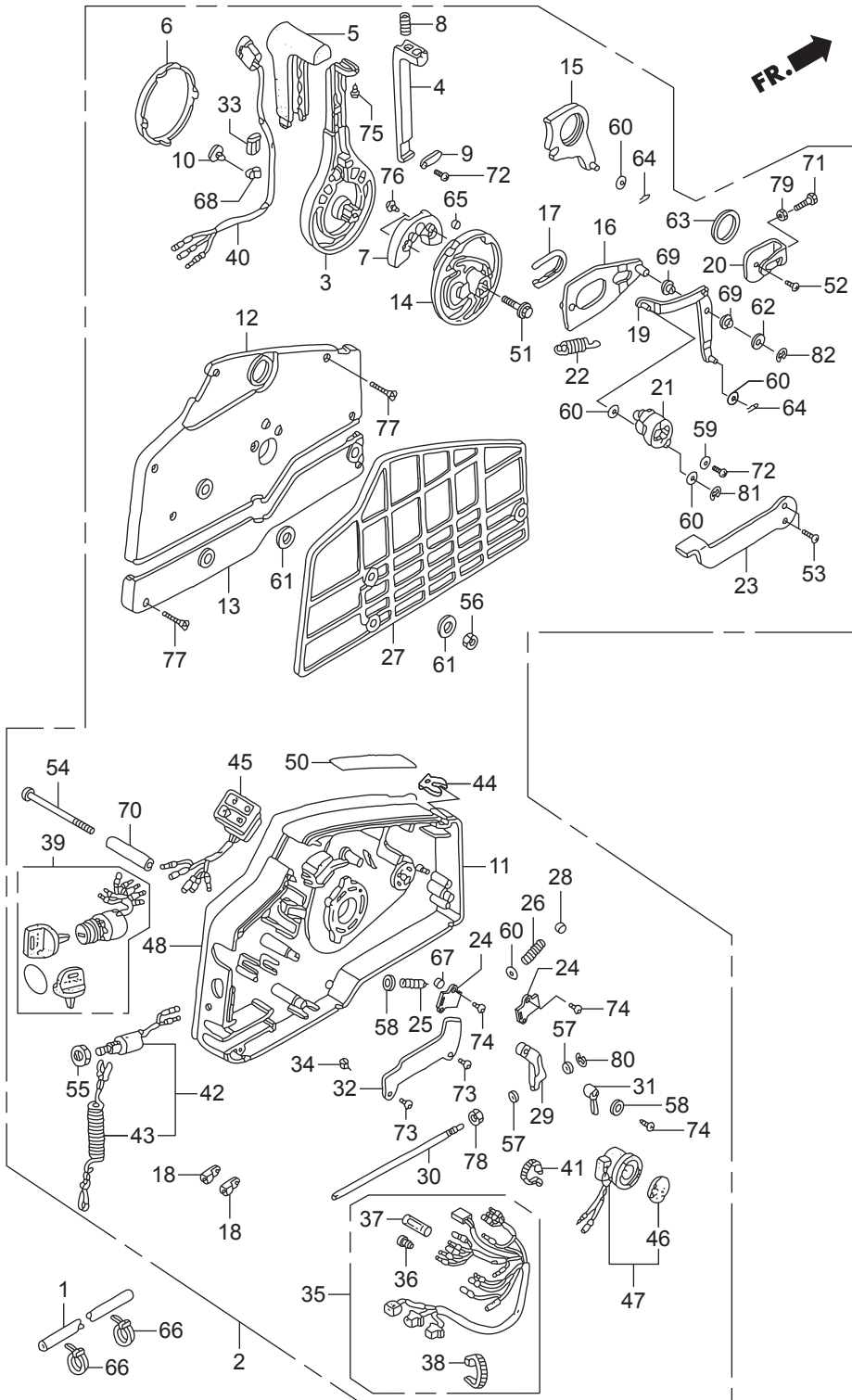
Ref.No.	Part No.	Description	Q' ty		Remarks	
			BFT60A	BFW60A		
F-15	1	HZW1-17736-000	TUBE, CORRUGATE(28MM)	1	1	
F-15	2	HZZ3-24800-R00	BOX ASSY., REMOTE CONTROL(EU) (HI-LEX)	1	1	
F-15	3	HZV5-24811-010	HANDLE, REMOTE CONTROL	1	1	
F-15	4	HZV5-24812-000	LEVER, HANDLE LOCK	1	1	
F-15	5	HZV5-24813-000	GRIP, REMOTE CONTROL HANDLE	1	1	
F-15	6	HZV5-24814-010	CAP, HANDLE	1	1	
F-15	7	HZV5-24815-010	BLOCK, NEUTRAL LOCK	1	1	
F-15	8	HZV5-24816-000	SPRING, REMOTE CONTROL HANDLE	1	1	
F-15	9	HZV5-24817-000	PLATE, LEVER SETTING	1	1	
F-15	10	HZV5-24818-003	CLAMP, HARNESS	1	1	
F-15	11	HZV5-24820-010	HOUSING COMP., REMOTE CONTROL BOX(A)	1	1	
F-15	12	HZV5-24830-010	HOUSING COMP., REMOTE CONTROL BOX(B)	1	1	
F-15	13	HZV5-24836-000	HOUSING, REMOTE CONTROL BOX(C)	1	1	
F-15	14	HZV5-24841-000	WHEEL, CONTROL	1	1	
F-15	15	HZV5-24845-000	ARM COMP., SHIFT LINK	1	1	
F-15	16	HZV5-24850-000	PLATE COMP., SLIDING	1	1	
F-15	17	HZV5-24854-000	COLLAR, SLIDING PLATE	1	1	
F-15	18	HZV5-24855-000	PIVOT, SHIFT	2	2	
F-15	19	HZV5-24860-000	ARM COMP., LINK JOINT	1	1	
F-15	20	HZV5-24865-000	BRACKET, LINK JOINT	1	1	
F-15	21	HZV5-24875-000	WHEEL, ACCELERATOR	1	1	
F-15	22	HZV5-24876-000	SPRING, ACCELERATOR WHEEL	1	1	
F-15	23	HZV5-24878-000	LEVER, IDLE	1	1	
F-15	24	HZV5-24881-000	PLATE, SPRING SETTING	2	2	
F-15	25	HZV5-24883-000	SPRING, SHIFT CLICK	1	1	
F-15	26	HZV5-24884-000	SPRING, CHOKE RETURN	1	1	
F-15	27	HZV5-24885-000	SPACER, REMOTE CONTROL BOX	1	1	
F-15	28	HZV5-24887-000	SPACER, CLICK SPRING	1	1	
F-15	29	HZV5-24891-000	BLOCK, THROTTLE FRICTION	1	1	

REMOTE CONTROL BOX
(HI-LEX)(HANDLE CAP = GRAY)

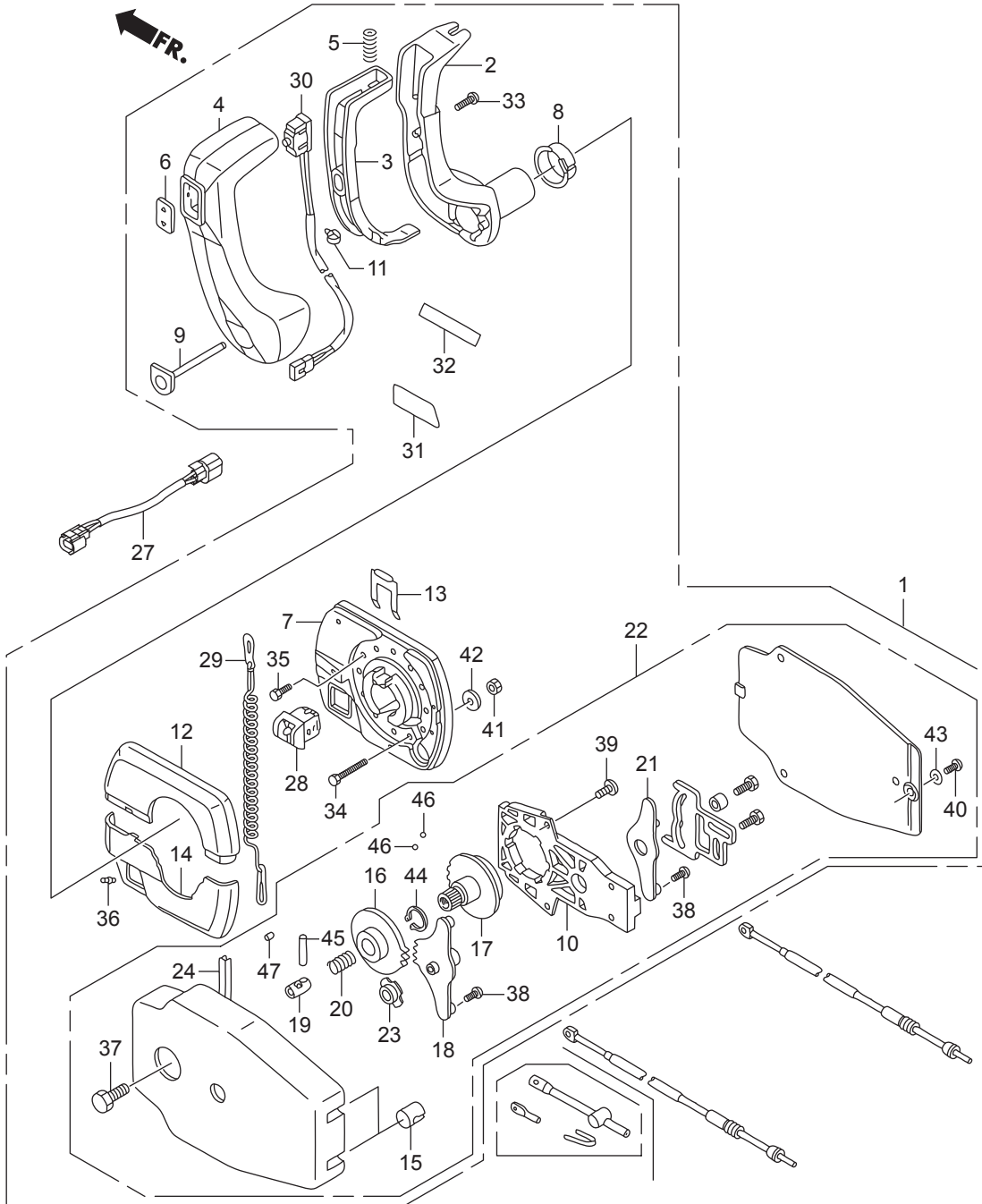


Ref.No.	Part No.	Description	Q'ty		Remarks	
			BFT60A	BFW60A		
F-15	30	HZV5-24892-000	BOLT, FRICTION	1	1	
F-15	31	HZV5-24894-000	SPACER, NEUTRAL SWITCH	1	1	
F-15	32	HZV5-24895-000	CLAMP, POWER TILT CORD	1	1	
F-15	33	HZV5-24897-000	PIPE, HARNESS GUIDE	1	1	
F-15	34	HZV5-24898-000	SPACER, CABLE CLAMP	1	1	
F-15	35	HZZ5-32530-000	CABLE ASSY., REMOTE CONTROL(B)	1	1	
F-15	36	HZV5-32823-003	PLUG, INNER CONNECTOR	7	7	
F-15	37	HZV5-32824-003	PLUG, OUTER CONNECTOR	1	1	
F-15	38	H952-32901-770	TIE, CABLE(NATURAL)(2.4X92)	1	1	
F-15	39	HZZ3-35100-R11	SWITCH ASSY., COMBINATION	1	1	
F-15	40	HZV5-35370-823	SWITCH ASSY., POWER TRIM-TILT	1	1	
F-15	41	HMG9-35701-950	BAND(BLACK 3.5X140)	1	1	
F-15	42	HZV5-36180-033	SWITCH ASSY., EMERGENCY STOP	1	1	
F-15	43	HZV4-36182-651	CORD COMP., EMERGENCY	1	1	
F-15	44	HZV4-36187-652	CLIP, EMERGENCY LOCK	1	1	
F-15	45	HZZ5-37210-013	LAMP ASSY., INDICATION	1	1	
F-15	46	H341-38403-672	PLATE, WINKER BUZZER	1	1	
F-15	47	HZV5-38410-003	BUZZER COMP., WARNING	1	1	
F-15	48	HZZ3-87701-R00	PLATE, REMOTE CONTROL	1	1	
F-15	50	HZW9-87702-800	MARK, FAST IDLE	1	1	
F-15	51	HZW9-90008-000	BOLT, FLANGE, 8X35	1	1	
F-15	52	HMM4-90105-000	SCREW, PAN, 6X10	1	1	
F-15	53	HZW4-90108-000	SCREW, FLAT, 5X12	2	2	
F-15	54	HZV5-90125-000	SCREW, 6X95	3	3	
F-15	55	H921-90302-000	NUT, HEX., 16MM	1	1	
F-15	56	HZV4-90304-000	NUT, HEX., 6MM	3	3	
F-15	57	HZW4-90401-000	WASHER, PLAIN, 4MM	2	2	
F-15	58	HZW4-90402-000	WASHER, PLAIN, 5MM	2	2	
F-15	59	HZV4-90502-000	WASHER, PLAIN, 5MM	1	1	

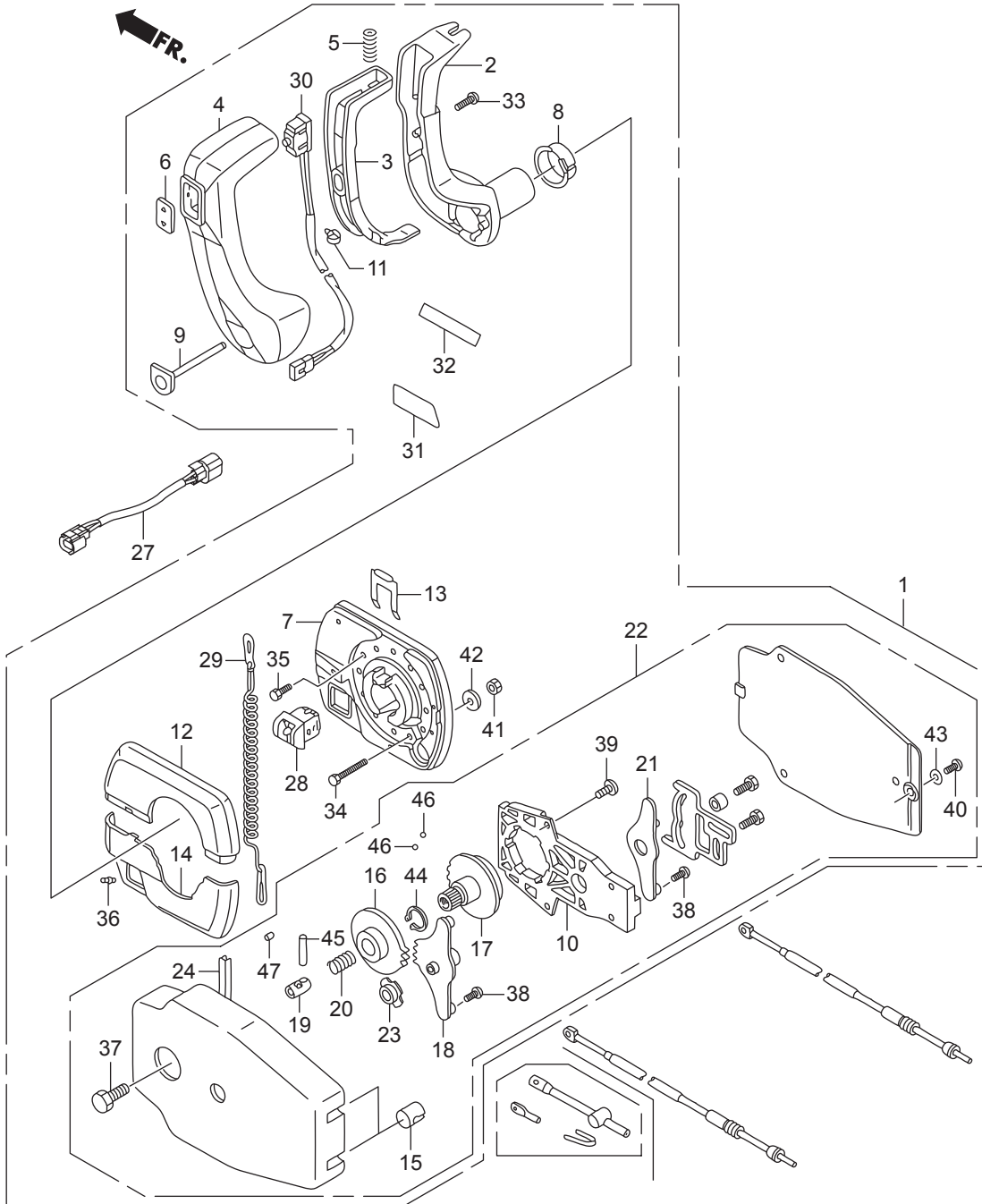
REMOTE CONTROL BOX
(HI-LEX)(HANDLE CAP = GRAY)



Ref.No.	Part No.	Description	Q'ty		Remarks	
			BFT60A	BFW60A		
F-15	60	H921-90504-010	WASHER, PLAIN, 6MM	5	5	
F-15	61	H921-90512-010	WASHER, 6MM	6	6	
F-15	62	H921-90518-000	WASHER, PLAIN, 8MM	1	1	
F-15	63	HZV5-90557-000	WASHER, 28MM	1	1	
F-15	64	HZV5-90751-000	PIN, LOCK, 6MM	2	2	
F-15	65	HZV5-90772-000	PIN, 6X6	1	1	
F-15	66	HMG9-91058-681	BAND, SELF LOCK	2	2	
F-15	67	HZV5-91151-000	ROLLER, CLICK	1	1	
F-15	68	HSB6-91475-000	CLIP, WIRE HARNESS(6.3MM)	1	1	
F-15	69	HZV5-91567-000	COLLAR, LINK JOINT	2	2	
F-15	70	HZV5-91570-000	COLLAR, DISTANCE, 6X10X43.5	3	3	
F-15	71	HCO-92101-05016-4J	BOLT, HEX., 5X16	1	1	
F-15	72	HCO-93500-05010-4J	SCREW, PAN, 5X10	2	2	
F-15	73	HCO-93901-250J0	SCREW, TAPPING, 5X8	2	2	
F-15	74	HCO-93901-251J0	SCREW, TAPPING, 5X10	3	3	
F-15	75	HCO-93901-252J0	SCREW, TAPPING, 5X12	1	1	
F-15	76	HCO-93903-262J0	SCREW, TAPPING, 6X16	2	2	
F-15	77	HCO-93905-255J0	SCREW, TAPPING, 5X25	7	7	
F-15	78	HCO-94001-06490-0S	NUT, HEX., 6MM	1	1	
F-15	79	HCO-94002-05490-0S	NUT, HEX., 5MM	1	1	
F-15	80	HCO-94540-03029	E-RING, 3MM	1	1	
F-15	81	HCO-94540-04029	E-RING, 4MM	1	1	
F-15	82	HCO-94540-07029	E-RING, 7MM	1	1	



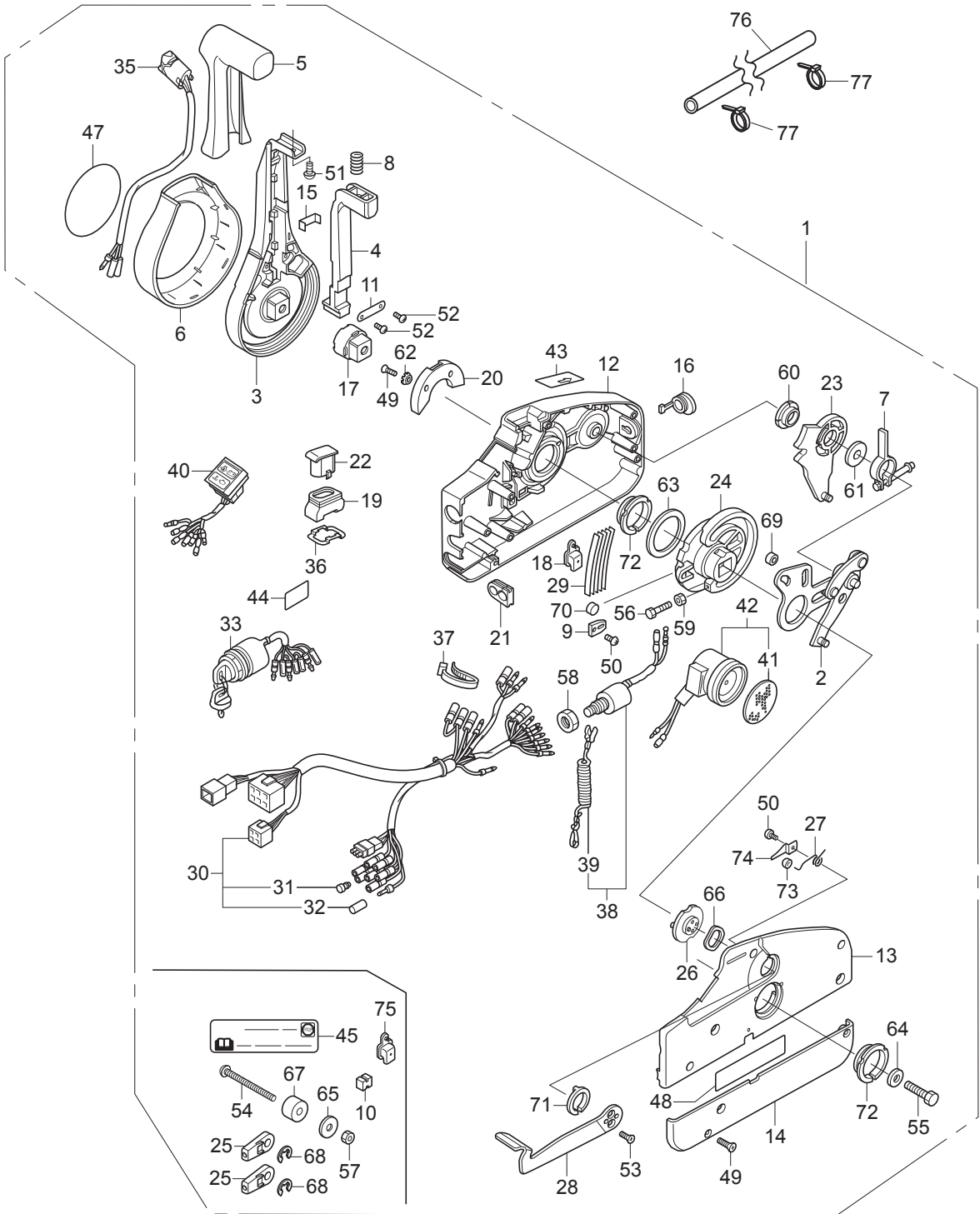
Ref.No.	Part No.	Description	Q'ty		Remarks	
			BFT60A	BFW60A		
F-15-1	1	HZW1-24800-V21	BOX ASSY., REMOTE CONTROL	1	1	(PANEL MOUNT)
F-15-1	2	HZW1-24811-V21	HANDLE, REMOTE CONTROL	1	1	
F-15-1	3	HZW1-24812-V21	LEVER, HANDLE LOCK	1	1	
F-15-1	4	HZW1-24813-V21	GRIP, REMOTE CONTROL HANDLE	1	1	
F-15-1	5	HZW1-24816-V21	SPRING, REMOTE CONTROL HANDLE	1	1	
F-15-1	6	HZW1-24819-V21	COVER, GRIP	1	1	
F-15-1	7	HZW1-24820-V21	HOUSING ASSY., REMOTE CONTROL BOX(A)	1	1	
F-15-1	8	HZW1-24821-003	BUSHING	1	1	
F-15-1	9	HZW1-24822-V21	BUTTON, THROTTLE	1	1	
F-15-1	10	HZW1-24825-V01	FRAME ASSY., REMOTE CONTROL BOX	1	1	
F-15-1	11	HZW1-24829-003	BAND, CABLE(B)	1	1	
F-15-1	12	HZW1-24830-V21	HOUSING, REMOTE CONTROL BOX(B)	1	1	
F-15-1	13	HZW1-24834-003	RETAINER	1	1	
F-15-1	14	HZW1-24836-V21	HOUSING, REMOTE CONTROL BOX(C)	1	1	
F-15-1	15	HZW1-24839-V01	GROMMET	2	2	
F-15-1	16	HZW1-24841-V01	WHEEL, CONTROL	1	1	
F-15-1	17	HZW1-24843-V01	SHAFT, HANDLE	1	1	
F-15-1	18	HZW1-24845-V01	ARM ASSY., SHIFT LINK	1	1	
F-15-1	19	HZW1-24847-V01	SHAFT, GEAR SHIFT	1	1	
F-15-1	20	HZW1-24848-V01	SPRING, GEAR SHIFT	1	1	
F-15-1	21	HZW1-24865-V01	ARM ASSY., THROTTLE LINK	1	1	
F-15-1	22	HZW1-24870-V21	HOUSING ASSY., INNER	1	1	(PANEL MOUNT)
F-15-1	23	HZW1-24873-V01	BUSH	1	1	
F-15-1	24	HZW1-24883-V01	SPRING, SHIFT CLICK	5	5	
F-15-1	27	HZW5-32167-650	HARNES ASSY., POWER TRIM-TILT	1	1	
F-15-1	28	HZW1-35180-003	SWITCH ASSY., EMERGENCY STOP	1	1	
F-15-1	29	HZW1-35182-003	CORD COMP., EMERGENCY	1	1	
F-15-1	30	HZW1-35370-V01	SWITCH ASSY., POWER TRIM-TILT (A)	1	1	
F-15-1	31	HZW1-87705-003	MARK, REMOTE CONTROL(A)(PANEL)	1	1	

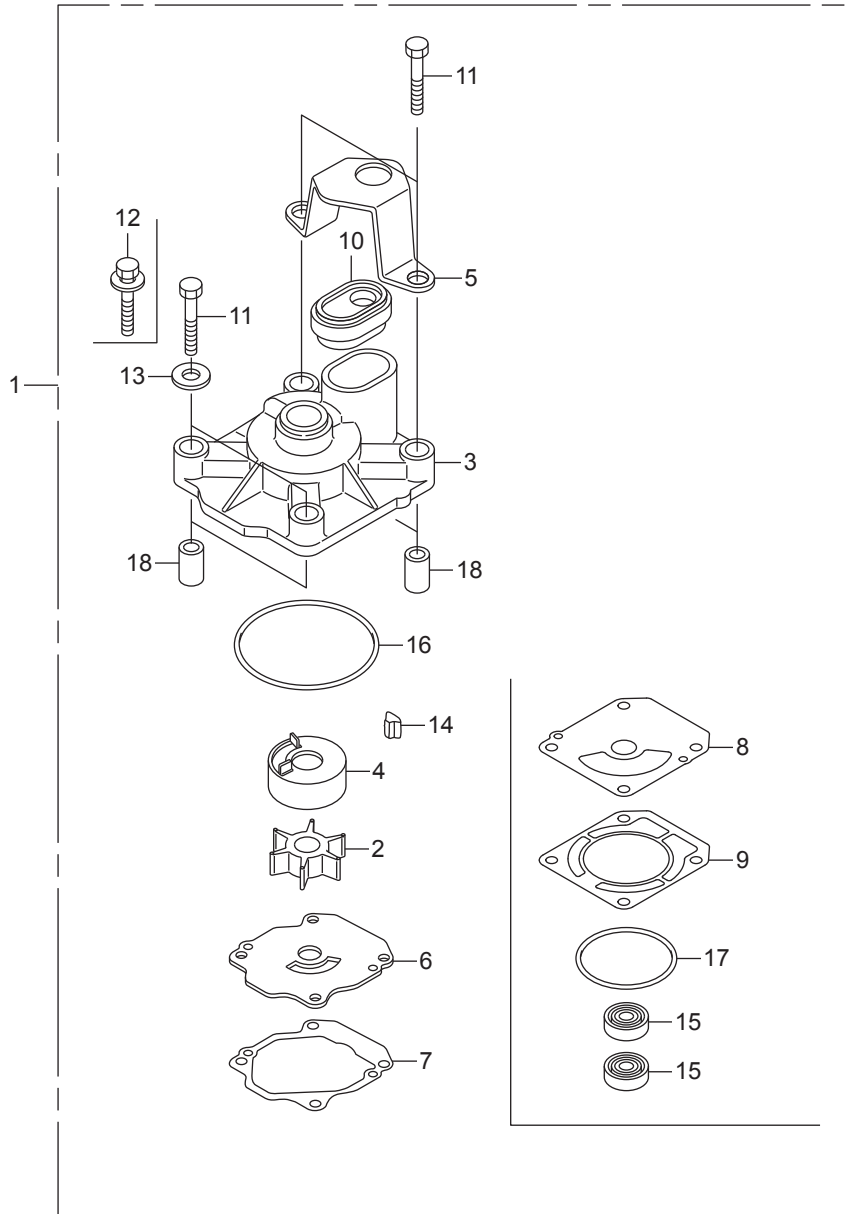


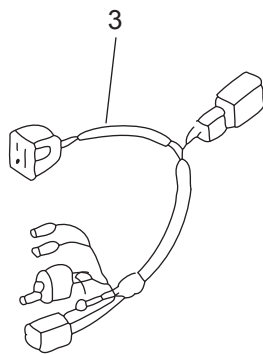
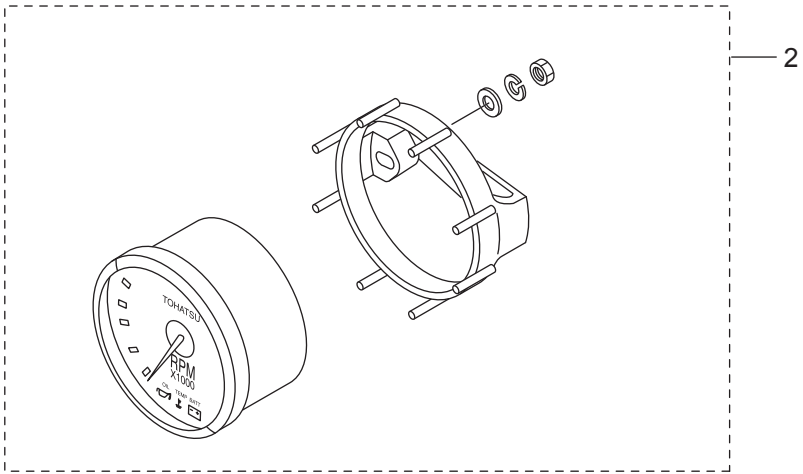
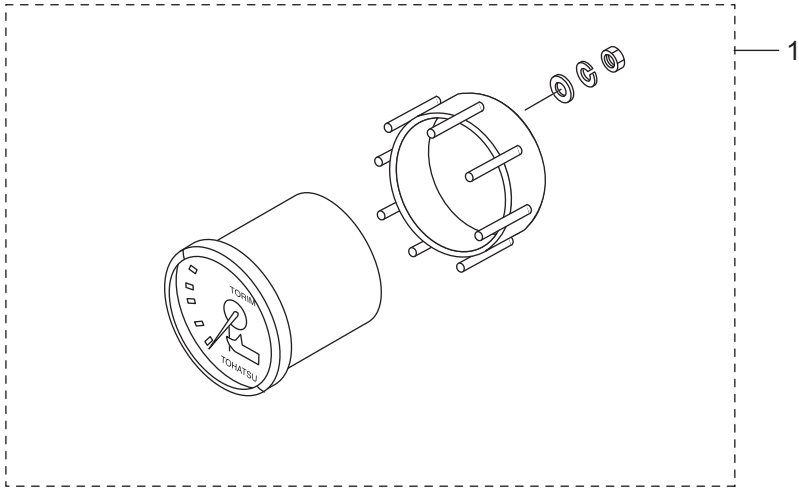
Ref.No.	Part No.	Description	Q'ty		Remarks	
			BFT60A	BFW60A		
F-15-2	1	HZZ3-24800-P12	BOX ASSY., REMOTE CONTROL(NHK MEC)	1	1	
F-15-2	2	HZZ5-24810-D01	PLATE ASSY.	1	1	
F-15-2	3	HZZ5-24811-D01	LEVER, HAND	1	1	
F-15-2	4	HZZ5-24812-D01	ARM, NEUTRAL LOCK	1	1	
F-15-2	5	HZZ5-24813-D01	GRIP	1	1	
F-15-2	6	HZZ5-24814-D01	COVER, LEVER	1	1	
F-15-2	7	HZZ5-24815-D01	ARM ASSY., BRAKE	1	1	
F-15-2	8	HZZ5-24816-D01	SPRING(2)	1	1	
F-15-2	9	HZZ5-24817-D01	CLIP, DETENT	1	1	
F-15-2	10	HZZ5-24818-D01	SPACER(1)(LOOSE PARTS)	1	1	
F-15-2	11	HZZ5-24819-D01	BRACKET	1	1	
F-15-2	12	HZZ5-24821-D01	HOUSING, FR.	1	1	
F-15-2	13	HZZ5-24822-D01	HOUSING, RR.	1	1	
F-15-2	14	HZZ5-24823-D01	PANEL, BACK	1	1	
F-15-2	15	HZZ5-24824-D01	BRACKET, WIRE CLAMP	1	1	
F-15-2	16	HZZ5-24826-D01	CAP, RUBBER	1	1	
F-15-2	17	HZZ5-24827-D01	ADJUSTER	1	1	
F-15-2	18	HZZ5-24828-D01	COVER, POWER TRIM-TILT WIRE	1	1	
F-15-2	19	HZZ5-24829-D01	SEAL, RUBBER	1	1	
F-15-2	20	HZZ5-24831-D01	HOLDER, NEUTRAL LOCK	1	1	
F-15-2	21	HZZ5-24832-D01	GROMMET, WIRE(14)	1	1	
F-15-2	22	HZZ5-24833-D01	CAP, TROLLING CONTROL SWITCH BLANK	1	1	
F-15-2	23	HZZ5-24845-D01	GEAR ASSY., SHIFT	1	1	
F-15-2	24	HZZ5-24850-D01	GEAR, DRIVE	1	1	
F-15-2	25	HZZ5-24855-D01	TERMINAL, CABLE(LOOSE PARTS)	2	2	
F-15-2	26	HZZ5-24875-D01	DRUM ASSY., FREE THROTTLE	1	1	
F-15-2	27	HZZ5-24876-D01	SPRING(1)	1	1	
F-15-2	28	HZZ5-24878-D01	LEVER, FREE THROTTLE	1	1	
F-15-2	29	HZZ5-24883-D01	SPRING, DETENT	5	5	

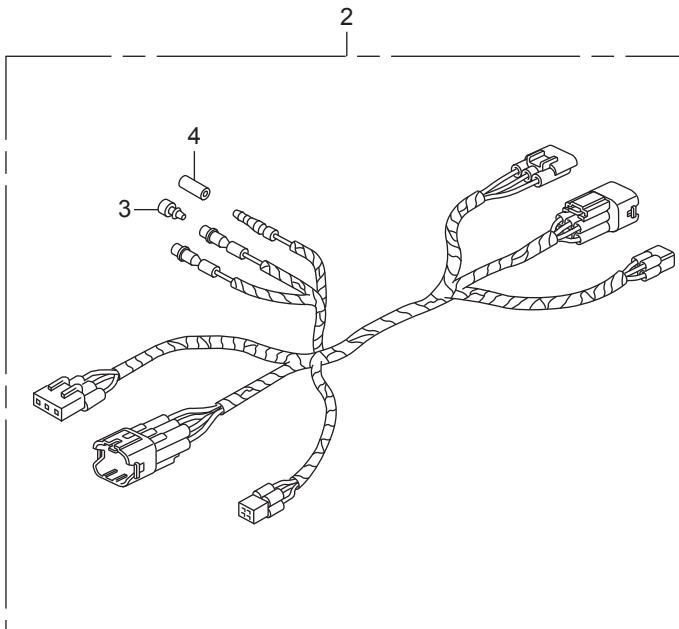
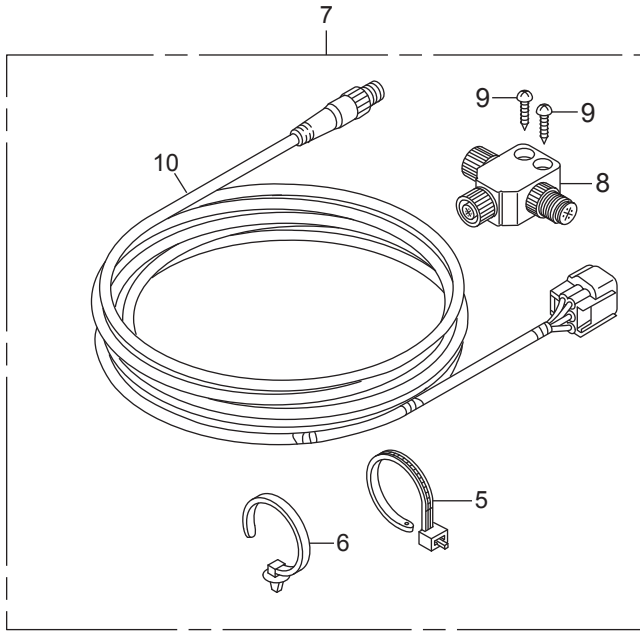
Ref.No.	Part No.	Description	Q'ty		Remarks	
			BFT60A	BFW60A		
F-15-2	30	HZZ5-32530-D01	CABLE ASSY., REMOTE CONTROL(B)	1	1	
F-15-2	31	HZV5-32823-003	PLUG, INNER CONNECTOR	7	7	
F-15-2	32	HZV5-32824-003	PLUG, OUTER CONNECTOR	1	1	
F-15-2	33	HZZ3-35100-R11	SWITCH ASSY., COMBINATION	1	1	
F-15-2	35	HZZ5-35370-D02	SWITCH ASSY., POWER TRIM-TILT	1	1	
F-15-2	36	HZZ3-35645-A41	PLATE, SWITCH	1	1	
F-15-2	37	HZZ5-35701-D01	BAND, WIRE	1	1	
F-15-2	38	HZV5-36180-033	SWITCH ASSY., EMERGENCY STOP	1	1	
F-15-2	39	HZV4-36182-651	CORD COMP., EMERGENCY	1	1	
F-15-2	40	HZZ5-37210-D01	LAMP ASSY., INDICATION	1	1	
F-15-2	41	H341-38403-672	PLATE, WINKER BUZZER	1	1	
F-15-2	42	HZV5-38410-003	BUZZER COMP., WARNING	1	1	
F-15-2	43	HZZ5-87701-D00	MARK, FAST IDLE	1	1	
F-15-2	44	HZZ5-87702-A00	MARK, EMERGENCY STOP(US)	1	1	
F-15-2	45	HZZ5-87702-A00	MARK, EMERGENCY STOP(US)(LOOSE PARTS)	1	1	
F-15-2	47	HZZ5-87703-P00	MARK, EMBLEM	1	1	
F-15-2	48	HZZ5-87704-D01	LABEL, SIGP	1	1	
F-15-2	49	HZZ5-90101-D01	SCREW, 5X18	7	7	
F-15-2	50	HZZ5-90102-D01	SCREW, 4X6	2	2	
F-15-2	51	HZZ5-90103-D01	SCREW, 5X10	1	1	
F-15-2	52	HZZ5-90104-D01	SCREW, 4X10	2	2	
F-15-2	53	HZZ5-90106-D01	SCREW, 5X12	2	2	
F-15-2	54	HZZ5-90107-D01	SCREW, 6X90(LOOSE PARTS)	3	3	
F-15-2	55	HZZ5-90108-D01	BOLT, 8X50	1	1	
F-15-2	56	HZZ5-90109-D01	BOLT, 5X25	1	1	
F-15-2	57	HZZ5-90301-D01	NUT, 6MM(LOOSE PARTS)	3	3	
F-15-2	58	H921-90302-000	NUT, HEX., 16MM	1	1	
F-15-2	59	HZZ5-90302-D01	NUT, 5MM	1	1	
F-15-2	60	HZZ5-90501-D01	BEARING(1)	1	1	

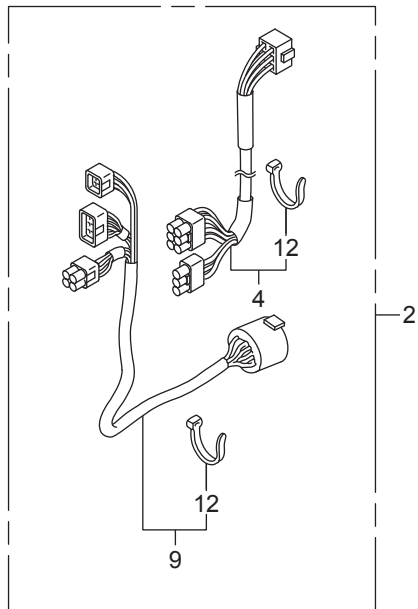
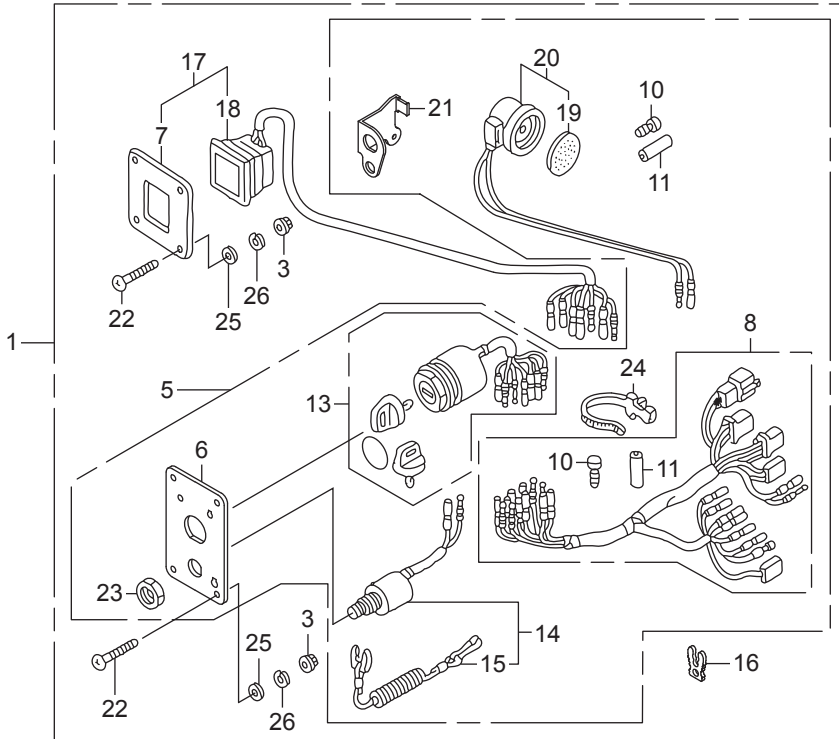
REMOTE CONTROL
(NHK MEC) (HANDLE CAP = CHROME)



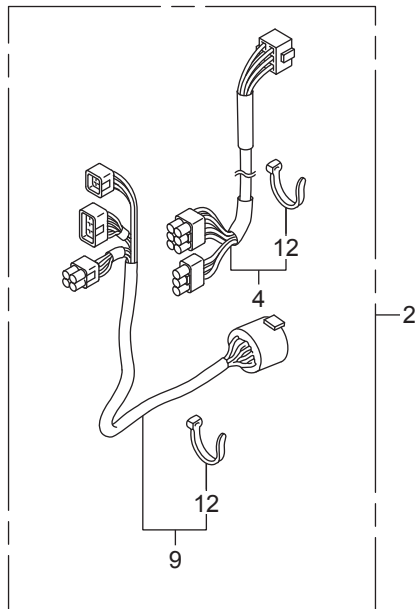
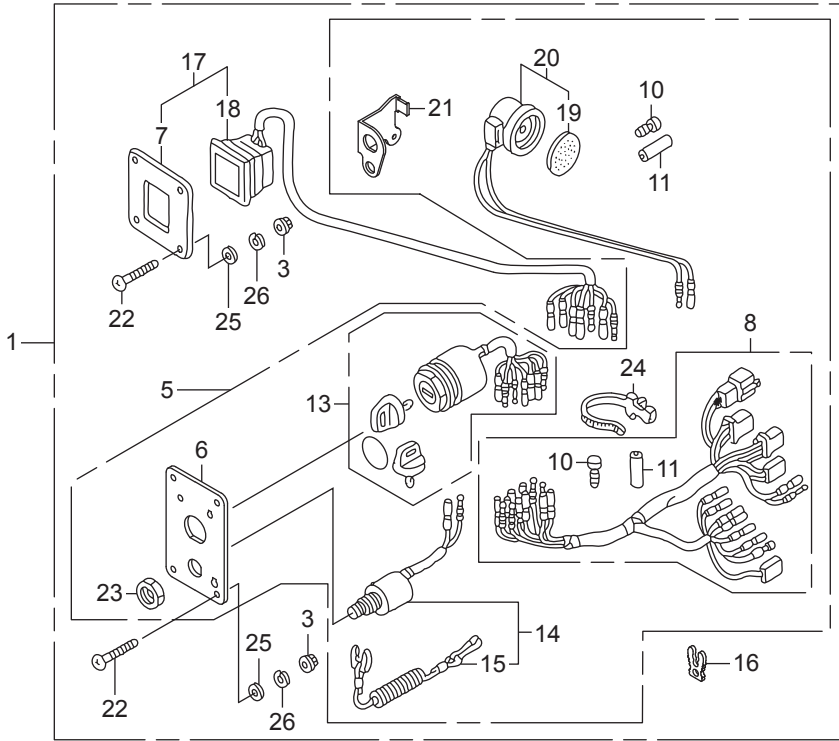


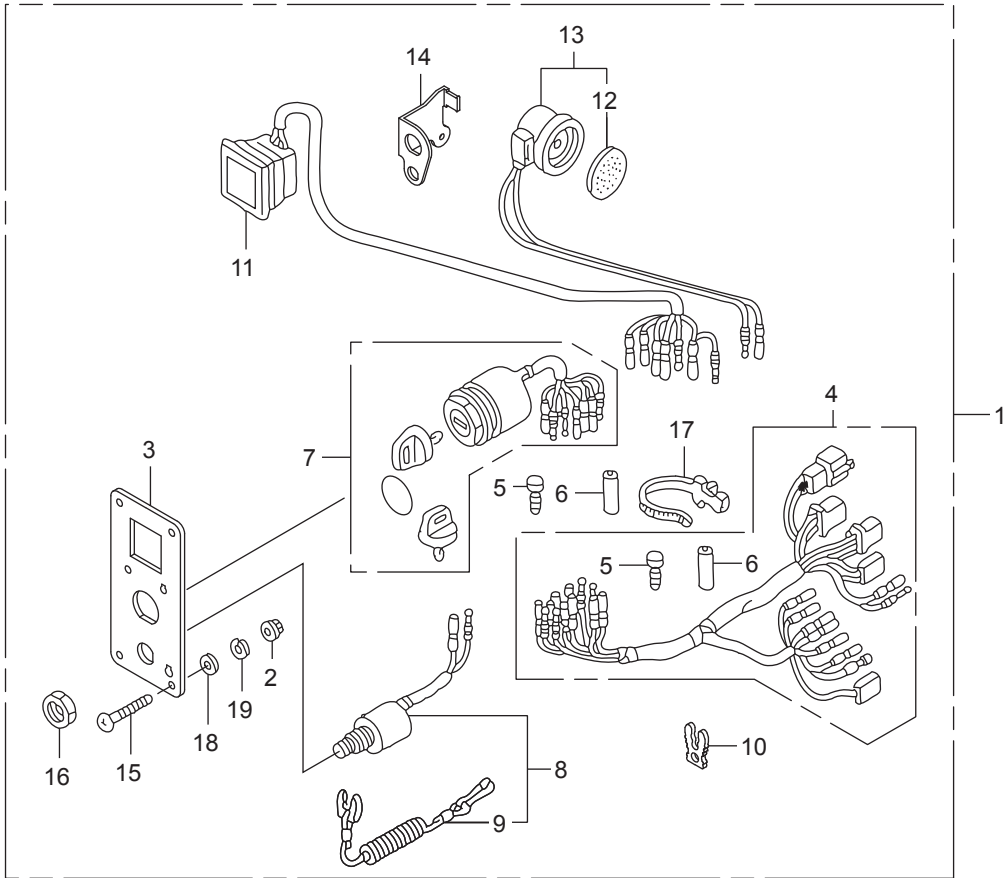


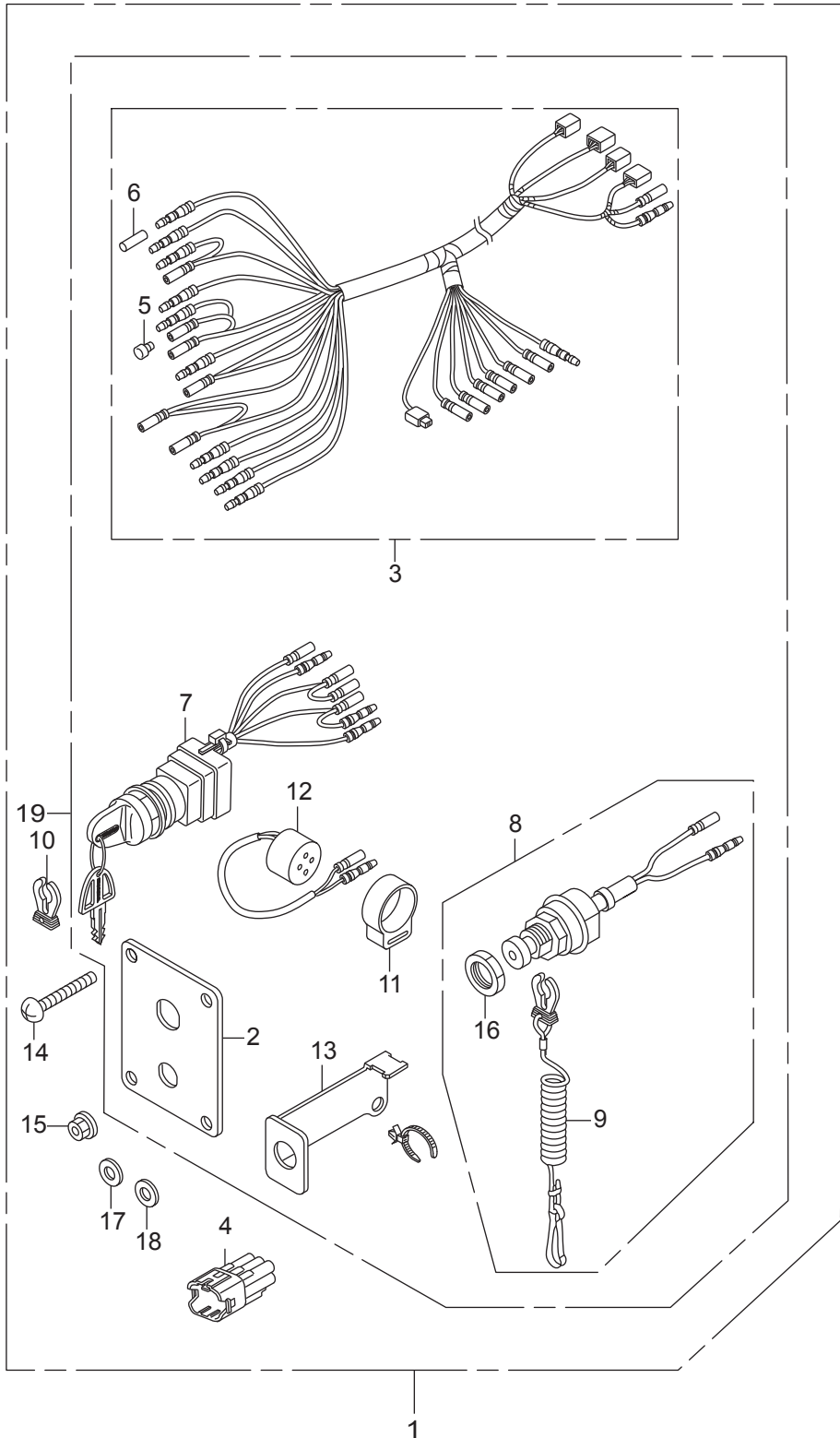


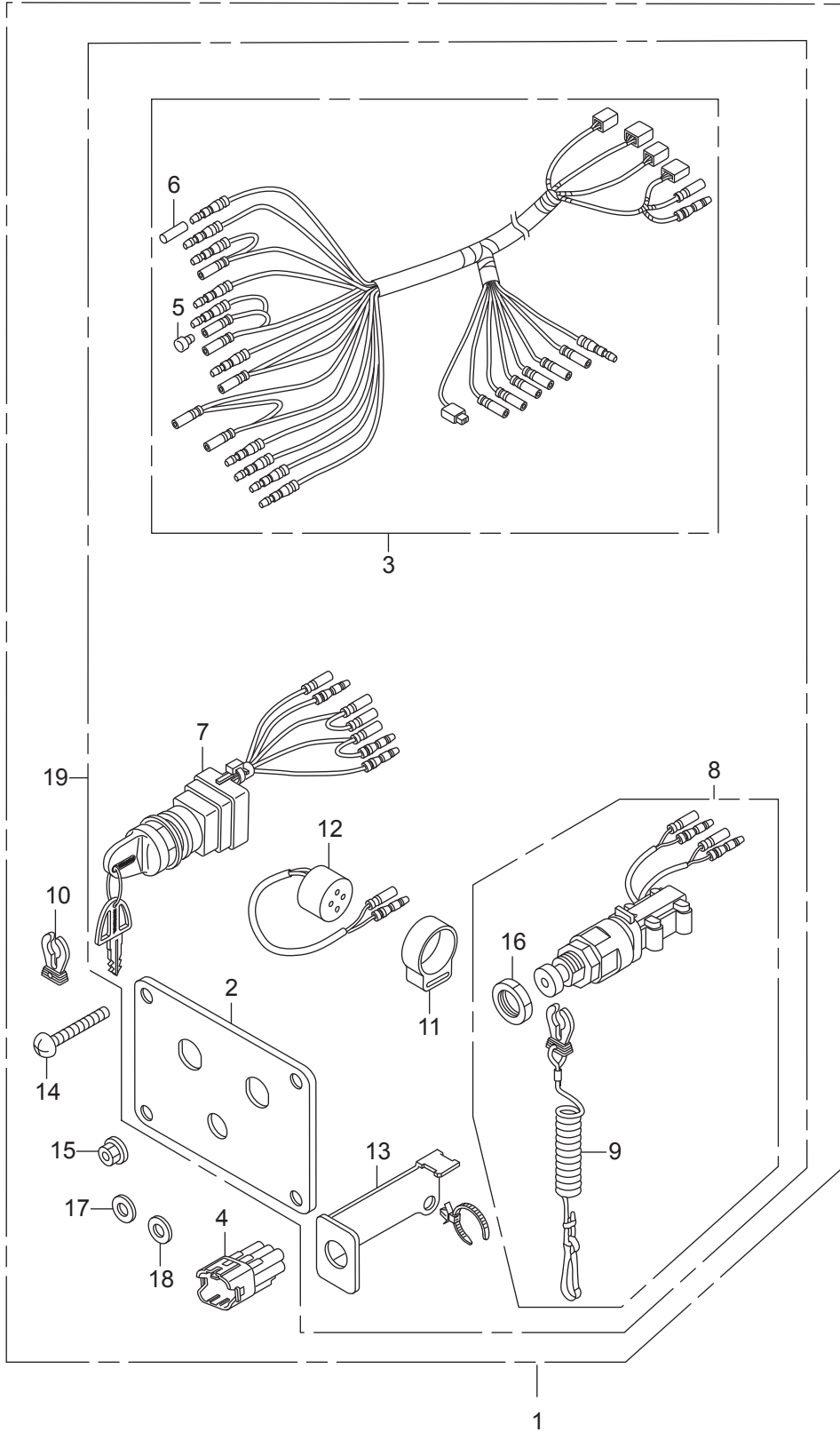


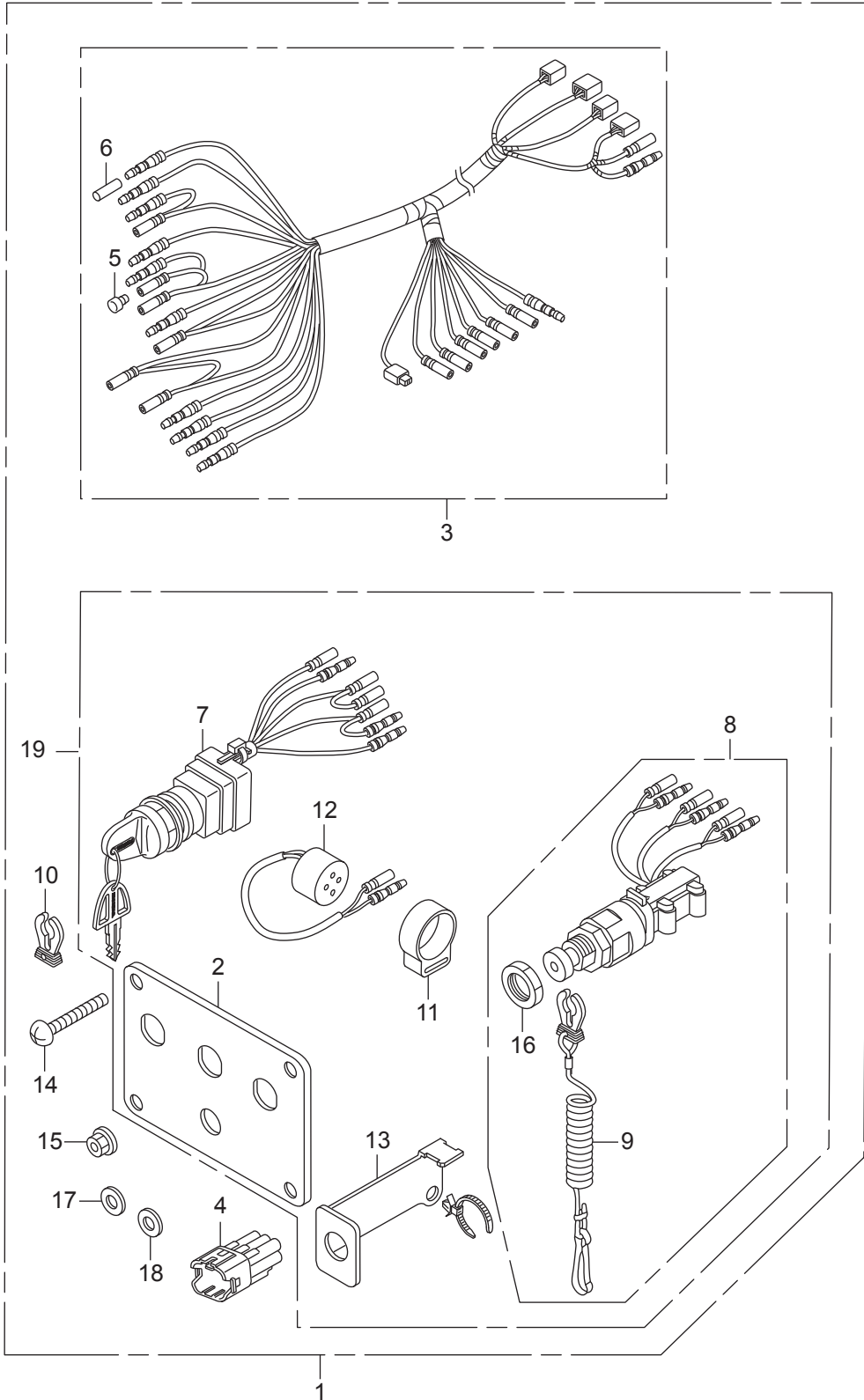
Ref.No.	Part No.	Description	Q'ty		Remarks	
			BFT60A	BFW60A		
FOP-3	1	HZZ3-06323-R20	PANEL KIT, SWITCH(B)(4-LED)	1	1	
FOP-3	2	HZZ5-06325-600	CABLE SET, PANEL INDICATOR (20FT)	1	1	
FOP-3	2	HZZ5-06325-700	CABLE SET, PANEL INDICATOR (25FT)	1	1	
FOP-3	2	HZZ5-06325-800	CABLE SET, PANEL INDICATOR (30FT)	1	1	
FOP-3	3	HMT8-18334-770	NUT, FLANGE, 5MM	8	8	
FOP-3	4	HZZ5-32185-600	CORD ASSY., INDICATOR(20FT)	1	1	
FOP-3	4	HZZ5-32185-700	CORD ASSY., INDICATOR(25FT)	1	1	
FOP-3	4	HZZ5-32185-800	CORD ASSY., INDICATOR(30FT)	1	1	
FOP-3	5	HZZ3-32341-R31	PANEL ASSY., SWITCH	1	1	
FOP-3	6	HZZ3-32346-R21	PANEL, CONTROL	1	1	
FOP-3	7	HZZ3-32347-R01	PANEL, CONTROL	1	1	
FOP-3	8	HZZ5-32545-000	HARNESS ASSY., SWITCH PANEL	1	1	
FOP-3	9	HZZ5-32580-600	CABLE ASSY., SWITCH PANEL (20FT)	1	1	
FOP-3	9	HZZ5-32580-700	CABLE ASSY., SWITCH PANEL (25FT)	1	1	
FOP-3	9	HZZ5-32580-800	CABLE ASSY., SWITCH PANEL (30FT)	1	1	
FOP-3	9	HZZ5-32580-D01	CABLE ASSY., SWITCH PANEL(20FT)	1	1	(NHK MEC)
FOP-3	9	HZZ5-32580-D11	CABLE ASSY., SWITCH PANEL(25FT)	1	1	(NHK MEC)
FOP-3	9	HZZ5-32580-D21	CABLE ASSY., SWITCH PANEL(30FT)	1	1	(NHK MEC)
FOP-3	10	HZV5-32823-003	PLUG, INNER CONNECTOR	8	8	
FOP-3	11	HZV5-32824-003	PLUG, OUTER CONNECTOR	3	3	
FOP-3	12	H952-32901-770	TIE, CABLE(NATURAL)(2.4X92)	6	6	
FOP-3	13	HZZ3-35100-R11	SWITCH ASSY., COMBINATION	1	1	
FOP-3	14	HZV5-36180-033	SWITCH ASSY., EMERGENCY STOP	1	1	
FOP-3	15	HZV4-36182-651	CORD COMP., EMERGENCY	1	1	
FOP-3	16	HZV4-36187-652	CLIP, EMERGENCY LOCK	1	1	
FOP-3	17	HZZ3-37205-R01	PANEL ASSY., INDICATOR(4-LED)	1	1	
FOP-3	18	HZZ5-37210-762	LAMP ASSY., INDICATION(4-LED)	1	1	
FOP-3	19	H341-38403-672	PLATE, WINKER BUZZER	1	1	
FOP-3	20	HZV5-38410-003	BUZZER COMP., WARNING	1	1	

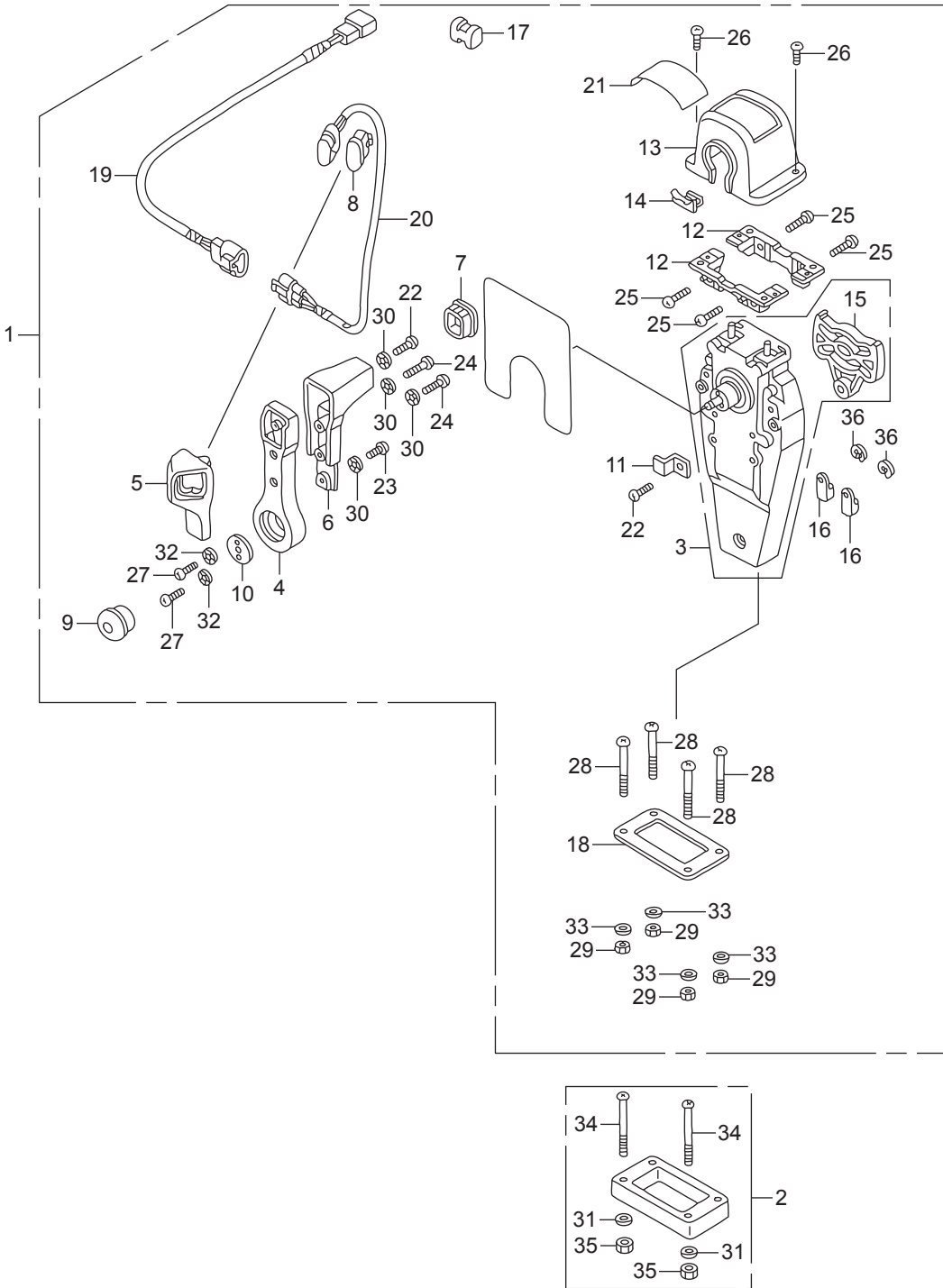




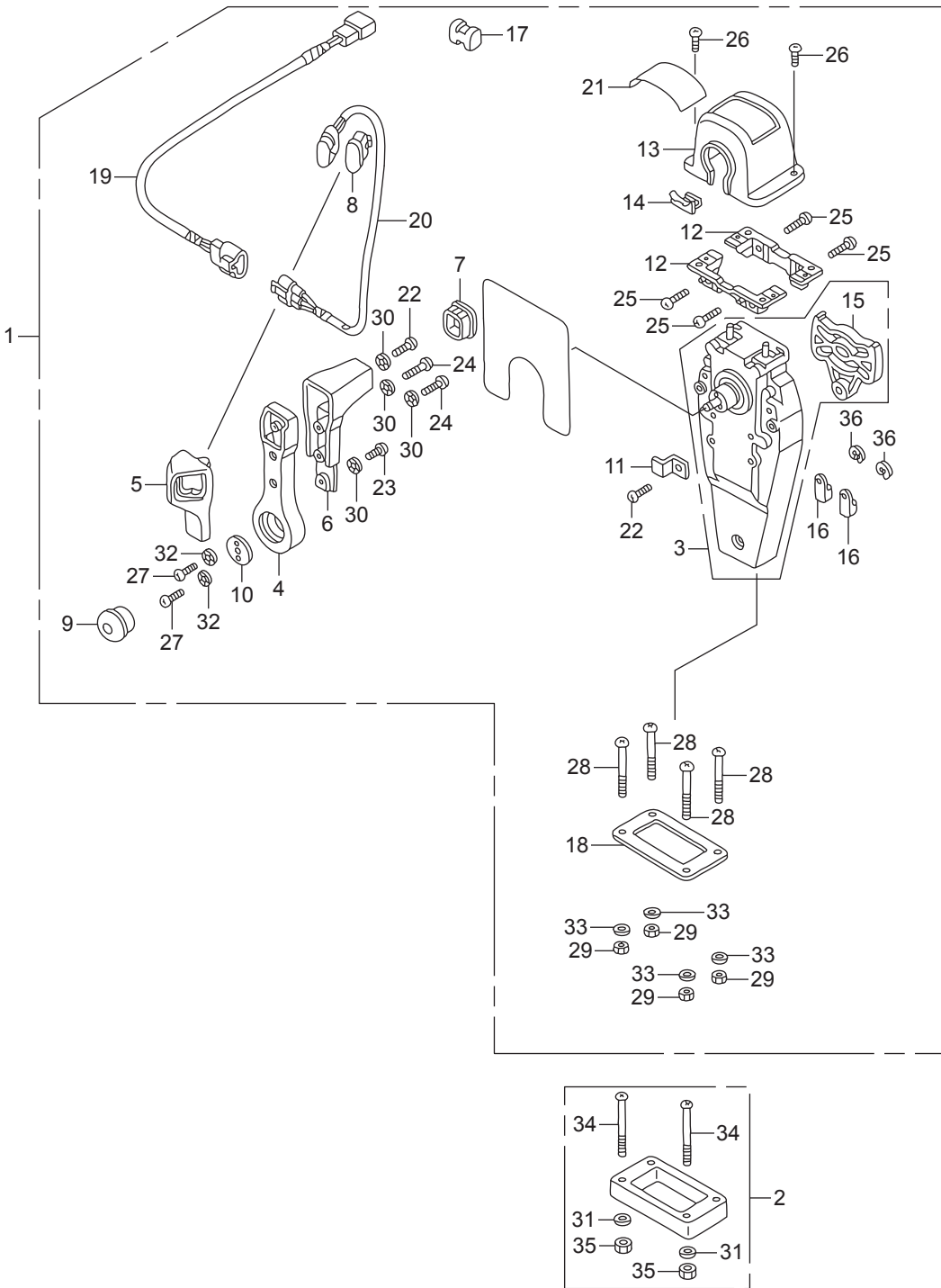




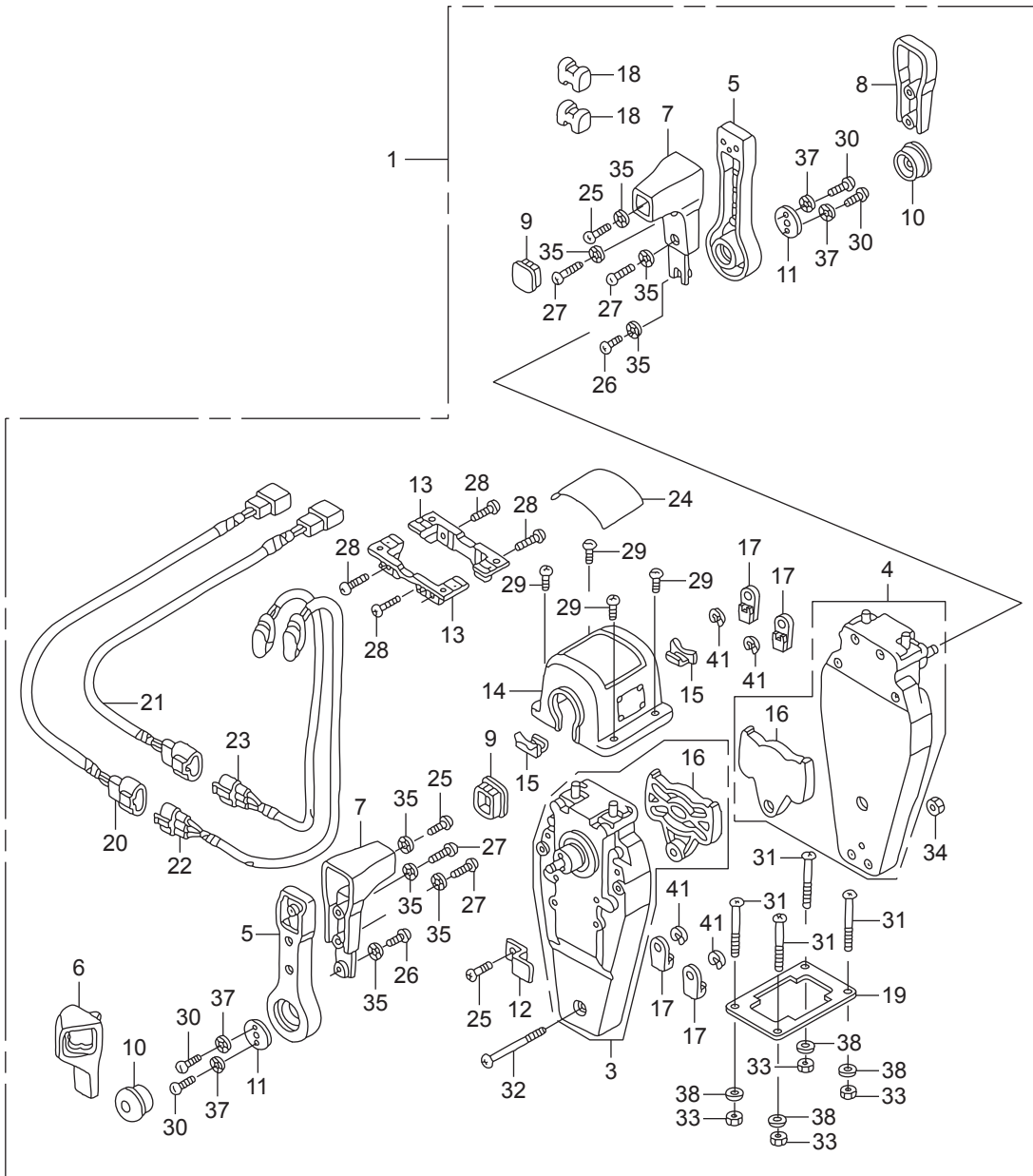




Ref.No.	Part No.	Description	Q'ty		Remarks	
			BFT60A	BFW60A		
FOP-4	1	HZZ3-06240-R30	BOX KIT, REMOTE CONTROL	1	1	(TOP MOUNT SINGLE)(R.)
FOP-4	2	HZW5-06241-U00	SPACER KIT, REMOTE CONTROL BOX	1	1	(TOP MOUNT SINGLE)
FOP-4	3	HZW5-24810-U01	HOUSING ASSY., L. INNER	1	1	(TOP MOUNT)
FOP-4	4	HZW5-24811-U01	HANDLE, REMOTE CONTROL	1	1	
FOP-4	5	HZW5-24812-U01	COVER, L. GRIP	1	1	
FOP-4	6	HZW5-24813-U01	GRIP, REMOTE CONTROL HANDLE	1	1	
FOP-4	7	HZW5-24814-U01	CAP, GRIP	1	1	
FOP-4	8	HZW5-24815-U01	CAP, SWITCH	1	1	
FOP-4	9	HZW5-24816-U01	BUTTON, THROTTLE	1	1	
FOP-4	10	HZW5-24817-U01	PLATE, HANDLE	1	1	
FOP-4	11	HZW5-24818-U01	PLATE, CABLE CLAMP	1	1	
FOP-4	12	HZW5-24819-U01	BRACKET, REMOTE CONTROL HOUSING	2	2	
FOP-4	13	HZZ3-24820-R11	HOUSING COMP., REMOTE CONTROL BOX	1	1	
FOP-4	14	HZW5-24825-U01	HOUSING, LEAD	1	1	
FOP-4	15	HZW5-24826-U01	PLATE, DWELL	1	1	
FOP-4	16	HZW5-24831-U01	TERMINAL, CABLE	2	2	
FOP-4	17	HZW5-24832-U01	SPACER, CABLE CLAMP	1	1	
FOP-4	18	HZW5-24834-U01	PACKING, SINGLE	1	1	
FOP-4	19	HZW7-32530-U00	SUB HARNESS ASSY., POWER TRIM-TILT (A)	1	1	
FOP-4	20	HZW5-35370-U02	SWITCH ASSY., POWER TRIM-TILT (A)	1	1	
FOP-4	21	HZZ3-87703-R81	MARK, REMOTE CONTROL(SINGLE)	1	1	
FOP-4	22	HZW5-90101-U00	SCREW, PAN, 5X16	2	2	
FOP-4	23	HZW5-90102-U00	SCREW, PAN, 5X10	1	1	
FOP-4	24	HZW5-90103-U01	SCREW, PAN, 5X20	2	2	
FOP-4	25	HZW5-90104-U00	SCREW, PAN, 5X18	4	4	
FOP-4	26	HZW5-90105-U01	SCREW, PAN, 4X10	2	2	
FOP-4	27	HZW5-90106-U00	SCREW, PAN, 6X18	2	2	
FOP-4	28	HZW5-90107-U00	SCREW, PAN, 5X40	4	4	
FOP-4	29	HZW5-90301-U00	NUT, HEX., 5MM	4	4	

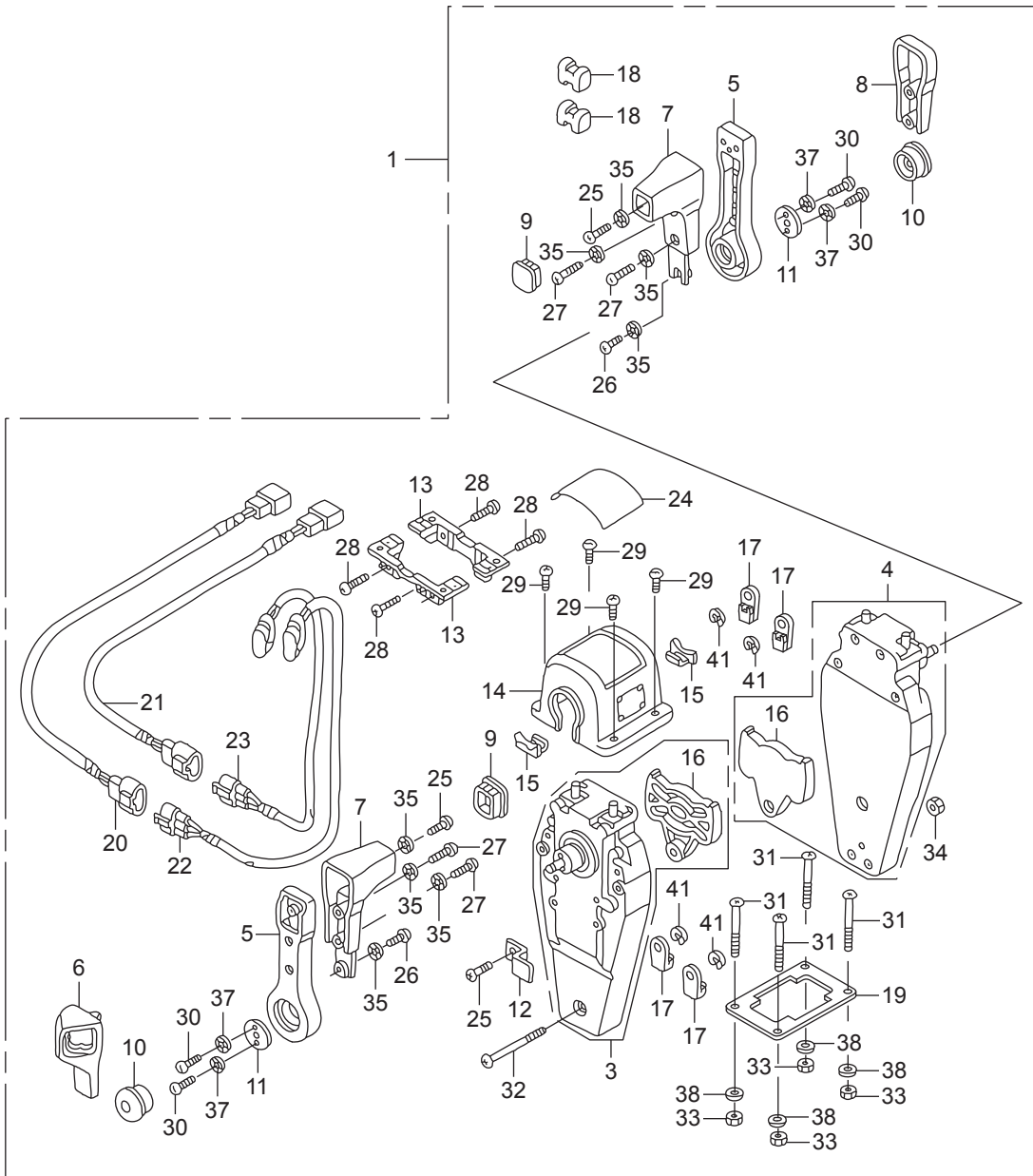


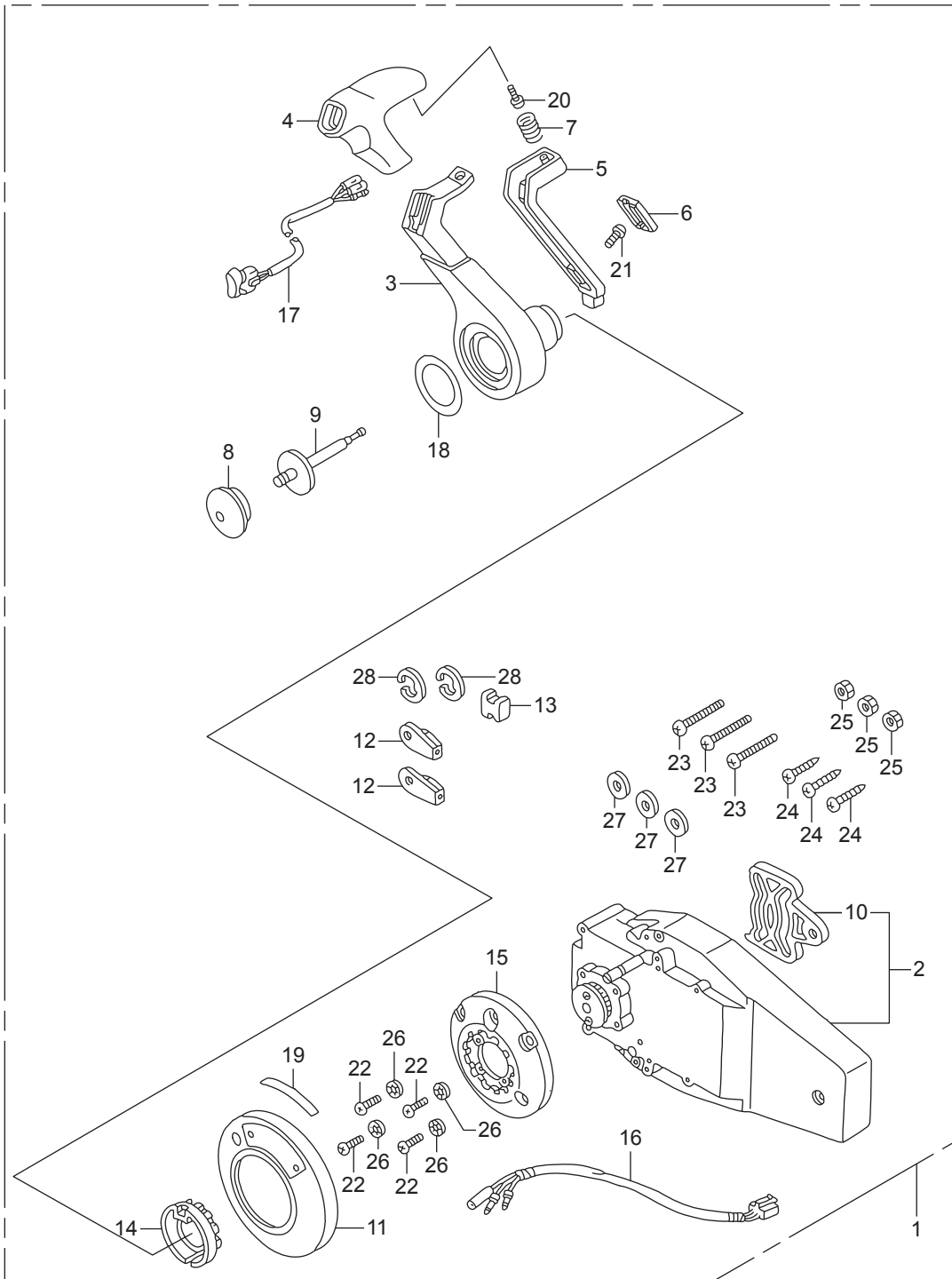
REMOTE CONTROL BOX
(TOP MOUNT DUAL TYPE) (RIGHT)



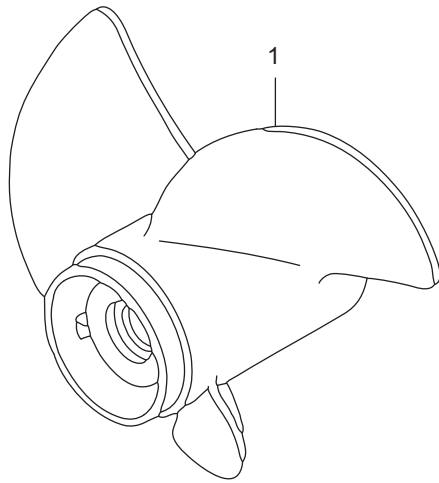
Ref.No.	Part No.	Description	Q' ty		Remarks	
			BFT60A	BFW60A		
FOP-4-2	1	HZZ3-06240-R60	BOX KIT, REMOTE CONTROL	1	1	(TOP MOUNT DUAL)(R.)
FOP-4-2	2	HZW5-06241-U10	SPACER KIT, REMOTE CONTROL BOX	1	1	(TOP MOUNT DUAL)
FOP-4-2	3	HZW5-24810-U01	HOUSING ASSY., L. INNER	1	1	(TOP MOUNT)
FOP-4-2	4	HZW5-24810-U11	HOUSING ASSY., R. INNER	1	1	(TOP MOUNT)
FOP-4-2	5	HZW5-24811-U01	HANDLE, REMOTE CONTROL	2	2	
FOP-4-2	6	HZW5-24812-U01	COVER, L. GRIP	1	1	
FOP-4-2	7	HZW5-24813-U01	GRIP, REMOTE CONTROL HANDLE	2	2	
FOP-4-2	8	HZW5-24813-U21	COVER, DUAL GRIP	1	1	
FOP-4-2	9	HZW5-24814-U01	CAP, GRIP	2	2	
FOP-4-2	10	HZW5-24816-U01	BUTTON, THROTTLE	2	2	
FOP-4-2	11	HZW5-24817-U01	PLATE, HANDLE	2	2	
FOP-4-2	12	HZW5-24818-U01	PLATE, CABLE CLAMP	1	1	
FOP-4-2	13	HZW5-24819-U01	BRACKET, REMOTE CONTROL HOUSING	2	2	
FOP-4-2	14	HZZ3-24820-R21	HOUSING COMP., REMOTE CONTROL BOX(DUAL)	1	1	
FOP-4-2	15	HZW5-24825-U01	HOUSING, LEAD	2	2	
FOP-4-2	16	HZW5-24826-U01	PLATE, DWELL	2	2	
FOP-4-2	17	HZW5-24831-U01	TERMINAL, CABLE	4	4	
FOP-4-2	18	HZW5-24832-U01	SPACER, CABLE CLAMP	2	2	
FOP-4-2	19	HZW5-24834-U21	PACKING, DUAL	1	1	
FOP-4-2	20	HZW7-32530-U00	SUB HARNESS ASSY., POWER TRIM-TILT(A)	1	1	
FOP-4-2	21	HZW7-32530-U10	SUB HARNESS ASSY., POWER TRIM-TILT(B)	1	1	
FOP-4-2	22	HZW5-35370-U02	SWITCH ASSY., POWER TRIM-TILT (A)	1	1	
FOP-4-2	23	HZW5-35370-U12	SWITCH ASSY., POWER TRIM-TILT (B)	1	1	
FOP-4-2	24	HZZ3-87703-R01	MARK, REMOTE CONTROL(DUAL)	1	1	
FOP-4-2	25	HZW5-90101-U00	SCREW, PAN, 5X16	3	3	
FOP-4-2	26	HZW5-90102-U00	SCREW, PAN, 5X10	2	2	
FOP-4-2	27	HZW5-90103-U01	SCREW, PAN, 5X20	4	4	
FOP-4-2	28	HZW5-90104-U00	SCREW, PAN, 5X18	4	4	
FOP-4-2	29	HZW5-90105-U01	SCREW, PAN, 4X10	4	4	

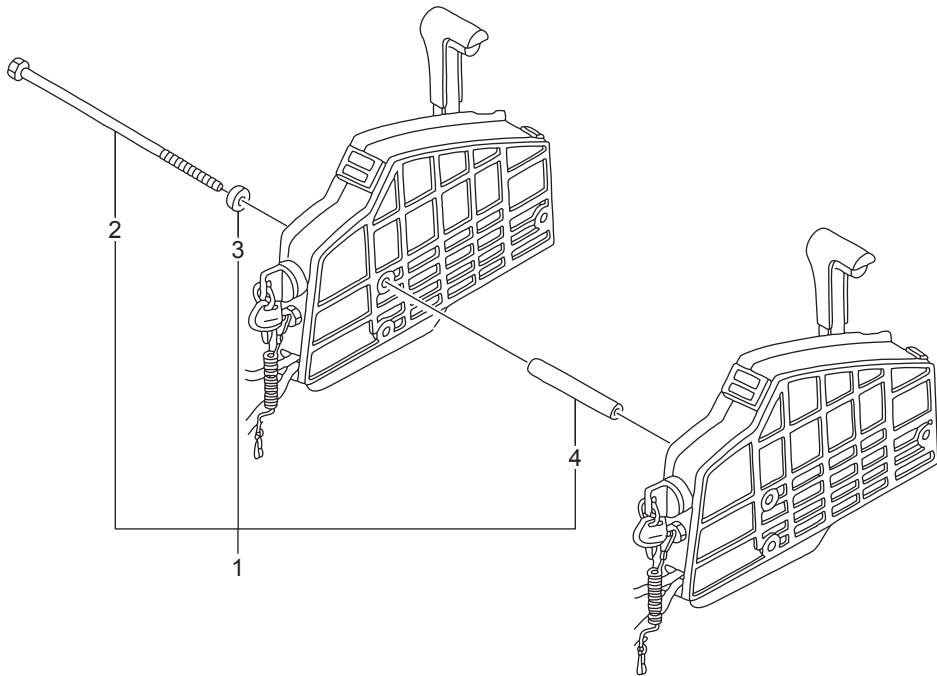
REMOTE CONTROL BOX
(TOP MOUNT DUAL TYPE) (RIGHT)



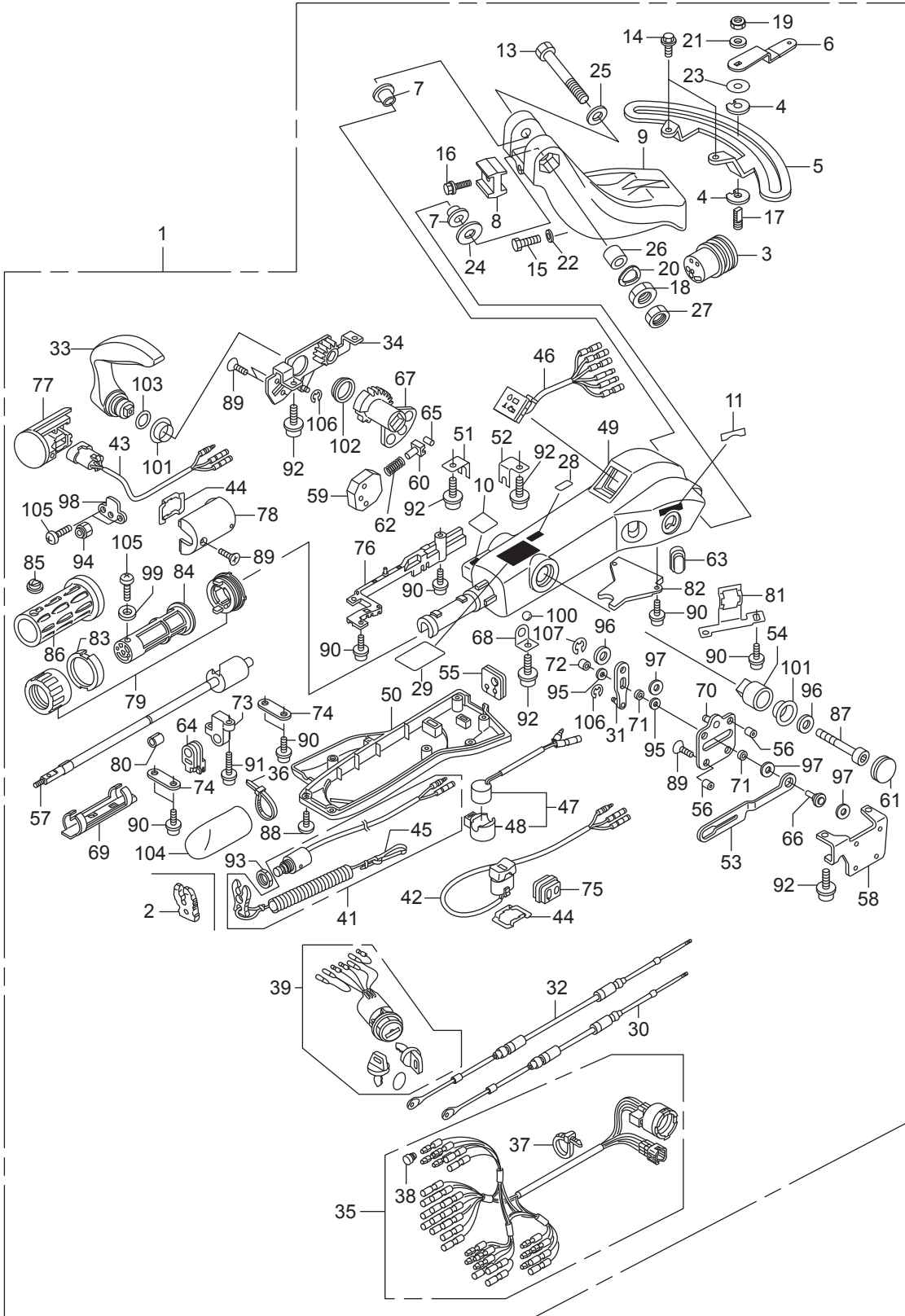


Ref.No.	Part No.	Description	Q'ty		Remarks	
			BFT60A	BFW60A		
FOP-4-4	1	HZZ3-06240-R40	BOX KIT, REMOTE CONTROL	1	1	(FLUSH MOUNT)(R.)
FOP-4-4	2	HZW7-24810-U01	HOUSING ASSY., R. INNER	1	1	(FLUSH MOUNT)
FOP-4-4	3	HZW7-24811-U01	HANDLE, REMOTE CONTROL	1	1	
FOP-4-4	4	HZW7-24812-U01	COVER, GRIP	1	1	
FOP-4-4	5	HZW7-24813-U01	ARM, NEUTRAL LOCK	1	1	
FOP-4-4	6	HZW7-24814-U01	COVER, LOCK ARM	1	1	
FOP-4-4	7	HZW7-24815-U01	SPRING, NEUTRAL LOCK ARM	1	1	
FOP-4-4	8	HZW5-24816-U01	BUTTON, THROTTLE	1	1	
FOP-4-4	9	HZW7-24817-U01	SHAFT, THROTTLE BUTTON	1	1	
FOP-4-4	10	HZW5-24826-U01	PLATE, DWELL	1	1	
FOP-4-4	11	HZZ3-24830-R41	COVER ASSY.	1	1	
FOP-4-4	12	HZW5-24831-U01	TERMINAL, CABLE	2	2	
FOP-4-4	13	HZW5-24832-U01	SPACER, CABLE CLAMP	1	1	
FOP-4-4	14	HZW7-24832-U01	HOLDER, NEUTRAL LOCK	1	1	
FOP-4-4	15	HZW7-24833-U01	BASE	1	1	
FOP-4-4	16	HZW7-32530-U20	SUB HARNESS ASSY., POWER TRIM-TILT (C)	1	1	
FOP-4-4	17	HZW7-35370-U02	SWITCH ASSY., POWER TRIM-TILT (C)	1	1	
FOP-4-4	18	HZZ3-87701-R40	MARK, HANDLE FLUSH MOUNT	1	1	
FOP-4-4	19	HZW7-87703-U00	MARK, FLUSH MOUNT	1	1	
FOP-4-4	20	HZW5-90101-U00	SCREW, PAN, 5X16	1	1	
FOP-4-4	21	HZW7-90101-U01	SCREW, TRUSS, 4X12	1	1	
FOP-4-4	22	HZW7-90102-U01	SCREW, PAN, 5X30	4	4	
FOP-4-4	23	HZW7-90103-U01	SCREW, PAN, 6X35	3	3	
FOP-4-4	24	HZW7-90104-U01	SCREW, TAPPING, 6X30	3	3	
FOP-4-4	25	HZW7-90301-U01	NUT, HEX., 6MM	3	3	
FOP-4-4	26	HZW5-90501-U00	WASHER, LOCK, 5MM	4	4	
FOP-4-4	27	HZW7-90502-U00	WASHER, PLAIN, 6MM	3	3	
FOP-4-4	28	HCO-94540-06029	E-RING, 6MM	2	2	



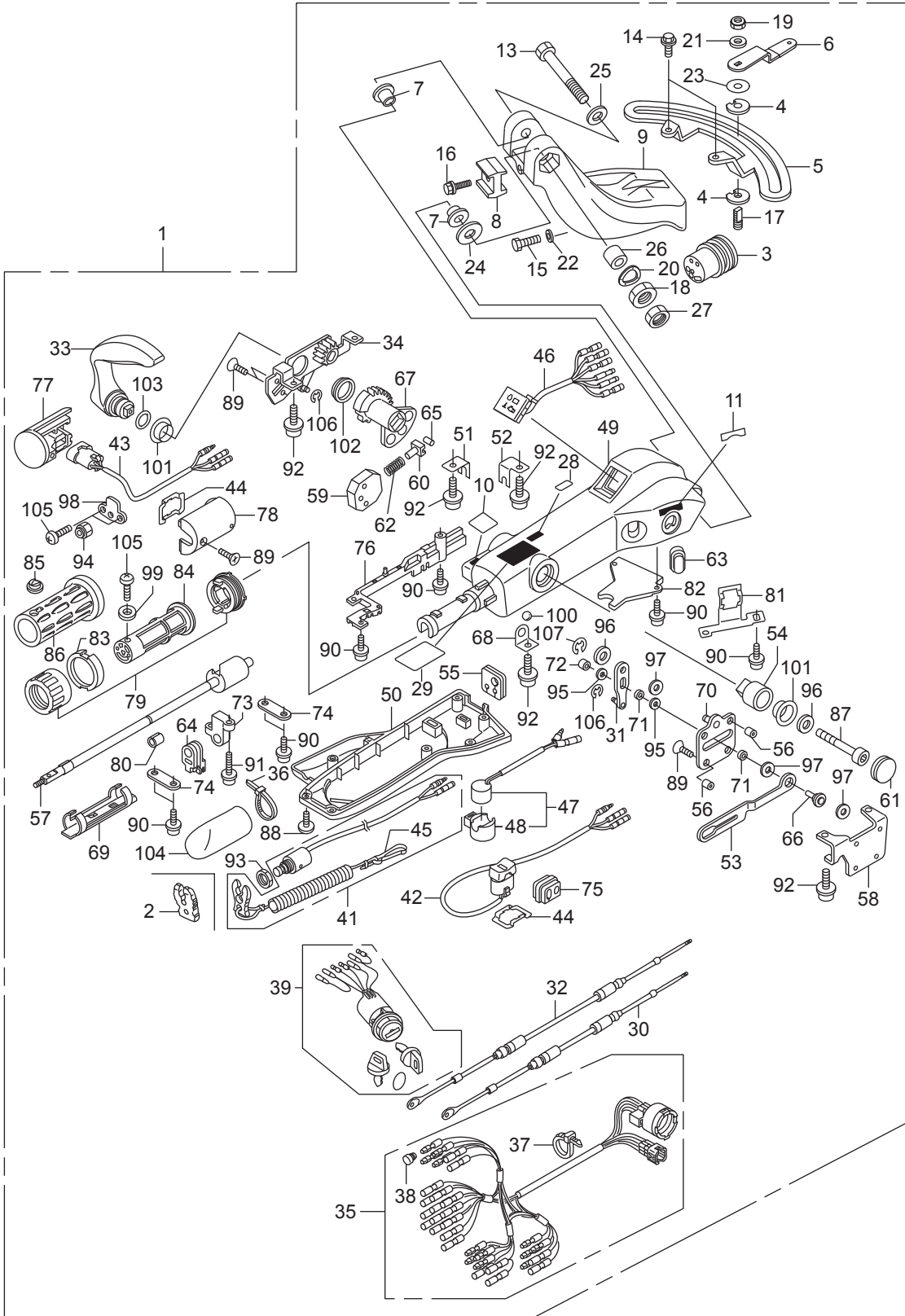


STEERING HANDLE KIT
(COMPONENT PARTS)



Ref.No.	Part No.	Description	Q'ty		Remarks	
			BFT60A	BFW60A		
FOP-8	1	HZZ3-06533-R00ZA	HANDLE KIT, STEERING (US)	1	1	*T107* BAY BLUE
FOP-8	2	HZV4-36187-652	CLIP, EMERGENCY LOCK	1	1	
FOP-8	3	HZZ3-40105-A00	GROMMET, STEERING HANDLE CABLE	1	1	
FOP-8	4	HZW9-50212-003	BLOCK COMP., FRICTION	2	2	
FOP-8	5	HZZ3-50218-000	PLATE, FRICTION	1	1	
FOP-8	6	HZW9-50219-010	LEVER, FRICTION	1	1	
FOP-8	7	HZW4-53116-H11	BUSH, STEERING HANDLE	2	2	
FOP-8	8	HZY9-53232-A00	BLOCK, HEIGHT ADJUSTER	1	1	
FOP-8	9	HZZ5-53233-000ZD	BRACKET, STEERING	1	1	*T107* BAY BLUE
FOP-8	10	HZW6-87124-U80	MARK, EMERGENCY SWITCH INDICATION(EU)	1	1	
FOP-8	11	HZZ3-87125-R00	MARK, STARTER(ENGLISH)	1	1	
FOP-8	13	HZW4-90101-H00	BOLT, HEX., 12X80	1	1	
FOP-8	14	HZW9-90102-000	BOLT, FLANGE, 6X12	2	2	
FOP-8	15	HZY3-90103-000	BOLT, HEX., 10X32	2	2	
FOP-8	16	HHW1-90118-671	BOLT, FLANGE, 8X28	1	1	
FOP-8	17	HZW9-90162-000	BOLT, STUD, 8X26	1	1	
FOP-8	18	HZW4-90303-H00	NUT, HEX., 12MM	1	1	
FOP-8	19	HZW9-90305-000	NUT, SELF-LOCK, 8MM	1	1	
FOP-8	20	HZV1-90506-000	WASHER, WAVE, 14MM	1	1	
FOP-8	21	H921-90514-000	WASHER, 8MM	1	1	
FOP-8	22	HZV4-90514-000	WASHER, 10MM	2	2	
FOP-8	23	HZW9-90517-000	WASHER, NYLON, 8MM	1	1	
FOP-8	24	HZV5-90552-000	WASHER, PLAIN, 12MM	1	1	
FOP-8	25	HZV5-90559-000	WASHER, PLAIN, 12MM	1	1	
FOP-8	26	HZW4-91552-H00	COLLAR, DISTANCE, 12.2X23X16	1	1	
FOP-8	27	HCO-94002-12490-0S	NUT, HEX., 12MM	1	1	
FOP-8	28	HZW9-87511-000	MARK, CHANGE	1	1	
FOP-8	29	HZW9-87532-640	MARK, THROTTLE(ENGLISH)	1	1	
FOP-8	30	HZZ3-17910-A41	CABLE, THROTTLE	1	1	

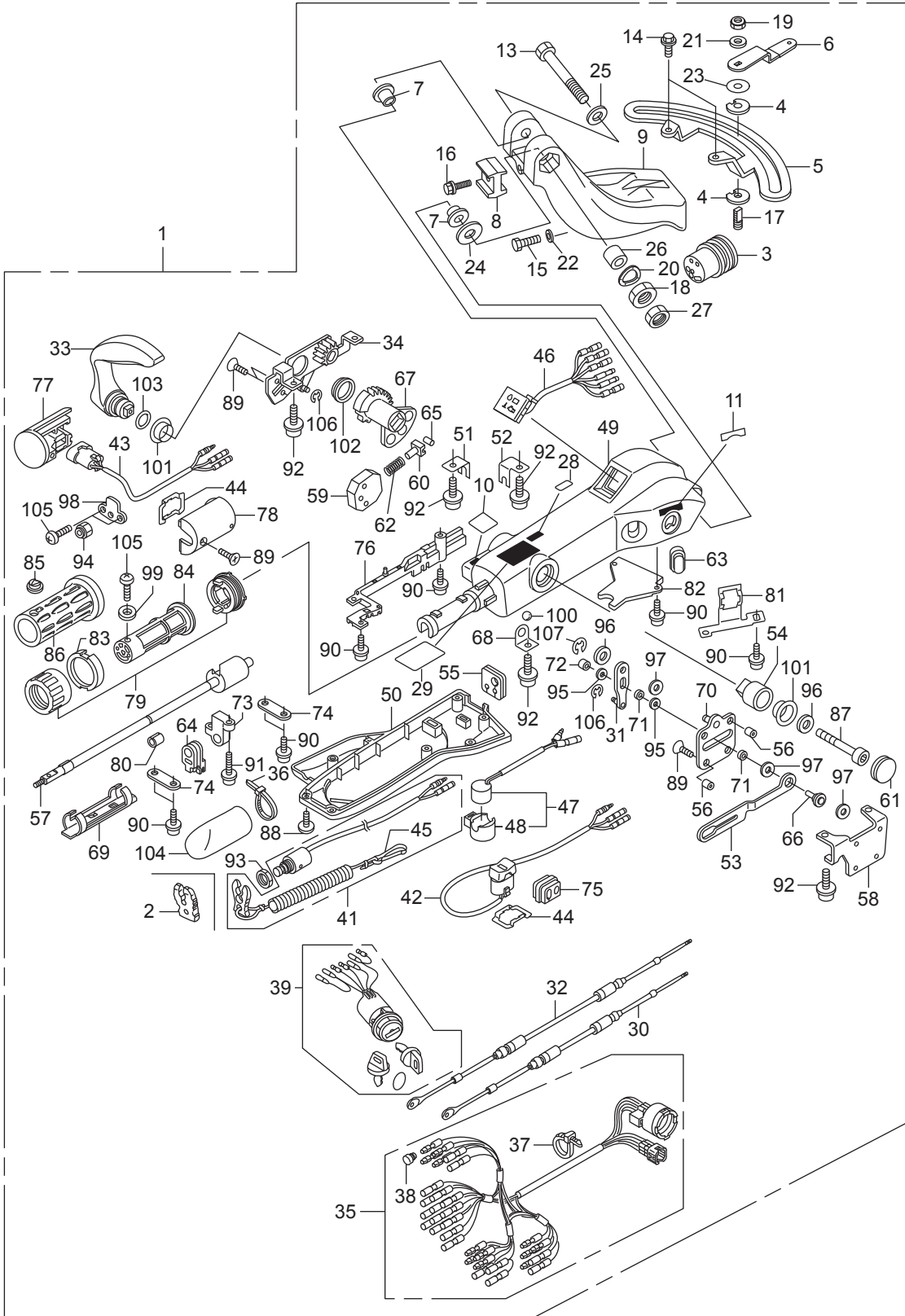
STEERING HANDLE KIT
(COMPONENT PARTS)

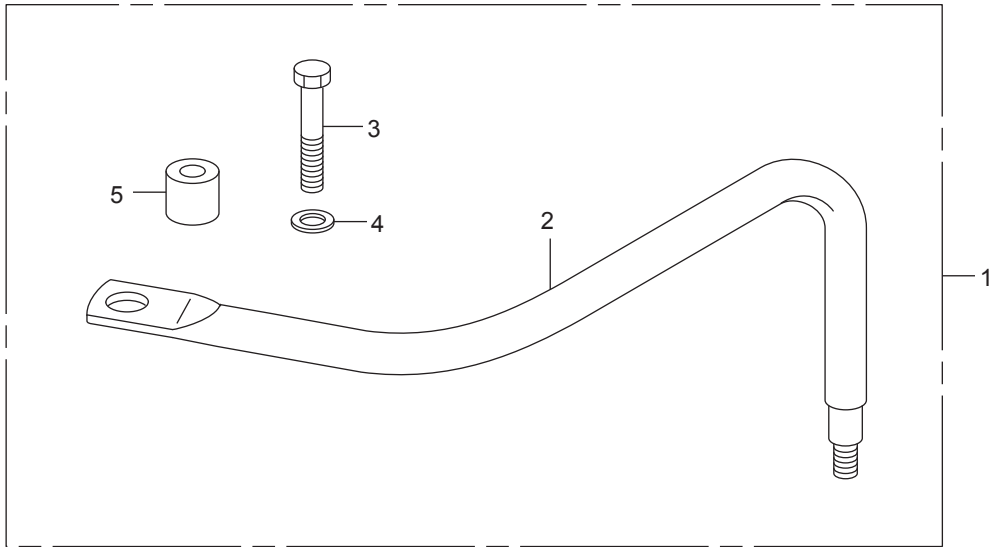


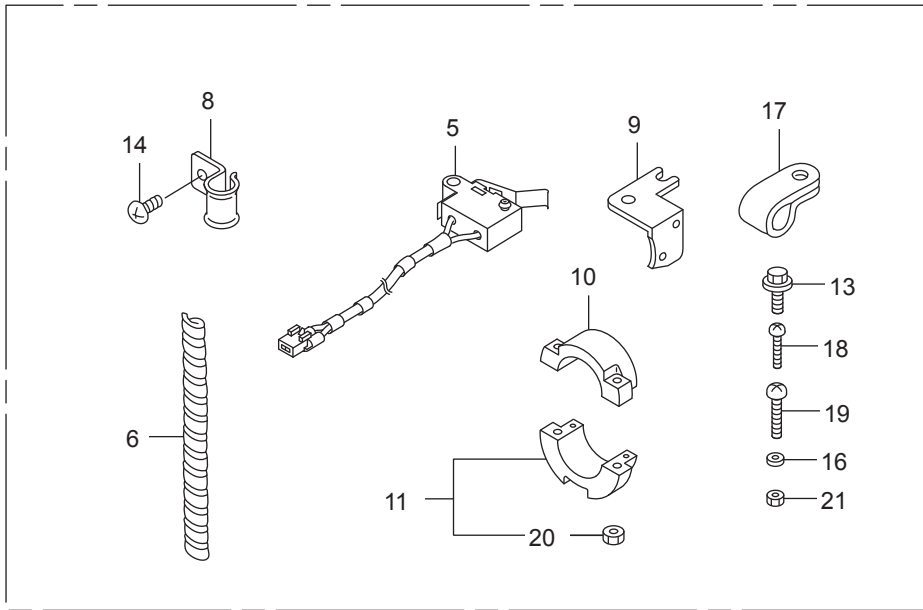
Ref.No.	Part No.	Description	Q'ty		Remarks	
			BFT60A	BFW60A		
FOP-8	31	HZZ3-17931-A41	ARM ASSY., THROTTLE	1	1	
FOP-8	32	HZZ3-24590-A41	CABLE, SHIFT	1	1	
FOP-8	33	HZZ3-24614-A41	LEVER, SHIFT	1	1	
FOP-8	34	HZZ3-24615-A41	FRAME ASSY., SHIFT	1	1	
FOP-8	35	HZZ3-32538-A41	CABLE ASSY. A, LONG HANDLE	1	1	
FOP-8	36	HZW4-32543-H01	BAND(CONVEX CV-150)	1	1	
FOP-8	37	HZW4-32544-H01	BAND(CONVEX CV-200)	2	2	
FOP-8	38	HZV5-32823-003	PLUG, INNER CONNECTOR	13	13	
FOP-8	39	HZZ3-35100-R01	SWITCH ASSY., COMBINATION	1	1	
FOP-8	41	HZZ3-35180-A42	SWITCH ASSY., EMERGENCY STOP	1	1	
FOP-8	42	HZZ3-35340-A42	SWITCH ASSY., TROLLING CONTROL	1	1	
FOP-8	43	HZZ3-35640-A41	SWITCH ASSY., POWER TILT	1	1	
FOP-8	44	HZZ3-35645-A41	PLATE, SWITCH	2	2	
FOP-8	45	HZV4-36182-651	CORD COMP., EMERGENCY	1	1	
FOP-8	46	HZY9-37210-A02	LAMP ASSY., INDICATOR	1	1	
FOP-8	47	HZY9-38400-A00	BUZZER ASSY., WARNING	1	1	
FOP-8	48	HZY9-38402-A00	SUSPENSION, WARNING BUZZER	1	1	
FOP-8	49	HZZ3-53101-A41ZD	HOUSING	1	1	*T107* BAY BLUE
FOP-8	50	HZZ3-53102-A41	COVER, UNDER	1	1	
FOP-8	51	HZZ3-53103-A41	CLAMP, SHIFT CABLE	1	1	
FOP-8	52	HZZ3-53104-A41	CLAMP, THROTTLE CABLE	1	1	
FOP-8	53	HZZ3-53105-A41	PLATE, LOCK	1	1	
FOP-8	54	HZZ3-53106-A41	STOPPER, SHIFT	1	1	
FOP-8	55	HZZ3-53108-A41	GROMMET	1	1	
FOP-8	56	HZZ3-53109-A41	SPACER	4	4	
FOP-8	57	HZZ3-53110-A41	SHAFT ASSY., THROTTLE	1	1	
FOP-8	58	HZZ3-53111-A41	FRAME, THROTTLE	1	1	
FOP-8	59	HZZ3-53112-A41	GUIDE, SPRING	1	1	
FOP-8	60	HZW4-53113-H01	ACTUATOR	1	1	

Ref.No.	Part No.	Description	Q'ty		Remarks	
			BFT60A	BFW60A		
FOP-8	61	HZZ3-53113-A41	CAP	1	1	
FOP-8	62	HZZ3-53114-A41	SPRING	1	1	
FOP-8	63	HZW4-53115-H02	GROMMET, POWER TILT SWITCH	1	1	
FOP-8	64	HZZ3-53115-A41	GROMMET, POWER TILT SWITCH	1	1	
FOP-8	65	HZW4-53116-H01	ROLLER	1	1	
FOP-8	66	HZZ3-53117-A41	PIN, SLIDE	1	1	
FOP-8	67	HZZ3-53118-A41	GEAR, SHIFT	1	1	
FOP-8	68	HZZ3-53119-A41	PLATE, BALL GUIDE	1	1	
FOP-8	69	HZZ3-53120-A41	GUIDE, THROTTLE HARNESS	1	1	
FOP-8	70	HZZ3-53121-A41	FRAME ASSY., THROTTLE SUB	1	1	
FOP-8	71	HZZ3-53122-A41	ROLLER, PLATE	2	2	
FOP-8	72	HZZ3-53123-A41	ROLLER, CAM	1	1	
FOP-8	73	HZZ3-53124-A41	STAY	1	1	
FOP-8	74	HZZ3-53125-A41	PLATE, SHIFT CLAMP	2	2	
FOP-8	75	HZZ3-53126-A41	GROMMET, SIDE	1	1	
FOP-8	76	HZZ3-53127-A41	GUIDE, HARNESS	1	1	
FOP-8	77	HZZ3-53128-A41	BOX ASSY., POWER TILT SWITCH 1	1	1	
FOP-8	78	HZZ3-53129-A41	BOX ASSY., POWER TILT SWITCH 2	1	1	
FOP-8	79	HZW9-53130-000	GRIP ASSY., THROTTLE FRICTION	1	1	
FOP-8	80	HZZ3-53130-A41	BUSH, THROTTLE SHAFT	1	1	
FOP-8	81	HZZ3-53131-A41	HOLDER, SWITCH	1	1	
FOP-8	82	HZZ3-53132-A41	PLATE, HARNESS	1	1	
FOP-8	83	HZW9-53133-000	PAD, THROTTLE FRICTION	1	1	
FOP-8	84	HZZ3-53141-A41	PIPE, THROTTLE GRIP	1	1	
FOP-8	85	HZZ3-53142-A41	CAP, GRIP	1	1	
FOP-8	86	HZZ3-53165-000	RUBBER, GRIP	1	1	
FOP-8	87	HZZ3-90103-A41	BOLT, SOCKET, 8X70	1	1	
FOP-8	88	HZW4-90104-H01	BOLT(M5X12)	8	8	
FOP-8	89	HZZ3-90111-A41	SCREW, FLAT, 5X14	7	7	

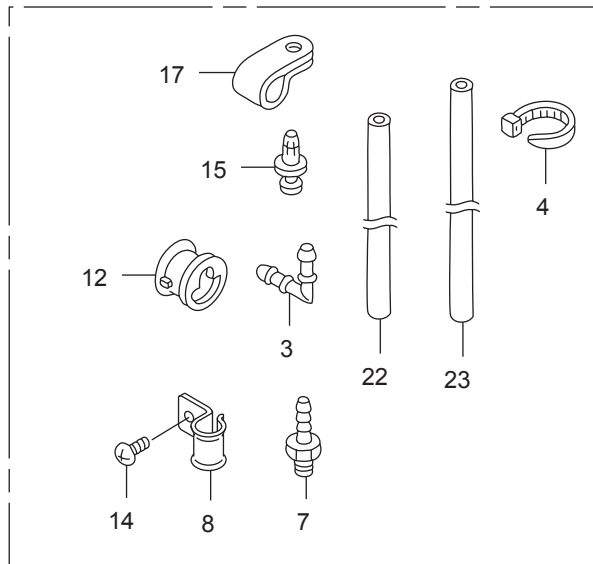
STEERING HANDLE KIT
(COMPONENT PARTS)







1



2

Ref.No.	Part No.	Description	Q' ty		Remarks	
			BFT60A	BFW60A		
FOP-9	1	HZZ3-06357-000	LIMIT KIT, TILT	1	1	
FOP-9	2	HZZ3-06411-000	TUBE KIT, SPEED SENSOR	1	1	
FOP-9	3	HGE1-17357-670	JOINT A, BREATHER	1	1	
FOP-9	4	HKM3-32161-003	BAND, WIRE	4	4	
FOP-9	5	HZZ3-35745-742	SWITCH ASSY., TILT LIMIT	1	1	
FOP-9	6	HZV5-36104-821	TUBE, SPIRAL	1	1	
FOP-9	7	HZV5-41172-000	NIPPLE, SENSOR	1	1	
FOP-9	8	HZY3-50209-A00	CLAMP, TUBE	4	4	
FOP-9	9	HZZ3-50222-000	BRACKET, TILT LIMIT SENSOR	1	1	
FOP-9	10	HZZ3-50223-000	CAM A, TILT LIMIT ANGLE	1	1	
FOP-9	11	HZZ3-50224-000	CAM B, TILT LIMIT ANGLE	1	1	
FOP-9	12	HZY6-56118-000	BUSH, MOTOR CODE	1	1	
FOP-9	13	HZW9-90102-000	BOLT, FLANGE, 6X12	1	1	
FOP-9	14	HZV5-90119-000	SCREW, PAN, 6X8	4	4	
FOP-9	15	HZV5-90127-003	SCREW, RIVET, 5X10	1	1	
FOP-9	16	HZW4-90401-000	WASHER, PLAIN, 4MM	1	1	
FOP-9	17	H750-90628-000	CLIP(14MM)	2	2	
FOP-9	18	HCO-93500-04014-4J	SCREW, PAN, 4X14	1	1	
FOP-9	19	HCO-93500-05020-4J	SCREW, PAN, 5X20	2	2	
FOP-9	20	HCO-94001-05490-0S	NUT, HEX., 5MM	2	2	
FOP-9	21	HCO-94002-04490-0S	NUT, HEX., 4MM	1	1	
FOP-9	22	HCO-95005-50530-30	TUBE, 5X530	1	1	(HC-95005-50001-30M)
FOP-9	23	HCO-95005-50950-30	TUBE, 5X950	1	1	(HC-95005-50001-30M)

INDEX

<A>			
ACTUATOR	FOP-8-60	BLOCK, HEIGHT ADJUSTER	FOP-8-8
ADJUSTER	F-15-2-17	BLOCK, NEUTRAL LOCK	F-15-7
ARM ASSY, BRAKE	F-15-2-7	BLOCK, THROTTLE FRICTION	F-15-29
ARM ASSY, SHIFT LINK	F-15-1-18	BODY	E-18-10-3
ARM ASSY, THROTTLE	FOP-8-31	BODY ASSY, THROTTLE	E-15-2
ARM ASSY, THROTTLE LINK	F-15-1-21	BODY, TROLLING CONTROL SWITCH PANEL	F-7-40-3
ARM COMP., EX. ROCKER(A)	E-9-7	BOLT	F-15-1-37
ARM COMP., EX. ROCKER(B)	E-9-8	BOLT KIT, SIDE REMOTE CONTROL	FOP-7-1
ARM COMP., IN. VALVE ROCKER	E-9-6	BOLT(M5X12)	FOP-8-88
ARM COMP., LINK JOINT	F-15-19	BOLT(M6X37)	E-21-10
ARM COMP., SHIFT LINK	F-15-15	BOLT, 3/8-24UNF	F-11-19
ARM, NEUTRAL LOCK	F-15-2-4	BOLT, 5X12	FOP-8-90
ARM, NEUTRAL LOCK	FOP-4-4-5	BOLT, 5X20	FOP-8-91
ARM, SHIFT	F-2-11	BOLT, 5X25	F-15-2-56
ARM, THROTTLE	F-2-7	BOLT, 6X15	FOP-8-92
ARMATURE ASSY.	E-21-7	BOLT, 8X50	F-15-2-55
ARMATURE COMP.	F-11-20-7	BOLT, BLOCK OIL DRAIN	E-3-5
		BOLT, CLAMP, 4X35	E-15-10-10
BAG, TOOL, 160MM	F-13-17	BOLT, CONNECTING ROD	E-7-4
BALL, STEEL	F-11-20-44	BOLT, DRAIN PLUG	E-6-15
BALL, STEEL	F-15-1-46	BOLT, DRAIN PLUG	F-3-10-13
BALL, STEEL	FOP-8-100	BOLT, DRAIN PLUG	F-3-11-15
BALL, STEEL, #11(11/32)	F-5-1-28	BOLT, FLANGE, 10X25	F-11-20
BALL, STEEL, #6(3/16)	F-5-28	BOLT, FLANGE, 10X40	E-13-15
BALL, STEEL, #7(7/32)	F-5-29	BOLT, FLANGE, 12X38	E-13-11
BALL, STEEL, #7(7/32)	F-5-1-27	BOLT, FLANGE, 6X10	F-7-20-21
BAND	E-18-10-26	BOLT, FLANGE, 6X10	F-8-10-15
BAND(BLACK 3.5X140)	F-8-10-2	BOLT, FLANGE, 6X11	F-2-22
BAND(BLACK 3.5X140)	F-11-20-3	BOLT, FLANGE, 6X12	E-3-17
BAND(BLACK 3.5X140)	F-15-41	BOLT, FLANGE, 6X12	E-14-19
BAND(CONVEX CV-150)	FOP-8-36	BOLT, FLANGE, 6X12	F-2-23
BAND(CONVEX CV-200)	FOP-8-37	BOLT, FLANGE, 6X12	F-3-13
BAND, AIR FLOW	E-15-10-6	BOLT, FLANGE, 6X12	F-4-1-20
BAND, CABLE(B)	F-15-1-11	BOLT, FLANGE, 6X12	F-7-7
BAND, CORD	F-7-10-1	BOLT, FLANGE, 6X12	F-7-20-20
BAND, SELF LOCK	F-15-66	BOLT, FLANGE, 6X12	FOP-8-14
BAND, SELF LOCK	F-15-2-77	BOLT, FLANGE, 6X12	FOP-9-13
BAND, UNDER CASE GROMMET	F-8-10-6	BOLT, FLANGE, 6X14	E-3-21
BAND, WIRE	F-15-2-37	BOLT, FLANGE, 6X14	E-5-10
BAND, WIRE	FOP-9-4	BOLT, FLANGE, 6X14	E-18-10-44
BAND, WIRE HARNESS(NATURAL)	FOP-3-24	BOLT, FLANGE, 6X14	F-7-20-22
BAND, WIRE HARNESS(NATURAL)	FOP-3-1-17	BOLT, FLANGE, 6X14(CT200)	E-3-15
BASE	FOP-4-4-15	BOLT, FLANGE, 6X14(CT200)	E-18-22
BEARING	FOP-8-101	BOLT, FLANGE, 6X14(CT200)	F-7-20-19
BEARING	FOP-8-102	BOLT, FLANGE, 6X16	E-2-33
BEARING A, CONNECTING ROD (BLUE)	E-7-6	BOLT, FLANGE, 6X16	E-3-20
BEARING B, CONNECTING ROD (BLACK)	E-7-6	BOLT, FLANGE, 6X16	E-19-9
BEARING B, MAIN LOWER(BLACK)	E-7-11	BOLT, FLANGE, 6X16	F-2-21
BEARING B, MAIN UPPER(BLACK)	E-7-8	BOLT, FLANGE, 6X16	F-10-16
BEARING C, CONNECTING ROD (BROWN)	E-7-6	BOLT, FLANGE, 6X18(CT200)	F-2-20
BEARING C, MAIN LOWER(BROWN)	E-7-11	BOLT, FLANGE, 6X20	E-2-34
BEARING C, MAIN UPPER(BROWN)	E-7-8	BOLT, FLANGE, 6X20	E-20-2
BEARING D, CONNECTING ROD (GREEN)	E-7-6	BOLT, FLANGE, 6X20	F-3-14
BEARING D, MAIN LOWER(GREEN)	E-7-11	BOLT, FLANGE, 6X20	F-3-30-21
BEARING D, MAIN UPPER(GREEN)	E-7-8	BOLT, FLANGE, 6X20	F-4-18
BEARING E, CONNECTING ROD (YELLOW)	E-7-6	BOLT, FLANGE, 6X22	E-2-28
BEARING E, MAIN LOWER(YELLOW)	E-7-11	BOLT, FLANGE, 6X22	E-2-35
BEARING E, MAIN UPPER(YELLOW)	E-7-8	BOLT, FLANGE, 6X22	E-3-22
BEARING F, CONNECTING ROD (PINK)	E-7-6	BOLT, FLANGE, 6X22	E-6-12
BEARING F, MAIN LOWER(PINK)	E-7-11	BOLT, FLANGE, 6X23	F-10-13
BEARING F, MAIN UPPER(PINK)	E-7-8	BOLT, FLANGE, 6X25	E-5-11
BEARING G, CONNECTING ROD (RED)	E-7-6	BOLT, FLANGE, 6X25	E-18-23
BEARING G, MAIN LOWER(RED)	E-7-11	BOLT, FLANGE, 6X25	E-19-6
BEARING G, MAIN UPPER(RED)	E-7-8	BOLT, FLANGE, 6X28	E-3-19
BEARING H, MAIN LOWER(WHITE)	E-7-11	BOLT, FLANGE, 6X28	E-19-7
BEARING H, MAIN UPPER(WHITE)	E-7-8	BOLT, FLANGE, 6X30	F-3-10-16
BEARING(I)	F-15-2-60	BOLT, FLANGE, 6X32	E-14-17
BEARING(2)	F-15-2-71	BOLT, FLANGE, 6X35	F-3-11-19
BEARING(3)	F-15-2-72	BOLT, FLANGE, 6X37	E-2-36
BEARING, 25X47X15	F-4-27	BOLT, FLANGE, 6X50	E-15-3
BEARING, 32X58X17	F-5-21	BOLT, FLANGE, 8X18	F-7-10-14
BEARING, BALL(28X38X3)	F-5-1-21	BOLT, FLANGE, 8X25	F-3-11
BEARING, NEEDLE(1-1/8X1-1/2X1-1/4)	F-4-1-29	BOLT, FLANGE, 8X26(SUS)	E-6-14
BEARING, NEEDLE, 22X28X20	F-5-22	BOLT, FLANGE, 8X28	E-3-23
BEARING, NEEDLE, 30X37X26	F-5-1-19	BOLT, FLANGE, 8X28	FOP-8-16
BEARING, NEEDLE, 7/8X11/8X1	F-4-26	BOLT, FLANGE, 8X32	E-14-18
BEARING, RADIAL BALL, 6007	F-5-27	BOLT, FLANGE, 8X35	F-3-16
BEARING, RADIAL BALL, 6208	F-5-1-26	BOLT, FLANGE, 8X35	F-15-51
BEARING, TAPER ROLLER, 30X62X40	F-4-1-30	BOLT, FLANGE, 8X35(SUS)	E-6-13
BEARING, TAPERED ROLLER(50X82X21.5)	F-5-1-20	BOLT, FLANGE, 8X45	E-14-20
BELT, TIMING(88RU22.5 E-660)	E-13-5	BOLT, FLANGE, 8X45	E-21-21
BLOCK ASSY., CYLINDER	E-3-4	BOLT, FLANGE, 8X60	E-6-21
BLOCK COMP., FRICTION	FOP-8-4	BOLT, FLANGE, 8X60(SUS)	E-6-11
		BOLT, FLANGE, 8X70	E-2-38
		BOLT, FLANGE, 8X90	E-2-29
		BOLT, FLANGE, (SH)6X20	F-8-10-20
		BOLT, FRICTION	F-15-30
		BOLT, HEAD COVER	E-2-32
		BOLT, HEX., 10X158	F-10-14
		BOLT, HEX., 10X32	F-3-10-11
		BOLT, HEX., 10X32	FOP-8-15
		BOLT, HEX., 10X60	F-3-10-9
		BOLT, HEX., 10X80	F-3-11-13
		BOLT, HEX., 12X119	F-10-15
		BOLT, HEX., 12X186	F-3-12
		BOLT, HEX., 12X80	FOP-8-13
		BOLT, HEX., 4X20	F-7-40-7
		BOLT, HEX., 5X16	F-15-71
		BOLT, HEX., 6X35	F-11-18
		BOLT, HEX., 6X35	FOP-8-10-3
		BOLT, HEX., 8X20	F-3-10-14
		BOLT, HEX., 8X25	F-3-11-14
		BOLT, HEX., 8X40	F-4-19
		BOLT, HEX., 8X40	FOP-1-11
		BOLT, HEX., 8X55	F-4-1-19
		BOLT, HEX., 8X55	FOP-1-11
		BOLT, OIL CHECK	F-3-10-10
		BOLT, OIL CHECK	F-3-11-11
		BOLT, ROCKER ARM SHAFT	E-9-20
		BOLT, RR. BRACKET	F-8-21
		BOLT, SEALING, 14MM	E-5-5
		BOLT, SEALING, 14MM	E-5-6
		BOLT, SEALING, 20MM	E-2-3
		BOLT, SEALING, 24MM	E-3-1
		BOLT, SEALING, 6MM	E-18-10-42
		BOLT, SOCKET(B)	F-11-20-40
		BOLT, SOCKET, 5X0.8	F-11-20-39
		BOLT, SOCKET, 6X16	F-3-11-17
		BOLT, SOCKET, 8X70	FOP-8-87
		BOLT, SPECIAL, 6X17	F-8-20
		BOLT, SPECIAL, 6X17	F-8-10-18
		BOLT, SPECIAL, 6X220	FOP-7-2
		BOLT, SPECIAL, 6X31	E-19-10
		BOLT, SPECIAL, 6X37	F-8-10-19
		BOLT, STUD 2, 8X25	F-3-30-19
		BOLT, STUD, 10X125	F-3-30-20
		BOLT, STUD, 8X26	FOP-8-17
		BOLT, STUD, 8X32	E-2-30
		BOLT, TDC PULSER PLATE	E-9-5
		BOLT, THROUGH	E-21-20
		BOLT, TIMING BELT ADJUSTING SPRING E-3-16	E-3-16
		BOLT-WASHER, 10X40	F-3-11-16
		BOLT-WASHER, 10X40	F-5-1-13
		BOLT-WASHER, 16X49	E-19-8
		BOLT-WASHER, 5X18	E-14-16
		BOLT-WASHER, 6X20	F-3-30-31
		BOLT-WASHER, 6X22	F-8-18
		BOLT-WASHER, 6X25	E-13-10
		BOLT-WASHER, 6X25	E-18-10-43
		BOLT-WASHER, 6X25	F-8-17
		BOLT-WASHER, 6X27	F-8-19
		BOLT-WASHER, 6X27	F-8-10-17
		BOLT-WASHER, 6X27(CT200)	E-20-10-9
		BOLT-WASHER, 6X27(CT200)	F-7-20-18
		BOLT-WASHER, 6X95	F-8-10-16
		BOLT-WASHER, 8X30	F-5-14
		BOLT-WASHER, 8X35	E-14-15
		BOLT-WASHER, 8X40	F-4-20
		BOLT-WASHER, 8X40	FOP-1-12
		BOLT-WASHER, 9X100	E-3-14
		BOLT-WASHER, 9X105	E-2-31
		BOOT, SPRING	E-13-9
		BOTTOM, TILT CYLINDER	F-11-20-21
		BOX ASSY., POWER TILT SWITCH 1	FOP-8-77
		BOX ASSY., POWER TILT SWITCH 2	FOP-8-78
		BOX ASSY., REMOTE CONTROL	F-15-1-1
		BOX ASSY., REMOTE CONTROL(EU) (HI-LEX)	F-15-2
		BOX ASSY., REMOTE CONTROL(NHK MEC)	F-15-2-1
		BOX KIT, REMOTE CONTROL	FOP-4-1
		BOX KIT, REMOTE CONTROL	FOP-4-2-1
		BOX KIT, REMOTE CONTROL	FOP-4-4-1
		BRACKET	F-15-2-11
		BRACKET	FOP-3-2-13
		BRACKET	FOP-3-3-13
		BRACKET	FOP-3-4-13
		BRACKET A, POWER TILT COUPLER	F-7-20-14
		BRACKET A, REGULATOR COUPLER	E-3-9
		BRACKET ASSY.	F-11-20-6
		BRACKET ASSY., CENTER	E-21-2
		BRACKET B, REGULATOR COUPLER	E-3-11
		BRACKET COMP., NEUTRAL SWITCH	F-7-20-10
		BRACKET, A.C. GENERATOR	E-19-4
		BRACKET, A.C. GENERATOR FUSE	F-7-20-6

BRACKET, BUZZER	FOP-3-21	CASE KIT, GEAR(P/T)	F-3-11-1	COLLAR, DISTANCE, 6.5X9X5	F-8-29
BRACKET, BUZZER	FOP-3-1-14	CASE, ELECTRONIC PARTS	F-7-20-3	COLLAR, DISTANCE, 6.5X9X5	F-8-10-22
BRACKET, CENTER	E-21-8	CASE, EXTENSION	F-3-3	COLLAR, DISTANCE, 6X10X43.5	F-15-70
BRACKET, FR. UNDER COVER	F-8-10-8	CASE, GEAR	F-3-10-3	COLLAR, FR. BRACKET	F-8-10-23
BRACKET, FUSE	F-7-20-7	CASE, GEAR	F-3-11-3	COLLAR, LINK JOINT	F-15-69
BRACKET, L. STERN	F-10-4	CASE, GEAR	F-3-11-3	COLLAR, SLIDING PLATE	F-15-17
BRACKET, LINK JOINT	F-15-20	CASE, IGNITION COIL	E-20-10-5	COLLAR, STEERING ROD	F-11-36
BRACKET, MAIN RELAY	F-7-20-17	CASE, SWIVEL	F-11-3	CONNECTOR(T)	FOP-2-4-8
BRACKET, POWER TILT RELAY	F-7-20-16	CIRCLIP, 14MM	F-5-26	CONTROL UNIT, ELECTRONIC	E-20-1
BRACKET, POWER TILT SWITCH COUPLER		CIRCLIP, EXTERNAL	F-15-1-44	CORD ASSY., IGNITION COIL	E-20-10-7
BRACKET, R. STERN	F-7-20-11	CIRCLIP, EXTERNAL, 12	F-2-31	CORD ASSY., INDICATOR(20FT)	FOP-3-4
BRACKET, R. STERN	F-10-3	CIRCLIP, EXTERNAL, 14MM	F-5-1-25	CORD ASSY., INDICATOR(25FT)	FOP-3-4
BRACKET, REMOTE CONTROL CABLE	F-8-10-1	CIRCLIP, EXTERNAL, 39MM	F-11-31	CORD ASSY., INDICATOR(30FT)	FOP-3-4
BRACKET, REMOTE CONTROL HOUSINGFOP-4-12		CIRCLIP, INTERNAL(16)	F-11-20-12	CORD COMP., EMERGENCY	F-15-43
BRACKET, REMOTE CONTROL HOUSINGFOP-4-2-13		CLAMP	F-6-5	CORD COMP., EMERGENCY	F-15-1-29
BRACKET, RR. UNDER COVER	F-8-5	CLAMP	F-6-8	CORD COMP., EMERGENCY	F-15-2-39
BRACKET, SHIFT LINK	F-2-16	CLAMP B, FUEL TUBE	E-14-6	CORD COMP., EMERGENCY	FOP-3-15
BRACKET, STEERING	FOP-8-9	CLAMP B, FUEL TUBE	E-18-16	CORD COMP., EMERGENCY	FOP-3-1-9
BRACKET, TILT LIMIT SENSOR	FOP-9-9	CLAMP B, FUEL TUBE	F-7-20-2	CORD COMP., EMERGENCY	FOP-3-2-9
BRACKET, TILTING	F-11-12	CLAMP, 6MM-12MM	E-18-25	CORD COMP., EMERGENCY	FOP-3-3-9
BRACKET, TROLLING CONTROL SWITCH PANEL		CLAMP, AIR VENT TUBE	E-18-15	CORD COMP., EMERGENCY	FOP-3-4-9
BRACKET, TUBE CLAMP	F-7-40-4	CLAMP, FUEL TUBE	F-7-20-1	CORD COMP., EMERGENCY	FOP-8-45
BRACKET, WIRE CLAMP	E-18-10	CLAMP, HARNESS	F-15-10	COTTER, VALVE(FUJI VALVE)	E-9-19
BREAKER ASSY.	F-15-2-15	CLAMP, HIGH TENSION CORD	E-20-10-8	COUPLER COMP.	E-18-10-38
BRUSH ASSY.	F-11-20-1	CLAMP, OIL HOSE	E-18-1	COVER	E-18-10-7
BUSH	F-11-20-2	CLAMP, POWER TILT CORD	F-15-32	COVER	E-18-10-25
BUSH A, COVER LOCK	F-15-1-23	CLAMP, SHIFT CABLE	FOP-8-51	COVER ASSY.	FOP-4-4-11
BUSH, LOWER CYLINDER	F-2-19	CLAMP, THROTTLE CABLE	FOP-8-52	COVER ASSY., ENGINE	F-8-10-10
BUSH, MOTOR CODE	F-10-12	CLAMP, TUBE	FOP-9-8	COVER ASSY., FUSE(40A)	F-7-4
BUSH, MOTOR CODE	FOP-10-11	CLAMP, TUBE(7.5-11.5)(BLACK)	E-18-19	COVER ASSY., L. ENGINE UNDER	F-8-10
BUSH, MOTOR CODE	FOP-9-12	CLAMP, TUBE(D29)	E-2-39	COVER ASSY., R. ENGINE UNDER	F-8-9
BUSH, STEERING HANDLE	FOP-8-7	CLAMPER, CORD	F-11-20-8	COVER ASSY., RR.	E-21-13
BUSH, SWIVEL CASE	F-11-6	CLIP B1, TUBE	F-3-30-27	COVER B, GEAR CASE	F-3-11-5
BUSH, THROTTLE SHAFT	FOP-8-80	CLIP(14MM)	FOP-9-17	COVER COMP.	E-18-10-4
BUSH, TILT ARM	F-11-11	CLIP, 10.7MM	F-8-25	COVER KIT, DUST	E-21-17
BUSH, UPPER CYLINDER	F-11-20-33	CLIP, 7MM	F-3-24	COVER, A.C. GENERATOR	F-7-30-1
BUSHING	F-15-1-8	CLIP, COUPLER HOLDER(B)	F-7-20-12	COVER, CAM THRUST	E-2-4
BUTTON, THROTTLE	F-15-1-9	CLIP, DETENT	F-15-2-9	COVER, CYLINDER HEAD	E-2-6
BUTTON, THROTTLE	FOP-4-9	CLIP, EMERGENCY LOCK	F-15-44	COVER, DUAL GRIP	FOP-4-2-8
BUTTON, THROTTLE	FOP-4-2-10	CLIP, EMERGENCY LOCK	FOP-3-16	COVER, FLUSH VALVE	F-3-30-11
BUTTON, THROTTLE	FOP-4-4-8	CLIP, EMERGENCY LOCK	FOP-3-1-10	COVER, FR. SEPARATE	F-8-10-7
BUZZER ASSY., WARNING	FOP-8-47	CLIP, EMERGENCY LOCK	FOP-3-2-10	COVER, GRIP	F-15-1-6
BUZZER COMP., WARNING	F-15-47	CLIP, EMERGENCY LOCK	FOP-3-3-10	COVER, GRIP	FOP-4-4-4
BUZZER COMP., WARNING	F-15-2-42	CLIP, EMERGENCY LOCK	FOP-3-4-10	COVER, IMPELLER	F-4-5
BUZZER COMP., WARNING	FOP-3-20	CLIP, EMERGENCY LOCK	FOP-8-2	COVER, IMPELLER	F-4-1-5
BUZZER COMP., WARNING	FOP-3-1-13	CLIP, HARNESS BAND(BLACK)	E-3-30	COVER, IMPELLER	FOP-1-6
BUZZER COMP., WARNING	FOP-3-2-12	CLIP, HARNESS BAND(BLACK)	F-7-10	COVER, L. GRIP	FOP-4-5
BUZZER COMP., WARNING	FOP-3-3-12	CLIP, HARNESS BAND(BLACK)	F-7-10-19	COVER, L. GRIP	FOP-4-2-6
BUZZER COMP., WARNING	FOP-3-4-12	CLIP, HARNESS BAND(BLACK)	F-11-20-61	COVER, L. LOWER MOUNTING	F-8-14
<C>		CLIP, HARNESS BAND(BLACK)	FOP-2-4-6	COVER, LEVER	F-15-2-6
CABLE ASSY, INTERFACE(6FT)	FOP-2-4-10	CLIP, HARNESS BAND(NATURAL)	E-19-12	COVER, LOCK ARM	FOP-4-4-6
CABLE ASSY. A, LONG HANDLE	FOP-8-35	CLIP, R. BRAKE WIRE	E-18-10-41	COVER, OIL PUMP	E-5-2
CABLE ASSY., REMOTE CONTROL(B)	F-15-35	CLIP, ROLLER	F-15-2-74	COVER, POWER TRIM-TILT WIRE	F-15-2-18
CABLE ASSY., REMOTE CONTROL(B)	F-15-2-30	CLIP, SENSOR HOSE	E-18-21	COVER, POWER TRIM-TILT WIRE	F-15-2-75
CABLE ASSY., STARTER	F-7-10-3	CLIP, TUBE(B10)	E-18-10-46	COVER, R. LOWER MOUNTING	F-8-13
CABLE ASSY., SWITCH PANEL (20FT)	FOP-3-9	CLIP, TUBE(B10)	F-3-30-24	COVER, REMOTE CONTROL CABLE	F-2-6
CABLE ASSY., SWITCH PANEL (25FT)	FOP-3-9	CLIP, TUBE(B12)	E-18-24	COVER, STARTER TERMINAL	F-7-10-4
CABLE ASSY., SWITCH PANEL (30FT)	FOP-3-9	CLIP, TUBE(B12)	F-3-30-25	COVER, THERMOSTAT	E-2-20
CABLE ASSY., SWITCH PANEL(20FT)	FOP-3-9	CLIP, TUBE(B12.5)	F-3-30-26	COVER, UNDER	FOP-8-50
CABLE ASSY., SWITCH PANEL(25FT)	FOP-3-9	CLIP, TUBE, 3.5	E-18-27	COVER, UPPER MOUNT	F-3-30-17
CABLE ASSY., SWITCH PANEL(30FT)	FOP-3-9	CLIP, WIRE	E-18-26	COVER, WATER JACKET	E-2-22
CABLE SET, PANEL INDICATOR (20FT)	FOP-3-2	CLIP, WIRE HARNESS	F-10-23	COVER, WATER JACKET	E-18-10-9
CABLE SET, PANEL INDICATOR (25FT)	FOP-3-2	CLIP, WIRE HARNESS(6.3MM)	F-15-68	CRANKSHAFT	E-7-7
CABLE SET, PANEL INDICATOR (30FT)	FOP-3-2	CLIP, WIRE HARNESS(GREEN)	F-7-9	CUP	E-2-15
CABLE, SHIFT	FOP-8-32	CLIP, WIRE HARNESS, 25MM	E-2-40	CYLINDER, TILT	F-11-20-19
CABLE, THROTTLE	FOP-8-30	COIL COMP., IGNITION(1)	E-20-10-2	<D>	
CAM A, TILT LIMIT ANGLE	FOP-9-10	COIL COMP., IGNITION(2)	E-20-10-3	DOWEL PIN, 12X14	E-3-26
CAM B, TILT LIMIT ANGLE	FOP-9-11	COIL COMP., IGNITION(3)	E-20-10-4	DOWEL PIN, 14X20	E-3-32
CAMSHAFT COMP.	E-9-3	COLLAR, 6MM	F-2-40	DOWEL PIN, 6X10	E-6-18
CAP	FOP-8-61	COLLAR, 8.5X14.5	E-14-24	DOWEL PIN, 6X10	E-6-20
CAP ASSY.	F-10-6	COLLAR, C.D.I. UNIT CASE	E-18-10-48	DOWEL PIN, 6X10	F-3-25
CAP, BOLT, 6MM	E-2-37	COLLAR, C.D.I. UNIT CASE	E-20-10-10	DOWEL PIN, 6X10	F-3-10-21
CAP, GRIP	FOP-4-7	COLLAR, C.D.I. UNIT CASE	F-7-20-25	DOWEL PIN, 6X10	F-3-11-25
CAP, GRIP	FOP-4-2-9	COLLAR, C.D.I. UNIT CASE	F-7-30-4	DOWEL PIN, 6X10	F-4-25
CAP, GRIP	FOP-8-85	COLLAR, C.D.I. UNIT CASE	F-8-28	DOWEL PIN, 6X10	F-4-1-28
CAP, HANDLE	F-15-6	COLLAR, DISTANCE	F-4-33	DOWEL PIN, 8X10	E-7-12
CAP, L. SIDE COVER	F-8-10-14	COLLAR, DISTANCE	F-4-1-36	DRIVER 3, MINUS SCREW(NO.2)	F-13-15
CAP, OIL TANK	F-11-20-37	COLLAR, DISTANCE	FOP-1-18	DRUM ASSY., FREE THROTTLE	F-15-2-26
CAP, OIL(YELLOW)	E-2-9	COLLAR, DISTANCE(A)	FOP-7-3	DUMMY, WATER PROOF (GREEN)	FOP-3-2-4
CAP, RUBBER	F-15-2-16	COLLAR, DISTANCE(B)	FOP-7-4	DUMMY, WATER PROOF (GREEN)	FOP-3-3-4
CAP, SWITCH	FOP-4-8	COLLAR, DISTANCE, 10X90	F-10-26	DUMMY, WATER PROOF (GREEN)	FOP-3-4-4
CAP, TIMING BELT TENSIONER	E-13-7	COLLAR, DISTANCE, 10X90	F-10-26	<E>	
CAP, TROLLING CONTROL SWITCH BLANK		COLLAR, DISTANCE, 10X90	F-10-26	E-RING, 10MM	F-4-34
CAP, WATER JOINT	F-15-2-22	COLLAR, DISTANCE, 10X90	F-10-26	E-RING, 10MM	F-4-1-37
CARTRIDGE, OIL FILTER	F-8-1	COLLAR, DISTANCE, 12.2X23X16	FOP-8-26	E-RING, 10MM	F-11-20-62
CASE ASSY., GEAR	E-3-7	COLLAR, DISTANCE, 6.1X9.1X20.5	F-8-10-24	E-RING, 12MM	F-2-44
CASE ASSY., GEAR	E-21-12	COLLAR, DISTANCE, 6.2X7.5	F-8-30	E-RING, 3MM	F-15-80
CASE ASSY., GEAR	F-3-20-1	COLLAR, DISTANCE, 6.2X7.5	F-8-10-25	E-RING, 4MM	F-2-42
CASE ASSY., GEAR	F-3-20-1	COLLAR, DISTANCE, 6.5X11X7.5	F-3-30-3	E-RING, 4MM	F-8-10-26
CASE ASSY., OIL	E-6-1	COLLAR, DISTANCE, 6.5X16X14.5	F-11-35	E-RING, 4MM	F-15-81
CASE COMP., MOUNT	E-6-9	COLLAR, DISTANCE, 6.5X16X16.5	FOP-8-10-5	E-RING, 4MM	FOP-8-106
CASE KIT, GEAR	F-3-10-1	COLLAR, DISTANCE, 6.5X9X3	F-3-11-33	E-RING, 6MM	F-2-43

E-RING, 6MM	FOP-4-36	HANGER, ENGINE	E-3-3	LABEL, SIGP	F-15-2-48
E-RING, 6MM	FOP-4-2-41	HARNES ASSY., MAIN WIRE	F-7-1	LAMP ASSY., INDICATION	F-15-45
E-RING, 6MM	FOP-4-4-28	HARNES ASSY., POWER TRIM-TILT	F-15-1-27	LAMP ASSY., INDICATION	F-15-2-40
E-RING, 6MM(LOOSE PARTS)	F-15-2-68	HARNES ASSY., REMOTE CONTROL SUB	FOP-2-4-2	LAMP ASSY., INDICATION(4-LED)	FOP-3-1-18
E-RING, 7MM	F-15-82		FOP-2-4-2	LAMP ASSY., INDICATION(4-LED)	FOP-3-1-11
E-RING, 7MM	FOP-8-107	HARNES ASSY., SWITCH PANEL	FOP-3-8	LAMP ASSY., INDICATOR	FOP-8-46
<F>		HARNES ASSY., SWITCH PANEL	FOP-3-1-4	LEVER SET, SHIFT	E-21-18
FILTER	E-2-13	HARNES ASSY., SWITCH PANEL	FOP-3-2-3	LEVER, FASTENER	F-8-7
FLOAT	E-2-14	HARNES ASSY., SWITCH PANEL	FOP-3-3-3	LEVER, FASTENER	F-8-10-12
FLOAT SET	E-18-10-2	HARNES ASSY., SWITCH PANEL	FOP-3-4-3	LEVER, FREE THROTTLE	F-15-2-28
FRAME ASSY., REMOTE CONTROL BOX	F-15-1-10	HARNES COMP.	E-18-10-39	LEVER, FRICTION	FOP-8-6
FRAME ASSY., SHIFT	FOP-8-34	HARNES, TROLLING CONTROL SWITCH PANEL	F-7-40-5	LEVER, HAND	F-15-2-3
FRAME ASSY., THROTTLE SUB	FOP-8-70		F-7-40-5	LEVER, HANDLE LOCK	F-15-4
FRAME, MOUNT	F-11-1	HEAD COMP., CYLINDER	E-2-2	LEVER, HANDLE LOCK	F-15-1-3
FRAME, THROTTLE	FOP-8-58	HOLDER	E-18-10-8	LEVER, IDLE	F-15-23
FUSE, BLADE(40A)	F-7-3	HOLDER ASSY., BRUSH	E-21-11	LEVER, SHIFT	FOP-8-33
FUSE, MINI(10A)	F-7-11	HOLDER, EX. PIPE GROMMET	F-3-1	LIFTER, FUEL PUMP	E-2-11
FUSE, MINI(15A)	F-7-12	HOLDER, NEUTRAL LOCK	F-15-2-20	LIMIT KIT, TILT	FOP-9-1
FUSE, MINI(30A)	F-7-13	HOLDER, NEUTRAL LOCK	FOP-4-4-14	LINE COMP., FUEL	E-14-3
<G>		HOLDER, OIL FILTER	E-3-18	LINER, PUMP	F-4-3
GASKET B, IMPELLER	F-4-1-6	HOLDER, PROPELLER SHAFT	F-5-12	LINER, PUMP	F-4-1-3
GASKET B, IMPELLER	FOP-1-8	HOLDER, PROPELLER SHAFT	F-5-1-12	LINER, PUMP	FOP-1-4
GASKET KIT(BF60)	EOP-1-1	HOLDER, SEAL	F-2-17	LINER, SWIVEL CASE	F-11-4
GASKET, CYLINDER HEAD	E-2-5	HOLDER, SHIFT ROD	F-4-1-3	LINK, THROTTLE	F-2-3
GASKET, EX. PIPE	E-6-7	HOLDER, SHIFT ROD	F-4-1-15	LINKAGE, PIVOT	F-2-1
GASKET, IMPELLER	F-4-6	HOLDER, SWITCH	FOP-8-81	LOW PERMEATION HOSE L=1600	F-6-7
GASKET, IMPELLER	FOP-1-7	HOLDER, WATER TUBE SEAL	F-4-4	LOW PERMEATION HOSE L=700	F-6-6
GASKET, MOUNT CASE	E-6-10	HOLDER, WATER TUBE SEAL	F-4-1-4	<M>	
GASKET, WATER PUMP	F-4-1-8	HOLDER, WATER TUBE SEAL	FOP-1-5	MANIFOLD COMP., INLET	E-14-10
GASKET, WATER PUMP	FOP-1-9	HOSE COMP., FUEL	E-18-9	MARK, CHANGE	FOP-8-28
GAUGE COMP., OIL LEVEL	E-6-5	HOUSING	FOP-8-49	MARK, EMBLEM	F-15-2-47
GEAR ASSY., INTERNAL	E-21-16	HOUSING ASSY., INNER	F-15-1-22	MARK, EMERGENCY START(ENGLISH)	F-12-12
GEAR ASSY., SHIFT	F-15-2-23	HOUSING ASSY., L. INNER	FOP-4-3	MARK, EMERGENCY STOP(US)	F-15-2-44
GEAR COMP., FR. BEVEL(28T)	F-5-1-8	HOUSING ASSY., L. INNER	FOP-4-2-3	MARK, EMERGENCY STOP(US)(LOOSE PARTS)	F-15-2-45
GEAR COMP., FR. BEVEL(29T)	F-5-8	HOUSING ASSY., R. INNER	FOP-4-2-4	MARK, EMERGENCY SWITCH INDICATION(EU)	FOP-8-10
GEAR, DRIVE	F-15-2-24	HOUSING ASSY., R. INNER	FOP-4-4-2	MARK, FAST IDLE	F-15-50
GEAR, PINION(12T)	F-4-1-18	HOUSING ASSY., REMOTE CONTROL BOX(A)	F-15-1-7	MARK, FAST IDLE	F-15-2-43
GEAR, PINION(14T)	F-4-1-7	HOUSING COMP., REMOTE CONTROL BOX	FOP-4-13	MARK, FLUSH MOUNT	FOP-4-4-19
GEAR, PLANET	E-21-5	HOUSING COMP., REMOTE CONTROL BOX(A)	F-15-11	MARK, FR.	F-12-16
GEAR, RR. BEVEL(28T)	F-5-1-9	HOUSING COMP., REMOTE CONTROL BOX(B)	F-15-12	MARK, FR. EMBLEM(TOATSU)	F-12-16
GEAR, RR. BEVEL(29T)	F-5-9	HOUSING COMP., REMOTE CONTROL BOX(DUAL)	FOP-4-2-14	MARK, HANDLE FLUSH MOUNT	FOP-4-4-18
GEAR, SHIFT	FOP-8-67	HOUSING COMP., REMOTE CONTROL BOX(DUAL)	F-15-12	MARK, L. SIDE STRIPE	F-12-15
GENERATOR ASSY., A.C.	E-19-1	HOUSING, FR.	F-15-2-12	MARK, POWER THRUST	F-12-7
GENERATOR ASSY., A.C.	E-19-1	HOUSING, IMPELLER	F-4-2	MARK, R. SIDE STRIPE	F-12-14
GRIP	F-15-2-5	HOUSING, IMPELLER	F-4-1-2	MARK, REMOTE CONTROL(A)(PANEL)	F-15-1-31
GRIP ASSY., THROTTLE FRICTION	FOP-8-79	HOUSING, IMPELLER	F-4-1-2	MARK, REMOTE CONTROL(B)	F-15-1-32
GRIP, REMOTE CONTROL HANDLE	F-15-5	HOUSING, IMPELLER	FOP-1-3	MARK, REMOTE CONTROL(C)	F-15-1-32
GRIP, REMOTE CONTROL HANDLE	F-15-1-4	HOUSING, LEAD	FOP-4-14	MARK, REMOTE CONTROL(DUAL)	FOP-4-2-24
GRIP, REMOTE CONTROL HANDLE	FOP-4-6	HOUSING, LEAD	FOP-4-14	MARK, REMOTE CONTROL(SINGLE)	FOP-4-21
GRIP, REMOTE CONTROL HANDLE	FOP-4-2-7	HOUSING, LEAD	FOP-4-2-15	MARK, RR.	F-12-13
GRIP, SCREW DRIVER	F-13-16	HOUSING, LOWER CENTER MOUNTING	F-11-2	MARK, RR.	F-12-13
GROMMET	F-15-1-15	HOUSING, LOWER MOUNTING	F-3-8	MARK, SIDE STRIPE	F-12-14
GROMMET	FOP-8-55	HOUSING, REMOTE CONTROL BOX(B)	F-15-1-12	MARK, SIDE STRIPE	F-12-15
GROMMET, AIR GUIDE	E-15-10-7	HOUSING, REMOTE CONTROL BOX(C)	F-15-13	MARK, STARTER(ENGLISH)	FOP-8-11
GROMMET, C.D.I. UNIT CASE(B)	F-7-20-5	HOUSING, REMOTE CONTROL BOX(C)	F-15-1-14	MARK, THROTTLE(ENGLISH)	FOP-8-29
GROMMET, ELECTRONIC PARTS CASE	E-20-10-1	HOUSING, RR.	F-15-2-13	METAL COMP., ANODE	F-3-10-8
GROMMET, ELECTRONIC PARTS CASE	F-7-20-4	HOUSING, WATER PUMP	F-4-1-7	METAL COMP., ANODE	F-3-11-10
GROMMET, EX. PIPE	F-3-2	HOUSING, WATER SEAL	F-4-16	METAL KIT, ANODE	F-10-1
GROMMET, EXTENSION CASE	F-3-5	<I>		METAL, ANODE	E-2-1
GROMMET, GEAR CASE	F-3-10-4	IMPELLER, PUMP	F-4-1	METAL, ANODE	E-3-6
GROMMET, GEAR CASE	F-3-11-4	IMPELLER, PUMP	F-4-1-1	METAL, JOINT	F-11-20-15
GROMMET, GEAR CASE	F-3-11-6	IMPELLER, PUMP	FOP-1-2	METER LEAD WIRE	FOP-2-1-3
GROMMET, POWER TILT SWITCH	FOP-8-63	INJECTOR ASSY., FUEL	E-14-1	MOTOR ASSY., POWER TILT	F-11-20-5
GROMMET, POWER TILT SWITCH	FOP-8-64	INSULATOR	E-18-10-28	MOTOR ASSY., STARTER	E-21-1
GROMMET, RELAY BRACKET	F-7-20-15	INSULATOR COMP.	E-18-10-27	MOUNT COMP., LOWER RUBBER	F-3-9
GROMMET, REMOTE CONTROL CABLE	F-8-10-4	<J>		MOUNT COMP., UPPER RUBBER	F-3-30-16
GROMMET, SIDE	FOP-8-75	JOINT A, BREATHER	FOP-9-3	<N>	
GROMMET, SIDE COVER	F-7-30-3	JOINT ASSY (INLET)	F-6-2	NIPPLE, GREASE	F-11-33
GROMMET, STEERING HANDLE CABLE	FOP-8-3	JOINT ASSY (OUTLET)	F-6-3	NIPPLE, SENSOR	F-13-5
GROMMET, TA SENSOR	E-15-10-9	JOINT SET	E-18-10-6	NIPPLE, SENSOR	FOP-9-7
GROMMET, UNDER CASE	E-18-10-40	JOINT, DRIVE	F-11-20-16	NUT	FOP-3-2-16
GROMMET, UNDER CASE	F-7-30-2	JOINT, FUEL FEED HOSE	E-18-7	NUT	FOP-3-3-16
GROMMET, UNDER CASE	F-8-4	JOINT, FUEL PIPE	E-14-5	NUT	FOP-3-4-16
GROMMET, UNDER CASE	F-8-10-3	JOINT, FUEL PIPE	E-18-10-34	NUT(1/4X20)	F-15-1-41
GROMMET, UNDER CASE(C)	F-8-10-5	JOINT, FUEL TUBE	E-15-10-3	NUT, 5MM	F-15-2-59
GROMMET, VAPOR SEPARATOR	E-14-4	JOINT, THREE WAY	E-18-18	NUT, 6MM(LOOSE PARTS)	F-15-2-57
GROMMET, WATER CHECK	F-8-15	JOINT, WATER HOSE	F-3-30-9	NUT, CASTLE, 16MM	F-5-15
GROMMET, WATER TUBE	E-6-8	JOINT, WATER MOUTH	F-13-18	NUT, CASTLE, 18MM	F-5-1-14
GROMMET, WIRE(14)	F-15-2-21	<K>		NUT, CLIP	F-8-23
GUIDE COMP., AIR	E-15-10-4	KEY, SPECIAL WOODRUFF, 25X18	E-7-9	NUT, FLANGE CAP, 8MM	E-3-24
GUIDE, HARNESS	FOP-8-76	KEY, WOODRUFF	F-4-24	NUT, FLANGE, 10MM	F-3-30-22
GUIDE, OUTER TUBE	F-11-20-18	KEY, WOODRUFF	F-4-1-27	NUT, FLANGE, 10MM	F-10-18
GUIDE, SPRING	F-11-20-28	KEY, WOODRUFF	FOP-1-14	NUT, FLANGE, 5MM	FOP-3-3
GUIDE, SPRING	FOP-8-59	KEY, WOODRUFF, 25X14	E-7-13	NUT, FLANGE, 5MM	FOP-3-1-2
GUIDE, THROTTLE HARNESS	FOP-8-69	KIT, CABLE(NMEA)(6FT)	FOP-2-4-7	NUT, FLANGE, 5MM	FOP-3-2-15
<H>		KNOB, RECOIL STARTER	F-13-1	NUT, FLANGE, 5MM	FOP-3-3-15
HANDLE KIT, STEERING (US)	FOP-8-1	<L>		NUT, FLANGE, 5MM	FOP-3-4-15
HANDLE, REMOTE CONTROL	F-15-3	LABEL, CAUTION OIL	F-12-10	NUT, FLANGE, 6MM	F-7-20-23
HANDLE, REMOTE CONTROL	F-15-1-2	LABEL, CAUTION OPERATOR	F-12-11	NUT, FLANGE, 8MM	E-14-21
HANDLE, REMOTE CONTROL	FOP-4-4	LABEL, FUSE	F-12-2	NUT, HEX, 12MM	F-10-27
HANDLE, REMOTE CONTROL	FOP-4-2-5				
HANDLE, REMOTE CONTROL	FOP-4-4-3				

NUT, HEX., 12MM	FOP-8-18	O-RING, 6.9X1.45	F-3-11-29	PLATE, DWELL	FOP-4-2-16
NUT, HEX., 12MM	FOP-8-27	O-RING, 6.9X1.45	F-3-11-30	PLATE, DWELL	FOP-4-4-10
NUT, HEX., 16MM	F-4-1-22	O-RING, 7.3X2.2	E-14-22	PLATE, FRICTION	FOP-8-5
NUT, HEX., 16MM	F-8-24	O-RING, 7.8X1.9(ARAI)	E-14-23	PLATE, HANDLE	FOP-4-10
NUT, HEX., 16MM	F-15-55	O-RING, 7.8X1.9(ARAI)	E-18-10-47	PLATE, HANDLE	FOP-4-2-11
NUT, HEX., 16MM	F-15-2-58	O-RING, 76.5X3	F-3-10-29	PLATE, HARNESS	FOP-8-82
NUT, HEX., 16MM	FOP-3-23	O-RING, 76.5X3	F-5-25	PLATE, LEVER SETTING	F-15-9
NUT, HEX., 16MM	FOP-3-1-16	O-RING, 9.5X1.9	E-2-45	PLATE, LOCK	F-2-15
NUT, HEX., 16MM	FOP-8-93	O-RING, 9.5X1.9	E-3-29	PLATE, LOCK	FOP-8-53
NUT, HEX., 20MM	F-7-20-24	O-RING, 94X4.1	F-3-11-32	PLATE, REMOTE CONTROL	F-15-48
NUT, HEX., 4MM	F-7-40-8	O-RING, 94X4.1	F-5-1-24	PLATE, REMOTE CONTROL CABLE	F-2-5
NUT, HEX., 4MM	FOP-9-21	O-RING, PRESSURE REGULATOR	E-18-10-33	PLATE, RUBBER SETTING	F-3-10-2
NUT, HEX., 5MM	F-2-41	O-RING, THERMOSTAT COVER	E-2-21	PLATE, RUBBER SETTING	F-3-11-2
NUT, HEX., 5MM	F-15-79	O-RING, WATER PUMP	F-4-31	PLATE, SET	F-11-20-34
NUT, HEX., 5MM	FOP-4-29	O-RING, WATER PUMP	F-4-1-34	PLATE, SHIFT	F-5-7
NUT, HEX., 5MM	FOP-4-35	O-RING, WATER PUMP	FOP-1-16	PLATE, SHIFT	F-5-1-7
NUT, HEX., 5MM	FOP-4-2-33	<P>		PLATE, SHIFT CLAMP	FOP-8-74
NUT, HEX., 5MM	FOP-4-2-34	PACKING	E-18-10-13	PLATE, SHIFT PIVOT	F-2-12
NUT, HEX., 5MM	FOP-4-2-40	PACKING, DUAL	FOP-4-2-19	PLATE, SPRING SETTING	F-15-24
NUT, HEX., 5MM	FOP-9-20	PACKING, ELECTRONIC AIR CONTROL VALVE		PLATE, STEERING	F-11-14
NUT, HEX., 6MM	F-15-56			PLATE, SWITCH	F-15-2-36
NUT, HEX., 6MM	F-15-78	PACKING, EX. WATER JACKET COVER	E-14-12	PLATE, SWITCH	FOP-8-44
NUT, HEX., 6MM	FOP-4-4-25	PACKING, FLASH VALVE	E-2-23	PLATE, TDC PULSER	E-9-4
NUT, JOINT METAL	F-11-20-63	PACKING, HEAD COVER	F-3-30-14	PLATE, TIMING BELT GUIDE	E-13-2
NUT, LOCK, 42MM	E-13-12	PACKING, INTAKE MANIFOLD	E-14-8	PLATE, WINKER BUZZER	F-15-46
NUT, LOCK, 64MM	F-4-1-21	PACKING, OIL PAN	E-6-2	PLATE, WINKER BUZZER	F-15-2-41
NUT, NYLON, 5MM	FOP-8-94	PACKING, REGULATOR	E-3-10	PLATE, WINKER BUZZER	FOP-3-19
NUT, SELF-LOCK(3/8-24UNF)	F-11-24	PACKING, SINGLE	FOP-4-18	PLATE, WINKER BUZZER	FOP-3-1-12
NUT, SELF-LOCK(7/8-14UNF)	F-10-17	PACKING, THROTTLE BODY	E-14-9	PLUG COMP.	F-11-20-25
NUT, SELF-LOCK, 12MM	F-3-19	PAD, THROTTLE FRICTION	FOP-8-83	PLUG, INNER CONNECTOR	F-15-36
NUT, SELF-LOCK, 5MM	F-3-10-17	PANEL ASSY., CONTROL(SINGLE)	FOP-3-2-19	PLUG, INNER CONNECTOR	F-15-2-31
NUT, SELF-LOCK, 5MM	F-3-11-20	PANEL ASSY., CONTROL(TRIPLE)	FOP-3-4-19	PLUG, INNER CONNECTOR	FOP-2-4-3
NUT, SELF-LOCK, 6MM	F-3-10-15	PANEL ASSY., CONTROL(TWIN)	FOP-3-3-19	PLUG, INNER CONNECTOR	FOP-3-10
NUT, SELF-LOCK, 6MM	F-3-11-18	PANEL ASSY., INDICATOR(4-LED)	FOP-3-17	PLUG, INNER CONNECTOR	FOP-3-1-5
NUT, SELF-LOCK, 8MM	FOP-8-19	PANEL ASSY., SWITCH	FOP-3-5	PLUG, INNER CONNECTOR	FOP-3-2-5
NUT, SPECIAL(12MM)	F-4-21	PANEL ASSY., TROLLING CONTROL	F-7-40-6	PLUG, INNER CONNECTOR	FOP-3-3-5
NUT, TAPPET ADJUSTING	E-9-21	PANEL KIT, SWITCH(4-LED)	FOP-3-1-1	PLUG, INNER CONNECTOR	FOP-3-4-5
NUT, WATER MOUTH	F-3-30-8	PANEL KIT, SWITCH(B)(4-LED)	FOP-3-1	PLUG, INNER CONNECTOR	FOP-8-38
NUT,(3/8-24 UNF)	F-11-22	PANEL KIT, SWITCH(SINGLE)	FOP-3-2-1	PLUG, OUTER CONNECTOR	F-15-37
NUT-WASHER, 8MM	F-7-8	PANEL KIT, SWITCH(TRIPLE)	FOP-3-4-1	PLUG, OUTER CONNECTOR	F-15-2-32
NUT-WASHER, 8MM	F-7-10-15	PANEL KIT, SWITCH(TWIN)	FOP-3-3-1	PLUG, OUTER CONNECTOR	FOP-2-4-4
<O>		PANEL, BACK	F-15-2-14	PLUG, OUTER CONNECTOR	FOP-3-11
OIL SEAL	F-11-20-45	PANEL, CONTROL	FOP-3-6	PLUG, OUTER CONNECTOR	FOP-3-1-6
OIL SEAL, 14X26X6	F-2-36	PANEL, CONTROL	FOP-3-7	PLUG, OUTER CONNECTOR	FOP-3-2-6
OIL SEAL, 31X46X7(NOK)	E-5-7	PANEL, CONTROL	FOP-3-1-3	PLUG, OUTER CONNECTOR	FOP-3-3-6
OIL SEAL, 35X52X8(ARAI)	E-2-41	PANEL, CONTROL(SINGLE)	FOP-3-2-2	PLUG, OUTER CONNECTOR	FOP-3-4-6
OIL SEAL, 39.5X52X6(ARAI)	F-11-34	PANEL, CONTROL(TRIPLE)	FOP-3-4-2	PLUG, SPARK(LMAR6C-9)	E-2-24
OIL SEAL, 52X72X8(NOK)	E-3-27	PANEL, CONTROL(TWIN)	FOP-3-3-2	PORT, IDLE EXHAUST	F-3-30-4
O-RING	E-2-17	PIN, 5X44.5	F-8-10-21	PRIMER BULB	F-6-4
O-RING	E-2-18	PIN, 5X59	F-8-27	PRIMER BULB ASSY	F-6-1
O-RING	E-14-14	PIN, 6X6	F-15-65	PROPELLER COMP., THREE BLADES	FOP-6-1
O-RING	E-18-10-12	PIN, GEARSHIFT	F-15-1-45	PROPELLER COMP., THREE BLADES	FOP-6-1
O-RING	E-18-10-14	PIN, LINK	F-2-33	PROPELLER COMP., THREE BLADES	FOP-6-1
O-RING	E-18-10-15	PIN, LINK	F-2-35	PROPELLER COMP., THREE BLADES	FOP-6-1
O-RING	E-18-10-16	PIN, LOCK, 6MM	F-15-64	PROPELLER COMP., THREE BLADES	FOP-6-1
O-RING	E-18-10-18	PIN, PISTON	E-7-3	PROPELLER COMP., THREE BLADES	FOP-6-1
O-RING	F-3-11-31	PIN, SHIFT LINK	F-2-34	PROPELLER COMP., THREE BLADES	FOP-6-1
O-RING	F-4-1-33	PIN, SHIFTER, 6.3X33	F-5-2	PROPELLER COMP., THREE BLADES	FOP-6-1
O-RING, 1.5X3.5	F-11-20-49	PIN, SHIFTER, 8X47	F-5-1-2	PROPELLER COMP., THREE BLADES	FOP-6-1
O-RING, 1.5X6.5	F-11-20-48	PIN, SLIDE	FOP-8-66	PROPELLER COMP., THREE BLADES	FOP-6-1
O-RING, 1.8X10.8	F-11-20-55	PIN, SNAP, 6MM	F-2-32	PROPELLER COMP., THREE BLADES	FOP-6-1
O-RING, 1.8X69.6	F-11-20-47	PIN, SPLIT, 4.0	F-3-10-22	PROPELLER COMP., THREE BLADES	FOP-6-1
O-RING, 1.9X15.8	F-11-20-59	PIN, SPLIT, 4.0	F-3-11-26	PROPELLER COMP., THREE BLADES	FOP-6-1
O-RING, 13X3.0	E-6-19	PIN, SPLIT, 4.0	F-5-20	PULLER, MINI FUSE(SUMITOMO)	F-13-4
O-RING, 15.54X2.26	F-10-25	PIN, SPLIT, 4.0	F-5-1-18	PULLEY, TIMING BELT DRIVE(19T)	E-13-1
O-RING, 15X1.9	E-2-46	PIN, SPRING, 2.0X12	F-8-26	PULLEY, TIMING BELT DRIVE	E-13-4
O-RING, 15X1.9	E-19-11	PIN, SPRING, 2.5X20	F-11-32	PUMP	F-11-20-17
O-RING, 16MM	F-3-30-29	PIN, SPRING, 2.5X8	F-10-24	PUMP ASSY., FUEL	E-2-10
O-RING, 2.0X28.5	F-11-20-57	PIN, UPPER CYLINDER	F-11-20-35	PUMP ASSY., OIL	E-5-1
O-RING, 2.0X34.5	F-11-20-58	PIN, UPPER CYLINDER	F-11-20-35	PUMP KIT, IMPELLER	FOP-1-1
O-RING, 2.0X45.5	F-11-20-56	PIN, UPPER CYLINDER	F-11-20-35	PUMP KIT, IMPELLER	FOP-1-1
O-RING, 2.0X49.5	F-11-20-52	PIN, UPPER CYLINDER	F-11-20-35	PUMP UNIT, FUEL	E-18-10-31
O-RING, 2.0X52.5	F-11-20-51	PINION ASSY.	E-21-4	<R>	
O-RING, 2.0X55.5	F-11-20-50	PIPE COMP., EX.	E-6-6	RECTIFIER ASSY., REGULATOR	E-3-8
O-RING, 2.4X15.8	F-11-20-60	PIPE, HARNESS GUIDE	F-15-33	REGULATOR ASSY., PRESSURE	E-18-10-32
O-RING, 2.4X41.2	F-11-20-54	PIPE, OIL STRAINER	E-6-4	RELAY ASSY., MAIN	F-7-5
O-RING, 20.6X1.9	FOP-8-103	PIPE, THREE WAY JOINT	E-18-10-37	RELAY ASSY., POWER TILT	F-7-20-13
O-RING, 21.2X2.4(ARAI)	E-5-8	PIPE, THROTTLE GRIP	FOP-8-84	RESERVOIR	F-11-20-36
O-RING, 26.9X2.4(NOK)	F-2-38	PISTON	E-7-2	RESERVOIR COMP.	F-11-20-65
O-RING, 26X2.7	E-2-42	PIVOT, SHIFT	F-2-13	RETAINER	F-15-1-13
O-RING, 3.5X41.7	F-11-20-53	PIVOT, SHIFT	F-15-18	RETAINER, VALVE SPRING	E-9-17
O-RING, 31.2X2.4	E-2-44	PIVOT, SHIFT SLIDE	F-2-14	RING	E-18-10-29
O-RING, 33.7X3.5	F-3-10-28	PLATE	E-18-10-11	RING SET, PISTON(STD.)(RIKEN)	E-7-1
O-RING, 33.7X3.5	F-4-30	PLATE ASSY.	F-15-2-2	RING, BACKUP	E-18-10-17
O-RING, 46.8X2.2(NOK)	E-2-43	PLATE COMP., SLIDING	F-15-16	RING, CROSS PIN	F-5-3
O-RING, 5.1X2.2(ARAI)	E-3-28	PLATE COMP., THROTTLE	F-2-4	RING, CROSS PIN	F-5-1-3
O-RING, 58.5X3.5	F-3-10-30	PLATE, AIR GUIDE	E-15-10-5	RING, SEAL	E-14-2
O-RING, 58.5X3.5	F-4-32	PLATE, BALL GUIDE	FOP-8-68	RING, STOPPER	F-4-12
O-RING, 58.5X3.5	F-4-1-35	PLATE, CABLE CLAMP	FOP-4-11	RING, STOPPER	F-4-1-14
O-RING, 58.5X3.5	FOP-1-17	PLATE, CABLE CLAMP	FOP-4-2-12	ROD A COMP., SHIFT(L)	F-4-11
O-RING, 6.9X1.45	F-3-10-26	PLATE, CRANK PULSER	E-13-3	ROD A COMP., SHIFT(L)	F-4-1-13
O-RING, 6.9X1.45	F-3-10-27	PLATE, DWELL	FOP-4-15	ROD COMP., ADJUSTING	F-10-7

ROD COMP., CONNECTING	E-7-5	SCREW, PAN, 6X18	FOP-4-27	SLEEVE COMP.	F-11-20-24
ROD COMP., PISTON	F-11-20-14	SCREW, PAN, 6X18	FOP-4-2-30	SLIDER COMP., SHIFT	F-5-4
ROD COMP., SHIFT	F-4-9	SCREW, PAN, 6X35	FOP-4-4-23	SLIDER COMP., SHIFT	F-5-1-4
ROD COMP., SHIFT(L)	F-4-1-11	SCREW, PAN, 6X8	F-3-17	SLIDER, SHIFT	F-5-5
ROD COMP., THROTTLE	F-2-2	SCREW, PAN, 6X8	F-11-20-41	SLIDER, SHIFT(POWER THRUST)	F-5-1-5
ROD KIT, STEERING	FOP-8-10-1	SCREW, PAN, 6X8	FOP-9-14	SLINGER, OIL	F-4-15
ROD, STEERING	F-11-15	SCREW, RIVET, 5X10	F-8-22	SLINGER, OIL	F-4-1-17
ROD, STEERING	F-11-16	SCREW, RIVET, 5X10	FOP-9-15	SPACER	FOP-8-56
ROD, STEERING	FOP-8-10-2	SCREW, TAPPET ADJUSTING	E-9-14	SPACER KIT, REMOTE CONTROL BOX	FOP-4-2
ROLLER	F-15-2-70	SCREW, TAPPING, 4X25	FOP-2-4-9	SPACER KIT, REMOTE CONTROL BOX	FOP-4-2-2
ROLLER	FOP-8-65	SCREW, TAPPING, 5X10	F-15-74	SPACER(1)(LOOSE PARTS)	F-15-2-10
ROLLER, 3X12.8	F-5-23	SCREW, TAPPING, 5X12	F-15-75	SPACER(2)(LOOSE PARTS)	F-15-2-67
ROLLER, 3X12.8	F-5-1-22	SCREW, TAPPING, 5X20	E-15-10-11	SPACER, 10MM	F-5-13
ROLLER, 4X8	E-9-22	SCREW, TAPPING, 5X25	F-15-77	SPACER, CABLE CLAMP	F-15-34
ROLLER, 5X8	E-5-9	SCREW, TAPPING, 5X8	F-15-73	SPACER, CABLE CLAMP	FOP-4-17
ROLLER, CAM	FOP-8-72	SCREW, TAPPING, 6X16	F-15-76	SPACER, CABLE CLAMP	FOP-4-2-18
ROLLER, CLICK	F-15-67	SCREW, TAPPING, 6X30	FOP-4-4-24	SPACER, CABLE CLAMP	FOP-4-4-13
ROLLER, DRIVE GEAR CAM	F-15-2-69	SCREW, TRUSS, 4X12	FOP-4-4-21	SPACER, CLICK SPRING	F-15-28
ROLLER, FREE THROTTLE	F-15-2-73	SCREW, WASHER	E-18-10-22	SPACER, NEUTRAL SWITCH	F-15-31
ROLLER, PLATE	FOP-8-71	SCREW(M4X16)	E-21-3	SPACER, REMOTE CONTROL BOX	F-15-27
ROLLER, SHIFT CLICK	F-15-1-47	SCREW-WASHER	E-18-10-19	SPOOL COMP.	F-11-20-23
ROPE, RECOIL STARTER	F-13-2	SCREW-WASHER	E-18-10-20	SPRING	FOP-8-62
ROTOR	E-19-2	SCREW-WASHER	F-11-20-38	SPRING COMP., CLICK	F-2-9
RUBBER, CUSHION	F-8-11	SEAL A, COVER UNDER	F-3-30-18	SPRING COMP., TIMING BELT ADJUSTING	
RUBBER, FENDER MOUNTING	F-8-6	SEAL A, VALVE STEM(NOK)	E-9-1		E-13-8
RUBBER, FENDER MOUNTING	F-8-10-9	SEAL B, COVER UNDER	F-3-10	SPRING(1)	F-15-2-27
RUBBER, GRIP	FOP-8-86	SEAL B, VALVE STEM(NOK)	E-9-2	SPRING(2)	F-15-2-8
RUBBER, MOUNT CASE SEAL	F-3-30-15	SEAL SET	E-18-10-10	SPRING, ACCELERATOR WHEEL	F-15-22
RUBBER, OIL PUMP	F-3-30-2	SEAL, ENGINE COVER	F-8-10-11	SPRING, ADJUSTING ROD	F-10-9
RUBBER, RING	E-2-49	SEAL, RR. UNDER COVER	F-8-12	SPRING, CHOKE RETURN	F-15-26
RUBBER, TROLLING CONTROL SWITCH PANEL		SEAL, RUBBER	F-15-2-19	SPRING, CLICK ASSIST.	F-2-10
	F-7-40-2	SEAL, WATER	F-11-20-46	SPRING, COMPRESSION	E-18-10-36
RUBBER, WATER TUBE SEAL	F-4-8	SEAL, WATER CHECK GROMMET	F-8-16	SPRING, DETENT	F-15-2-29
RUBBER, WATER TUBE SEAL	F-4-1-10	SEAL, WATER(14X26X8)	F-2-37	SPRING, EX. VALVE	E-9-16
RUBBER, WATER TUBE SEAL	FOP-1-10	SEAL, WATER, 12X21X6	F-3-10-25	SPRING, FLUSH VALVE	F-3-30-12
<S>		SEAL, WATER, 12X21X6	F-3-11-28	SPRING, GEAR SHIFT	F-15-1-20
SCREEN COMP., FUEL STRAINER	E-18-10-35	SEAL, WATER, 12X21X6	F-4-29	SPRING, IN. VALVE	E-9-15
SCREEN, L. WATER	F-3-10-6	SEAL, WATER, 12X21X6	F-4-1-32	SPRING, MOTOR	F-11-20-10
SCREEN, L. WATER	F-3-11-8	SEAL, WATER, 17X26X7	F-3-30-28	SPRING, NEUTRAL LOCK ARM	FOP-4-4-7
SCREEN, R. WATER	F-3-10-5	SEAL, WATER, 17X36X6	F-3-10-23	SPRING, RELIEF VALVE	E-5-4
SCREEN, R. WATER	F-3-11-7	SEAL, WATER, 17X36X6	F-4-28	SPRING, REMOTE CONTROL HANDLE	F-15-8
SCREW A	F-15-1-33	SEAL, WATER, 22X35X7	F-3-10-24	SPRING, REMOTE CONTROL HANDLE	F-15-1-5
SCREW B	F-15-1-34	SEAL, WATER, 22X35X7	F-5-24	SPRING, SHIFT	F-5-6
SCREW C	F-15-1-35	SEAL, WATER, 23X36X6	F-4-1-31	SPRING, SHIFT CLICK	F-15-25
SCREW SET	E-15-1	SEAL, WATER, 23X36X6	FOP-1-15	SPRING, SHIFT CLICK	F-15-1-24
SCREW SET, DRAIN	E-18-10-5	SEAL, WATER, 30X45X7	F-3-11-27	SPRING, SHIF ROD	F-4-10
SCREW(10-32X3/8)	F-15-1-39	SEAL, WATER, 30X45X7	F-5-1-23	SPRING, SHIF ROD	F-4-1-12
SCREW(10-32X5/8)	F-15-1-40	SEAT B, VALVE	F-11-20-30	SPRING, SHIFT(POWER THRUST)	F-5-1-6
SCREW(8-32X3/8)	F-15-1-38	SEAT, VALVE SPRING	E-9-18	SPRING, TILT LEVER	F-11-10
SCREW, 4X10	F-15-2-52	SEAT, WATER MOUTH	F-3-30-10	SPRING, VALVE	F-11-20-31
SCREW, 4X6	F-15-2-50	SENSOR ASSY., AIR TEMP.	E-15-10-8	STATOR	E-19-3
SCREW, 5X10	F-15-2-51	SENSOR ASSY., CRANK	E-19-5	STATOR	E-19-3
SCREW, 5X12	F-15-2-53	SENSOR ASSY., MAP	E-14-13	STAY	FOP-8-73
SCREW, 5X18	F-15-2-49	SENSOR ASSY., TDC	E-2-27	STAY, FUEL STRAINER	E-14-7
SCREW, 6X90(LOOSE PARTS)	F-15-2-54	SENSOR ASSY., TRIM ANGLE	F-10-2	STAY, POWER TILT SWITCH	F-8-3
SCREW, 6X95	F-15-54	SENSOR ASSY., WATER TEMPERATURE	E-2-26	STOPPER SET, WASHER	E-21-9
SCREW, FLAT, 5X12	F-15-53	SENSOR ASSY., WATER TEMPERATURE	E-3-13	STOPPER, ENGINE SIDE	F-3-30-1
SCREW, FLAT, 5X14	FOP-8-89	SENSOR, OXYGEN	E-2-25	STOPPER, ROD	F-10-8
SCREW, FLAT, 5X37	F-3-10-12	SEPARATOR ASSY., VAPOR	E-18-10-30	STOPPER, SHIFT	FOP-8-54
SCREW, FLAT, 5X55	F-3-11-12	SHAFT ASSY., PROPELLER	F-5-10	STOPPER, TILT	F-11-13
SCREW, FRICTION	F-15-1-36	SHAFT ASSY., PROPELLER	F-5-1-10	STRAINER ASSY., FUEL	E-2-12
SCREW, PAN	E-18-10-21	SHAFT ASSY., THROTTLE	FOP-8-57	STRAINER COMP., FUEL	E-18-17
SCREW, PAN, 4X10	FOP-4-26	SHAFT COMP., ROCKER	E-9-9	STRAINER COMP., OIL	E-6-3
SCREW, PAN, 4X10	FOP-4-2-29	SHAFT COMP., SHIFT	F-2-18	SUB HARNESS ASSY., POWER TRIM-TILT (A)	
SCREW, PAN, 4X14	FOP-9-18	SHAFT COMP., TILT	F-10-10		FOP-4-19
SCREW, PAN, 5X10	F-15-72	SHAFT, GEAR SHIFT	F-15-1-19	SUB HARNESS ASSY., POWER TRIM-TILT (C)	
SCREW, PAN, 5X10	FOP-4-23	SHAFT, HANDLE	F-15-1-17		FOP-4-4-16
SCREW, PAN, 5X10	FOP-4-2-26	SHAFT, PINION	E-21-15	SUB HARNESS ASSY., POWER TRIM-TILT(A)	
SCREW, PAN, 5X14	FOP-8-105	SHAFT, PROPELLER	F-5-11		FOP-4-2-20
SCREW, PAN, 5X16	FOP-4-22	SHAFT, PROPELLER(POWER THRUST)	F-5-1-11	SUB HARNESS ASSY., POWER TRIM-TILT(B)	
SCREW, PAN, 5X16	FOP-4-2-25	SHAFT, SWIVEL	F-11-9		FOP-4-2-21
SCREW, PAN, 5X16	FOP-4-4-20	SHAFT, THROTTLE BUTTON	FOP-4-4-9	SUSPENSION, AUDIBLE PILOT	FOP-3-2-11
SCREW, PAN, 5X18	FOP-4-25	SHAFT, VERTICAL(L)	F-4-14	SUSPENSION, AUDIBLE PILOT	FOP-3-3-11
SCREW, PAN, 5X18	FOP-4-2-28	SHAFT, VERTICAL(L)	F-4-1-16	SUSPENSION, AUDIBLE PILOT	FOP-3-4-11
SCREW, PAN, 5X20	E-2-47	SHIFTER, CLUTCH	F-5-1	SUSPENSION, COUPLER	F-7-2
SCREW, PAN, 5X20	F-11-20-42	SHIFTER, CLUTCH(POWER THRUST)	F-5-1-1	SUSPENSION, IGNITION COIL	E-20-10-6
SCREW, PAN, 5X20	FOP-4-24	SHIM A, BEVEL(FR.)(0.10)	F-5-1-17	SUSPENSION, RELAY	F-7-6
SCREW, PAN, 5X20	FOP-4-2-27	SHIM A, GEAR(0.10)	F-4-1-26	SUSPENSION, STARTER	E-21-19
SCREW, PAN, 5X20	FOP-9-19	SHIM B, BEVEL(FR.)(0.15)	F-5-1-17	SUSPENSION, STRAINER	E-2-16
SCREW, PAN, 5X30	FOP-4-4-22	SHIM B, GEAR(0.15)	F-4-1-26	SUSPENSION, WARNING BUZZER	FOP-8-48
SCREW, PAN, 5X40	FOP-3-22	SHIM C, BEVEL(FR.)(0.30)	F-5-1-17	SWITCH ASSY., COMBINATION	F-15-39
SCREW, PAN, 5X40	FOP-3-1-15	SHIM C, GEAR(0.30)	F-4-1-26	SWITCH ASSY., COMBINATION	F-15-2-33
SCREW, PAN, 5X40	FOP-3-2-14	SHIM D, BEVEL(FR.)(0.50)	F-5-1-17	SWITCH ASSY., COMBINATION	FOP-3-13
SCREW, PAN, 5X40	FOP-3-3-14	SHIM D, GEAR(0.50)	F-4-1-26	SWITCH ASSY., COMBINATION	FOP-3-1-7
SCREW, PAN, 5X40	FOP-3-4-14	SHIM, FR. BEVEL(A)(51X57X0.10)	F-5-19	SWITCH ASSY., COMBINATION	FOP-3-2-7
SCREW, PAN, 5X40	FOP-4-28	SHIM, FR. BEVEL(B)(51X57X0.15)	F-5-19	SWITCH ASSY., COMBINATION	FOP-3-3-7
SCREW, PAN, 5X40	FOP-4-2-31	SHIM, FR. BEVEL(C)(51X57X0.30)	F-5-19	SWITCH ASSY., COMBINATION	FOP-3-4-7
SCREW, PAN, 5X55	FOP-4-2-32	SHIM, FR. BEVEL(D)(51X57X0.50)	F-5-19	SWITCH ASSY., COMBINATION	FOP-8-39
SCREW, PAN, 5X65	FOP-4-34	SHIM, GEAR(A)(40X46X0.10)	F-4-23	SWITCH ASSY., EMERGENCY STOP	F-15-42
SCREW, PAN, 5X65	FOP-4-2-39	SHIM, GEAR(B)(40X46X0.15)	F-4-23	SWITCH ASSY., EMERGENCY STOP	F-15-1-28
SCREW, PAN, 6X10	F-15-52	SHIM, GEAR(C)(40X46X0.30)	F-4-23	SWITCH ASSY., EMERGENCY STOP	F-15-2-38
SCREW, PAN, 6X18	E-3-31	SHIM, GEAR(D)(40X46X0.50)	F-4-23	SWITCH ASSY., EMERGENCY STOP	FOP-3-14

SWITCH ASSY., EMERGENCY STOP	FOP-3-1-8	WASHER(3)	F-15-2-61	WHEEL, ACCELERATOR	F-15-21
SWITCH ASSY., EMERGENCY STOP	FOP-8-41	WASHER(4)	F-15-2-62	WHEEL, CONTROL	F-15-14
SWITCH ASSY., EMERGENCY STOP (SINGLE)	FOP-3-2-8	WASHER(5)	F-15-2-63	WHEEL, CONTROL	F-15-11-16
SWITCH ASSY., EMERGENCY STOP (TRIPLE)	FOP-3-4-8	WASHER(7)(LOOSE PARTS)	F-15-2-65	WIRE, FASTENER	F-8-8
SWITCH ASSY., EMERGENCY STOP (TWIN)	FOP-3-3-8	WASHER, 10MM	F-11-28	WIRE, FASTENER	F-8-10-13
SWITCH ASSY., MAGNETIC	E-21-14	WASHER, 10MM	FOP-8-22	WIRE, LEAD(1.5X116MM)	F-3-7
SWITCH ASSY., NEUTRAL	F-7-20-9	WASHER, 12.5X34X5	E-13-13	WIRE, LEAD(1.5X116MM)	F-11-20-11
SWITCH ASSY., OIL PRESSURE	E-3-12	WASHER, 13MM	F-2-28	WRENCH, BOX(10MM)	F-13-10
SWITCH ASSY., POWER TILT	F-8-2	WASHER, 14MM	F-2-27	WRENCH, PLUG	F-13-9
SWITCH ASSY., POWER TILT	FOP-8-43	WASHER, 17MM	F-5-18	<Y>	
SWITCH ASSY., POWER TRIM-TILT	F-15-40	WASHER, 22MM	F-5-16	YOKE ASSY.	E-21-6
SWITCH ASSY., POWER TRIM-TILT	F-15-2-35	WASHER, 28MM	F-15-63	YOKE COMP.	F-11-20-9
SWITCH ASSY., POWER TRIM-TILT (A)	F-15-1-30	WASHER, 5MM	FOP-8-99		
SWITCH ASSY., POWER TRIM-TILT (A)	FOP-4-20	WASHER, 6MM	F-15-61		
SWITCH ASSY., POWER TRIM-TILT (A)	FOP-4-2-22	WASHER, 8MM	F-4-1-25		
SWITCH ASSY., POWER TRIM-TILT (B)	FOP-4-2-23	WASHER, 8MM	F-15-2-64		
SWITCH ASSY., POWER TRIM-TILT (C)	FOP-4-4-17	WASHER, 8MM	FOP-1-13		
SWITCH ASSY., TILT LIMIT	FOP-9-5	WASHER, 8MM	FOP-8-21		
SWITCH ASSY., TROLLING CONTROL	F-7-40-1	WASHER, 8MM	FOP-8-96		
SWITCH ASSY., TROLLING CONTROL	FOP-8-42	WASHER, DRAIN PLUG, 12MM	E-6-17		
<T>		WASHER, DRAIN PLUG, 20MM	E-2-48		
TAB, TRIM	F-3-10-7	WASHER, IN. WAVE	E-9-11		
TAB, TRIM	F-3-11-9	WASHER, LOCK, 5MM	FOP-4-30		
TACHOMETER HOUR METER	FOP-2-1-2	WASHER, LOCK, 5MM	FOP-4-2-35		
TACHOMETER HOUR METER	FOP-2-1-2	WASHER, LOCK, 5MM	FOP-4-4-26		
TENSIONER COMP., TIMING BELT	E-13-6	WASHER, LOCK, 6MM	FOP-4-32		
TERMINAL, CABLE	FOP-4-16	WASHER, LOCK, 6MM	FOP-4-2-37		
TERMINAL, CABLE	FOP-4-2-17	WASHER, LOCK, 6MM	FOP-4-2-37		
TERMINAL, CABLE	FOP-4-4-12	WASHER, NYLON, 8MM	F-2-29		
TERMINAL, CABLE(LOOSE PARTS)	F-15-2-25	WASHER, NYLON, 8MM	FOP-8-23		
THERMOSTAT ASSY.	E-2-19	WASHER, PIVOT	F-2-8		
TIE, CABLE	FOP-2-4-5	WASHER, PLAIN, 10MM	E-13-14		
TIE, CABLE(NATURAL)(2.4X92)	F-7-20-8	WASHER, PLAIN, 10MM	F-3-10-20		
TIE, CABLE(NATURAL)(2.4X92)	F-15-38	WASHER, PLAIN, 10MM	F-3-11-23		
TIE, CABLE(NATURAL)(2.4X92)	FOP-3-12	WASHER, PLAIN, 10MM	F-3-30-23		
TRIM METER ASSY	FOP-2-1-1	WASHER, PLAIN, 10MM	F-10-20		
TRIM METER ASSY	FOP-2-1-1	WASHER, PLAIN, 12MM	F-3-22		
TRIM-TILT ASSY., POWER	F-11-20-13	WASHER, PLAIN, 12MM	F-3-26		
TUBE A, AIR VENT	E-18-10-23	WASHER, PLAIN, 12MM	F-4-22		
TUBE A, WATER	F-3-30-5	WASHER, PLAIN, 12MM	F-4-1-23		
TUBE B, AIR VENT	E-18-10-24	WASHER, PLAIN, 12MM	F-10-21		
TUBE B, CHECK VALVE	E-18-3	WASHER, PLAIN, 12MM	F-10-22		
TUBE B, WATER	F-3-30-6	WASHER, PLAIN, 12MM	FOP-8-24		
TUBE C, AIR VENT	E-18-4	WASHER, PLAIN, 12MM	FOP-8-25		
TUBE C, FUEL	E-18-14	WASHER, PLAIN, 18.5MM	F-5-1-16		
TUBE C, WATER	F-3-30-7	WASHER, PLAIN, 4MM	F-15-57		
TUBE COMP. A, BREATHER	E-15-10-1	WASHER, PLAIN, 4MM	FOP-9-16		
TUBE COMP. A, FUEL	E-18-11	WASHER, PLAIN, 5MM	F-15-58		
TUBE COMP. B, BREATHER	E-15-10-2	WASHER, PLAIN, 5MM	F-15-59		
TUBE COMP. B, FUEL	E-18-12	WASHER, PLAIN, 5MM	FOP-3-25		
TUBE COMP., DRAIN	E-18-2	WASHER, PLAIN, 5MM	FOP-3-1-18		
TUBE D, AIR VENT	E-18-5	WASHER, PLAIN, 5MM	FOP-3-2-17		
TUBE D, FUEL	E-18-13	WASHER, PLAIN, 5MM	FOP-3-3-17		
TUBE E, AIR VENT	E-18-6	WASHER, PLAIN, 5MM	FOP-3-4-17		
TUBE KIT, SPEED SENSOR	FOP-9-2	WASHER, PLAIN, 5MM	FOP-4-31		
TUBE, 5X530	FOP-9-22	WASHER, PLAIN, 5MM	FOP-4-33		
TUBE, 5X950	FOP-9-23	WASHER, PLAIN, 5MM	FOP-4-2-36		
TUBE, CORD, 30MM	FOP-8-104	WASHER, PLAIN, 5MM	FOP-4-2-38		
TUBE, CORRUGATE(28MM)	F-15-1	WASHER, PLAIN, 6MM	F-2-26		
TUBE, CORRUGATE(28MM)	F-15-2-76	WASHER, PLAIN, 6MM	F-4-1-24		
TUBE, FLUSH VALVE	F-3-30-30	WASHER, PLAIN, 6MM	F-11-27		
TUBE, FUEL, 5.3X35	E-18-28	WASHER, PLAIN, 6MM	F-15-60		
TUBE, FUEL, 8X130	F-3-30-32	WASHER, PLAIN, 6MM	FOP-4-4-27		
TUBE, OIL	E-2-8	WASHER, PLAIN, 8MM	FOP-8-10-4		
TUBE, OUTER	F-11-20-32	WASHER, PLAIN, 8MM	E-6-16		
TUBE, PRESSURE REGULATOR CONTROL	E-18-8	WASHER, PLAIN, 8MM	F-2-30		
TUBE, SPIRAL	FOP-9-6	WASHER, PLAIN, 8MM	F-3-21		
TUBE, SPIRAL(12X14.6)	F-11-20-4	WASHER, PLAIN, 8MM	F-3-10-19		
TUBE, WATER(L)	F-4-7	WASHER, PLAIN, 8MM	F-3-11-22		
TUBE, WATER(L)(POWER THRUST)	F-4-1-9	WASHER, PLAIN, 8MM	F-7-10-17		
<V>		WASHER, PLAIN, 8MM	F-15-62		
VALVE ASSY., ELECTRONIC AIR CONTROL	E-14-11	WASHER, PLATE	FOP-8-98		
VALVE COMP.	F-11-20-27	WASHER, PROPELLER THRUST	F-5-17		
VALVE COMP. B	F-11-20-22	WASHER, PROPELLER THRUST	F-5-1-15		
VALVE COMP., MANUAL	F-11-20-26	WASHER, SEAL	F-11-20-43		
VALVE SET	F-11-20-29	WASHER, SEALING, 24MM	E-3-2		
VALVE SET, FLOAT	E-18-10-1	WASHER, SEALING, 6MM	E-3-25		
VALVE, CHECK	E-18-20	WASHER, SEALING, 6MM	E-18-10-45		
VALVE, EX	E-9-13	WASHER, SHIFT SHAFT	F-2-25		
VALVE, FLASH	F-3-30-13	WASHER, SIDE, 14MM	F-2-24		
VALVE, IN.	E-9-12	WASHER, SPRING, 4MM	F-7-40-9		
VALVE, RELIEF	E-5-3	WASHER, SPRING, 5MM	FOP-3-26		
<W>		WASHER, SPRING, 5MM	FOP-3-1-19		
WASHER	F-15-1-42	WASHER, SPRING, 5MM	FOP-3-2-18		
WASHER	F-15-1-43	WASHER, SPRING, 5MM	FOP-3-3-18		
WASHER	FOP-8-95	WASHER, SPRING, 5MM	FOP-3-4-18		
WASHER	FOP-8-97	WASHER, THRUST	E-7-10		
		WASHER, THRUST	E-9-10		
		WASHER, THRUST, 34MM	F-11-26		
		WASHER, WAVE	F-15-2-66		
		WASHER, WAVE, 14MM	FOP-8-20		
		WASHER, WAVE, 26MM	F-10-19		
		WASHER, WAVE, 40MM	F-11-25		

INDEX (Parts Number)

06328-ZZ3-764	FOP-2-4-7	HCO-94001-12490-05	F-10-27	HMB6-91302-830	E-6-19	HRMA-16723-E00	E-18-7
32800-ZZ3-000	FOP-2-4-10	HCO-94002-04490-05	FOP-9-21	HMC6-15562-000	E-18-1	HRNA-37830-A01	E-14-13
32805-ZZ3-000	FOP-2-4-8	HCO-94002-05490-05	F-15-79	HMCT-16961-010	E-18-18	HRWC-90017-A01	E-19-8
332-70201-0	F-6-8	HCO-94002-12490-05	FOP-8-27	HME5-91304-003	E-3-28	HS04-38235-003	F-13-4
3C7-70217-0	F-6-5	HCO-94101-10800	E-13-14	HME9-16960-000	E-18-10-37	HS04-90190-000	E-13-11
3C7-70220-1	F-6-2	HCO-94103-05400	FOP-3-25	HMEL-90007-003	E-2-31	HS0A-91540-003	E-19-12
3C7-70224-1	F-6-3	HCO-94103-05400	FOP-3-1-18	HMG9-35701-950	F-8-10-2	HS0A-91541-003	E-3-30
3FF-70200-4	F-6-1	HCO-94109-20000	E-2-48	HMG9-35701-950	F-11-20-3	HS0A-91541-003	F-7-10
3GF-70211-1	F-6-4	HCO-94111-04500	F-7-40-9	HMG9-35701-950	F-15-41	HS0A-91541-003	F-7-10-19
3GF-70240-1	F-6-7	HCO-94111-05400	FOP-3-26	HMG9-91058-681	F-15-66	HS0A-91541-003	F-11-20-61
3GF-70241-1	F-6-6	HCO-94111-05400	FOP-3-1-19	HMG9-91058-681	F-15-2-77	HS0A-90683-003	E-2-40
3PU-72537-0	FOP-2-1-3	HCO-94301-06100	E-6-20	HMJ0-91301-003	E-14-23	HSB0-90602-003	F-8-25
3PU-72571-0	FOP-2-1-1	HCO-94301-08100	E-7-12	HMJ0-91301-003	E-18-10-47	HSB6-91475-000	F-15-68
3PU-72637-0	FOP-2-1-2	HCO-94301-14200	E-3-32	HMJ0-91308-003	F-3-11-31	HSC2-90649-003	FOP-3-24
3PV-72571-0	FOP-2-1-1	HCO-94401-25140	E-7-13	HMJ0-91308-003	F-4-1-33	HSC2-90649-003	FOP-3-1-17
3PV-72637-0	FOP-2-1-2	HCO-94510-14000	F-5-1-25	HMM4-90105-000	F-15-52	HSD2-90705-931	F-2-32
93901-446J0	FOP-2-4-9	HCO-94540-03029	F-15-80	HMR5-16966-000	E-15-10-3	HSE0-53740-953	E-18-11
H341-38403-672	F-15-46	HCO-94540-04029	F-2-42	HMT8-18334-770	FOP-3-3	HSJ6-47585-003	E-18-10-41
H341-38403-672	F-15-2-41	HCO-94540-04029	F-8-10-26	HMT8-18334-770	FOP-3-1-2	HSL9-91507-003	F-7-9
H341-38403-672	FOP-3-19	HCO-94540-04029	F-15-81	HMV5-91005-601	F-5-1-19	HSTK-91540-003	FOP-2-4-6
H341-38403-672	FOP-3-1-12	HCO-94540-04029	FOP-8-106	HP01-91212-003	E-5-7	HSZ5-91531-003	E-18-27
H355-89217-000	F-13-10	HCO-94540-06029	F-2-43	HP08-14775-000	E-9-18	HV15-90402-003	F-11-20-43
H357-13331-000	E-7-9	HCO-94540-06029	FOP-4-36	HP2A-37881-000	E-15-10-9	HZ0G-16446-003	F-7-20-1
H397-90442-000	E-3-25	HCO-94540-06029	FOP-4-2-41	HPC6-90402-000	E-13-13	HZC0-63515-700	F-8-10-14
H437-50142-970	F-7-30-3	HCO-94540-06029	FOP-4-4-28	HPC9-91331-003	E-5-8	HZE2-90601-000	E-6-17
H590-90155-000	E-3-18	HCO-94540-07029	F-15-82	HPD2-90701-000	E-3-26	HZE3-91201-004	E-2-41
H723-90472-000	F-4-22	HCO-94540-07029	FOP-8-107	HPD6-90430-003	E-18-10-45	HZH8-28461-013	F-13-1
H723-90472-000	F-4-1-23	HCO-94540-10019	F-4-34	HPD6-90430-003	E-18-10-45	HZJ1-91408-810	FOP-8-104
H750-90628-000	FOP-9-17	HCO-94540-10019	F-4-1-37	HPF0-91302-003	F-2-38	HZV0-90017-C10	F-2-20
H763-90681-A01	F-10-23	HCO-94540-10029	F-11-20-62	HPFB-15231-003	E-5-3	HZV0-90113-000	F-11-18
H766-56113-801	F-11-20-16	HCO-94540-12029	F-2-44	HPFB-15400-014	E-3-7	HZV0-90113-000	FOP-8-10-3
H800-91303-000	F-3-30-29	HCO-95001-55035-40	E-18-28	HPG7-16741-005	E-18-10-33	HZV0-90604-000	E-18-24
H805-91301-000	E-2-42	HCO-95001-80130-40	F-3-30-32	HPGK-37835-A01	E-14-14	HZV0-90604-000	F-3-30-25
H881-19271-811	F-13-18	HCO-95005-50530-30	FOP-9-22	HPLC-37880-004	E-15-10-8	HZV1-90506-000	FOP-8-20
H881-90116-000	F-4-19	HCO-95005-50950-30	FOP-9-23	HPM3-14744-000	E-9-14	HZV4-12155-A00	E-2-1
H881-90116-000	FOP-1-11	HCO-95701-10040-08	E-13-15	HPM3-90206-004	E-9-21	HZV4-16910-015	E-18-17
H921-15611-000	E-2-9	HCO-96100-60070-00	F-5-27	HPNA-91307-003	E-2-45	HZV4-36182-651	F-15-43
H921-17936-000	F-2-8	HCO-96100-62080-00	F-5-1-26	HPNA-91307-003	E-3-29	HZV4-36182-651	F-15-2-39
H921-50343-300	F-10-9	HCO-96211-06000	F-5-28	HPNA-91333-003	E-2-46	HZV4-36182-651	FOP-3-15
H921-90302-000	F-8-24	HCO-96211-07000	F-5-29	HPNA-91333-003	E-19-11	HZV4-36182-651	FOP-3-1-9
H921-90302-000	F-15-55	HCO-96211-07000	F-5-1-27	HPNB-37500-003	E-19-5	HZV4-36182-651	FOP-8-45
H921-90302-000	F-15-2-58	HCO-96211-11000	F-5-1-28	HPP4-90009-E01	E-18-10-42	HZV4-36187-652	F-15-44
H921-90302-000	FOP-3-23	HCO-96220-40080	E-9-22	HPW5-91204-005	E-3-27	HZV4-36187-652	FOP-3-16
H921-90302-000	FOP-3-1-16	HCO-96220-50080	E-5-9	HPWA-11107-300	E-3-2	HZV4-36187-652	FOP-3-1-10
H921-90302-000	FOP-8-93	HCO-96300-06014-09	E-5-10	HPWA-13111-000	E-7-3	HZV4-36187-652	FOP-8-2
H921-90504-010	F-15-60	HCO-96300-06025-09	E-5-11	HPWA-13204-003	E-7-4	HZV4-90302-000	F-3-10-17
H921-90511-000	F-10-20	HCO-96300-08060-09	E-6-21	HPWA-13211-003	E-7-6	HZV4-90302-000	F-3-11-20
H921-90512-010	F-15-61	HCO-98200-41000	F-7-11	HPWA-13212-003	E-7-6	HZV4-90304-000	F-15-56
H921-90514-000	F-4-1-25	HCO-98200-41500	F-7-12	HPWA-13213-003	E-7-6	HZV4-90502-000	F-15-59
H921-90514-000	FOP-1-13	HCO-98200-43000	F-7-13	HPWA-13214-003	E-7-6	HZV4-90502-000	FOP-4-31
H921-90514-000	FOP-8-21	HCO-99003-30000	F-13-15	HPWA-13215-003	E-7-6	HZV4-90502-000	FOP-4-2-36
H921-90518-000	F-2-30	HCO-99003-50000	F-13-16	HPWA-13216-003	E-7-6	HZV4-90506-000	F-11-27
H921-90518-000	F-15-62	HCO-99008-01600	F-13-17	HPWA-13217-003	E-7-6	HZV4-90506-000	FOP-8-10-4
H952-32901-770	F-7-20-8	HGC1-38402-000	FOP-3-2-11	HPWA-13322-003	E-7-8	HZV4-90507-000	E-6-16
H952-32901-770	F-15-38	HGC1-38402-000	FOP-3-3-11	HPWA-13323-003	E-7-8	HZV4-90507-000	F-3-21
H952-32901-770	FOP-3-12	HGC1-38402-000	FOP-3-4-11	HPWA-13324-003	E-7-8	HZV4-90507-000	F-3-10-19
HCO-92101-04020-4J	F-7-40-7	HGE1-17357-670	FOP-9-3	HPWA-13325-003	E-7-8	HZV4-90507-000	F-3-11-22
HCO-92101-05016-4J	F-15-71	HGET-90429-000	F-2-24	HPWA-13326-003	E-7-8	HZV4-90511-000	F-4-1-24
HCO-93401-06020-08	F-3-30-31	HHA0-32121-003	F-7-10-1	HPWA-13327-003	E-7-8	HZV4-90514-000	F-11-28
HCO-93500-04014-4J	FOP-9-18	HHP5-91304-601	FOP-8-103	HPWA-13328-003	E-7-8	HZV4-90514-000	FOP-8-22
HCO-93500-05010-4J	F-15-72	HHW1-90101-671	F-3-11	HPWA-13342-003	E-7-11	HZV4-90603-000	E-18-10-46
HCO-93500-05014-4J	FOP-8-105	HHW1-90114-671	F-3-16	HPWA-13343-003	E-7-11	HZV4-90603-000	F-3-30-24
HCO-93500-05020-4J	E-2-47	HHW1-90118-671	FOP-8-16	HPWA-13344-003	E-7-11	HZV4-90605-000	F-3-30-26
HCO-93500-05020-4J	FOP-9-19	HHW1-90205-670	E-18-23	HPWA-13345-003	E-7-11	HZV5-06411-020	F-10-1
HCO-93500-05065-4J	FOP-4-34	HHW1-90206-671	F-3-10-16	HPWA-13346-003	E-7-11	HZV5-12155-000	E-3-6
HCO-93500-05065-4J	FOP-4-2-39	HHW1-90215-671	F-10-16	HPWA-13347-003	E-7-11	HZV5-14520-020	E-13-8
HCO-93500-06018-4J	E-3-31	HHW1-90225-670	F-3-11-19	HPWA-13348-003	E-7-11	HZV5-14522-000	E-13-9
HCO-93901-250J0	F-15-73	HKM3-32161-003	FOP-9-4	HPWA-14222-004	E-9-5	HZV5-17202-310	F-3-30-3
HCO-93901-251J0	F-15-74	HKPC-16472-D50	E-14-2	HPWA-14647-000	E-9-10	HZV5-17838-000	F-2-1
HCO-93901-252J0	F-15-75	HKPH-91301-701	E-14-22	HPWA-90006-003	E-9-20	HZV5-19210-003	F-4-1
HCO-93903-254G0	E-15-10-11	HKSU-32501-J00	F-7-3	HPWC-14711-000	E-9-12	HZV5-19210-003	F-4-1-1
HCO-93903-262J0	F-15-76	HKTB-15232-000	E-5-4	HPX4-91302-004	E-2-43	HZV5-19210-003	FOP-1-2
HCO-93905-255J0	F-15-77	HMB0-91359-000	F-3-10-30	HPY3-14647-000	E-9-11	HZV5-19252-000	E-6-8
HCO-94001-04490-05	F-7-40-8	HMB0-91359-000	F-4-32	HPY3-17439-A01	E-18-19	HZV5-24102-000	F-5-2
HCO-94001-05490-05	F-2-41	HMB0-91359-000	F-4-1-35	HPZ1-12210-004	E-9-1	HZV5-24103-000	F-5-3
HCO-94001-05490-05	FOP-4-35	HMB0-91359-000	FOP-1-17	HPZ1-12211-004	E-9-2	HZV5-24811-010	F-15-3
HCO-94001-05490-05	FOP-4-2-40	HMB1-90655-921	E-18-26	HRB0-14721-000	E-9-13	HZV5-24812-000	F-15-4
HCO-94001-05490-05	FOP-9-20	HMB6-61102-631	F-8-6	HRGA-14765-000	E-9-17	HZV5-24813-000	F-15-5
HCO-94001-06490-05	F-15-78	HMB6-61102-631	F-8-10-9	HRGM-14781-A01	E-9-19	HZV5-24814-010	F-15-6

HZV5-24815-010.	F-15-7	HZV5-90115-821.	F-11-20-40	HZW1-24320-B00	F-4-1-13	HZW1-90758-B00	F-5-1-18
HZV5-24816-000.	F-15-8	HZV5-90119-000.	F-3-17	HZW1-24327-000	F-4-1-12	HZW1-90953-003	F-15-1-46
HZV5-24817-000.	F-15-9	HZV5-90119-000.	F-11-20-41	HZW1-24327-000	F-4-1-14	HZW1-91051-B02	F-5-1-20
HZV5-24818-003.	F-15-10	HZV5-90119-000.	FOP-9-14	HZW1-24343-B02	F-4-1-15	HZW1-91052-B02	F-4-1-29
HZV5-24820-010.	F-15-11	HZV5-90125-000.	F-15-54	HZW1-24629-000	F-2-17	HZW1-91054-B31	F-4-1-30
HZV5-24830-010.	F-15-12	HZV5-90126-000.	F-3-10-14	HZW1-24800-V21	F-15-1-1	HZW1-91101-003	F-5-2-23
HZV5-24836-000.	F-15-13	HZV5-90127-003.	F-8-22	HZW1-24811-V21	F-15-1-2	HZW1-91101-003	F-5-1-22
HZV5-24841-000.	F-15-14	HZV5-90127-003.	FOP-9-15	HZW1-24812-V21	F-15-1-3	HZW1-91351-B02	F-3-11-32
HZV5-24845-000.	F-15-15	HZV5-90131-000.	E-6-15	HZW1-24813-V21	F-15-1-4	HZW1-91351-B02	F-5-1-24
HZV5-24850-000.	F-15-16	HZV5-90134-821.	F-11-20-42	HZW1-24816-V21	F-15-1-5	HZW1-91553-003	F-15-1-47
HZV5-24854-000.	F-15-17	HZV5-90301-000.	F-5-15	HZW1-24819-V21	F-15-1-6	HZW1-91554-000	E-14-24
HZV5-24855-000.	F-15-18	HZV5-90302-000.	F-11-22	HZW1-24820-V21	F-15-1-7	HZW2-90003-000	E-20-10-9
HZV5-24860-000.	F-15-19	HZV5-90302-003.	F-7-20-24	HZW1-24821-003	F-15-1-8	HZW2-90003-000	F-7-20-18
HZV5-24865-000.	F-15-20	HZV5-90303-000.	F-4-21	HZW1-24822-V21	F-15-1-9	HZW2-90301-F00	F-7-20-23
HZV5-24875-000.	F-15-21	HZV5-90304-013.	F-10-17	HZW1-24825-V01	F-15-1-10	HZW2-91251-F01	F-3-30-28
HZV5-24876-000.	F-15-22	HZV5-90307-003.	F-11-24	HZW1-24829-003	F-15-1-11	HZW4-30280-H11	F-11-20-1
HZV5-24878-000.	F-15-23	HZV5-90308-003.	F-3-19	HZW1-24830-V21	F-15-1-12	HZW4-32543-H01	FOP-8-36
HZV5-24881-000.	F-15-24	HZV5-90501-000.	F-11-25	HZW1-24834-003	F-15-1-13	HZW4-32544-H01	FOP-8-37
HZV5-24883-000.	F-15-25	HZV5-90502-000.	F-10-19	HZW1-24836-V21	F-15-1-14	HZW4-36123-H12	F-11-20-7
HZV5-24884-000.	F-15-26	HZV5-90503-000.	F-5-16	HZW1-24839-V01	F-15-1-15	HZW4-36125-H11	F-11-20-8
HZV5-24885-000.	F-15-27	HZV5-90504-000.	F-11-26	HZW1-24841-V01	F-15-1-16	HZW4-53113-H01	FOP-8-60
HZV5-24887-000.	F-15-28	HZV5-90506-020.	F-5-17	HZW1-24843-V01	F-15-1-17	HZW4-53115-H02	FOP-8-63
HZV5-24891-000.	F-15-29	HZV5-90508-000.	F-5-18	HZW1-24845-V01	F-15-1-18	HZW4-53116-H01	FOP-8-65
HZV5-24892-000.	F-15-30	HZV5-90518-000.	F-4-23	HZW1-24847-V01	F-15-1-19	HZW4-53116-H11	FOP-8-7
HZV5-24894-000.	F-15-31	HZV5-90519-000.	F-4-23	HZW1-24848-V01	F-15-1-20	HZW4-56114-H11	F-11-20-17
HZV5-24895-000.	F-15-32	HZV5-90520-000.	F-4-23	HZW1-24865-V01	F-15-1-21	HZW4-56115-H11	F-11-20-18
HZV5-24897-000.	F-15-33	HZV5-90521-000.	F-4-23	HZW1-24870-V21	F-15-1-22	HZW4-56150-H11	F-11-20-23
HZV5-24898-000.	F-15-34	HZV5-90528-000.	F-5-19	HZW1-24873-V01	F-15-1-23	HZW4-56182-H11	F-11-20-28
HZV5-30598-000.	F-7-20-5	HZV5-90529-000.	F-5-19	HZW1-24883-V01	F-15-1-24	HZW4-56191-H11	F-11-20-30
HZV5-32823-003.	F-15-36	HZV5-90530-000.	F-5-19	HZW1-35180-003	F-15-1-28	HZW4-56192-H11	F-11-20-31
HZV5-32823-003.	F-15-2-31	HZV5-90531-000.	F-5-19	HZW1-35182-003	F-15-1-29	HZW4-56517-H11	F-11-20-34
HZV5-32823-003.	FOP-2-4-3	HZV5-90552-000.	F-3-22	HZW1-35370-V01	F-15-1-30	HZW4-58130-H02ZA	FOP-6-1
HZV5-32823-003.	FOP-3-10	HZV5-90552-000.	F-10-21	HZW1-40107-700	F-8-10-5	HZW4-58130-H3ZA	FOP-6-1
HZV5-32823-003.	FOP-3-1-5	HZV5-90552-000.	FOP-8-24	HZW1-41102-B00	F-3-11-4	HZW4-58130-H42ZA	FOP-6-1
HZV5-32823-003.	FOP-3-2-5	HZV5-90557-000.	F-15-63	HZW1-41109-B00	F-3-10-8	HZW4-58130-H53ZA	FOP-6-1
HZV5-32823-003.	FOP-3-3-5	HZV5-90559-000.	F-10-22	HZW1-41109-B00	F-3-11-10	HZW4-90082-H01	E-2-37
HZV5-32823-003.	FOP-3-4-5	HZV5-90559-000.	FOP-8-25	HZW1-41116-B00	F-4-1-17	HZW4-90101-H00	FOP-8-13
HZV5-32823-003.	FOP-8-38	HZV5-90563-000.	F-3-10-20	HZW1-41131-B01	F-4-1-18	HZW4-90104-H01	FOP-8-88
HZV5-32824-003.	F-15-37	HZV5-90563-000.	F-3-11-23	HZW1-41201-B02ZZ	F-5-1-12	HZW4-90108-000	F-15-53
HZV5-32824-003.	F-15-2-32	HZV5-90751-000.	F-15-64	HZW1-50214-000	F-11-6	HZW4-90111-H11	F-11-20-39
HZV5-32824-003.	FOP-2-4-4	HZV5-90752-003.	F-4-24	HZW1-58130-W03ZA	FOP-6-1	HZW4-90126-000	E-14-20
HZV5-32824-003.	FOP-3-11	HZV5-90752-003.	F-4-1-27	HZW1-58130-W13ZA	FOP-6-1	HZW4-90126-000	E-21-21
HZV5-32824-003.	FOP-3-1-6	HZV5-90752-003.	FOP-11-14	HZW1-58130-W24ZA	FOP-6-1	HZW4-90146-000	E-15-3
HZV5-32824-003.	FOP-3-2-6	HZV5-90756-000.	E-6-18	HZW1-58130-W33ZA	FOP-6-1	HZW4-90158-000	E-2-38
HZV5-32824-003.	FOP-3-3-6	HZV5-90756-000.	F-3-25	HZW1-58130-W64ZA	FOP-6-1	HZW4-90168-000	F-8-10-20
HZV5-32824-003.	FOP-3-4-6	HZV5-90756-000.	F-3-10-21	HZW1-87538-740	F-12-11	HZW4-90303-H00	FOP-8-18
HZV5-35370-823.	F-15-40	HZV5-90756-000.	F-3-11-25	HZW1-87705-003	F-15-1-31	HZW4-90306-003	F-3-30-22
HZV5-36104-821.	FOP-9-6	HZV5-90756-000.	F-4-25	HZW1-87706-003	F-15-1-32	HZW4-90306-003	F-10-18
HZV5-36129-822.	F-11-20-9	HZV5-90756-000.	F-4-1-28	HZW1-87707-003	F-15-1-32	HZW4-90401-000	F-15-57
HZV5-36136-821.	F-11-20-10	HZV5-90758-000.	F-3-10-22	HZW1-90013-000	E-13-10	HZW4-90401-000	FOP-9-16
HZV5-36180-033.	F-15-42	HZV5-90758-000.	F-5-20	HZW1-90013-000	E-18-10-43	HZW4-90402-000	F-15-58
HZV5-36180-033.	F-15-2-38	HZV5-90772-000.	F-15-65	HZW1-90013-000	F-8-17	HZW4-90501-000	F-3-30-23
HZV5-36180-033.	FOP-3-14	HZV5-91053-003.	F-5-22	HZW1-90014-000	E-14-15	HZW4-90502-H02	FOP-8-96
HZV5-36180-033.	FOP-3-1-8	HZV5-91054-003.	F-4-27	HZW1-90104-900	F-3-11-13	HZW4-90504-H01	FOP-8-99
HZV5-38410-003.	F-15-47	HZV5-91151-000.	F-15-67	HZW1-90136-003	F-15-1-33	HZW4-90651-000	F-11-31
HZV5-38410-003.	F-15-2-42	HZV5-91203-821.	F-11-20-45	HZW1-90137-003	F-15-1-34	HZW4-90921-H11	F-11-20-44
HZV5-38410-003.	FOP-3-20	HZV5-91256-003.	F-11-34	HZW1-90138-003	F-15-1-35	HZW4-91051-H02	FOP-8-101
HZV5-38410-003.	FOP-3-1-13	HZV5-91302-821.	F-11-20-47	HZW1-90139-003	F-15-1-36	HZW4-91052-H01	FOP-8-102
HZV5-40102-000.	E-18-10-40	HZV5-91304-821.	F-11-20-48	HZW1-90140-003	F-15-1-37	HZW4-91252-003	F-3-10-24
HZV5-40102-000.	F-7-30-2	HZV5-91311-822.	F-11-20-49	HZW1-90142-003	F-15-1-38	HZW4-91252-003	F-5-24
HZV5-40102-000.	F-8-4	HZV5-91318-822.	F-11-20-50	HZW1-90143-003	F-15-1-39	HZW4-91301-003	F-3-10-26
HZV5-40102-000.	F-8-10-3	HZV5-91352-000.	F-10-25	HZW1-90145-003	F-15-1-40	HZW4-91301-003	F-3-10-27
HZV5-40204-000.	F-3-5	HZV5-91553-010.	E-18-10-48	HZW1-90203-000	F-7-8	HZW4-91301-003	F-3-11-29
HZV5-41116-000.	F-4-15	HZV5-91553-010.	E-20-10-10	HZW1-90203-000	F-7-10-15	HZW4-91301-003	F-3-11-30
HZV5-41172-000.	F-13-5	HZV5-91553-010.	F-7-20-25	HZW1-90242-000	F-4-1-21	HZW4-91351-H11	F-11-20-51
HZV5-41172-000.	FOP-9-7	HZV5-91553-010.	F-7-30-4	HZW1-90301-B00	F-5-1-14	HZW4-91352-H11	F-11-20-52
HZV5-50335-000.	F-10-6	HZV5-91553-010.	F-8-28	HZW1-90303-B03	F-4-1-22	HZW4-91355-H11	F-11-20-55
HZV5-50342-300.	F-10-8	HZV5-91556-000.	F-10-26	HZW1-90314-003	F-15-1-41	HZW4-91356-H11	F-11-20-57
HZV5-50515-000.	F-11-10	HZV5-91556-000.	F-10-26	HZW1-90508-B00	F-5-1-16	HZW4-91357-H11	F-11-20-58
HZV5-50522-000.	F-11-11	HZV5-91560-000.	F-11-36	HZW1-90518-B00	F-4-1-26	HZW4-91359-H11	F-11-20-60
HZV5-50527-000.	F-11-12	HZV5-91567-000.	F-15-69	HZW1-90519-B00	F-4-1-26	HZW4-91552-H00	FOP-8-26
HZV5-56118-820.	F-10-11	HZV5-91570-000.	F-15-70	HZW1-90520-B00	F-4-1-26	HZW5-06241-U00	FOP-4-2
HZV5-56512-000.	F-11-20-33	HZW7-90951-010.	F-11-33	HZW1-90521-B00	F-4-1-26	HZW5-06241-U10	FOP-4-2-2
HZV5-56513-000.	F-10-12	HZW1-12217-010	E-2-3	HZW1-90528-B00	F-5-1-17	HZW5-06900-U00	FOP-7-1
HZV5-56532-000.	F-11-20-35	HZW1-17736-000	F-15-1	HZW1-90529-B00	F-5-1-17	HZW5-16081-010	E-18-10-19
HZV5-56532-000.	F-11-20-35	HZW1-17736-000	F-15-2-76	HZW1-90530-B00	F-5-1-17	HZW5-16733-000	E-14-4
HZV5-58151-000.	F-5-13	HZW1-19242-B00	F-4-1-8	HZW1-90531-B00	F-5-1-17	HZW5-24810-U01	FOP-4-3
HZV5-90001-791.	F-11-20-38	HZW1-19242-B00	FOP-1-9	HZW1-90551-003	F-15-1-42	HZW5-24810-U01	FOP-4-2-3
HZV5-90010-000.	F-4-1-19	HZW1-19286-B00	F-3-11-2	HZW1-90552-003	F-15-1-43	HZW5-24810-U11	FOP-4-2-4
HZV5-90010-000.	FOP-1-11	HZW1-24102-B00	F-5-1-2	HZW1-90559-000	F-3-26	HZW5-24811-U01	FOP-4-4
HZV5-90012-013.	E-3-16	HZW1-24103-B00	F-5-1-3	HZW1-90653-003	F-15-1-44	HZW5-24811-U01	FOP-4-2-5
HZV5-90108-000.	F-10-14	HZW1-24210-010	F-2-9	HZW1-90753-003	F-15-1-45	HZW5-24812-U01	FOP-4-5
HZV5-90115-000.	F-3-11-14	HZW1-24320-B00	F-4-11	HZW1-90758-B00	F-3-11-26	HZW5-24812-U01	FOP-4-2-6

HZW5-24813-U01	FOP-4-6	HZW7-24832-U01	FOP-4-4-14	HZY3-35673-003	E-3-13	HZY6-56118-000	FOP-9-12
HZW5-24813-U01	FOP-4-2-7	HZW7-24833-U01	FOP-4-4-15	HZY3-38216-003	F-7-20-12	HZY6-90023-000	E-19-10
HZW5-24813-U21	FOP-4-2-8	HZW7-32530-U00	FOP-4-19	HZY3-40119-003	F-8-10-6	HZY6-90043-000	F-3-30-19
HZW5-24814-U01	FOP-4-7	HZW7-32530-U00	FOP-4-2-20	HZY3-40219-023	F-3-7	HZY6-90105-000	F-5-14
HZW5-24814-U01	FOP-4-2-9	HZW7-32530-U10	FOP-4-2-21	HZY3-40219-023	F-11-20-11	HZY6-90116-000	F-4-20
HZW5-24815-U01	FOP-4-8	HZW7-32530-U20	FOP-4-4-16	HZY3-50209-A00	FOP-9-8	HZY6-90116-000	FOP-1-12
HZW5-24816-U01	FOP-4-9	HZW7-35370-U02	FOP-4-4-17	HZY3-63205-000	F-2-19	HZY6-90123-000	F-3-11-16
HZW5-24816-U01	FOP-4-2-10	HZW7-87703-U00	FOP-4-4-19	HZY3-90015-000	F-3-10-9	HZY6-90123-000	F-5-1-13
HZW5-24816-U01	FOP-4-4-8	HZW7-90101-U01	FOP-4-4-21	HZY3-90016-000	E-3-19	HZY6-90301-000	F-8-23
HZW5-24817-U01	FOP-4-10	HZW7-90102-U01	FOP-4-4-22	HZY3-90016-000	E-19-7	HZY6-90302-003	FOP-3-2-16
HZW5-24817-U01	FOP-4-2-11	HZW7-90103-U01	FOP-4-4-23	HZY3-90017-000	E-2-33	HZY6-90302-003	FOP-3-3-16
HZW5-24818-U01	FOP-4-11	HZW7-90104-U01	FOP-4-4-24	HZY3-90017-000	E-3-20	HZY6-90302-003	FOP-3-4-16
HZW5-24818-U01	FOP-4-2-12	HZW7-90301-U01	FOP-4-4-25	HZY3-90017-000	E-19-9	HZY6-90651-000	F-3-30-27
HZW5-24819-U01	FOP-4-12	HZW7-90502-U00	FOP-4-4-27	HZY3-90017-000	F-2-21	HZY6-91552-000	F-4-33
HZW5-24819-U01	FOP-4-2-13	HZW9-19279-010	F-3-30-12	HZY3-90021-000	E-3-21	HZY6-91552-000	F-4-1-36
HZW5-24825-U01	FOP-4-14	HZW9-19291-000	F-3-30-13	HZY3-90021-000	E-18-10-44	HZY6-91552-000	FOP-1-18
HZW5-24825-U01	FOP-4-2-15	HZW9-19297-000	F-3-30-14	HZY3-90021-000	F-7-20-22	HZY6-91553-000	F-8-29
HZW5-24826-U01	FOP-4-15	HZW9-19300-003	E-2-19	HZY3-90029-000	E-14-16	HZY6-91553-000	F-8-10-22
HZW5-24826-U01	FOP-4-2-16	HZW9-19303-003	E-2-49	HZY3-90030-000	E-2-35	HZY9-14430-000	E-9-6
HZW5-24826-U01	FOP-4-4-10	HZW9-19315-000	E-2-20	HZY3-90030-000	E-3-22	HZY9-14441-000	E-9-7
HZW5-24831-U01	FOP-4-16	HZW9-19317-000	E-2-21	HZY3-90031-000	E-14-17	HZY9-14442-000	E-9-8
HZW5-24831-U01	FOP-4-2-17	HZW9-28462-003	F-13-2	HZY3-90035-000	E-3-23	HZY9-14751-003	E-9-15
HZW5-24831-U01	FOP-4-4-12	HZW9-50212-003	FOP-8-4	HZY3-90036-000	E-14-18	HZY9-14752-003	E-9-16
HZW5-24832-U01	FOP-4-17	HZW9-50219-010	FOP-8-6	HZY3-90056-000	E-14-19	HZY9-16081-003	E-18-10-20
HZW5-24832-U01	FOP-4-2-18	HZW9-53130-000	FOP-8-79	HZY3-90056-000	F-2-23	HZY9-16196-000	E-18-3
HZW5-24832-U01	FOP-4-4-13	HZW9-53133-000	FOP-8-83	HZY3-90063-000	E-2-36	HZY9-16721-003	E-18-10-28
HZW5-24834-U01	FOP-4-18	HZW9-63718-000	F-8-11	HZY3-90103-000	F-3-10-11	HZY9-16896-003	E-14-6
HZW5-24834-U21	FOP-4-2-19	HZW9-87133-500	F-12-7	HZY3-90103-000	FOP-8-15	HZY9-16896-003	E-18-16
HZW5-32167-650	F-15-1-27	HZW9-87511-000	FOP-8-28	HZY3-90107-000	F-7-10-14	HZY9-16896-003	F-7-20-2
HZW5-35370-U02	FOP-4-20	HZW9-87532-640	FOP-8-29	HZY3-90111-000	F-8-20	HZY9-17877-000	F-2-5
HZW5-35370-U02	FOP-4-2-22	HZW9-87702-800	F-15-50	HZY3-90111-000	F-8-10-18	HZY9-17878-000	F-2-6
HZW5-35370-U12	FOP-4-2-23	HZW9-90003-000	E-2-28	HZY3-90117-000	F-11-19	HZY9-24221-000	F-2-10
HZW5-90018-000	E-2-34	HZW9-90008-000	F-15-51	HZY3-90120-000	F-3-10-13	HZY9-24612-000	F-2-11
HZW5-90021-U00	FOP-7-2	HZW9-90009-000	F-10-13	HZY3-90120-000	F-3-11-15	HZY9-24614-000	F-2-12
HZW5-90023-000	F-2-22	HZW9-90011-000	E-3-15	HZY3-90132-000	F-8-10-19	HZY9-24618-000	F-2-14
HZW5-90101-U00	FOP-4-22	HZW9-90011-000	E-18-22	HZY3-90133-000	F-3-11-17	HZY9-24628-000	F-2-16
HZW5-90101-U00	FOP-4-2-25	HZW9-90011-000	F-7-20-19	HZY3-90205-000	E-14-21	HZY9-30419-003	E-20-10-1
HZW5-90101-U00	FOP-4-4-20	HZW9-90013-000	E-3-17	HZY3-90405-000	F-7-10-17	HZY9-30419-003	F-7-20-4
HZW5-90102-U00	FOP-4-23	HZW9-90013-000	F-7-7	HZY3-90508-000	F-2-26	HZY9-35645-000	F-8-3
HZW5-90102-U00	FOP-4-2-26	HZW9-90013-000	F-7-20-20	HZY3-90751-000	F-2-33	HZY9-35695-003	E-2-27
HZW5-90103-U01	FOP-4-24	HZW9-90014-000	F-7-20-21	HZY3-91254-003	F-3-10-25	HZY9-36104-003	F-11-20-4
HZW5-90103-U01	FOP-4-2-27	HZW9-90014-000	F-8-10-15	HZY3-91254-003	F-3-11-28	HZY9-37210-A02	FOP-8-46
HZW5-90104-U00	FOP-4-25	HZW9-90016-000	E-19-6	HZY3-91254-003	F-4-29	HZY9-38400-A00	FOP-8-47
HZW5-90104-U00	FOP-4-2-28	HZW9-90101-003	F-3-10-10	HZY3-91254-003	F-4-1-32	HZY9-38402-A00	FOP-8-48
HZW5-90105-U01	FOP-4-26	HZW9-90101-003	F-3-11-11	HZY3-91255-003	F-2-37	HZY9-38410-A01	FOP-3-2-12
HZW5-90105-U01	FOP-4-2-29	HZW9-90102-000	F-4-1-20	HZY3-91556-000	F-3-11-33	HZY9-38410-A01	FOP-3-3-12
HZW5-90106-U00	FOP-4-27	HZW9-90102-000	FOP-8-14	HZY6-06323-R00	FOP-3-2-1	HZY9-38410-A01	FOP-3-4-12
HZW5-90106-U00	FOP-4-2-30	HZW9-90102-000	FOP-9-13	HZY6-06323-R10	FOP-3-3-1	HZY9-38553-003	F-7-20-15
HZW5-90107-U00	FOP-4-28	HZW9-90103-010	F-3-13	HZY6-06323-R20	FOP-3-4-1	HZY9-41101-H00ZB	F-3-11-3
HZW5-90107-U00	FOP-4-2-31	HZW9-90105-000	E-20-2	HZY6-16016-003	E-15-1	HZY9-53232-A00	FOP-8-8
HZW5-90108-U00	FOP-4-2-32	HZW9-90105-000	F-3-14	HZY6-16723-003	E-18-10-29	HZY9-63232-010	F-8-7
HZW5-90109-000	FOP-3-22	HZW9-90105-000	F-3-30-21	HZY6-17845-000	F-2-3	HZY9-63232-010	F-8-10-12
HZW5-90109-000	FOP-3-1-15	HZW9-90105-000	F-4-18	HZY6-17931-000	F-2-7	HZY9-63237-000	F-8-8
HZW5-90109-000	FOP-3-2-14	HZW9-90154-000	F-11-20	HZY6-19289-000	F-8-1	HZY9-63237-000	F-8-10-13
HZW5-90109-000	FOP-3-3-14	HZW9-90162-000	FOP-8-17	HZY6-32340-R01	FOP-3-2-19	HZY9-82873-000	F-8-15
HZW5-90109-000	FOP-3-4-14	HZW9-90305-000	FOP-8-19	HZY6-32340-R11	FOP-3-3-19	HZY9-82874-000	F-8-16
HZW5-90301-U00	FOP-4-29	HZW9-90517-000	F-2-29	HZY6-32340-R21	FOP-3-4-19	HZY9-87117-000	F-12-2
HZW5-90301-U00	FOP-4-2-33	HZW9-90517-000	FOP-8-23	HZY6-32346-R01	FOP-3-2-2	HZY9-90102-000	F-3-12
HZW5-90302-U21	FOP-4-2-34	HZW9-91303-000	E-2-44	HZY6-32346-R11	FOP-3-3-2	HZY9-90103-000	F-8-18
HZW5-90501-000	F-2-25	HZY1-53549-871	F-11-20-12	HZY6-32346-R21	FOP-3-4-2	HZY9-90104-000	F-8-10-16
HZW5-90501-U00	FOP-4-30	HZY1-56161-871	F-11-20-24	HZY6-32545-003	FOP-3-2-3	HZY9-90113-003	F-8-21
HZW5-90501-U00	FOP-4-2-35	HZY1-90205-000	F-3-10-15	HZY6-32545-003	FOP-3-3-3	HZY9-90201-000	E-3-24
HZW5-90501-U00	FOP-4-4-26	HZY1-90205-000	F-3-11-18	HZY6-32545-003	FOP-3-4-3	HZY9-90508-000	F-2-27
HZW5-90502-U00	FOP-4-32	HZY1-90650-003	FOP-2-4-5	HZY6-32606-000	FOP-3-2-4	HZY9-90509-000	F-2-28
HZW5-90502-U00	FOP-4-2-37	HZY3-14515-000	E-13-7	HZY6-32606-000	FOP-3-3-4	HZY9-90651-000	F-2-31
HZW5-90503-U00	FOP-4-33	HZY3-15113-000	F-3-30-2	HZY6-32606-000	FOP-3-4-4	HZY9-90751-000	F-8-26
HZW5-90503-U00	FOP-4-2-38	HZY3-16011-A01	E-18-10-1	HZY6-35100-R01	FOP-3-2-7	HZY9-90754-000	F-8-10-21
HZW5-90511-U00	FOP-7-3	HZY3-16024-000	E-18-10-5	HZY6-35100-R01	FOP-3-3-7	HZY9-90755-000	F-8-27
HZW5-90512-U00	FOP-7-4	HZY3-16026-000	E-18-10-6	HZY6-35100-R01	FOP-3-4-7	HZY9-90951-A01	FOP-8-100
HZW5-90606-030	E-2-39	HZY3-16082-000	E-18-10-21	HZY6-36135-003	E-18-20	HZY9-91553-000	F-8-10-23
HZW5-90652-003	E-18-25	HZY3-16083-000	E-18-10-22	HZY6-36180-003	FOP-3-2-8	HZY9-91554-000	F-8-30
HZW5-91054-003	F-5-1-21	HZY3-16752-000	E-18-10-34	HZY6-36180-612	FOP-3-4-8	HZY9-91554-000	F-8-10-25
HZW5-91251-003	F-2-36	HZY3-16752-A00	E-14-5	HZY6-36180-712	FOP-3-3-8	HZZO-19241-000	F-4-1-7
HZW6-87124-U00	FOP-8-10	HZY3-19270-000	F-3-30-8	HZY6-36182-003	FOP-3-2-9	HZZO-24124-000	F-5-1-7
HZW6-90751-000	F-10-24	HZY3-19271-000	F-3-30-9	HZY6-36182-003	FOP-3-3-9	HZZO-24310-000	F-4-1-11
HZW6-90752-000	F-11-32	HZY3-19272-000	F-3-30-10	HZY6-36182-003	FOP-3-4-9	HZZO-41101-000ZD	F-3-11-3
HZW7-24810-U01	FOP-4-4-2	HZY3-23173-010	F-3-30-15	HZY6-36187-003	FOP-3-2-10	HZZO-41102-000	F-3-11-5
HZW7-24811-U01	FOP-4-4-3	HZY3-24318-000	F-4-10	HZY6-36187-003	FOP-3-3-10	HZZO-41103-000	F-3-11-6
HZW7-24812-U01	FOP-4-4-4	HZY3-24318-000	F-4-1-12	HZY6-36187-003	FOP-3-4-10	HZZO-41104-010	F-3-11-7
HZW7-24813-U01	FOP-4-4-5	HZY3-24618-000	F-2-13	HZY6-36551-003	E-14-12	HZZO-41105-010	F-3-11-8
HZW7-24814-U01	FOP-4-4-6	HZY3-24619-000	F-2-15	HZY6-38414-003	FOP-3-2-13	HZZO-41107-000ZD	F-3-11-9
HZW7-24815-U01	FOP-4-4-7	HZY3-31106-003	F-11-20-2	HZY6-38414-003	FOP-3-3-13	HZZO-58130-D81ZB	FOP-6-1
HZW7-24817-U01	FOP-4-4-9	HZY3-35673-003	E-2-26	HZY6-38414-003	FOP-3-4-13	HZZO-90101-000	F-3-11-12

HZZ0-90506-C00	...	F-5-1-15	HZZ3-18330-000	...	E-6-6	HZZ3-31630-A01	...	E-19-1	HZZ3-50101-000	...	F-11-1
HZZ3-06115-000	...	FOP-1-1	HZZ3-18333-000	...	E-6-7	HZZ3-31631-003	...	E-19-2	HZZ3-50111-000	...	F-3-8
HZZ3-06125-000	...	F-3-10-1	HZZ3-18334-000	...	F-3-1	HZZ3-31632-003	...	E-19-3	HZZ3-50151-000	...	F-3-30-16
HZZ3-06125-E00	...	F-3-11-1	HZZ3-18337-000	...	F-3-2	HZZ3-31632-A01	...	E-19-3	HZZ3-50155-000	...	F-3-9
HZZ3-06193-010	...	FOP-1-1	HZZ3-19221-000	...	F-4-2	HZZ3-31636-000	...	E-19-4	HZZ3-50161-000ZE	...	F-11-2
HZZ3-06194-000	...	FOP-1-1	HZZ3-19221-000	...	F-4-1-2	HZZ3-31750-003	...	E-3-8	HZZ3-50166-000	...	F-3-30-17
HZZ3-06240-R30	...	FOP-4-1	HZZ3-19221-000	...	FOP-1-3	HZZ3-31752-000	...	E-3-9	HZZ3-50201-000ZC	...	F-11-3
HZZ3-06240-R40	...	FOP-4-4-1	HZZ3-19223-000	...	F-4-3	HZZ3-31754-000	...	E-3-10	HZZ3-50218-000	...	FOP-8-5
HZZ3-06240-R60	...	FOP-4-2-1	HZZ3-19223-000	...	F-4-1-3	HZZ3-31756-000	...	E-3-11	HZZ3-50222-000	...	FOP-9-9
HZZ3-06323-R20	...	FOP-3-1	HZZ3-19223-000	...	FOP-1-4	HZZ3-31908-003	...	E-2-24	HZZ3-50223-000	...	FOP-9-10
HZZ3-06323-R30	...	FOP-3-1-1	HZZ3-19228-000	...	F-4-4	HZZ3-32100-020	...	F-7-1	HZZ3-50224-000	...	FOP-9-11
HZZ3-06357-000	...	FOP-9-1	HZZ3-19228-000	...	F-4-1-4	HZZ3-32101-000	...	F-7-20-6	HZZ3-50301-010ZC	...	F-10-3
HZZ3-06411-000	...	FOP-9-2	HZZ3-19228-000	...	FOP-1-5	HZZ3-32102-000	...	F-7-20-7	HZZ3-50311-000ZC	...	F-10-4
HZZ3-06531-000	...	FOP-8-10-1	HZZ3-19231-000	...	F-4-5	HZZ3-32127-000	...	F-7-2	HZZ3-50380-000	...	F-10-10
HZZ3-06533-R00ZA	...	FOP-8-1	HZZ3-19231-000	...	F-4-1-5	HZZ3-32186-000	...	FOP-2-4-2	HZZ3-50417-000	...	F-11-9
HZZ3-11106-300	...	E-3-1	HZZ3-19231-000	...	FOP-1-6	HZZ3-32341-R31	...	FOP-3-5	HZZ3-50529-000	...	F-11-13
HZZ3-11320-000ZA	...	E-6-1	HZZ3-19234-000	...	F-4-6	HZZ3-32346-R21	...	FOP-3-6	HZZ3-53101-A41ZD	...	FOP-8-49
HZZ3-11381-003	...	E-6-2	HZZ3-19234-000	...	FOP-1-7	HZZ3-32346-R31	...	FOP-3-1-3	HZZ3-53102-A41	...	FOP-8-50
HZZ3-11911-000	...	E-3-3	HZZ3-19234-E00	...	F-4-1-6	HZZ3-32347-R01	...	FOP-3-7	HZZ3-53103-A41	...	FOP-8-51
HZZ3-12000-405ZA	...	E-3-4	HZZ3-19234-E00	...	FOP-1-8	HZZ3-32410-000	...	F-7-10-3	HZZ3-53104-A41	...	FOP-8-52
HZZ3-12109-000	...	E-3-5	HZZ3-19251-000	...	F-4-7	HZZ3-32411-000	...	F-7-10-4	HZZ3-53105-A41	...	FOP-8-53
HZZ3-12166-000	...	F-3-30-1	HZZ3-19251-E00	...	F-4-1-9	HZZ3-32538-A41	...	FOP-8-35	HZZ3-53106-A41	...	FOP-8-54
HZZ3-12210-000ZA	...	E-2-2	HZZ3-19253-000	...	F-4-8	HZZ3-32581-000	...	F-8-10-1	HZZ3-53108-A41	...	FOP-8-55
HZZ3-12241-000	...	E-2-4	HZZ3-19253-000	...	F-4-1-10	HZZ3-32766-003	...	E-20-10-8	HZZ3-53109-A41	...	FOP-8-56
HZZ3-12251-003	...	E-2-5	HZZ3-19253-000	...	FOP-1-10	HZZ3-34750-043	...	E-20-1	HZZ3-53110-A41	...	FOP-8-57
HZZ3-12310-000	...	E-2-6	HZZ3-19255-000	...	F-3-30-5	HZZ3-35100-R01	...	FOP-8-39	HZZ3-53111-A41	...	FOP-8-58
HZZ3-12312-000	...	E-2-7	HZZ3-19256-000	...	F-3-30-6	HZZ3-35100-R11	...	F-15-39	HZZ3-53112-A41	...	FOP-8-59
HZZ3-12357-000	...	E-15-10-1	HZZ3-19257-000	...	F-3-30-7	HZZ3-35100-R11	...	F-15-2-33	HZZ3-53113-A41	...	FOP-8-61
HZZ3-12359-000	...	E-15-10-2	HZZ3-19277-000	...	F-3-30-11	HZZ3-35100-R11	...	FOP-3-13	HZZ3-53114-A41	...	FOP-8-62
HZZ3-13010-010	...	E-7-1	HZZ3-19286-000	...	F-3-10-2	HZZ3-35100-R11	...	FOP-3-1-7	HZZ3-53115-A41	...	FOP-8-64
HZZ3-13101-010	...	E-7-2	HZZ3-19361-000	...	E-2-22	HZZ3-35180-A42	...	FOP-8-41	HZZ3-53117-A41	...	FOP-8-66
HZZ3-13210-000	...	E-7-5	HZZ3-19371-010	...	E-2-23	HZZ3-35340-741	...	F-7-40-1	HZZ3-53118-A41	...	FOP-8-67
HZZ3-13311-000	...	E-7-7	HZZ3-23170-405ZA	...	E-6-9	HZZ3-35340-A42	...	FOP-8-42	HZZ3-53119-A41	...	FOP-8-68
HZZ3-13331-003	...	E-7-10	HZZ3-23172-003	...	E-6-10	HZZ3-35341-740	...	F-7-40-2	HZZ3-53120-A41	...	FOP-8-69
HZZ3-13621-000	...	E-13-1	HZZ3-24101-000	...	F-5-1	HZZ3-35342-740	...	F-7-40-3	HZZ3-53121-A41	...	FOP-8-70
HZZ3-13622-000	...	E-13-2	HZZ3-24101-E00	...	F-5-1-1	HZZ3-35343-740	...	F-7-40-4	HZZ3-53122-A41	...	FOP-8-71
HZZ3-13623-000	...	E-13-3	HZZ3-24113-000	...	F-5-4	HZZ3-35344-740	...	F-7-40-5	HZZ3-53123-A41	...	FOP-8-72
HZZ3-14110-000	...	E-9-3	HZZ3-24113-E00	...	F-5-1-4	HZZ3-35345-741	...	F-7-40-6	HZZ3-53124-A41	...	FOP-8-73
HZZ3-14221-003	...	E-9-4	HZZ3-24122-000	...	F-5-5	HZZ3-35470-023	...	F-7-20-9	HZZ3-53125-A41	...	FOP-8-74
HZZ3-14261-000	...	E-13-4	HZZ3-24122-E00	...	F-5-1-5	HZZ3-35475-000	...	F-7-20-10	HZZ3-53126-A41	...	FOP-8-75
HZZ3-14400-004	...	E-13-5	HZZ3-24123-000	...	F-5-6	HZZ3-35490-003	...	E-3-12	HZZ3-53127-A41	...	FOP-8-76
HZZ3-14510-003	...	E-13-6	HZZ3-24123-E00	...	F-5-1-6	HZZ3-35640-003	...	F-8-2	HZZ3-53128-A41	...	FOP-8-77
HZZ3-14631-000	...	E-9-9	HZZ3-24124-000	...	F-5-7	HZZ3-35640-A41	...	FOP-8-43	HZZ3-53129-A41	...	FOP-8-78
HZZ3-15100-000	...	E-5-1	HZZ3-24310-000	...	F-4-9	HZZ3-35645-000	...	F-7-20-11	HZZ3-53130-A41	...	FOP-8-80
HZZ3-15121-000	...	E-5-2	HZZ3-24343-000	...	F-4-13	HZZ3-35645-A41	...	F-15-2-36	HZZ3-53131-A41	...	FOP-8-81
HZZ3-15220-003	...	E-6-3	HZZ3-24590-A41	...	FOP-8-32	HZZ3-35645-A41	...	FOP-8-44	HZZ3-53132-A41	...	FOP-8-82
HZZ3-15223-000	...	E-6-4	HZZ3-24614-A41	...	FOP-8-33	HZZ3-35655-003	...	E-2-25	HZZ3-53141-A41	...	FOP-8-84
HZZ3-15236-000	...	E-5-5	HZZ3-24615-A41	...	FOP-8-34	HZZ3-35660-003	...	F-10-2	HZZ3-53142-A41	...	FOP-8-85
HZZ3-15422-000	...	E-2-8	HZZ3-24630-000	...	F-2-18	HZZ3-35745-742	...	FOP-9-5	HZZ3-53165-000	...	FOP-8-86
HZZ3-15655-000	...	E-6-5	HZZ3-24800-P12	...	F-15-2-1	HZZ3-36120-003	...	F-11-20-5	HZZ3-53234-000	...	F-11-14
HZZ3-16019-003	...	E-18-10-3	HZZ3-24800-R00	...	F-15-2	HZZ3-36122-003	...	F-11-20-6	HZZ3-53238-000	...	F-11-15
HZZ3-16020-003	...	E-18-10-4	HZZ3-24820-R11	...	FOP-4-13	HZZ3-37205-R01	...	FOP-3-17	HZZ3-53238-010	...	F-11-16
HZZ3-16192-000	...	E-18-2	HZZ3-24820-R21	...	FOP-4-2-14	HZZ3-38216-003	...	F-7-4	HZZ3-56000-043	...	F-11-20-13
HZZ3-16195-000	...	E-18-10-23	HZZ3-24830-R41	...	FOP-4-4-11	HZZ3-38550-003	...	F-7-20-13	HZZ3-56110-013	...	F-11-20-14
HZZ3-16196-000	...	E-18-10-24	HZZ3-30416-000	...	F-7-20-3	HZZ3-38552-000	...	F-7-20-14	HZZ3-56113-003	...	F-11-20-15
HZZ3-16197-000	...	E-18-4	HZZ3-30511-003	...	E-20-10-2	HZZ3-38553-000	...	F-7-20-16	HZZ3-56123-003	...	F-11-20-19
HZZ3-16198-000	...	E-18-5	HZZ3-30512-003	...	E-20-10-3	HZZ3-38580-003	...	F-7-5	HZZ3-56135-013	...	F-11-20-21
HZZ3-16199-000	...	E-18-6	HZZ3-30513-003	...	E-20-10-4	HZZ3-40105-000	...	F-8-10-4	HZZ3-56140-003	...	F-11-20-22
HZZ3-16400-003	...	E-15-2	HZZ3-30515-000	...	E-20-10-5	HZZ3-40155-A00	...	FOP-8-3	HZZ3-56163-003	...	F-11-20-25
HZZ3-16450-003	...	E-14-1	HZZ3-30516-000	...	E-20-10-6	HZZ3-40151-000ZC	...	F-8-10-7	HZZ3-56170-003	...	F-11-20-26
HZZ3-16700-003	...	E-2-10	HZZ3-30517-010	...	E-20-10-7	HZZ3-40154-000ZC	...	F-8-10-8	HZZ3-56180-003	...	F-11-20-27
HZZ3-16708-003	...	E-18-10-25	HZZ3-31145-000	...	F-7-30-1	HZZ3-40155-000	...	F-8-5	HZZ3-56190-003	...	F-11-20-29
HZZ3-16717-000	...	E-2-11	HZZ3-31200-003	...	E-21-1	HZZ3-40201-000ZD	...	F-3-3	HZZ3-56511-003	...	F-11-20-32
HZZ3-16730-003	...	E-18-10-30	HZZ3-31212-003	...	E-21-2	HZZ3-41100-010ZD	...	F-3-20-1	HZZ3-56850-003	...	F-11-20-65
HZZ3-16748-000	...	E-18-8	HZZ3-31213-003	...	E-21-3	HZZ3-41100-E02ZD	...	F-3-20-1	HZZ3-56851-003	...	F-11-20-36
HZZ3-16755-003	...	E-18-9	HZZ3-31214-003	...	E-21-4	HZZ3-41101-000ZD	...	F-3-10-3	HZZ3-56860-003	...	F-11-20-37
HZZ3-16816-000	...	E-18-10	HZZ3-31215-003	...	E-21-5	HZZ3-41102-000	...	F-3-10-4	HZZ3-58130-W71ZA	...	FOP-6-1
HZZ3-16850-A01	...	E-18-11	HZZ3-31216-003	...	E-21-6	HZZ3-41104-010	...	F-3-10-5	HZZ3-58130-W91ZA	...	FOP-6-1
HZZ3-16865-A00	...	E-18-12	HZZ3-31217-003	...	E-21-7	HZZ3-41105-010	...	F-3-10-6	HZZ3-63100-010ZC	...	F-8-10-10
HZZ3-16866-A00	...	E-18-13	HZZ3-31224-003	...	E-21-8	HZZ3-41112-000	...	F-4-1-16	HZZ3-63102-000	...	F-8-10-11
HZZ3-16871-A00	...	E-18-14	HZZ3-31225-003	...	E-21-9	HZZ3-41117-000	...	F-4-1-16	HZZ3-63710-000ZC	...	F-8-9
HZZ3-16895-003	...	E-18-15	HZZ3-31226-003	...	E-21-10	HZZ3-41131-000	...	F-4-1-17	HZZ3-63715-000ZC	...	F-8-10
HZZ3-16914-000	...	E-14-7	HZZ3-31231-003	...	E-21-11	HZZ3-41140-000	...	F-5-8	HZZ3-63718-000	...	F-3-30-18
HZZ3-16915-000	...	E-2-16	HZZ3-31235-003	...	E-21-12	HZZ3-41140-E00	...	F-5-1-8	HZZ3-63719-000	...	F-3-10
HZZ3-17105-000	...	E-14-8	HZZ3-31236-003	...	E-21-13	HZZ3-41151-000	...	F-5-9	HZZ3-63724-000	...	F-8-12
HZZ3-17110-003	...	E-14-10	HZZ3-31240-003	...	E-21-14	HZZ3-41151-E00	...	F-5-1-9	HZZ3-63731-000ZC	...	F-8-13
HZZ3-17201-000	...	E-15-10-4	HZZ3-31246-003	...	E-21-15	HZZ3-41160-000	...	F-5-10	HZZ3-63736-000ZC	...	F-8-14
HZZ3-17202-000	...	E-15-10-5	HZZ3-31247-003	...	E-21-16	HZZ3-41160-E00	...	F-5-1-10	HZZ3-87121-R00	...	F-12-13
HZZ3-17840-000	...	F-2-2	HZZ3-31249-003	...	E-21-17	HZZ3-41161-000	...	F-5-1-11	HZZ3-87125-R00	...	FOP-8-11
HZZ3-17860-000	...	F-2-4	HZZ3-31250-003	...	E-21-18	HZZ3-41201-000ZD	...	F-5-1-12	HZZ3-87132-R00	...	F-12-14
HZZ3-17910-A41	...	FOP-8-30	HZZ3-31258-000	...	E-21-19						
HZZ3-17931-A41	...	FOP-8-31	HZZ3-31261-003	...	E-21-20						
HZZ3-18211-000	...	F-3-30-4	HZZ3-31630-003	...	E-19-1						

HZZ3-87133-R00	F-12-15	HZZ5-16735-003	E-18-10-31	HZZ5-90106-D01	F-15-2-53
HZZ3-87136-R00	F-12-14	HZZ5-16740-003	E-18-10-32	HZZ5-90107-D01	F-15-2-54
HZZ3-87136-R00	F-12-15	HZZ5-16900-003	E-2-12	HZZ5-90108-D01	F-15-2-55
HZZ3-87301-R00	F-12-16	HZZ5-16901-003	E-2-13	HZZ5-90109-D01	F-15-2-56
HZZ3-87302-R00	F-12-16	HZZ5-16906-003	E-2-14	HZZ5-90301-D01	F-15-2-57
HZZ3-87531-000	F-12-10	HZZ5-16911-003	E-18-10-35	HZZ5-90301-M00	FOP-3-2-15
HZZ3-87546-000	F-12-12	HZZ5-16912-003	E-2-15	HZZ5-90301-M00	FOP-3-3-15
HZZ3-87701-R00	F-15-48	HZZ5-16913-003	E-18-10-36	HZZ5-90301-M00	FOP-3-4-15
HZZ3-87701-R40	FOP-4-4-18	HZZ5-16918-003	E-2-17	HZZ5-90302-D01	F-15-2-59
HZZ3-87703-R01	FOP-4-2-24	HZZ5-16919-003	E-2-18	HZZ5-90501-D01	F-15-2-60
HZZ3-87703-R81	FOP-4-2-1	HZZ5-17107-003	E-14-9	HZZ5-90501-M00	FOP-3-2-17
HZZ3-89216-000	F-13-9	HZZ5-17315-000	E-15-10-6	HZZ5-90501-M00	FOP-3-3-17
HZZ3-90001-003	E-3-14	HZZ5-17374-000	E-15-10-7	HZZ5-90501-M00	FOP-3-4-17
HZZ3-90002-000	E-6-11	HZZ5-24810-D01	F-15-2-2	HZZ5-90502-D01	F-15-2-61
HZZ3-90003-000	E-2-29	HZZ5-24811-D01	F-15-2-3	HZZ5-90502-M00	FOP-3-2-18
HZZ3-90004-000	E-2-30	HZZ5-24812-D01	F-15-2-4	HZZ5-90502-M00	FOP-3-3-18
HZZ3-90005-000	E-6-12	HZZ5-24813-D01	F-15-2-5	HZZ5-90502-M00	FOP-3-4-18
HZZ3-90006-000	E-6-13	HZZ5-24814-D01	F-15-2-6	HZZ5-90503-D01	F-15-2-62
HZZ3-90008-000	E-6-14	HZZ5-24815-D01	F-15-2-7	HZZ5-90504-D01	F-15-2-63
HZZ3-90011-000	E-2-32	HZZ5-24816-D01	F-15-2-8	HZZ5-90506-D01	F-15-2-64
HZZ3-90101-000	F-3-30-20	HZZ5-24817-D01	F-15-2-9	HZZ5-90507-D01	F-15-2-65
HZZ3-90103-000	F-3-10-12	HZZ5-24818-D01	F-15-2-10	HZZ5-90508-D01	F-15-2-66
HZZ3-90103-A41	FOP-8-87	HZZ5-24819-D01	F-15-2-11	HZZ5-90509-D01	F-15-2-67
HZZ3-90106-000	F-8-19	HZZ5-24821-D01	F-15-2-12	HZZ5-90651-D01	F-15-2-68
HZZ3-90106-000	F-8-10-17	HZZ5-24822-D01	F-15-2-13	HZZ5-91051-003	F-5-21
HZZ3-90111-A41	FOP-8-89	HZZ5-24823-D01	F-15-2-14	HZZ5-91151-D01	F-15-2-69
HZZ3-90112-A41	FOP-8-90	HZZ5-24824-D01	F-15-2-15	HZZ5-91152-D01	F-15-2-70
HZZ3-90113-A41	FOP-8-91	HZZ5-24826-D01	F-15-2-16	HZZ5-91153-D01	F-15-2-71
HZZ3-90114-A41	FOP-8-92	HZZ5-24827-D01	F-15-2-17	HZZ5-91154-D01	F-15-2-72
HZZ3-90129-000	F-10-15	HZZ5-24828-D01	F-15-2-18	HZZ5-91156-D01	F-15-2-73
HZZ3-90202-000	E-13-12	HZZ5-24828-D01	F-15-2-75	HZZ5-91157-D01	F-15-2-74
HZZ3-90302-003	F-11-20-63	HZZ5-24829-D01	F-15-2-19	HZZ5-91556-C00	F-10-26
HZZ3-90305-A41	FOP-8-94	HZZ5-24831-D01	F-15-2-20	HZZ5-91556-C00	F-10-26
HZZ3-90501-A41	FOP-8-95	HZZ5-24832-D01	F-15-2-21			
HZZ3-90502-A41	FOP-8-97	HZZ5-24833-D01	F-15-2-22			
HZZ3-90503-A41	FOP-8-98	HZZ5-24845-D01	F-15-2-23			
HZZ3-90651-003	F-3-24	HZZ5-24850-D01	F-15-2-24			
HZZ3-90752-000	F-2-34	HZZ5-24855-D01	F-15-2-25			
HZZ3-90753-000	F-2-35	HZZ5-24875-D01	F-15-2-26			
HZZ3-91052-003	F-4-26	HZZ5-24876-D01	F-15-2-27			
HZZ3-91251-003	F-3-10-23	HZZ5-24878-D01	F-15-2-28			
HZZ3-91251-003	F-4-28	HZZ5-24883-D01	F-15-2-29			
HZZ3-91252-003	F-3-11-27	HZZ5-32166-003	E-18-10-38			
HZZ3-91252-003	F-5-1-23	HZZ5-32167-003	E-18-10-39			
HZZ3-91253-003	F-4-1-31	HZZ5-32185-600	FOP-3-4			
HZZ3-91253-003	FOP-1-15	HZZ5-32185-700	FOP-3-4			
HZZ3-91254-013	F-11-20-46	HZZ5-32185-800	FOP-3-4			
HZZ3-91351-000	F-3-10-28	HZZ5-32530-000	F-15-35			
HZZ3-91351-000	F-4-30	HZZ5-32530-D01	F-15-2-30			
HZZ3-91352-000	F-3-10-29	HZZ5-32545-000	FOP-3-8			
HZZ3-91352-000	F-5-25	HZZ5-32545-000	FOP-3-1-4			
HZZ3-91353-003	F-11-20-53	HZZ5-32580-600	FOP-3-9			
HZZ3-91354-003	F-11-20-54	HZZ5-32580-700	FOP-3-9			
HZZ3-91355-003	F-11-20-56	HZZ5-32580-800	FOP-3-9			
HZZ3-91356-000	F-4-31	HZZ5-32580-D01	FOP-3-9			
HZZ3-91356-000	F-4-1-34	HZZ5-32580-D11	FOP-3-9			
HZZ3-91356-000	FOP-1-16	HZZ5-32580-D21	FOP-3-9			
HZZ3-91357-003	F-11-20-59	HZZ5-35370-D02	F-15-2-35			
HZZ3-91405-000	F-3-30-30	HZZ5-35701-D01	F-15-2-37			
HZZ3-91451-000	F-5-26	HZZ5-36550-003	E-14-11			
HZZ3-91552-000	F-2-40	HZZ5-37210-013	F-15-45			
HZZ3-91553-000	F-8-10-24	HZZ5-37210-712	FOP-3-1-11			
HZZ3-91554-000	FOP-8-10-5	HZZ5-37210-762	FOP-3-18			
HZZ3-91555-000	F-11-35	HZZ5-37210-D01	F-15-2-40			
HZZ5-06325-600	FOP-3-2	HZZ5-38414-003	FOP-3-21			
HZZ5-06325-700	FOP-3-2	HZZ5-38414-003	FOP-3-1-14			
HZZ5-06325-800	FOP-3-2	HZZ5-38586-003	F-7-6			
HZZ5-16013-003	E-18-10-2	HZZ5-41107-000ZD	F-3-10-7			
HZZ5-16041-003	E-18-10-7	HZZ5-50211-000	F-11-4			
HZZ5-16042-003	E-18-10-8	HZZ5-50340-000	F-10-7			
HZZ5-16061-003	E-18-10-9	HZZ5-53233-000ZD	FOP-8-9			
HZZ5-16063-003	E-18-10-10	HZZ5-56532-C00	F-11-20-35			
HZZ5-16064-003	E-18-10-11	HZZ5-56532-C00	F-11-20-35			
HZZ5-16066-003	E-18-10-12	HZZ5-87701-D00	F-15-2-43			
HZZ5-16072-003	E-18-10-13	HZZ5-87702-A00	F-15-2-44			
HZZ5-16073-003	E-18-10-14	HZZ5-87702-A00	F-15-2-45			
HZZ5-16074-003	E-18-10-15	HZZ5-87703-P00	F-15-2-47			
HZZ5-16075-003	E-18-10-16	HZZ5-87704-D01	F-15-2-48			
HZZ5-16076-003	E-18-10-17	HZZ5-90001-000	E-15-10-10			
HZZ5-16077-003	E-18-10-18	HZZ5-90101-D01	F-15-2-49			
HZZ5-16620-010	E-14-3	HZZ5-90102-D01	F-15-2-50			
HZZ5-16709-003	E-18-10-26	HZZ5-90103-D01	F-15-2-51			
HZZ5-16718-003	E-18-10-27	HZZ5-90104-D01	F-15-2-52			

Note

Note

Note

Note

2019 PARTS CATALOG

BFT 60A BFW 60A Models

OB No.002-14ZZ3-0AK 1812 US

TOHATSU CORPORATION

5-4, Azusawa 3-Chome, Itabashi-Ku
Tokyo 174-0051, Japan
Tel: +81-3-3966-3117 Fax: +81-3-3966-2951
www.tohatsu.com

